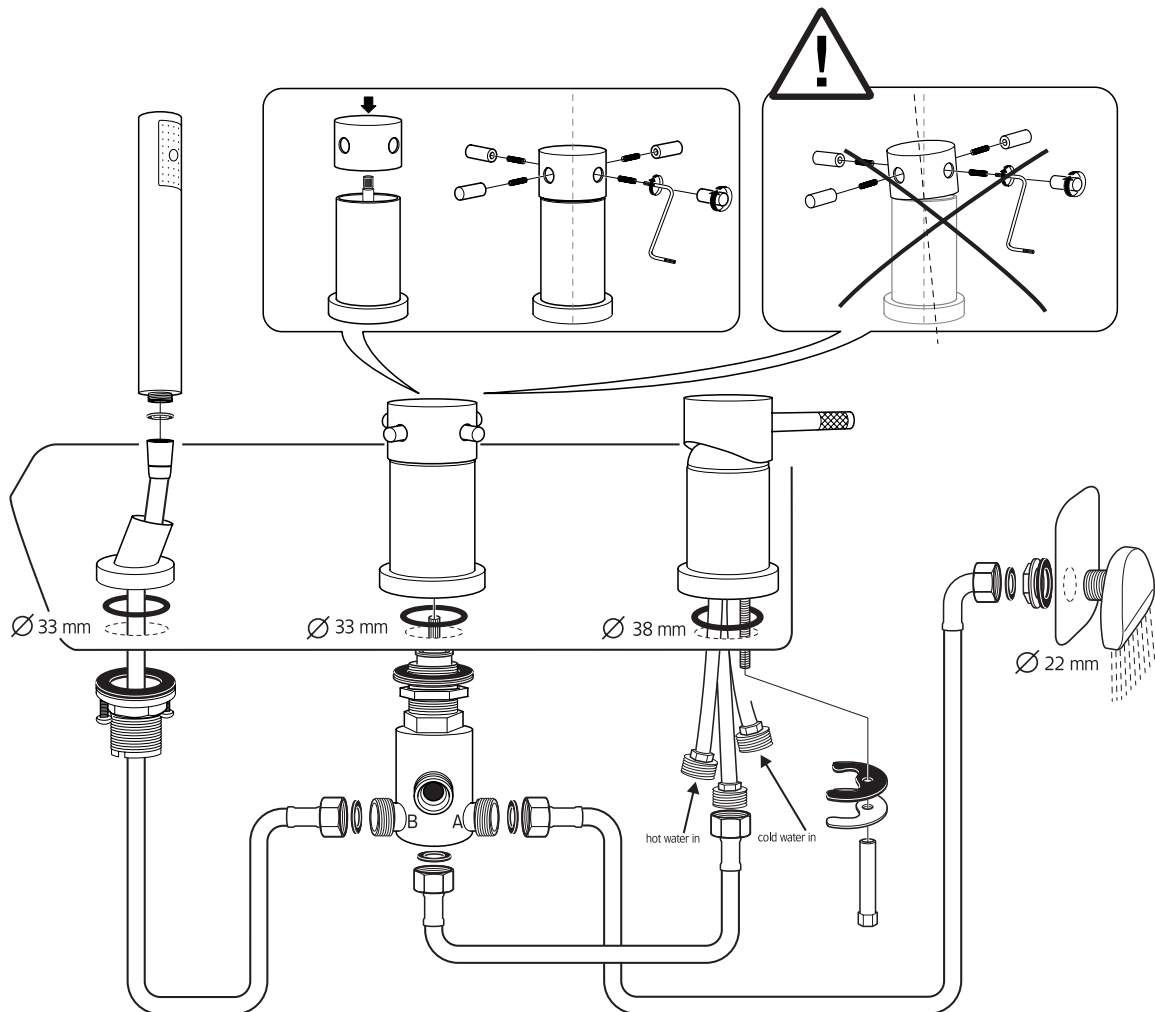


westerbergs round



200906 Art. nr. 2006 0179 Westerbergs Badrum part of Hella Bathroom Group AB.