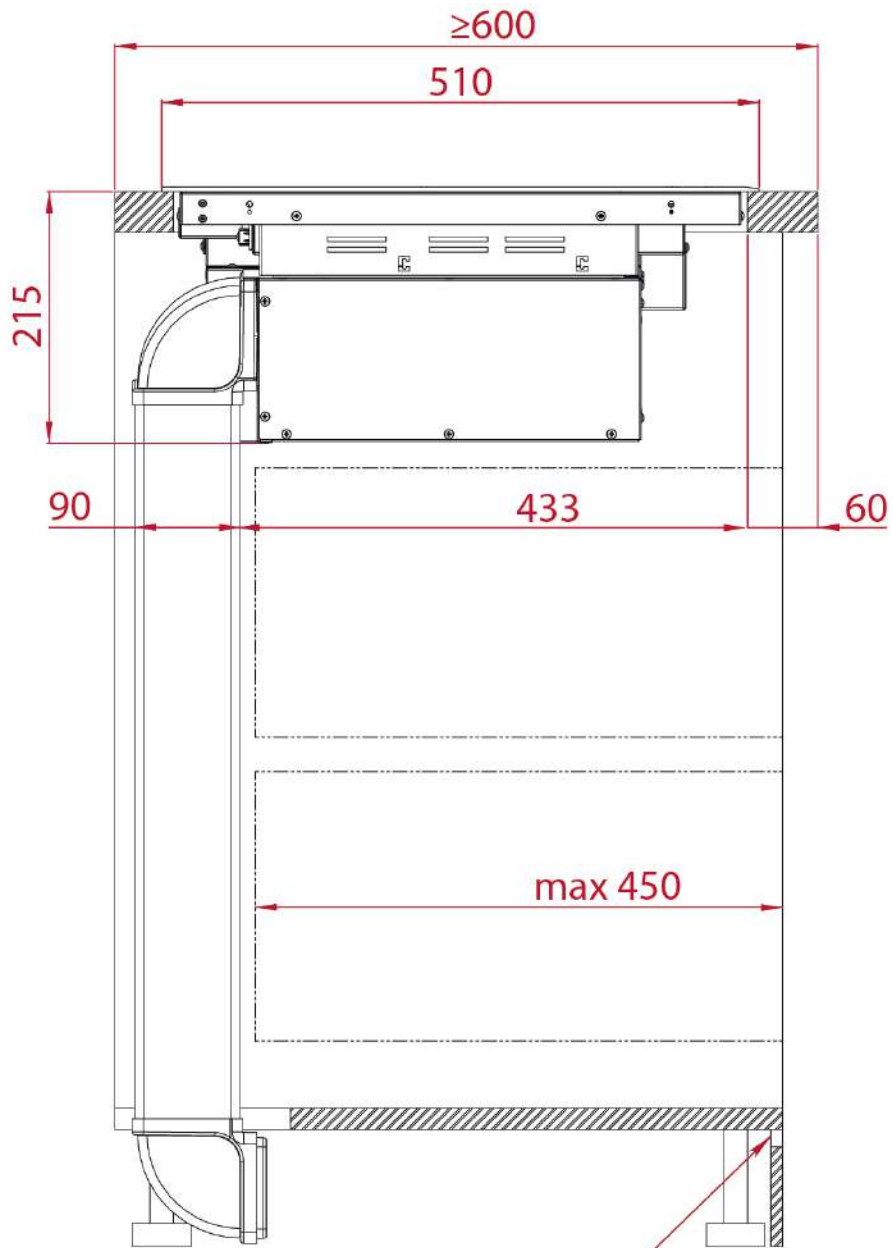


A return flow aperture of at least 500 cm<sup>2</sup> must be provided



A return flow aperture of at least  $500 \text{ cm}^2$  must be provided

