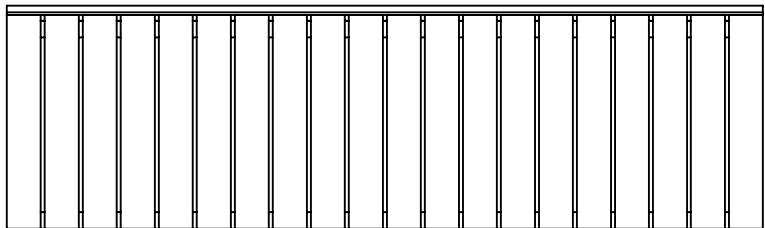


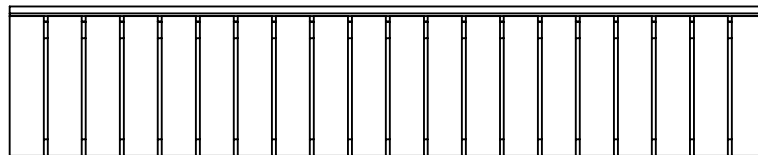


**Element 1**



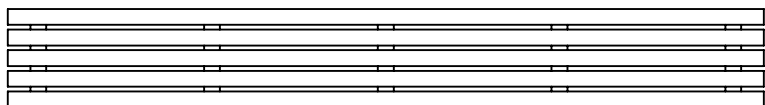
**X 1**

**Element 2**



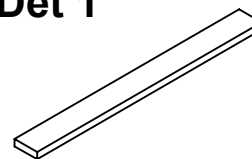
**X 1**

**Element 3**



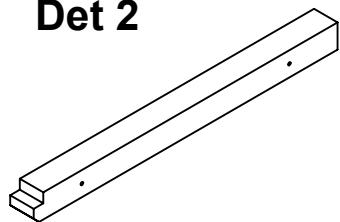
**X 2**

**Det 1**



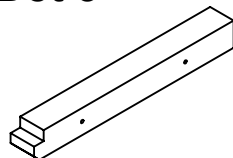
**X 3**

**Det 2**



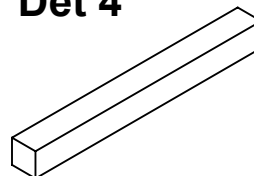
**X 2**

**Det 3**



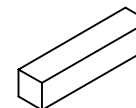
**X 2**

**Det 4**

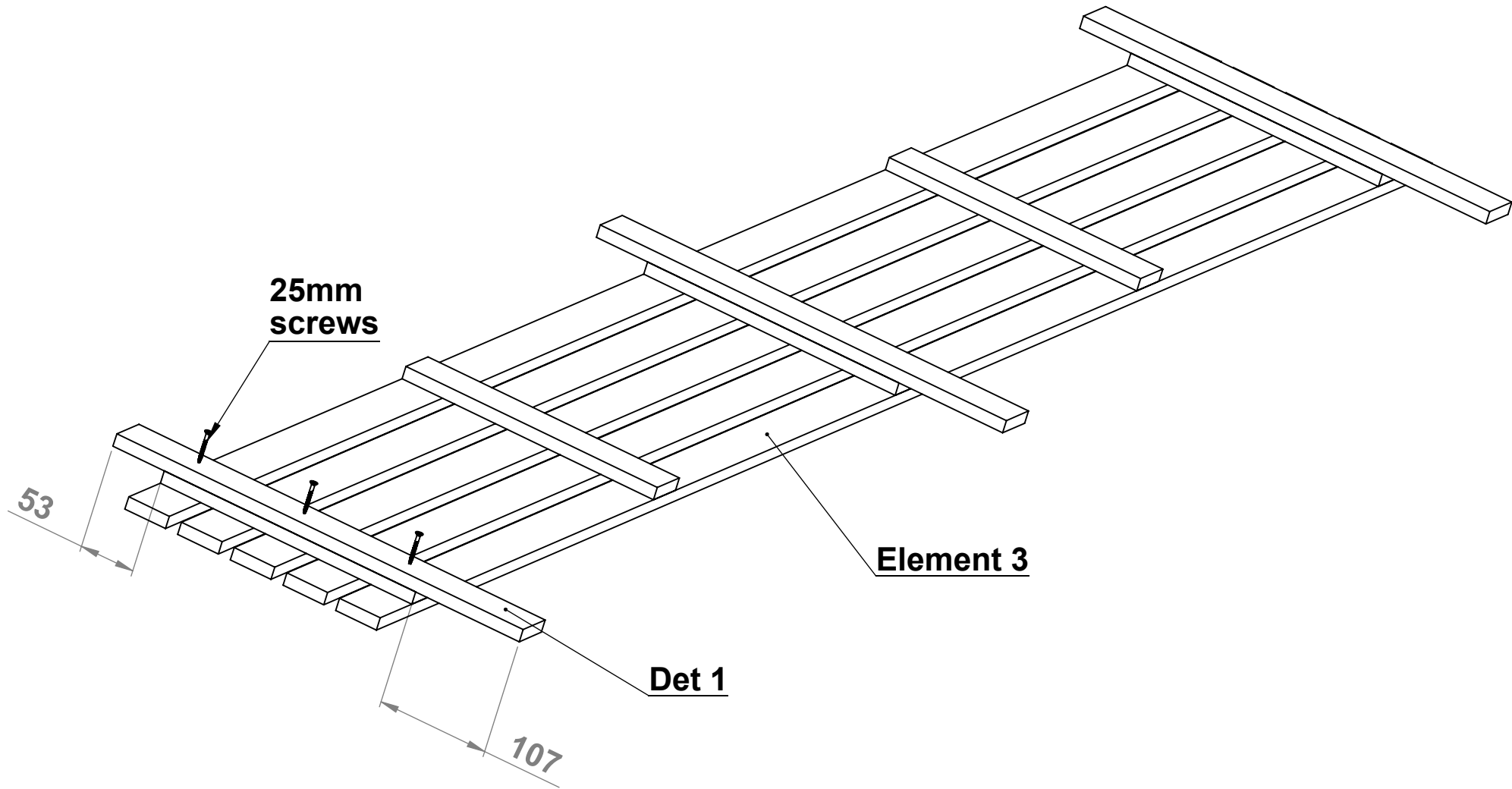


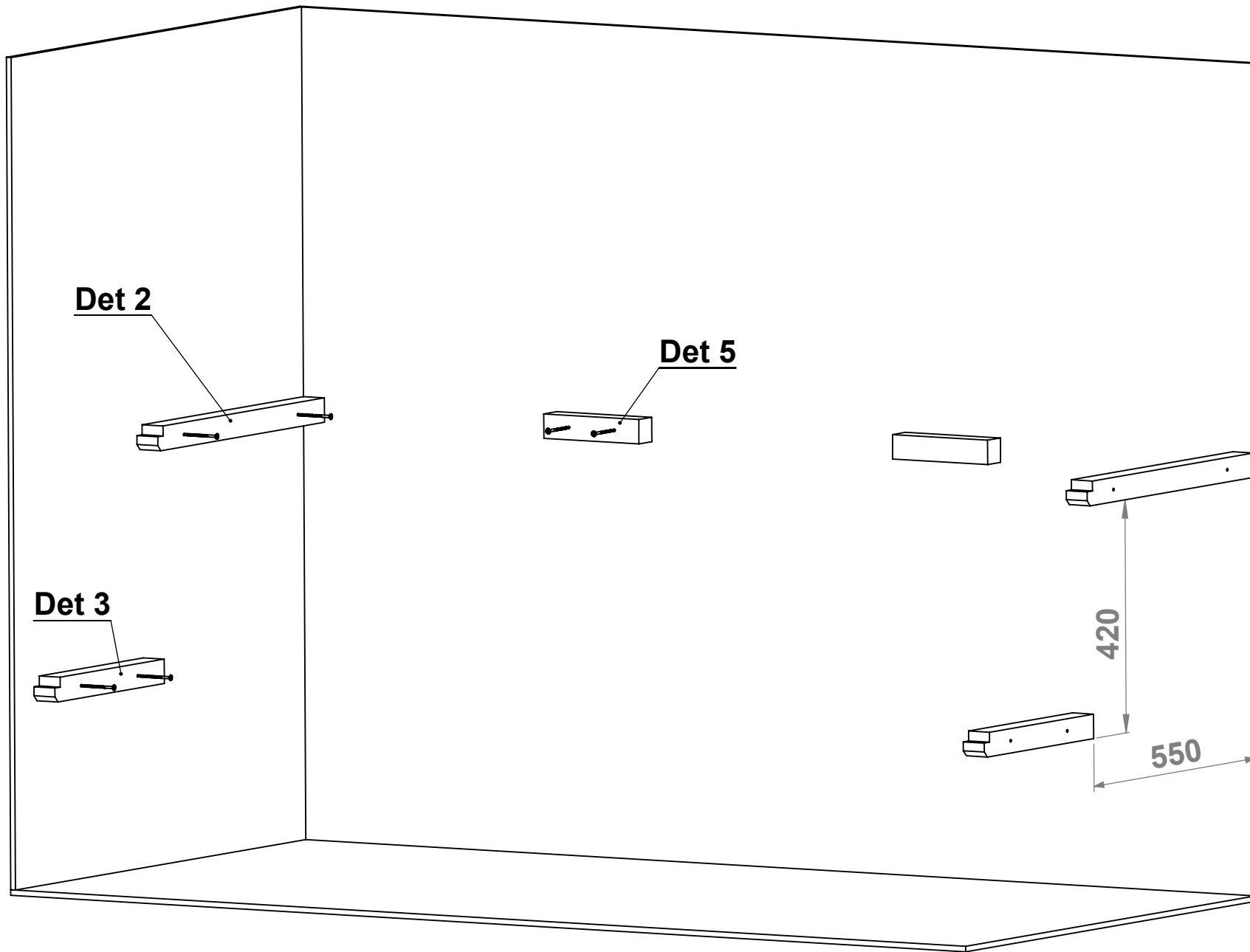
**X 1**

**Det 5**

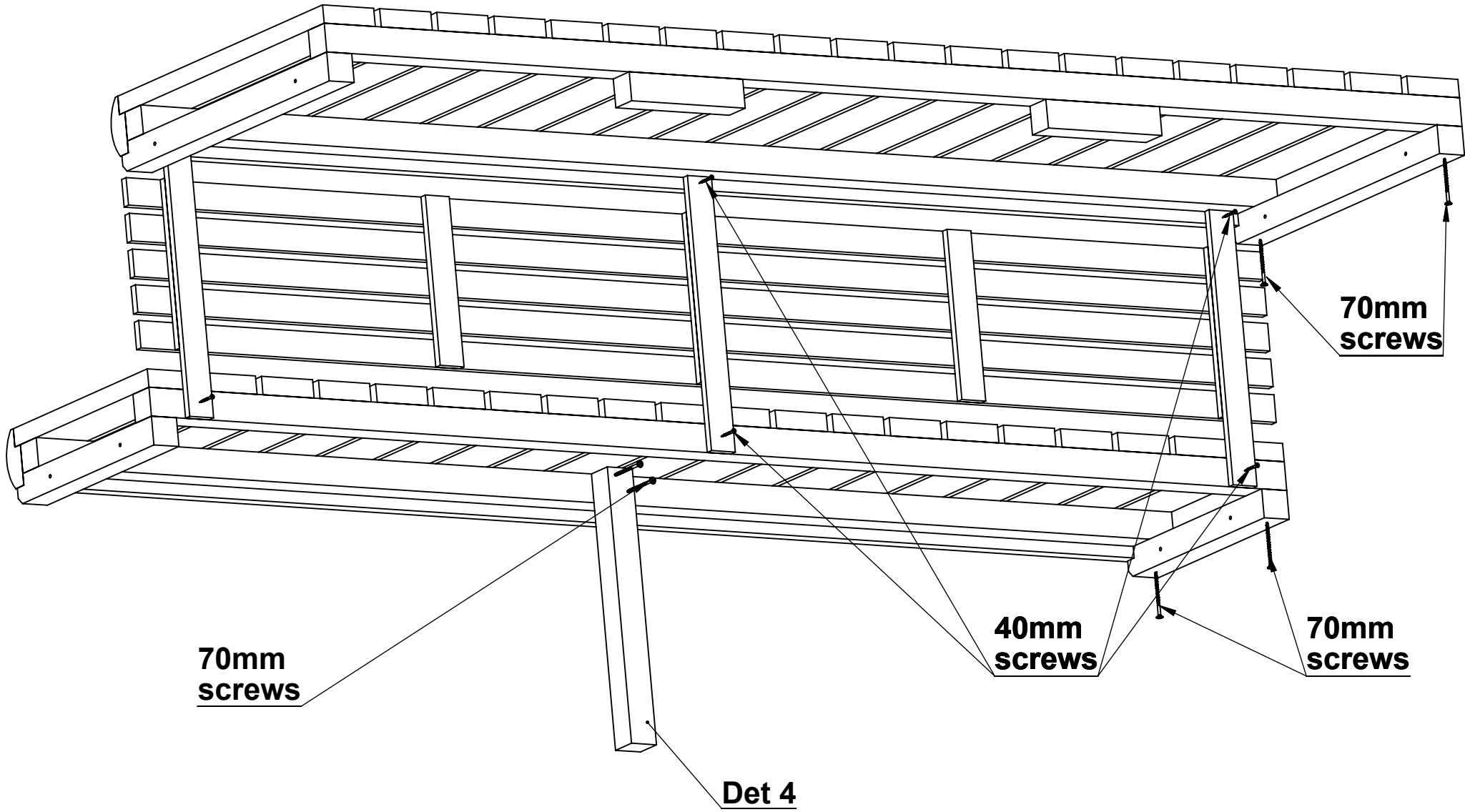


**X 2**





**NB** Drill the pilot holes  
for the screws



**Connect element 3  
to the wall**

