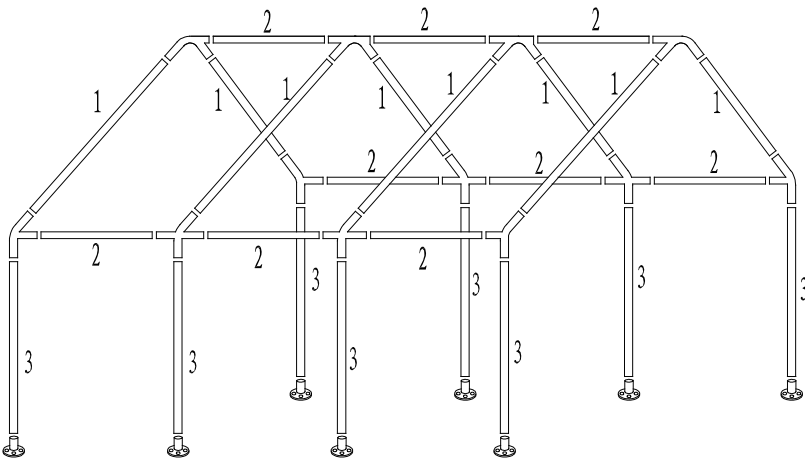


3 × 6M



| | | |
|----|--|-------|
| 1# | | 8pcs |
| 2# | | 9pcs |
| 3# | | 8pcs |
| | | 6pcs |
| | | 6pcs |
| | | 20pcs |
| | | 8pcs |
| | | 8pcs |
| | | 4pcs |
| | | 1pc |
| | | 2pcs |
| | | 2pc |
| | | 72pcs |

