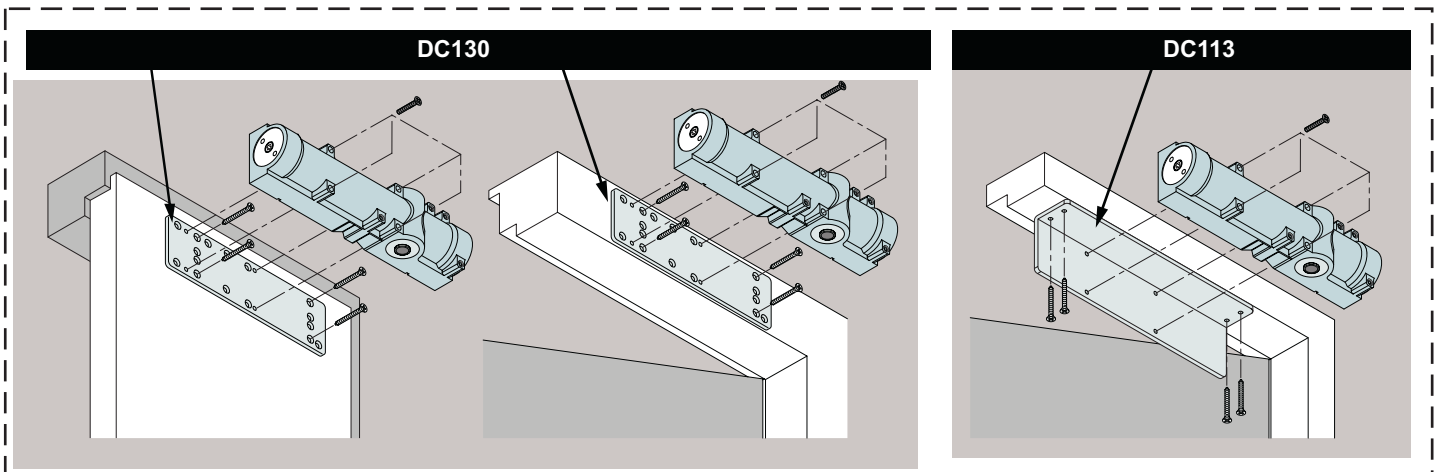
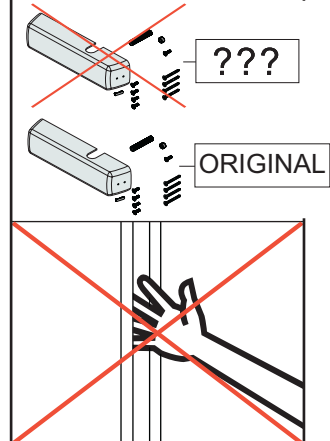
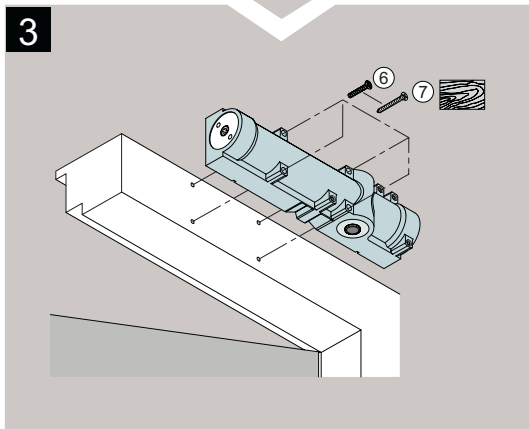
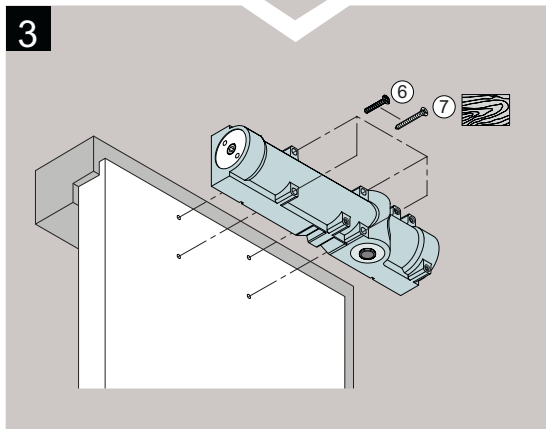
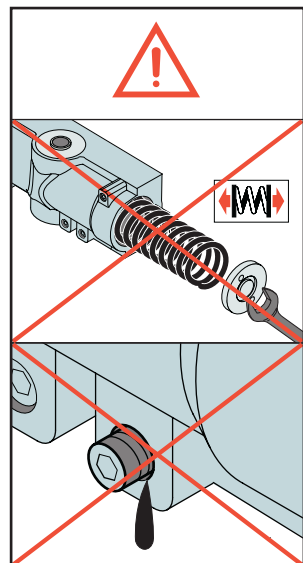
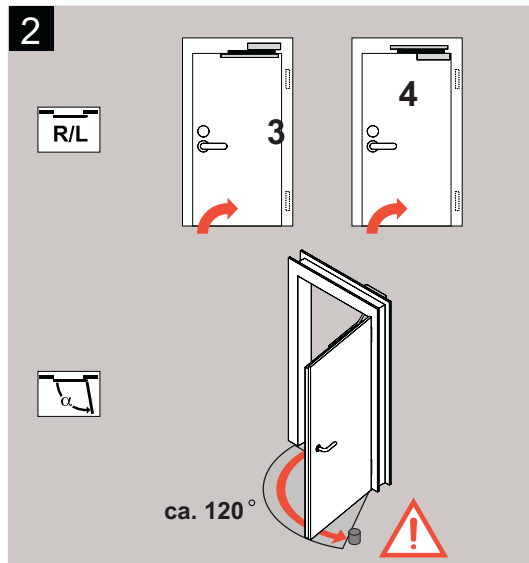
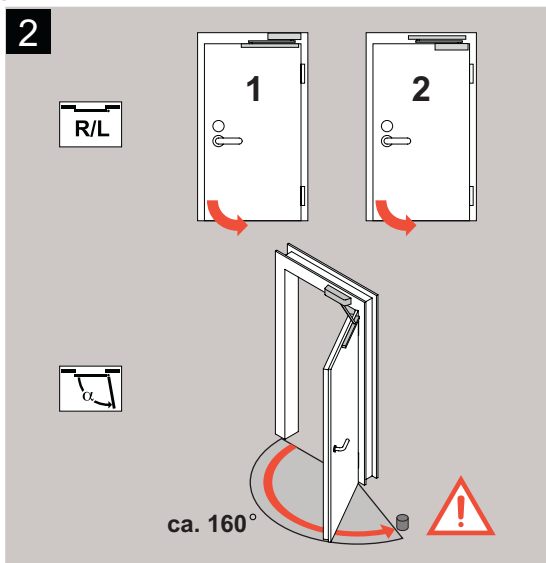
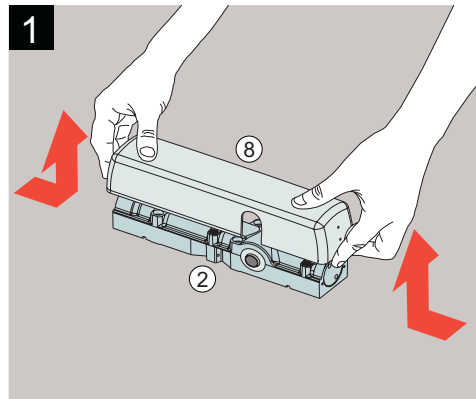
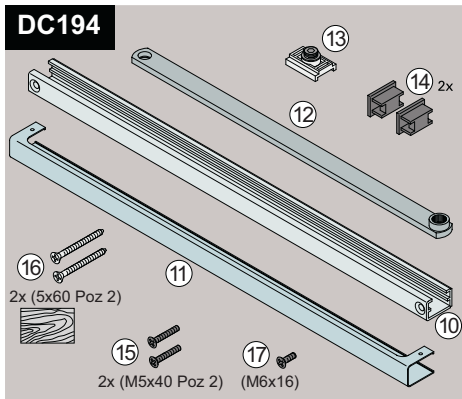
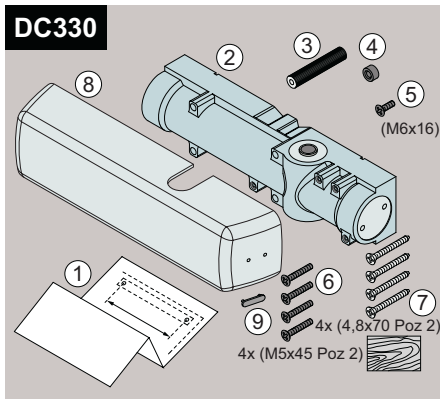
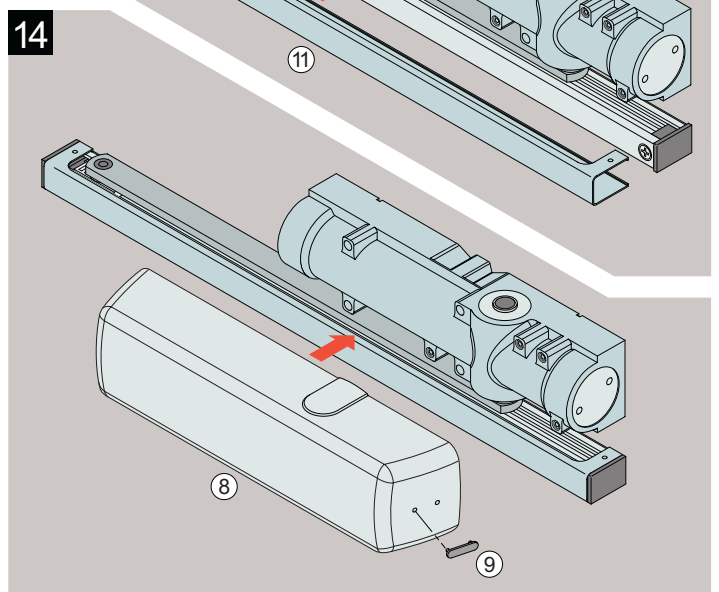
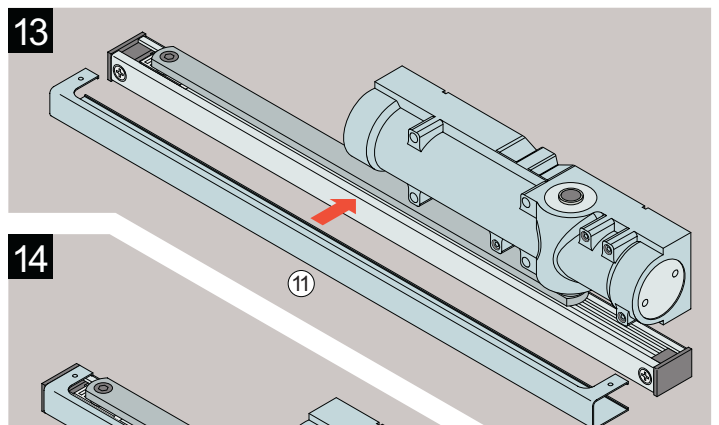
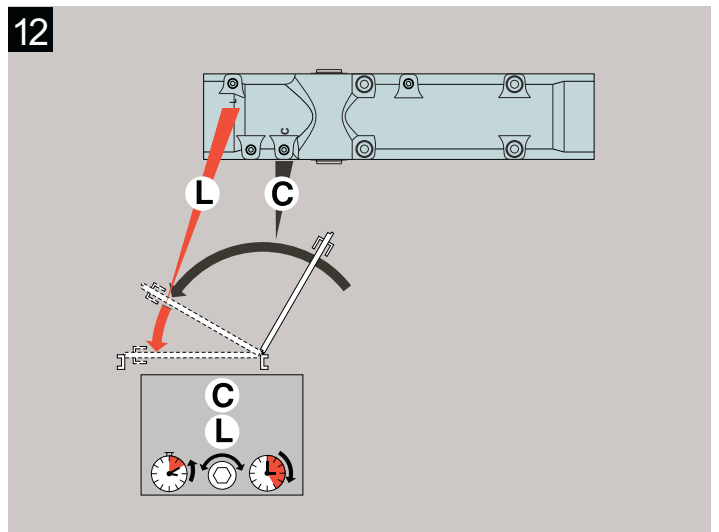
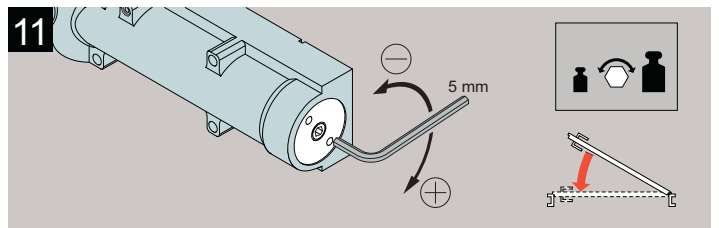
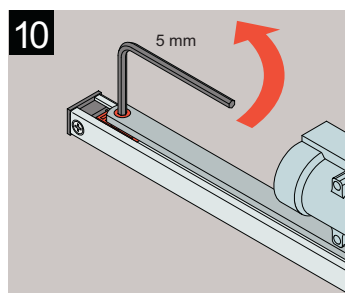
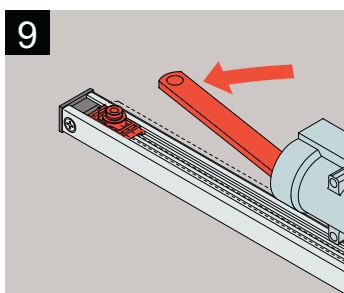
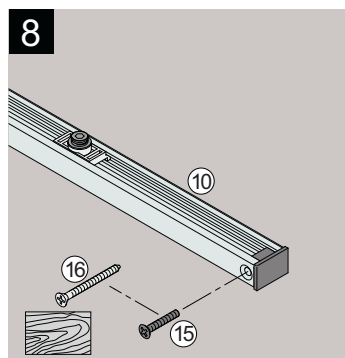
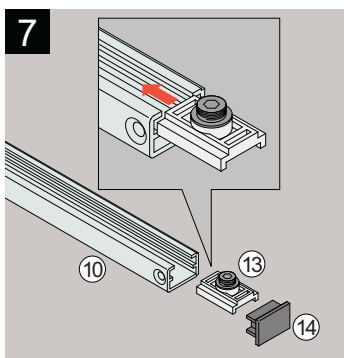
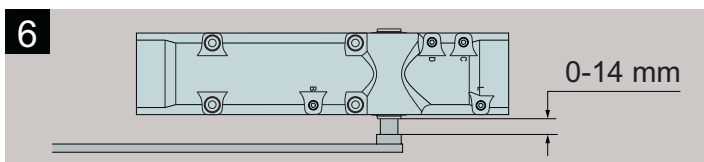
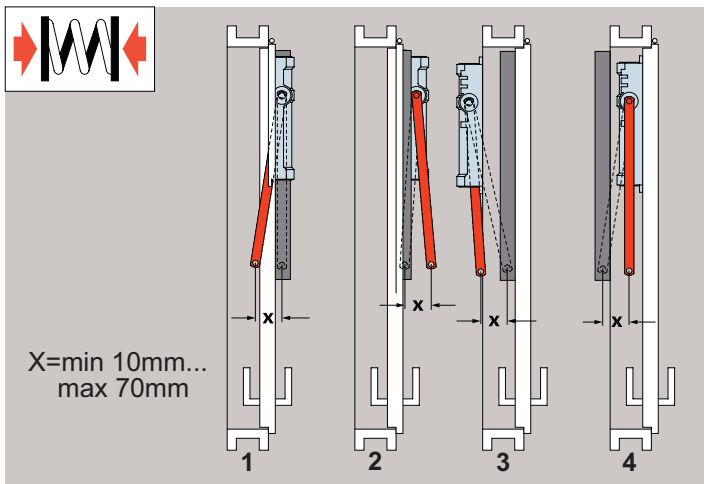
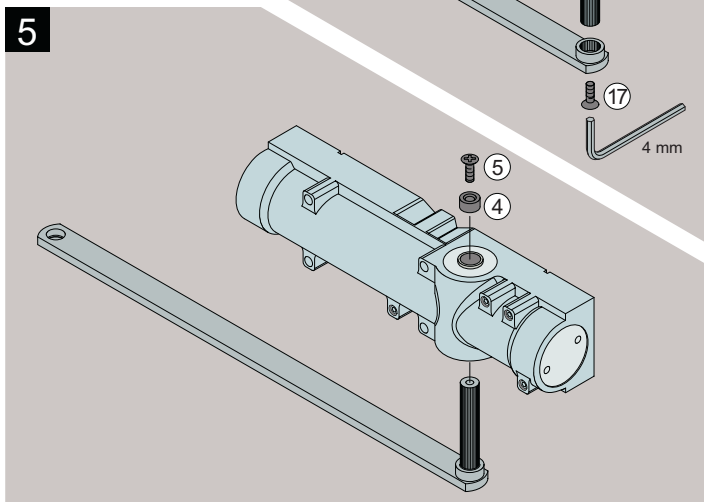
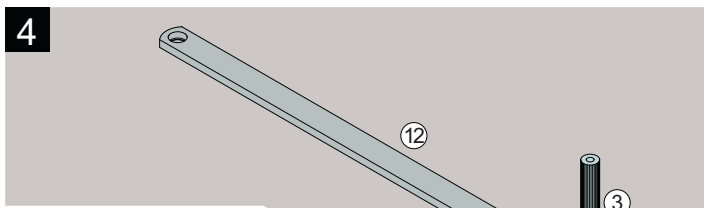


# DC330 + DC194(DC193)

D4101 + D4020  
 DL330 + DL194(DL193)  
 330 + 7194(7193)  
 FP3300 + ARG194(ARG193)  
 8814 C + DC194(DC193)

2330 + AC333  
 T230 + T450  
 CT340014xx + GD300F(GD3000)  
 DC6400 + DCA194(DCA193)





CE	Abloy Oy	06
	PO Box 108 80101 Joensuu, Finland	
1162-CPD-0251	EN 1154:1996+A1:2002	3 8 4 1 1 1 3

