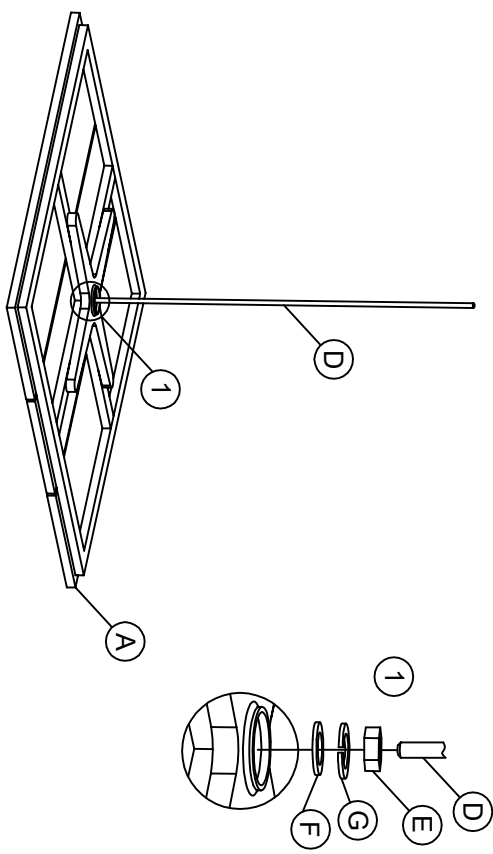


| | | | |
|---------|-----------------|-------------------|-----|
| A*1 | B*1 | C*1 | D*1 |
| | | | |
| E*2 | F*2 | G*2 | |
| M10 nut | M10 flat washer | M10 spring washer | |

Step1



Step2

