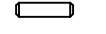
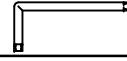
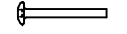
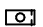
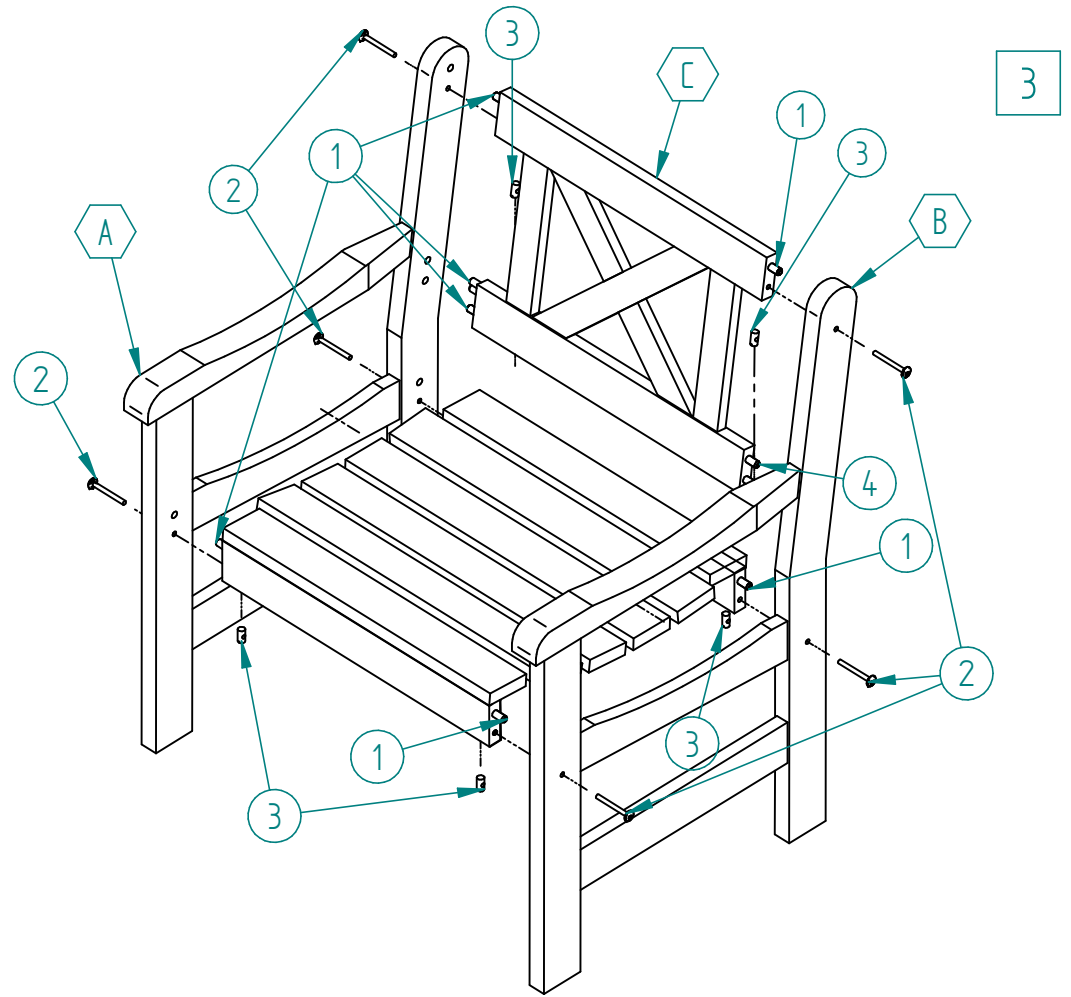
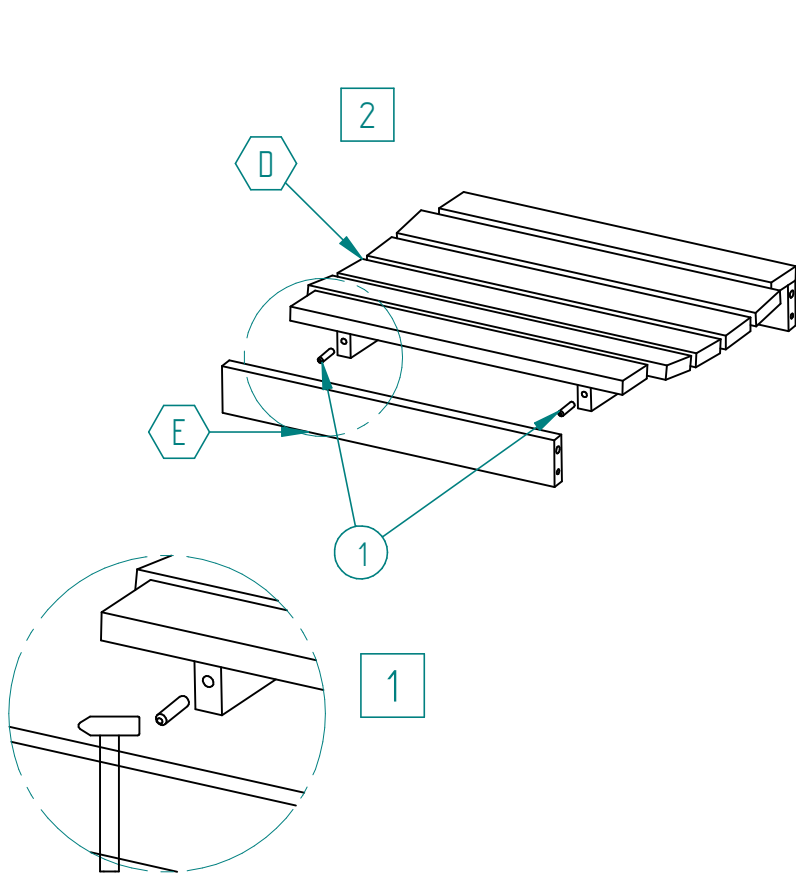


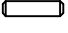
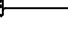
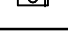

NB! Please assemble seat in correct direction-under seat slat`s obtuse angled side front.






- A x1 C x1 E x1
- B x1 D x2

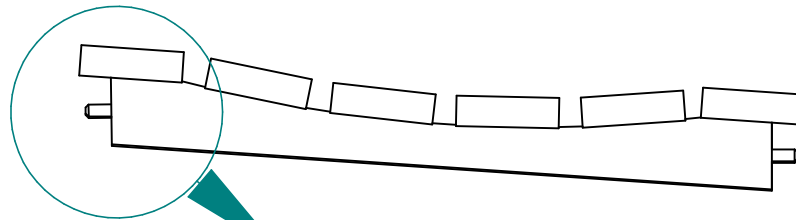
1*		16	10x35
2*		1	
3*		6	6x55
4*		6	10x20



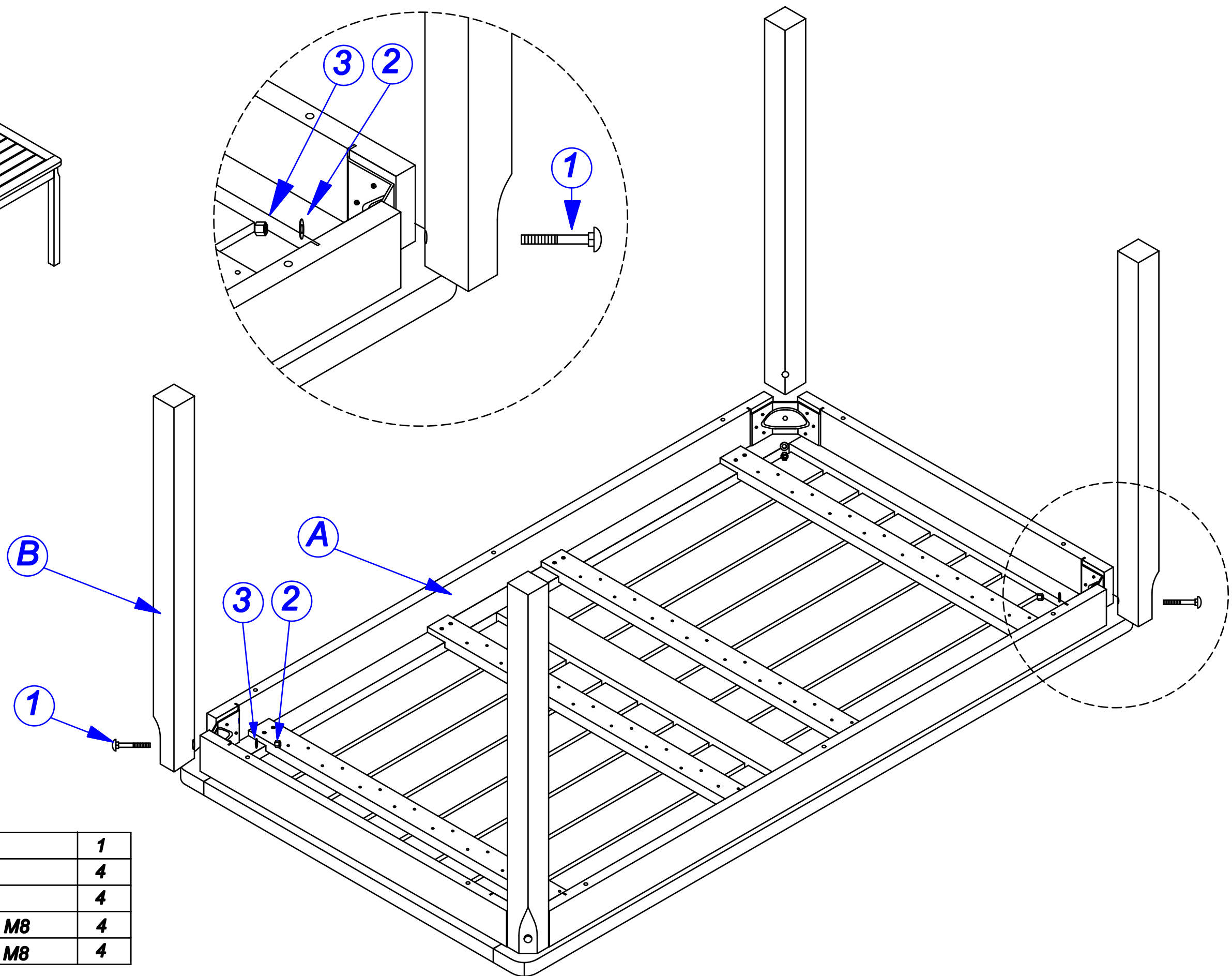
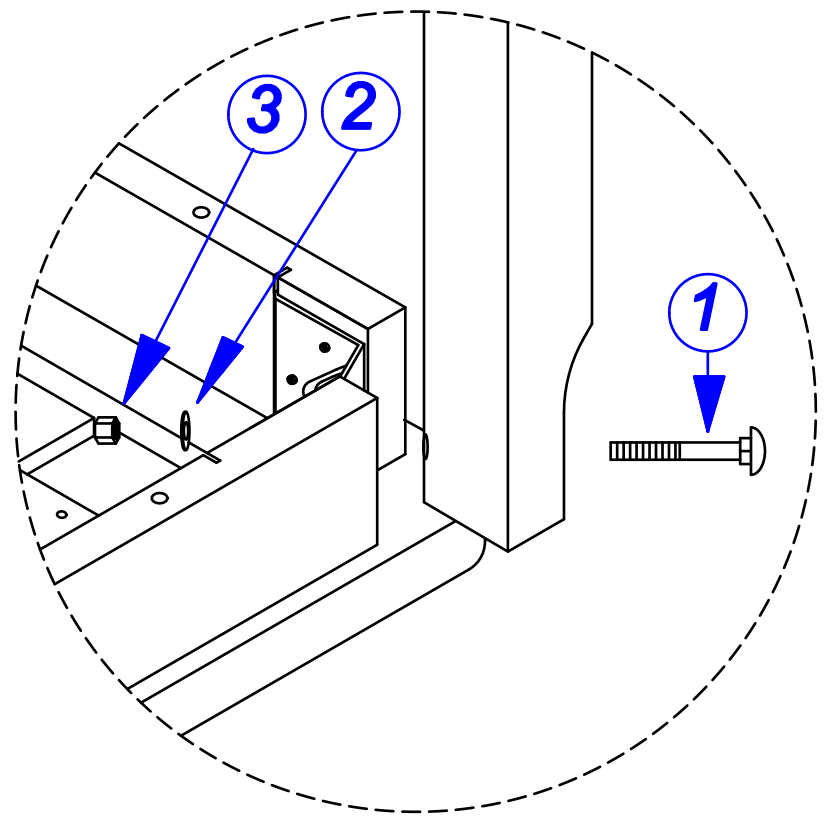
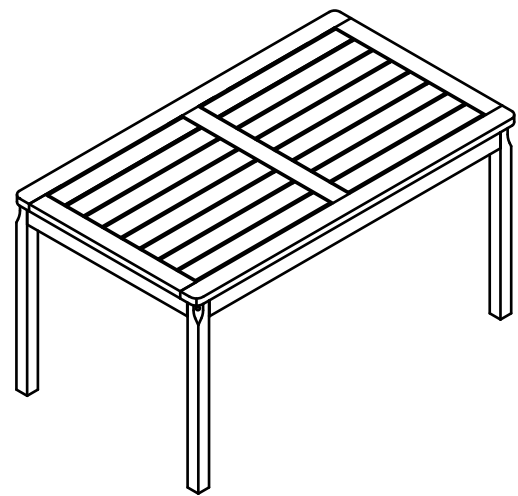


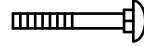


1		10x35	14
2		6x55	6
3		6x10x20	6
4			1

-  x1
-  x1
-  x1
-  x1
-  x2



NB! Please assemble seat in correct direction-under seat slat`s obtuse angled side front.



A			1
B			4
1			4
2		M8	4
3		M8	4