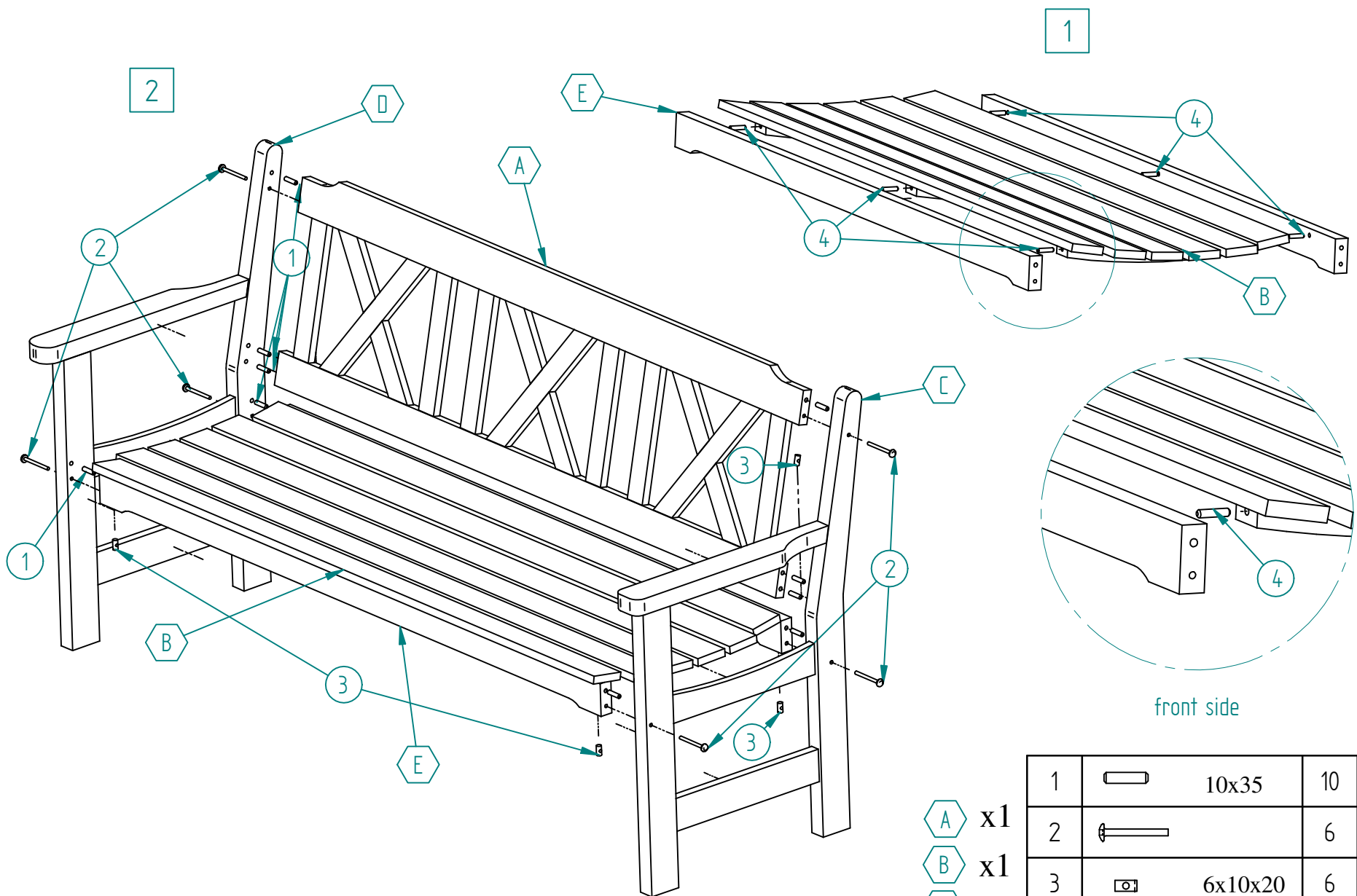
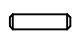
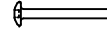

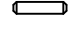
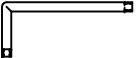


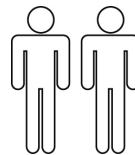
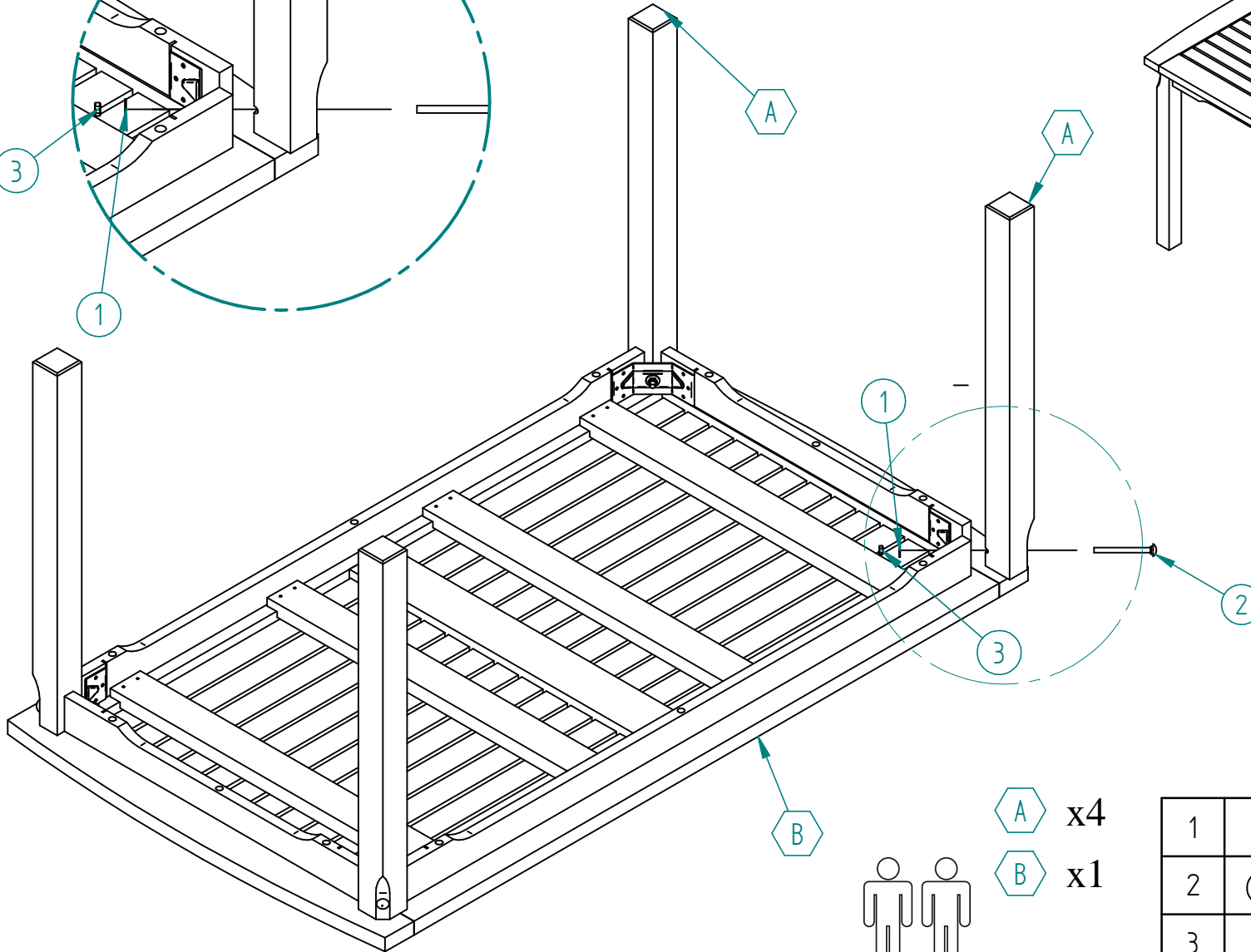
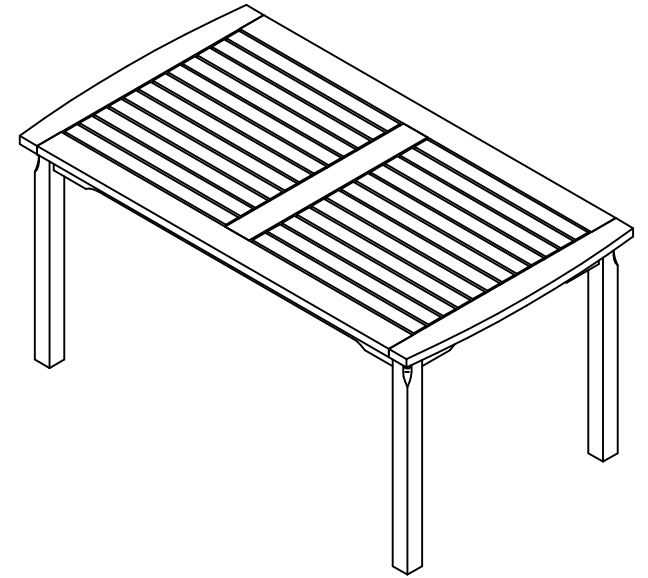
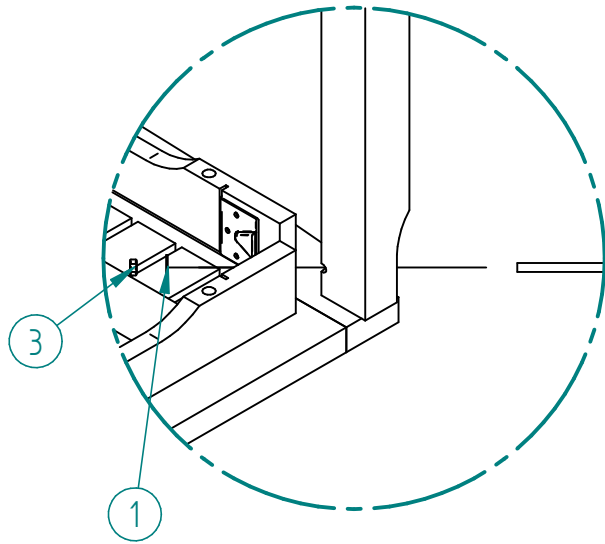
- A x1
- B x1
- C x1
- D x1
- E x2

1		10x35	10
2			6
3		6x10x20	6
4		8x35	4
5			1


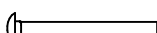



- A** x1
- B** x1
- C** x1
- D** x1
- E** x2

1		10x35	10
2			6
3		6x10x20	6
4		8x35	6
5			1



A x4  
B x1

1		9x22	4
2		8x90	4
3		M8	4