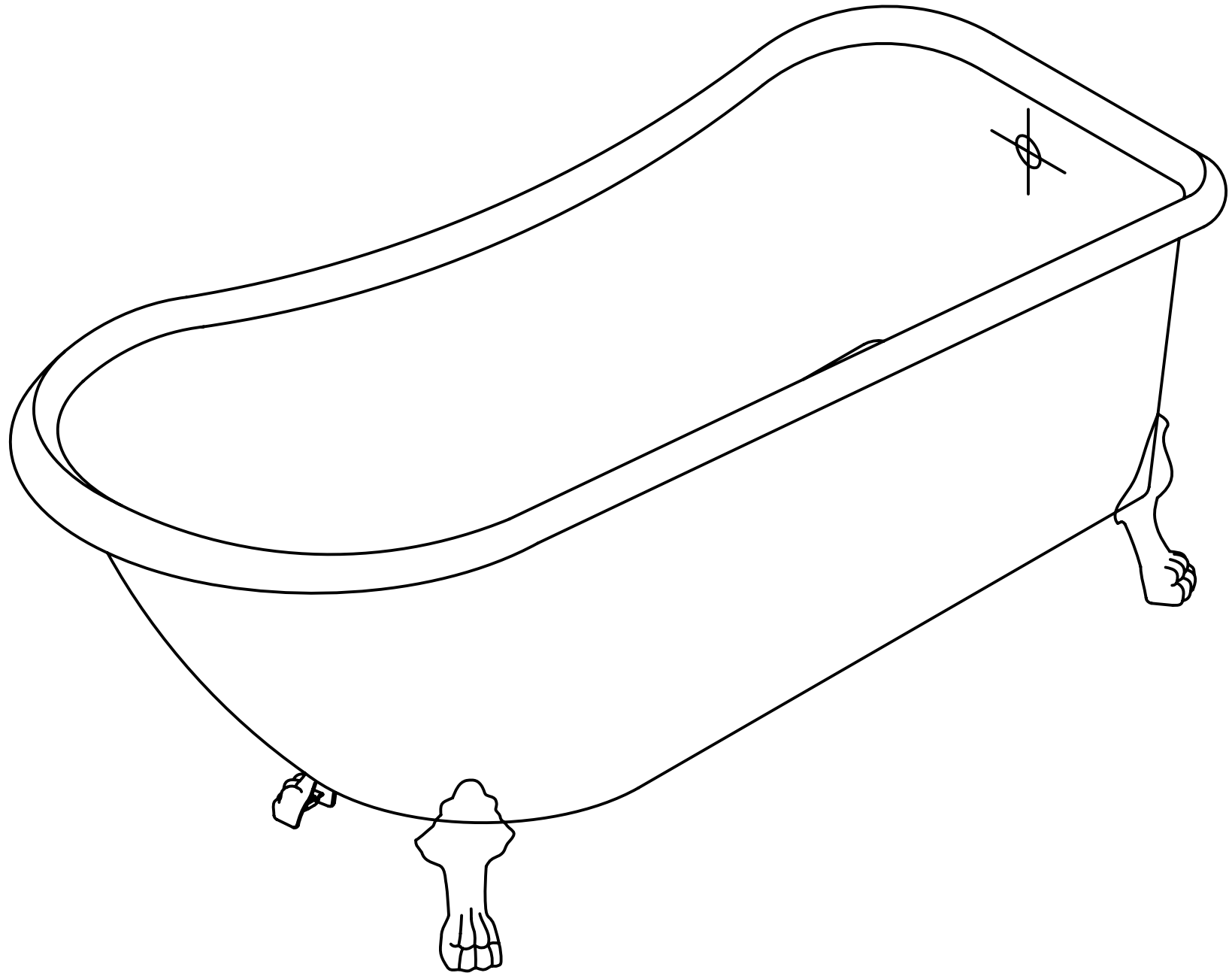
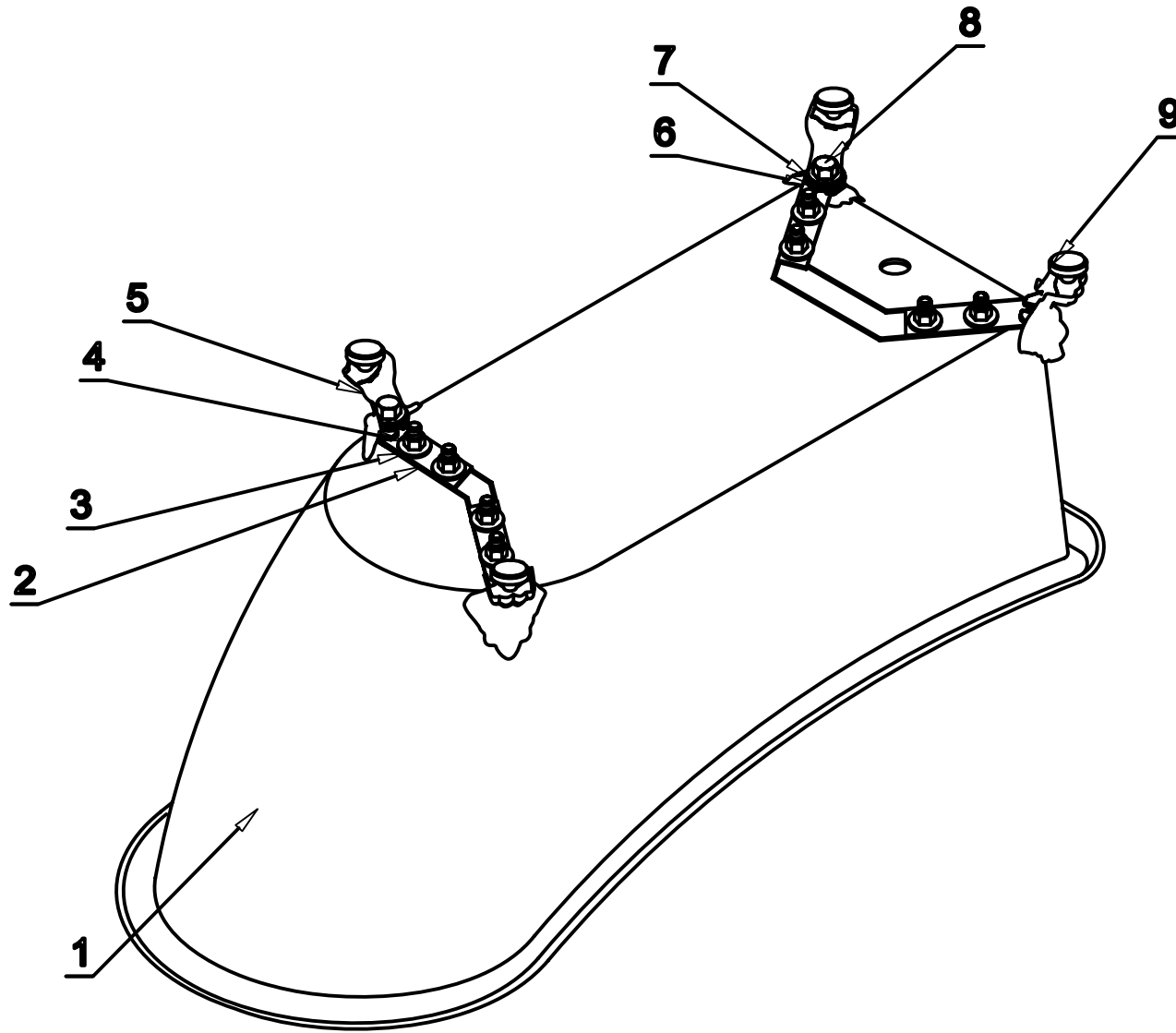


TASS.1530.UWV.CB.BE

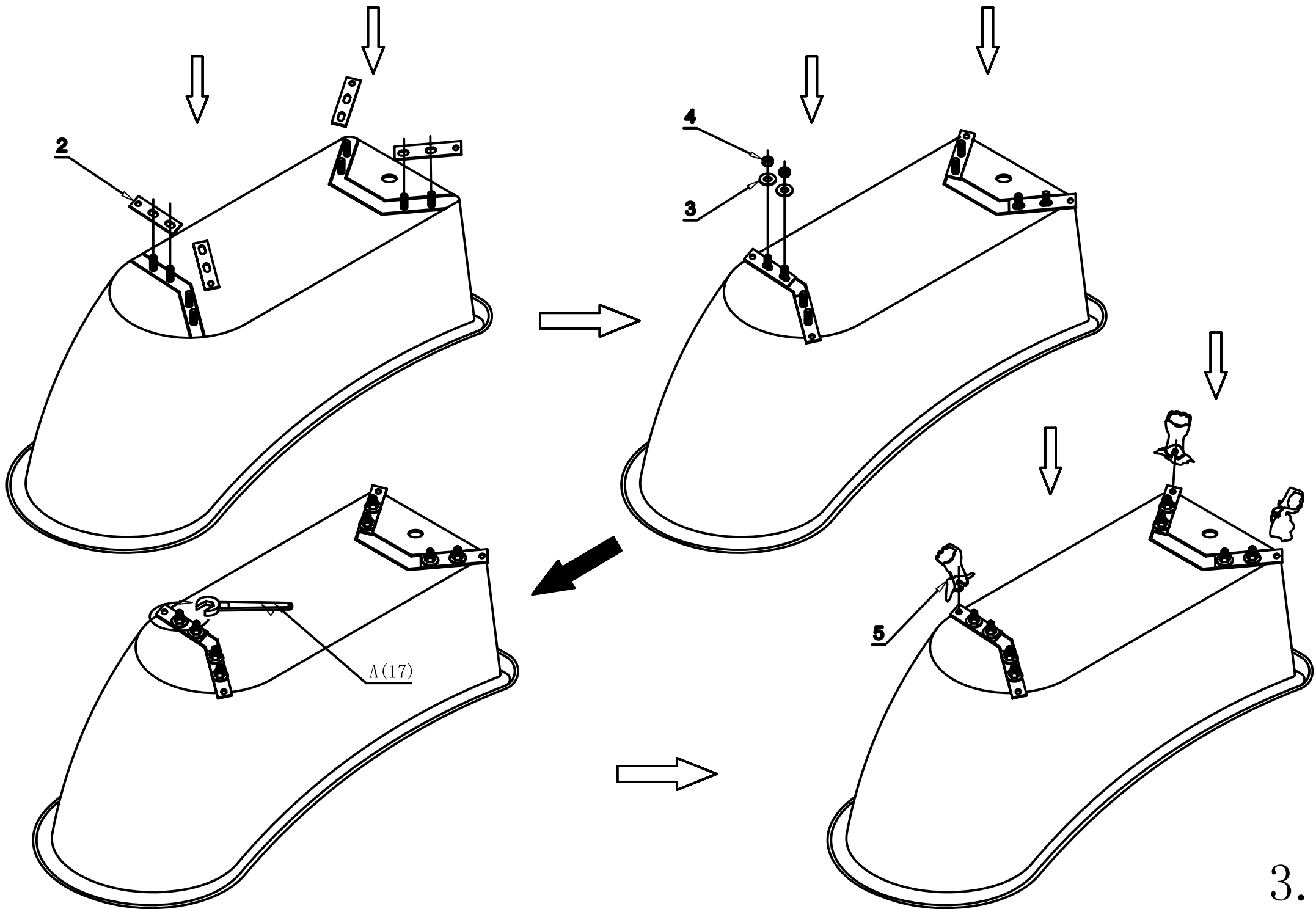


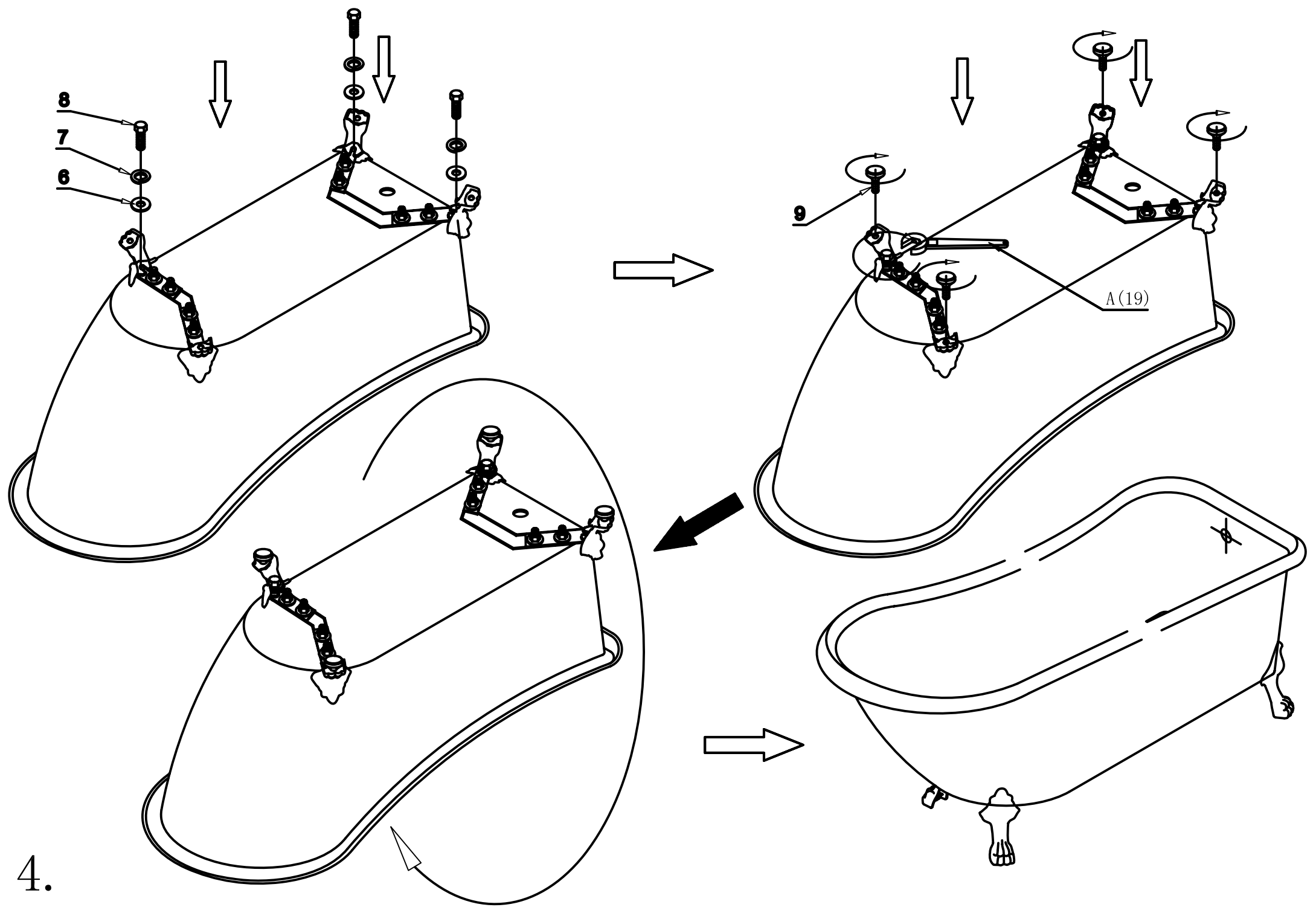


No	Name	Photo	Qty
1	bathtub		1
2	steel panel		4
3	flat mat $\phi 10$		4
4	screw M10		4
5	claw foot		4
6	flat mat $\phi 12$		4
7	flexible mat		4
8	Bolt M12 $\times$ 25		4
9	Claw foot adjust		4

	tools required
A	
B	

2.





4.

