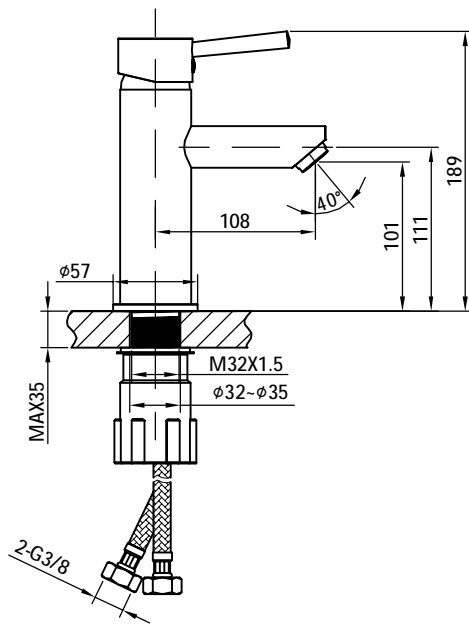
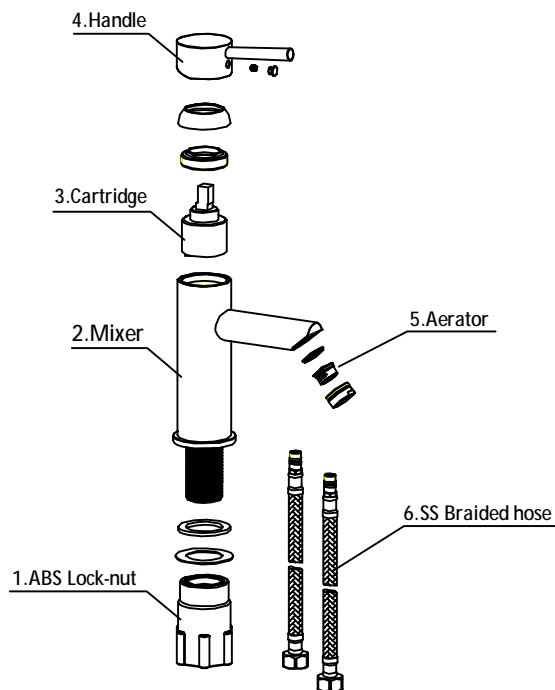


# bathlife®

## Single Level Basin Faucet



Installation drawing



Product accessories

### Installation Instruction :

1. Supply lines should be purged to clean impurities before connecting the unit. (hot water on left, cold water on right).
2. Hole size for deck mounted:  $\varnothing 32\text{-}\varnothing 35(\text{mm})$ .
3. Twist off the ABS lock-nut (1) and washers.
4. Put the braided hoses from bottom of the table hole. Connect the red braided hose to hot water inlet and the blue one to cold water inlet.
5. Install the lock-screw to the basin mixer and put it into the mounted hole. Then put the washers to the lock-screw from the bottom.
6. Tighten with the ABS lock-nut.
7. Connect the braided hoses to the cold and hot angle valve correctly .

### Application :

1. Turn the handle left and right, left for hot water, and right for cold water.

### Cleaning and maintenance :

1. Use soap and water to remove lime stains from chrome surface. Don't use acidic detergents, scouring pads or steel wool; otherwise the chrome parts will be damaged
2. Use soap and water to clean installation accessories, such as plastic or rubber components. Don't use acidic detergents, scouring pads, alcohol cleaners or steel wool.

### Data Sheet :

Colour	Chrome Finished
Nominal Diameter	G3/8
General Medium	Water
Water Pressure	0.05Mpa-1.0Mpa
Recommended Pressure	0.1Mpa-0.6Mpa
Temperature Range	4°C - 90°C

### Warranty :

BATHLIFE warrant its faucets to be leak and drip free during normal residential use for 3 year from original date of purchasing. If the faucet should leak or drip during normal use, kindly contact our support team to claim your warranty. This warranty applies only to BATHLIFE Faucets installed in the Sweden. If damages caused by accident, misuse or abuse will void this warranty. Proof of purchase (original purchasing receipt) must be provided to BATHLIFE when you claim for warranty. If the Faucet is used commercially or if the finish is: GOLD or BLACK coated finished, BATHLIFE warrants the product to be free from defects in material and workmanship for one year from the date of purchasing.