

Product information sheet SINGOLO XL

Item no. 526377

Benefits

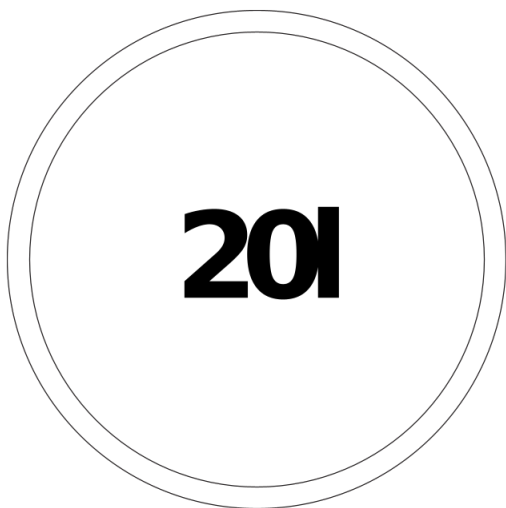


- Compact system for mounting directly on the cabinet door
- Large waste volume despite compact dimensions
- Conveniently opens with the cabinet door
- The bin can be easily removed by lifting upwards
- Highly stable thanks to the steel body
- Continuously adjustable: also suitable for panel doors
- Can be mounted on the left or right side

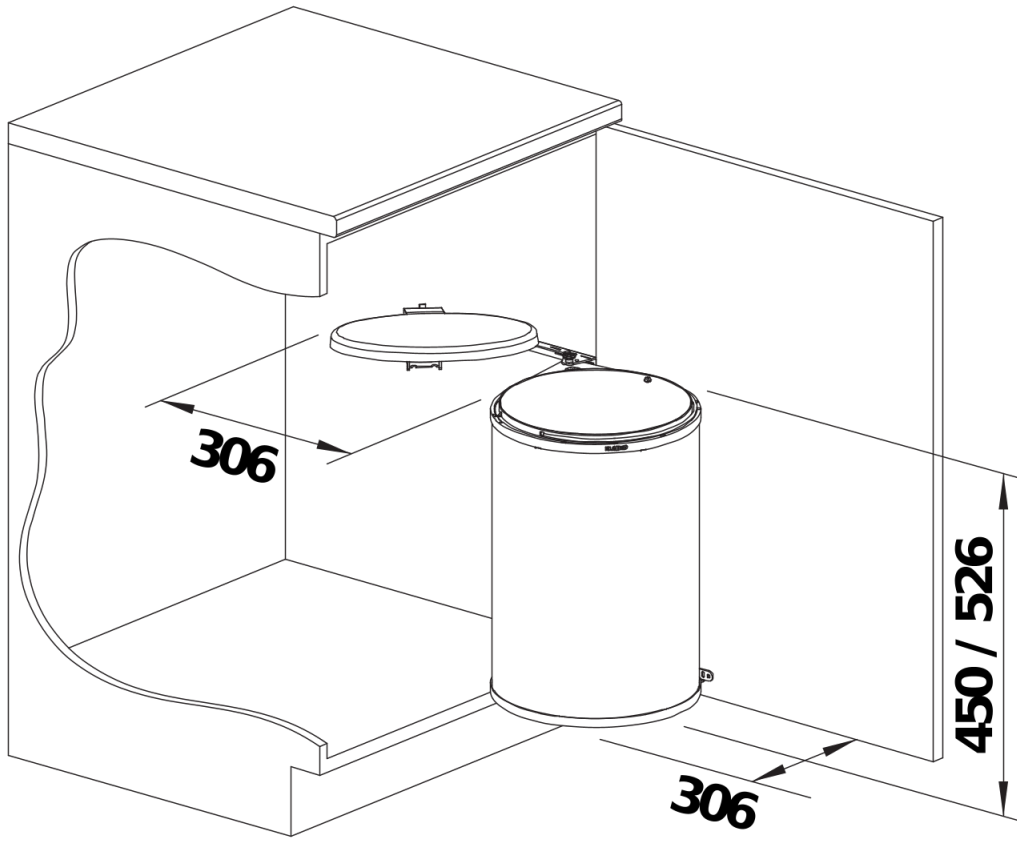
Scope of supply

- system for installation on hinged doors
- 1 x 20 l bin
- bin lid

Details



Top view



PRODUKT_3D