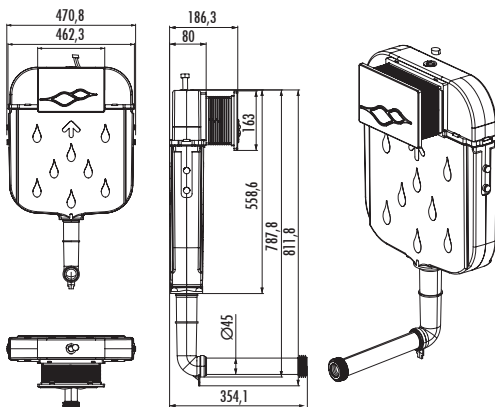




GR5007

GR5007	Concealed Cistern for Back to Wall Pans 3 - 6 L.
Weight:	4,41 kg

TECHNICAL DRAWING



h [height] indicates the drift axis from the completed floor and it is approximately 320 mm. However the absolute measurement should be adjusted in accordance with the drift of the closet to be used.

Creavit keeps its rights of making any change to the products.



Quality Management System



Customer Satisfaction Certificate



Environmental Management System



Occupational Safety & Health Management System



Germany Accreditation Certificate



Netherlands Accreditation Certificate



Russia Accreditation Certificate



Ukraine Accreditation Certificate



Israel Accreditation Certificate



Nigeria Accreditation Certificate



European Accreditation Certificate



Turkish Accreditation Certificate