

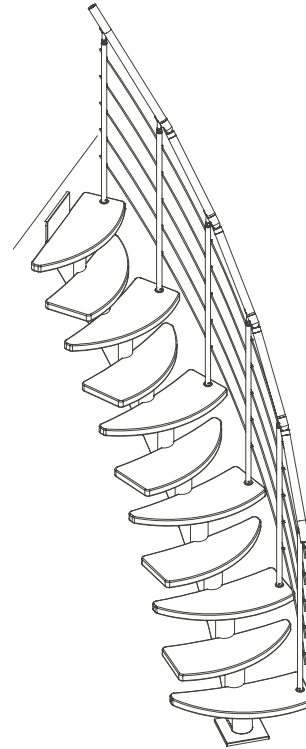
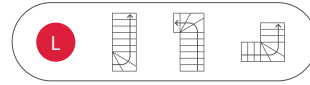
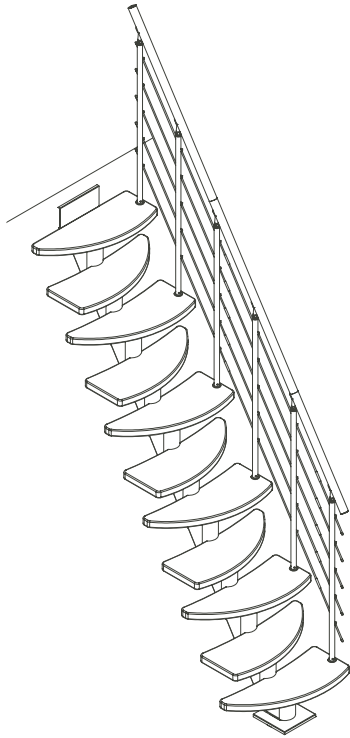
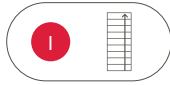
SHAPE 6 BANISTER

BERLIN

**INSTRUCTION / MONTAGEANLEITUNG
INSTRUKTION / INSTRUCCION / INSTRUKCJA**

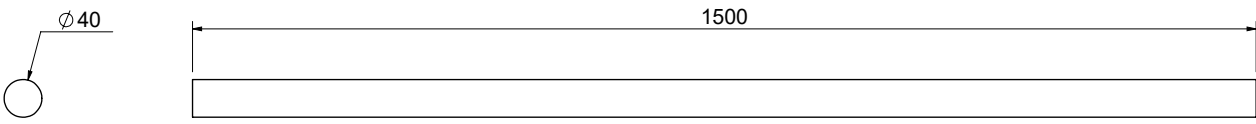
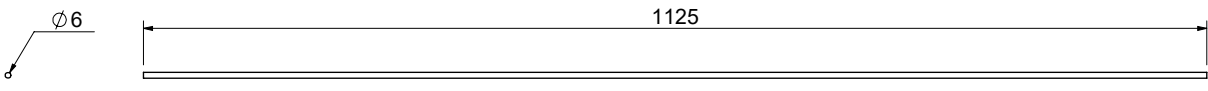
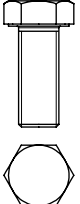
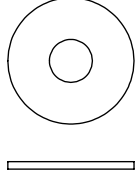

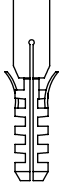

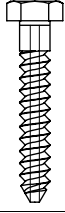


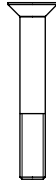
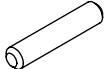

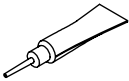
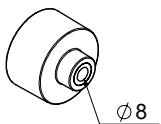



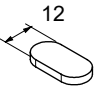

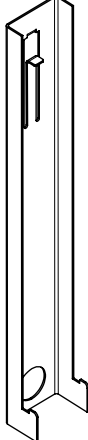
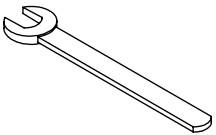
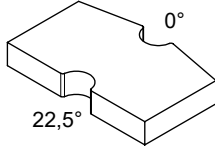
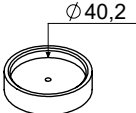
SOGEM[®]

PART OF DOLLE GROUP



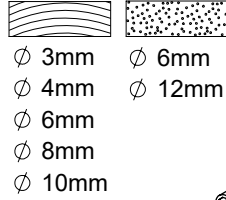
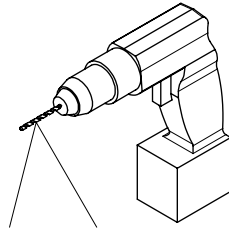
	Height floor-to-floor	Rise height	Number of treads
	Geschosshöhe	Steigungshöhe	Anzahl Stufen
	Hauteur sol-sol	Hauteur de marche	Nombre de marches
	Altura de suelo/suelo	Altura de peldaños	Numero de peldaños
	Altura do chão / chão	Altura do degrau	Número de etapas (degraus)
	Hoogte vloer/vloer	Hoogte trede	Aantal treden
	Etagehøjde	Stigningshøjde	Antal trin
	Golv till golv höjd	Stigningshöjd	Antal steg
	Wysokość kondygnacji od podłogi do podłogi	Wysokość stopnia	Ilość stopni
	Înălțime sol-sol	Înălțime treaptă	Număr trepte
	Výška patra podlaha-podlaha	Výška schodu	Počet nášlapů
	Висота от пола до пола	Шаг ступени	Кол-во ступеней
	Aukšto aukštis	Pakopos aukštis	Pakopų kiekis
	Stāva augstums	Pakāpiena augstums	Pakāpienu skaits
	Korruse kõrgus	Astme kõrgus	Astmete arv
	Višina nadstropja	Višina stopnice	Število stopnic
	Visina kata	Visina stepenice	Broj stepenica
	Výška podlažia	Výška stupňa	Počet stupňov

<p>1</p> <p>x 1 K2-1077400 RAL 7016 K2-1077401 RAL 9005 K2-1077402 Pearl grey K2-1077403 RAL 9016</p>	<p>2</p> <table border="1"> <tr><td>10</td><td>11</td><td>12</td><td>13</td></tr> <tr><td>x</td><td>8</td><td>9</td><td>10</td><td>11</td></tr> </table> <p>K2-1077405 RAL 7016 K2-1077406 RAL 9005 K2-1077407 Pearl grey K2-1077408 RAL 9016</p>	10	11	12	13	x	8	9	10	11	<p>3</p> <p>x 1 K2-1077410 RAL 7016 K2-1077411 RAL 9005 K2-1077412 Pearl grey K2-1077413 RAL 9016</p>	<p>4</p> <p>x 1 K2-1077442 RAL 7016 K2-1077411 RAL 9005 K2-1077412 Pearl grey K2-1077413 RAL 9016</p>																		
10	11	12	13																											
x	8	9	10	11																										
<p>7</p> <table border="1"> <tr><td>10</td><td>11</td><td>12</td><td>13</td></tr> <tr><td>x</td><td>6</td><td>6</td><td>6</td><td>7</td></tr> </table> <p>K2-1077190 RAL 7016 K2-1077191 RAL 9005 K2-1077192 Pearl grey K2-1077193 RAL 9016</p>	10	11	12	13	x	6	6	6	7	<p>8</p> <table border="1"> <tr><td>10</td><td>11</td><td>12</td><td>13</td></tr> <tr><td>x</td><td>6</td><td>6</td><td>6</td><td>7</td></tr> </table> <p>K1-1077203</p>	10	11	12	13	x	6	6	6	7	<p>10</p> <p>x 1 K1-1077070 RAL 7016 K1-1077071 RAL 9005 K1-1077072 Pearl grey K1-1077073 RAL 9016</p>	<p>11</p> <p>x 1 K1-1077175 RAL 7016 K1-1077176 RAL 9005 K1-1077177 Pearl grey K1-1077178 RAL 9016</p>									
10	11	12	13																											
x	6	6	6	7																										
10	11	12	13																											
x	6	6	6	7																										
<p>20</p> <table border="1"> <tr><td>10</td><td>11</td><td>12</td><td>13</td></tr> <tr><td>x</td><td>6</td><td>6</td><td>6</td><td>7</td></tr> </table> <p>K2-1077190 RAL 7016 K2-1077191 RAL 9005 K2-1077192 Pearl grey K2-1077193 RAL 9016</p>	10	11	12	13	x	6	6	6	7	<p>21</p> <table border="1"> <tr><td>10</td><td>11</td><td>12</td><td>13</td></tr> <tr><td>x</td><td>9</td><td>10</td><td>11</td><td>12</td></tr> </table> <p>M2-1078260 Beech / Buche / Beuk / Hêtre / Bøg M2-1078270 Oak / Eiche / Eik / Chêne / Eg M2-1078280 Oak white / Eiche weiß / Eik wit / Chêne blanc / Eg hvid</p>	10	11	12	13	x	9	10	11	12	<p>26</p> <table border="1"> <tr><td>10</td><td>11</td><td>12</td><td>13</td></tr> <tr><td>x</td><td>6</td><td>6</td><td>6</td><td>7</td></tr> </table> <p>K2-1077195 RAL 7016 K2-1077196 RAL 9005 K2-1077197 Pearl grey K2-1077198 RAL 9016</p>	10	11	12	13	x	6	6	6	7	<p>27</p> <p>x 2 K1-1077150 RAL 7016 K1-1077151 RAL 9005 K1-1077152 Pearl grey K1-1077153 RAL 9016</p>
10	11	12	13																											
x	6	6	6	7																										
10	11	12	13																											
x	9	10	11	12																										
10	11	12	13																											
x	6	6	6	7																										
<p>28</p> <p>x 5 K2-1077180 RAL 7016 K2-1077181 RAL 9005 K2-1077182 Pearl grey K2-1077183 RAL 9016</p>	<p>29</p> <table border="1"> <tr><td>10</td><td>11</td><td>12</td><td>13</td></tr> <tr><td>x</td><td>30</td><td>30</td><td>30</td><td>35</td></tr> </table> <p>K1-1077202</p>	10	11	12	13	x	30	30	30	35	<p>30</p> <p>x 10 K1-04050</p>	<p>31</p> <p>x 10 K1-14939</p>																		
10	11	12	13																											
x	30	30	30	35																										

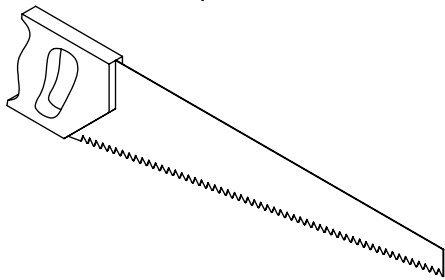
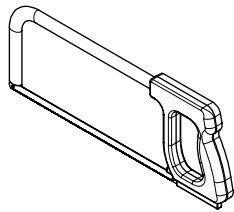
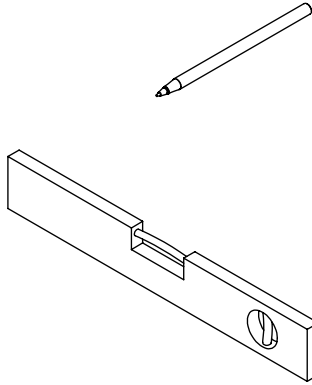
<p>32</p>  <p>$\varnothing 40$</p> <p>1500</p> <p>x 3 1078905 <i>Beech / Buche / Beuk / Hêtre / Bøg</i> 1078915 <i>Oak / Eiche / Eik / Chêne / Eg</i></p>																					
<p>33</p>  <p>$\varnothing 6$</p> <p>1125</p> <p>x 15 K1-14076</p>																					
<p>37</p>  <table border="1" data-bbox="76 645 287 705"> <tr><td>10</td><td>11</td><td>12</td><td>13</td></tr> <tr><td>x</td><td>10</td><td>11</td><td>12</td><td>13</td></tr> </table> <p>R1-63500 M16 x 40</p>	10	11	12	13	x	10	11	12	13	<p>38</p>  <table border="1" data-bbox="435 645 646 705"> <tr><td>10</td><td>11</td><td>12</td><td>13</td></tr> <tr><td>x</td><td>10</td><td>11</td><td>12</td><td>13</td></tr> </table> <p>K3-04053 $\varnothing 50 / \varnothing 17$</p>	10	11	12	13	x	10	11	12	13	<p>39</p>  <p>x 1 R2-86074 M16</p>	<p>40</p>  <p>x 9 K3-08001 $\varnothing 12 \times 60$</p>
10	11	12	13																		
x	10	11	12	13																	
10	11	12	13																		
x	10	11	12	13																	
<p>41</p>  <p>x 9 K3-04001 $\varnothing 10$</p>	<p>42</p>  <p>x 9 K3-06003 $\varnothing 10 \times 60$</p>	<p>44</p> <table border="1" data-bbox="798 873 1005 929"> <tr><td>10</td><td>11</td><td>12</td><td>13</td></tr> <tr><td>x</td><td>60</td><td>66</td><td>72</td><td>78</td></tr> </table> <p>R1-63267 $\varnothing 6 \times 35 \text{ TX}30$</p> 	10	11	12	13	x	60	66	72	78	<p>45</p> <table border="1" data-bbox="1157 873 1364 929"> <tr><td>10</td><td>11</td><td>12</td><td>13</td></tr> <tr><td>x</td><td>6</td><td>6</td><td>6</td><td>7</td></tr> </table> <p>K3-05002 M6 x 8</p> 	10	11	12	13	x	6	6	6	7
10	11	12	13																		
x	60	66	72	78																	
10	11	12	13																		
x	6	6	6	7																	
<p>46</p> <table border="1" data-bbox="76 1097 287 1153"> <tr><td>10</td><td>11</td><td>12</td><td>13</td></tr> <tr><td>x</td><td>6</td><td>6</td><td>6</td><td>7</td></tr> </table> <p>K3-02097 M10 x 70</p> 	10	11	12	13	x	6	6	6	7	<p>47</p>  <p>x 10 R3-91415 $\varnothing 8 \times 40$</p>	<p>48</p> <table border="1" data-bbox="798 1097 1005 1153"> <tr><td>10</td><td>11</td><td>12</td><td>13</td></tr> <tr><td>x</td><td>6</td><td>6</td><td>6</td><td>7</td></tr> </table> <p>K3-06008 $\varnothing 5 \times 25$</p> 	10	11	12	13	x	6	6	6	7	<p>49</p>  <p>x 1 K3-90001</p>
10	11	12	13																		
x	6	6	6	7																	
10	11	12	13																		
x	6	6	6	7																	
<p>50</p>  <p>$\varnothing 8$</p> <p>x 1 K1-01810</p>	<p>51</p>  <p>x 2 K3-06022 $\varnothing 5 \times 35 \text{ TX}25$</p>	<p>52</p> <table border="1" data-bbox="798 1332 1005 1388"> <tr><td>10</td><td>11</td><td>12</td><td>13</td></tr> <tr><td>x</td><td>30</td><td>30</td><td>30</td><td>35</td></tr> </table> <p>K3-05064 M4 x 4</p> 	10	11	12	13	x	30	30	30	35	<p>56</p>  <p>x 2 K3-08006 $\varnothing 6 \times 40$</p>									
10	11	12	13																		
x	30	30	30	35																	
<p>58</p>  <p>12</p> <p>x 8 R3-20590</p>	<p>59</p>  <p>Wood glue Holzkleber Colle à bois Trælim</p> <p>x 1 K3-90005</p>	<p>60</p>  <p>x 1 R1-63501 24 mm</p> <p>61</p> 																			
<p>62</p>  <p>0° 22,5°</p> <p>x 1 H3-35920</p>	<p>63</p>  <p>$\varnothing 40,2$</p> <p>x 1 K1-01620</p>	<p>60</p> <p>x 1 H2-63530</p>																			



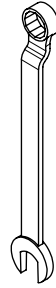
Tools not included!
Werkzeuge nicht enthalten!
Gereedschap niet inbegrepen!
Outils non inclus!
Værktøj ikke inkluderet!



Ø 3mm Ø 6mm
Ø 4mm Ø 12mm
Ø 6mm
Ø 8mm
Ø 10mm



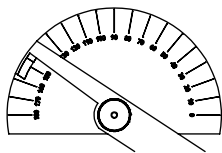
3mm
4mm
6mm



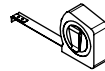
16mm



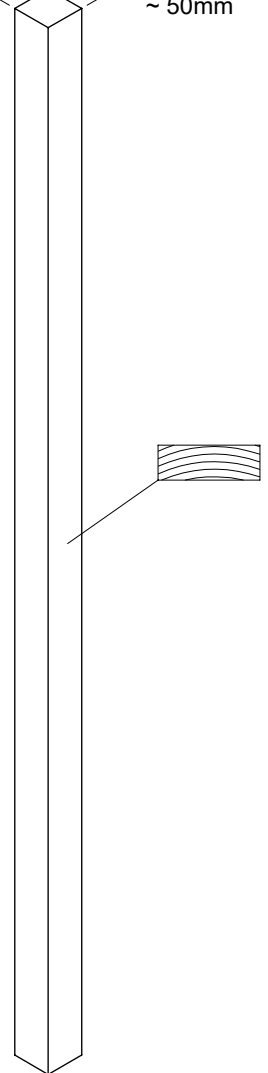
TX25
TX30
PZ2



Protractor
Winkelmesser
Gradenboog
Rapporteur d'angle
Vinkelmåler



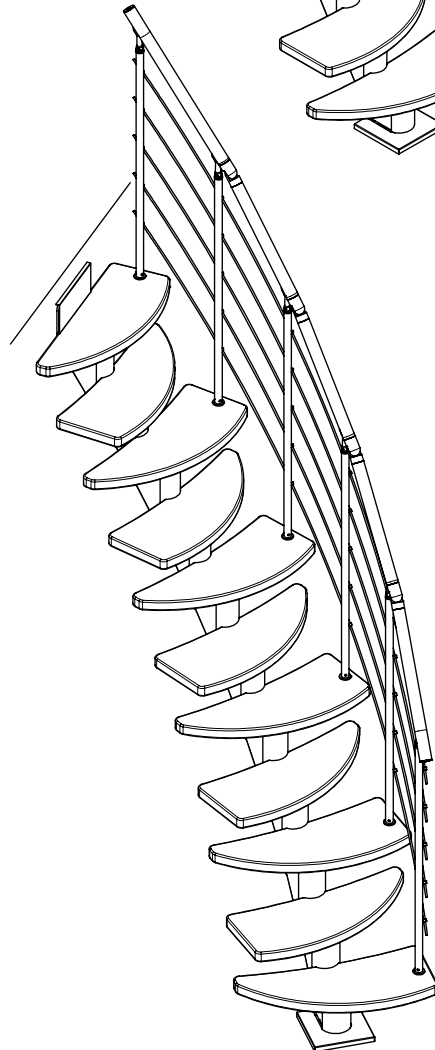
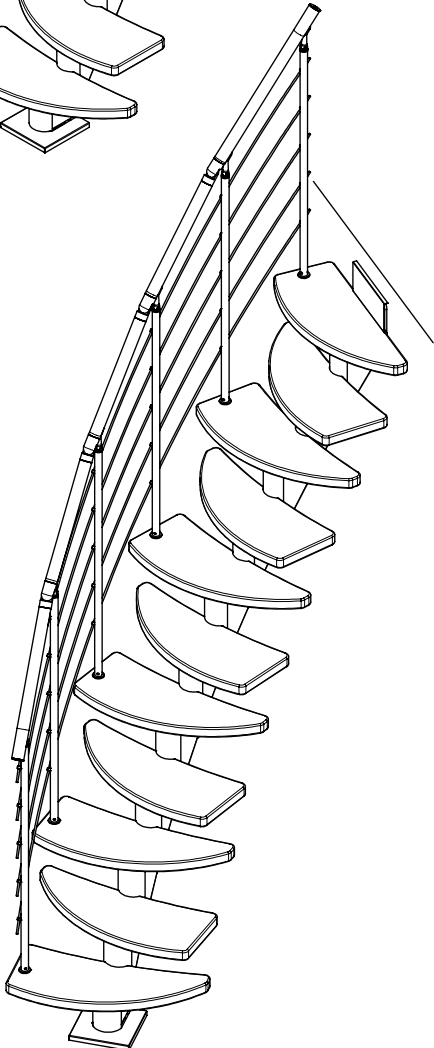
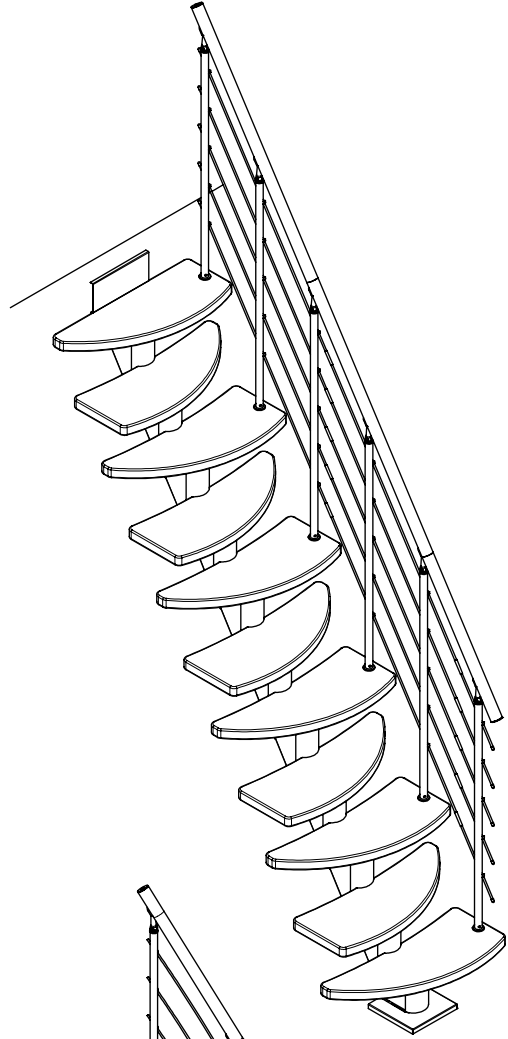
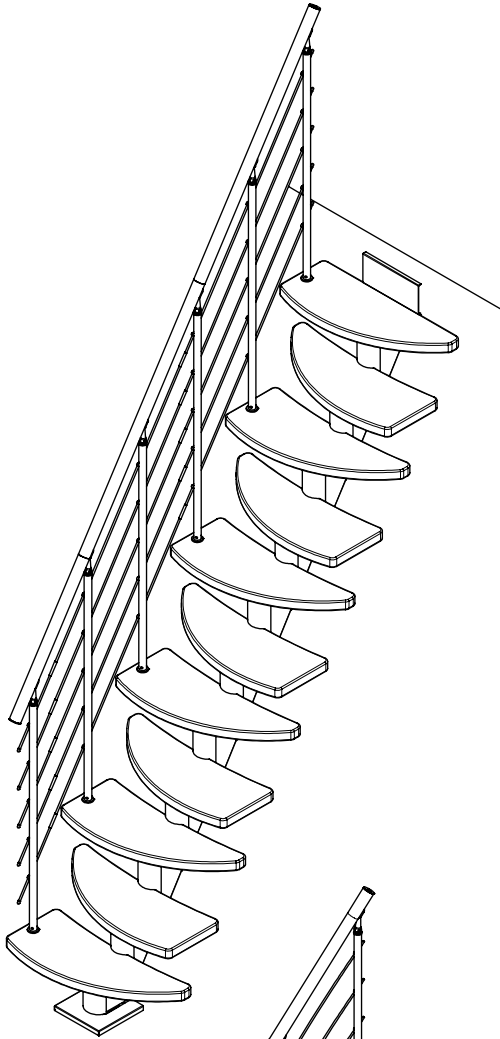
~ 50mm ~ 50mm

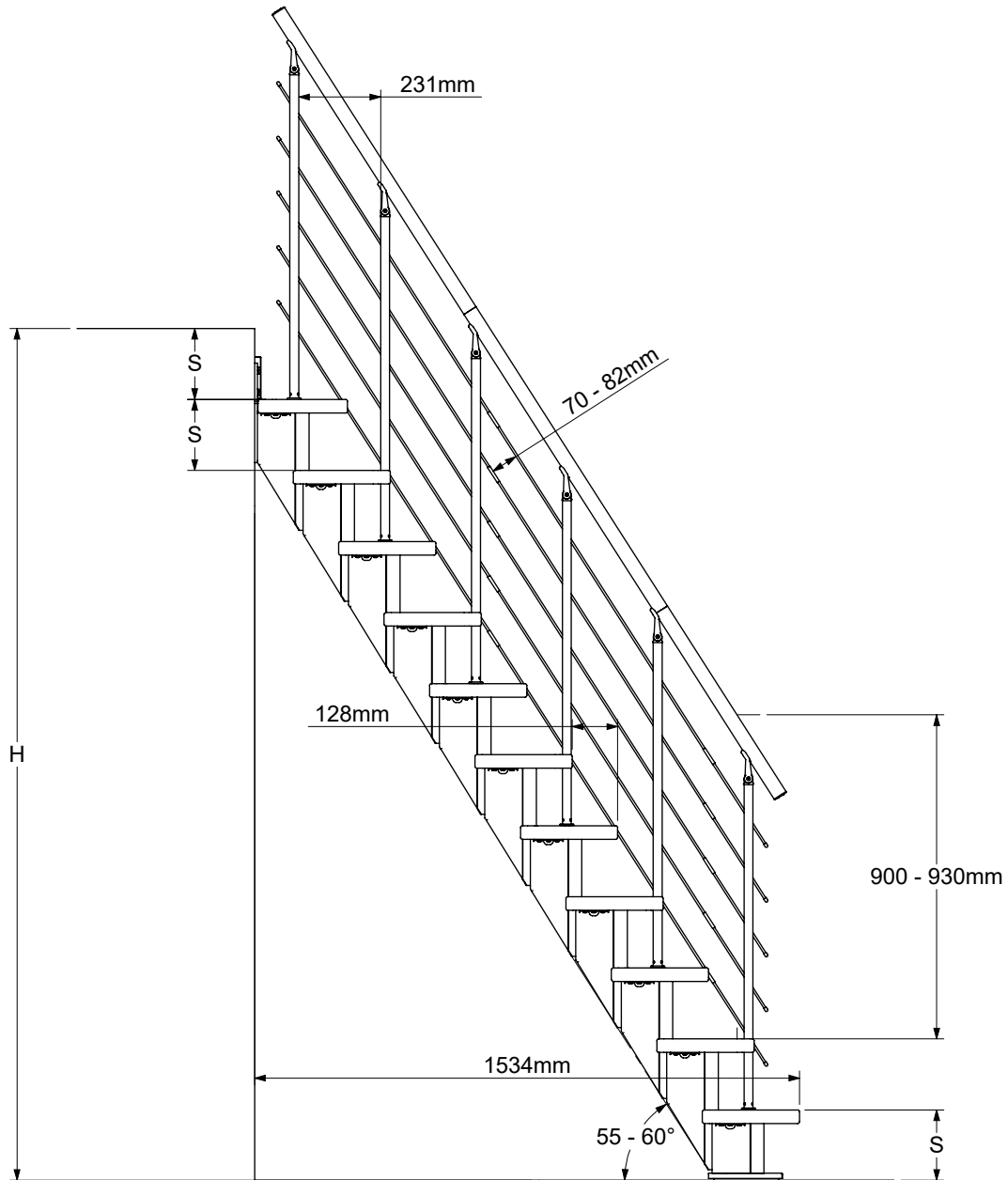




L

R





$$S = \frac{H}{T + 1}$$

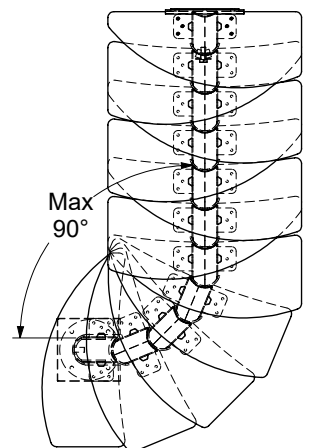
min S	max S
185 mm	225 mm

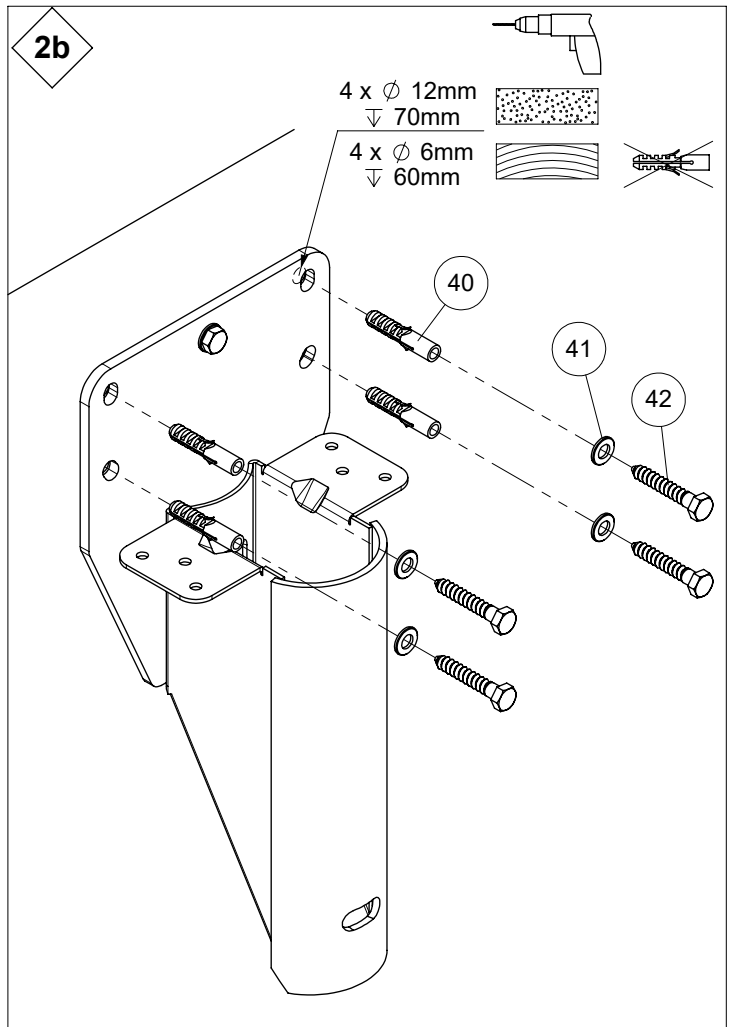
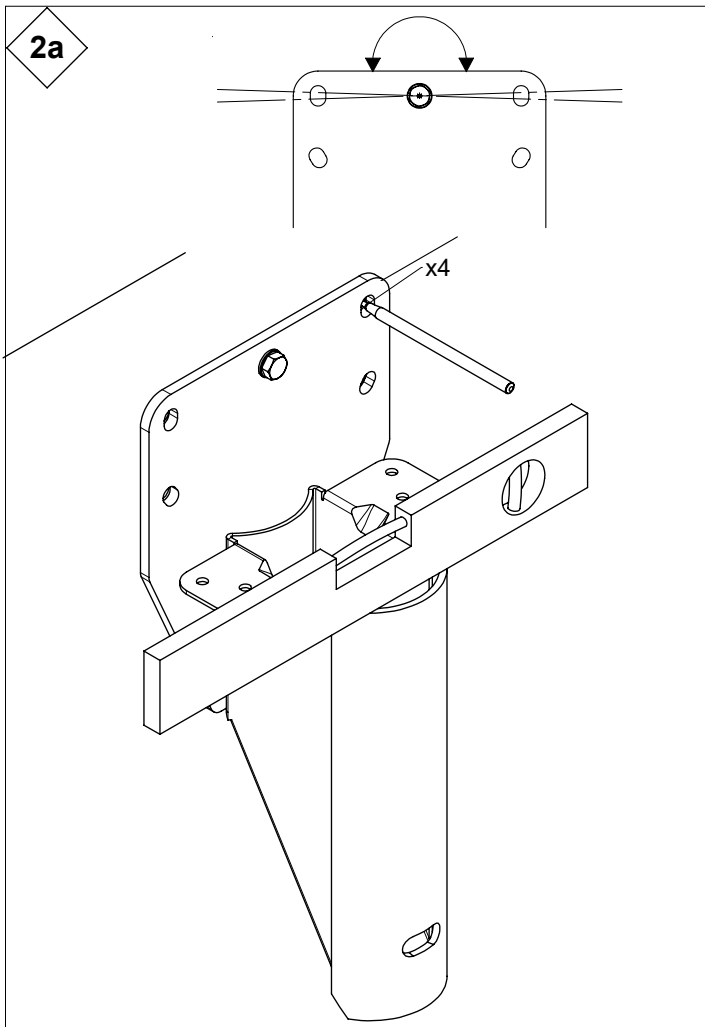
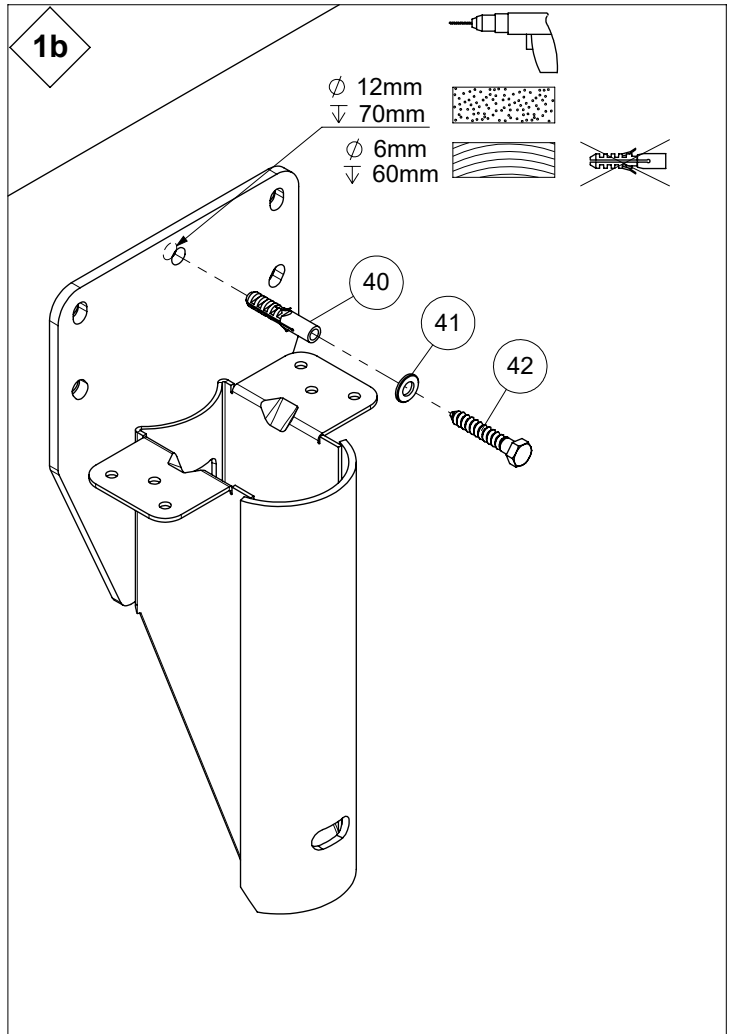
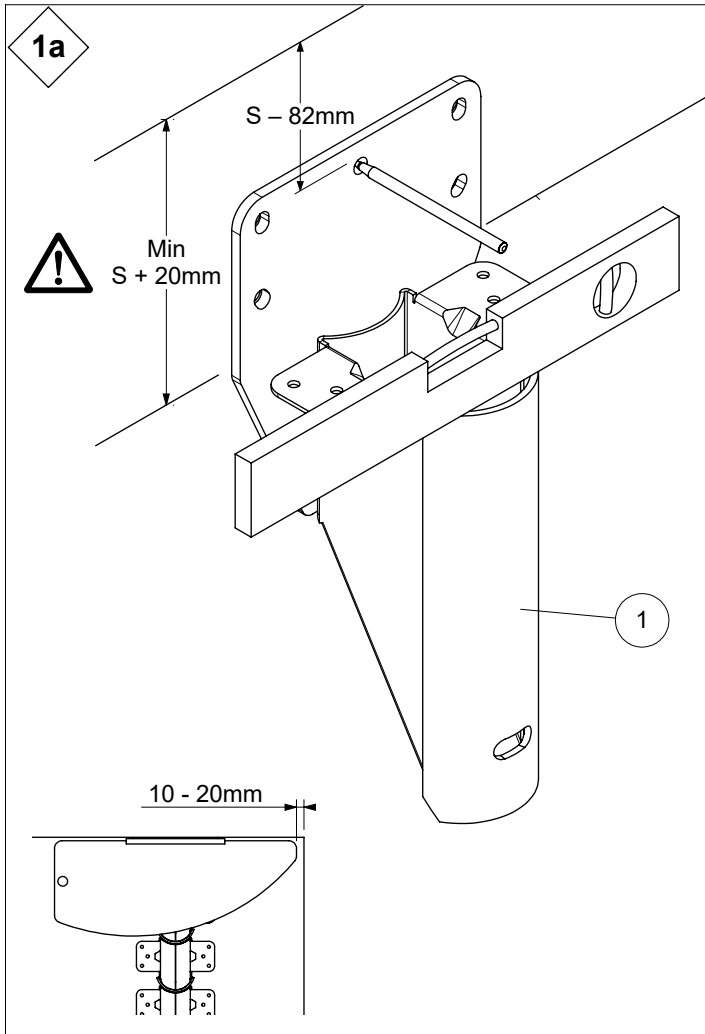
Example / Beispiel / Voorbeeld / Example / Eksempel:
H: 2400 mm, T: 11 st(pcs)

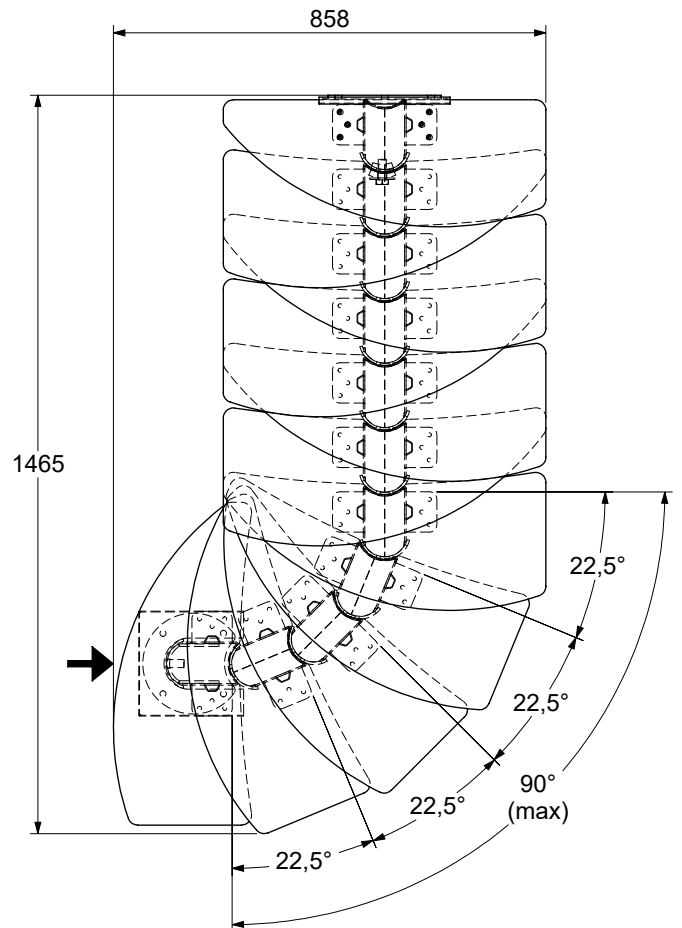
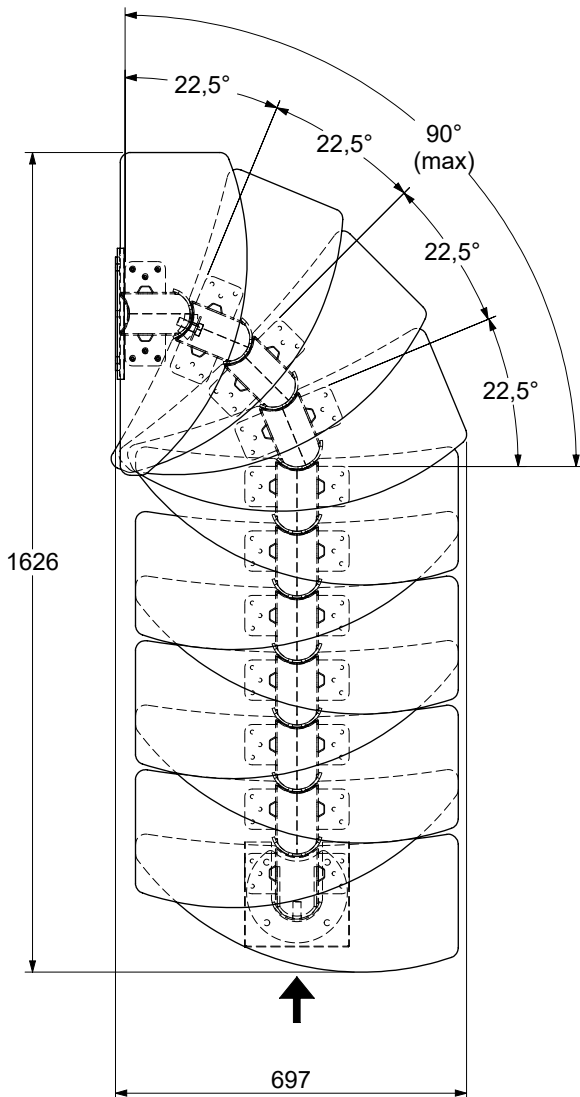
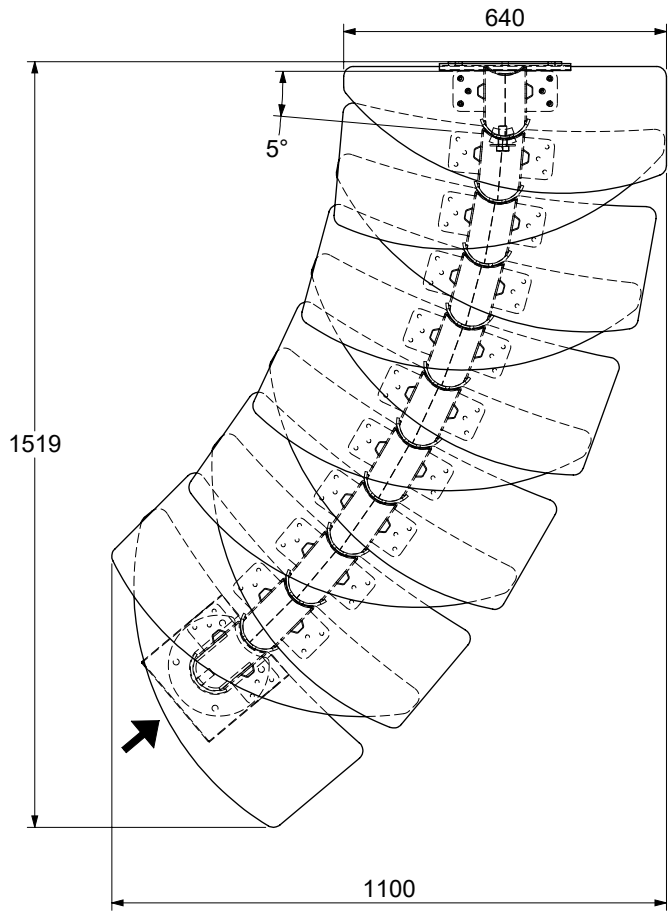
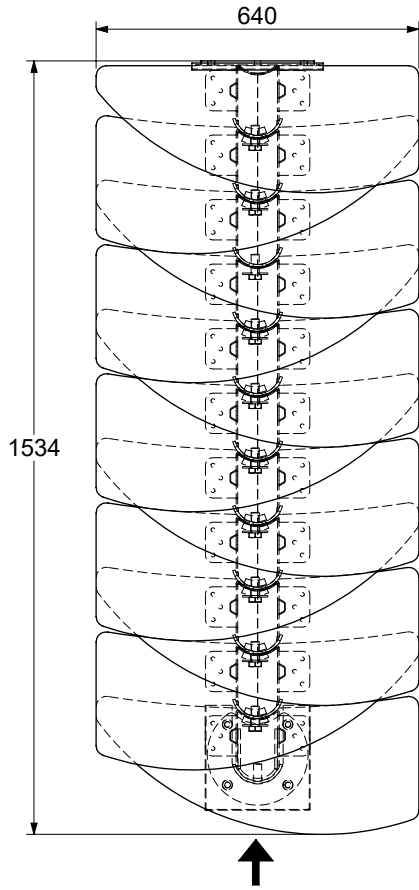
$$S = \frac{2400 \text{ mm}}{11 + 1} = 200 \text{ mm}$$



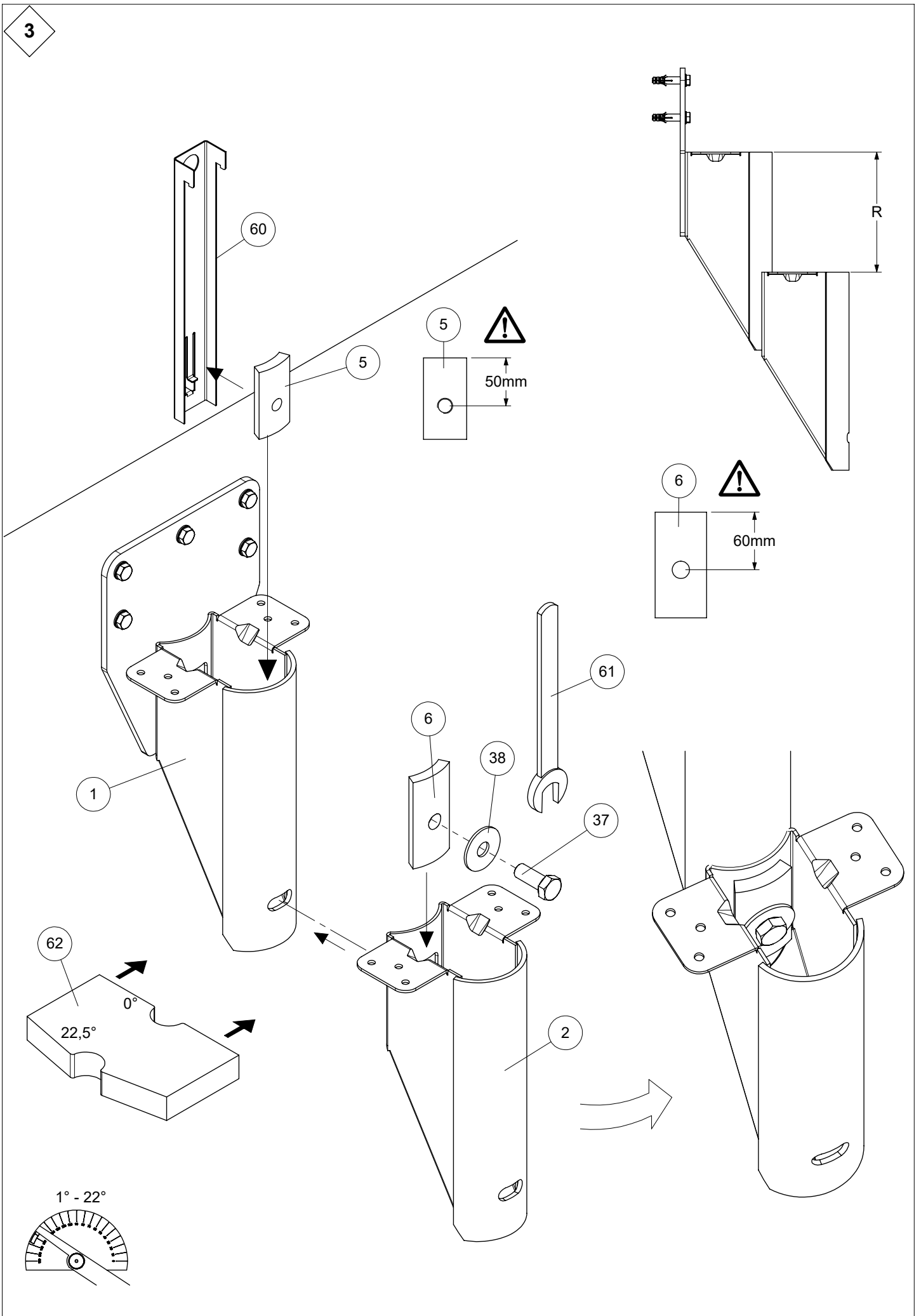
T	min H	max H
9	1850 mm	2250 mm
10	2035 mm	2475 mm
11	2220 mm	2700 mm
12	2405 mm	2925 mm
13	2590 mm	3150 mm

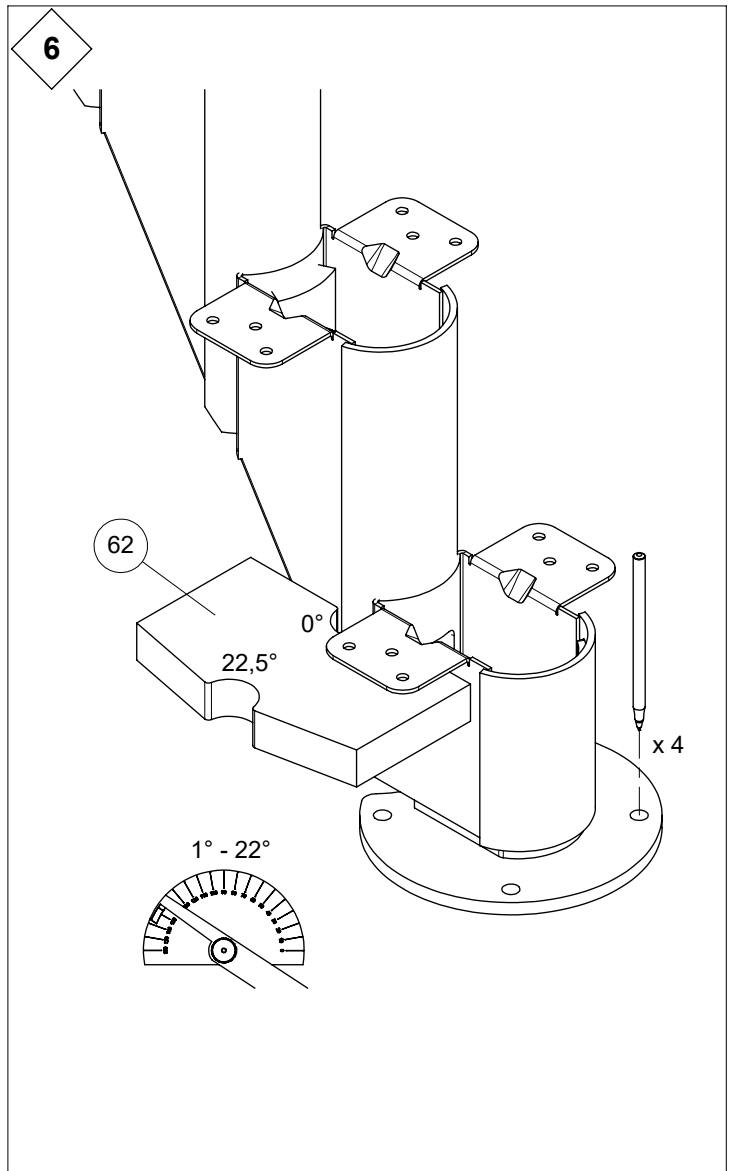
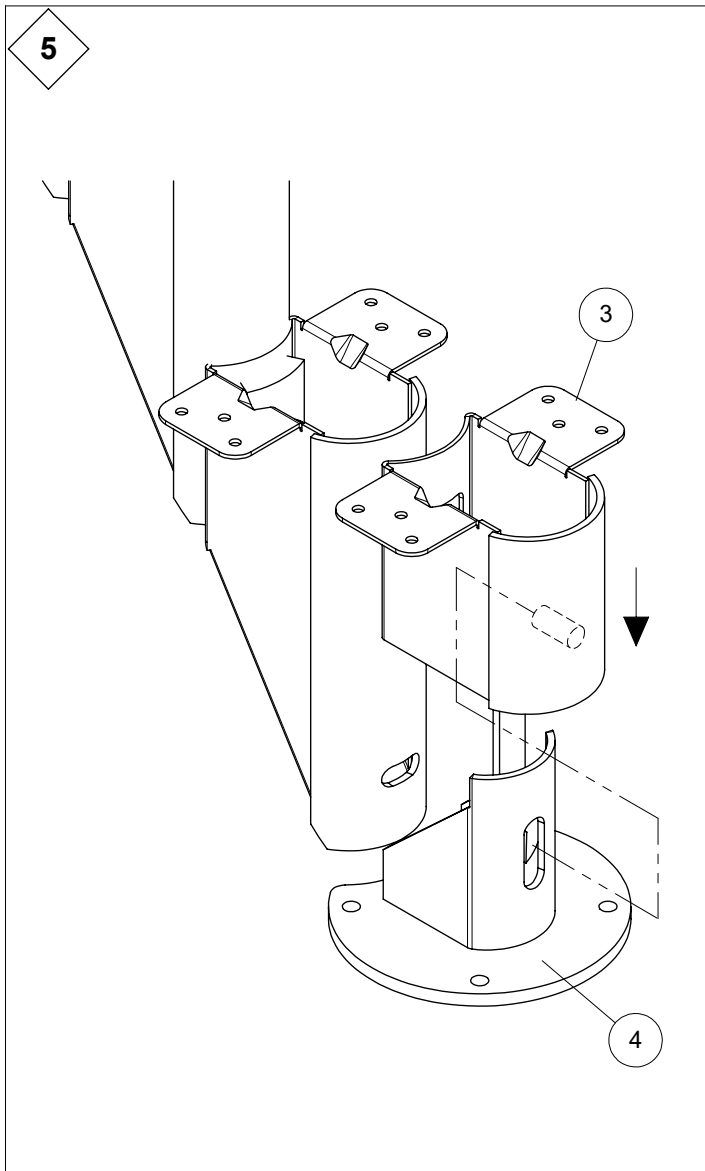
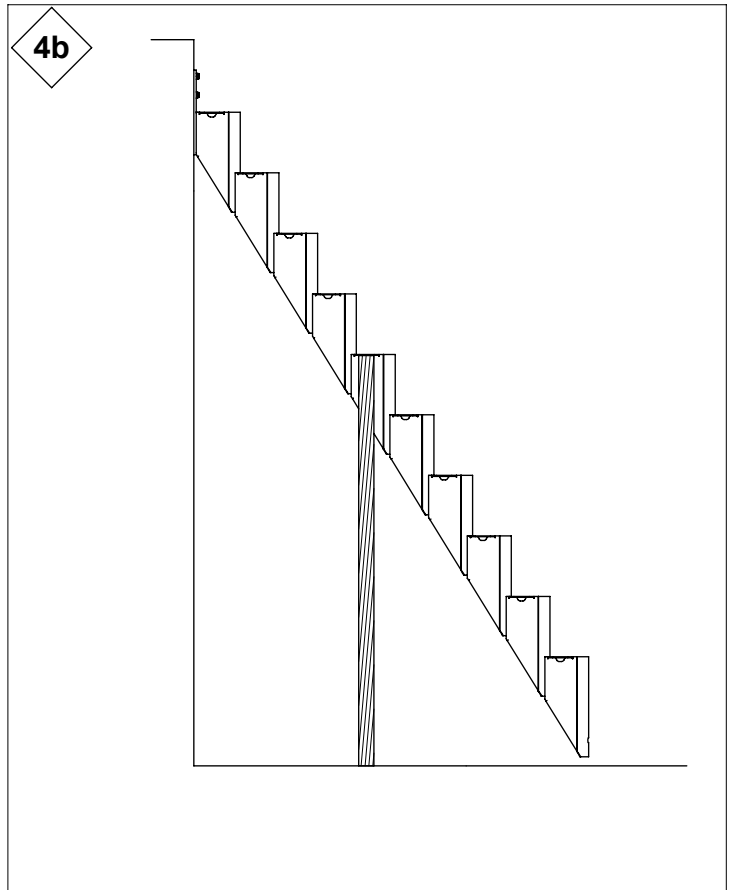
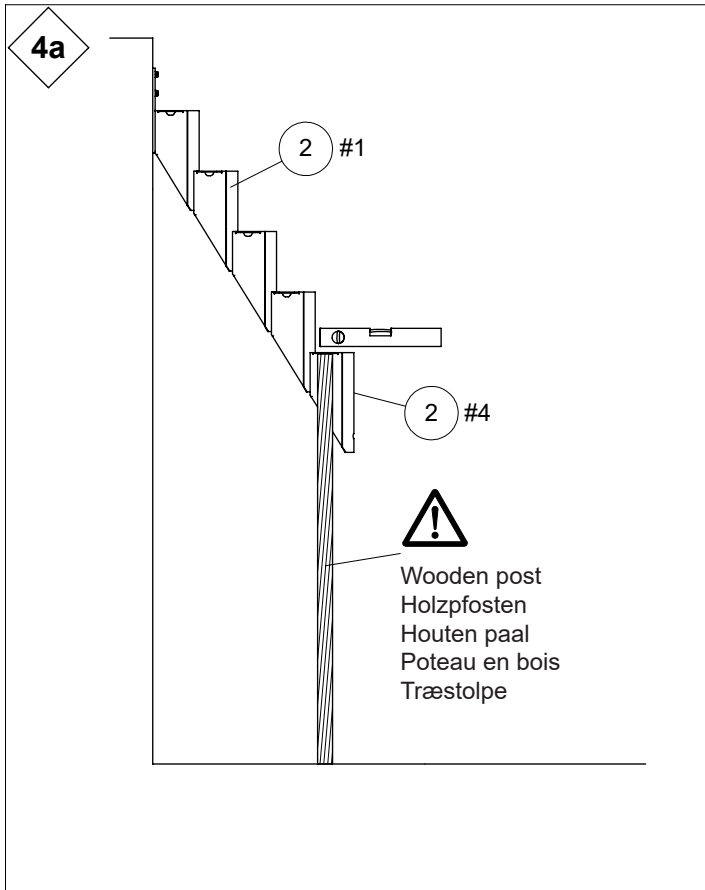


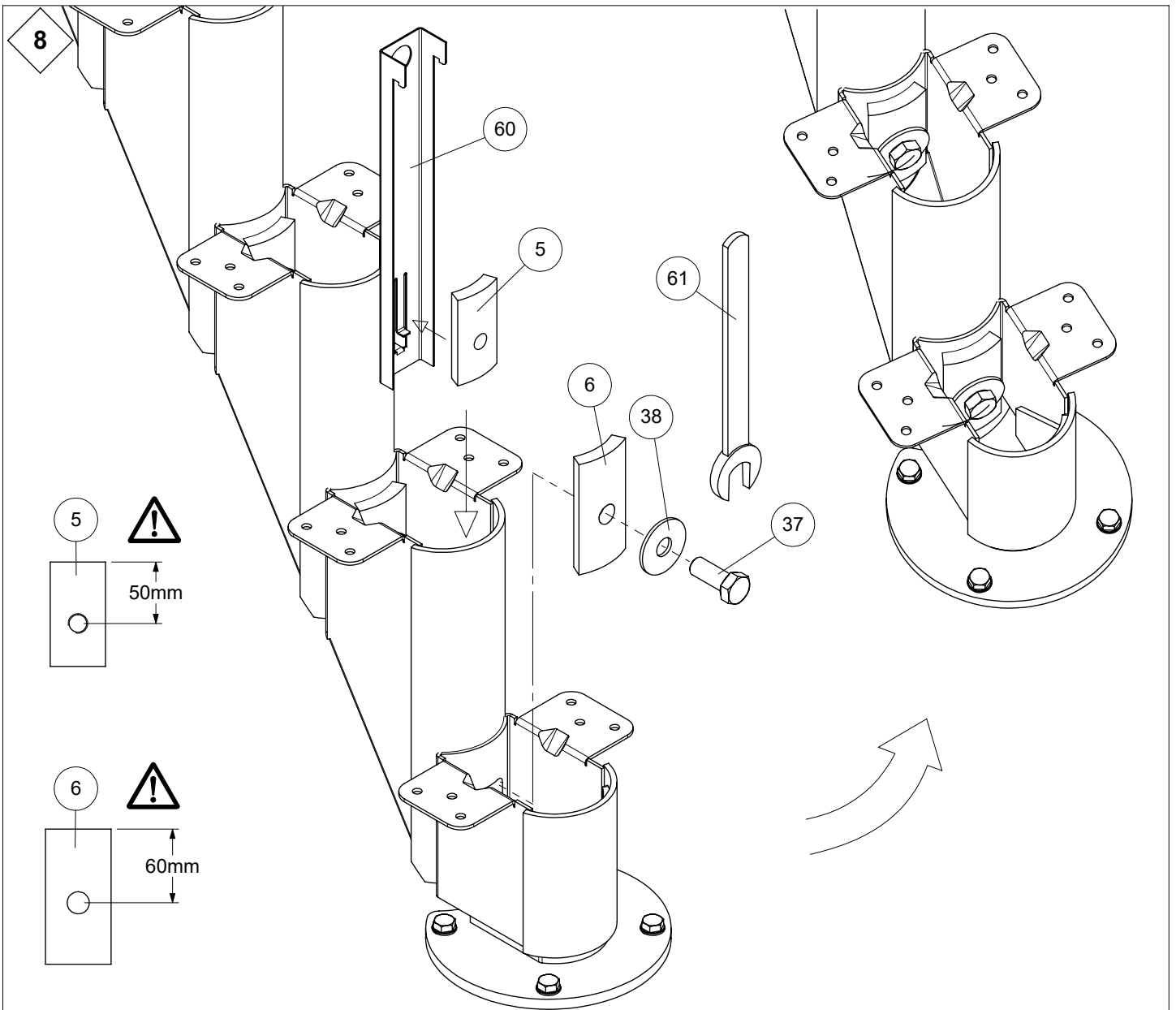
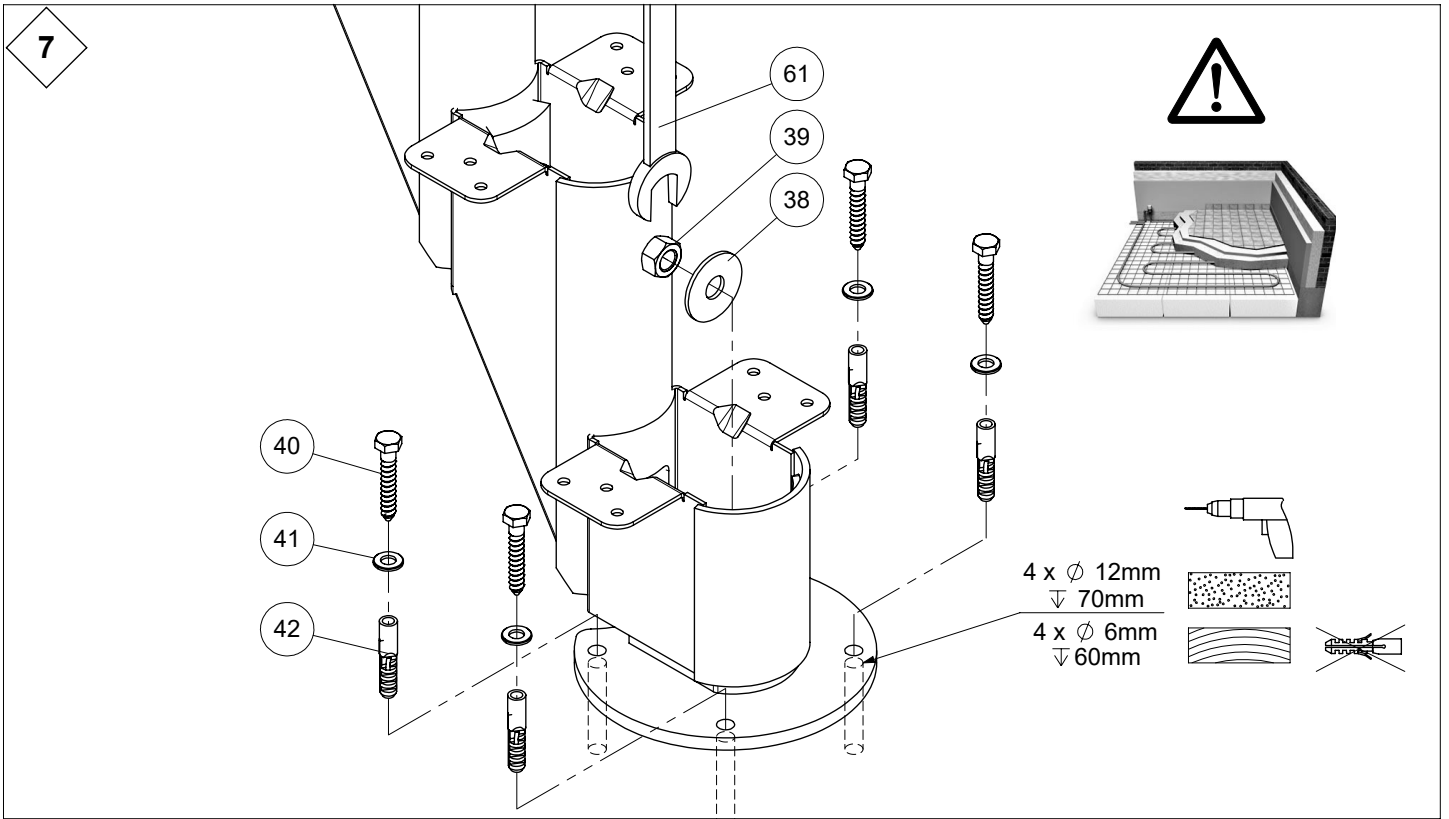


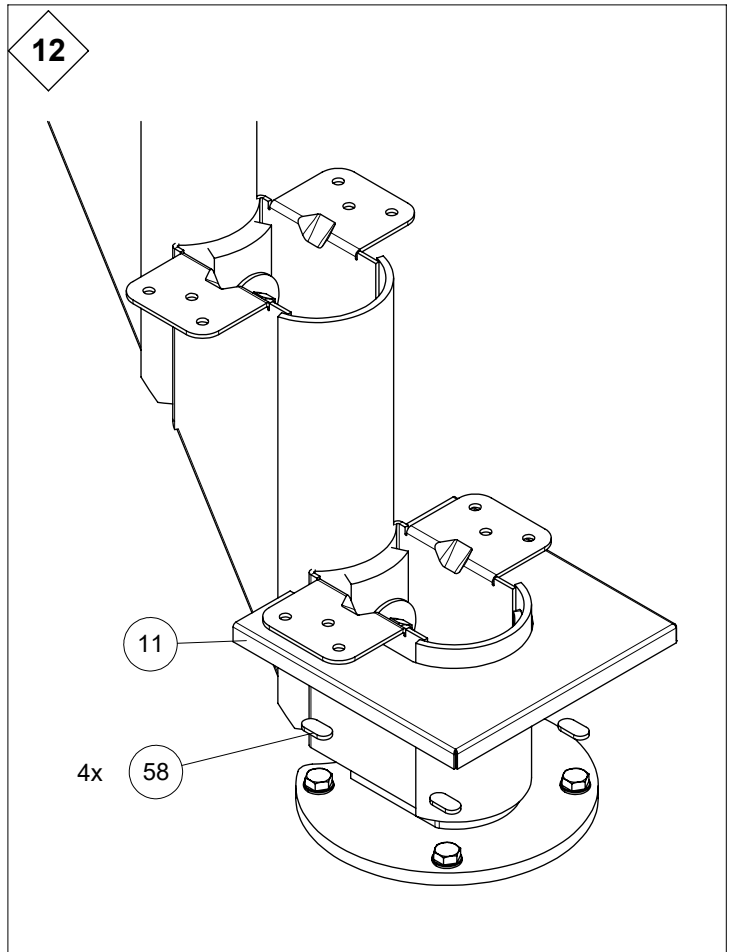
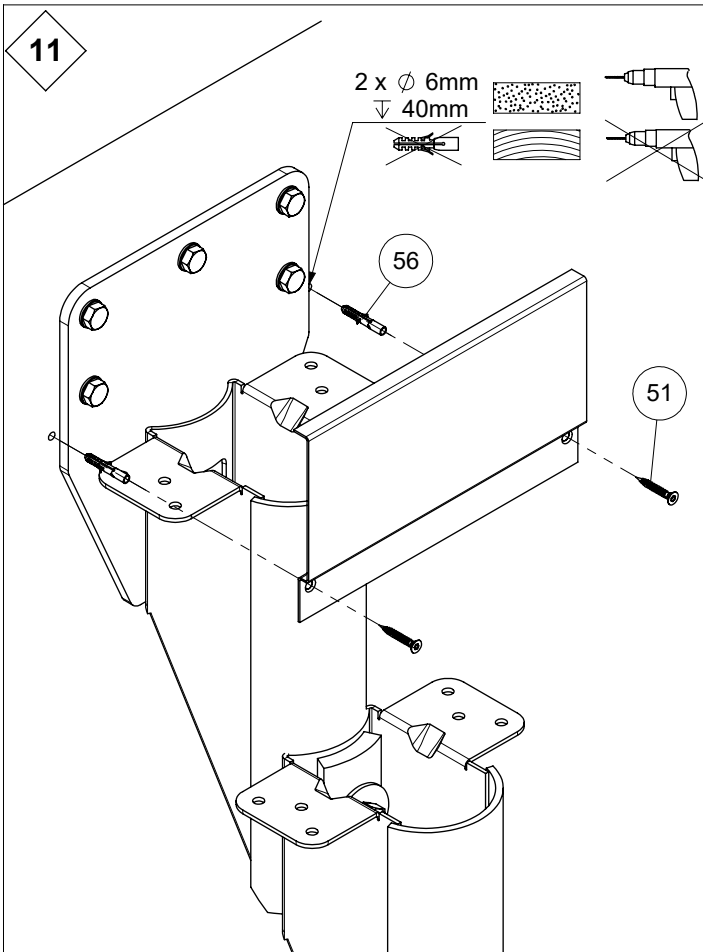
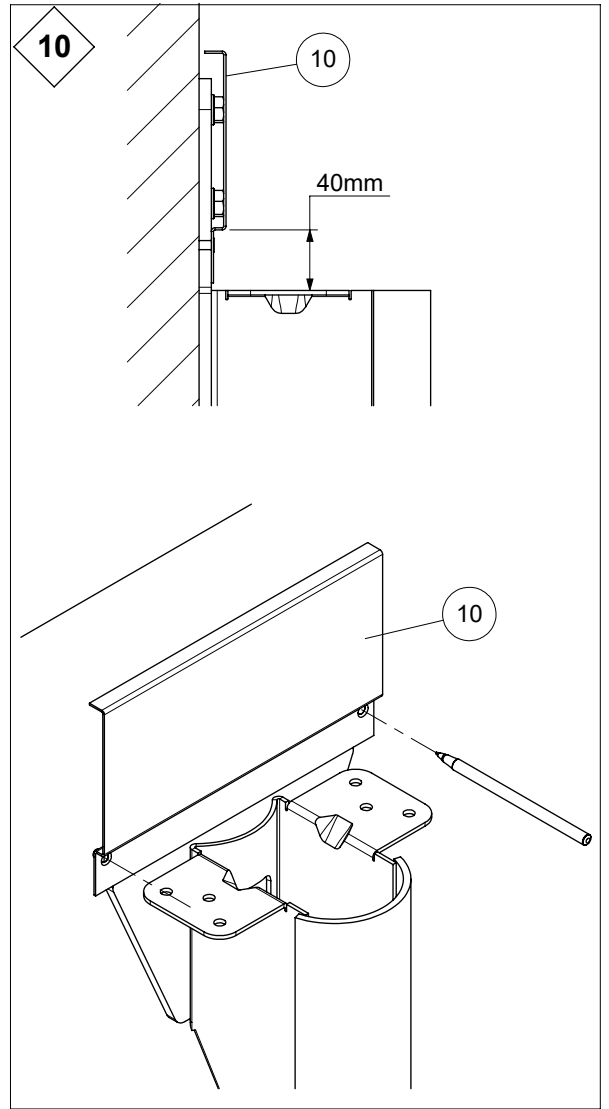
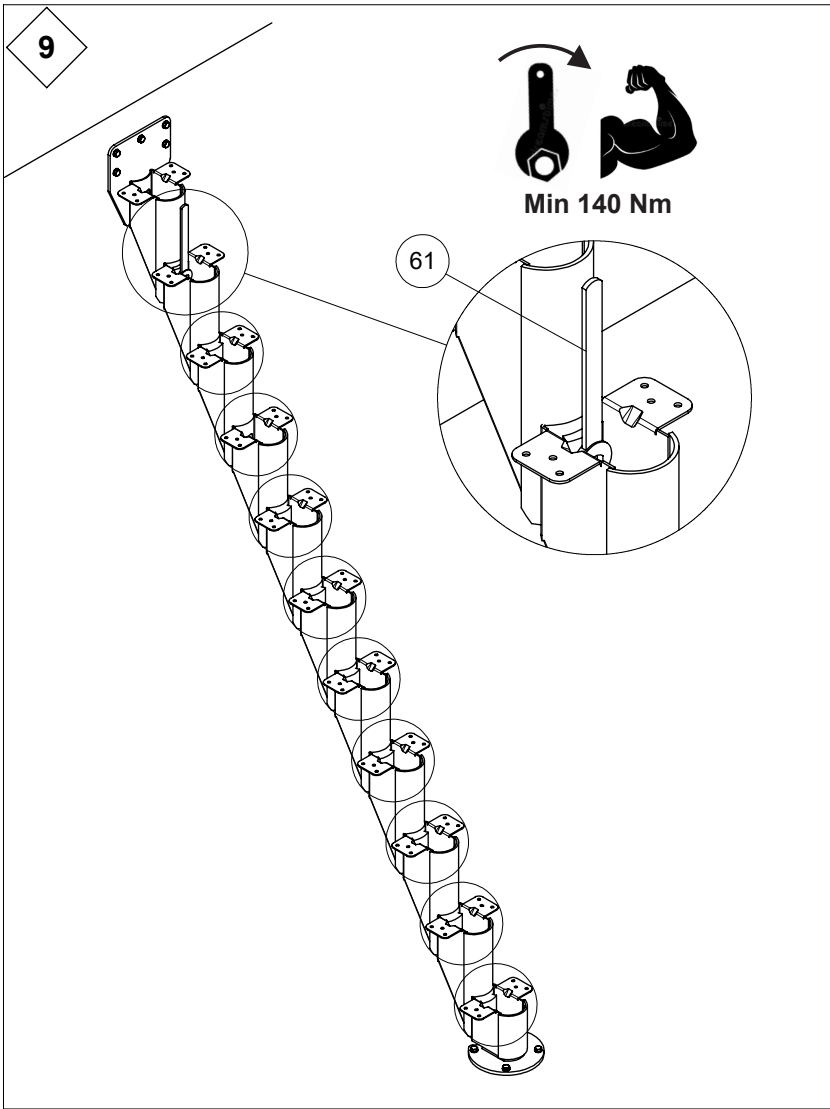


3







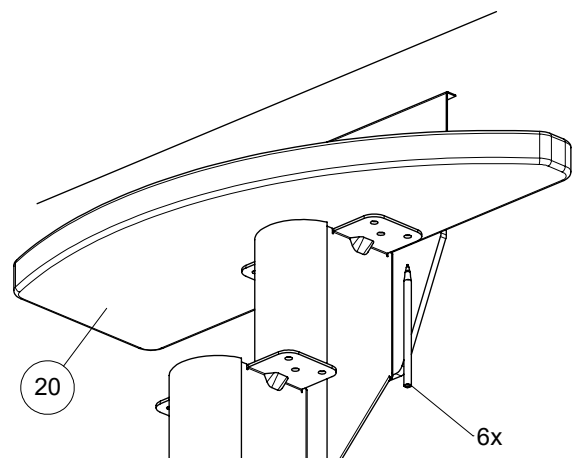
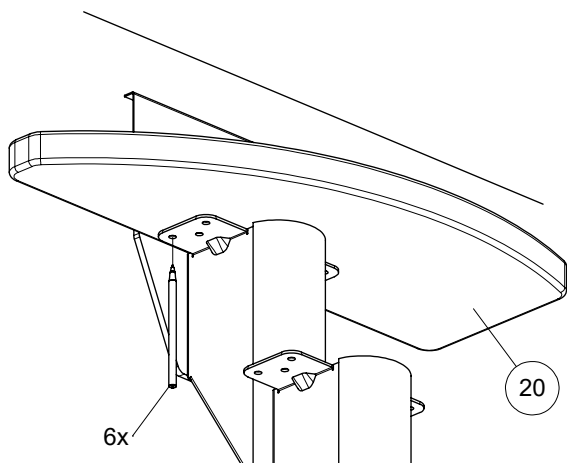
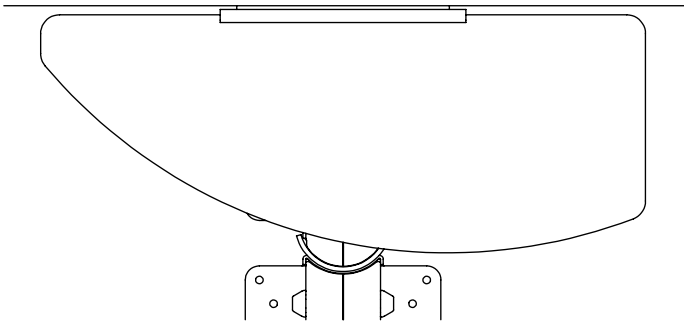
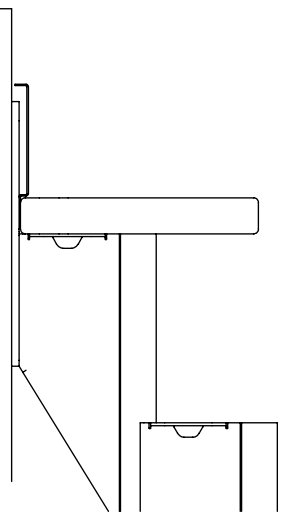
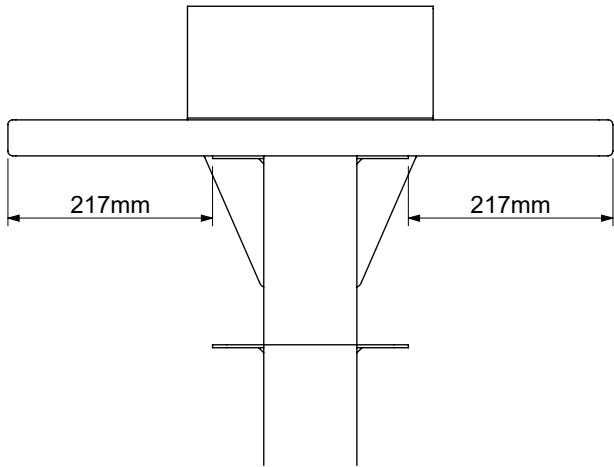
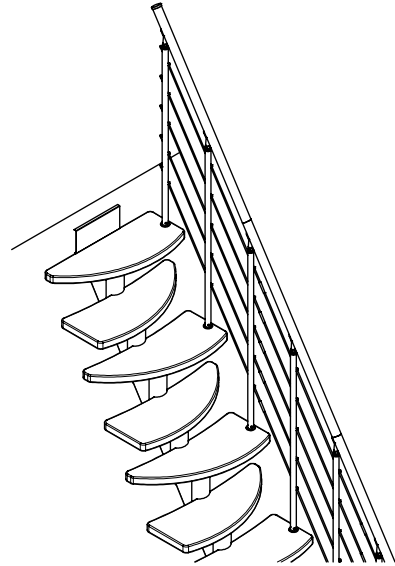
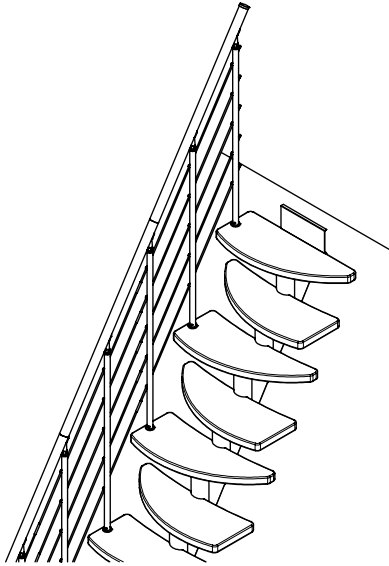


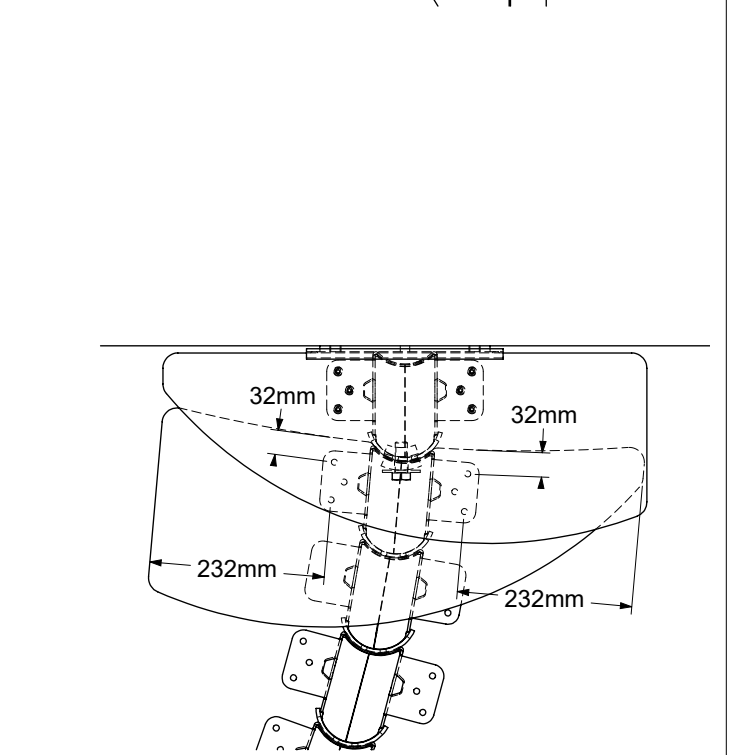
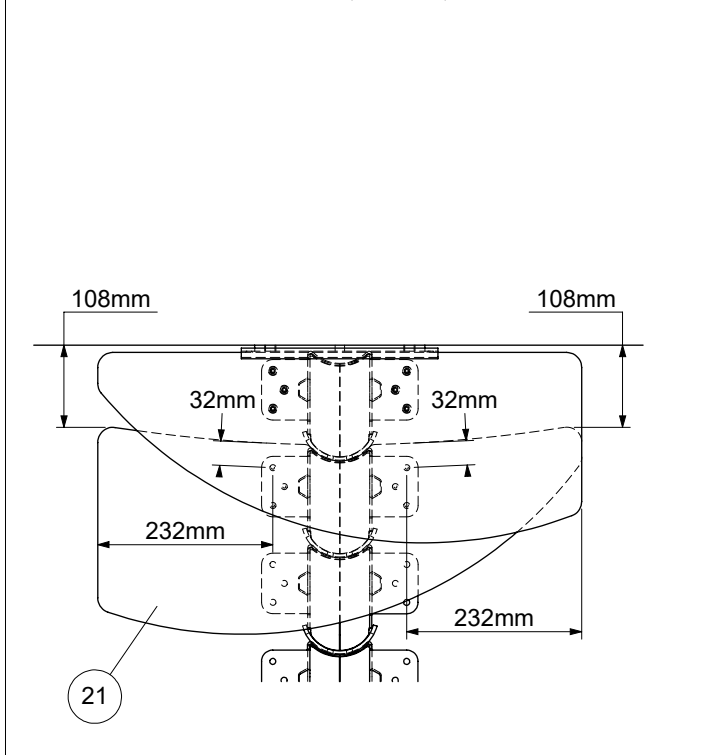
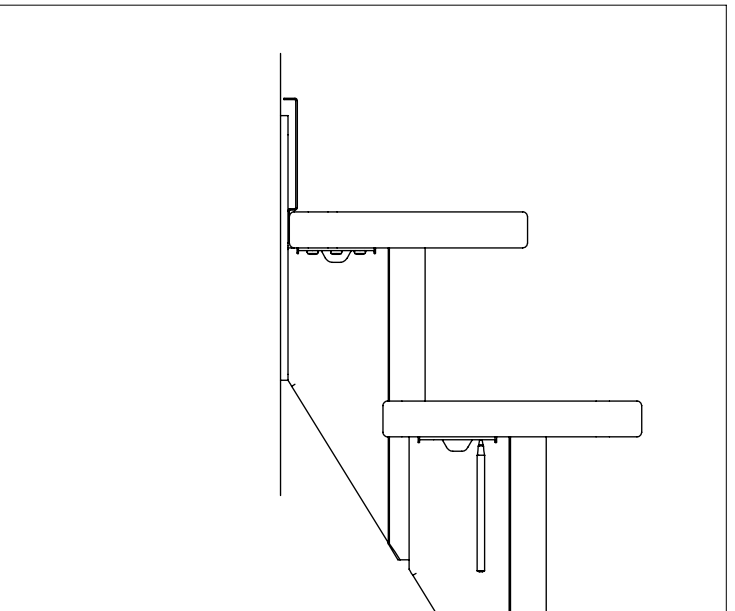
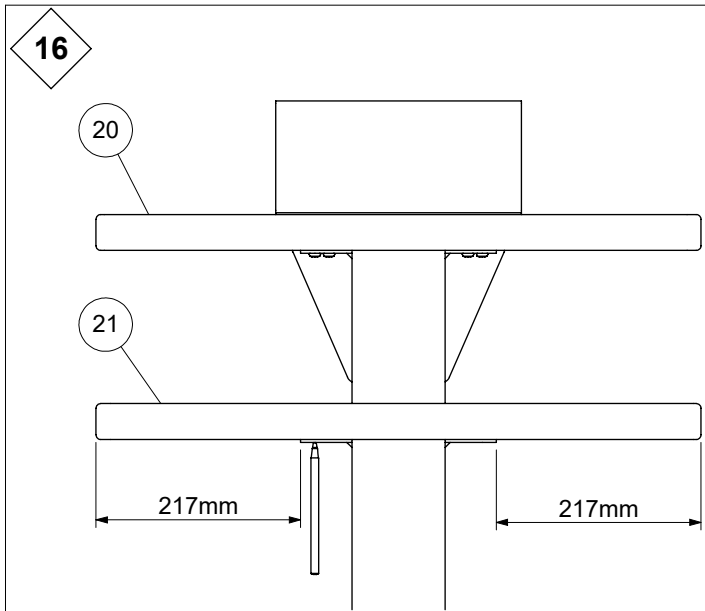
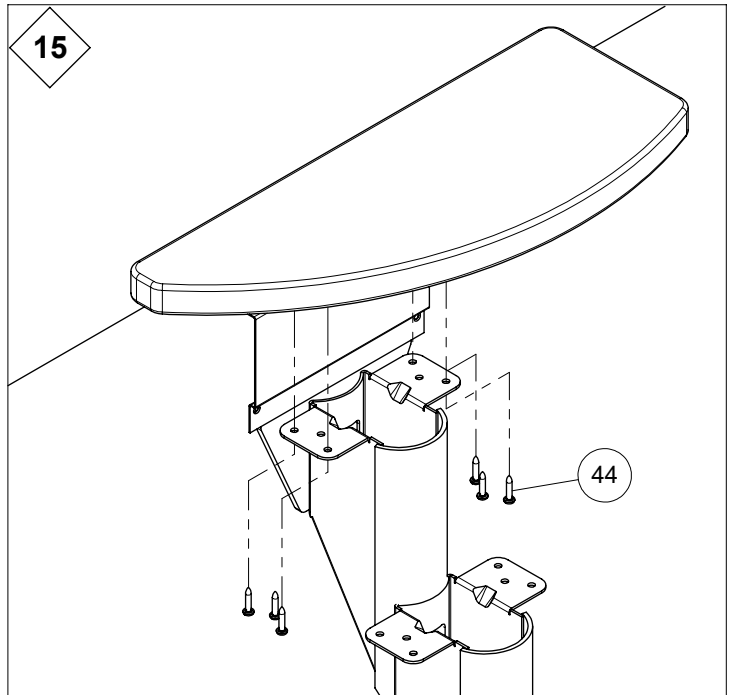
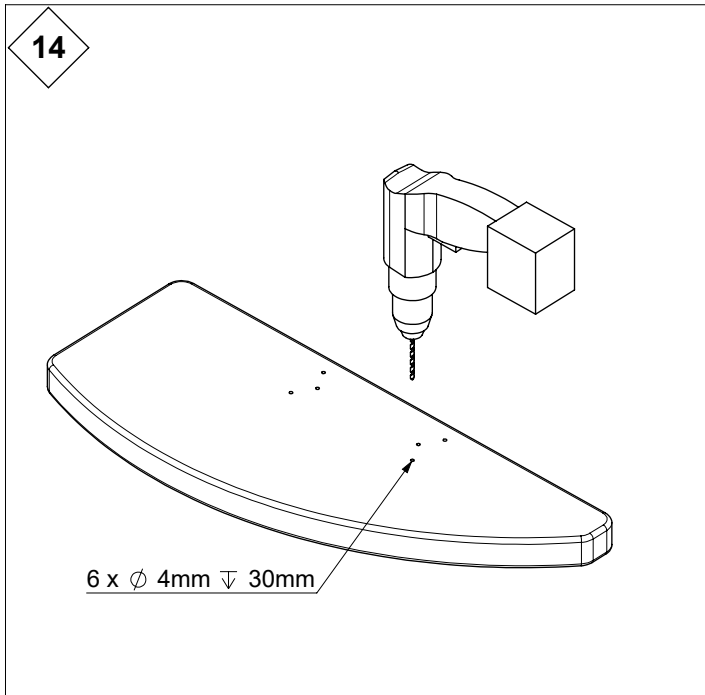
13



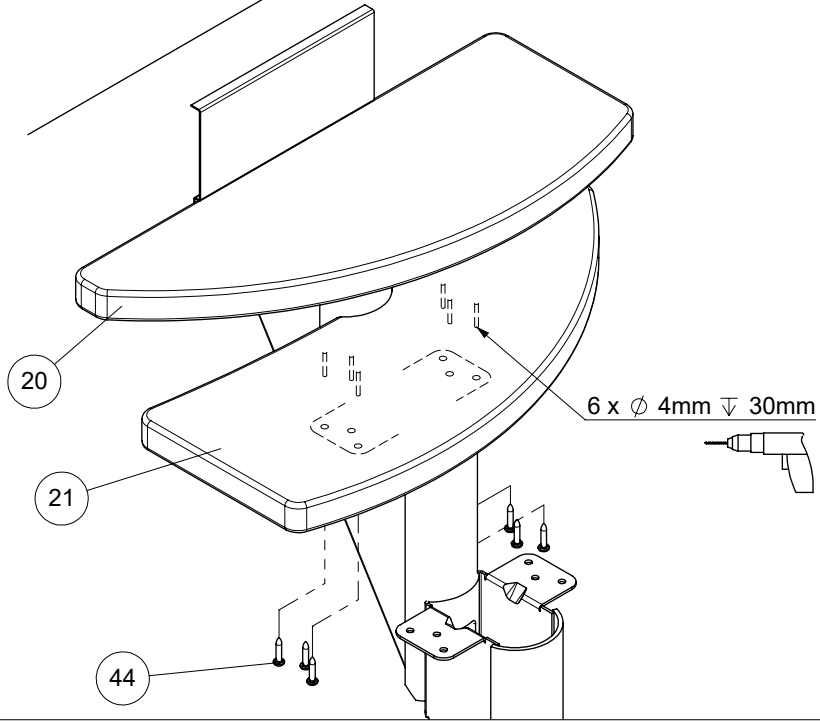
L

R

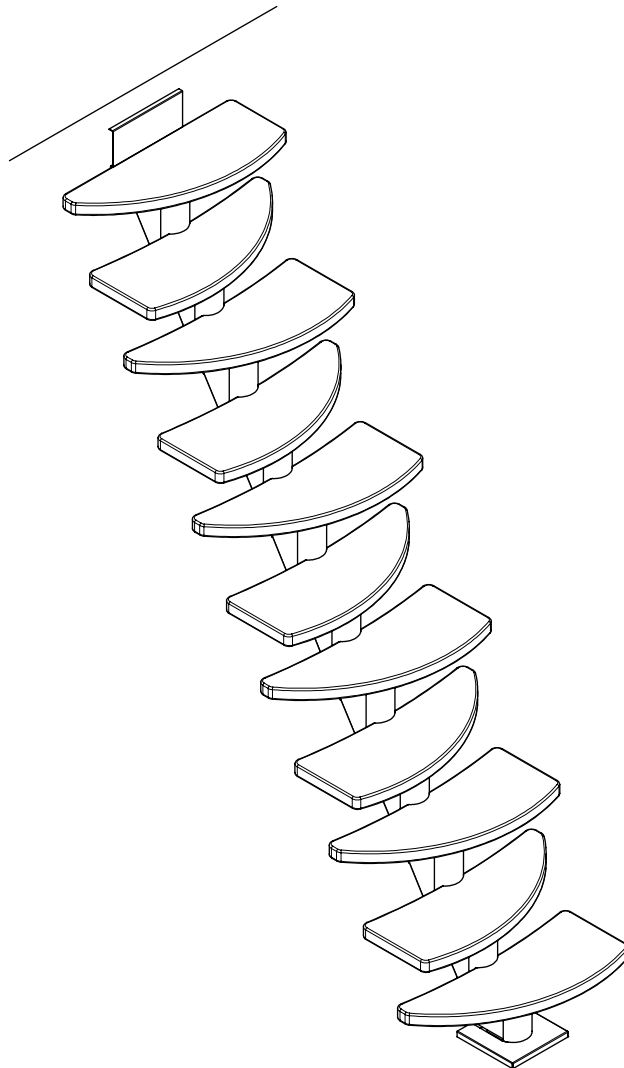


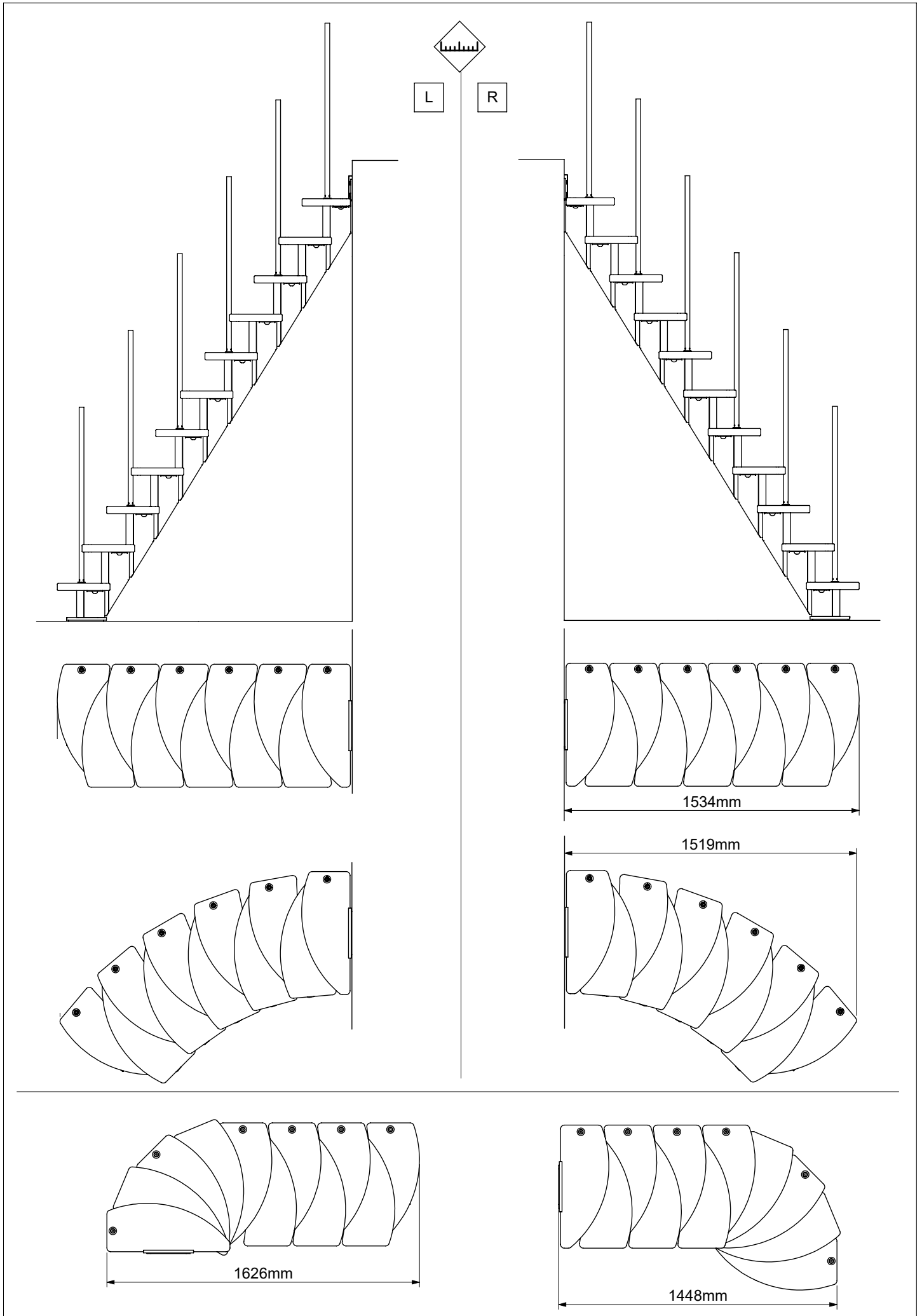


17

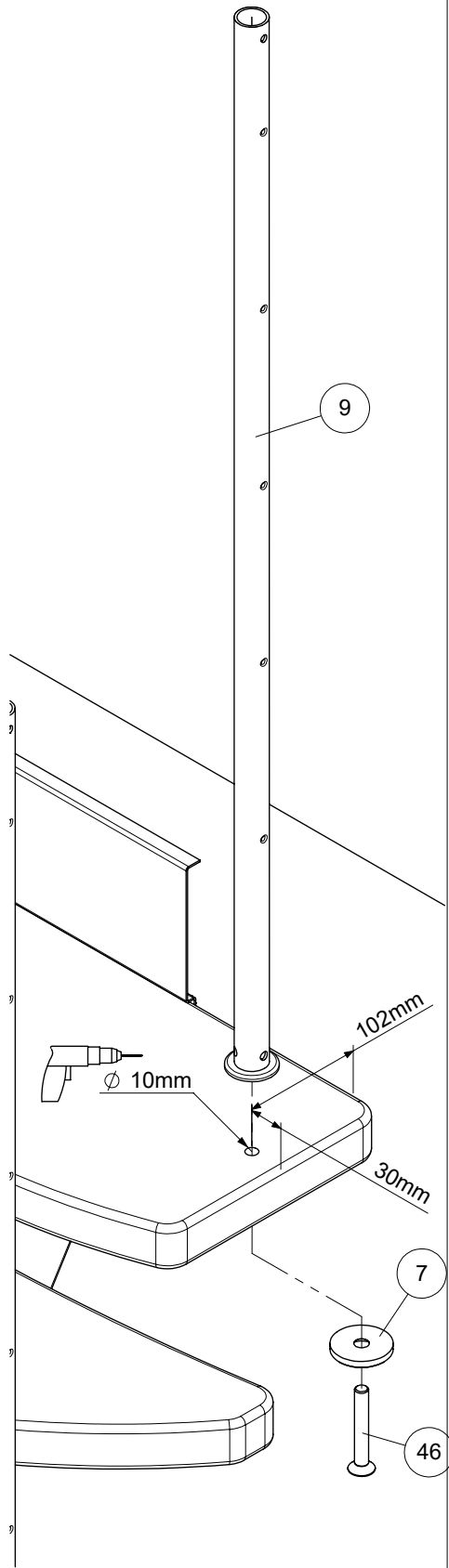


18

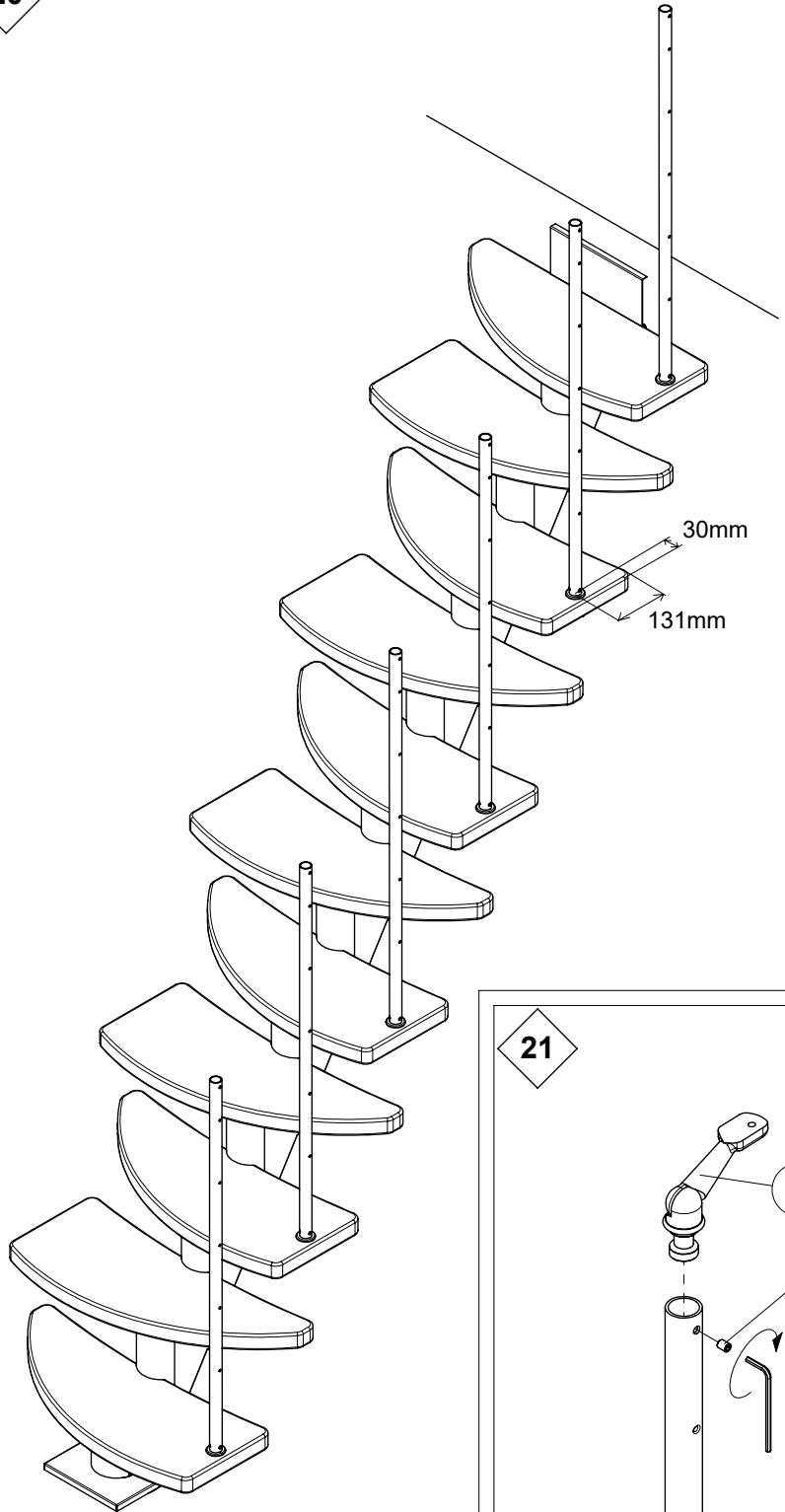




19



20



21

