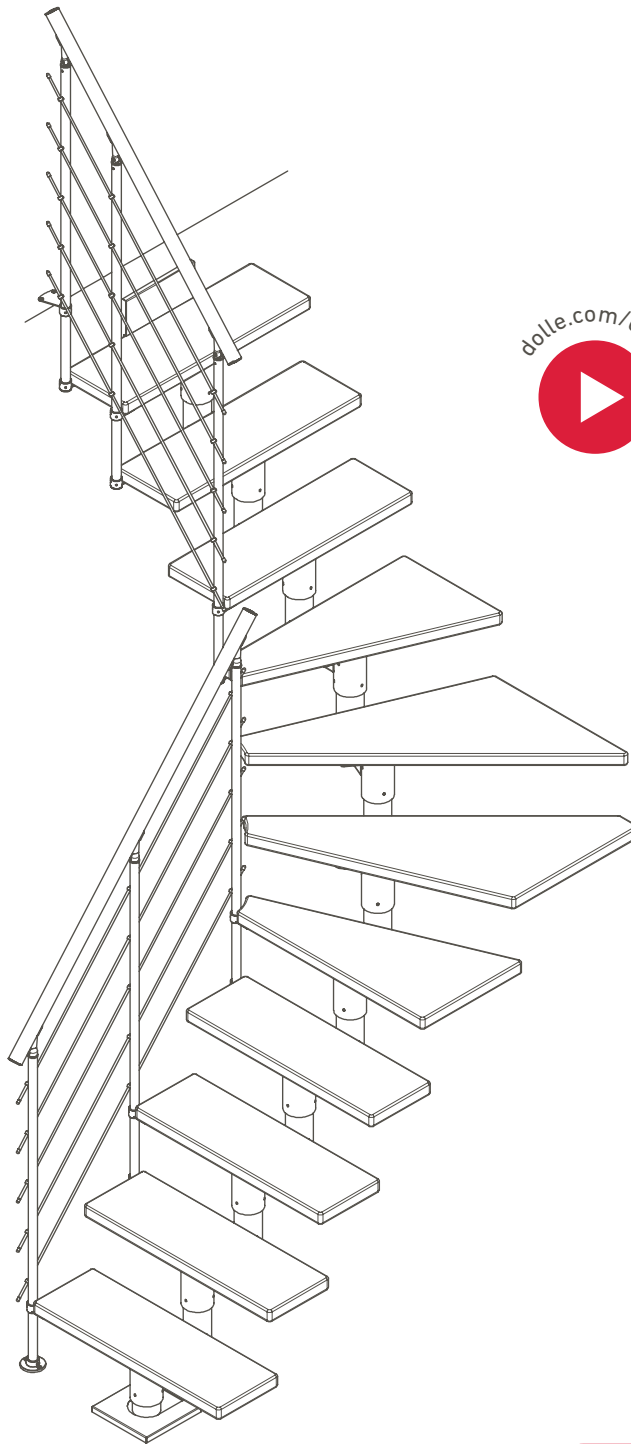


DOLLE®



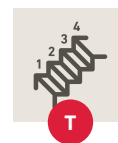
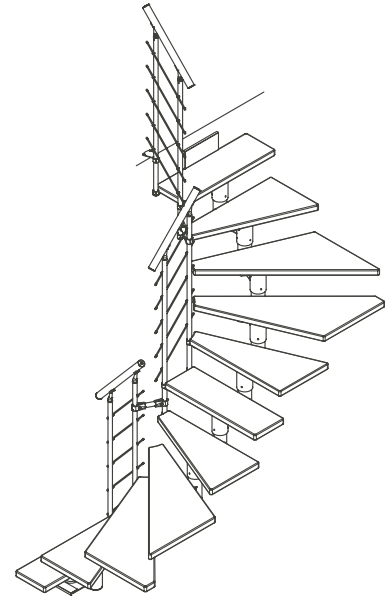
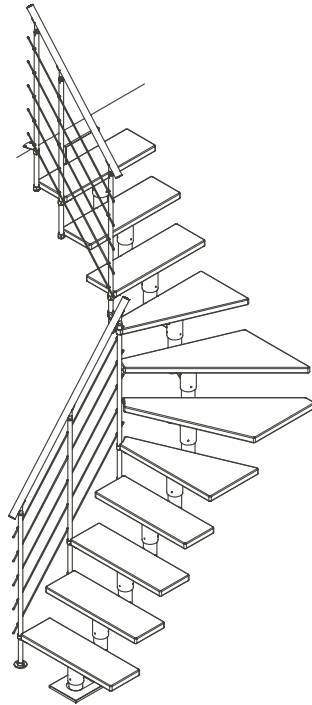
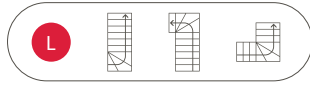
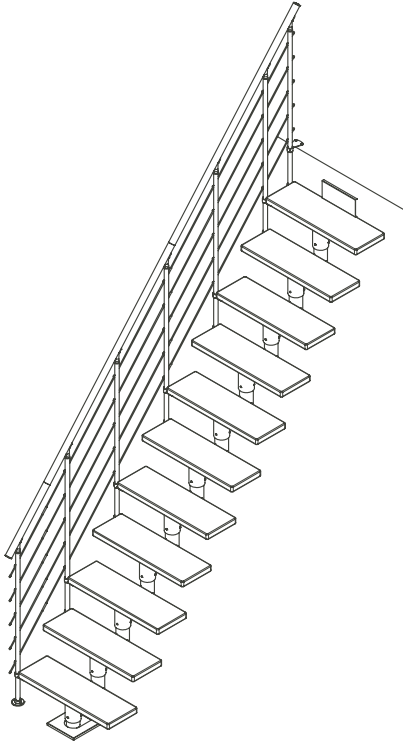
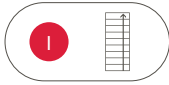
STYLE 6 BANISTER

CORK

**INSTRUCTION / MONTAGEANLEITUNG
INSTRUKTION / INSTRUCCIÒN / INSTRUKCJA**

SOGEM®

PART OF DOLLE GROUP



	Height floor-to-floor	Rise height	Number of treads
	Geschosshöhe	Steigungshöhe	Anzahl Stufen
	Hauteur sol-sol	Hauteur de marche	Nombre de marches
	Altura de suelo/suelo	Altura de peldaños	Numero de peldaños
	Altura do chão / chão	Altura do degrau	Número de etapas (degraus)
	Hoogte vloer/vloer	Hoogte trede	Aantal treden
	Etagehøjde	Stigningshøjde	Antal trin
	Golv till golv höjd	Stigningshöjd	Antal steg
	Wysokość kondygnacji od podłogi do podłogi	Wysokość stopnia	Ilość stopni
	Înălțime sol-sol	Înălțime treaptă	Număr trepte
	Výška patra podlaha-podlaha	Výška schodu	Počet nášlapů
	Высота от пола до пола	Шаг ступени	Кол-во ступеней
	Aukšto aukštis	Pakopos aukštis	Pakopų kiekis
	Stáva augstums	Pakāpiena augstums	Pakāpienu skaits
	Korruse kõrgus	Astme kõrgus	Astmete arv
	Višina nadstropja	Višina stopnice	Število stopnic
	Visina kata	Visina stepenice	Broj stepenica
	Výška podlažia	Výška stupňa	Počet stupňov

1

x 1
 K2-1077260 RAL 7016
 K2-1077261 RAL 9005
 K2-1077262 Pearl grey
 K2-1077263 RAL 9016

2

	11	12	13	14	15
x	8	9	10	11	12

x 1
 K2-1077265 RAL 7016
 K2-1077266 RAL 9005
 K2-1077267 Pearl grey
 K2-1077268 RAL 9016

3

x 1
 K2-1077270 RAL 7016
 K2-1077241 RAL 9005
 K2-1077242 Pearl grey
 K2-1077243 RAL 9016

4

x 1
 K2-1077275 RAL 7016
 K2-1077276 RAL 9005
 K2-1077277 Pearl grey
 K2-1077278 RAL 9016

5

x 1
 K2-1077210 RAL 7016
 K2-1077241 RAL 9005
 K2-1077242 Pearl grey
 K2-1077243 RAL 9016

6

	11	12	13	14	15
x	0	0	1	1	1

x 1
 K1-1077280 RAL 7016
 K1-1077281 RAL 9005
 K1-1077282 Pearl grey
 K1-1077283 RAL 9016

7

x 1
 K2-1077030 RAL 7016
 K2-1077031 RAL 9005
 K2-1077032 Pearl grey
 K2-1077033 RAL 9016

8

	11	12	13	14	15	
	I	12	12	14	14	16
x	L	12	12	12	14	14
	U	12	12	12	14	14

x 1
 K2-1077025 RAL 7016
 K2-1077026 RAL 9005
 K2-1077027 Pearl grey
 K2-1077028 RAL 9016

9

x 1
 K2-1077610 RAL 7016
 K2-1077611 RAL 9005
 K2-1077612 Pearl grey
 K2-1077613 RAL 9016

10

	11	12	13	14	15	
	I	7	7	8	8	9
x	L	7	7	7	8	8
	U	7	7	7	8	8

x 1
 K2-1077195 RAL 7016
 K2-1077196 RAL 9005
 K2-1077197 Pearl grey
 K2-1077198 RAL 9016

11

x 1
 K1-1077290 RAL 7016
 K1-1077291 RAL 9005
 K1-1077292 Pearl grey
 K1-1077293 RAL 9016

12

x 1
 K1-1077070 RAL 7016
 K1-1077071 RAL 9005
 K1-1077072 Pearl grey
 K1-1077073 RAL 9016

13

x 1
 K1-1077175 RAL 7016
 K1-1077176 RAL 9005
 K1-1077177 Pearl grey
 K1-1077178 RAL 9016

14

	11	12	13	14	15
x	10	11	12	13	14

x 1
 K1-1077040 RAL 7016
 K1-1077041 RAL 9005
 K1-1077042 Pearl grey
 K1-1077043 RAL 9016

15

	11	12	13	14	15	
	I	6	6	7	7	8
x	L	6	6	6	7	7
	U	6	6	6	7	7

x 1
 K1-1077045 RAL 7016
 K1-1077046 RAL 9005
 K1-1077047 Pearl grey
 K1-1077048 RAL 9016

16

	11	12	13	14	15	
x	I	6	6	7	7	8
	L	6	6	6	7	7
	U	6	6	6	7	7

x 1
 K1-1077605 RAL 7016
 K1-1077606 RAL 9005
 K1-1077607 Pearl grey
 K1-1077608 RAL 9016

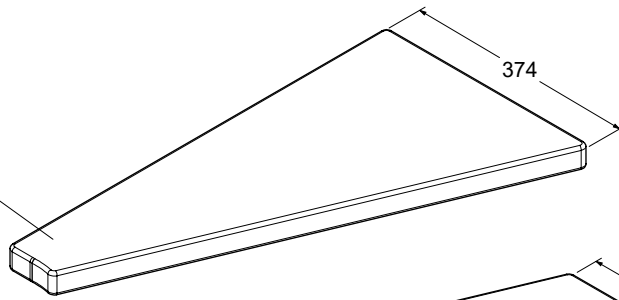
17

x 1
 K1-1077600 RAL 7016
 K1-1077601 RAL 9005
 K1-1077602 Pearl grey
 K1-1077603 RAL 9016

	I	0
x	L	1
	U	2

24

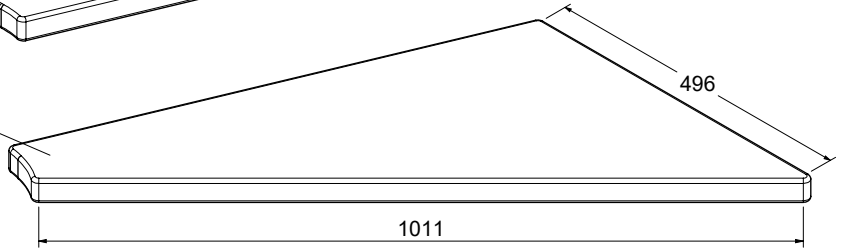
M2-1078209 *Beech / Buche / Beuk / Hêtre / Bøg*
M2-1078219 *Oak / Eiche / Eik / Chêne / Eg*



	I	0
x	L	1
	U	2

23

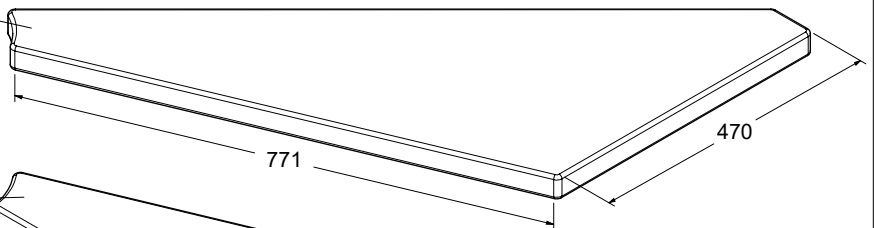
M2-1078208 *Beech / Buche / Beuk / Hêtre / Bøg*
M2-1078218 *Oak / Eiche / Eik / Chêne / Eg*



	I	0
x	L	1
	U	2

22

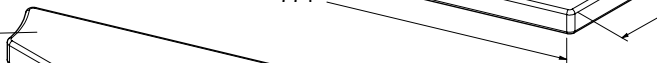
M2-1078207 *Beech / Buche / Beuk / Hêtre / Bøg*
M2-1078217 *Oak / Eiche / Eik / Chêne / Eg*



	I	0
x	L	1
	U	2

21

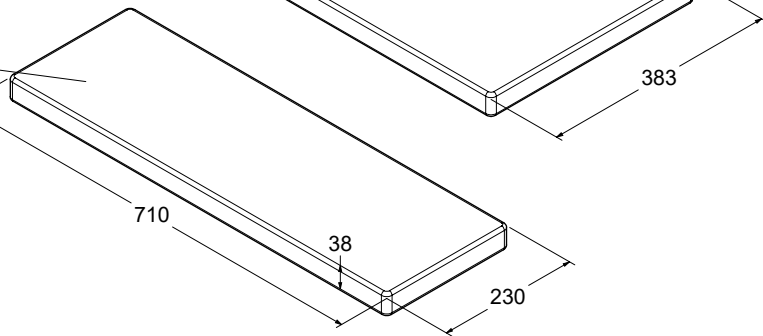
M2-1078206 *Beech / Buche / Beuk / Hêtre / Bøg*
M2-1078216 *Oak / Eiche / Eik / Chêne / Eg*



		11	12	13	14	15
	I	11	12	13	14	15
x	L	7	8	9	10	11
	U	3	4	5	6	7

20

M2-1078201 *Beech / Buche / Beuk / Hêtre / Bøg*
M2-1078211 *Oak / Eiche / Eik / Chêne / Eg*



27

x 6
K1-1077150 *RAL 7016*
K1-1077151 *RAL 9005*
K1-1077152 *Pearl grey*
K1-1077153 *RAL 9016*

29

		11	12	13	14	15
	I	35	35	40	40	45
x	L	35	35	35	40	40
	U	35	35	35	40	40

K1-1077202

30

x 30
K1-04050

31

x 10
K1-14939

32

Ø 40

1500

		11	12	13	14	15
	I	3	3	3	3	3
x	L	2	2	3	3	3
	U	2	2	2	2	2

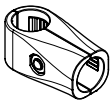
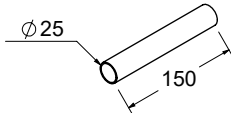
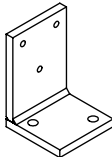
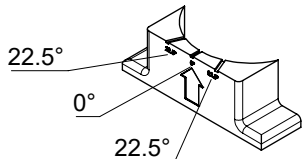
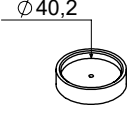


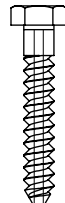


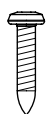

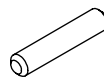



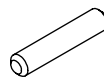



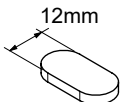


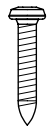

1078905 *Beech / Buche / Beuk / Hêtre / Bøg*
1078915 *Oak / Eiche / Eik / Chêne / Eg*

33

Ø 6

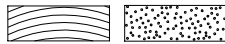
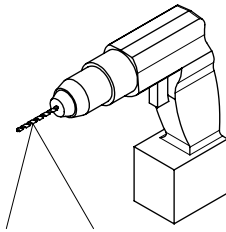
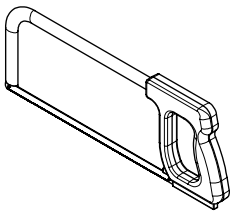
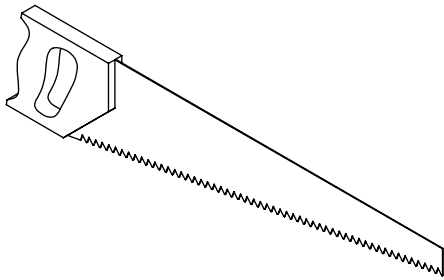
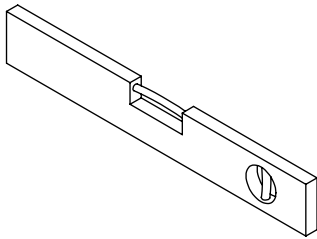
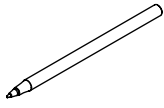
1500

x 15
K1-14077

<p>34</p> <p>x 4 K2-1077170 RAL 7016 K2-1077171 RAL 9005 K2-1077172 Pearl grey K2-1077173 RAL 9016</p> 	<p>35</p> <p>x 2 K1-1077165 RAL 7016 K1-1077166 RAL 9005 K1-1077167 Pearl grey K1-1077168 RAL 9016</p> 	<p>36</p> <p>x 4 K1-1077295 RAL 7016 K1-1077296 RAL 9005 K1-1077297 Pearl grey K1-1077298 RAL 9016</p> 																																																																									
<p>37</p> <p>x 1 K1-08270</p> 	<p>38</p> <p>x 1 K1-01620</p> 																																																																										
<p>40</p> <p>x 17 K3-08001 Ø12 x 60</p> 	<p>41</p> <p>x 17 K3-04001 Ø10</p> 	<p>42</p> <p>x 17 K3-06003 Ø10 x 60</p> 	<p>43</p> <table border="1" data-bbox="1157 638 1412 705"> <tr><td></td><td>11</td><td>12</td><td>13</td><td>14</td><td>15</td></tr> <tr><td>x</td><td>61</td><td>66</td><td>71</td><td>76</td><td>81</td></tr> </table> <p>K3-05003 M8 x 6</p> 		11	12	13	14	15	x	61	66	71	76	81																																																												
	11	12	13	14	15																																																																						
x	61	66	71	76	81																																																																						
<p>44</p> <table border="1" data-bbox="79 817 359 929"> <tr><td></td><td>11</td><td>12</td><td>13</td><td>14</td><td>15</td></tr> <tr><td>I</td><td>90</td><td>96</td><td>106</td><td>112</td><td>122</td></tr> <tr><td>L</td><td>90</td><td>96</td><td>102</td><td>112</td><td>118</td></tr> <tr><td>U</td><td>90</td><td>96</td><td>102</td><td>112</td><td>118</td></tr> </table> <p>x K3-06130 Ø6 x 30 TX30</p> 		11	12	13	14	15	I	90	96	106	112	122	L	90	96	102	112	118	U	90	96	102	112	118	<p>45</p> <table border="1" data-bbox="438 817 702 929"> <tr><td></td><td>11</td><td>12</td><td>13</td><td>14</td><td>15</td></tr> <tr><td>I</td><td>26</td><td>26</td><td>30</td><td>30</td><td>34</td></tr> <tr><td>L</td><td>26</td><td>26</td><td>26</td><td>30</td><td>30</td></tr> <tr><td>U</td><td>26</td><td>26</td><td>26</td><td>30</td><td>30</td></tr> </table> <p>x K3-05056 M6 x 5</p> 		11	12	13	14	15	I	26	26	30	30	34	L	26	26	26	30	30	U	26	26	26	30	30	<p>46</p> <table border="1" data-bbox="798 817 1061 929"> <tr><td></td><td>11</td><td>12</td><td>13</td><td>14</td><td>15</td></tr> <tr><td>I</td><td>7</td><td>7</td><td>8</td><td>8</td><td>9</td></tr> <tr><td>L</td><td>7</td><td>7</td><td>7</td><td>8</td><td>8</td></tr> <tr><td>U</td><td>7</td><td>7</td><td>7</td><td>8</td><td>8</td></tr> </table> <p>x K3-05002 M6 x 8</p> 		11	12	13	14	15	I	7	7	8	8	9	L	7	7	7	8	8	U	7	7	7	8	8	<p>47</p> <p>x 10 R3-91415 Ø8 x 40</p> 
	11	12	13	14	15																																																																						
I	90	96	106	112	122																																																																						
L	90	96	102	112	118																																																																						
U	90	96	102	112	118																																																																						
	11	12	13	14	15																																																																						
I	26	26	30	30	34																																																																						
L	26	26	26	30	30																																																																						
U	26	26	26	30	30																																																																						
	11	12	13	14	15																																																																						
I	7	7	8	8	9																																																																						
L	7	7	7	8	8																																																																						
U	7	7	7	8	8																																																																						
<p>48</p> <table border="1" data-bbox="79 1052 343 1164"> <tr><td></td><td>11</td><td>12</td><td>13</td><td>14</td><td>15</td></tr> <tr><td>I</td><td>7</td><td>7</td><td>8</td><td>8</td><td>9</td></tr> <tr><td>L</td><td>7</td><td>7</td><td>7</td><td>8</td><td>8</td></tr> <tr><td>U</td><td>7</td><td>7</td><td>7</td><td>8</td><td>8</td></tr> </table> <p>x K3-06008 Ø5 x 25 PZ2</p> 		11	12	13	14	15	I	7	7	8	8	9	L	7	7	7	8	8	U	7	7	7	8	8	<p>49</p> <p>x 1 K3-90001</p> <p>Super glue</p> 	<p>50</p> <p>x 1 K1-01810</p> 	<p>51</p> <p>x 2 K3-06022 Ø5 x 35 TX25</p> 																																																
	11	12	13	14	15																																																																						
I	7	7	8	8	9																																																																						
L	7	7	7	8	8																																																																						
U	7	7	7	8	8																																																																						
<p>52</p> <table border="1" data-bbox="79 1288 343 1400"> <tr><td></td><td>11</td><td>12</td><td>13</td><td>14</td><td>15</td></tr> <tr><td>I</td><td>35</td><td>35</td><td>40</td><td>40</td><td>45</td></tr> <tr><td>L</td><td>35</td><td>35</td><td>35</td><td>40</td><td>40</td></tr> <tr><td>U</td><td>35</td><td>35</td><td>35</td><td>40</td><td>40</td></tr> </table> <p>x K3-05064 M4 x 4</p> 		11	12	13	14	15	I	35	35	40	40	45	L	35	35	35	40	40	U	35	35	35	40	40	<p>55</p> <p>x 1 K3-10010 M8</p> 	<p>56</p> <p>x 2 K3-08006 Ø6 x 40</p> 	<p>58</p> <p>x 8 R3-20590</p> 																																																
	11	12	13	14	15																																																																						
I	35	35	40	40	45																																																																						
L	35	35	35	40	40																																																																						
U	35	35	35	40	40																																																																						
<p>59</p> <p>x 1 K3-90005</p> <p>Wood glue Holzkleber Colle à bois Trælim</p> 	<p>60</p> <p>x 4 K3-08002 Ø8 x 40</p> 	<p>61</p> <p>x 12 R1-63267 Ø6 x 35 TX30</p> 	<p>62</p> <p>x 4 K3-06027 Ø5 x 50 TX25</p> 																																																																								



Tools not included!
Werkzeuge nicht enthalten!
Gereedschap niet inbegrepen!
Outils non inclus!
Værktøj ikke inkluderet!



- ∅ 3mm ∅ 6mm
- ∅ 4mm ∅ 12mm
- ∅ 6mm
- ∅ 8mm
- ∅ 10mm



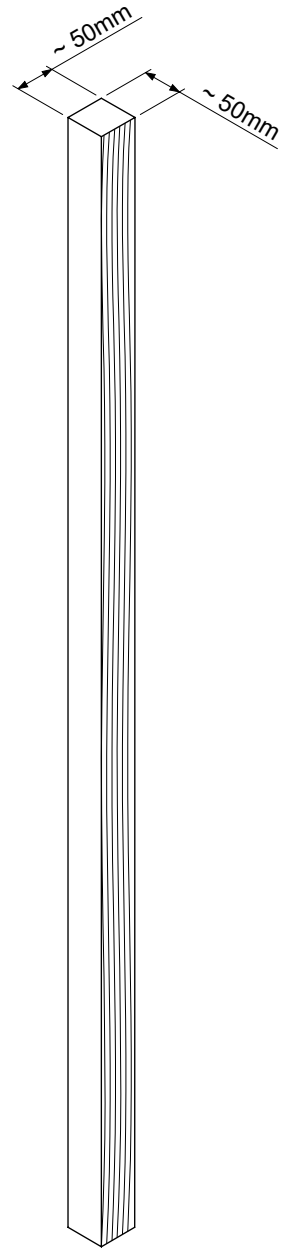
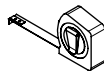
TX25
TX30
PZ2



- 3mm
- 4mm
- 6mm



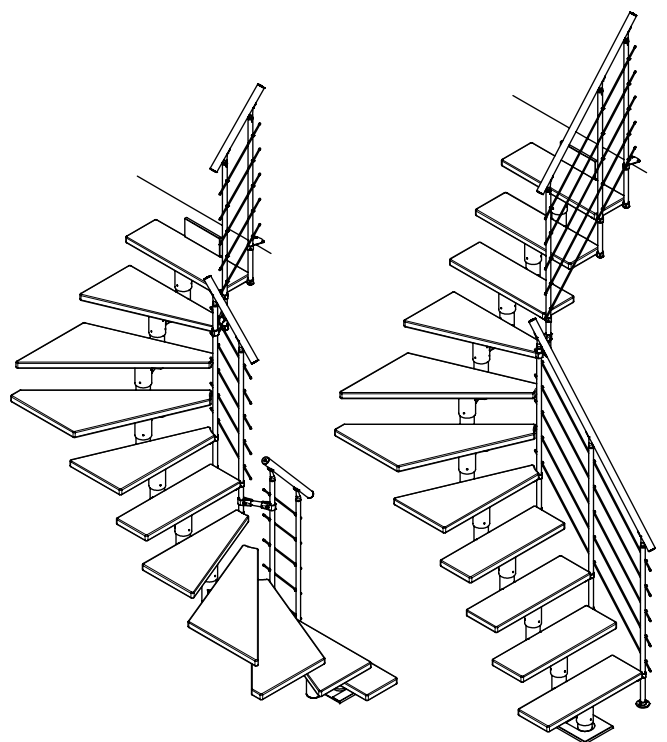
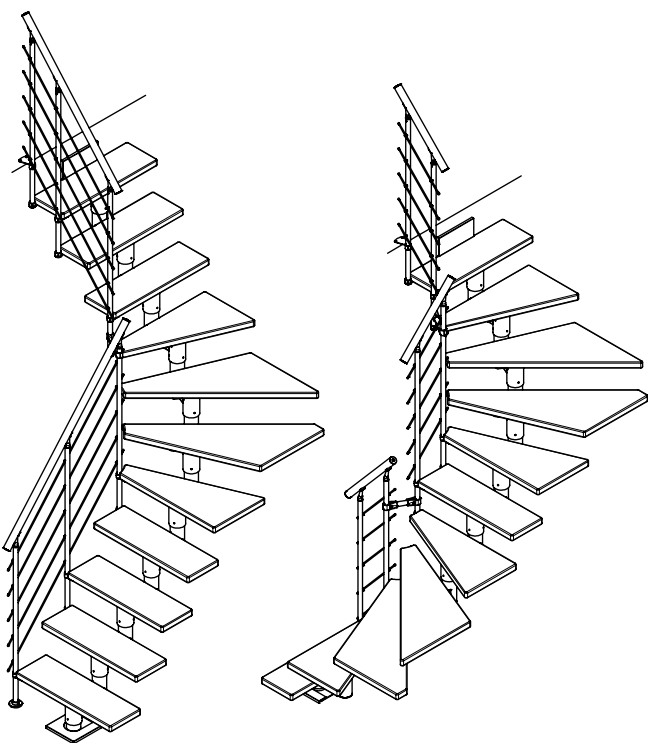
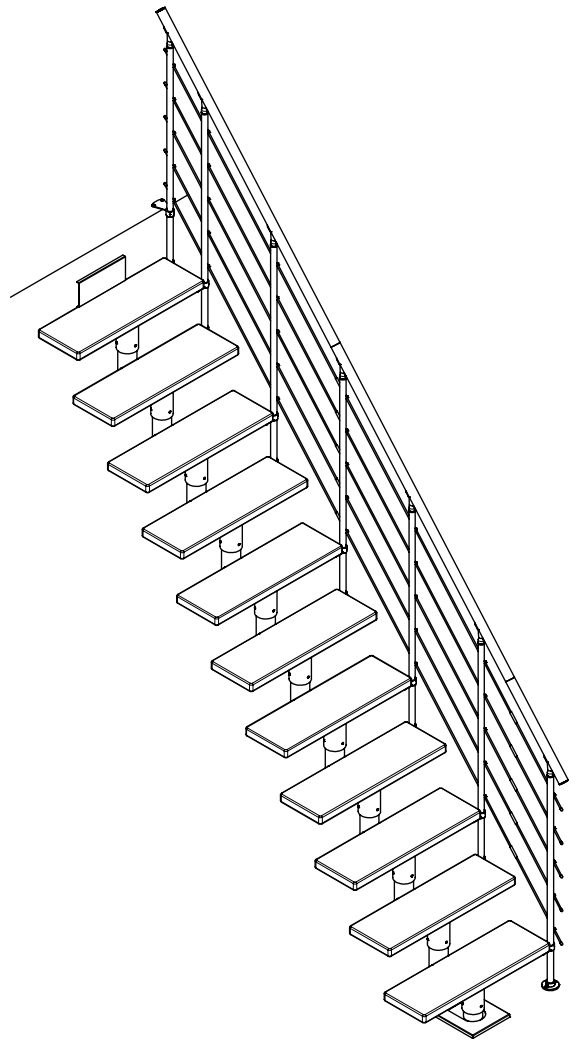
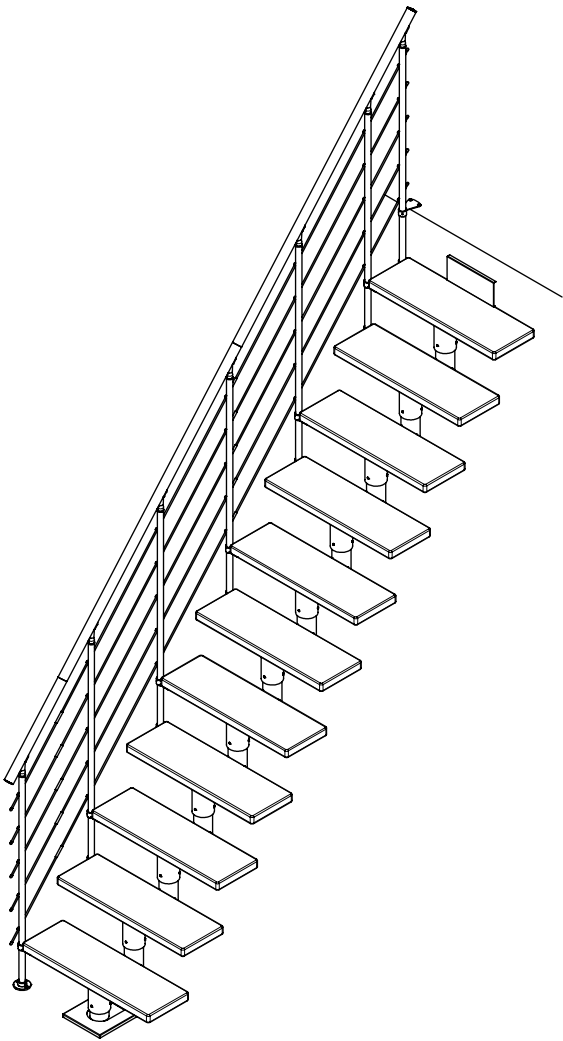
16mm

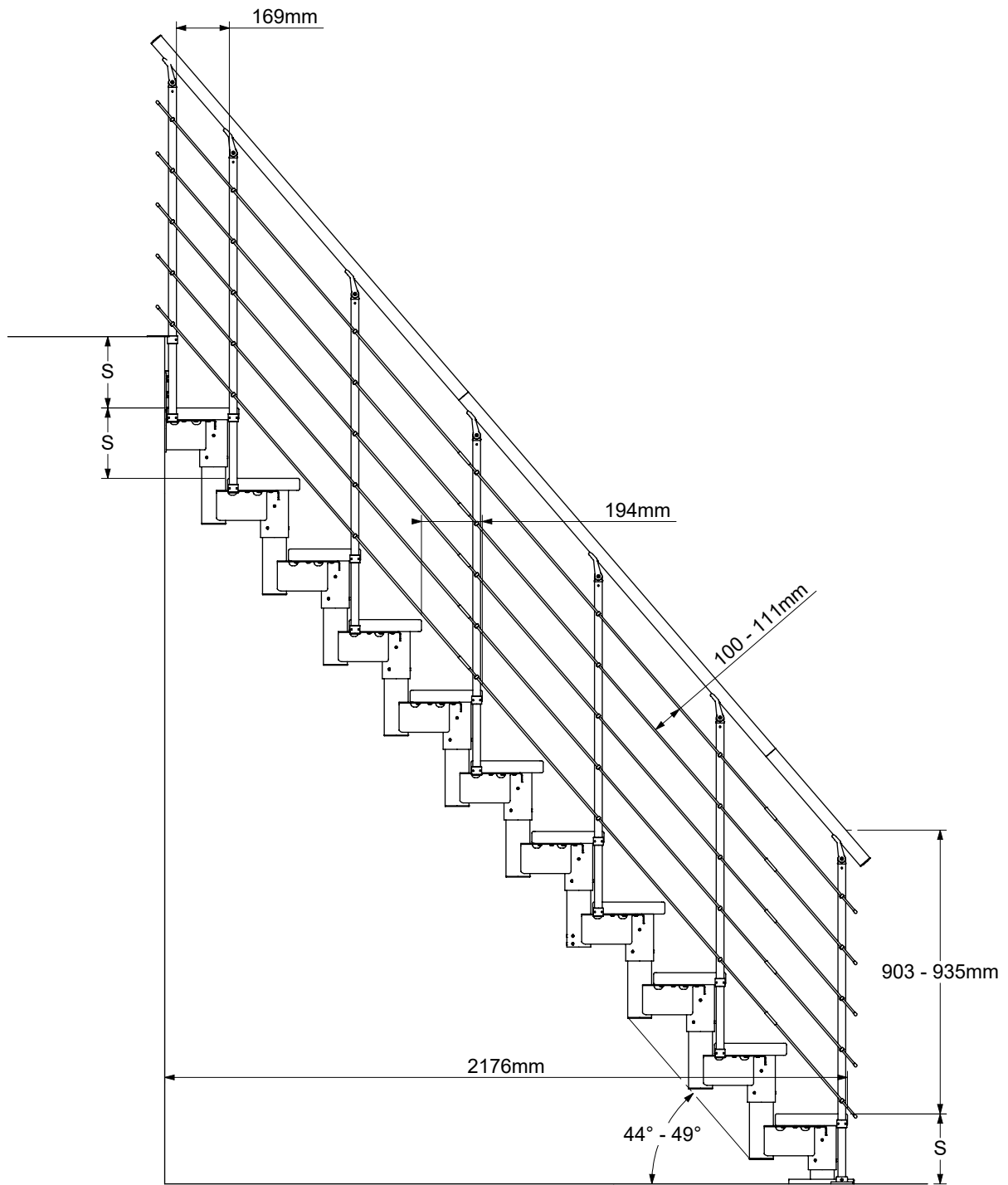




L

R





$$S = \frac{H}{T + 1}$$

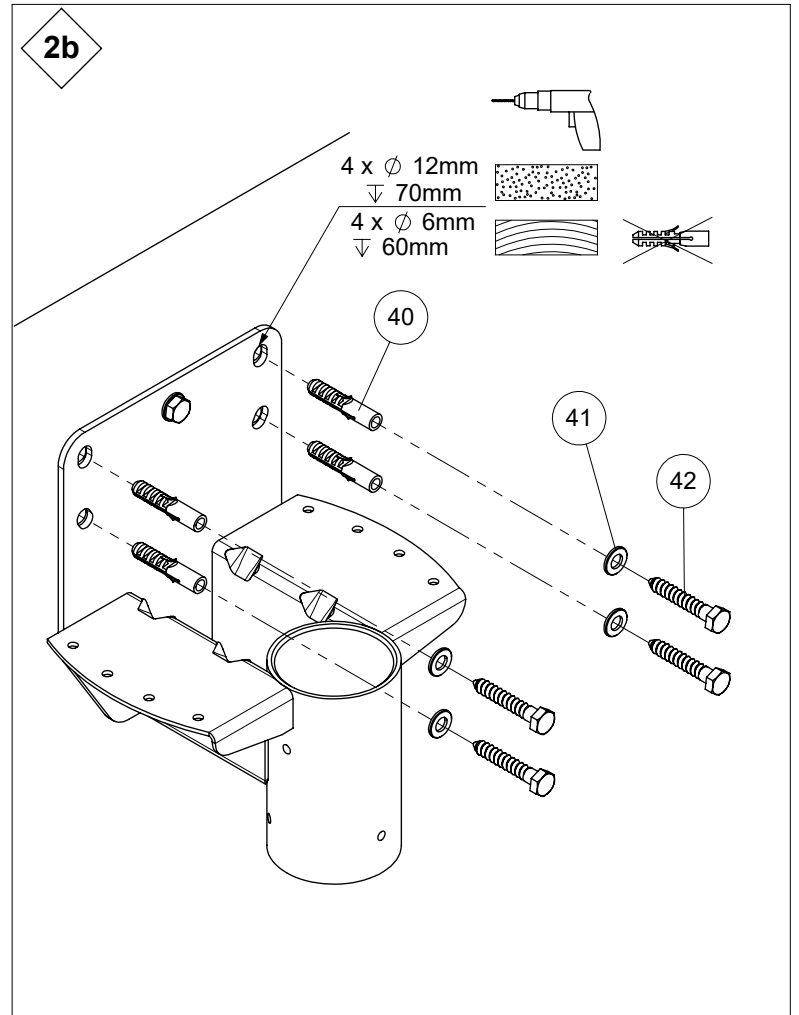
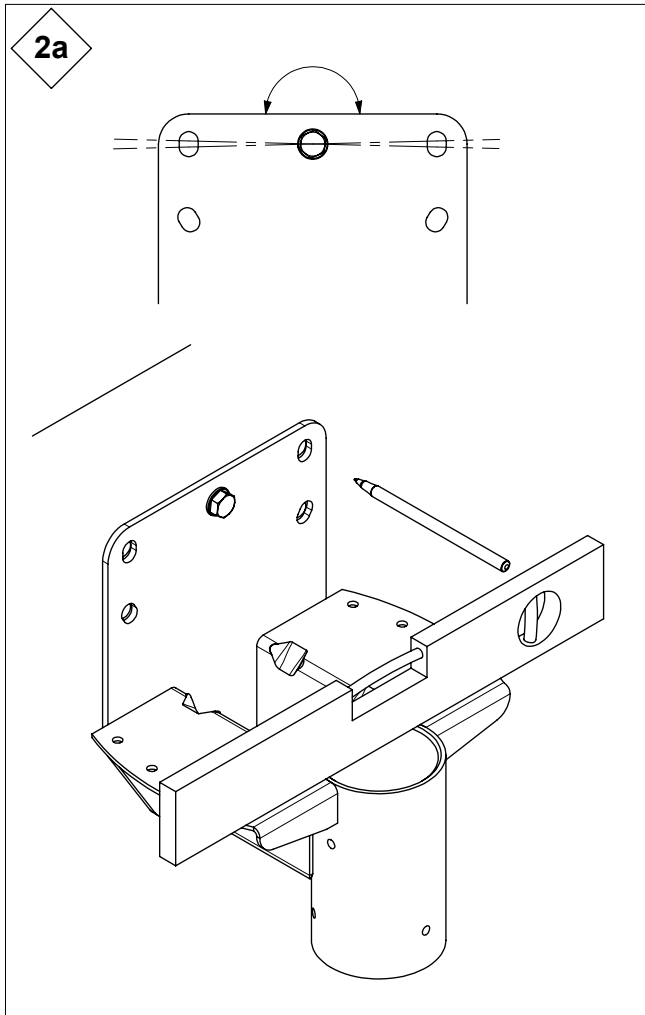
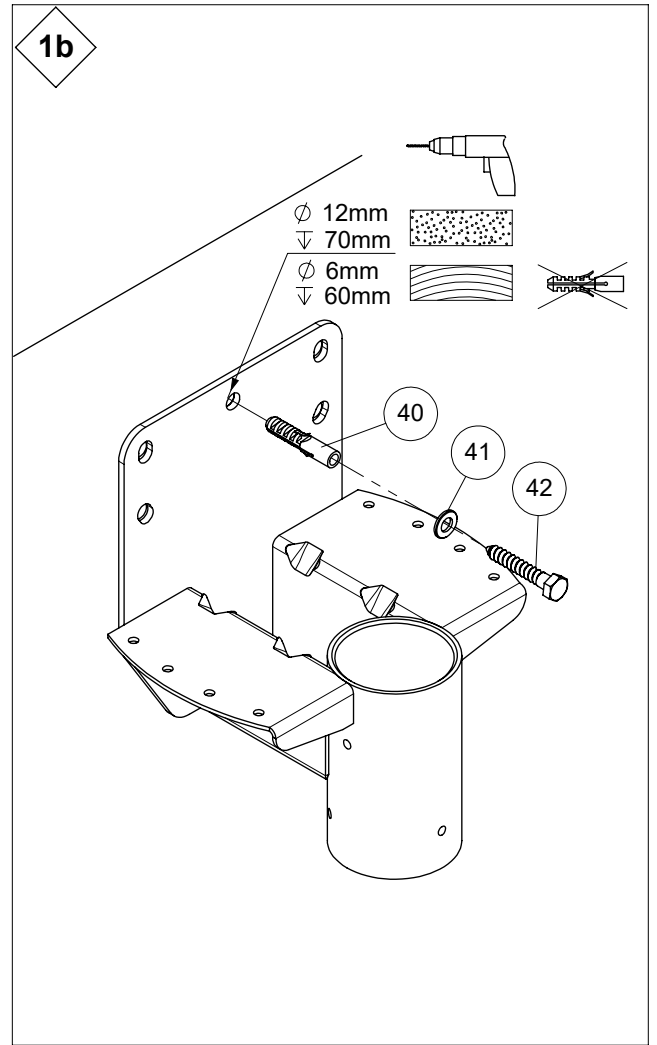
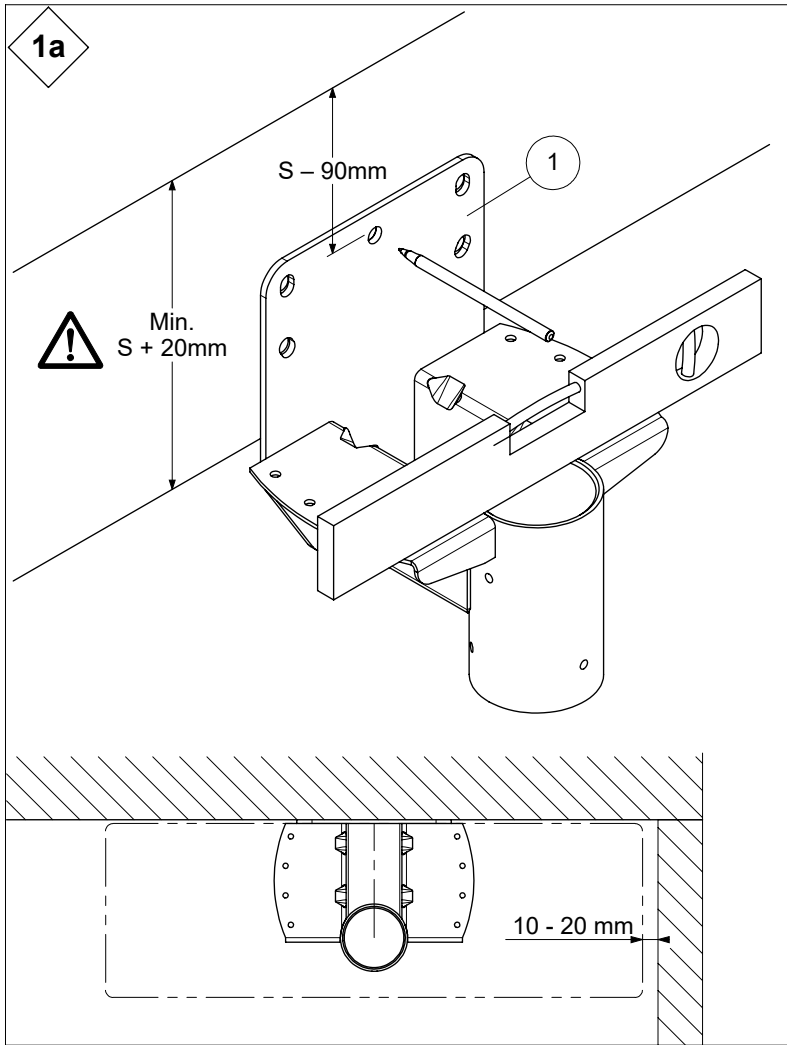
min S	max S
185 mm	225 mm

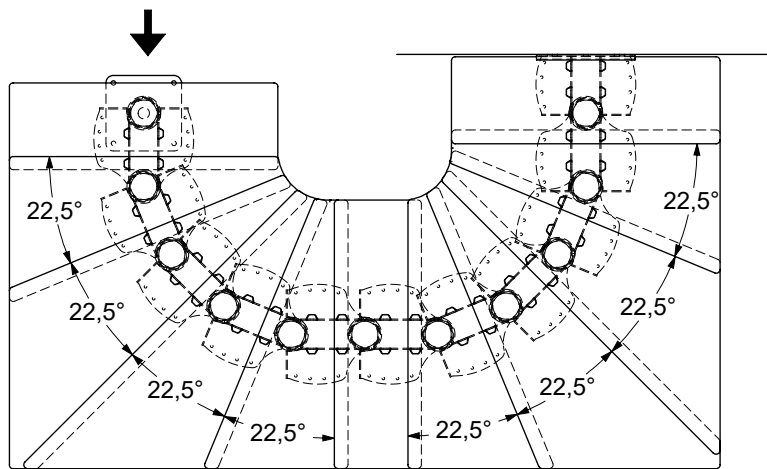
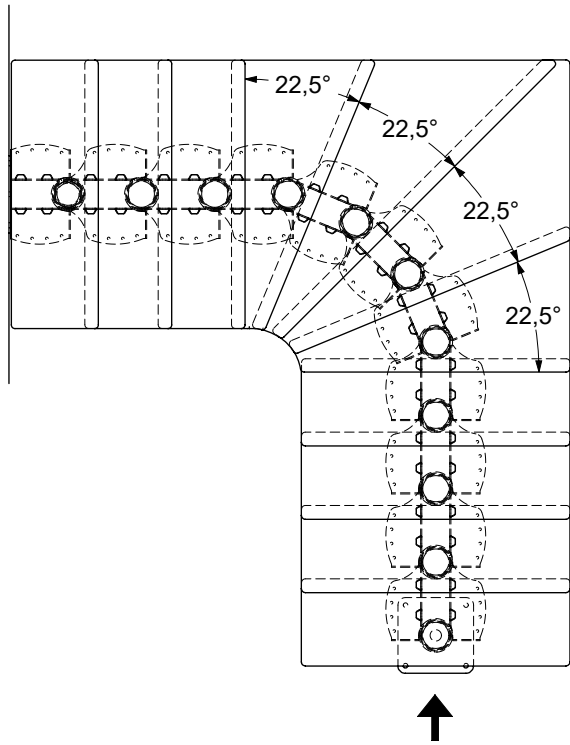
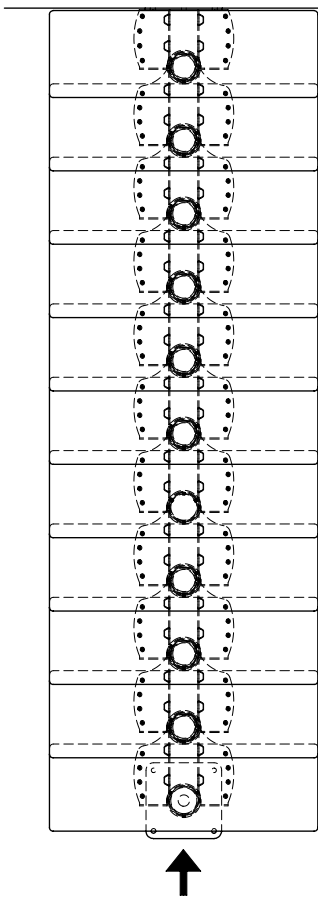
Example / Beispiel / Voorbeeld / Example / Eksempel:
H: 2400 mm, T: 11 st(pcs)

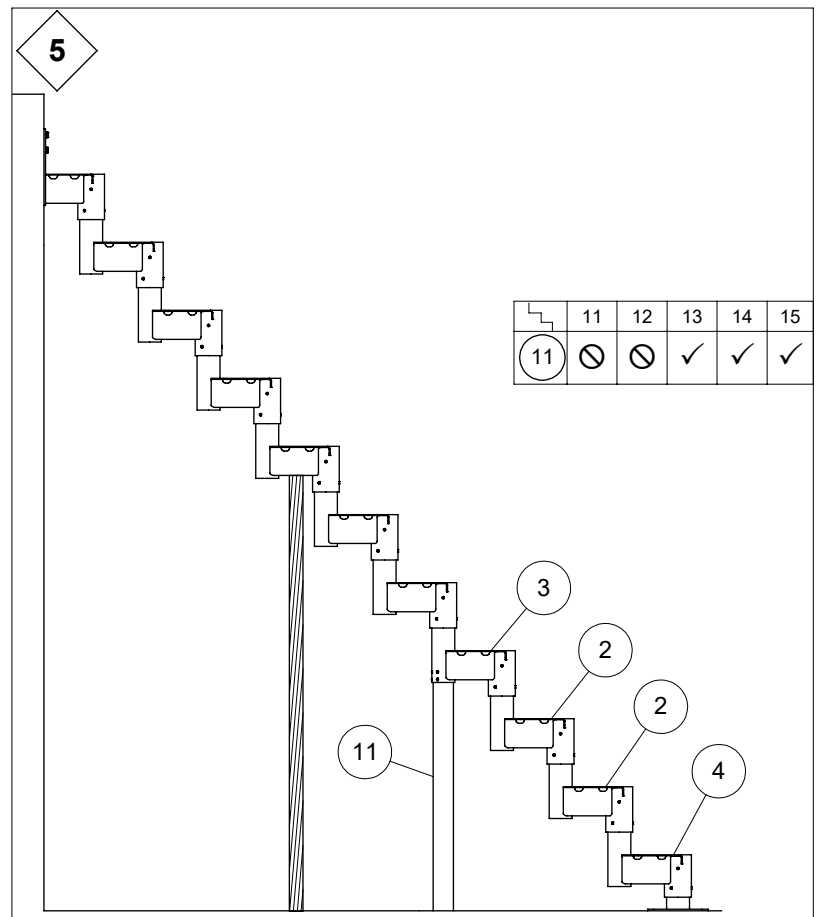
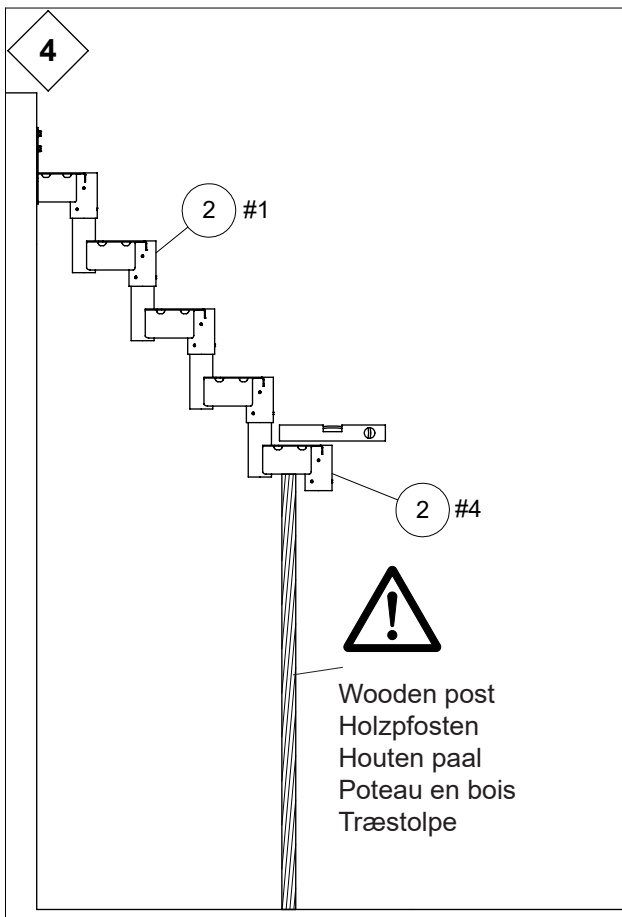
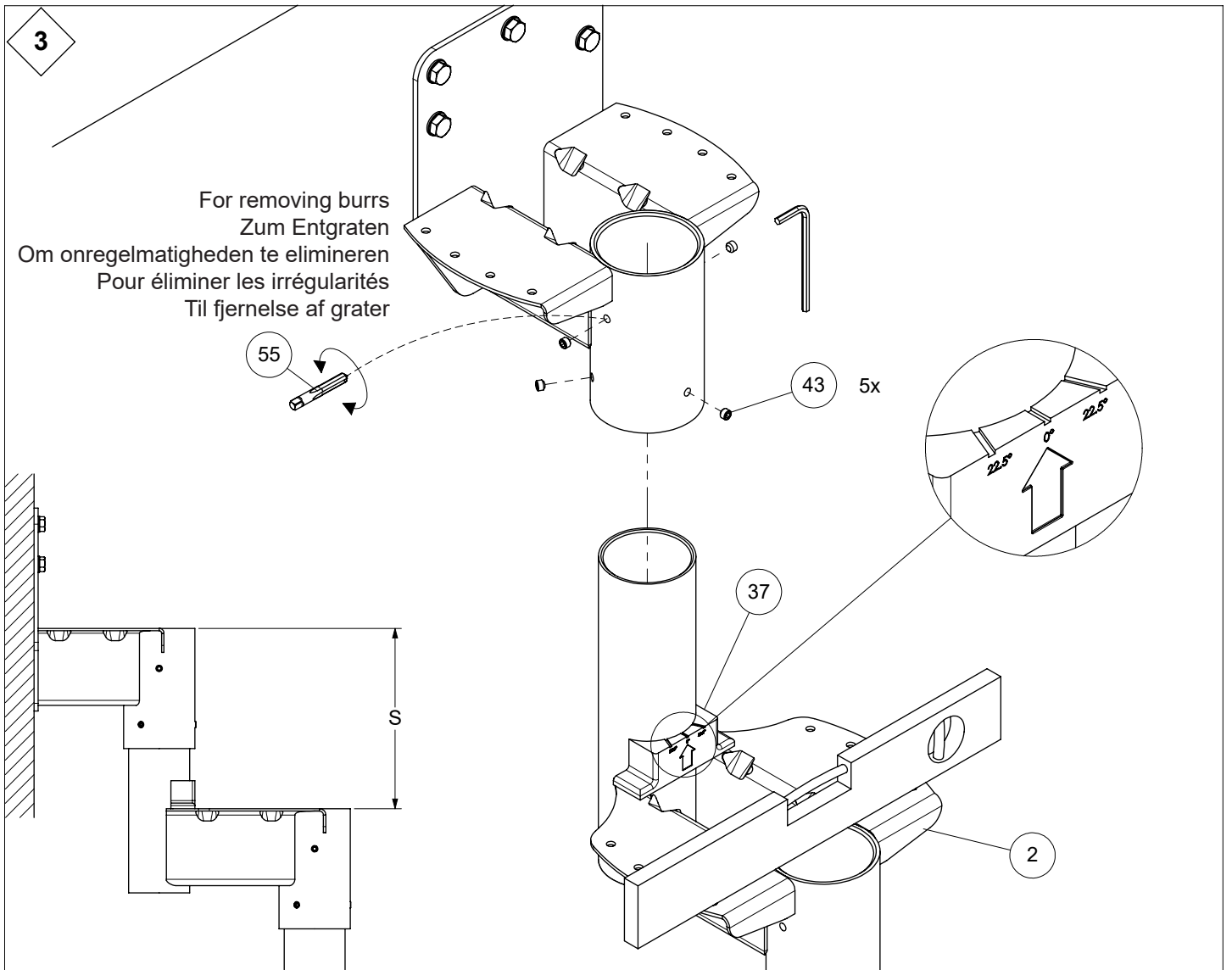
$$S = \frac{2400 \text{ mm}}{11 + 1} = 200 \text{ mm}$$

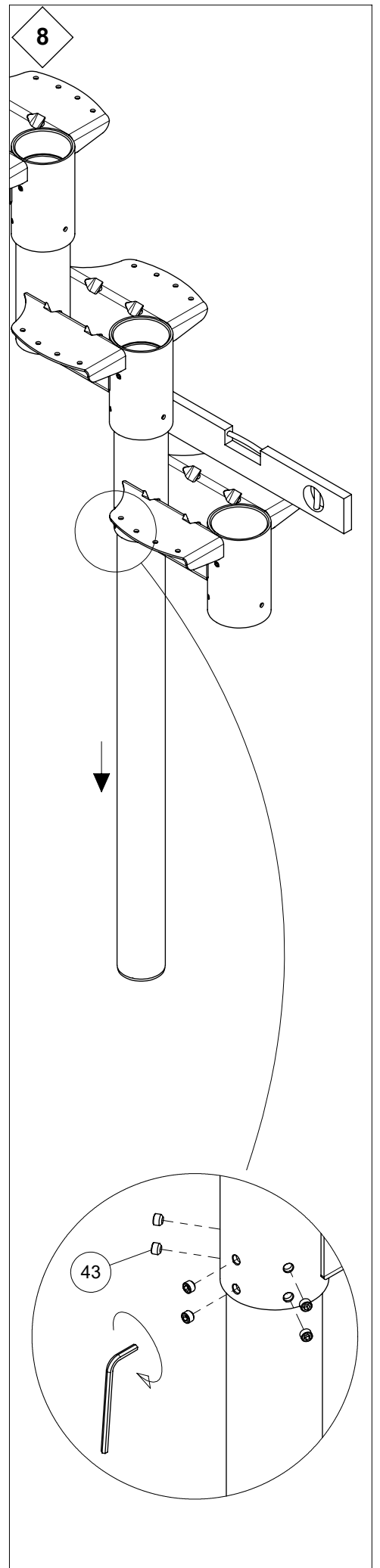
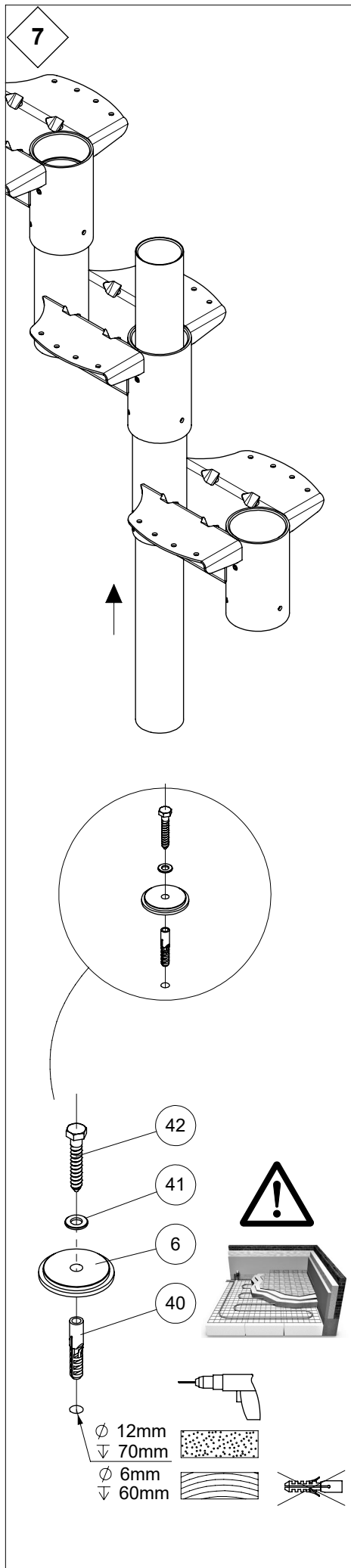
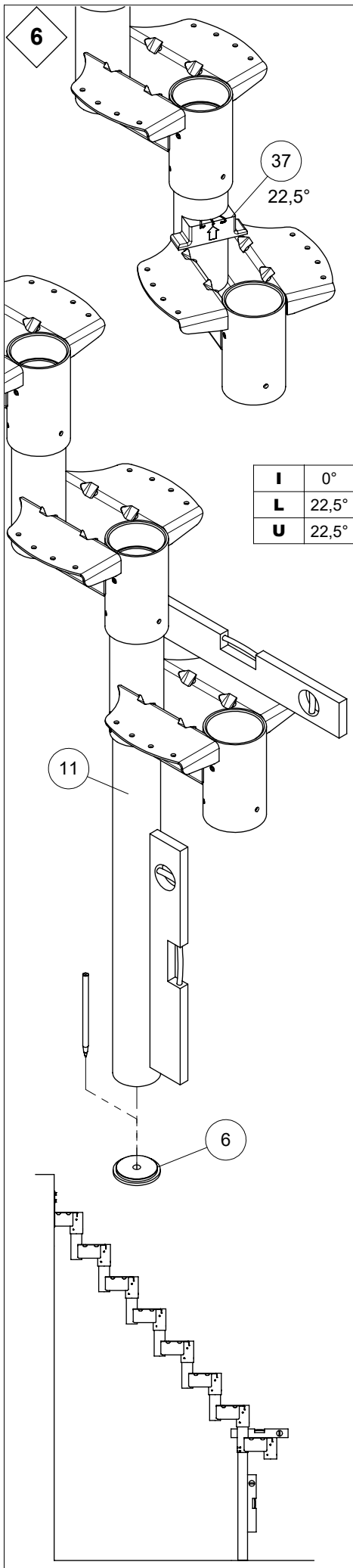


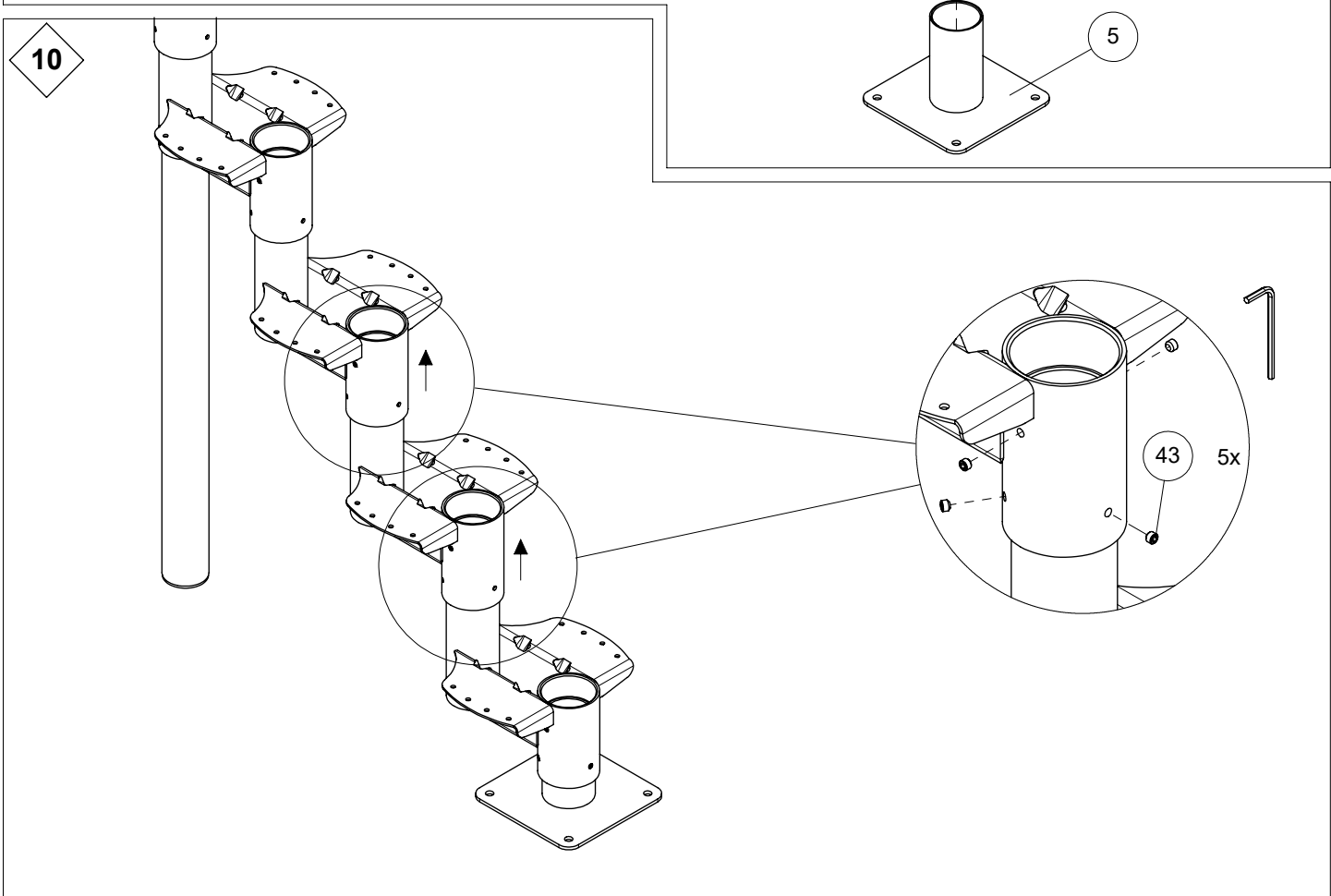
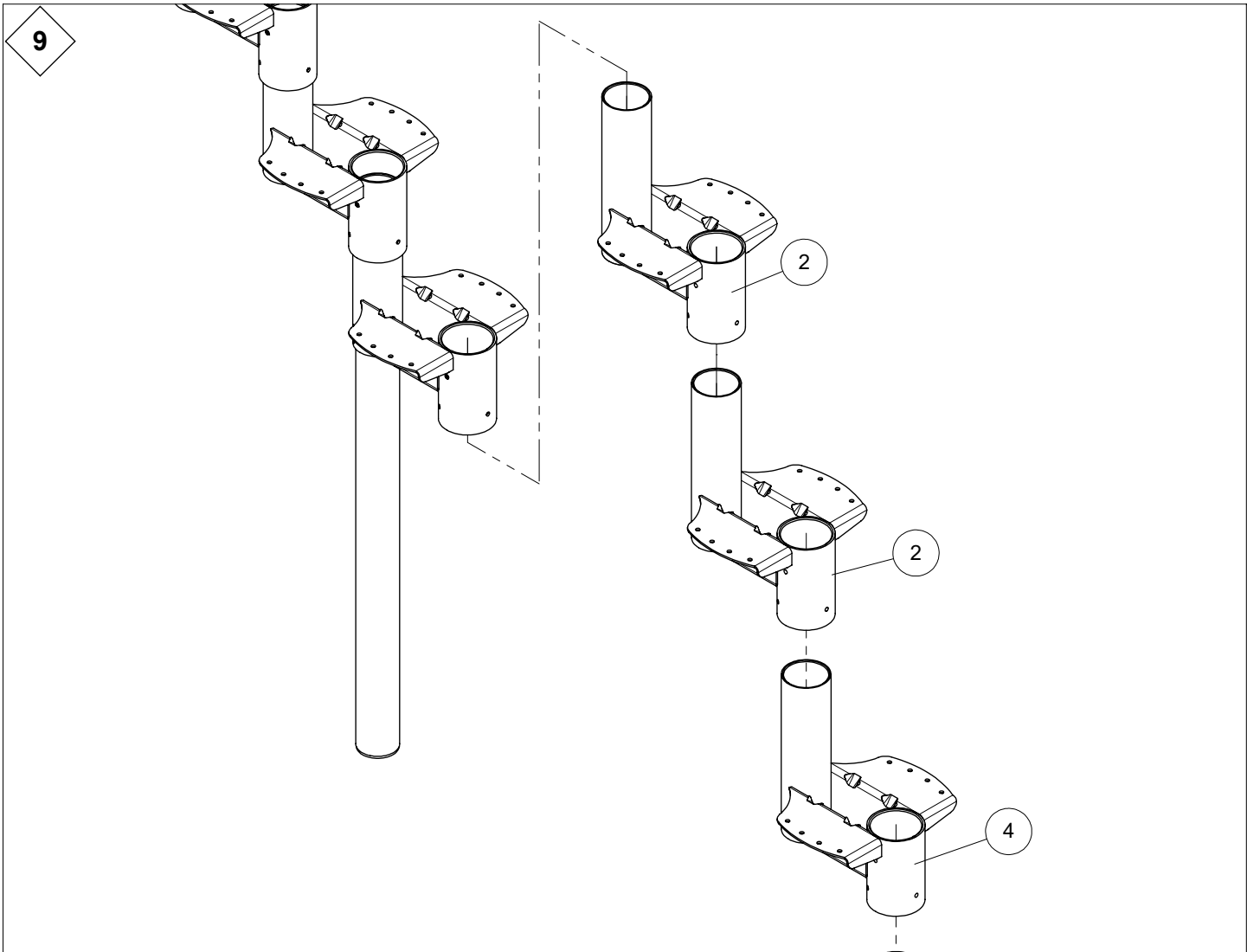
T	min H	max H
9	1850 mm	2250 mm
10	2035 mm	2475 mm
11	2220 mm	2700 mm
12	2405 mm	2925 mm
13	2590 mm	3150 mm
14	2775 mm	3375 mm
15	2960 mm	3600 mm

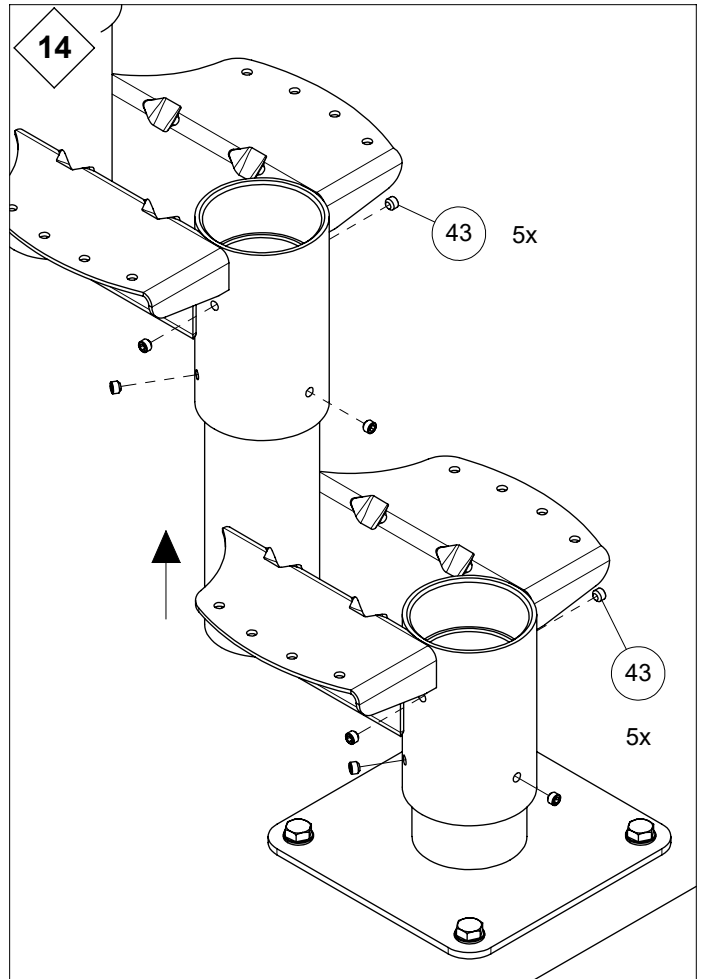
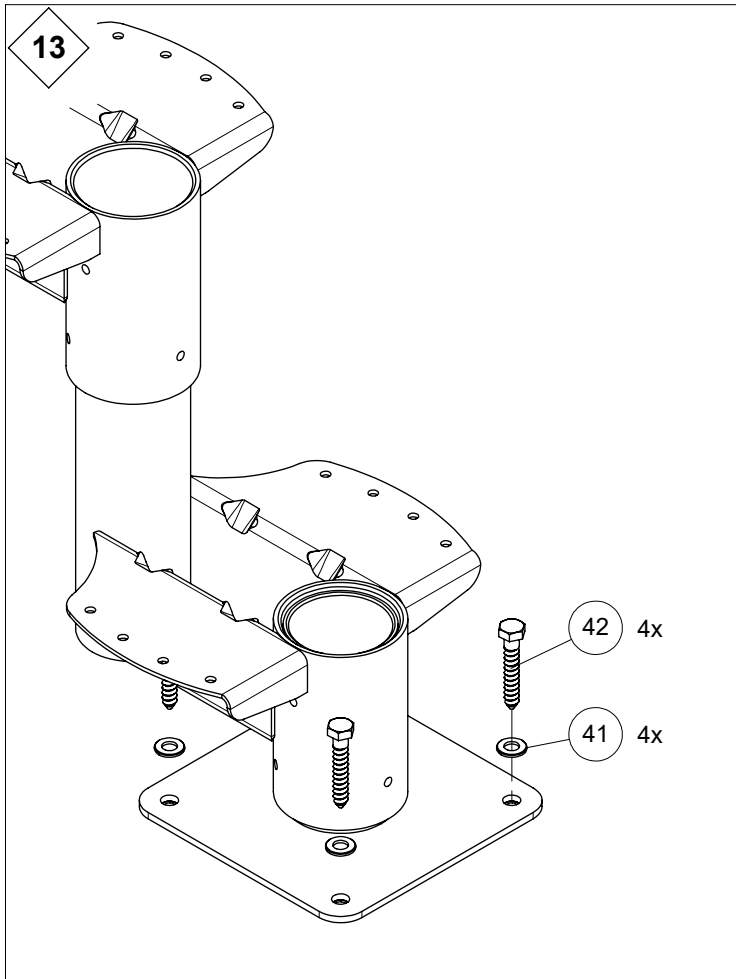
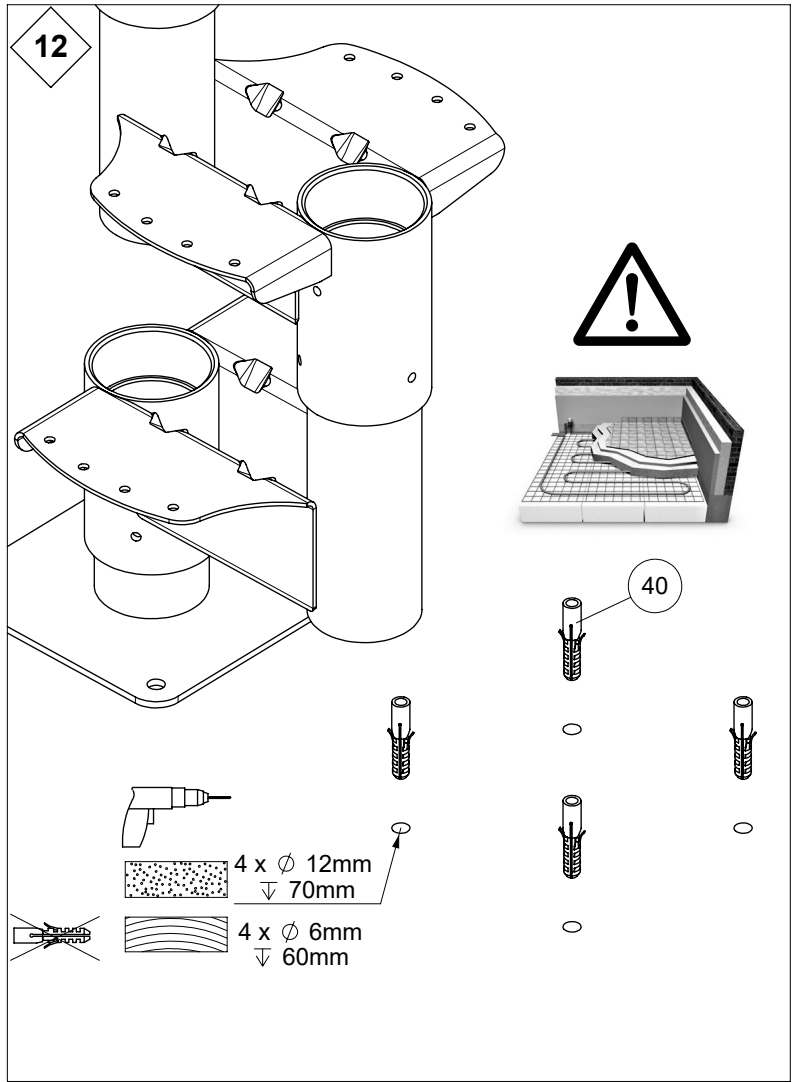
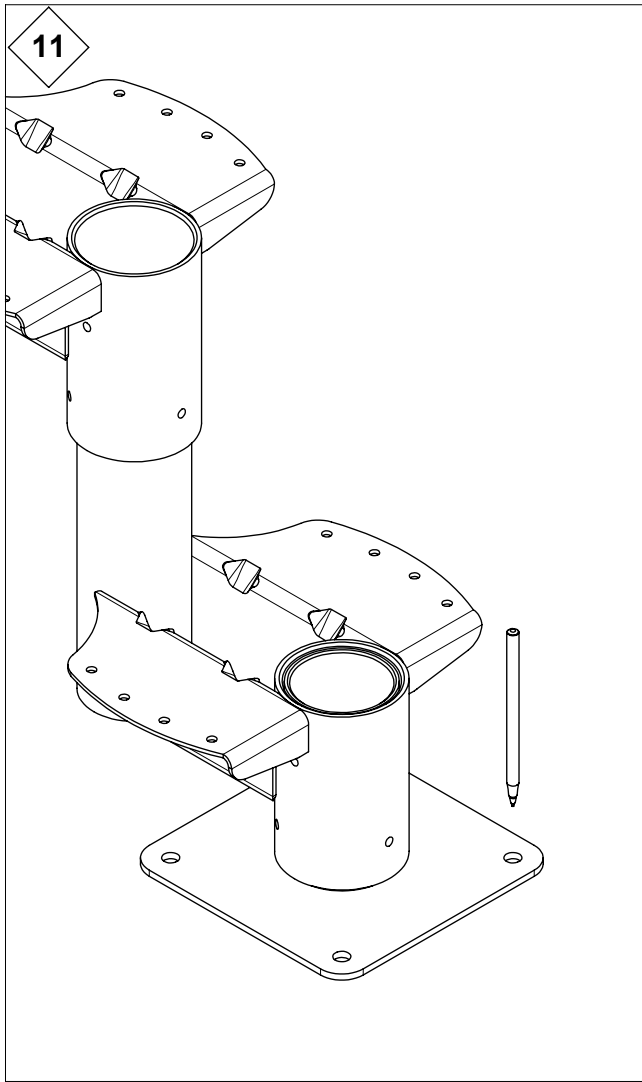


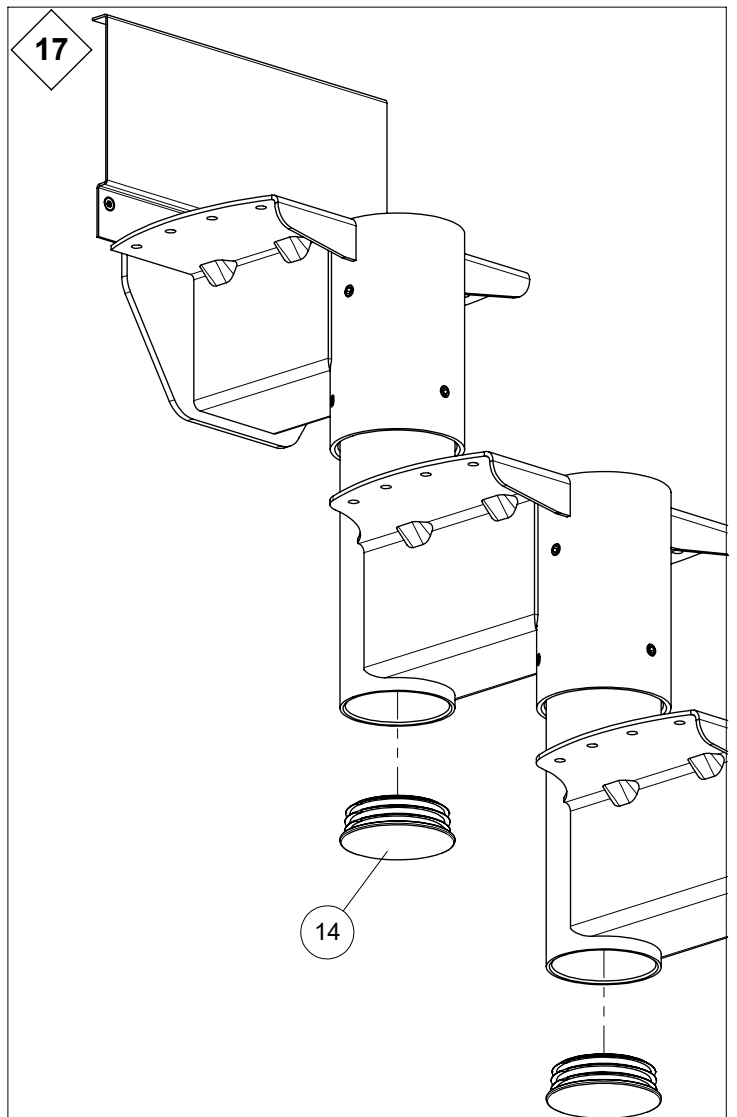
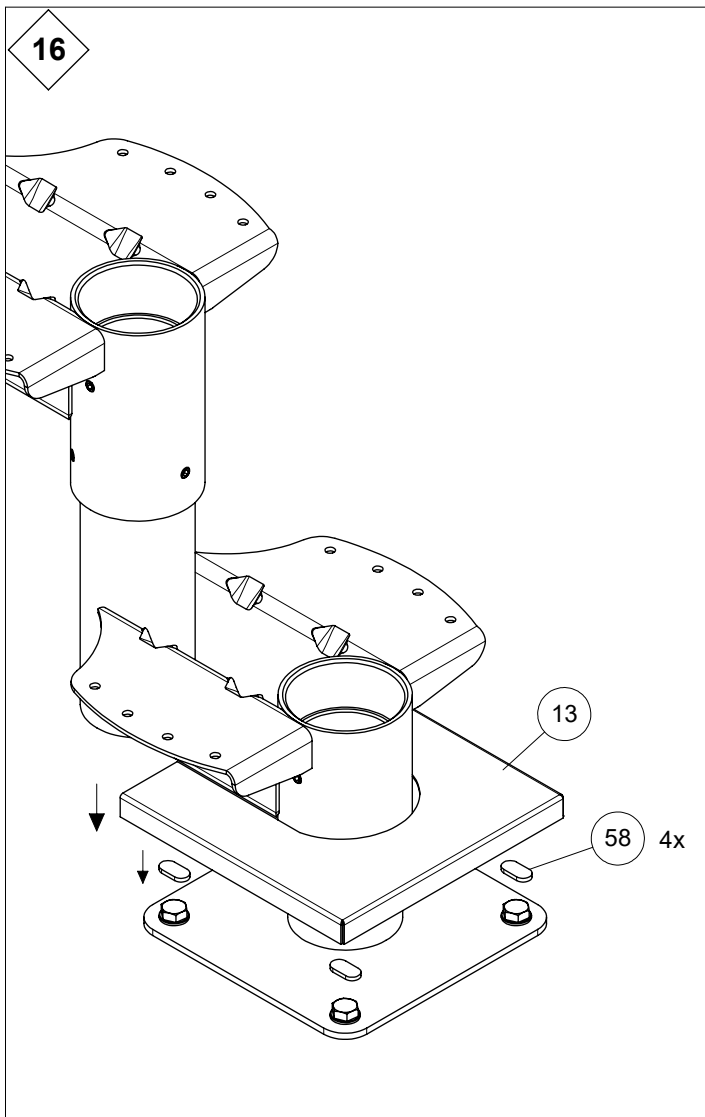
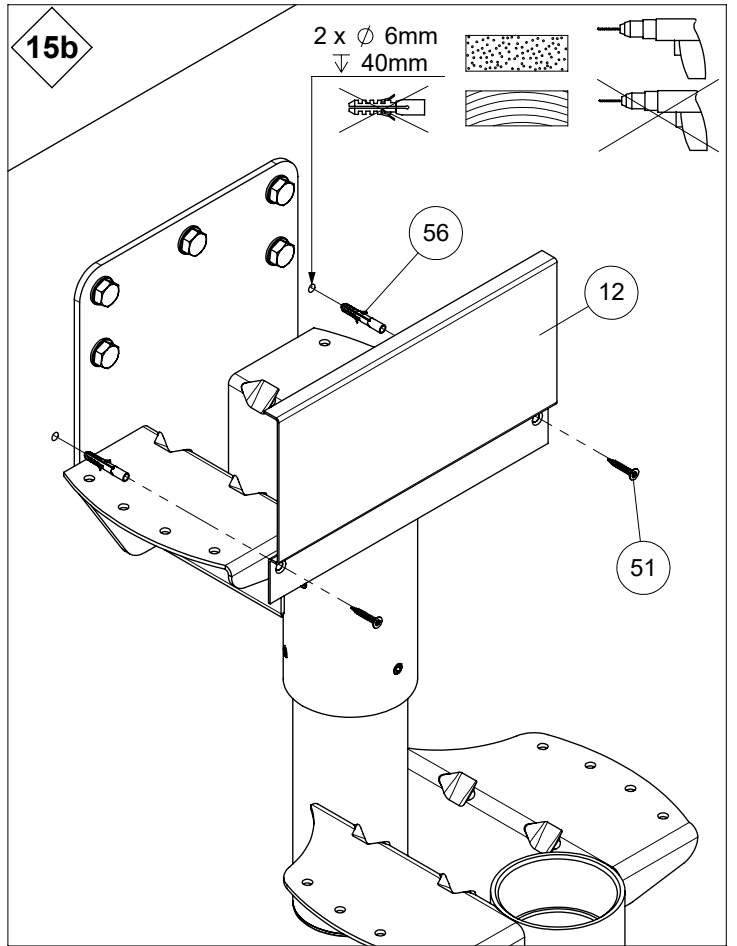
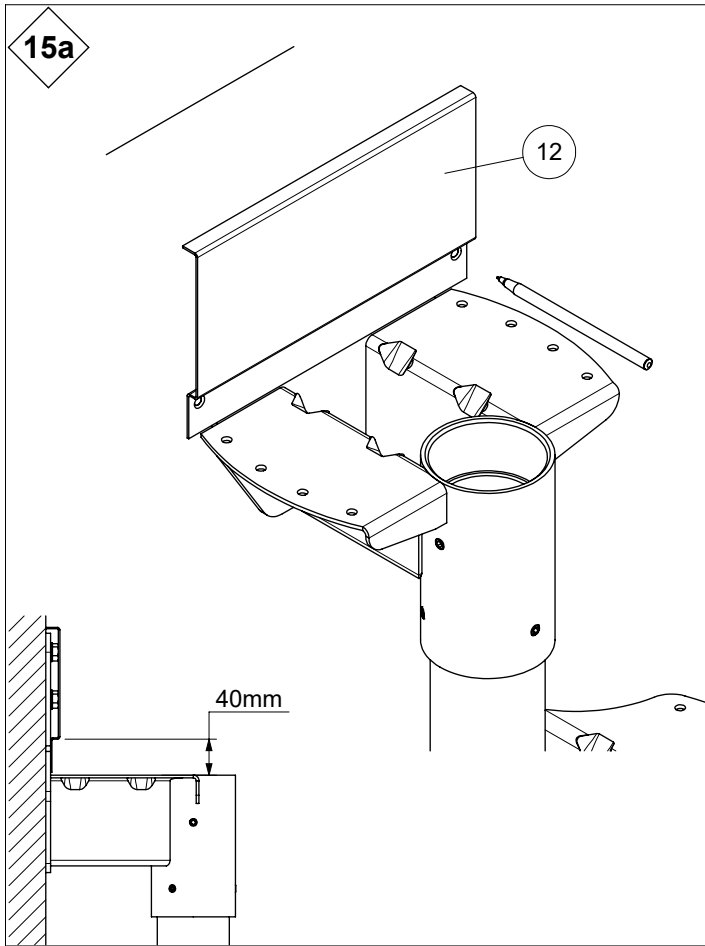




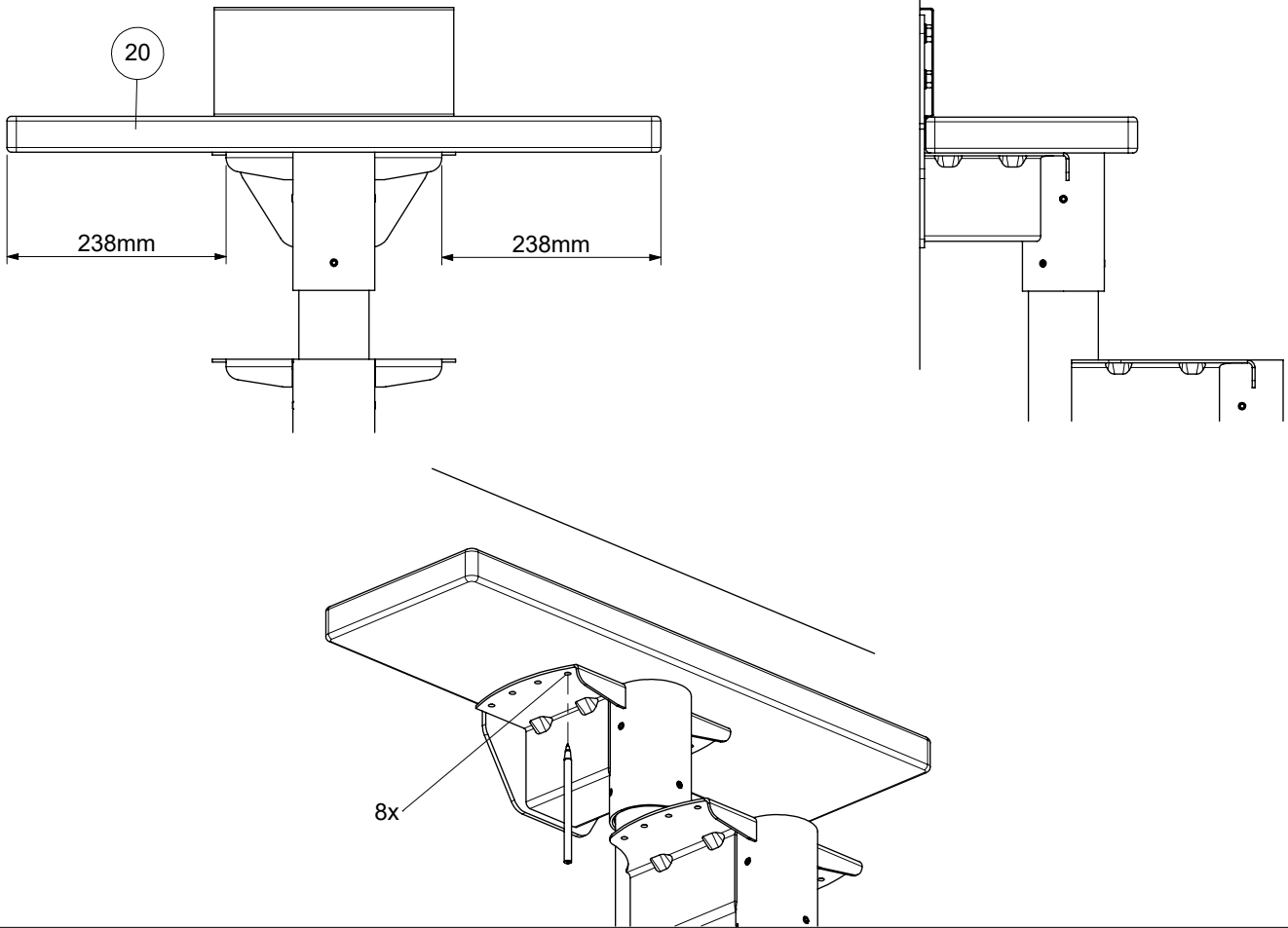




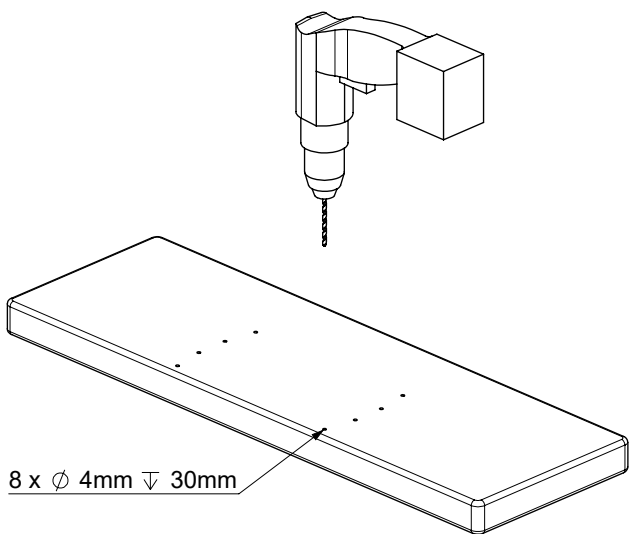




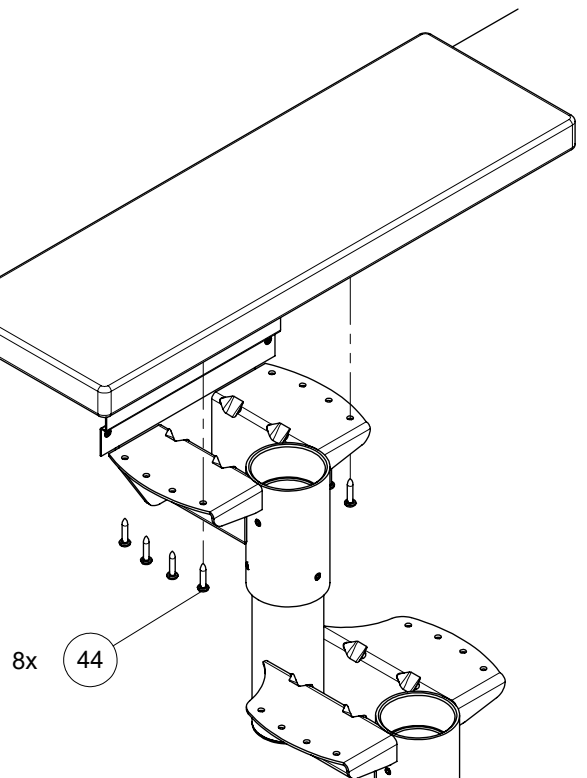
18



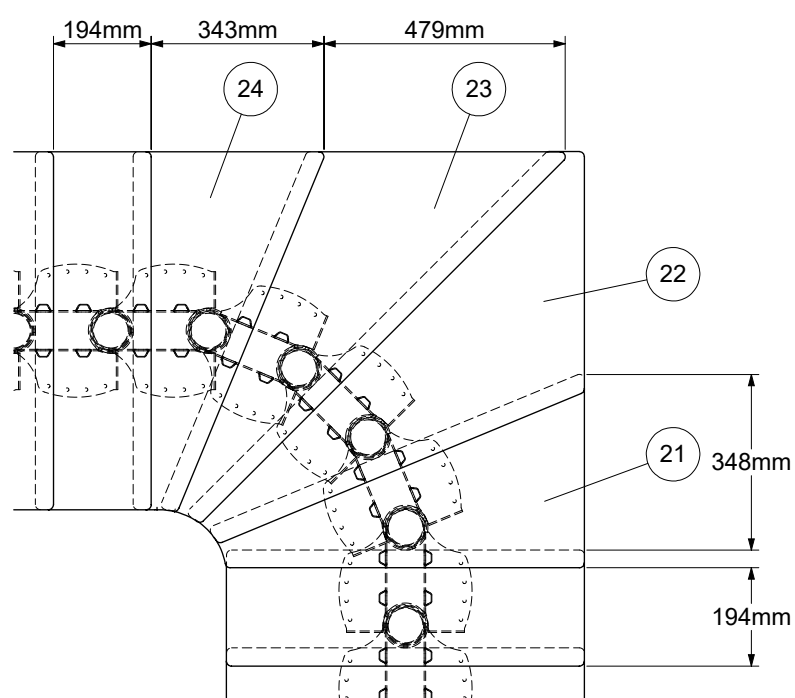
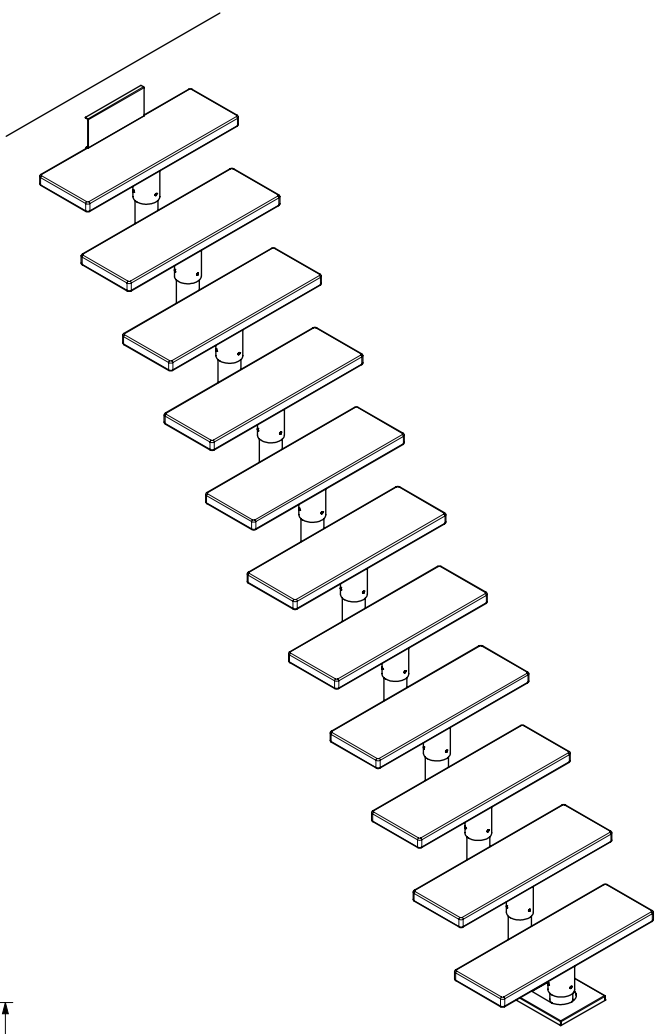
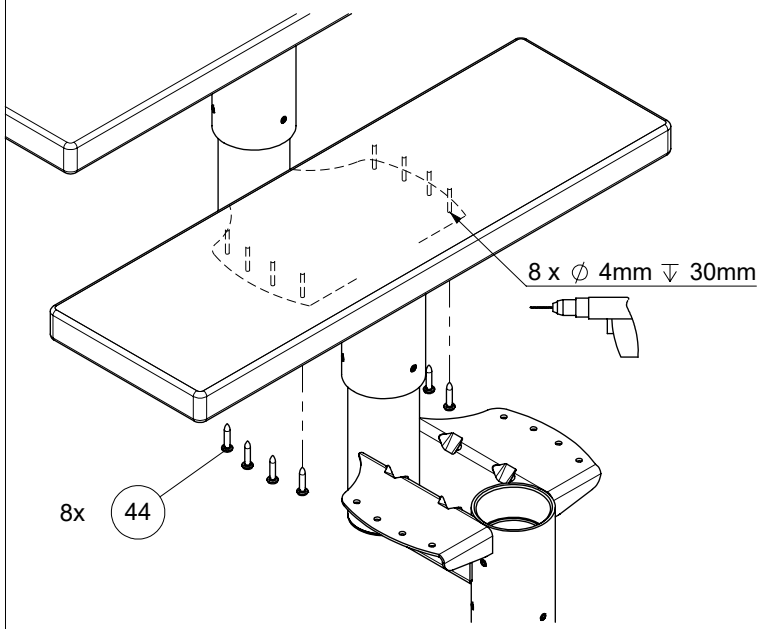
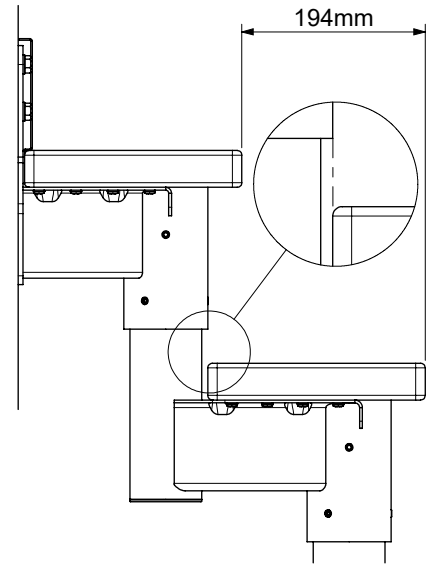
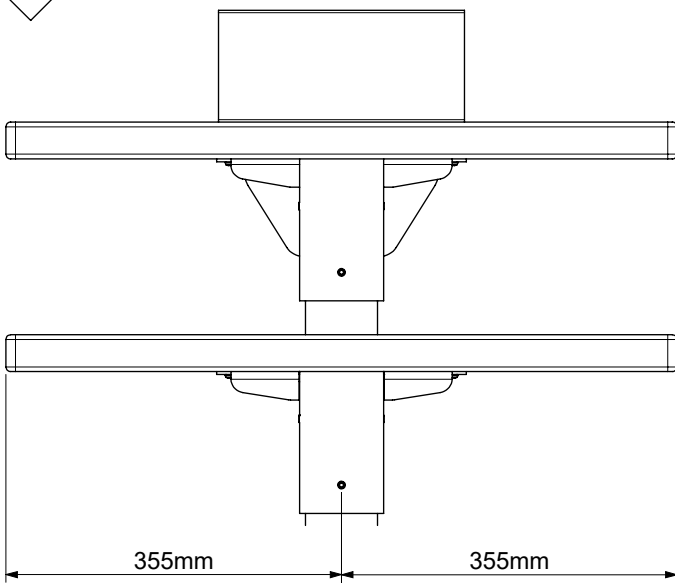
19



20



21



22

I	Mounting of wallbrackets is optional Die Montage von Wandhalterungen ist optional Montage van muurbeugels is optioneel Le montage de supports muraux est facultatif Montering af vægbeslag er valgfri
L	2 wall brackets in position A or B 2 Wandhalterungen in der Position A oder B 2 muurbeugels in positie A of B 2 supports mural dans la position A ou B 2 vægbeslag i position A eller B
U	4 wall brackets in position A or B 4 Wandhalterungen in der Position A oder B 4 muurbeugels in positie A of B 4 supports mural dans la position A ou B 4 vægbeslag i position A eller B



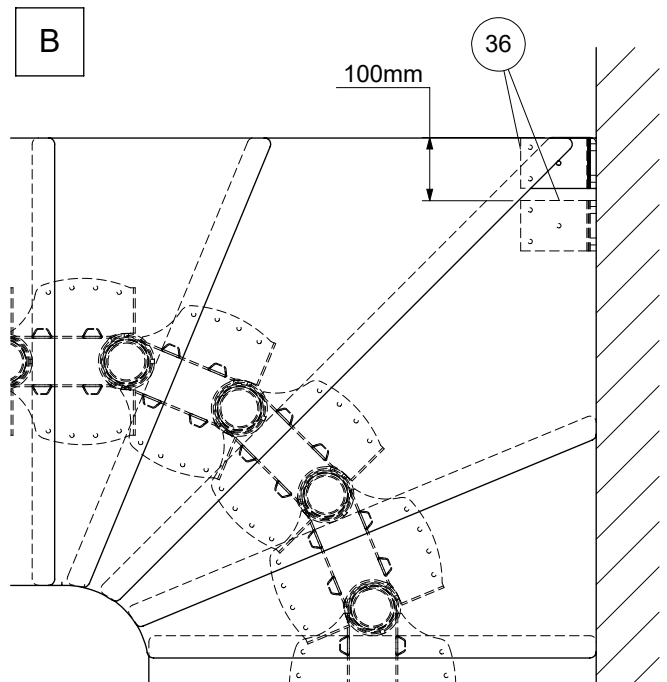
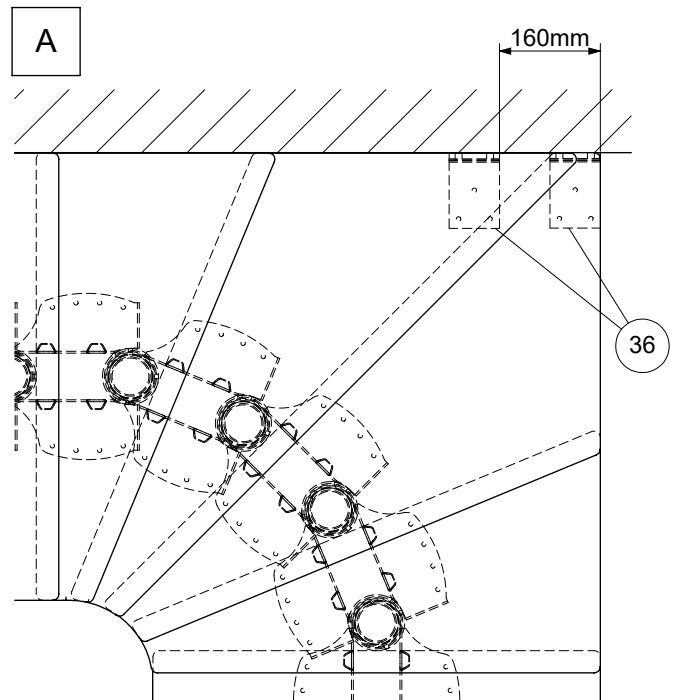
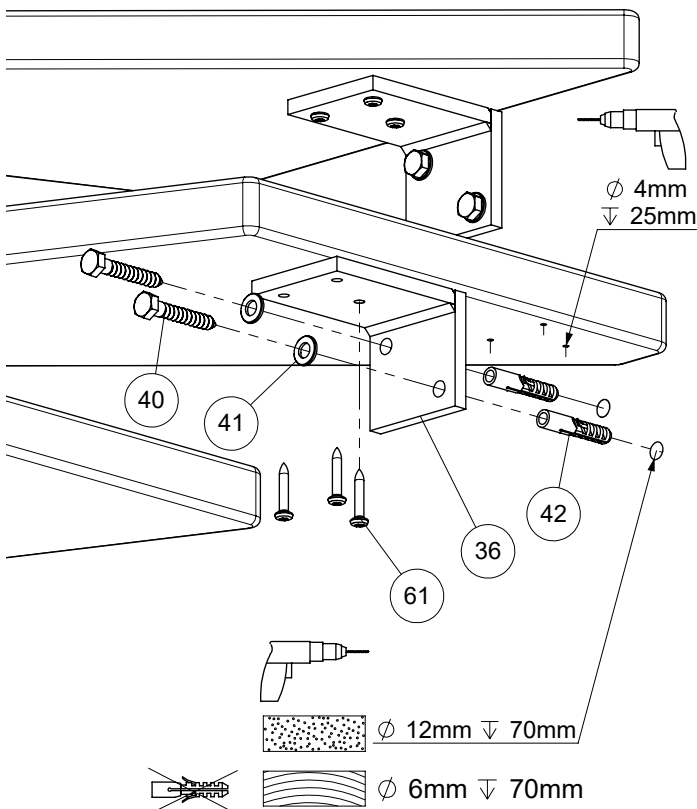
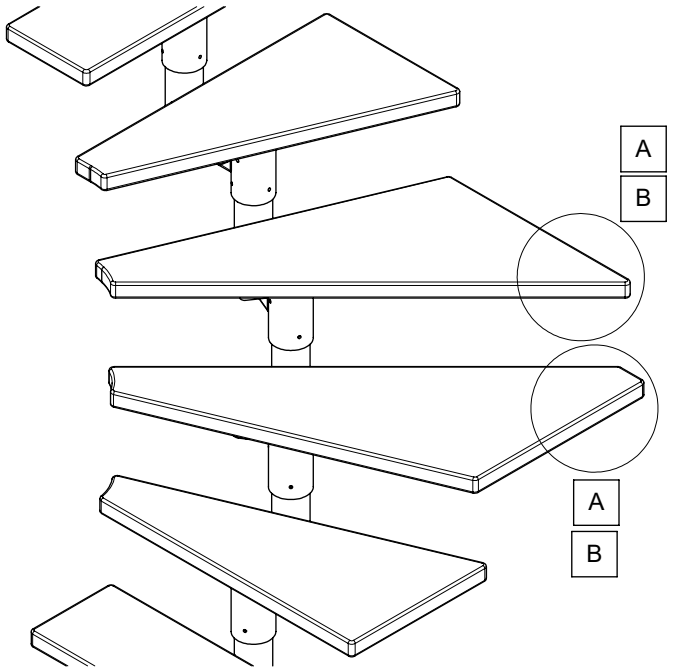
2 wall brackets must be mounted on a 1/4 turn or 4 on a 1/2 turn staircase.

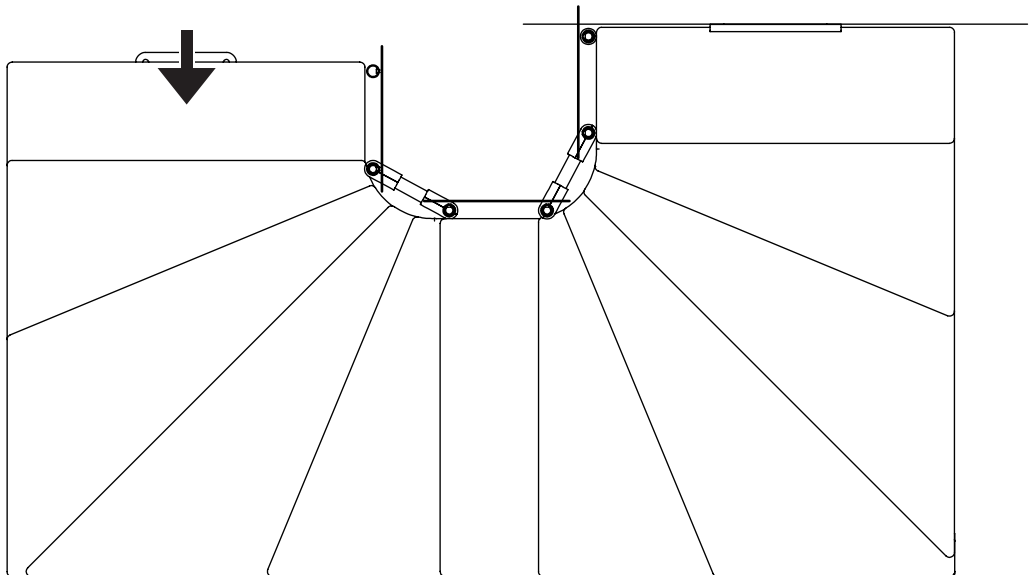
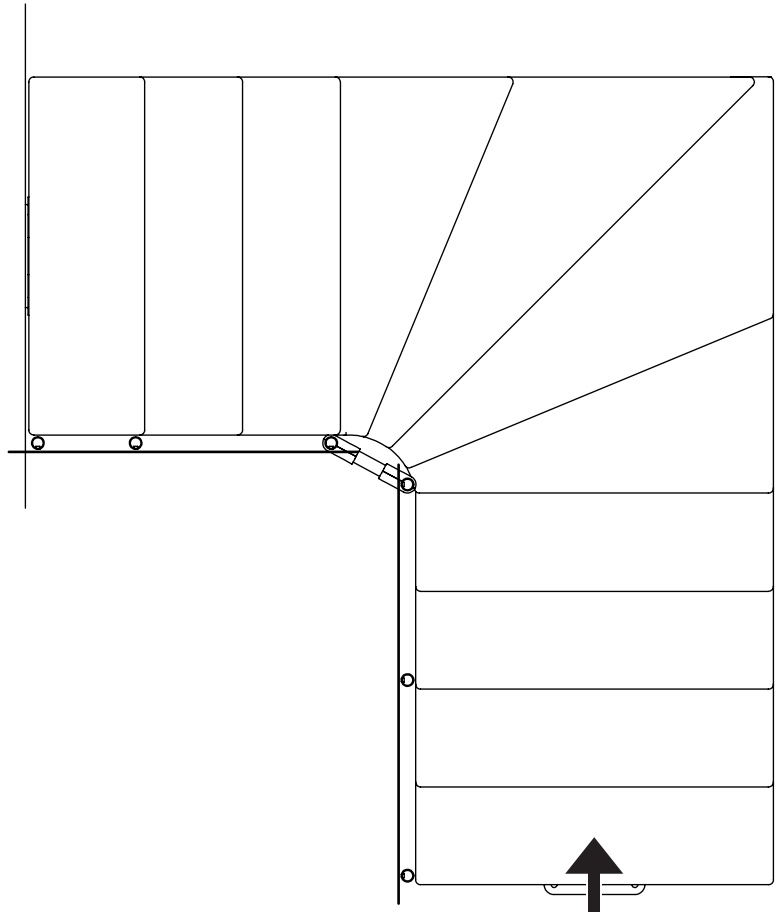
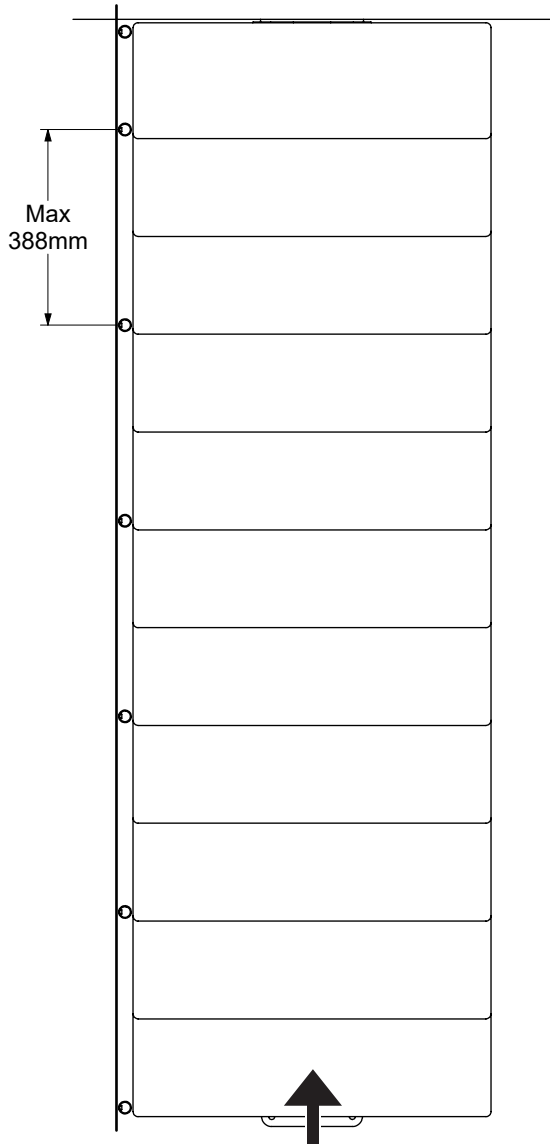
2 Wandhalterungen müssen auf einer 1/4-gewendelten oder 4 auf einer 1/2-gewendelten Treppe montiert werden.

2 muurbeugels moeten gemonteerd worden op een 1/4 draai of 4 op een 1/2 draai trap.

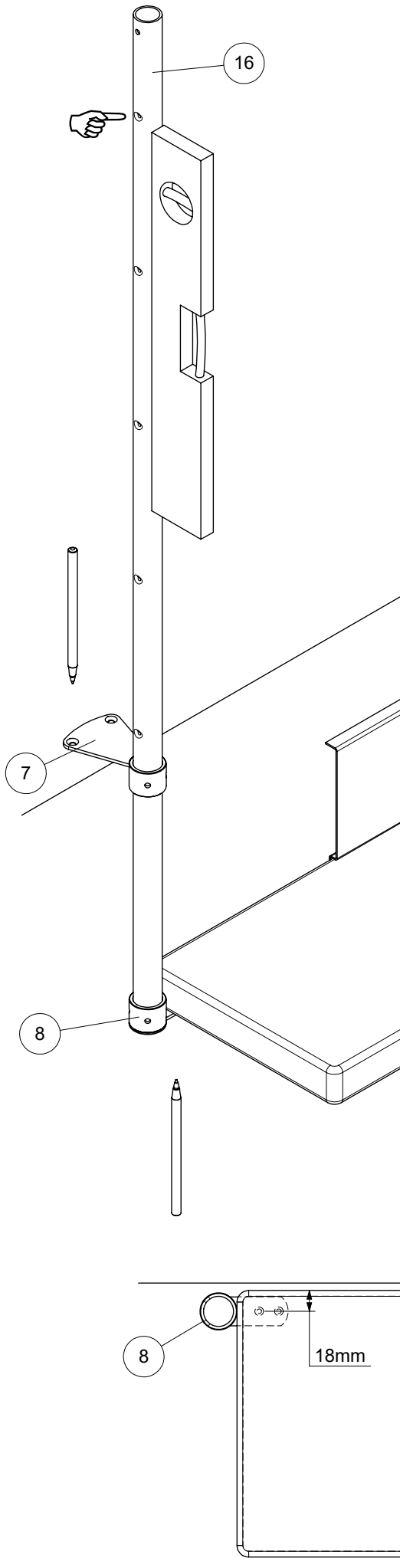
2 supports mural doivent être monté sur un escalier 1/4 ou 4 sur un escalier 1/2 tournant.

2 vægvinkler er påkrævet i en 1/4-svings- eller 4 i en 1/2-svings-trappe.

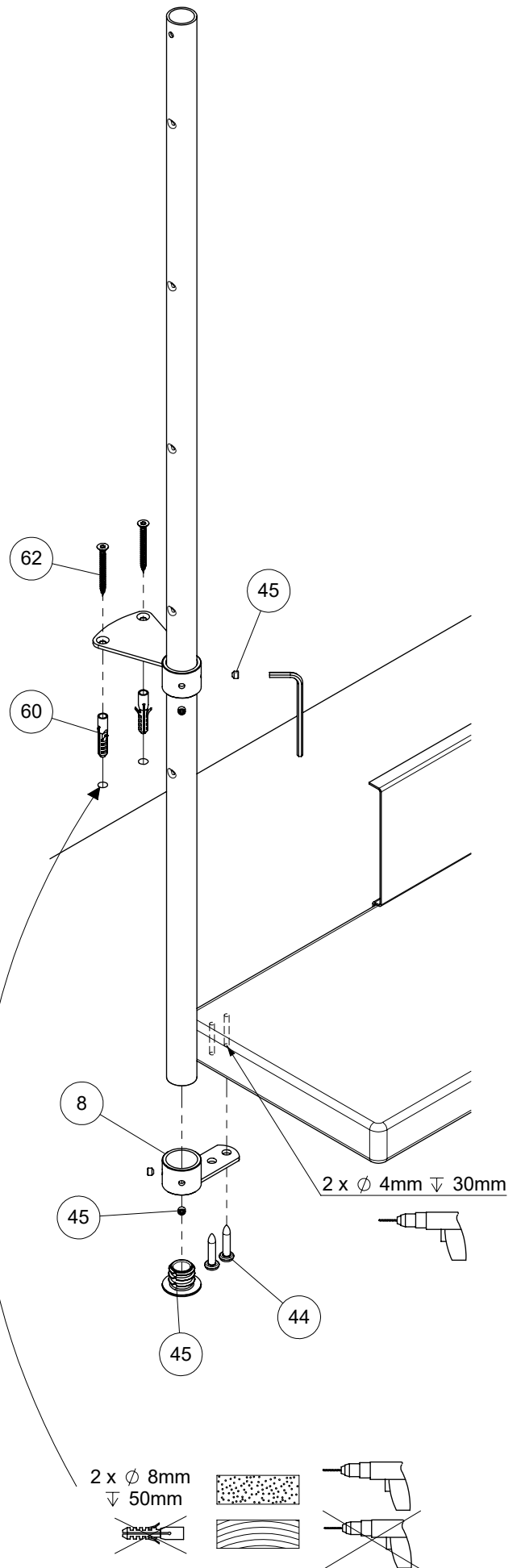


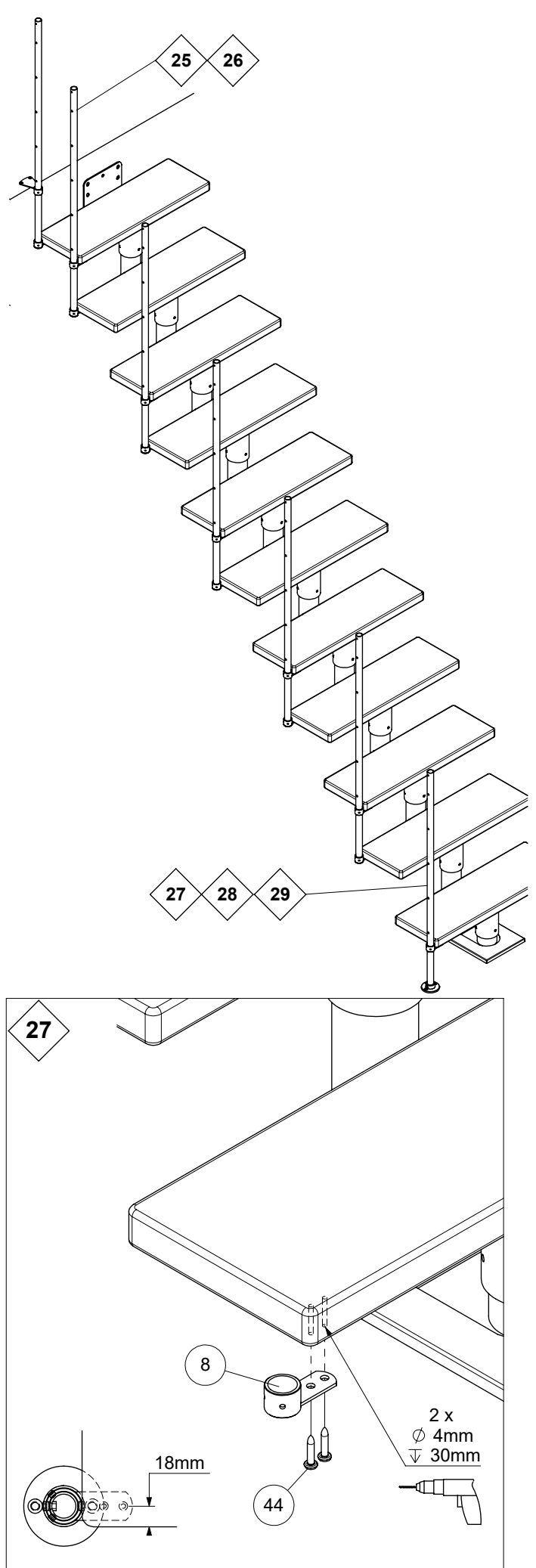
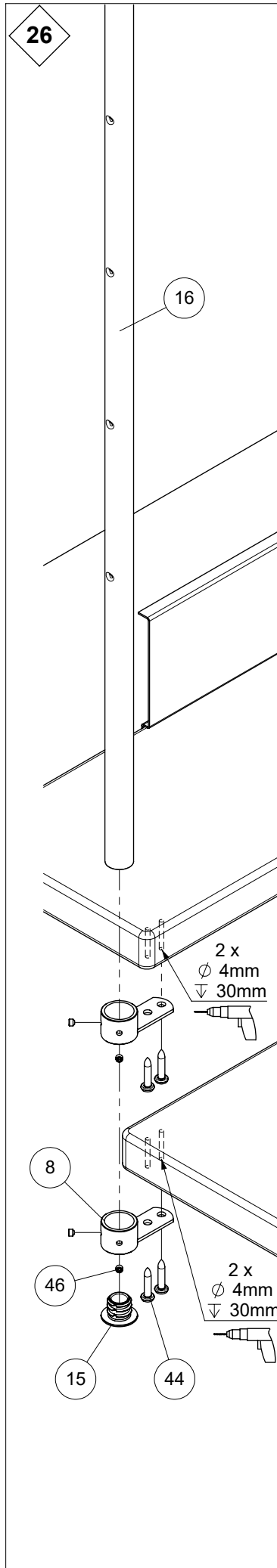
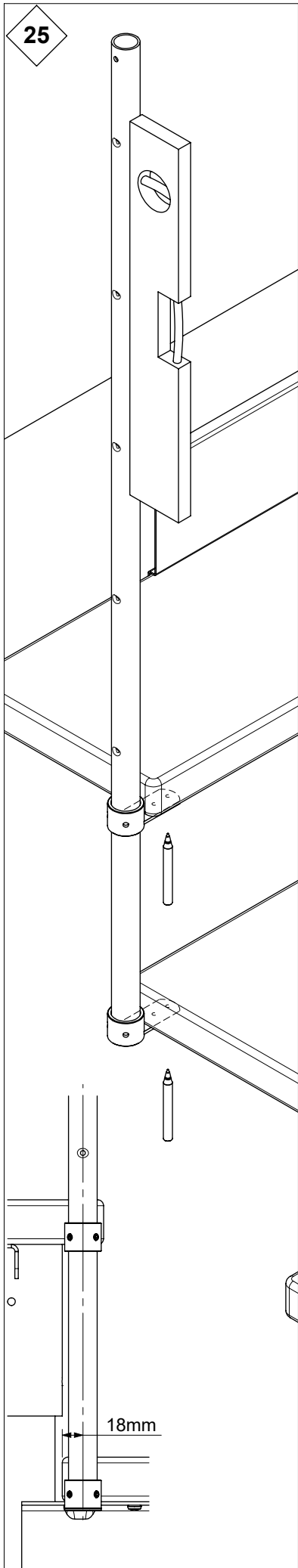


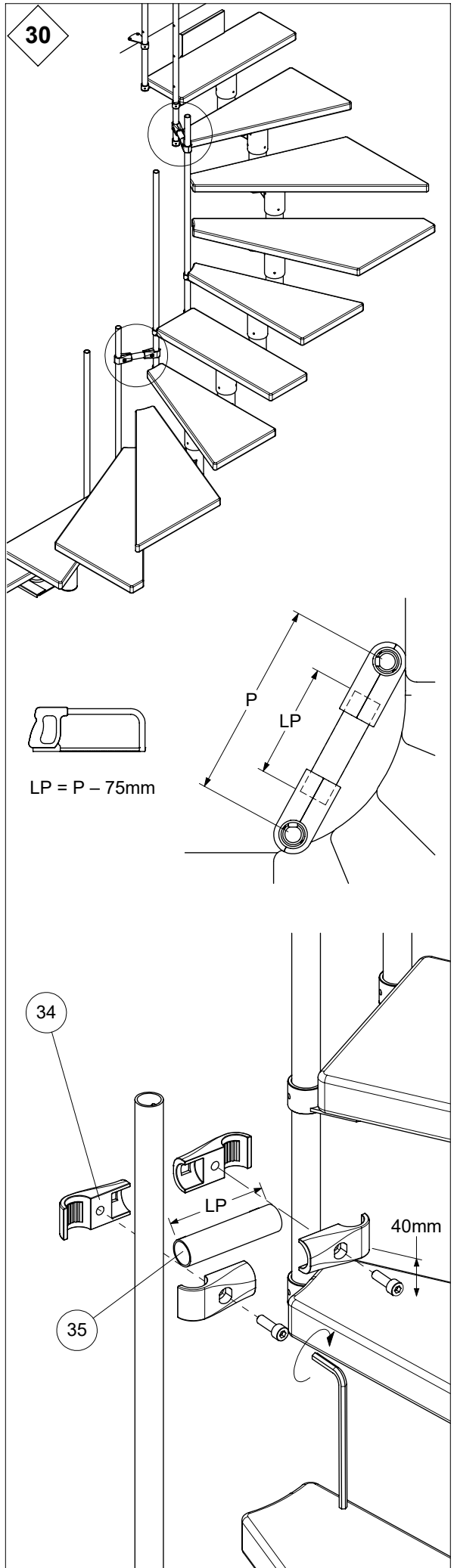
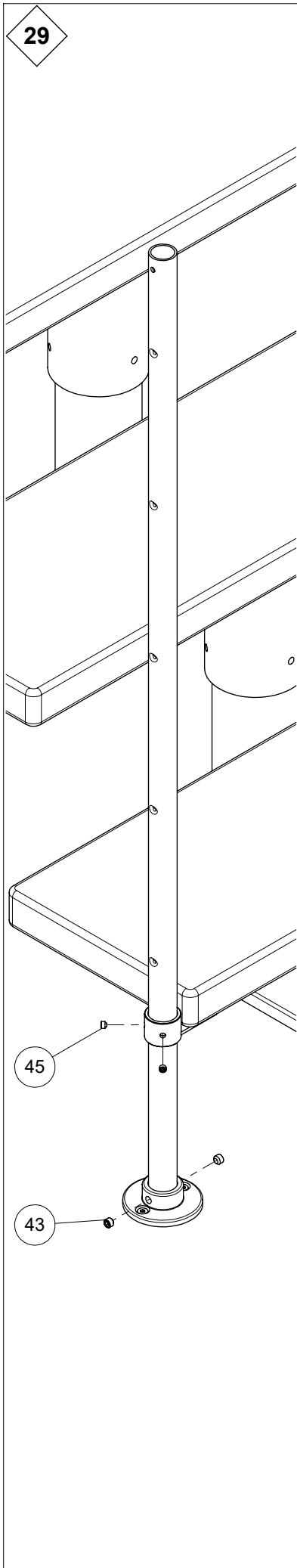
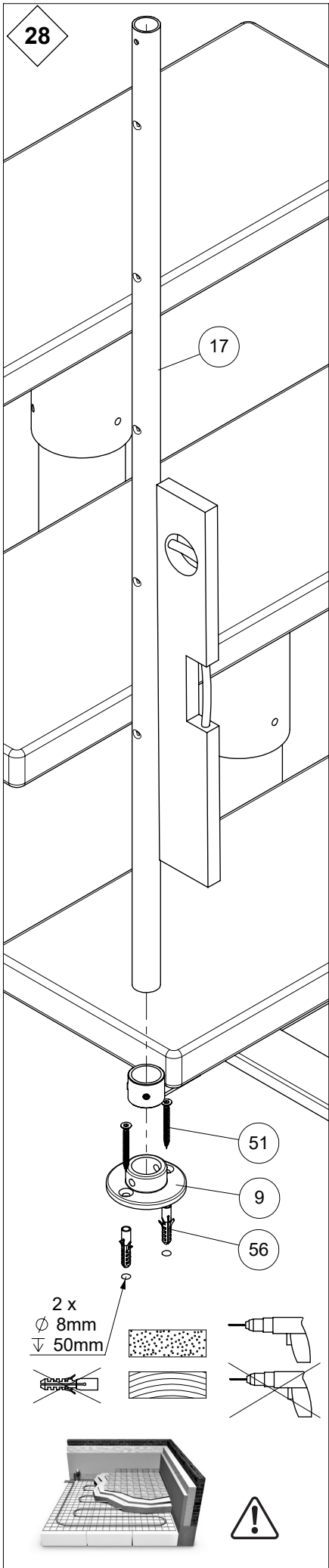
23

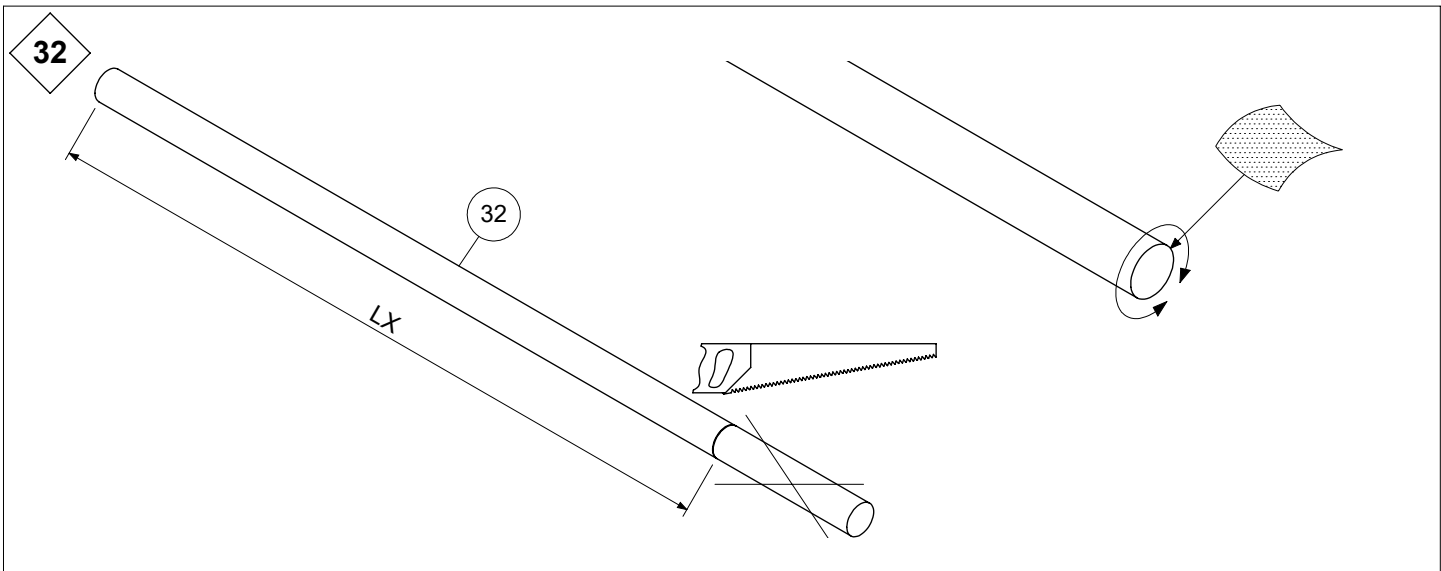
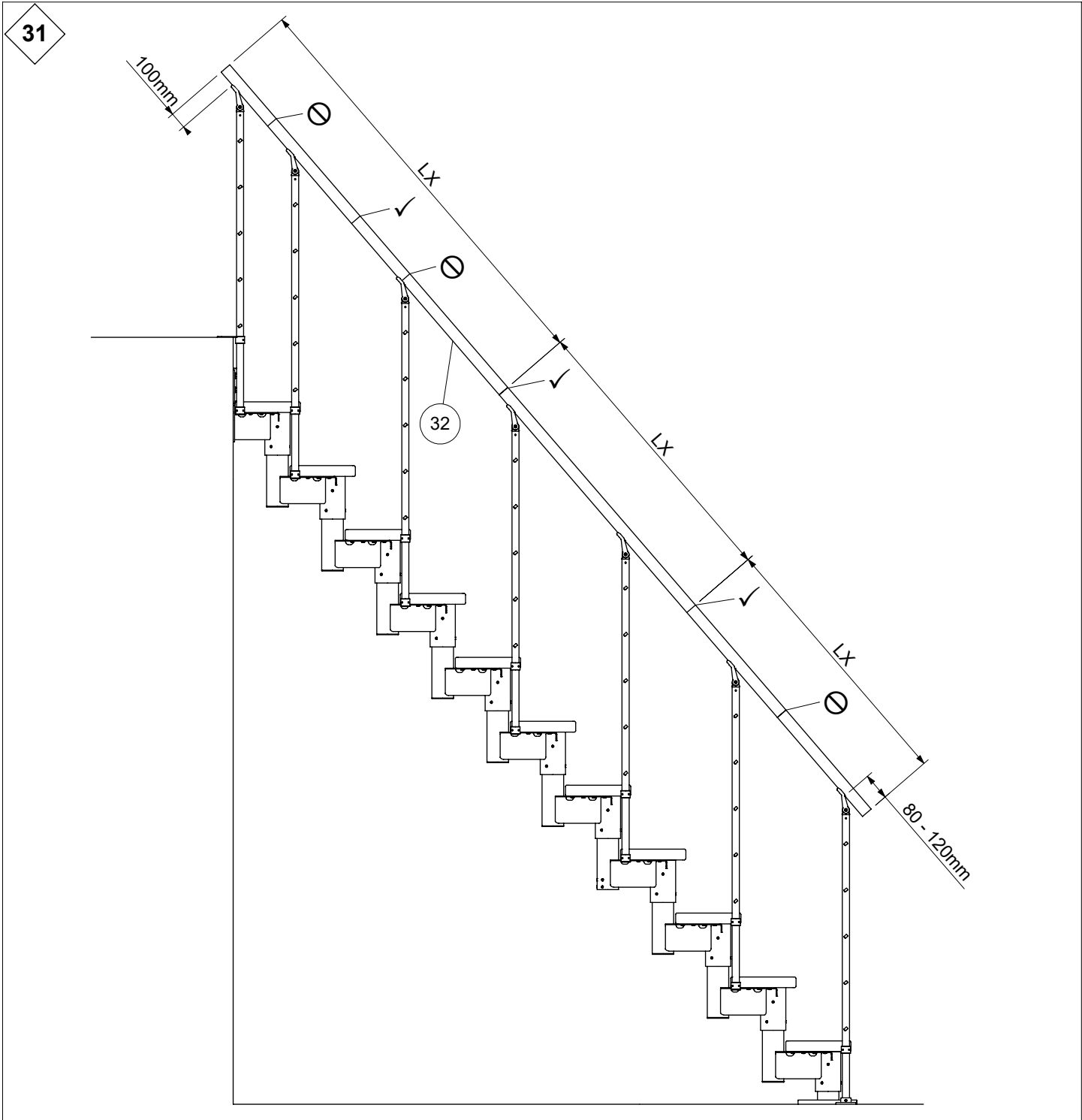


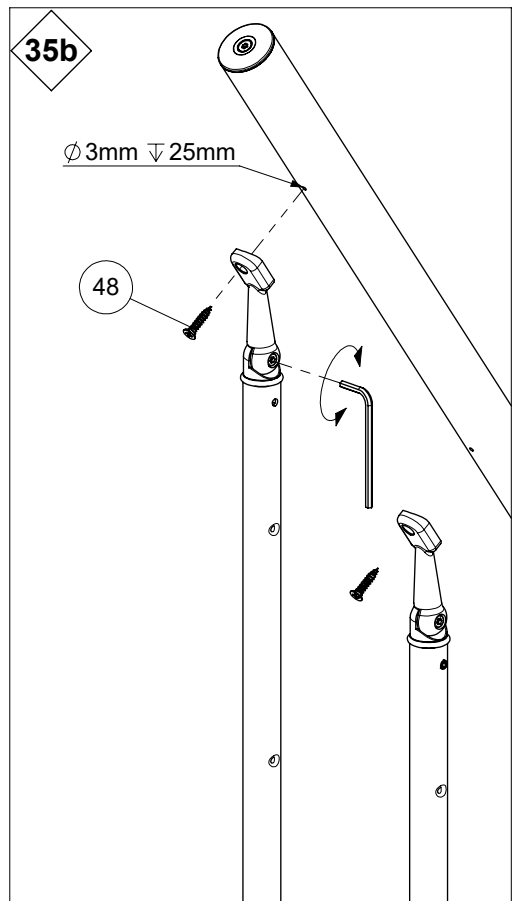
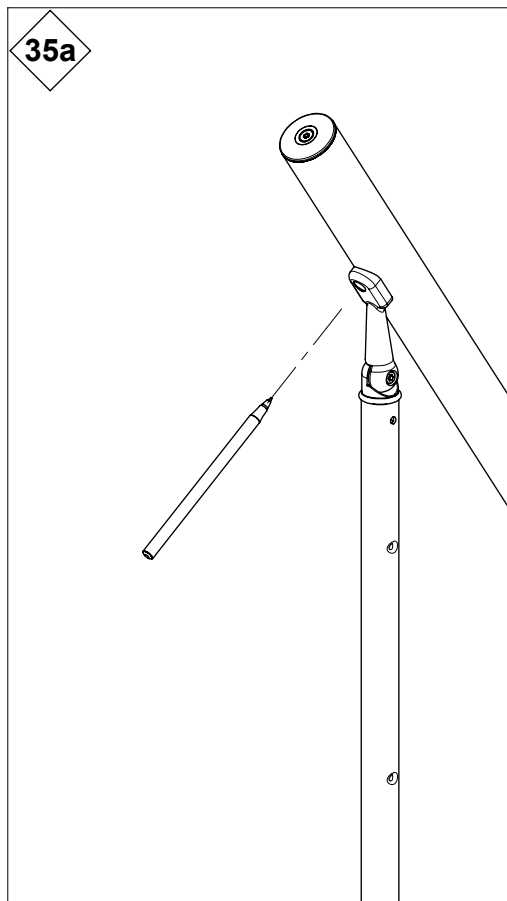
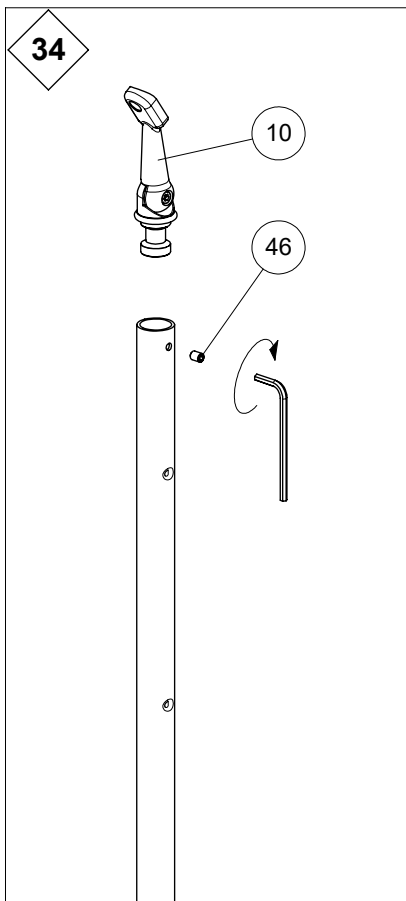
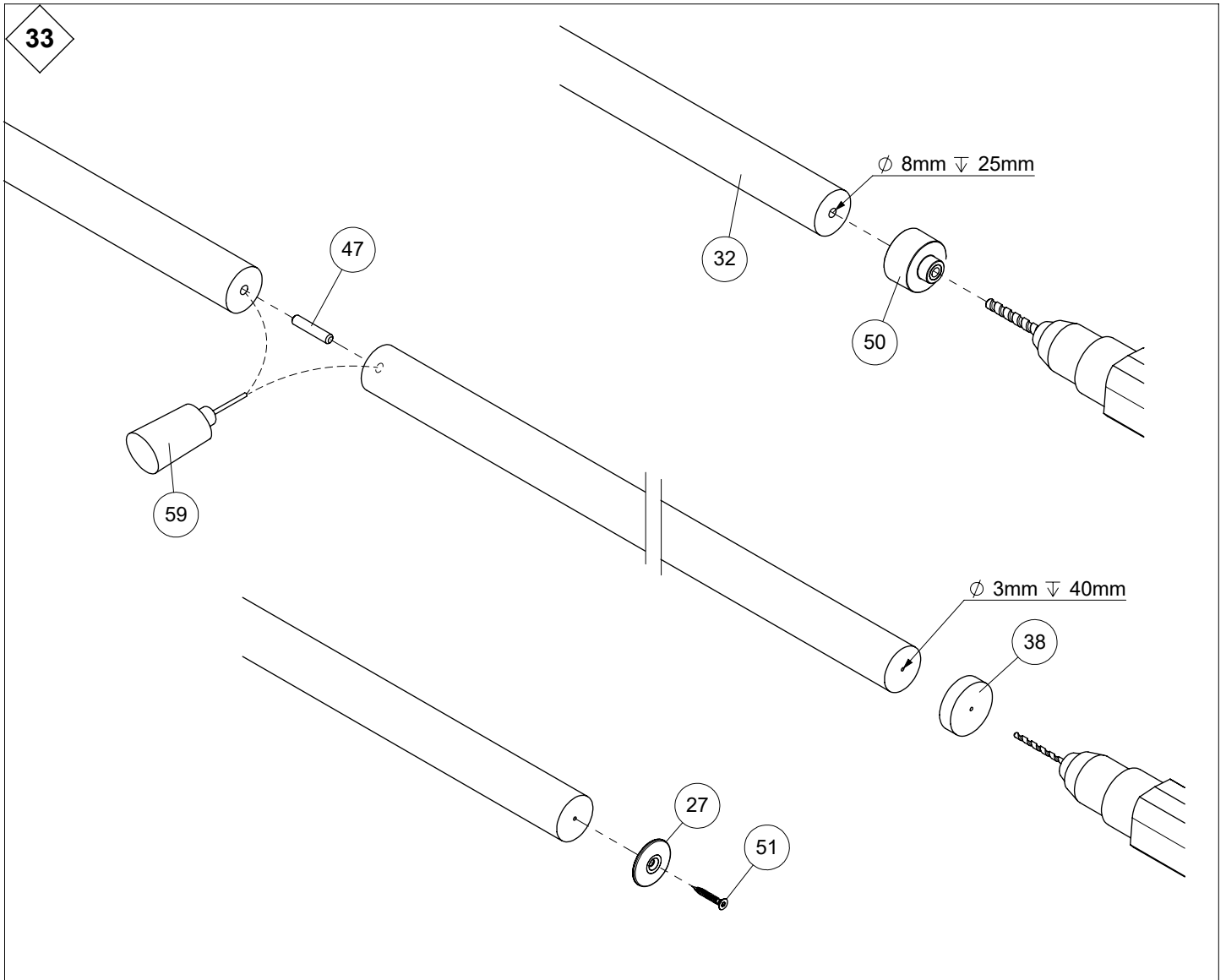
24



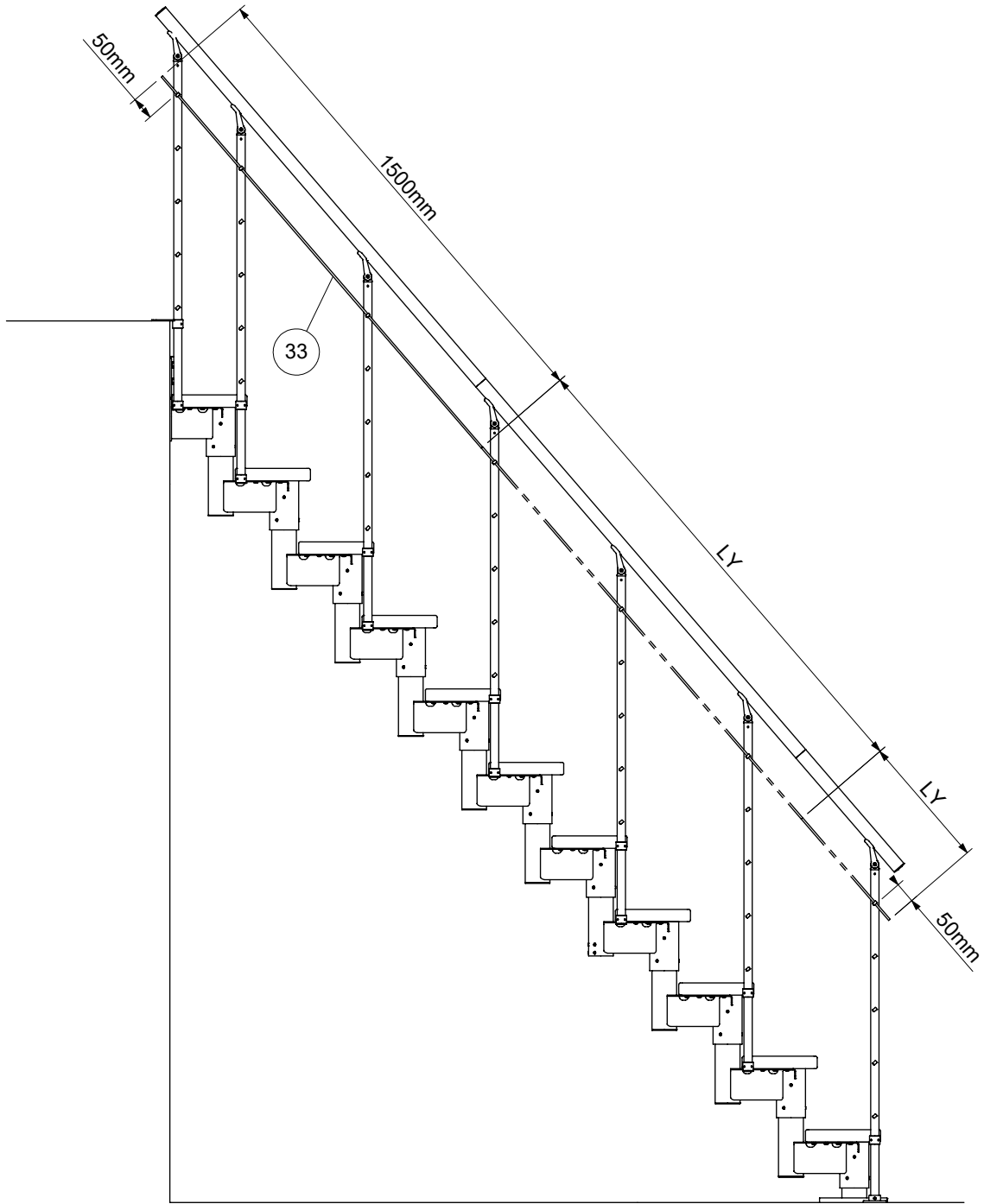








36



37

