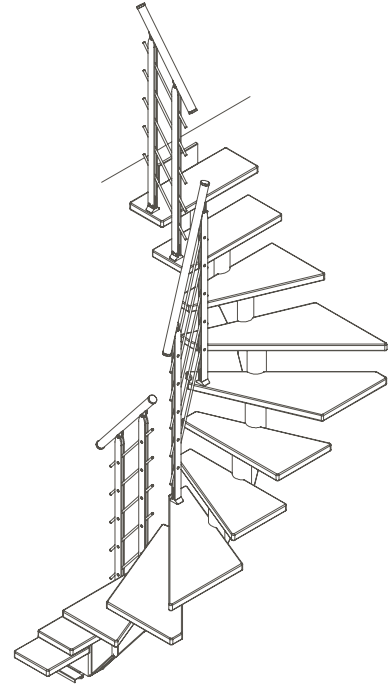
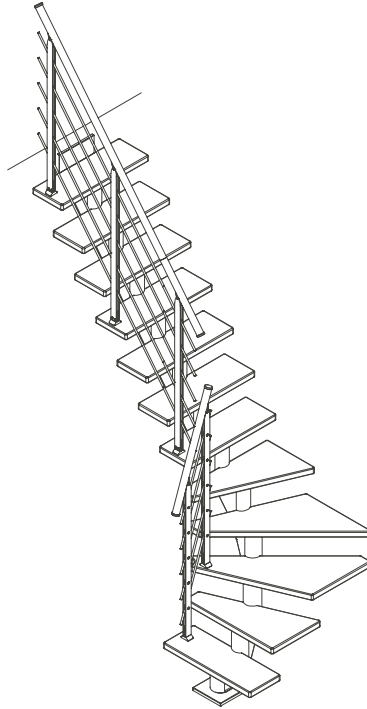
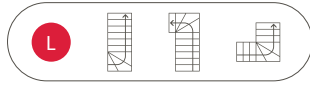
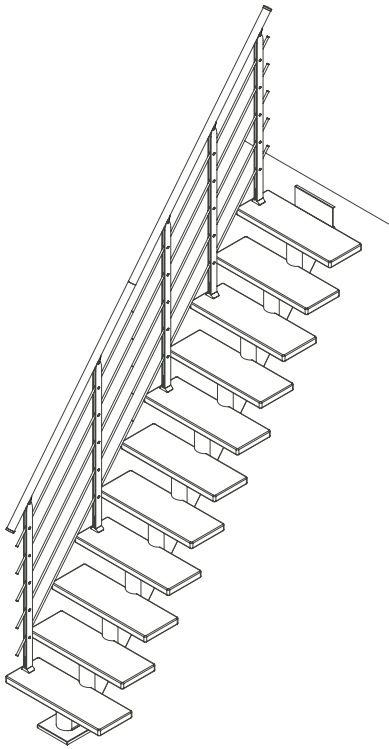
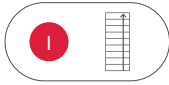


DESIGN BANISTER

FRANKFURT

**INSTRUCTION / MONTAGEANLEITUNG
INSTRUKTION / INSTRUCCION / INSTRUKCJA**



	Height floor-to-floor	Rise height	Number of treads
	Geschosshöhe	Steigungshöhe	Anzahl Stufen
	Hauteur sol-sol	Hauteur de marche	Nombre de marches
	Altura de suelo/suelo	Altura de peldaños	Numero de peldaños
	Altura do chão / chão	Altura do degrau	Número de etapas (degraus)
	Hoogte vloer/vloer	Hoogte trede	Aantal treden
	Etagehøjde	Stigningshøjde	Antal trin
	Golv till golv höjd	Stigningshöjd	Antal steg
	Wysokość kondygnacji od podłogi do podłogi	Wysokość stopnia	Ilość stopni
	Înălțime sol-sol	Înălțime treaptă	Număr trepte
	Výška patra podlaha-podlaha	Výška schodu	Počet nášlapů
	Висота от пола до пола	Шаг ступени	Кол-во ступеней
	Aukšto aukštis	Pakopos aukštis	Pakopų kiekis
	Stāva augstums	Pakāpiena augstums	Pakāpienu skaits
	Korruse kõrgus	Astme kõrgus	Astmete arv
	Višina nadstropja	Višina stopnice	Število stopnic
	Visina kata	Visina stepenice	Broj stepenica
	Výška podlažia	Výška stupňa	Počet stupňov

1

x 1
 K2-1077420 RAL 7016
 K2-1077421 RAL 9005
 K2-1077422 Pearl grey
 K2-1077423 RAL 9016

	11	12	13
x	9	10	11

2

K2-1077425 RAL 7016
 K2-1077421 RAL 9005
 K2-1077422 Pearl grey
 K2-1077423 RAL 9016

	11	12	13
x	9	10	11

3

x 1
 K2-1077430 RAL 7016
 K2-1077431 RAL 9005
 K2-1077432 Pearl grey
 K2-1077433 RAL 9016

4

x 1
 K2-1077440 RAL 7016
 K2-1077441 RAL 9005
 K2-1077442 Pearl grey
 K2-1077443 RAL 9016

5

H2-20505

	11	12	13
x	10	11	12

6

H2-20506

	11	12	13
x	10	11	12

7

K2-1077710 RAL 7016
 K2-1077711 RAL 9005
 K2-1077712 Pearl grey
 K2-1077713 RAL 9016

	11	12	13
x	5	5	5
	I	5	5
	L	5	6
	U	6	7

8

K1-1077203

	11	12	13
x	5	5	5
	I	5	5
	L	5	6
	U	6	7

9

K1-1077070 RAL 7016
 K1-1077071 RAL 9005
 K1-1077072 Pearl grey
 K1-1077073 RAL 9016

10

K1-1077400 RAL 7016
 K1-1077401 RAL 9005
 K1-1077402 Pearl grey
 K1-1077403 RAL 9016

11

K1-1077400 RAL 7016
 K1-1077401 RAL 9005
 K1-1077402 Pearl grey
 K1-1077403 RAL 9016

20

x 1
 M2-1078300 Beech / Buche / Beuken / Hêtre / Bøg
 M2-1078310 Oak / Eiche / Bijv / Chêne / Eg
 M2-1078320 Oak white / Eiche weiß / Bijv wt / Chêne blanc / Eg hvid

21

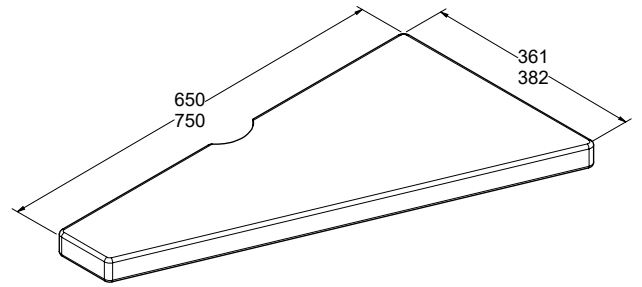
M2-1078301 Beech / Buche / Beuken / Hêtre / Bøg
 M2-1078302 Oak / Eiche / Bijv / Chêne / Eg
 M2-1078303 Oak white / Eiche weiß / Bijv wt / Chêne blanc / Eg hvid

	11	12	13
x	10	11	12
	I	6	7
	L	7	8
	U	2	3

25

x	I	0
	L	1
	U	2

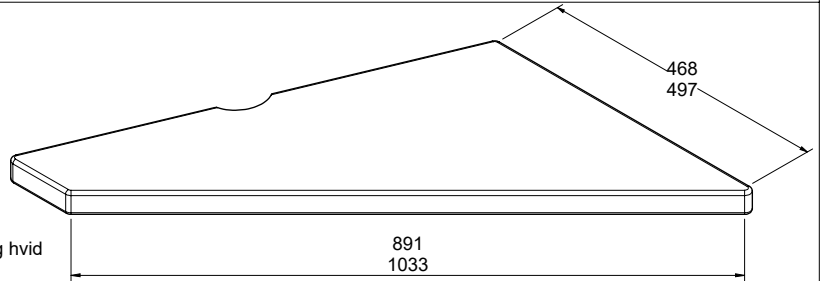
- M2-1078309 650 mm Beech / Buche / Beuk / Hêtre / Bøg
- M2-1078319 650 mm Oak / Eiche / Eik / Chêne / Eg
- M2-1078329 650 mm Oak white / Eiche weiß / Eik wit / Chêne blanc / Eg hvid
- M2-1078359 750 mm Beech / Buche / Beuk / Hêtre / Bøg
- M2-1078369 750 mm Oak / Eiche / Eik / Chêne / Eg
- M2-1078379 750 mm Oak white / Eiche weiß / Eik wit / Chêne blanc / Eg hvid



24

x	I	0
	L	1
	U	2

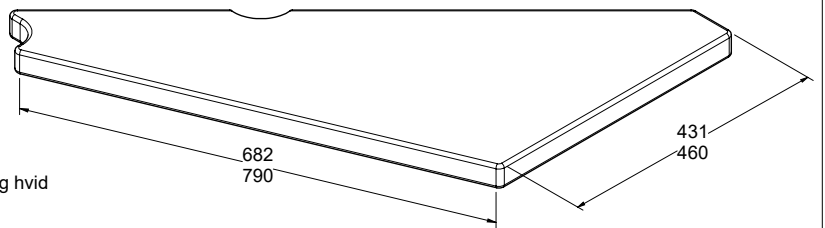
- M2-1078308 650 mm Beech / Buche / Beuk / Hêtre / Bøg
- M2-1078318 650 mm Oak / Eiche / Eik / Chêne / Eg
- M2-1078328 650 mm Oak white / Eiche weiß / Eik wit / Chêne blanc / Eg hvid
- M2-1078358 750 mm Beech / Buche / Beuk / Hêtre / Bøg
- M2-1078368 750 mm Oak / Eiche / Eik wit / Chêne / Eg
- M2-1078378 750 mm Oak white / Eiche weiß / Eik wit / Chêne blanc / Eg hvid



23

x	I	0
	L	1
	U	2

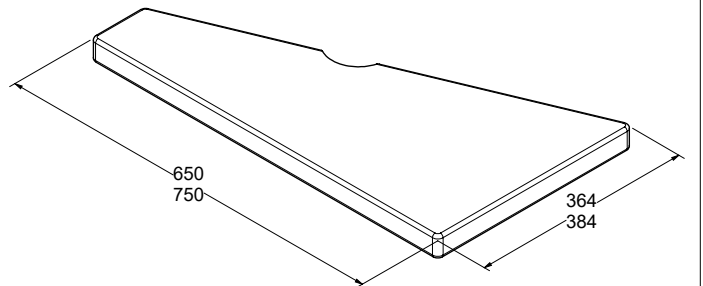
- M2-1078307 650 mm Beech / Buche / Beuk / Hêtre / Bøg
- M2-1078317 650 mm Oak / Eiche / Eik / Chêne / Eg
- M2-1078327 650 mm Oak white / Eiche weiß / Eik wit / Chêne blanc / Eg hvid
- M2-1078357 750 mm Beech / Buche / Beuk / Hêtre / Bøg
- M2-1078367 750 mm Oak / Eiche / Eik / Chêne / Eg
- M2-1078377 750 mm Oak white / Eiche weiß / Eik wit / Chêne blanc / Eg hvid



22

x	I	0
	L	1
	U	2

- M2-1078306 650 mm Beech / Buche / Beuk / Hêtre / Bøg
- M2-1078316 650 mm Oak / Eiche / Eik / Chêne / Eg
- M2-1078326 650 mm Oak white / Eiche weiß / Eik wit / Chêne blanc / Eg hvid
- M2-1078356 750 mm Beech / Buche / Beuk / Hêtre / Bøg
- M2-1078366 750 mm Oak / Eiche / Eik / Chêne / Eg
- M2-1078376 750 mm Oak white / Eiche weiß / Eik wit / Chêne blanc / Eg hvid



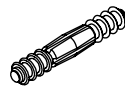
27

	11	12	13	
x	I	2	2	2
	L	4	4	4
	U	6	6	6



K1-1077720

30



x 10
K3-08023

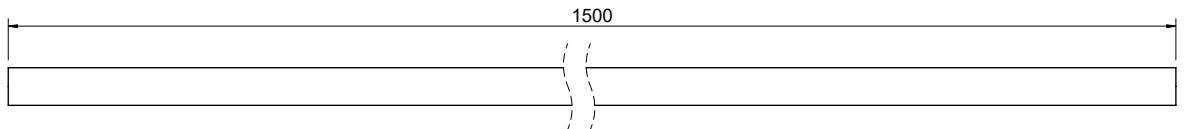
31



	11	12	13	
x	I	10	10	10
	L	20	20	20
	U	30	30	30

K1-18099

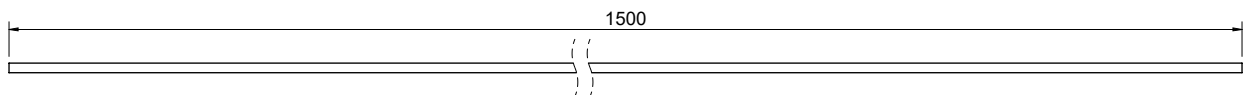
32



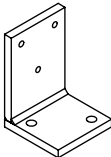
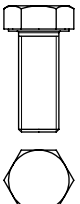
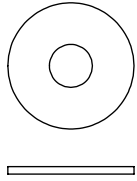



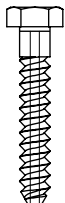

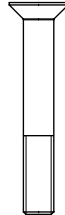
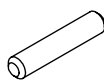

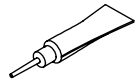
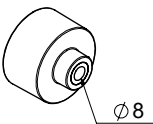


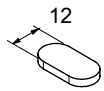

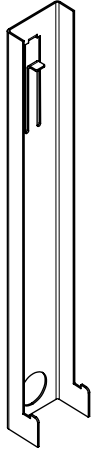
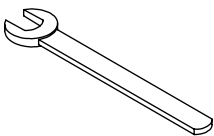
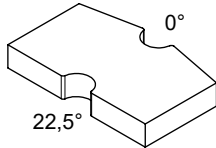
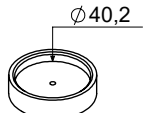
	11	12	13	
x	I	3	3	3
	L	2	2	2
	U	2	2	2

- M2-1078905 Beech / Buche / Beuken / Hêter / Bøg
- M2-1078915 Oak / Eiche / Bijv / Chêne / Eg
- M2-1078917 Oak white / Eiche weiß / Bijv wit / Chêne blanc / Eg hvid

33

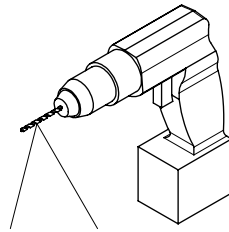
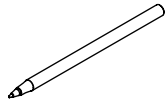


x 15
K1-18049

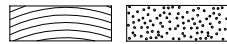
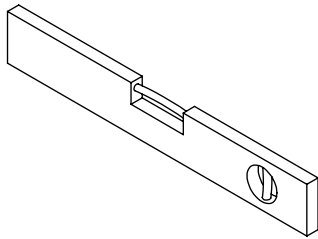
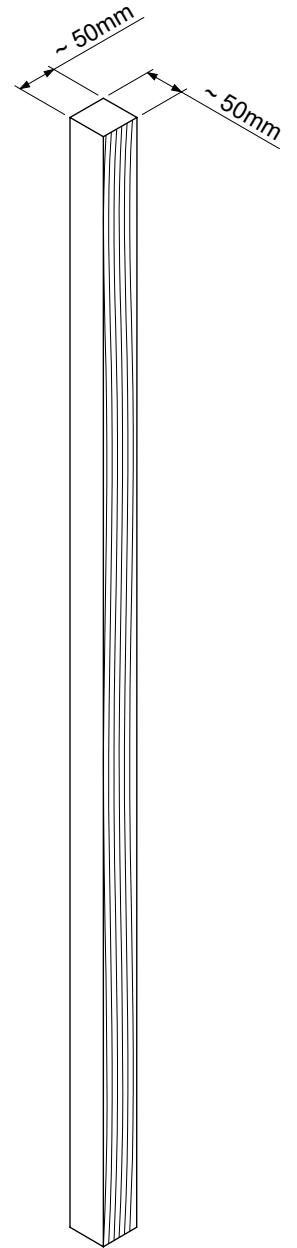
<p>36</p> <p>x 4 K1-1077295 RAL 7016 K1-1077296 RAL 9005 K1-1077297 Pearl grey K1-1077298 RAL 9016</p> 																																											
<p>37</p> <table border="1" data-bbox="76 414 247 470"> <tr><td></td><td>11</td><td>12</td><td>13</td></tr> <tr><td>x</td><td>11</td><td>12</td><td>13</td></tr> </table> <p>R1-63500 M16 x 40</p> 		11	12	13	x	11	12	13	<p>38</p> <table border="1" data-bbox="443 414 614 470"> <tr><td></td><td>11</td><td>12</td><td>13</td></tr> <tr><td>x</td><td>11</td><td>12</td><td>13</td></tr> </table> <p>K3-04053 Ø50 / Ø17</p> 		11	12	13	x	11	12	13	<p>39</p>  <p>x 1 R2-86074 M16</p>	<p>40</p>  <p>x 17 K3-08001 Ø12 x 60</p>																								
	11	12	13																																								
x	11	12	13																																								
	11	12	13																																								
x	11	12	13																																								
<p>41</p>  <p>x 17 K3-04001 Ø10</p>	<p>42</p>  <p>x 17 K3-06003 Ø10 x 60</p>	<p>44</p> <table border="1" data-bbox="802 638 973 694"> <tr><td></td><td>11</td><td>12</td><td>13</td></tr> <tr><td>x</td><td>78</td><td>84</td><td>90</td></tr> </table> <p>R1-63267 Ø6 x 35 TX30</p> 		11	12	13	x	78	84	90																																	
	11	12	13																																								
x	78	84	90																																								
<p>46</p> <table border="1" data-bbox="76 817 263 929"> <tr><td></td><td></td><td>11</td><td>12</td><td>13</td></tr> <tr><td></td><td>I</td><td>5</td><td>5</td><td>5</td></tr> <tr><td>x</td><td>L</td><td>5</td><td>5</td><td>6</td></tr> <tr><td></td><td>U</td><td>6</td><td>6</td><td>7</td></tr> </table> <p>K3-02097 M10 x 70</p> 			11	12	13		I	5	5	5	x	L	5	5	6		U	6	6	7	<p>47</p>  <p>x 4 R3-91415 Ø8 x 40</p>	<p>48</p> <table border="1" data-bbox="802 817 989 929"> <tr><td></td><td></td><td>11</td><td>12</td><td>13</td></tr> <tr><td></td><td>I</td><td>5</td><td>5</td><td>5</td></tr> <tr><td>x</td><td>L</td><td>5</td><td>5</td><td>6</td></tr> <tr><td></td><td>U</td><td>6</td><td>6</td><td>7</td></tr> </table> <p>K3-06239 Ø4,5 x 25</p> 			11	12	13		I	5	5	5	x	L	5	5	6		U	6	6	7	<p>49</p>  <p>x 1 K3-90001</p> <p>Strong glue Superkleber Seconde lijm Colle forte Superlim</p>
		11	12	13																																							
	I	5	5	5																																							
x	L	5	5	6																																							
	U	6	6	7																																							
		11	12	13																																							
	I	5	5	5																																							
x	L	5	5	6																																							
	U	6	6	7																																							
<p>50</p>  <p>Ø8</p> <p>x 1 K1-01810</p>	<p>51</p>  <p>x 2 K3-06022 Ø5 x 35 TX25</p>																																										
<p>56</p>  <p>x 2 K3-08006 Ø6 x 40</p>	<p>58</p>  <p>12</p> <p>x 8 R3-20590</p>	<p>59</p>  <p>Wood glue Holzkleber Colle à bois Trælim Houtlijm</p> <p>x 1 K3-90005</p>	<p>60</p> 																																								
<p>61</p>  <p>x 1 R1-63501 24 mm</p>	<p>62</p>  <p>0° 22,5°</p> <p>x 1 H3-35920</p>	<p>63</p>  <p>Ø40,2</p> <p>x 1 K1-01620</p>	<p>x 1 H2-63530</p>																																								



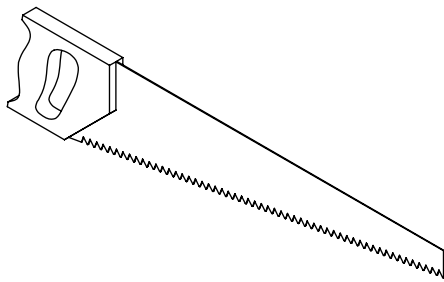
Tools not included!
Werkzeuge nicht enthalten!
Gereedschap niet inbegrepen!
Outils non inclus!
Værktøj ikke inkluderet!



TX25
TX30
PZ2



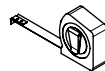
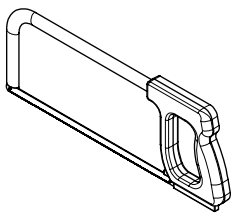
∅ 3mm ∅ 6mm
∅ 4mm ∅ 12mm
∅ 6mm
∅ 8mm
∅ 10mm



3mm
4mm
6mm



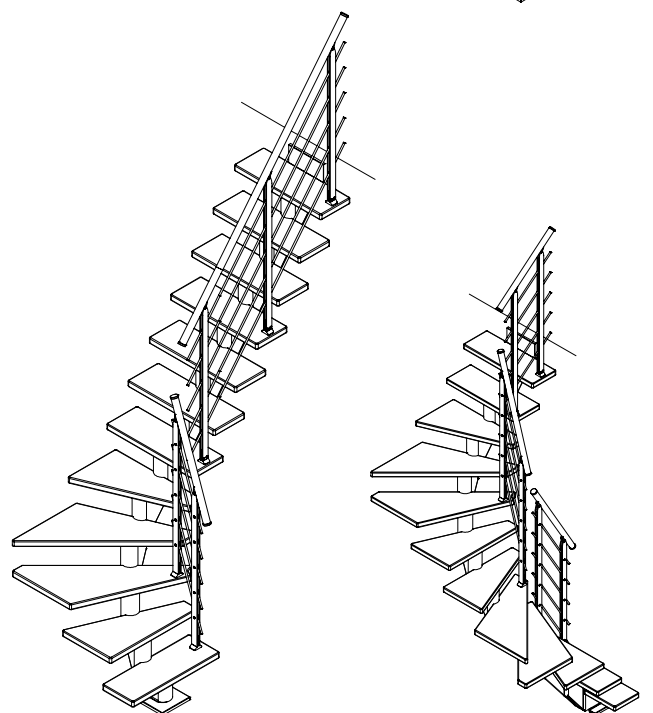
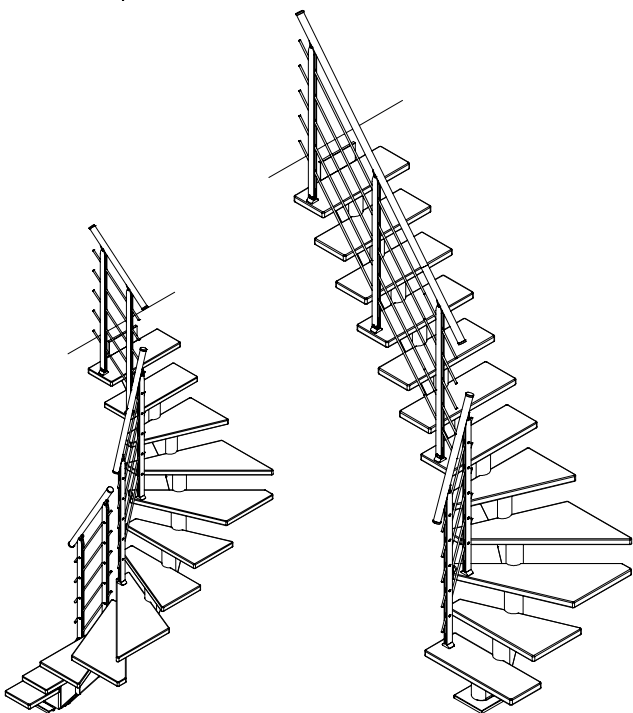
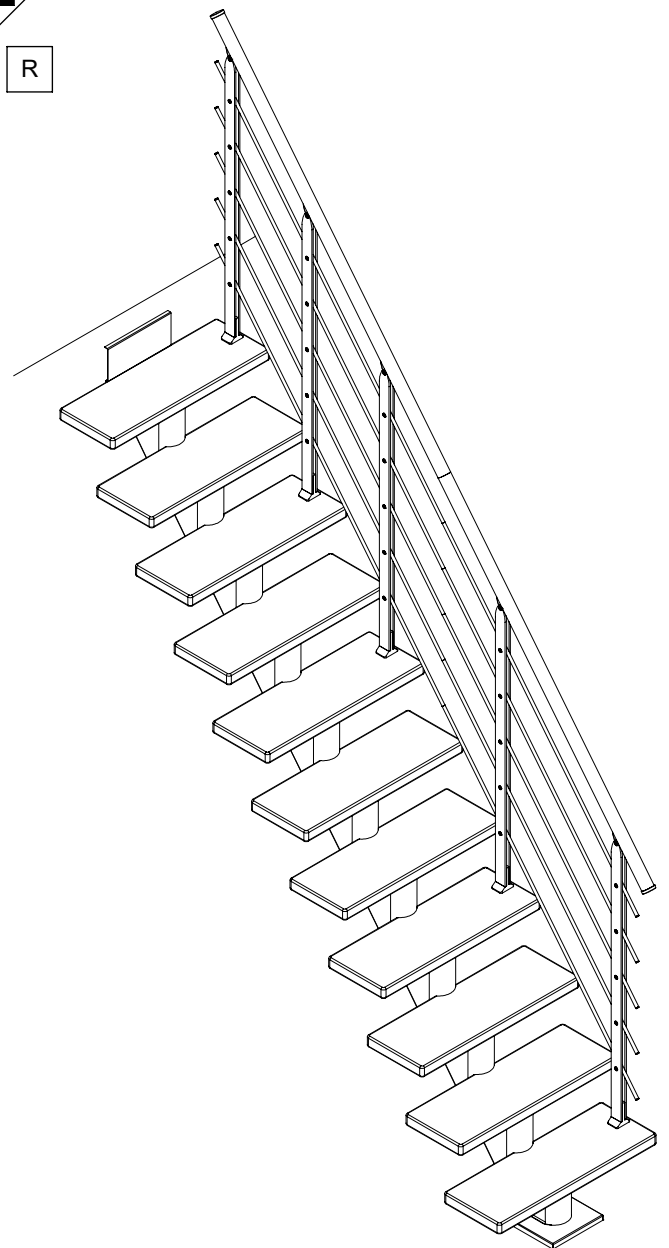
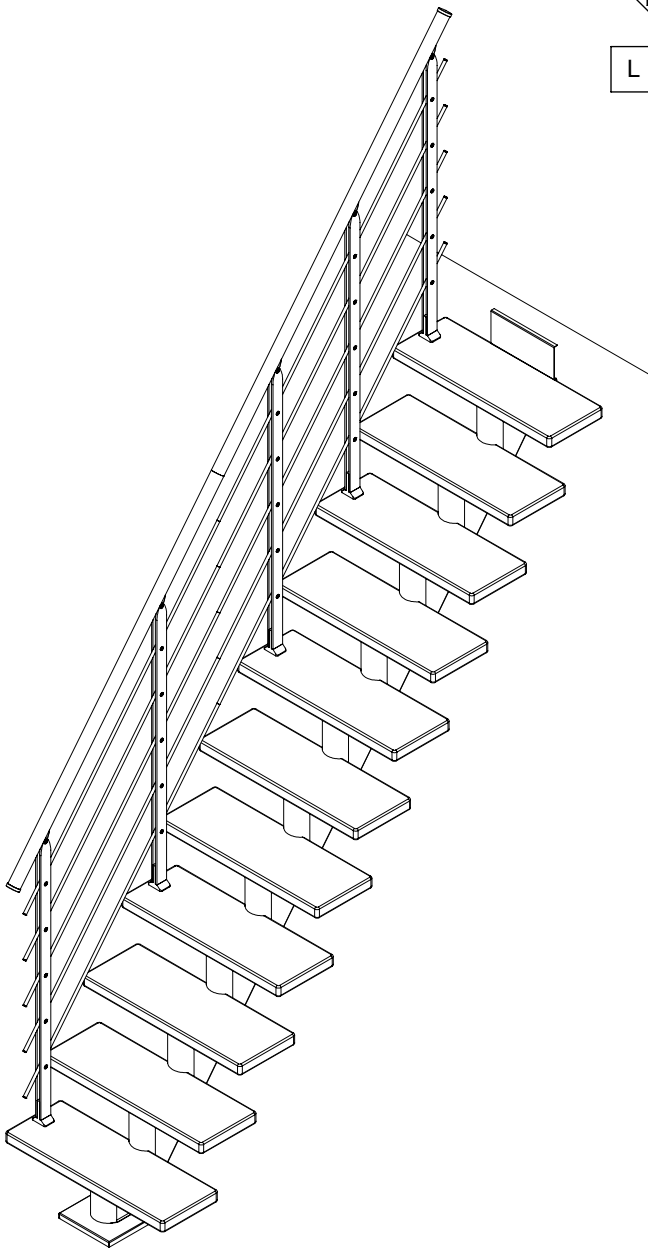
16mm

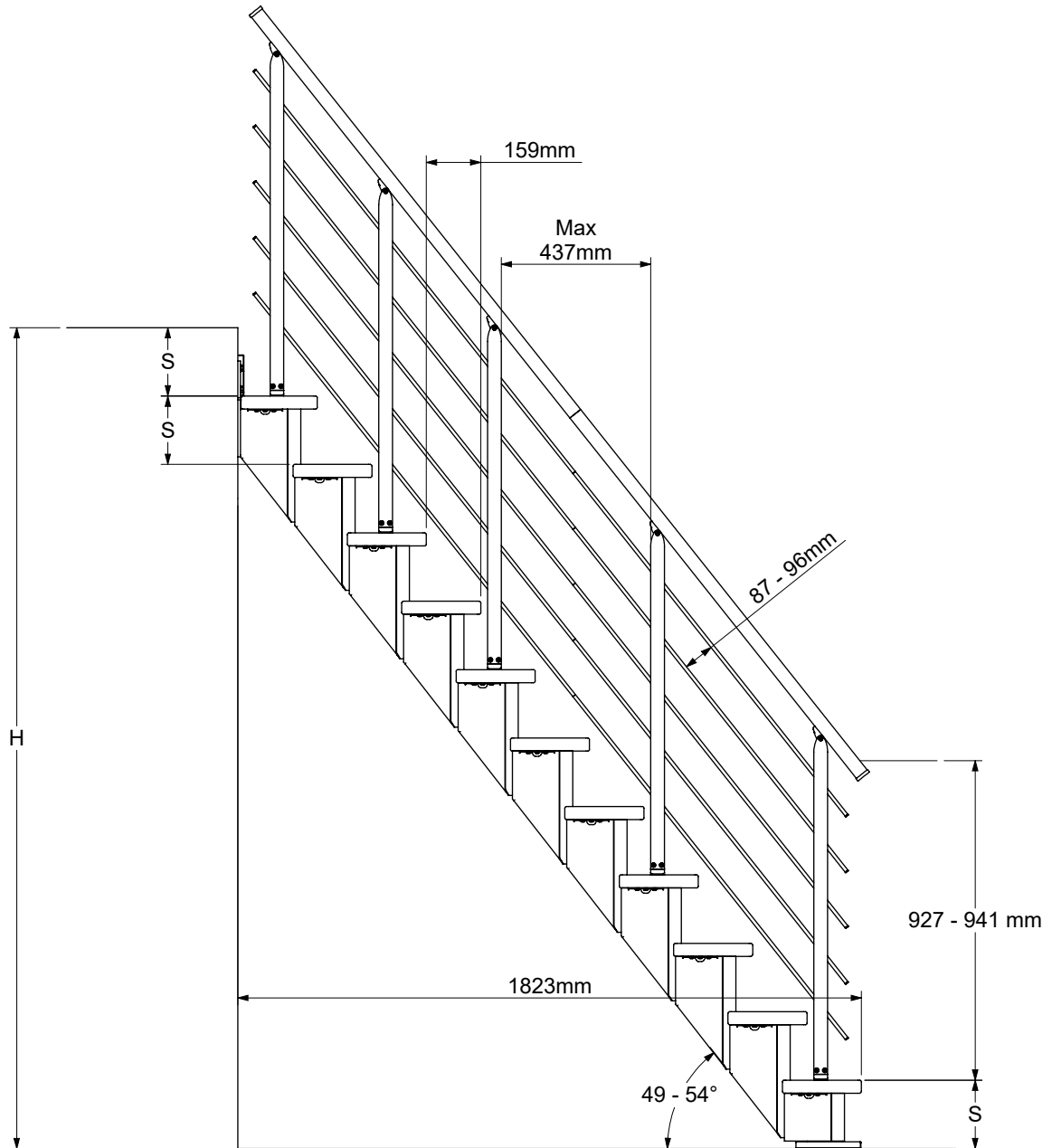




L

R





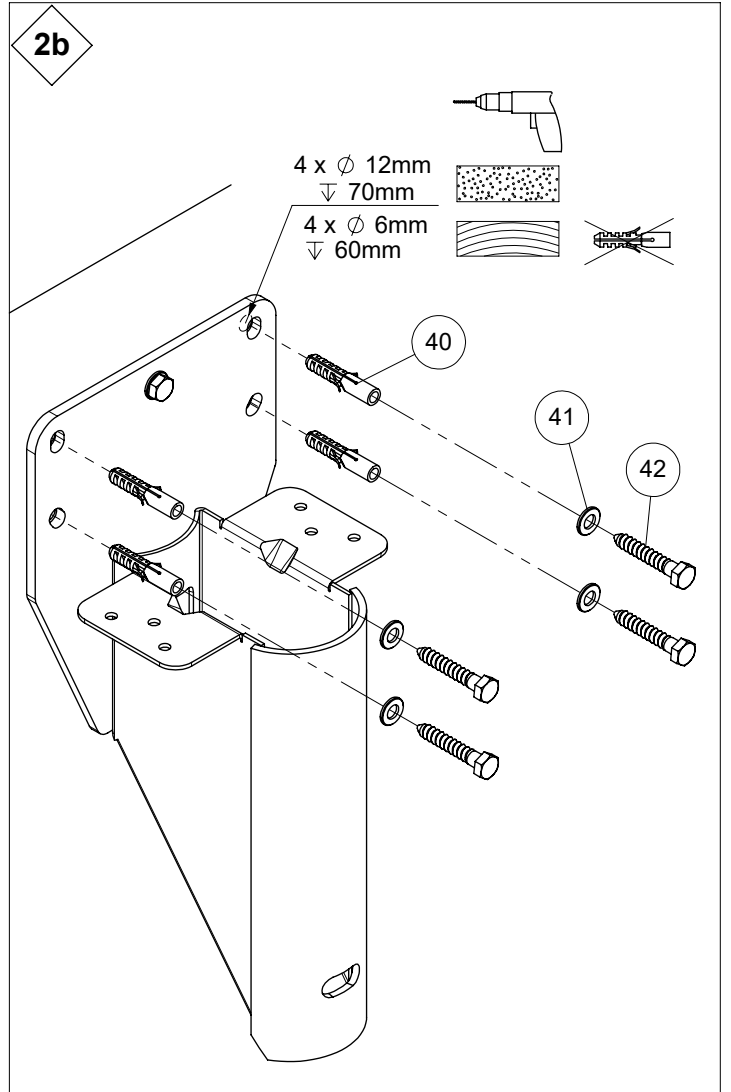
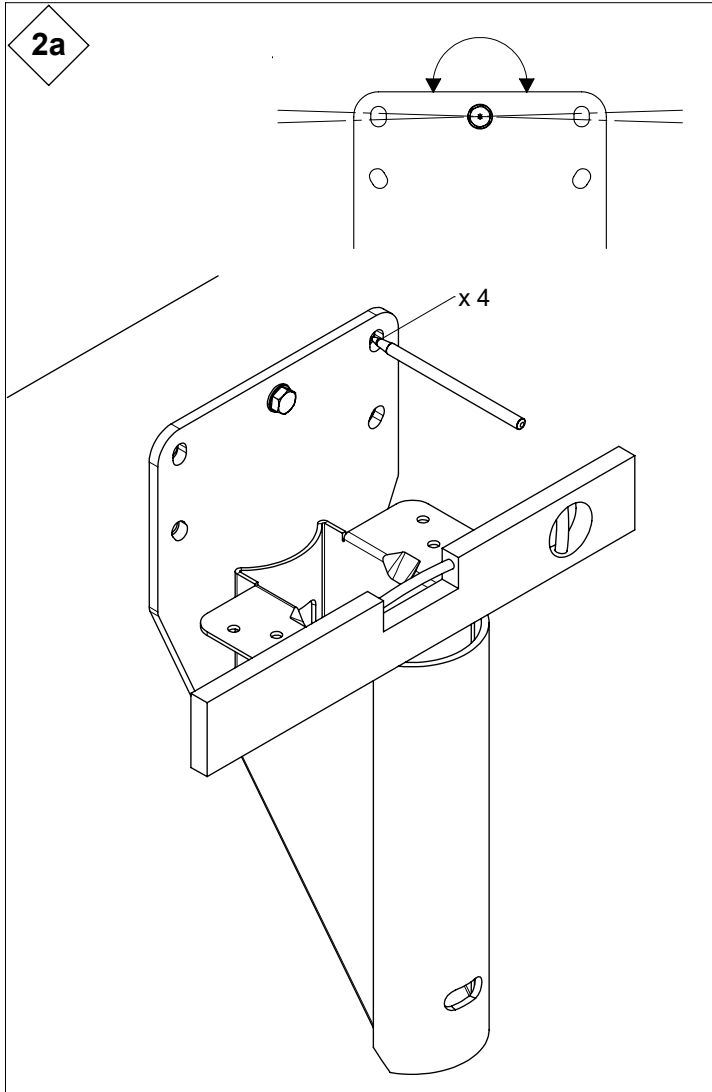
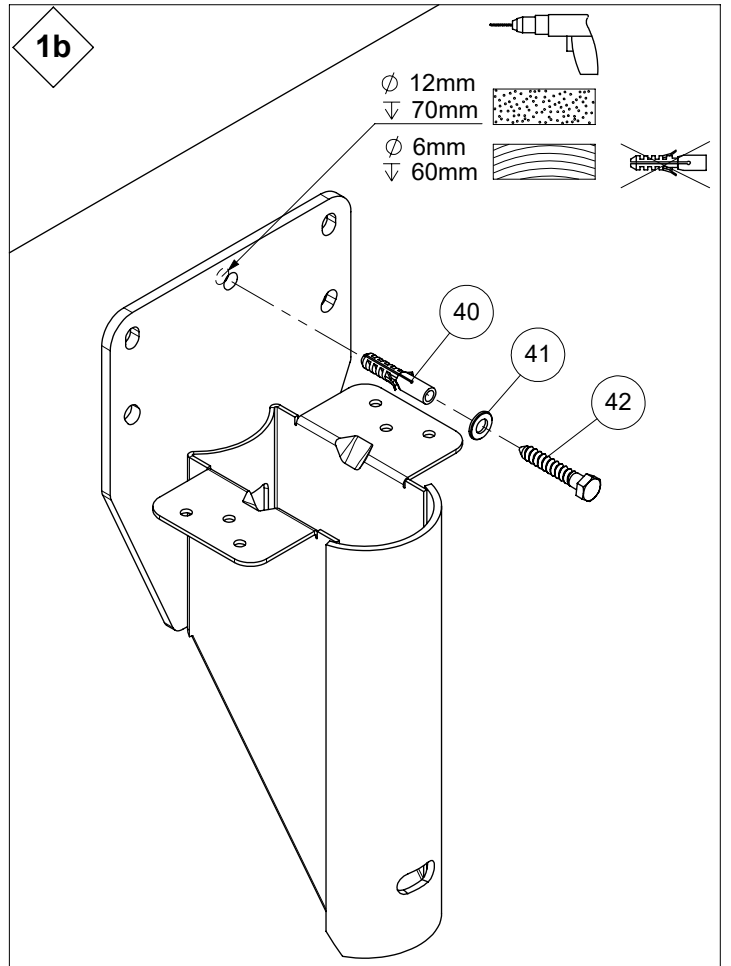
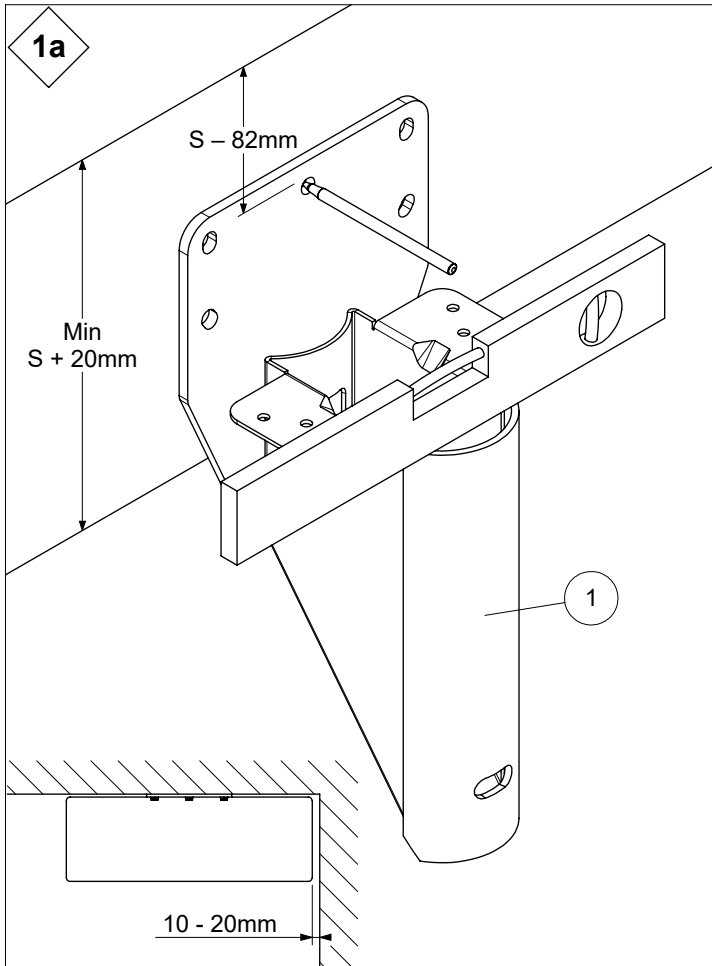
$$S = \frac{H}{T + 1}$$

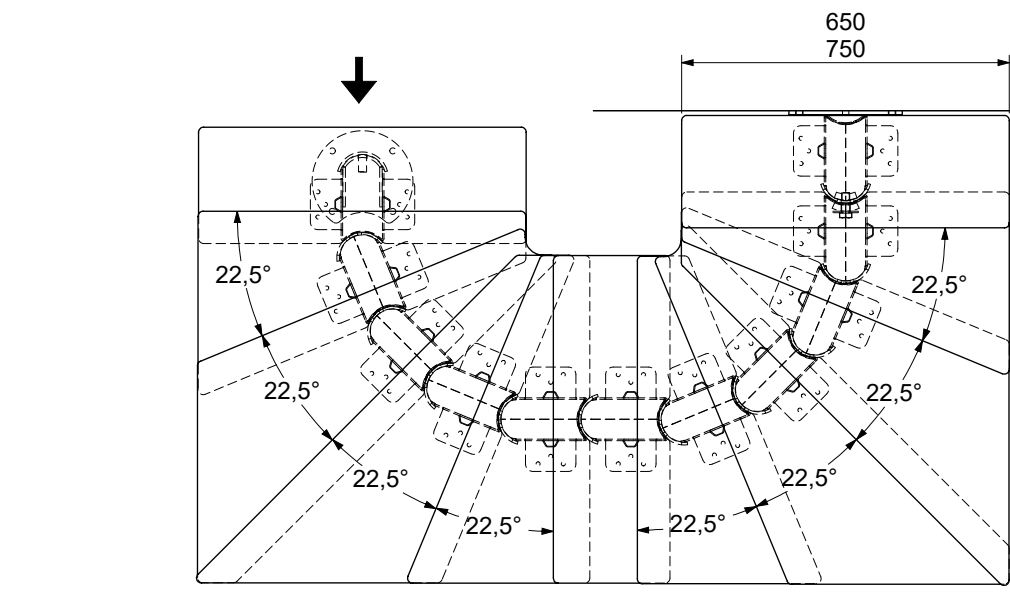
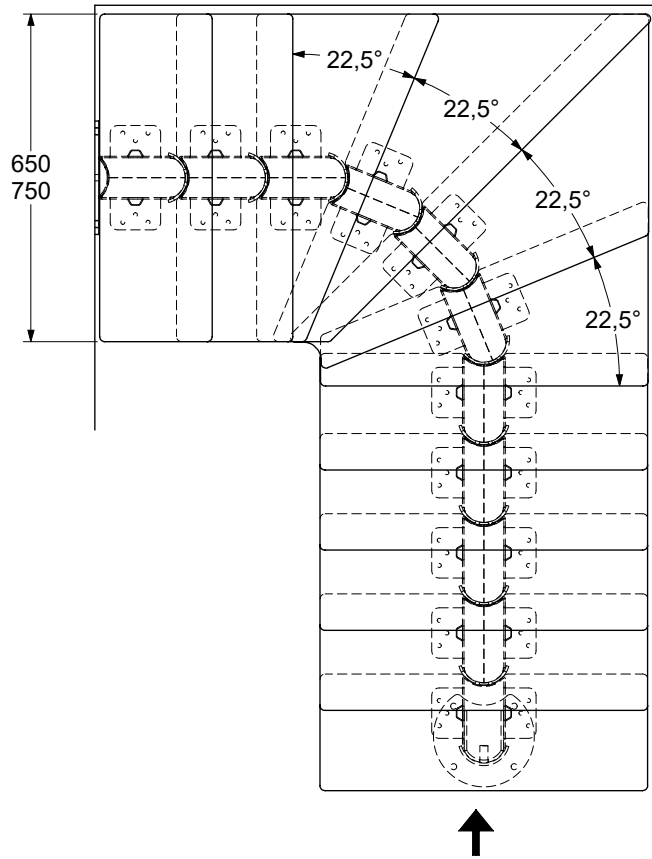
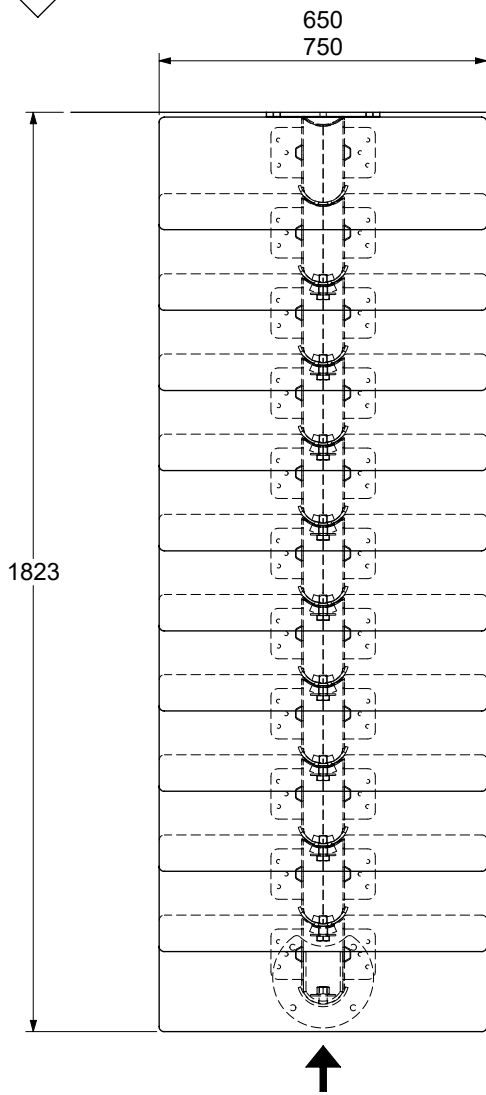
min S	max S
185 mm	215 mm

Example / Beispiel / Voorbeeld / Example / Eksempel:
H: 2400 mm, T: 11 st(pcs)

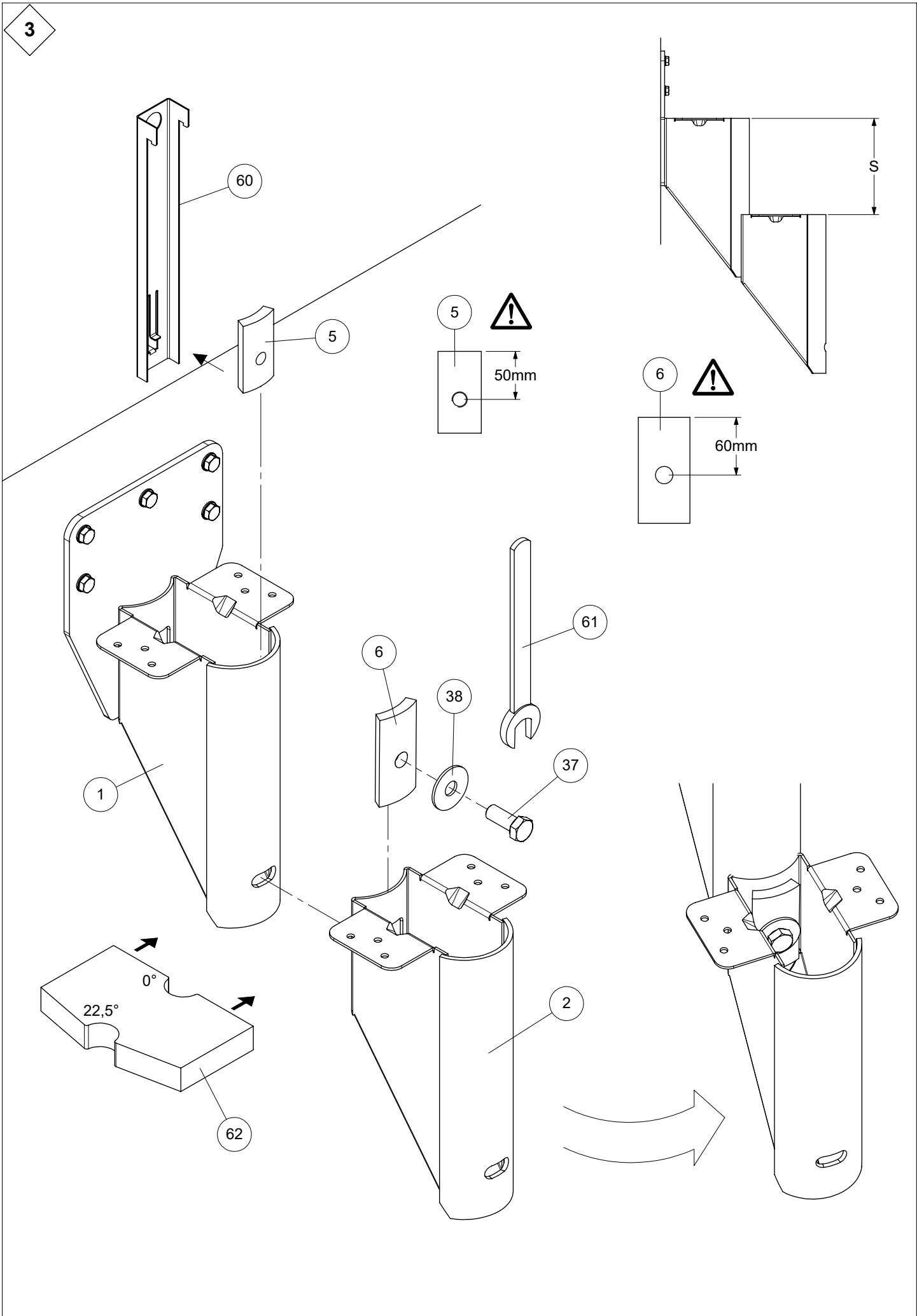
$$S = \frac{2400 \text{ mm}}{11 + 1} = 200 \text{ mm} \quad \text{👍}$$

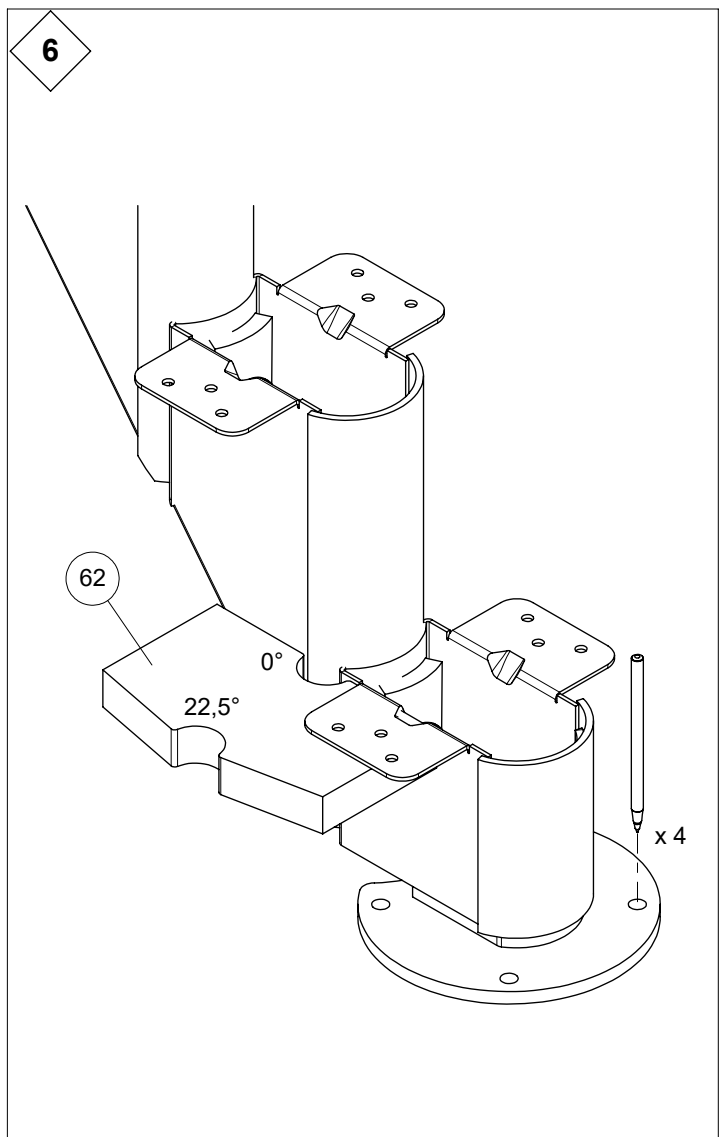
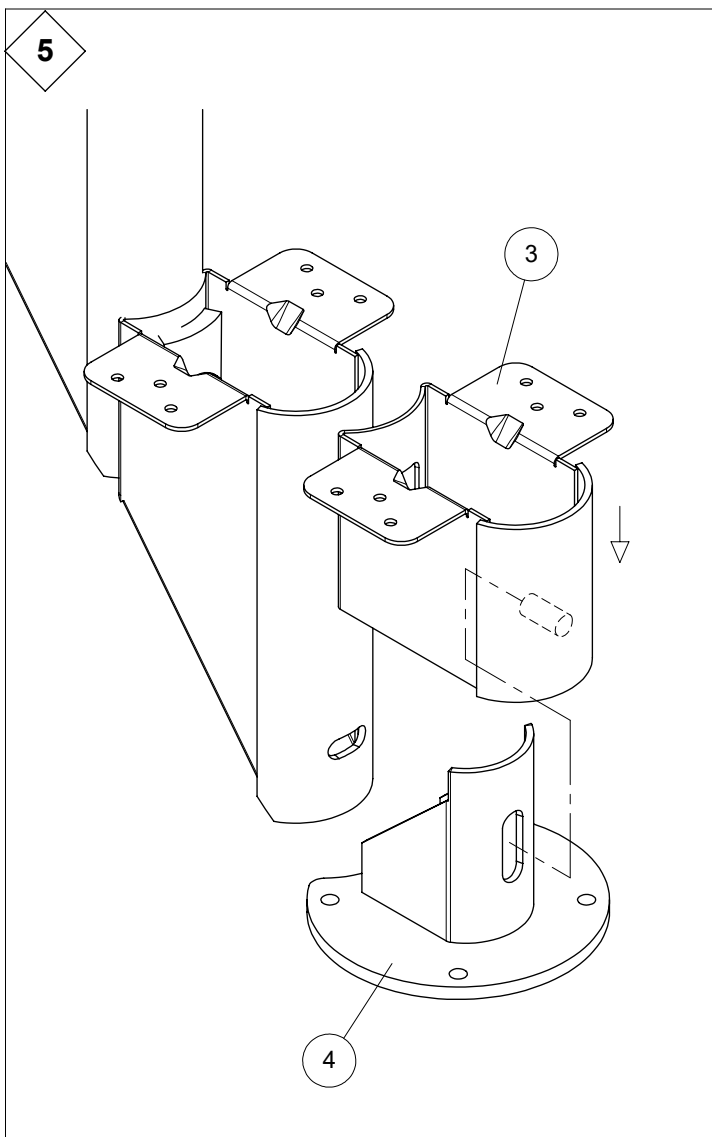
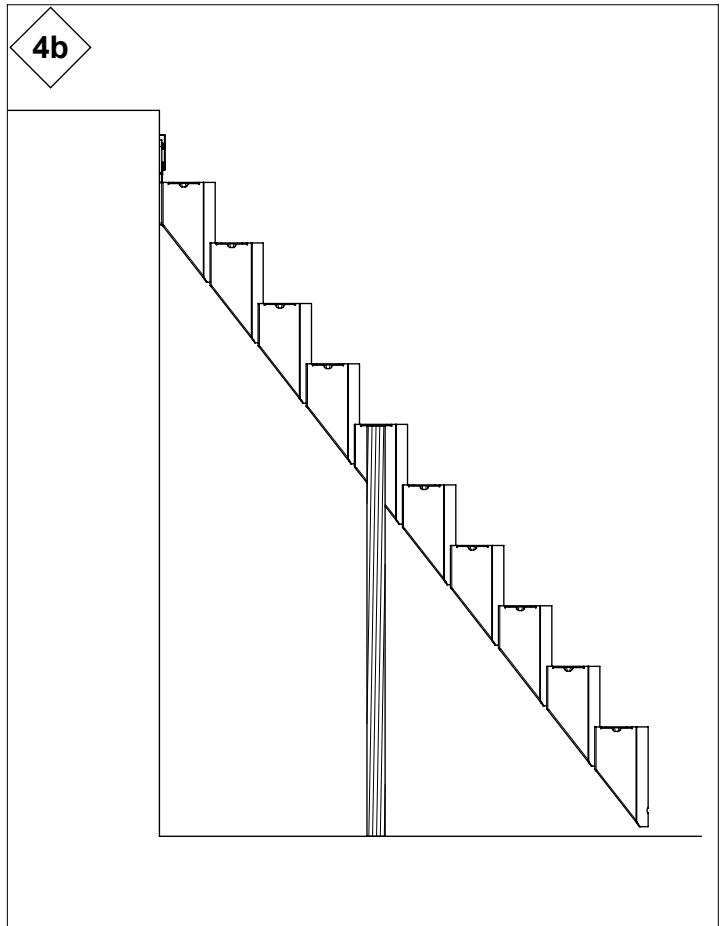
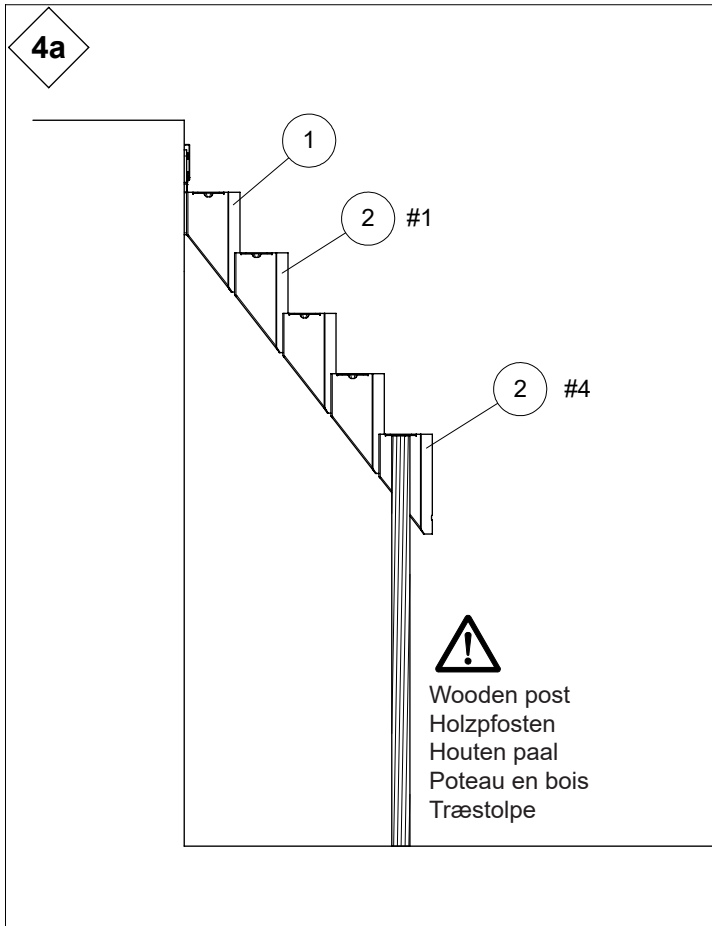
T	min H	max H
9	1850 mm	2150 mm
10	2035 mm	2365 mm
11	2220 mm	2580 mm
12	2405 mm	2795 mm
13	2590 mm	3010 mm



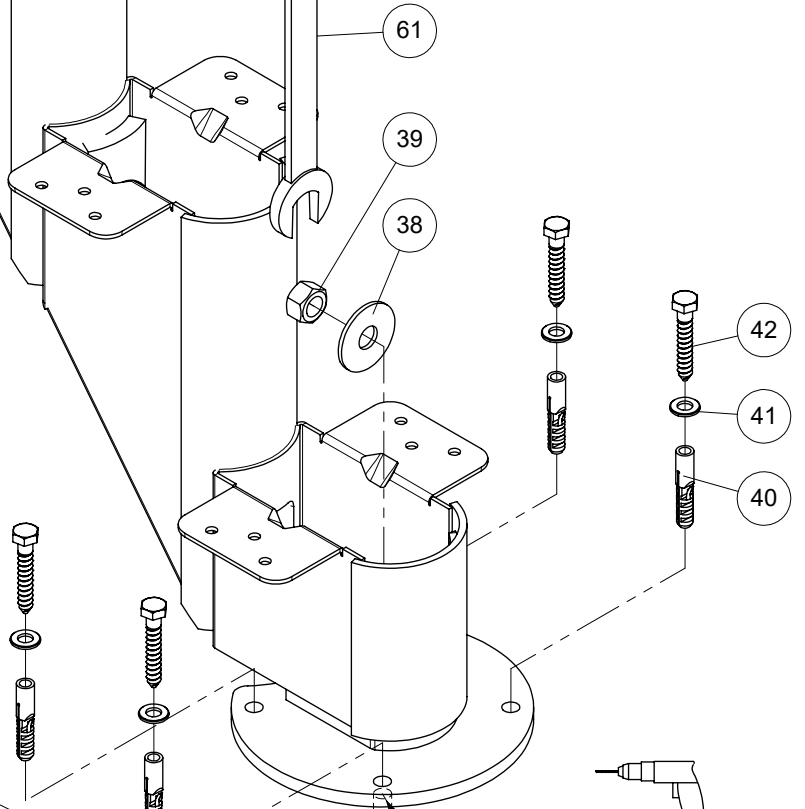
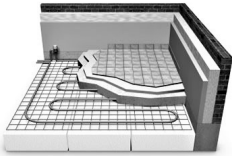


3

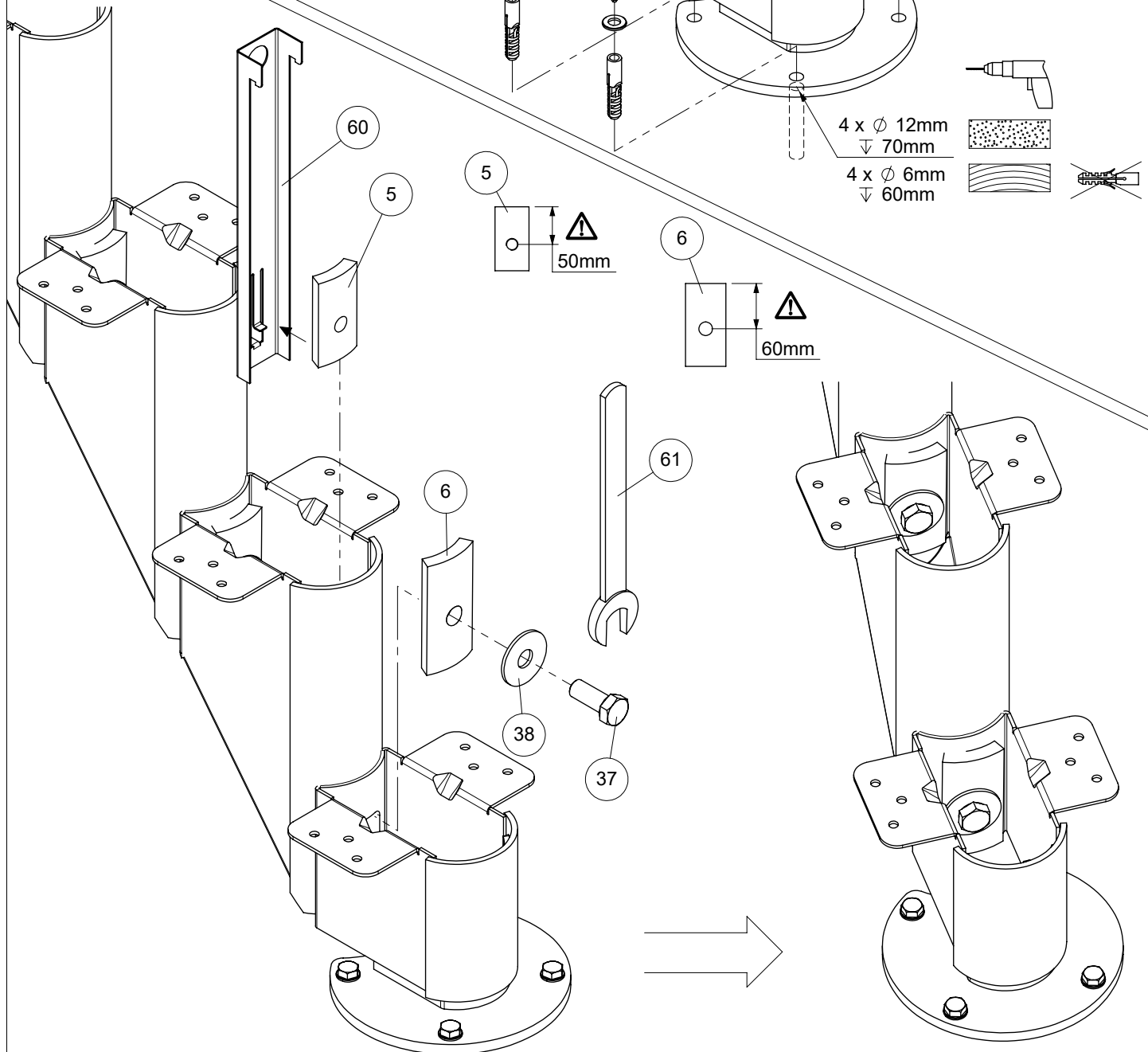
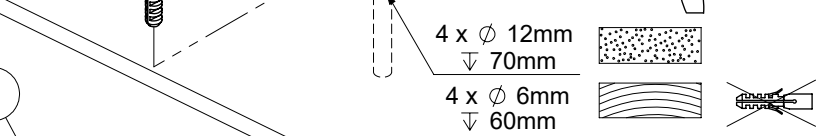


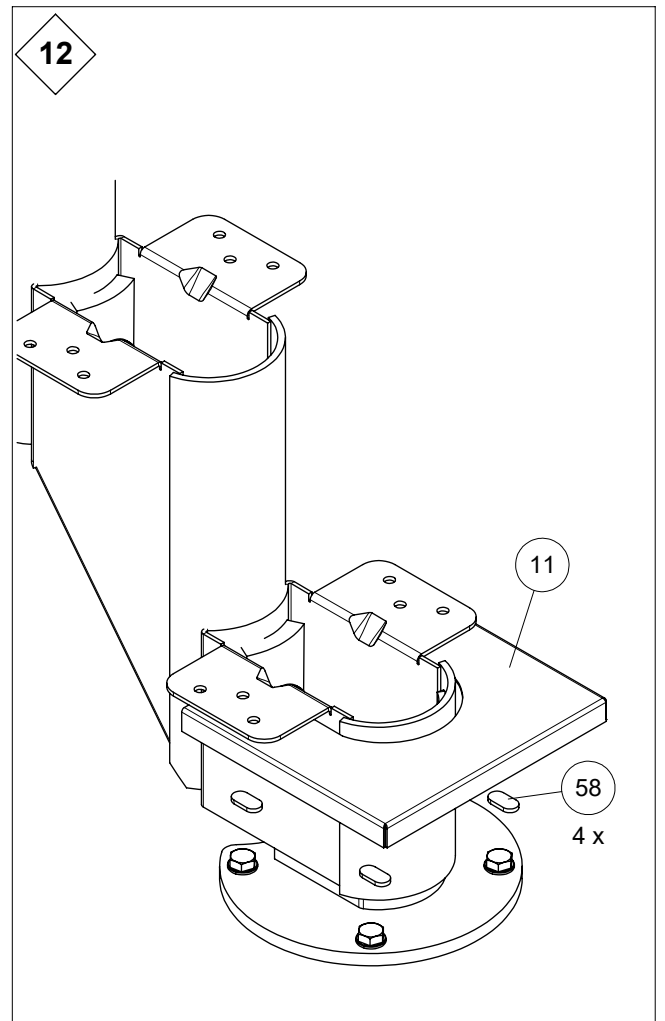
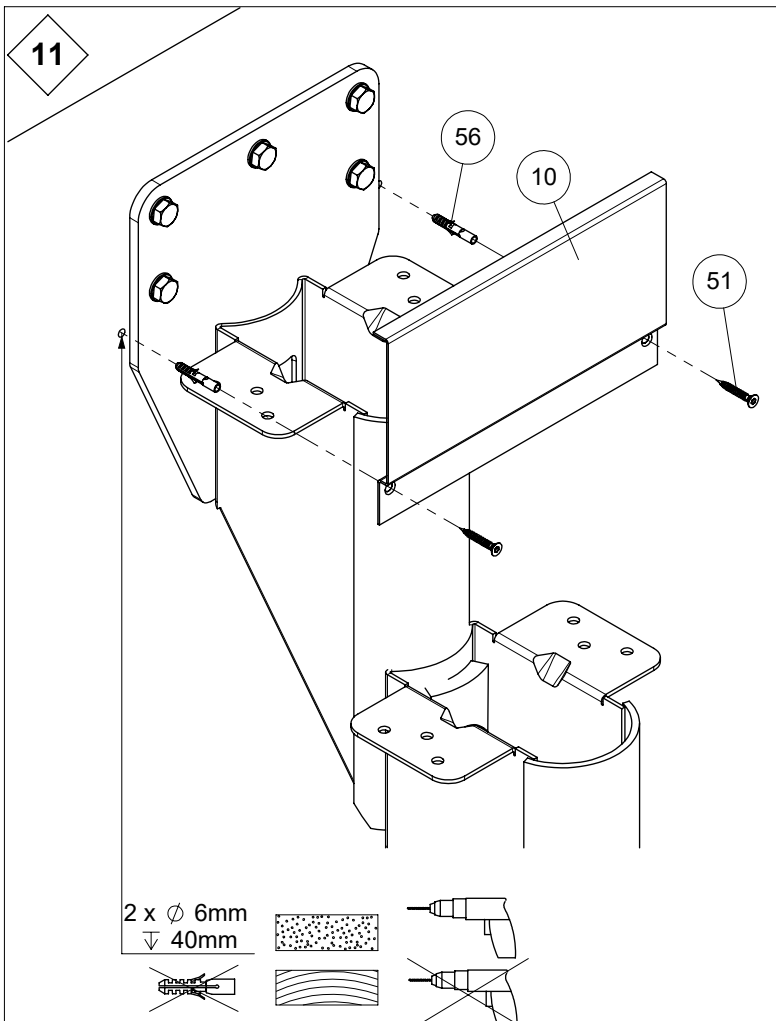
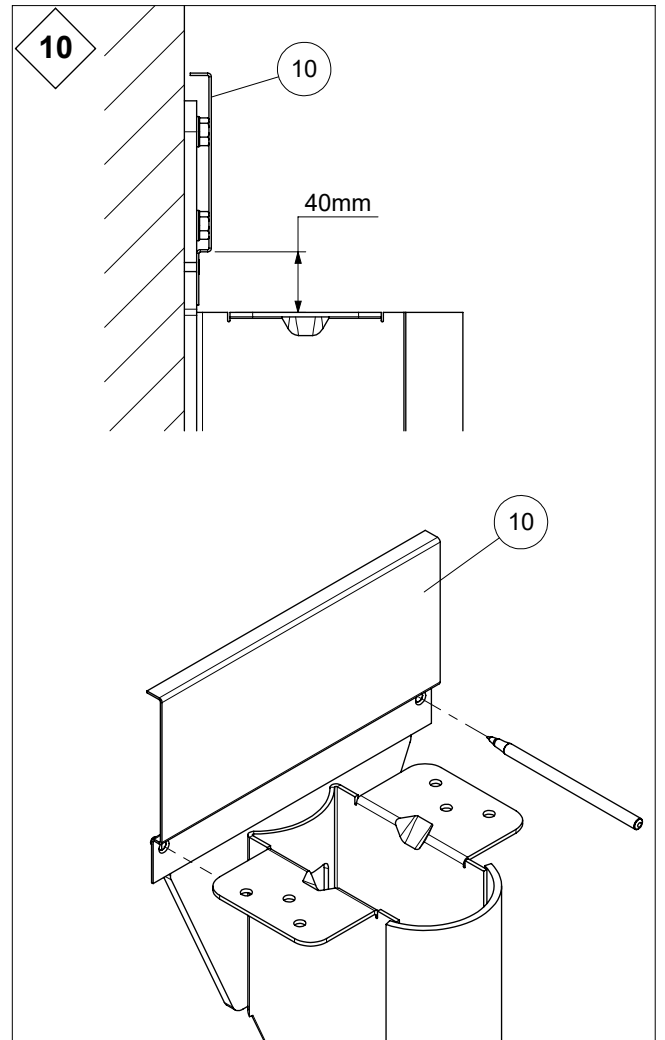
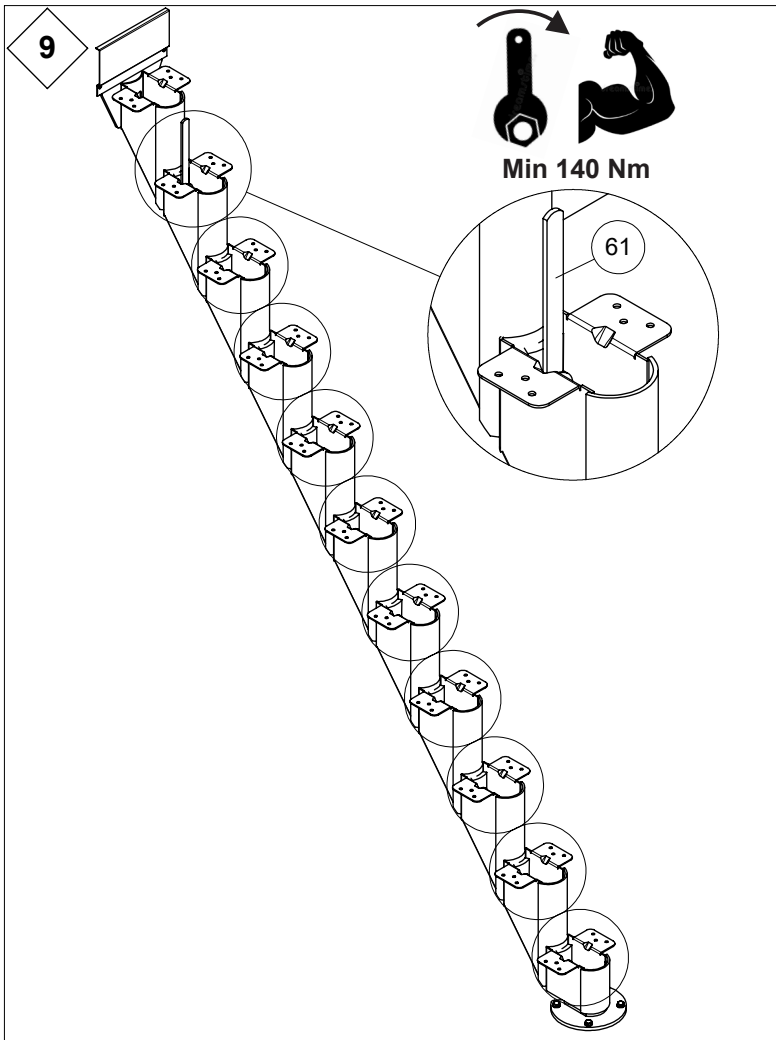


7

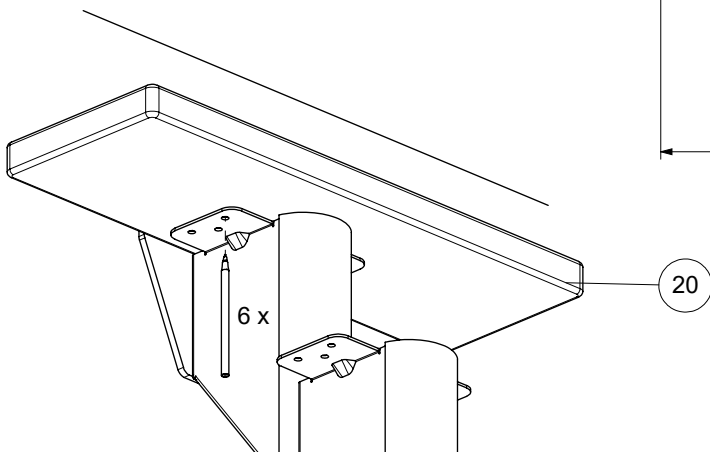
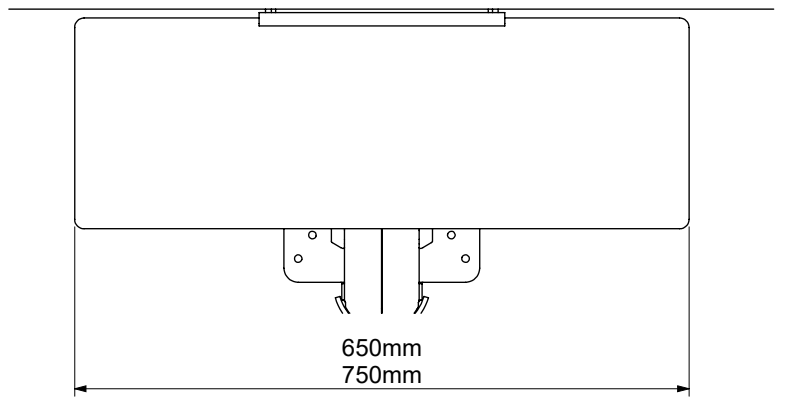
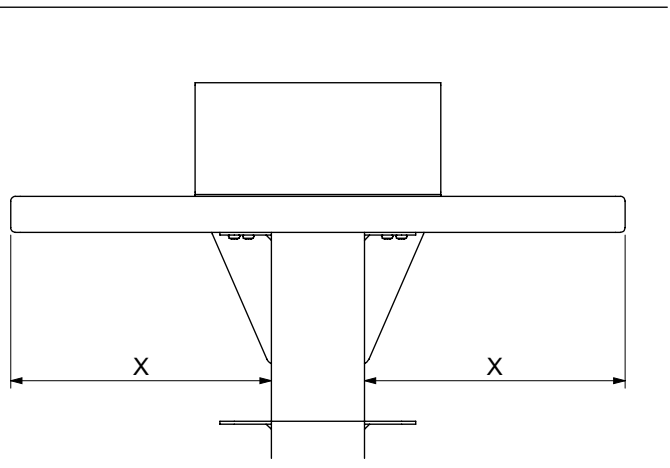
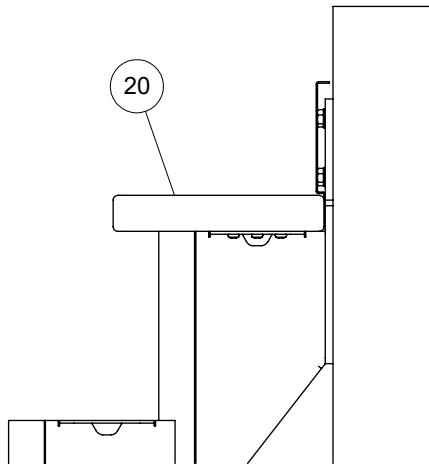


8

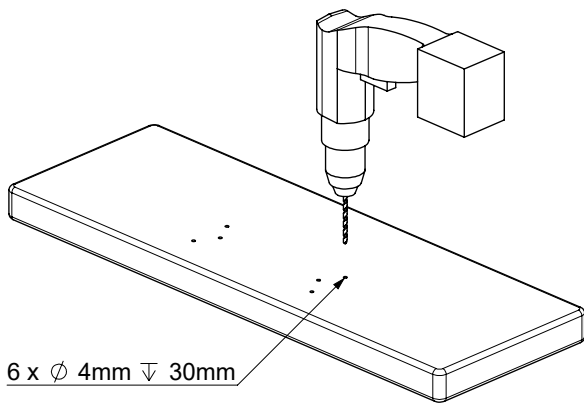




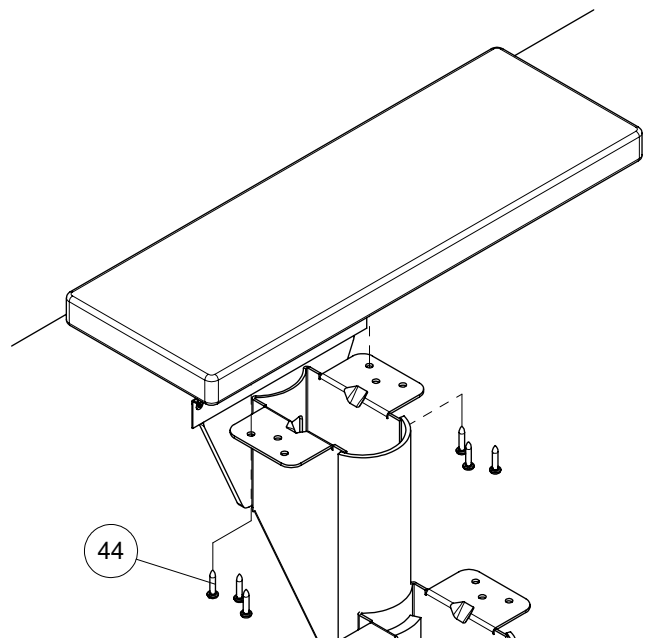
13



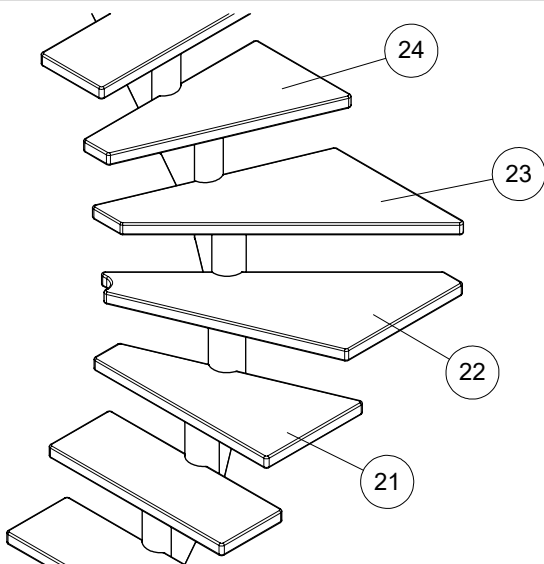
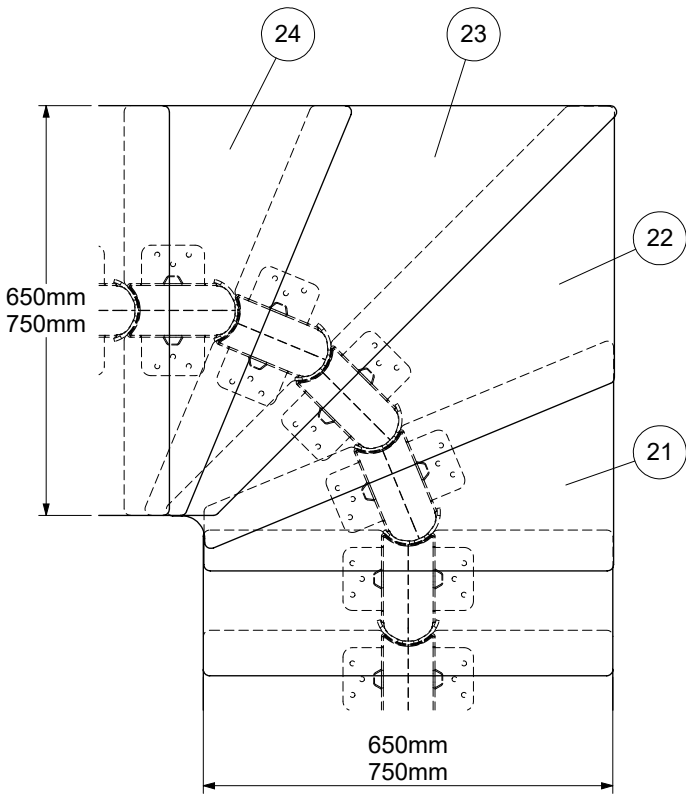
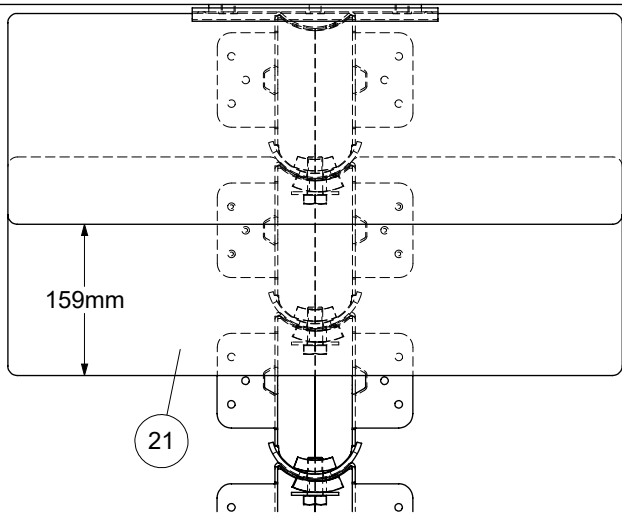
14



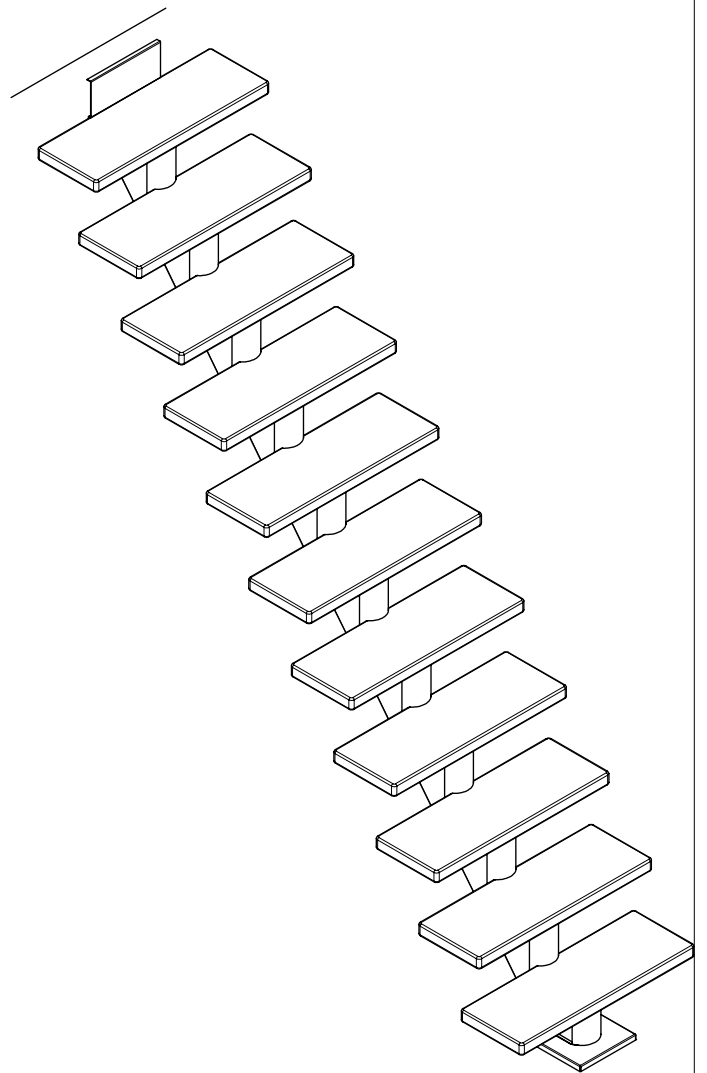
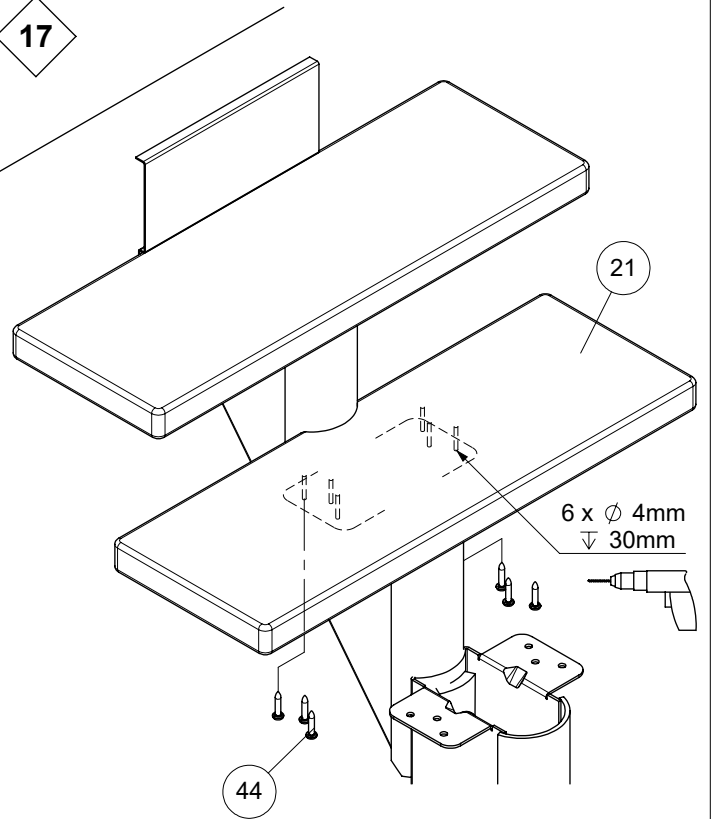
15



16



17

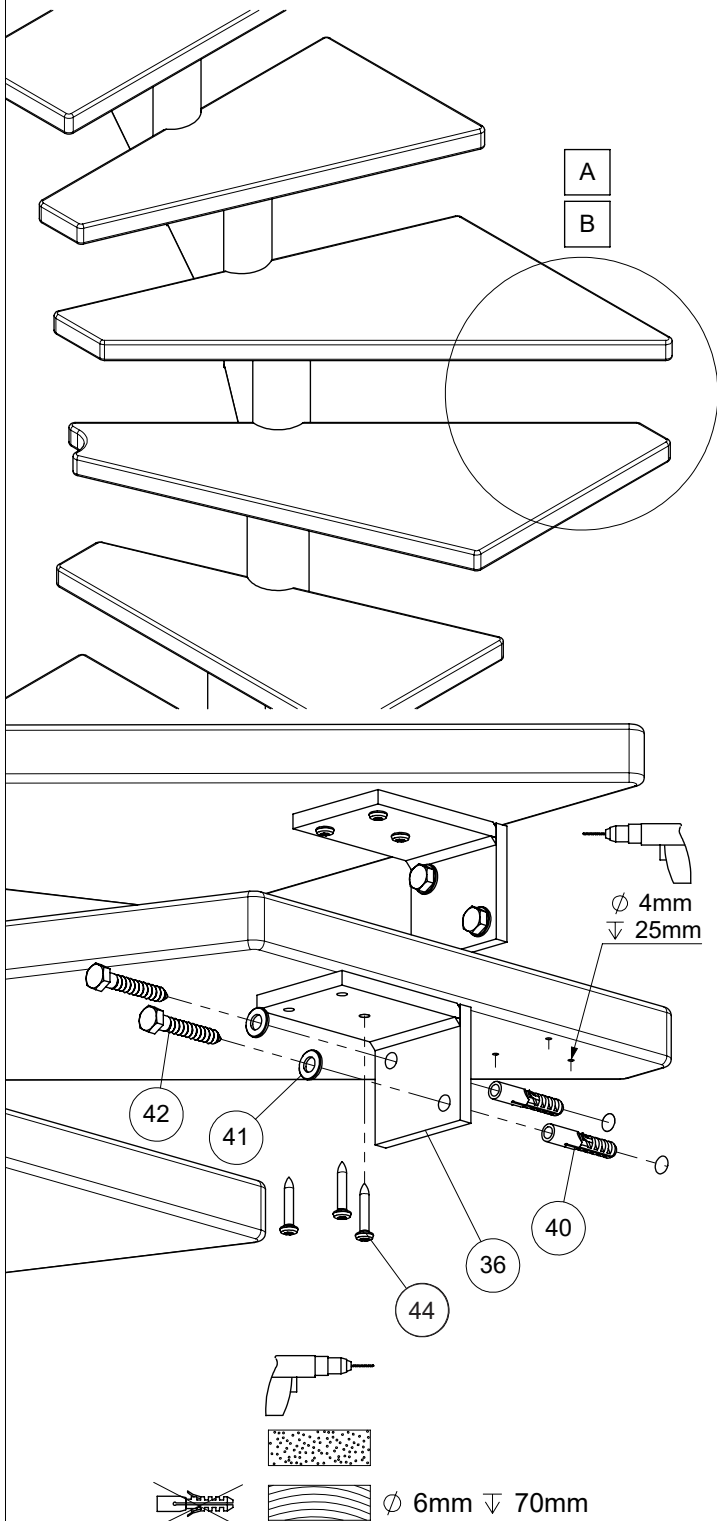


18

I Mounting of wallbrackets is optional
Die Montage von Wandhalterungen ist optional
Montage van muurbeugels is optioneel
Le montage de supports muraux est facultatif
Montering af vægbeslag er valgfri

L 2 wall brackets in position A or B
2 Wandhalterungen in der Position A oder B
2 muurbeugels in positie A of B
2 supports mural dans la position A ou B
2 vægbeslag i position A eller B

U 4 wall brackets in position A or B
4 Wandhalterungen in der Position A oder B
4 muurbeugels in positie A of B
4 supports mural dans la position A ou B
4 vægbeslag i position A eller B



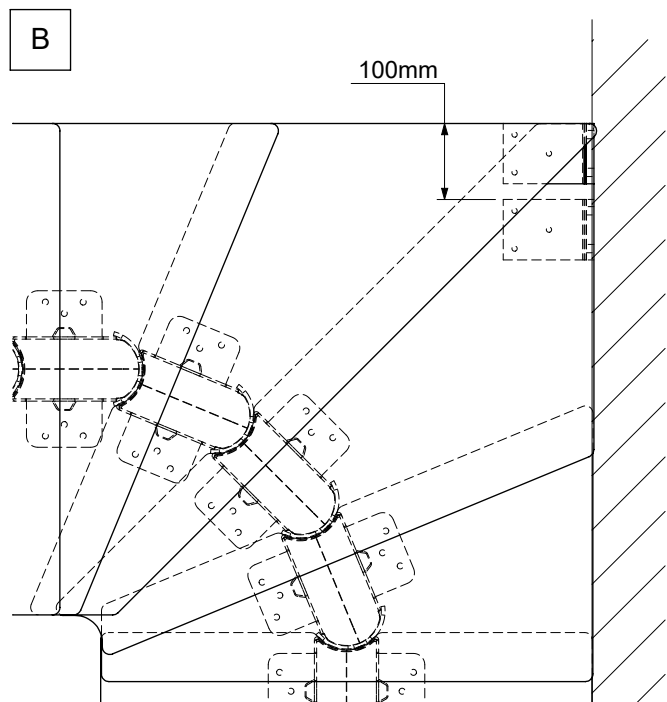
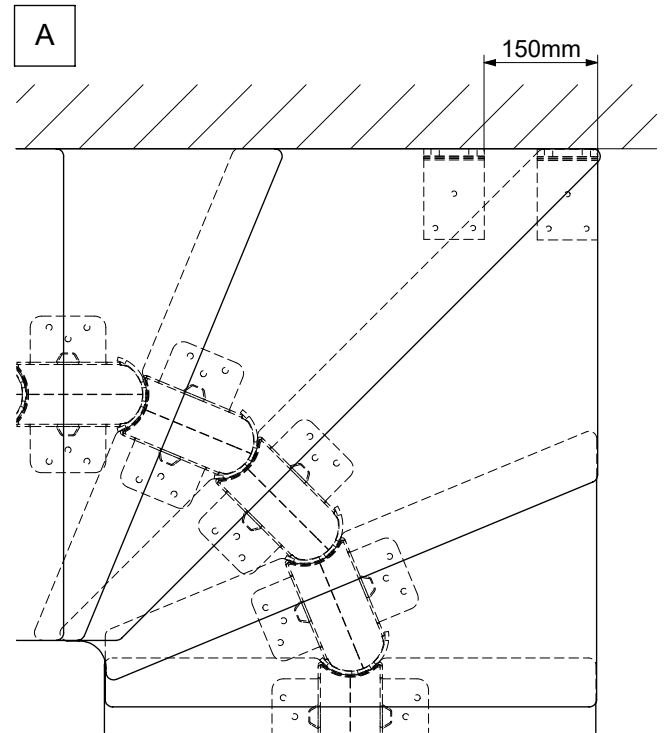
2 wall brackets must be mounted on a 1/4 turn or 4 on a 1/2 turn staircase.

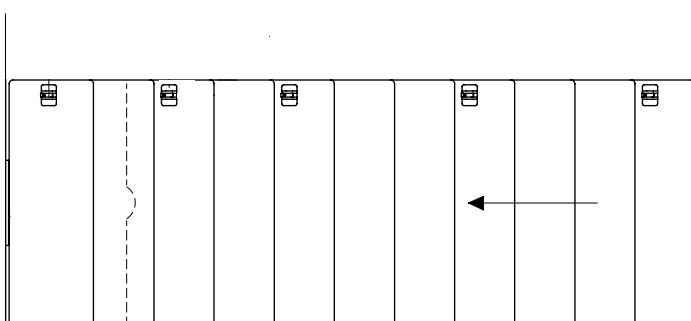
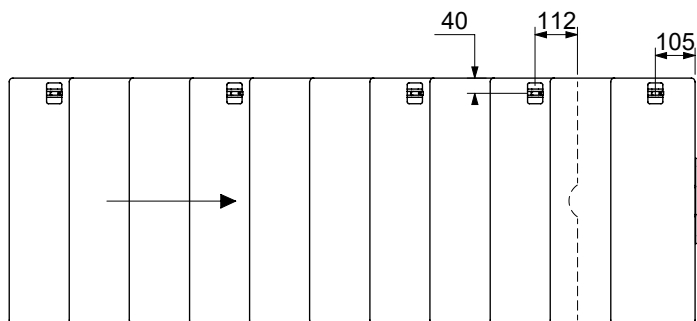
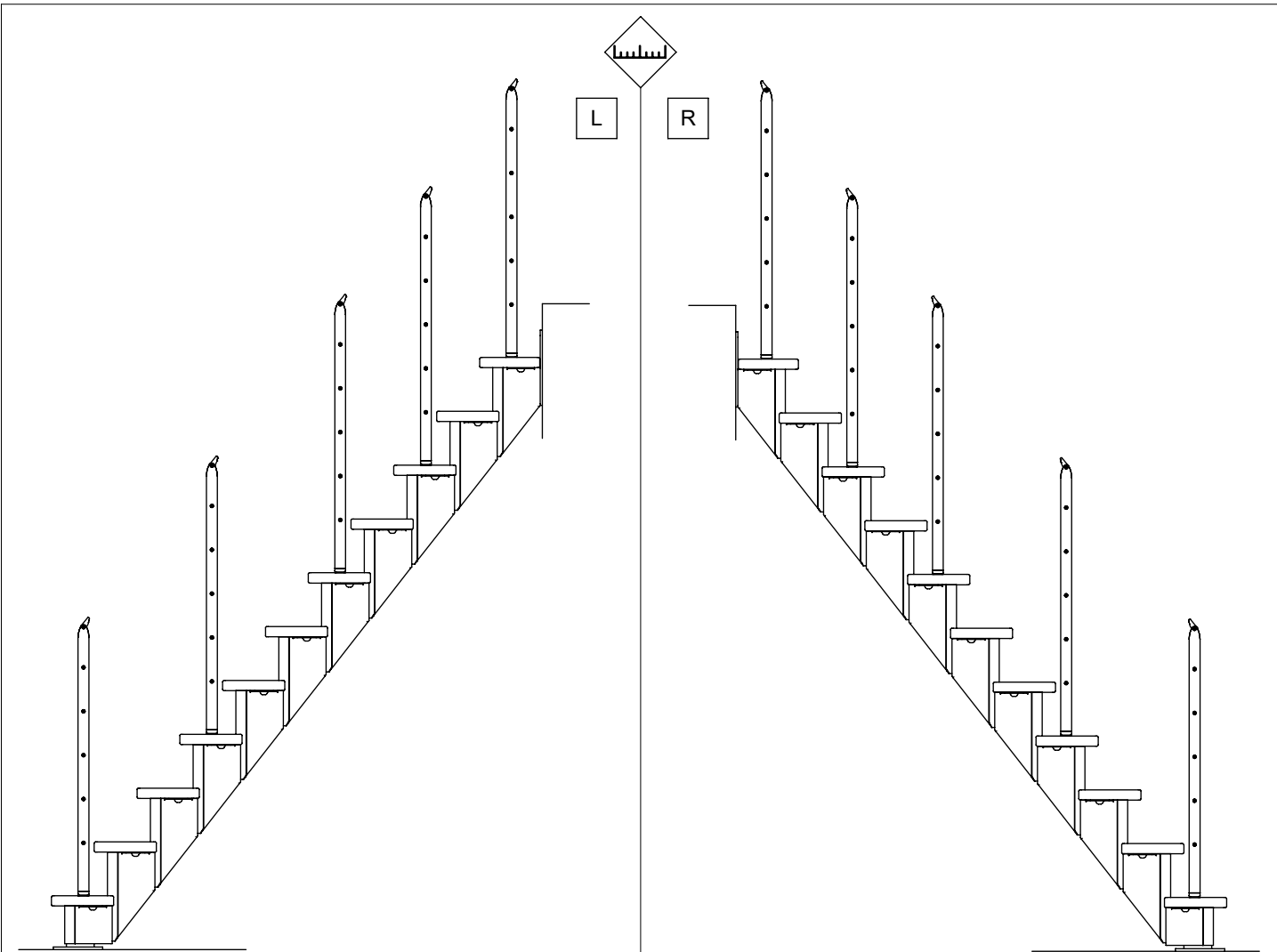
2 Wandhalterungen müssen auf einer 1/4-gewendelten oder 4 auf einer 1/2-gewendelten Treppe montiert werden.

2 muurbeugels moeten gemonteerd worden op een 1/4 draai of 4 op een 1/2 draai trap.

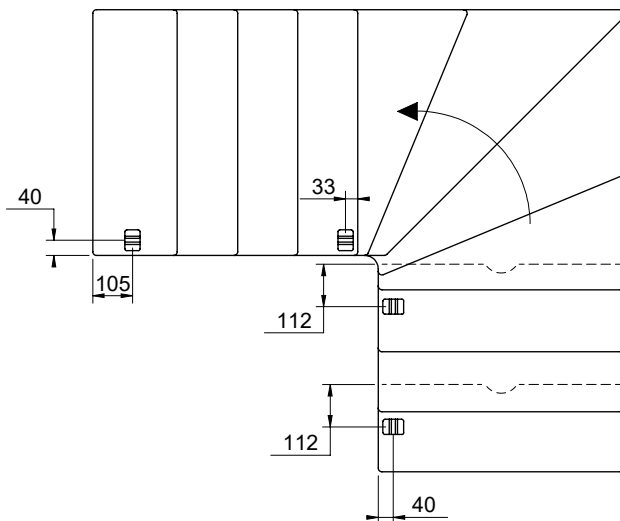
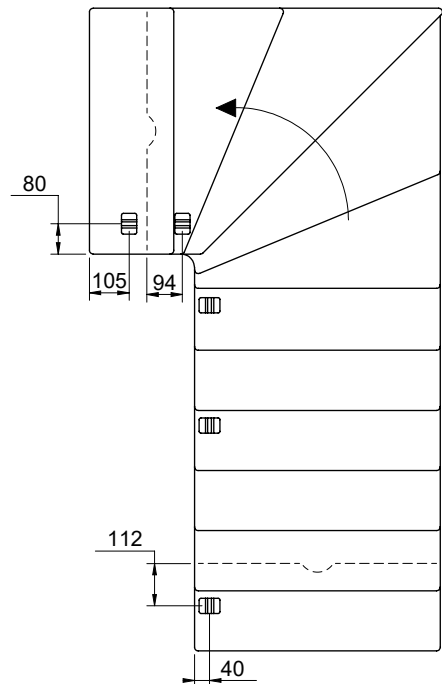
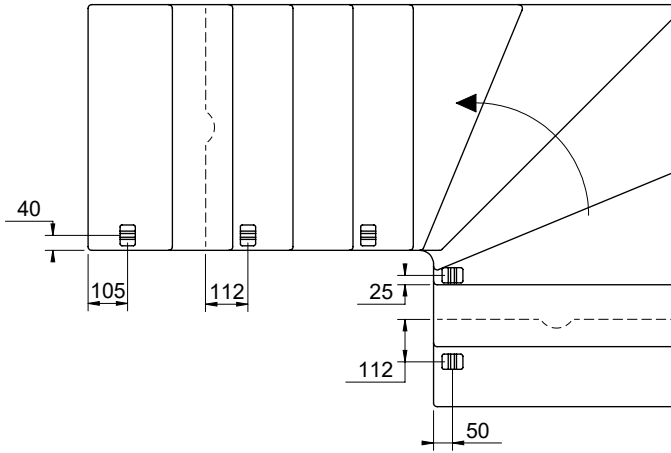
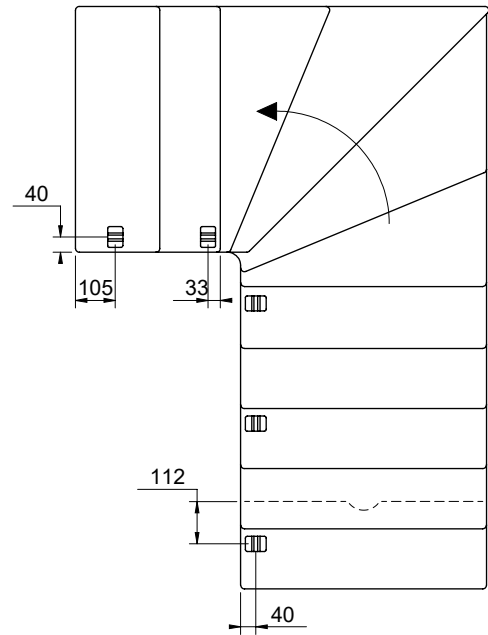
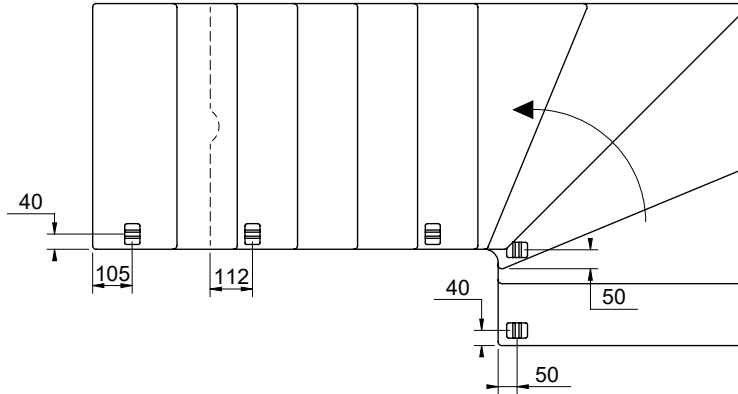
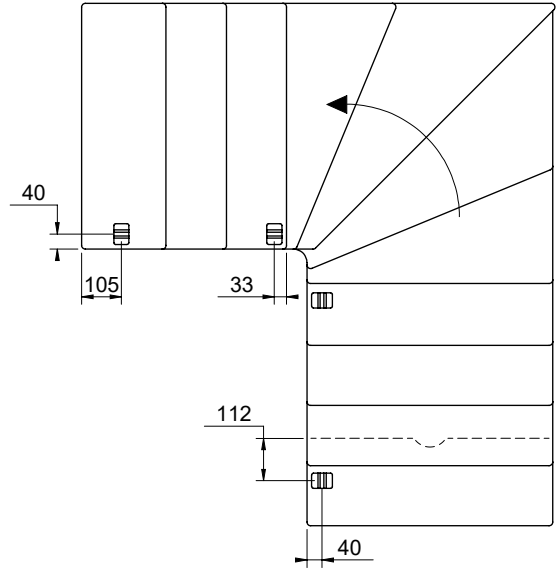
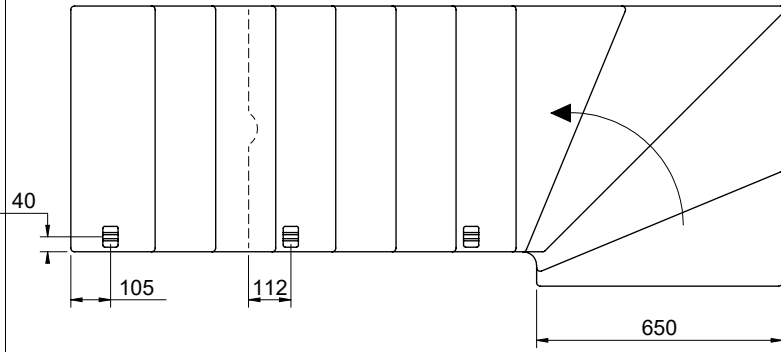
2 supports mural doivent être monté sur un escalier 1/4 ou 4 sur un escalier 1/2 tournant.

2 vægvinkler er påkrævet i en 1/4-svings- eller 4 i en 1/2-svings-trappe.

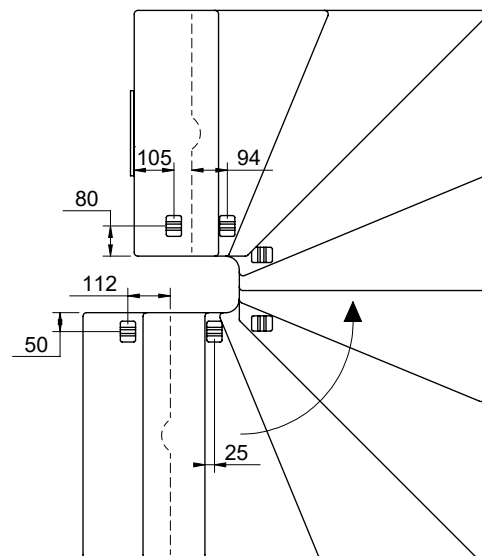
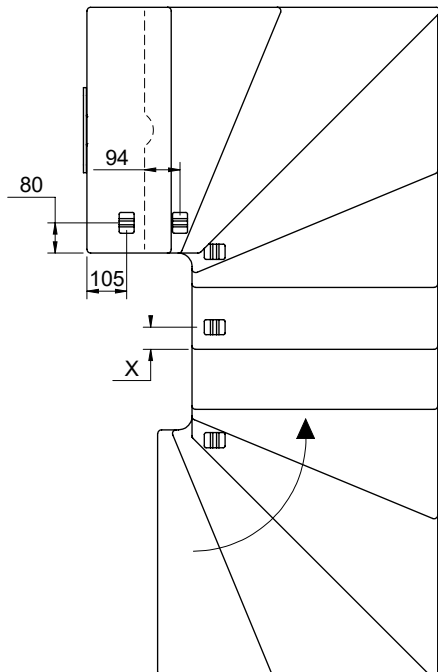
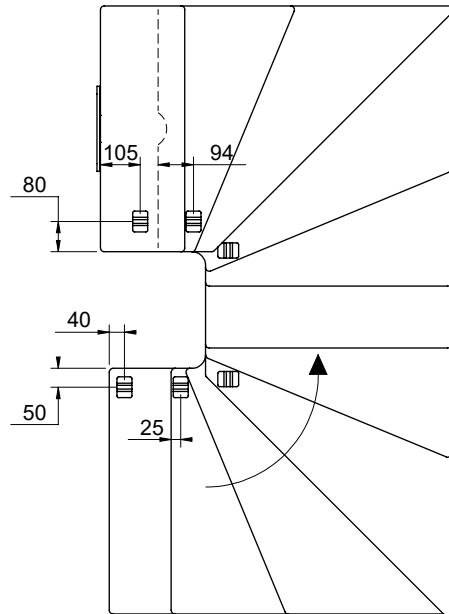
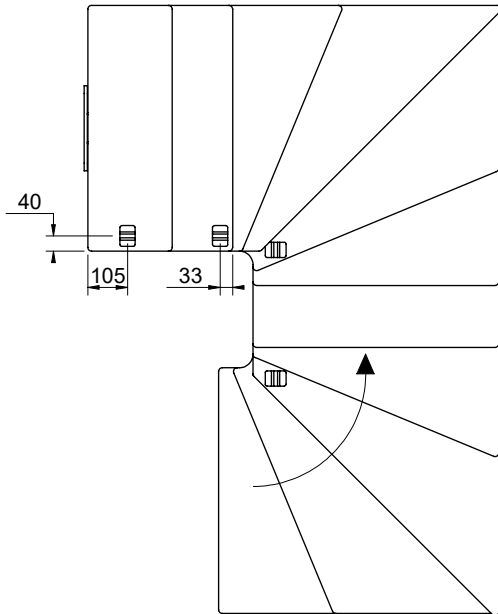
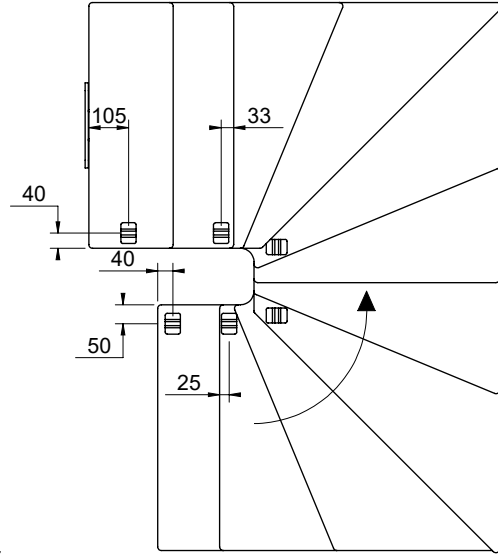
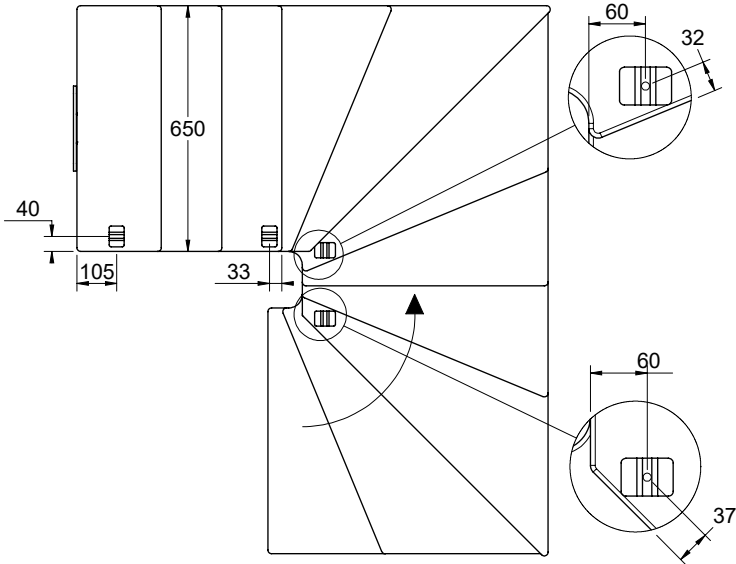




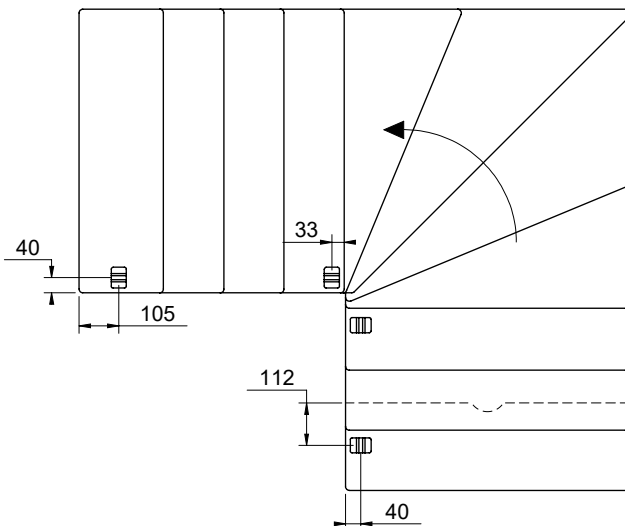
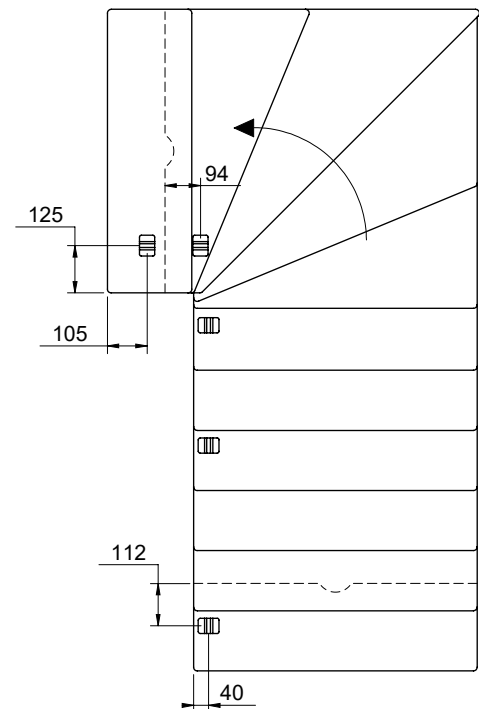
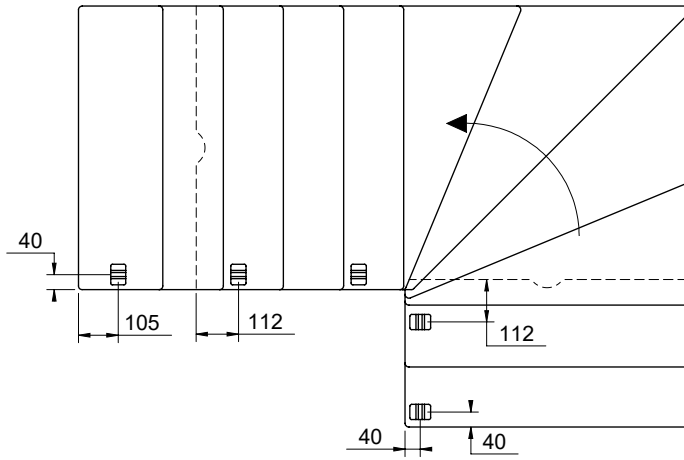
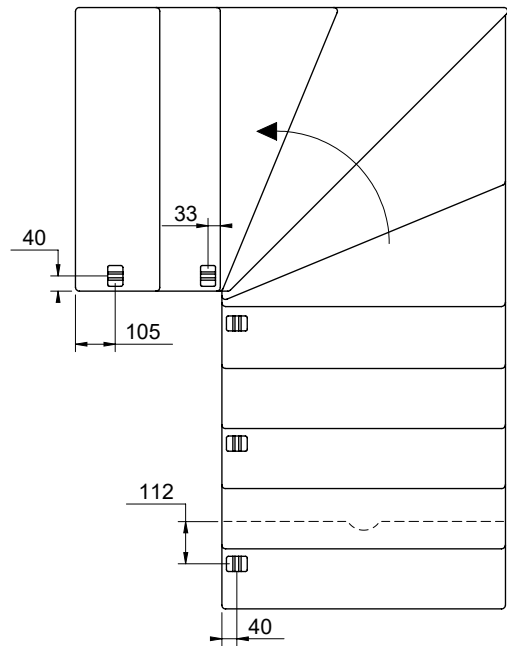
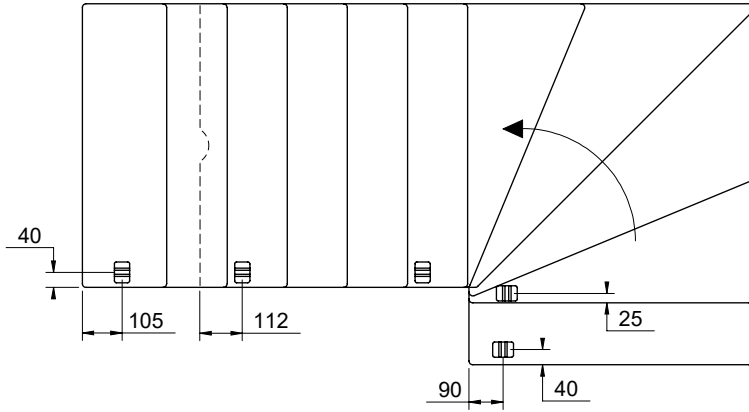
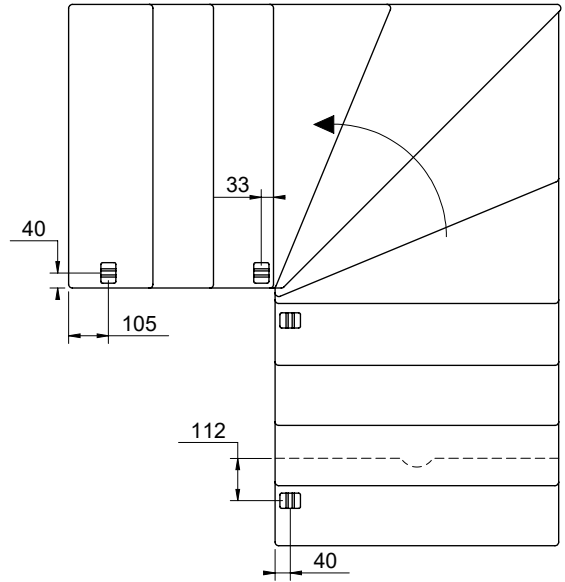
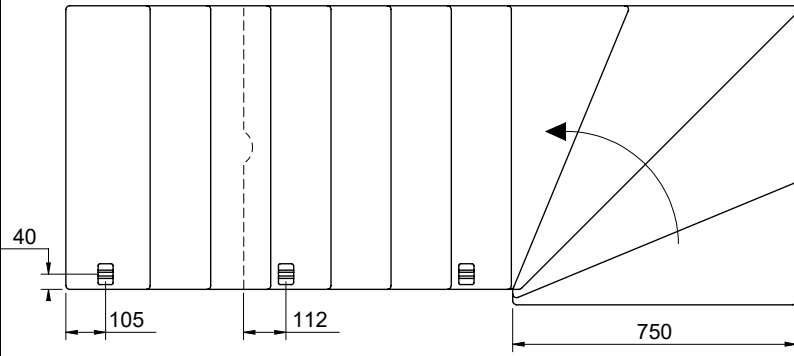
L 650mm



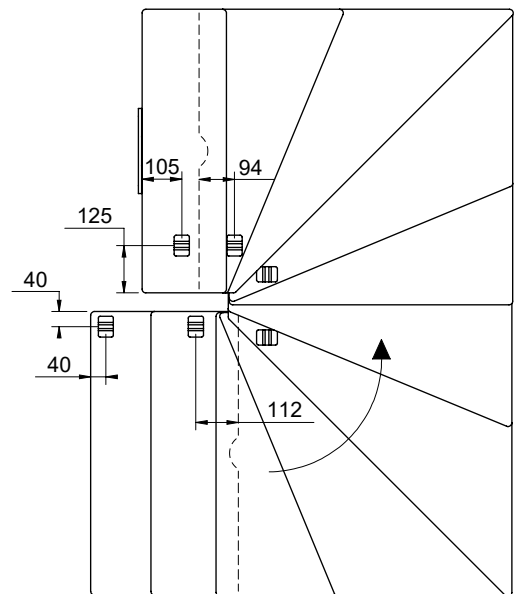
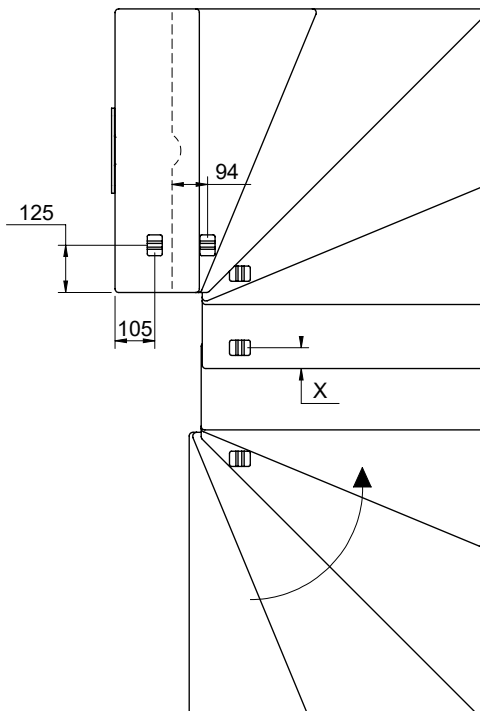
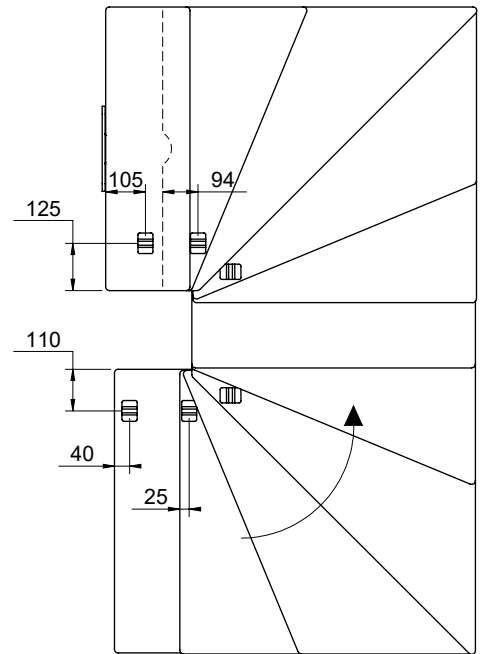
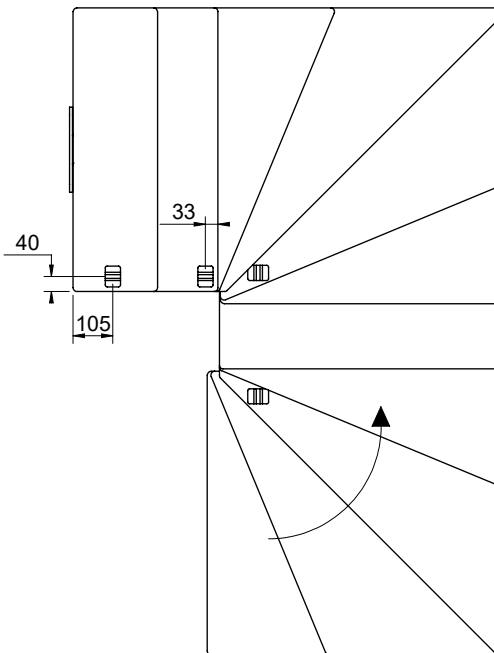
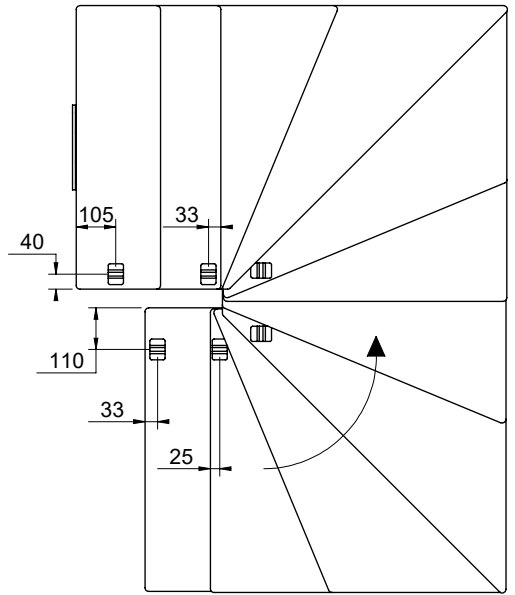
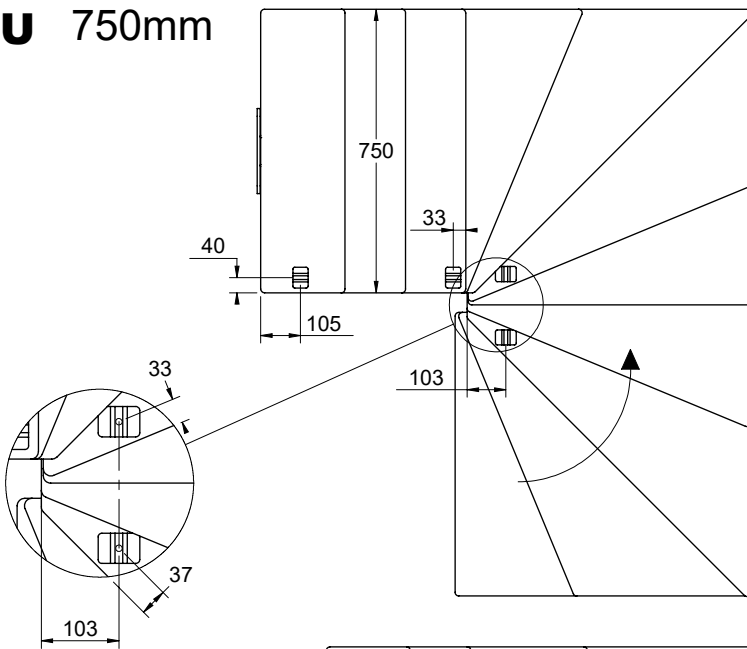
U 650mm



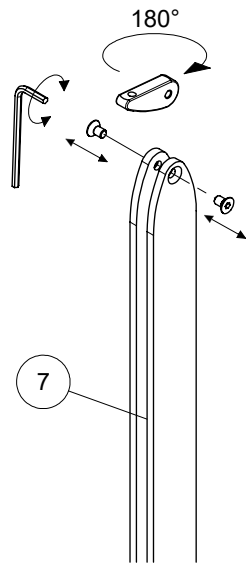
L 750mm



U 750mm

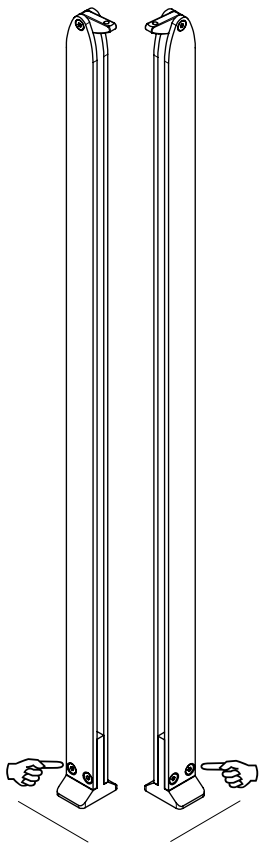


19a

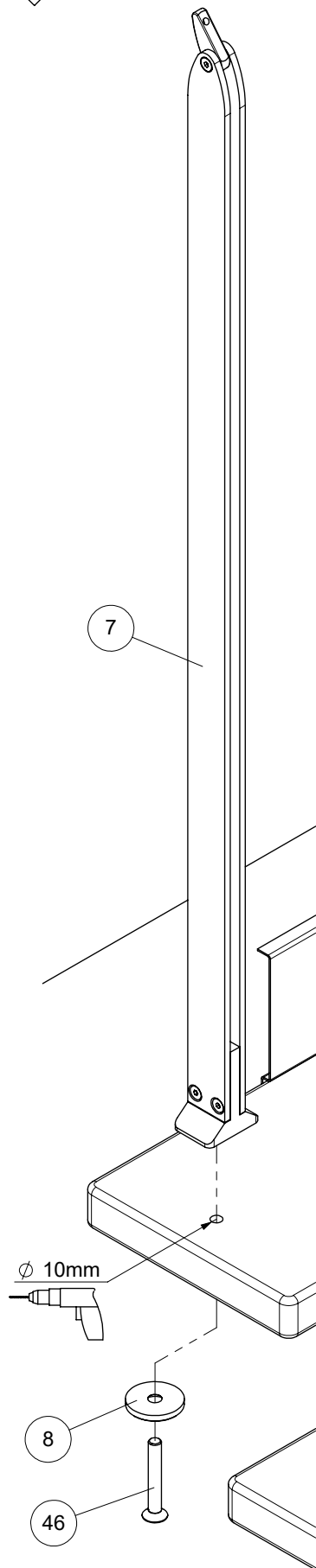


R

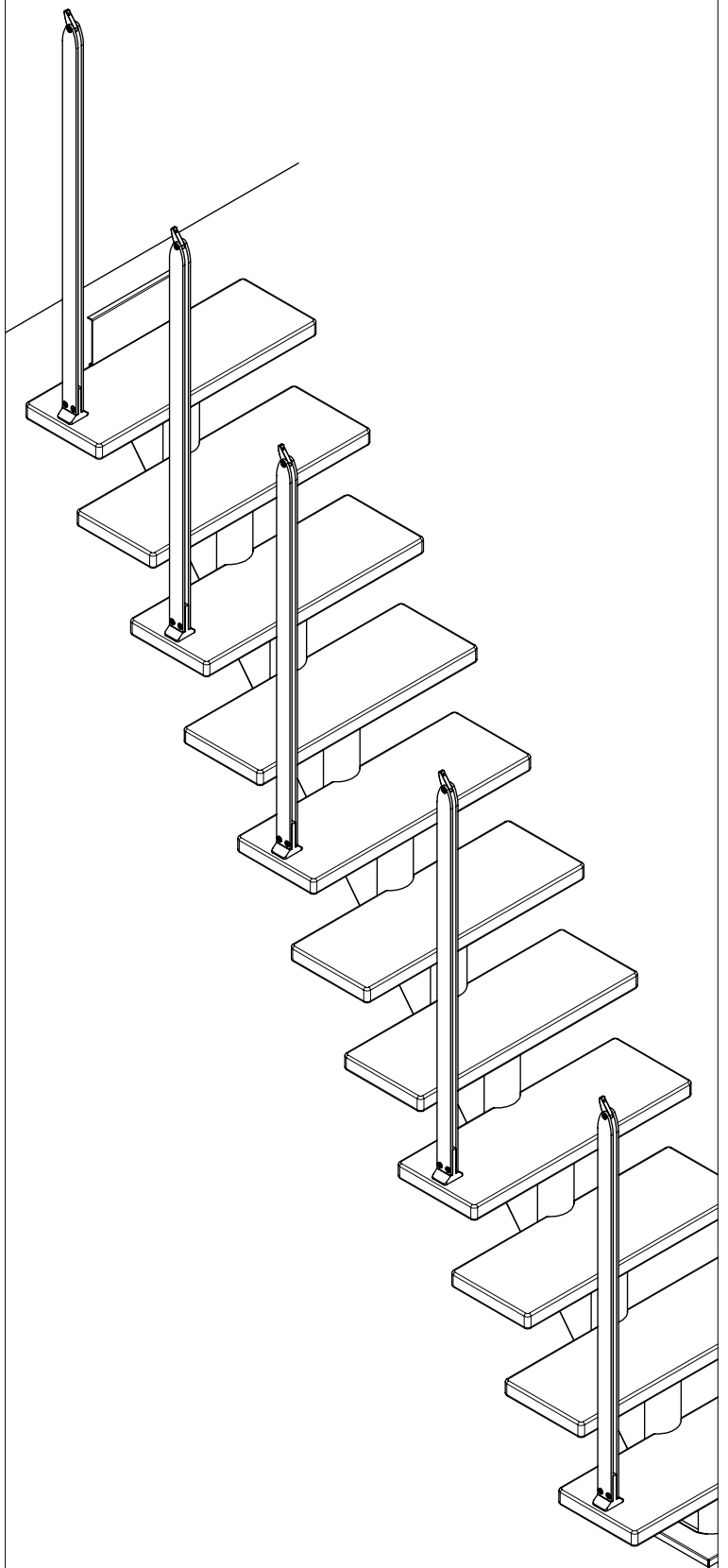
L



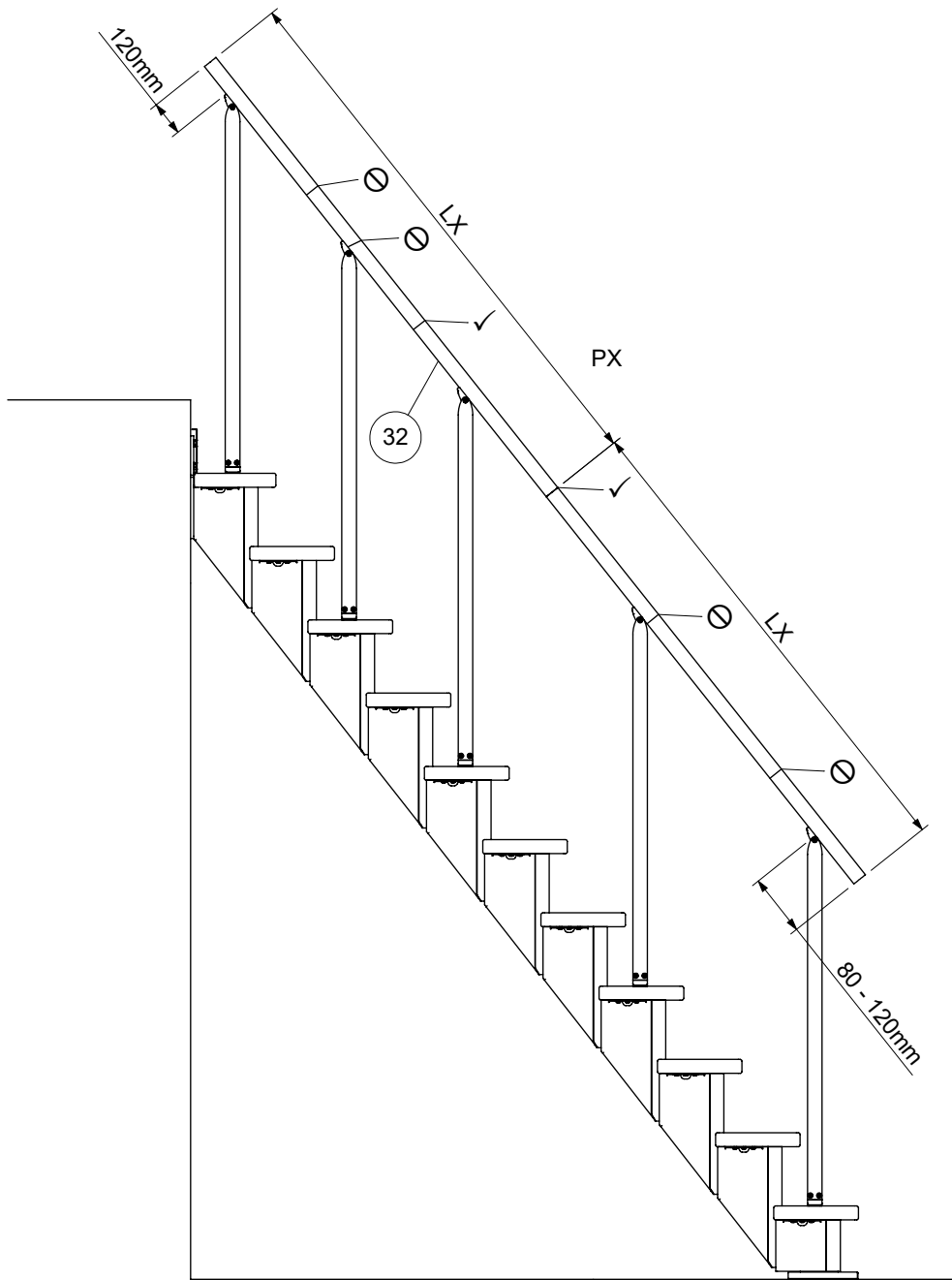
19b



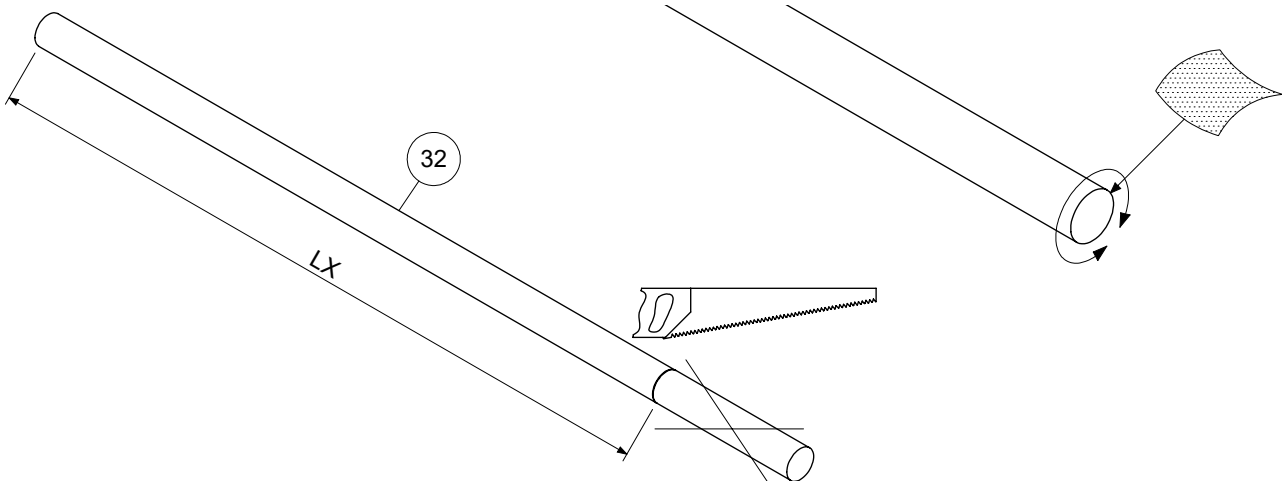
19c

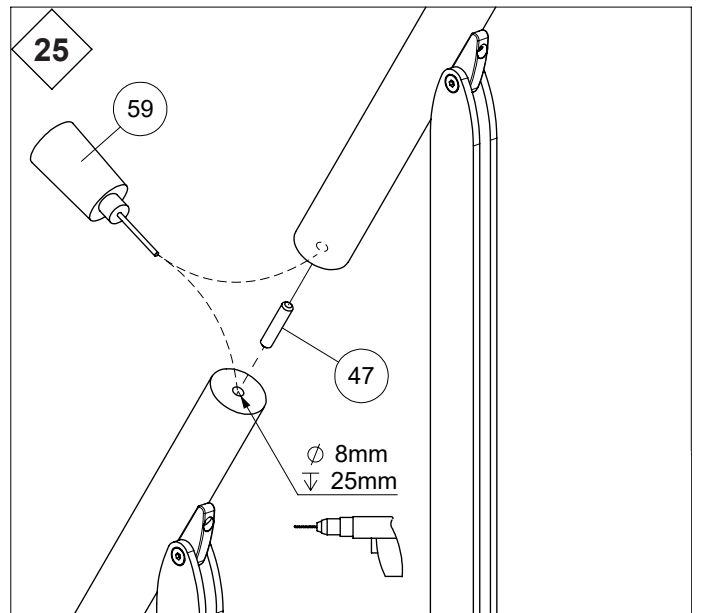
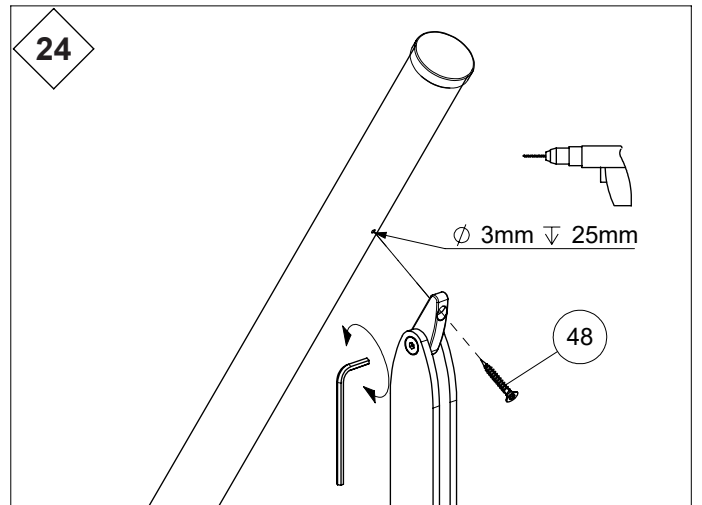
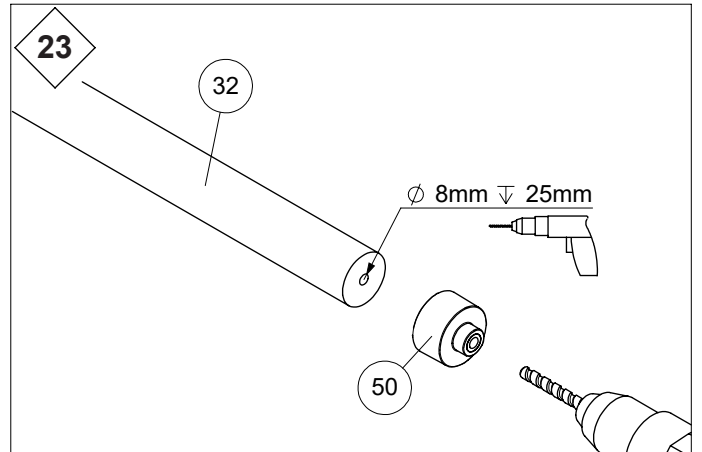
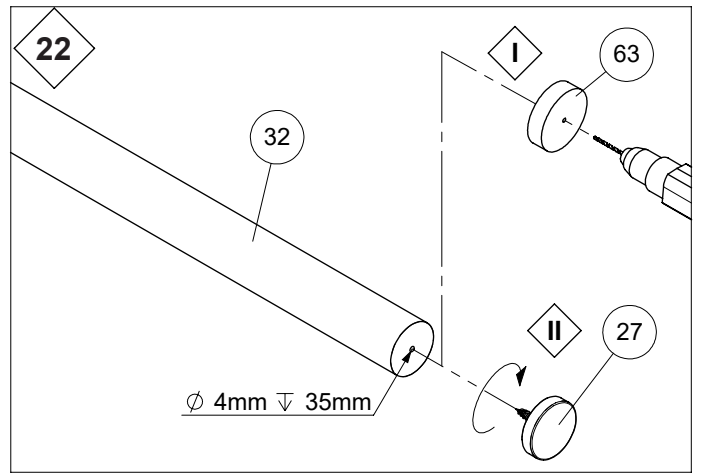
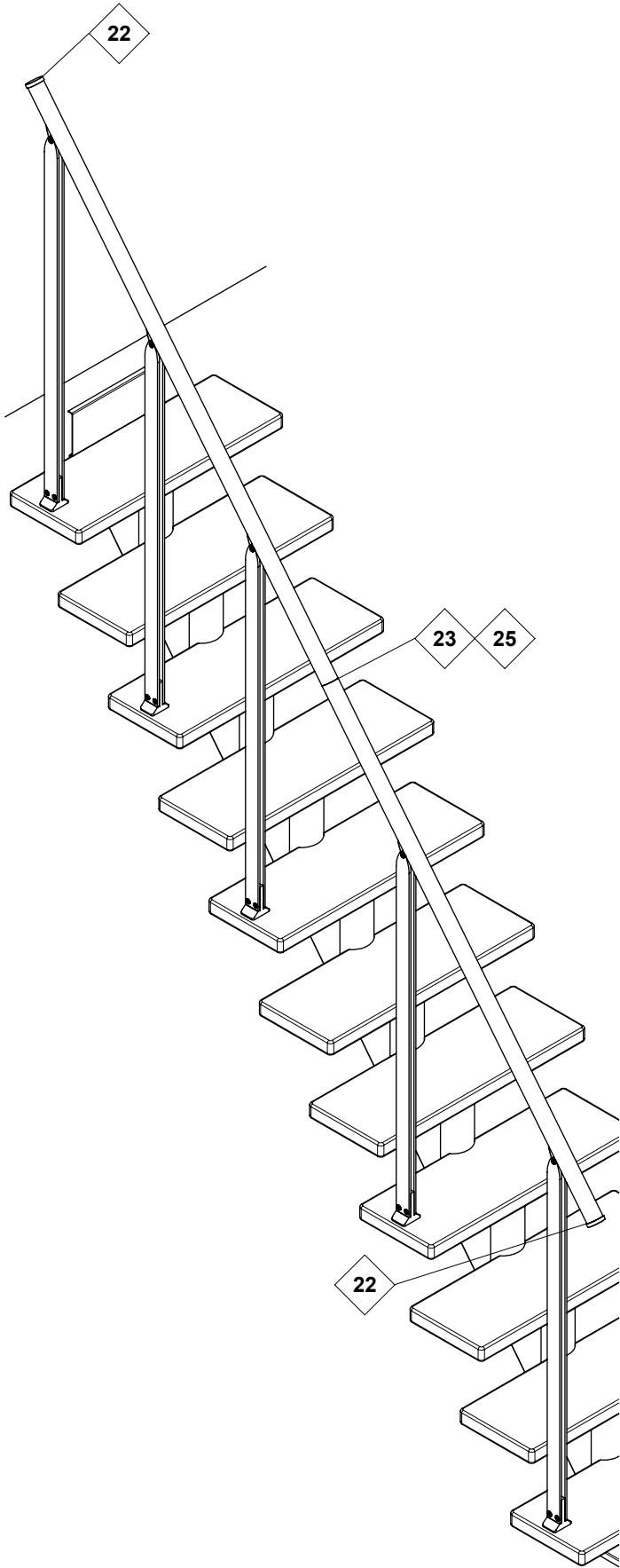


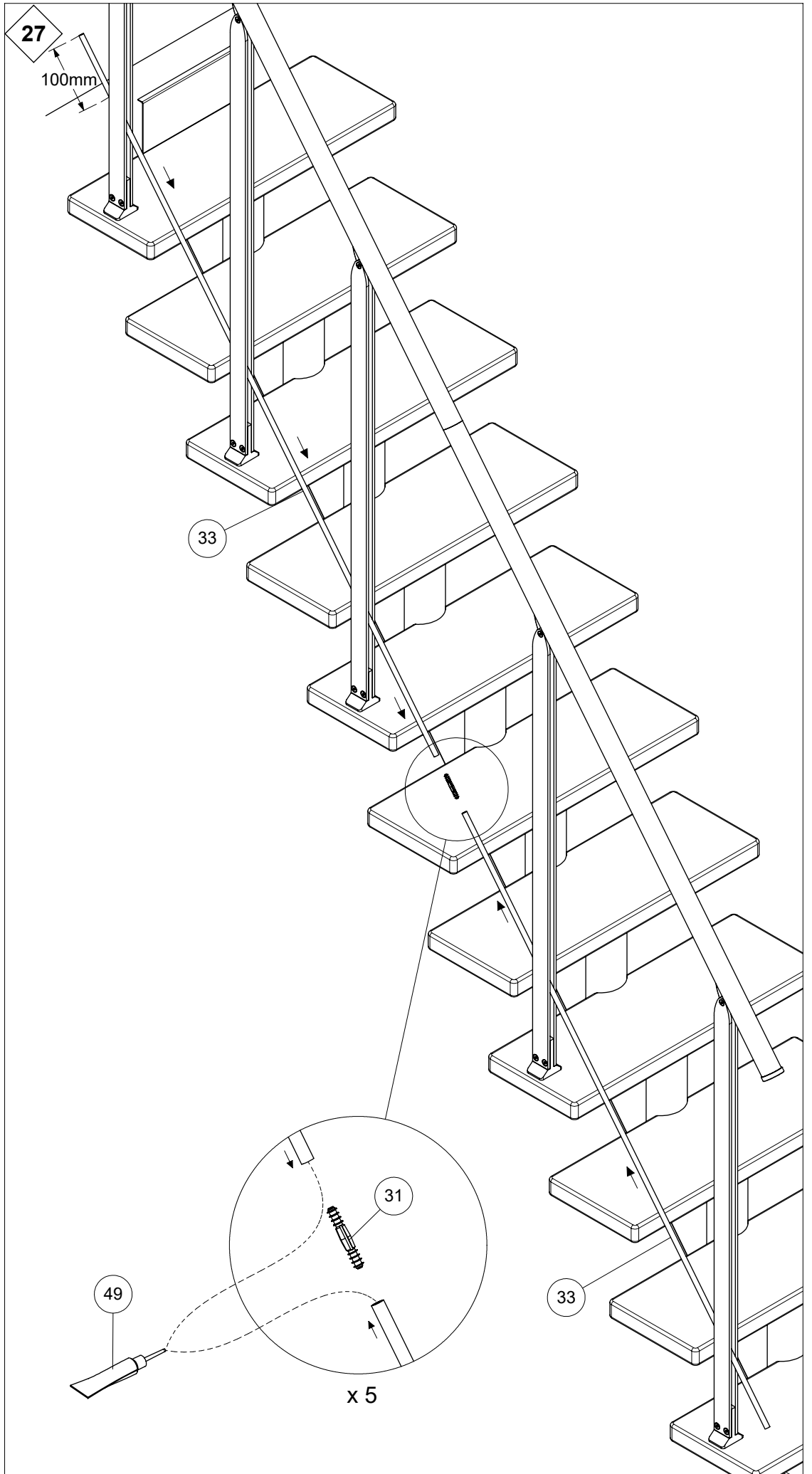
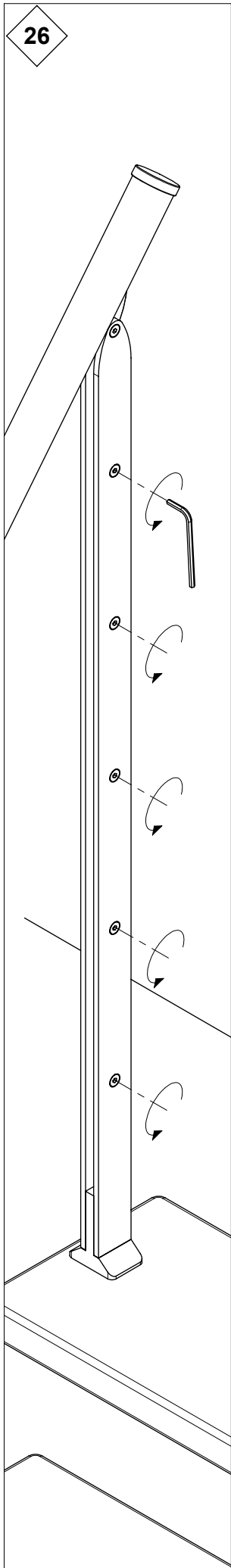
20



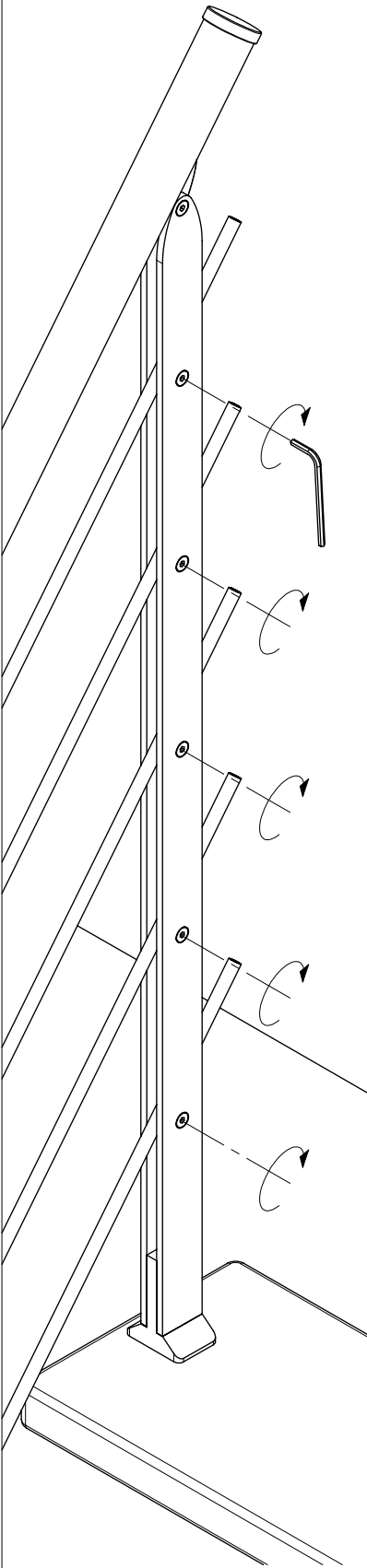
21



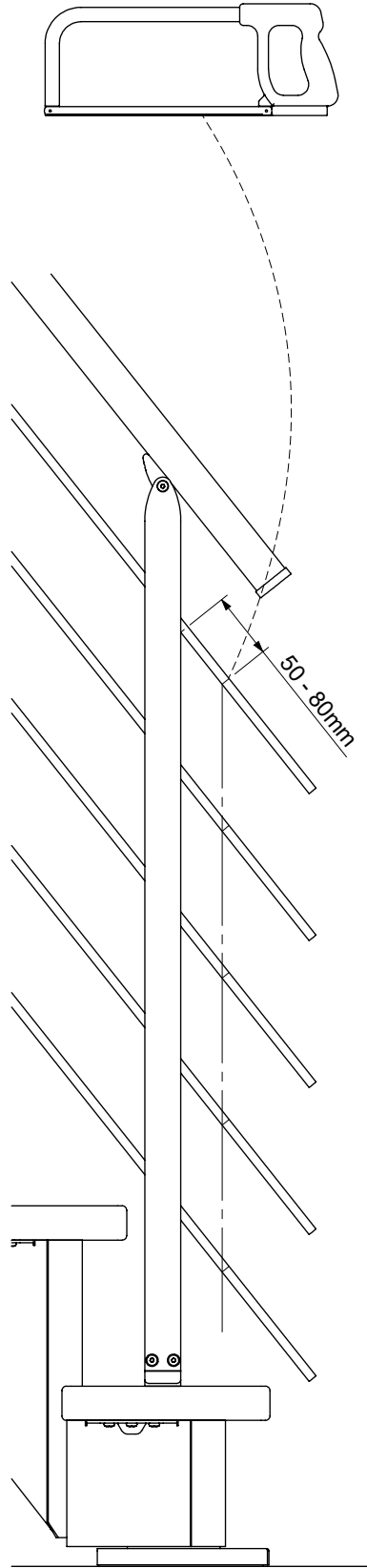




28



29



30

