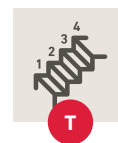
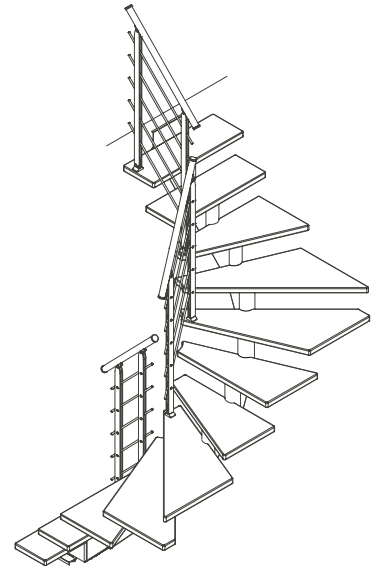
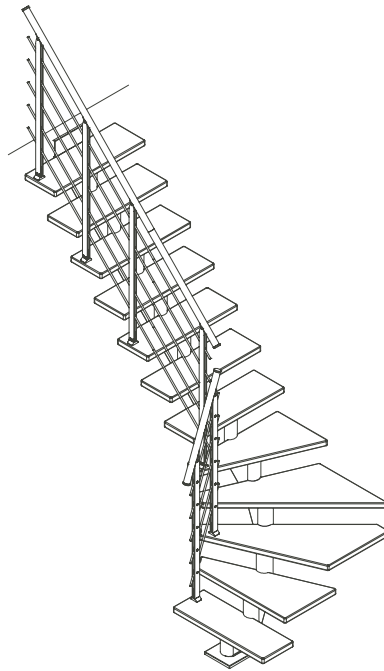
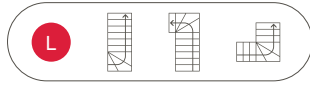
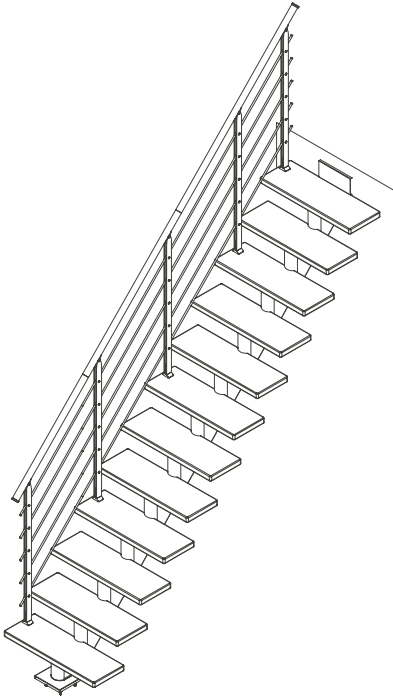
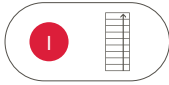


**DESIGN BANISTER**

# HAMBURG

**INSTRUCTION / MONTAGEANLEITUNG  
INSTRUKTION / INSTRUCCION / INSTRUKCJA**



|  |                                            |                    |                            |
|--|--------------------------------------------|--------------------|----------------------------|
|  | Height floor-to-floor                      | Rise height        | Number of treads           |
|  | Geschosshöhe                               | Steigungshöhe      | Anzahl Stufen              |
|  | Hauteur sol-sol                            | Hauteur de marche  | Nombre de marches          |
|  | Altura de suelo/suelo                      | Altura de peldaños | Numero de peldaños         |
|  | Altura do chão / chão                      | Altura do degrau   | Número de etapas (degraus) |
|  | Hoogte vloer/vloer                         | Hoogte trede       | Aantal treden              |
|  | Etagehøjde                                 | Stigningshøjde     | Antal trin                 |
|  | Golv till golv höjd                        | Stigningshöjd      | Antal steg                 |
|  | Wysokość kondygnacji od podłogi do podłogi | Wysokość stopnia   | Ilość stopni               |
|  | Înălțime sol-sol                           | Înălțime treaptă   | Număr trepte               |
|  | Výška patra podlaha-podlaha                | Výška schodu       | Počet nášlapů              |
|  | Высота от пола до пола                     | Шаг ступени        | Кол-во ступеней            |
|  | Aukšto aukštis                             | Pakopos aukštis    | Pakopų kiekis              |
|  | Stāva augstums                             | Pakāpiena augstums | Pakāpienu skaits           |
|  | Korruse kõrgus                             | Astme kõrgus       | Astmete arv                |
|  | Višina nadstropja                          | Višina stopnice    | Število stopnic            |
|  | Visina kata                                | Visina stepenice   | Broj stepenica             |
|  | Výška podlažia                             | Výška stupňa       | Počet stupňov              |

**1**

x 1  
K2-1077500 RAL 7016  
K2-1077501 RAL 9005  
K2-1077502 Pearl grey  
K2-1077503 RAL 9016

**2**

|   |    |    |    |    |
|---|----|----|----|----|
|   | 11 | 12 | 13 | 14 |
| x | 9  | 10 | 11 | 12 |

K2-1077505 RAL 7016  
K2-1077506 RAL 9005  
K2-1077507 Pearl grey  
K2-1077508 RAL 9016

**3**

x 1  
K2-1077510 RAL 7016  
K2-1077511 RAL 9005  
K2-1077512 Pearl grey  
K2-1077513 RAL 9016

**4**

x 1  
K2-1077440 RAL 7016  
K2-1077441 RAL 9005  
K2-1077442 Pearl grey  
K2-1077443 RAL 9016

**5**

|   |    |    |    |    |
|---|----|----|----|----|
|   | 11 | 12 | 13 | 14 |
| x | 10 | 11 | 12 | 13 |

H2-20505

**6**

|   |    |    |    |    |
|---|----|----|----|----|
|   | 11 | 12 | 13 | 14 |
| x | 10 | 11 | 12 | 13 |

H2-20506

**7**

**8**

|   |     |    |    |    |
|---|-----|----|----|----|
|   | 11  | 12 | 13 | 14 |
| x | I 5 | 5  | 5  | 6  |
|   | L 5 | 6  | 6  | 6  |
|   | U 6 | 6  | 7  | 7  |

K1-1077203

**10**

x 1  
K1-1077070 RAL 7016  
K1-1077071 RAL 9005  
K1-1077072 Pearl grey  
K1-1077073 RAL 9016

**11**

x 1  
K1-1077400 RAL 7016  
K1-1077401 RAL 9005  
K1-1077402 Pearl grey  
K1-1077403 RAL 9016

**20**

x 1  
M2-1078400 Beech / Buche / Beuken / Hêtre / Bøg  
M2-1078310 Oak / Eiche / Bijv / Chêne / Eg  
M2-1078320 Oak white / Eiche weiß / Bijv wt / Chêne blanc / Eg hvid

**21**

x 1  
M2-1078401 Beech / Buche / Beuken / Hêtre / Bøg  
M2-1078302 Oak / Eiche / Bijv / Chêne / Eg  
M2-1078303 Oak white / Eiche weiß / Bijv wt / Chêne blanc / Eg hvid

|   |     |    |    |    |
|---|-----|----|----|----|
|   | 11  | 12 | 13 | 14 |
| x | I 5 | 5  | 6  | 6  |
|   | L 5 | 6  | 6  | 6  |
|   | U 6 | 6  | 7  | 7  |

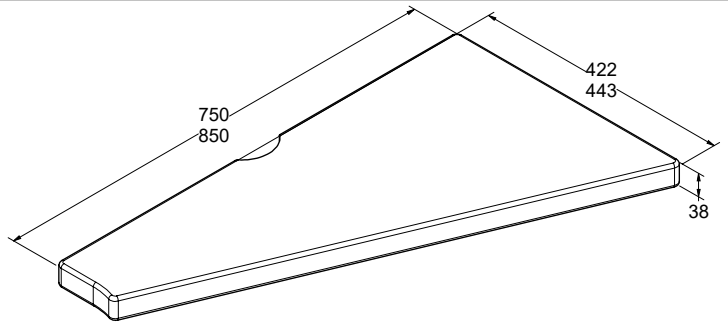
K2-1077710 RAL 7016  
K2-1077711 RAL 9005  
K2-1077712 Pearl grey  
K2-1077713 RAL 9016

|   |      |    |    |    |
|---|------|----|----|----|
|   | 11   | 12 | 13 | 14 |
| x | I 10 | 11 | 12 | 13 |
|   | L 6  | 7  | 8  | 9  |
|   | U 2  | 3  | 4  | 5  |

25

|   |   |   |
|---|---|---|
| x | I | 0 |
|   | L | 1 |
|   | U | 2 |

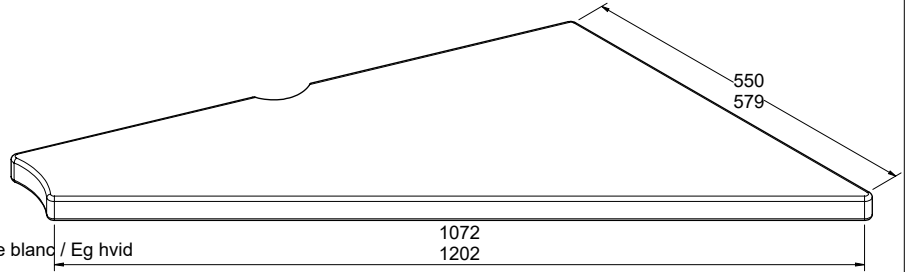
- M2-1078409 750 mm Beech / Buche / Beuk / Hêtre / Bøg
- M2-1078419 750 mm Oak / Eiche / Eik / Chêne / Eg
- M2-1078429 750 mm Oak white / Eiche weiss / Eik wit / Chêne blanc / Eg hvid
- M2-1078459 850 mm Beech / Buche / Beuk / Hêtre / Bøg
- M2-1078469 850 mm Oak / Eiche / Eik / Chêne / Eg
- M2-1078479 850 mm Oak white / Eiche weiss / Eik wit / Chêne blanc / Eg hvid



24

|   |   |   |
|---|---|---|
| x | I | 0 |
|   | L | 1 |
|   | U | 2 |

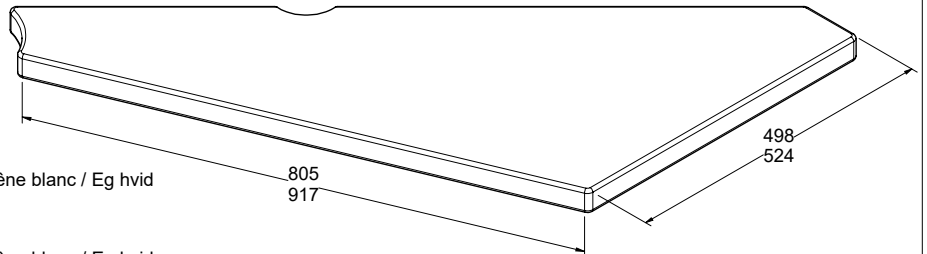
- M2-1078408 750 mm Beech / Buche / Beuk / Hêtre / Bøg
- M2-1078418 750 mm Oak / Eiche / Eik / Chêne / Eg
- M2-1078428 750 mm Oak white / Eiche weiss / Eik wit / Chêne blanc / Eg hvid
- M2-1078458 850 mm Beech / Buche / Beuk / Hêtre / Bøg
- M2-1078468 850 mm Oak / Eiche / Eik / Chêne / Eg
- M2-1078478 850 mm Oak white / Eiche weiss / Eik wit / Chêne blanc / Eg hvid



23

|   |   |   |
|---|---|---|
| x | I | 0 |
|   | L | 1 |
|   | U | 2 |

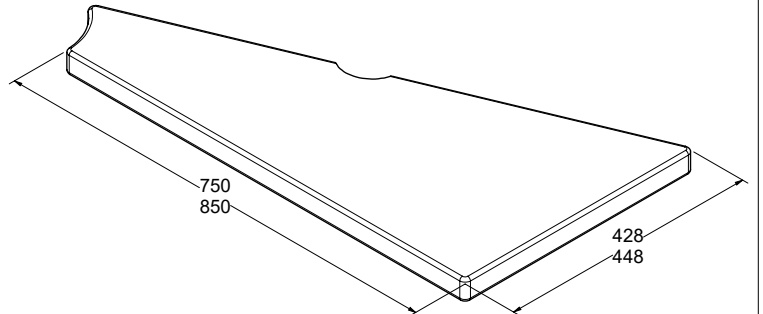
- M2-1078407 750 mm Beech / Buche / Beuk / Hêtre / Bøg
- M2-1078417 750 mm Oak / Eiche / Eik / Chêne / Eg
- M2-1078427 750 mm Oak white / Eiche weiss / Eik wit / Chêne blanc / Eg hvid
- M2-1078457 850 mm Beech / Buche / Beuk / Hêtre / Bøg
- M2-1078467 850 mm Oak / Eiche / Eik / Chêne / Eg
- M2-1078477 850 mm Oak white / Eiche weiss / Eik wit / Chêne blanc / Eg hvid



22

|   |   |   |
|---|---|---|
| x | I | 0 |
|   | L | 1 |
|   | U | 2 |

- M2-1078406 750 mm Beech / Buche / Beuk / Hêtre / Bøg
- M2-1078416 750 mm Oak / Eiche / Eik / Chêne / Eg
- M2-1078426 750 mm Oak white / Eiche weiss / Eik wit / Chêne blanc / Eg hvid
- M2-1078456 850 mm Beech / Buche / Beuk / Hêtre / Bøg
- M2-1078466 850 mm Oak / Eiche / Eik / Chêne / Eg
- M2-1078476 850 mm Oak white / Eiche weiss / Eik wit / Chêne blanc / Eg hvid



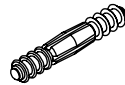
27

|   |   |    |    |    |    |
|---|---|----|----|----|----|
| x |   | 11 | 12 | 13 | 14 |
|   | I | 2  | 2  | 2  | 2  |
|   | L | 4  | 4  | 4  | 4  |
|   | U | 6  | 6  | 6  | 6  |



K1-1077720

30



x 10  
K3-08023

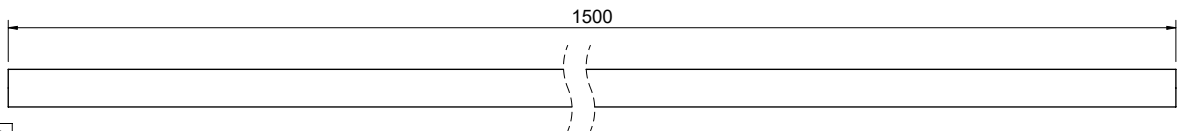
31



|   |   |    |    |    |    |
|---|---|----|----|----|----|
| x |   | 11 | 12 | 13 | 14 |
|   | I | 10 | 10 | 10 | 10 |
|   | L | 20 | 20 | 20 | 20 |
|   | U | 30 | 30 | 30 | 30 |

K1-18099

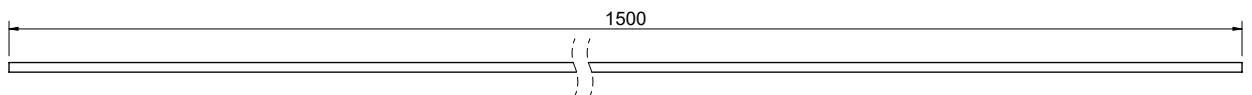
32



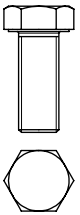
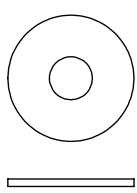
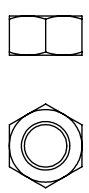
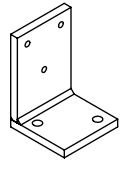

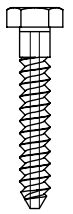


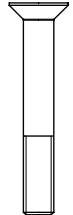
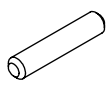

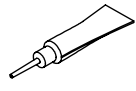
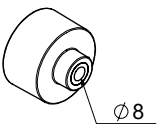


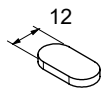

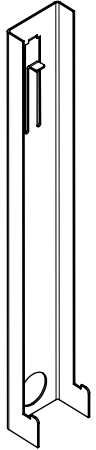
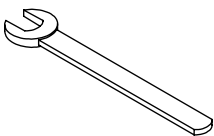
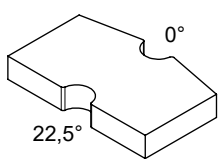
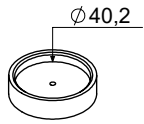
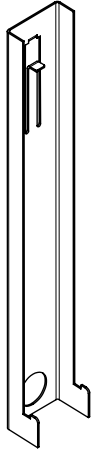
|   |   |    |    |    |    |
|---|---|----|----|----|----|
| x |   | 11 | 12 | 13 | 14 |
|   | I | 3  | 3  | 3  | 3  |
|   | L | 2  | 2  | 3  | 3  |
|   | U | 2  | 2  | 2  | 2  |

- M2-1078905 Beech / Buche / Beuken / Hêter / Bøg
- M2-1078915 Oak / Eiche / Bijv / Chêne / Eg
- M2-1078917 Oak white / Eiche weiß / Bijv wit / Chêne blanc / Eg hvid

33

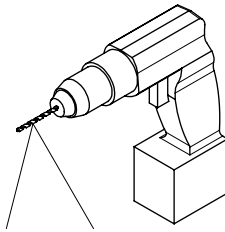
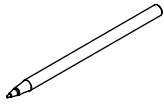


x 15  
K1-18049

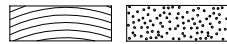
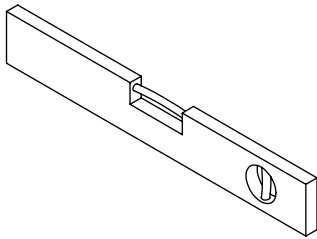
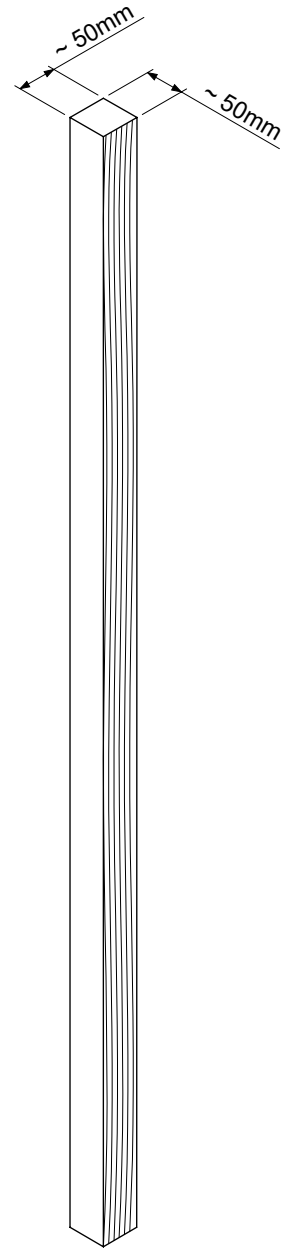
|                                                                                                                                                                                                                                                                                                        |                                                                                                                                           |                                                                                                                                                                                                                                                                                               |                                                                                                                         |     |    |    |           |           |           |     |                                                                                                                                                                                                                                                                                      |                                                                                                                                                                                                                                                                                                           |                                                                                                                                     |    |    |    |    |    |           |           |           |                                                                                                                               |                                                                                                                                                                                                            |
|--------------------------------------------------------------------------------------------------------------------------------------------------------------------------------------------------------------------------------------------------------------------------------------------------------|-------------------------------------------------------------------------------------------------------------------------------------------|-----------------------------------------------------------------------------------------------------------------------------------------------------------------------------------------------------------------------------------------------------------------------------------------------|-------------------------------------------------------------------------------------------------------------------------|-----|----|----|-----------|-----------|-----------|-----|--------------------------------------------------------------------------------------------------------------------------------------------------------------------------------------------------------------------------------------------------------------------------------------|-----------------------------------------------------------------------------------------------------------------------------------------------------------------------------------------------------------------------------------------------------------------------------------------------------------|-------------------------------------------------------------------------------------------------------------------------------------|----|----|----|----|----|-----------|-----------|-----------|-------------------------------------------------------------------------------------------------------------------------------|------------------------------------------------------------------------------------------------------------------------------------------------------------------------------------------------------------|
| <p>37</p> <table border="1"> <tr><td></td><td>11</td><td>12</td><td>13</td><td>14</td></tr> <tr><td>x</td><td>11</td><td>12</td><td>13</td><td>14</td></tr> </table> <p>R1-63500<br/>M16 x 40</p>                     |                                                                                                                                           | 11                                                                                                                                                                                                                                                                                            | 12                                                                                                                      | 13  | 14 | x  | 11        | 12        | 13        | 14  | <p>38</p> <table border="1"> <tr><td></td><td>11</td><td>12</td><td>13</td><td>14</td></tr> <tr><td>x</td><td>11</td><td>12</td><td>13</td><td>14</td></tr> </table> <p>K3-04053<br/>Ø50 / Ø17</p>  |                                                                                                                                                                                                                                                                                                           | 11                                                                                                                                  | 12 | 13 | 14 | x  | 11 | 12        | 13        | 14        | <p>39</p> <p>x 1<br/>R2-86074<br/>M16</p>  | <p>36</p> <p>x 4<br/>K1-1077295 RAL 7016<br/>K1-1077296 RAL 9005<br/>K1-1077297 Pearl grey<br/>K1-1077298 RAL 9016</p>  |
|                                                                                                                                                                                                                                                                                                        | 11                                                                                                                                        | 12                                                                                                                                                                                                                                                                                            | 13                                                                                                                      | 14  |    |    |           |           |           |     |                                                                                                                                                                                                                                                                                      |                                                                                                                                                                                                                                                                                                           |                                                                                                                                     |    |    |    |    |    |           |           |           |                                                                                                                               |                                                                                                                                                                                                            |
| x                                                                                                                                                                                                                                                                                                      | 11                                                                                                                                        | 12                                                                                                                                                                                                                                                                                            | 13                                                                                                                      | 14  |    |    |           |           |           |     |                                                                                                                                                                                                                                                                                      |                                                                                                                                                                                                                                                                                                           |                                                                                                                                     |    |    |    |    |    |           |           |           |                                                                                                                               |                                                                                                                                                                                                            |
|                                                                                                                                                                                                                                                                                                        | 11                                                                                                                                        | 12                                                                                                                                                                                                                                                                                            | 13                                                                                                                      | 14  |    |    |           |           |           |     |                                                                                                                                                                                                                                                                                      |                                                                                                                                                                                                                                                                                                           |                                                                                                                                     |    |    |    |    |    |           |           |           |                                                                                                                               |                                                                                                                                                                                                            |
| x                                                                                                                                                                                                                                                                                                      | 11                                                                                                                                        | 12                                                                                                                                                                                                                                                                                            | 13                                                                                                                      | 14  |    |    |           |           |           |     |                                                                                                                                                                                                                                                                                      |                                                                                                                                                                                                                                                                                                           |                                                                                                                                     |    |    |    |    |    |           |           |           |                                                                                                                               |                                                                                                                                                                                                            |
| <p>41</p> <p>x 17<br/>K3-04001<br/>Ø10</p>                                                                                                                                                                            | <p>42</p> <p>x 17<br/>K3-06003<br/>Ø10 x 60</p>          | <p>44</p> <table border="1"> <tr><td></td><td>11</td><td>12</td><td>13</td><td>14</td></tr> <tr><td>x</td><td>100</td><td>108</td><td>116</td><td>124</td></tr> </table> <p>R1-63267<br/>Ø6 x 35 TX30</p>  |                                                                                                                         | 11  | 12 | 13 | 14        | x         | 100       | 108 | 116                                                                                                                                                                                                                                                                                  | 124                                                                                                                                                                                                                                                                                                       | <p>40</p> <p>x 17<br/>K3-08001<br/>Ø12 x 60</p>  |    |    |    |    |    |           |           |           |                                                                                                                               |                                                                                                                                                                                                            |
|                                                                                                                                                                                                                                                                                                        | 11                                                                                                                                        | 12                                                                                                                                                                                                                                                                                            | 13                                                                                                                      | 14  |    |    |           |           |           |     |                                                                                                                                                                                                                                                                                      |                                                                                                                                                                                                                                                                                                           |                                                                                                                                     |    |    |    |    |    |           |           |           |                                                                                                                               |                                                                                                                                                                                                            |
| x                                                                                                                                                                                                                                                                                                      | 100                                                                                                                                       | 108                                                                                                                                                                                                                                                                                           | 116                                                                                                                     | 124 |    |    |           |           |           |     |                                                                                                                                                                                                                                                                                      |                                                                                                                                                                                                                                                                                                           |                                                                                                                                     |    |    |    |    |    |           |           |           |                                                                                                                               |                                                                                                                                                                                                            |
| <p>46</p> <table border="1"> <tr><td></td><td>11</td><td>12</td><td>13</td><td>14</td></tr> <tr><td>x</td><td>I 5 5 5 6</td><td>L 5 6 6 6</td><td>U 6 6 7 7</td><td></td></tr> </table> <p>K3-02097<br/>M10 x 70</p>  |                                                                                                                                           | 11                                                                                                                                                                                                                                                                                            | 12                                                                                                                      | 13  | 14 | x  | I 5 5 5 6 | L 5 6 6 6 | U 6 6 7 7 |     | <p>47</p> <p>x 4<br/>R3-91415<br/>Ø8 x 40</p>                                                                                                                                                       | <p>48</p> <table border="1"> <tr><td></td><td>11</td><td>12</td><td>13</td><td>14</td></tr> <tr><td>x</td><td>I 5 5 5 6</td><td>L 5 6 6 6</td><td>U 6 6 7 7</td><td></td></tr> </table> <p>K3-06239<br/>Ø4,5 x 25</p>  |                                                                                                                                     | 11 | 12 | 13 | 14 | x  | I 5 5 5 6 | L 5 6 6 6 | U 6 6 7 7 |                                                                                                                               | <p>49</p> <p>x 1<br/>K3-90001</p> <p>Strong glue<br/>Superkleber<br/>Seconde lijm<br/>Colle forte<br/>Superlim</p>      |
|                                                                                                                                                                                                                                                                                                        | 11                                                                                                                                        | 12                                                                                                                                                                                                                                                                                            | 13                                                                                                                      | 14  |    |    |           |           |           |     |                                                                                                                                                                                                                                                                                      |                                                                                                                                                                                                                                                                                                           |                                                                                                                                     |    |    |    |    |    |           |           |           |                                                                                                                               |                                                                                                                                                                                                            |
| x                                                                                                                                                                                                                                                                                                      | I 5 5 5 6                                                                                                                                 | L 5 6 6 6                                                                                                                                                                                                                                                                                     | U 6 6 7 7                                                                                                               |     |    |    |           |           |           |     |                                                                                                                                                                                                                                                                                      |                                                                                                                                                                                                                                                                                                           |                                                                                                                                     |    |    |    |    |    |           |           |           |                                                                                                                               |                                                                                                                                                                                                            |
|                                                                                                                                                                                                                                                                                                        | 11                                                                                                                                        | 12                                                                                                                                                                                                                                                                                            | 13                                                                                                                      | 14  |    |    |           |           |           |     |                                                                                                                                                                                                                                                                                      |                                                                                                                                                                                                                                                                                                           |                                                                                                                                     |    |    |    |    |    |           |           |           |                                                                                                                               |                                                                                                                                                                                                            |
| x                                                                                                                                                                                                                                                                                                      | I 5 5 5 6                                                                                                                                 | L 5 6 6 6                                                                                                                                                                                                                                                                                     | U 6 6 7 7                                                                                                               |     |    |    |           |           |           |     |                                                                                                                                                                                                                                                                                      |                                                                                                                                                                                                                                                                                                           |                                                                                                                                     |    |    |    |    |    |           |           |           |                                                                                                                               |                                                                                                                                                                                                            |
| <p>50</p> <p>x 1<br/>K1-01810</p> <p>Ø8</p>                                                                                                                                                                         | <p>51</p> <p>x 2<br/>K3-06022<br/>Ø5 x 35 TX25</p>     |                                                                                                                                                                                                                                                                                               |                                                                                                                         |     |    |    |           |           |           |     |                                                                                                                                                                                                                                                                                      |                                                                                                                                                                                                                                                                                                           |                                                                                                                                     |    |    |    |    |    |           |           |           |                                                                                                                               |                                                                                                                                                                                                            |
| <p>56</p> <p>x 2<br/>K3-08006<br/>Ø6 x 40</p>                                                                                                                                                                       | <p>58</p> <p>x 8<br/>R3-20590</p> <p>12</p>            | <p>59</p> <p>x 1<br/>K3-90005</p> <p>Wood glue<br/>Holzkleber<br/>Colle à bois<br/>Trælim<br/>Houtlijm</p>                                                                                                 | <p>60</p>                          |     |    |    |           |           |           |     |                                                                                                                                                                                                                                                                                      |                                                                                                                                                                                                                                                                                                           |                                                                                                                                     |    |    |    |    |    |           |           |           |                                                                                                                               |                                                                                                                                                                                                            |
| <p>61</p> <p>x 1<br/>R1-63501<br/>24 mm</p>                                                                                                                                                                         | <p>62</p> <p>x 1<br/>H3-35920</p> <p>0°<br/>22,5°</p>  | <p>63</p> <p>x 1<br/>K1-01620</p> <p>Ø40,2</p>                                                                                                                                                            | <p>60</p> <p>x 1<br/>H2-63530</p>  |     |    |    |           |           |           |     |                                                                                                                                                                                                                                                                                      |                                                                                                                                                                                                                                                                                                           |                                                                                                                                     |    |    |    |    |    |           |           |           |                                                                                                                               |                                                                                                                                                                                                            |



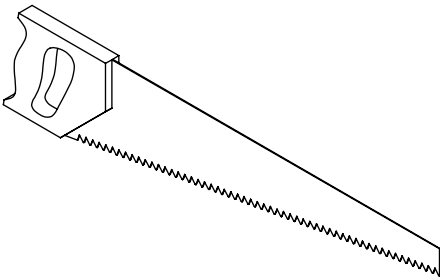
Tools not included!  
Werkzeuge nicht enthalten!  
Gereedschap niet inbegrepen!  
Outils non inclus!  
Værktøj ikke inkluderet!



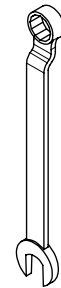
TX25  
TX30  
PZ2



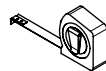
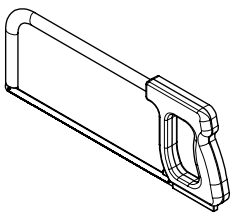
∅ 3mm ∅ 6mm  
∅ 4mm ∅ 12mm  
∅ 6mm  
∅ 8mm  
∅ 10mm



3mm  
4mm  
6mm



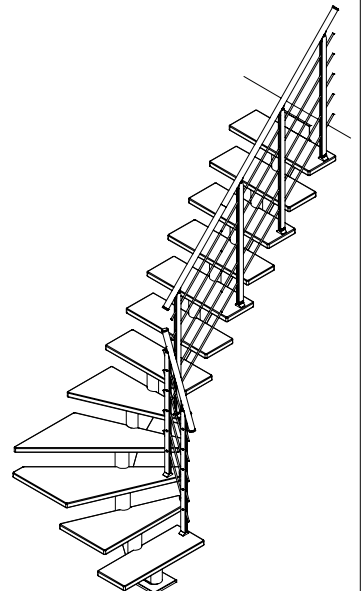
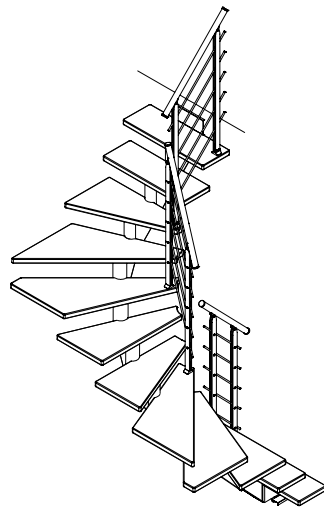
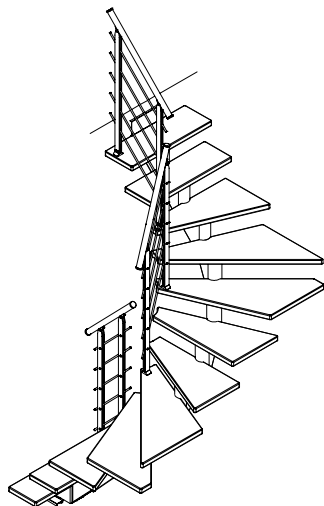
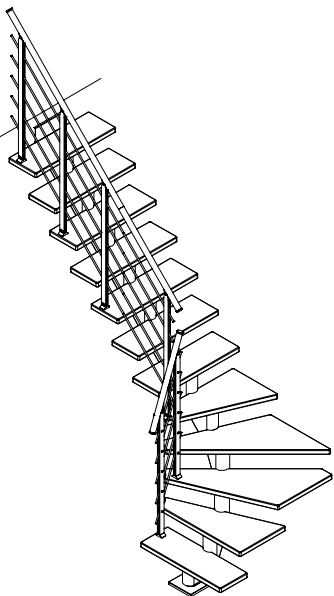
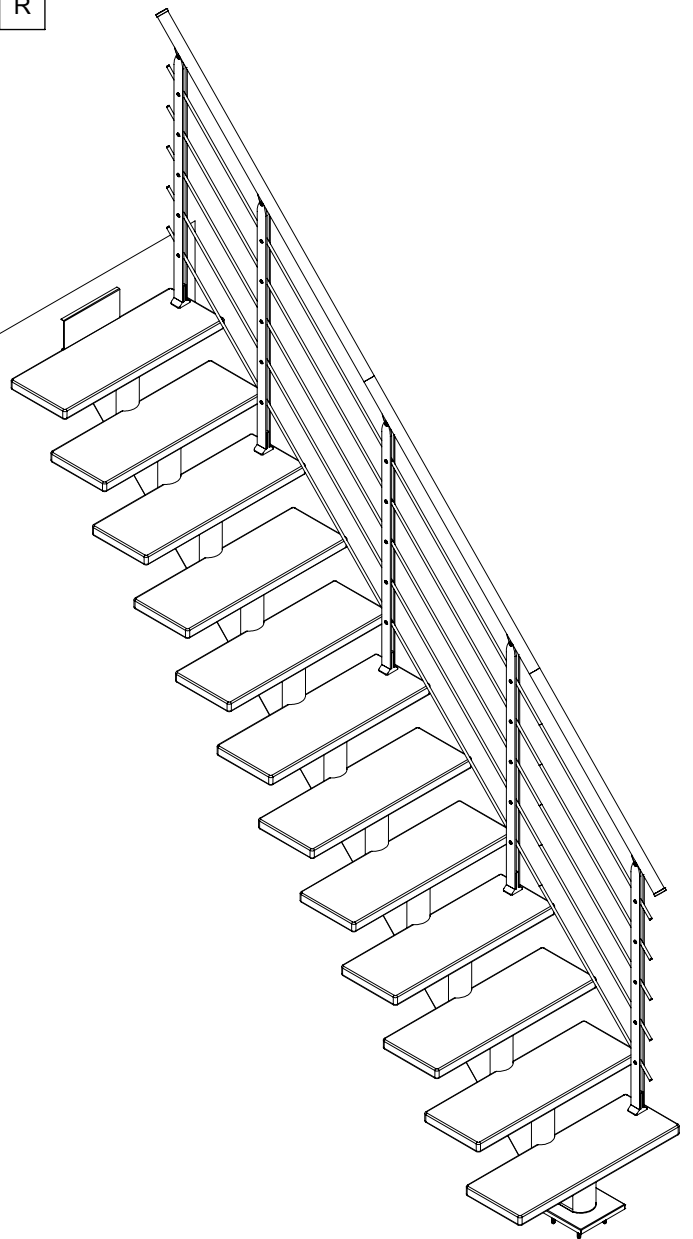
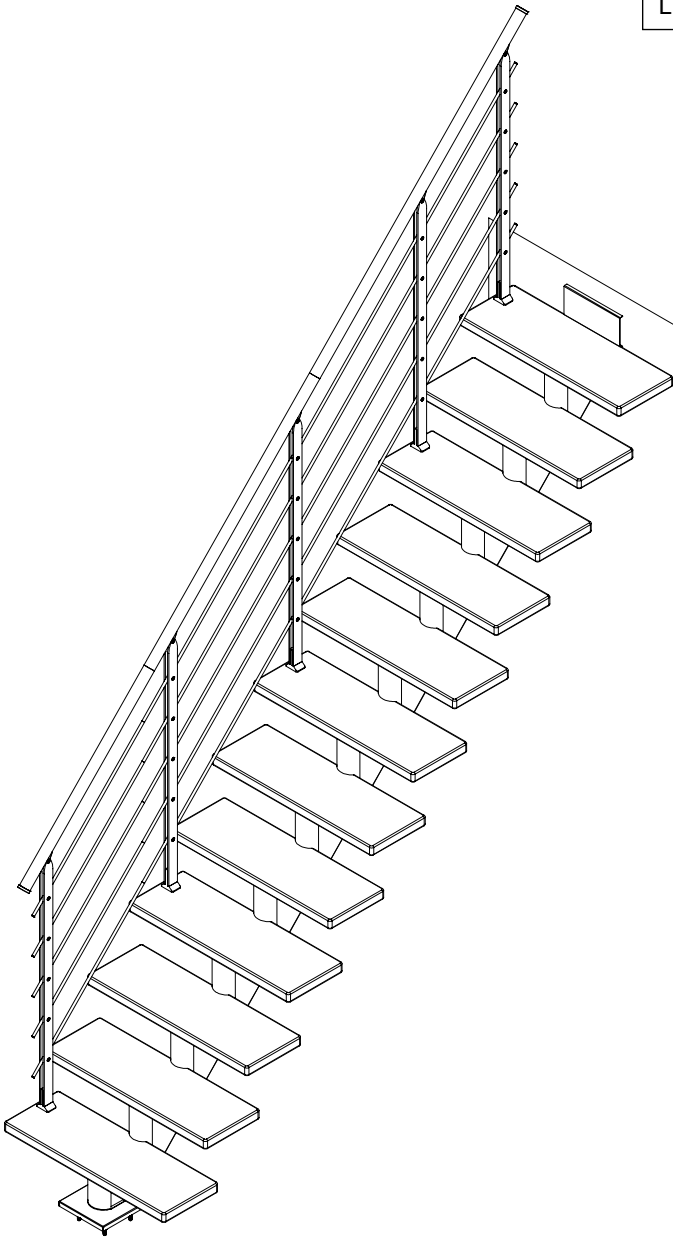
16mm

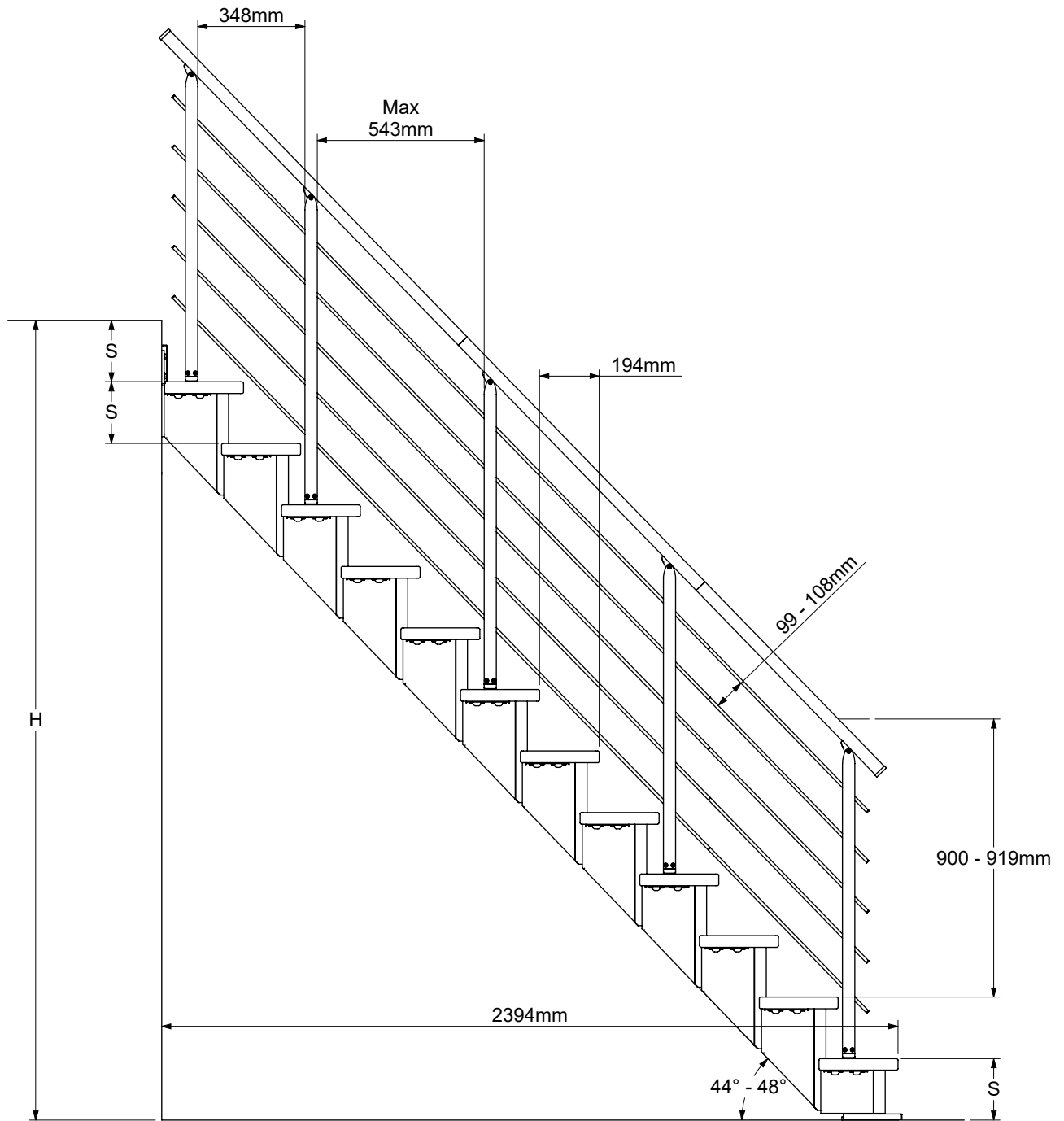




L

R





$$S = \frac{H}{T + 1}$$

| min S  | max S  |
|--------|--------|
| 185 mm | 215 mm |

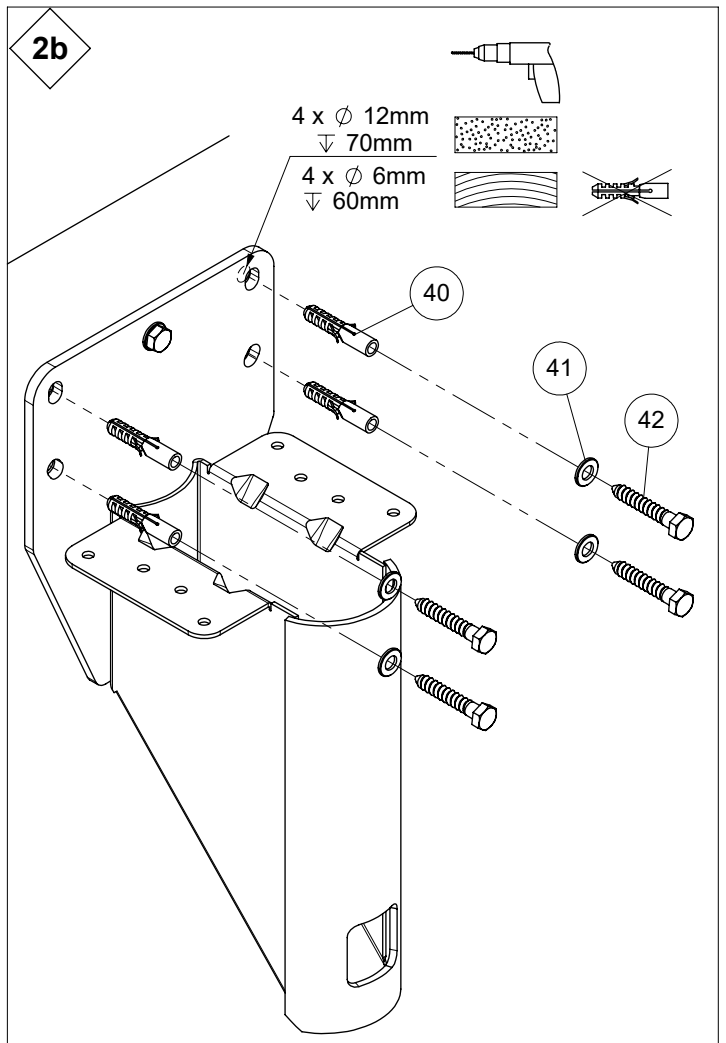
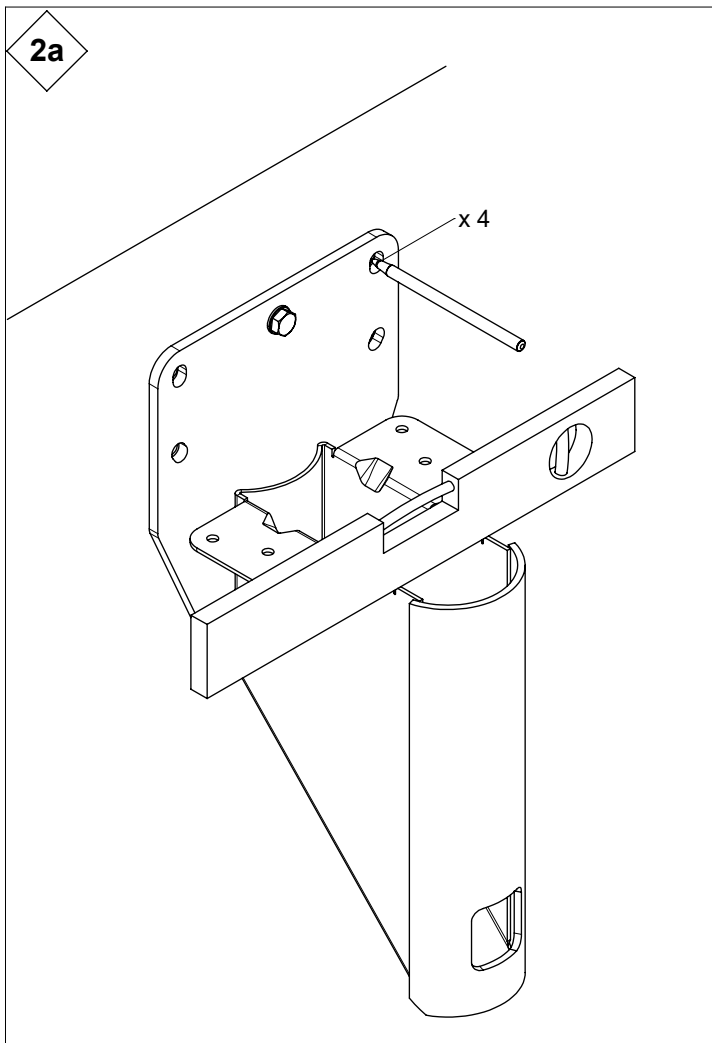
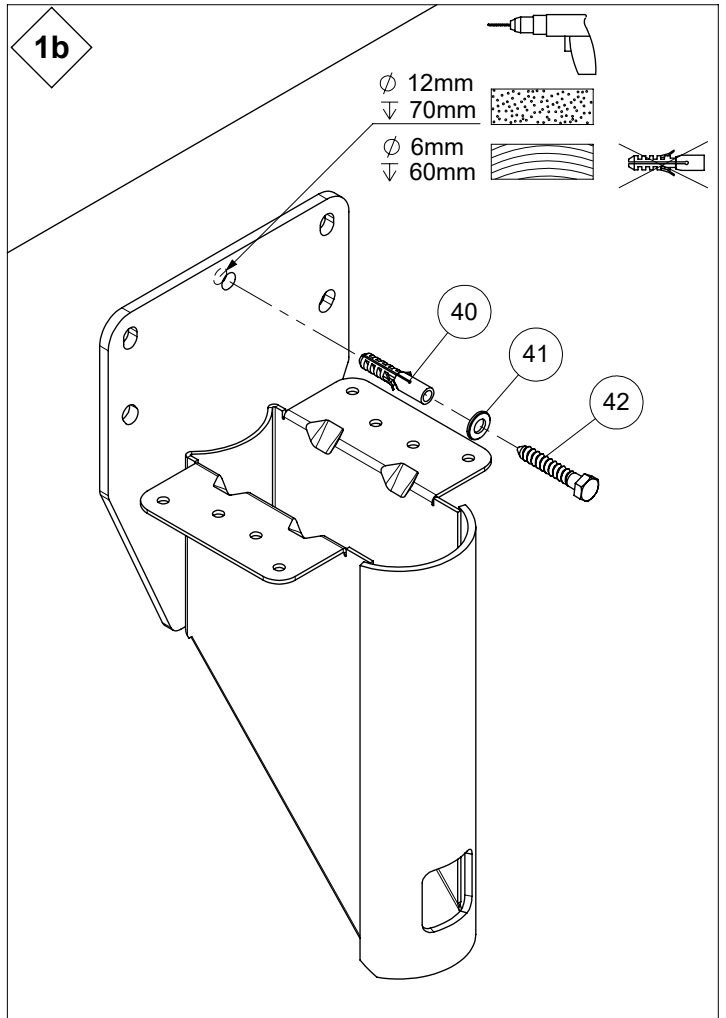
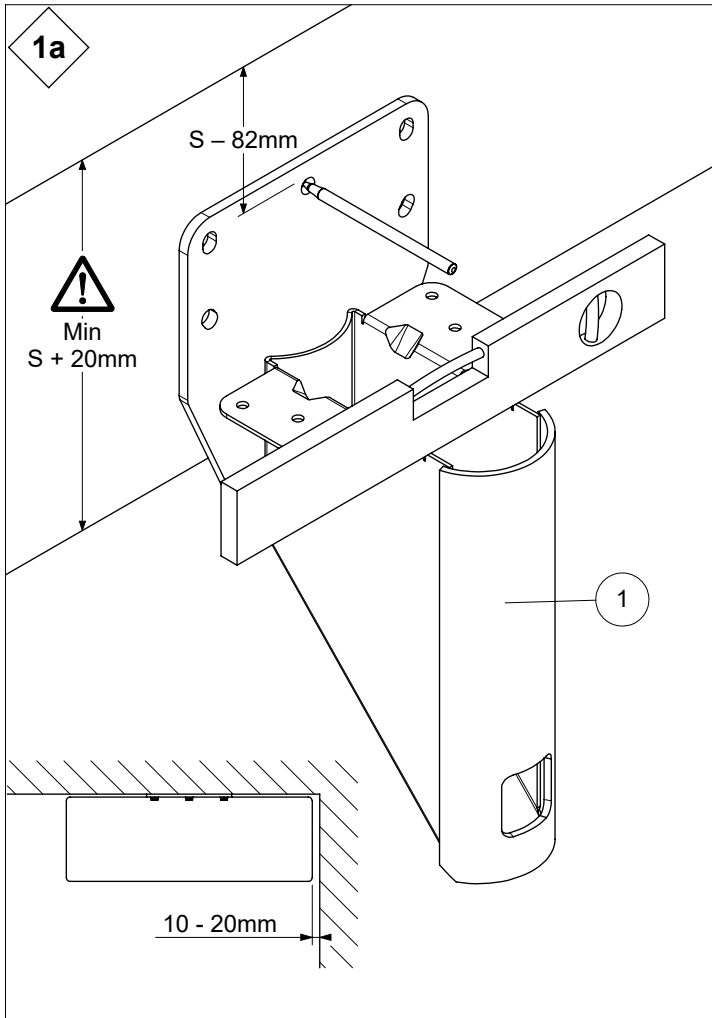
Example / Beispiel / Voorbeeld / Example / Eksempel:  
H: 2400 mm, T: 11 st(pcs)

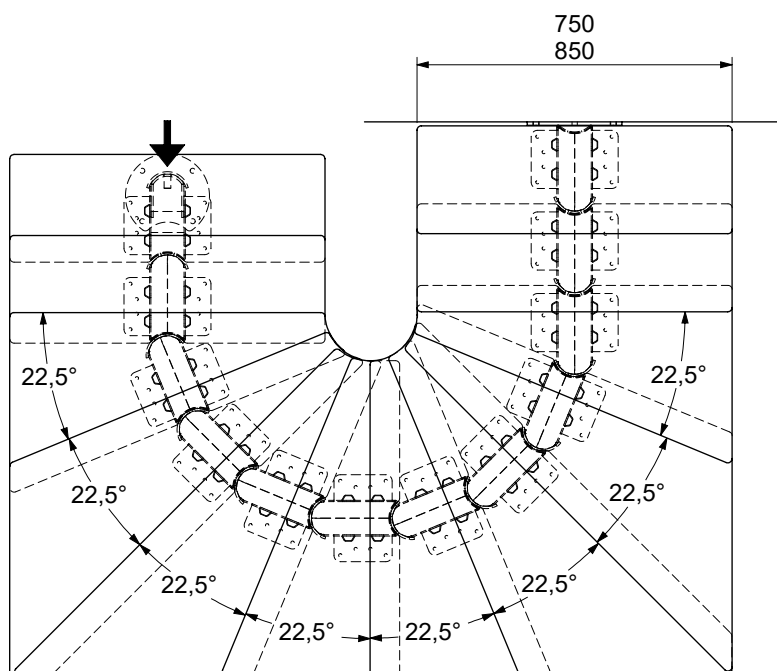
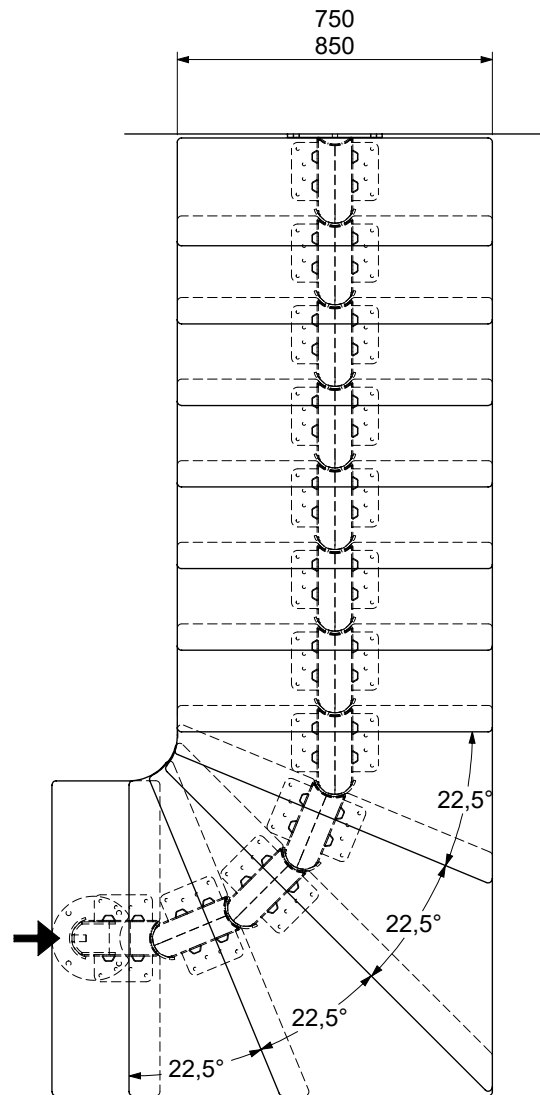
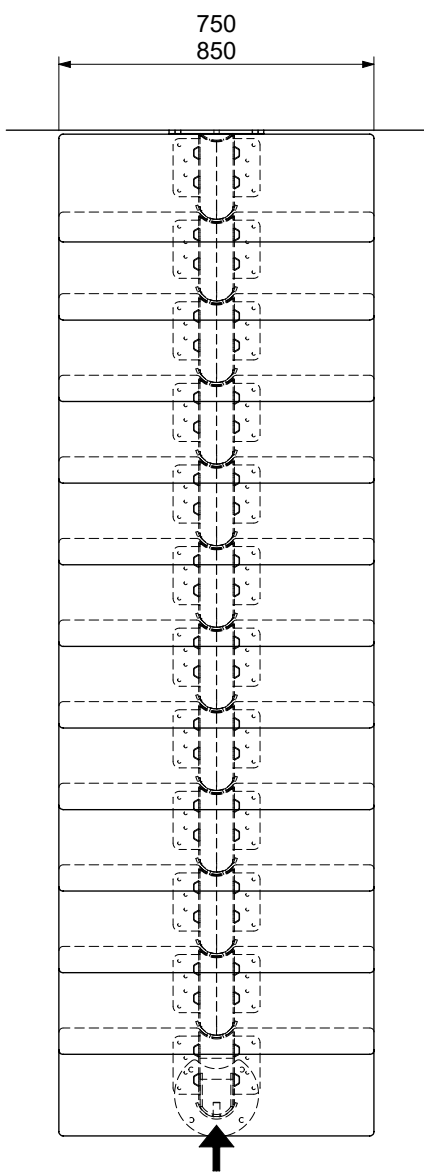
$$S = \frac{2400 \text{ mm}}{11 + 1} = 200 \text{ mm}$$



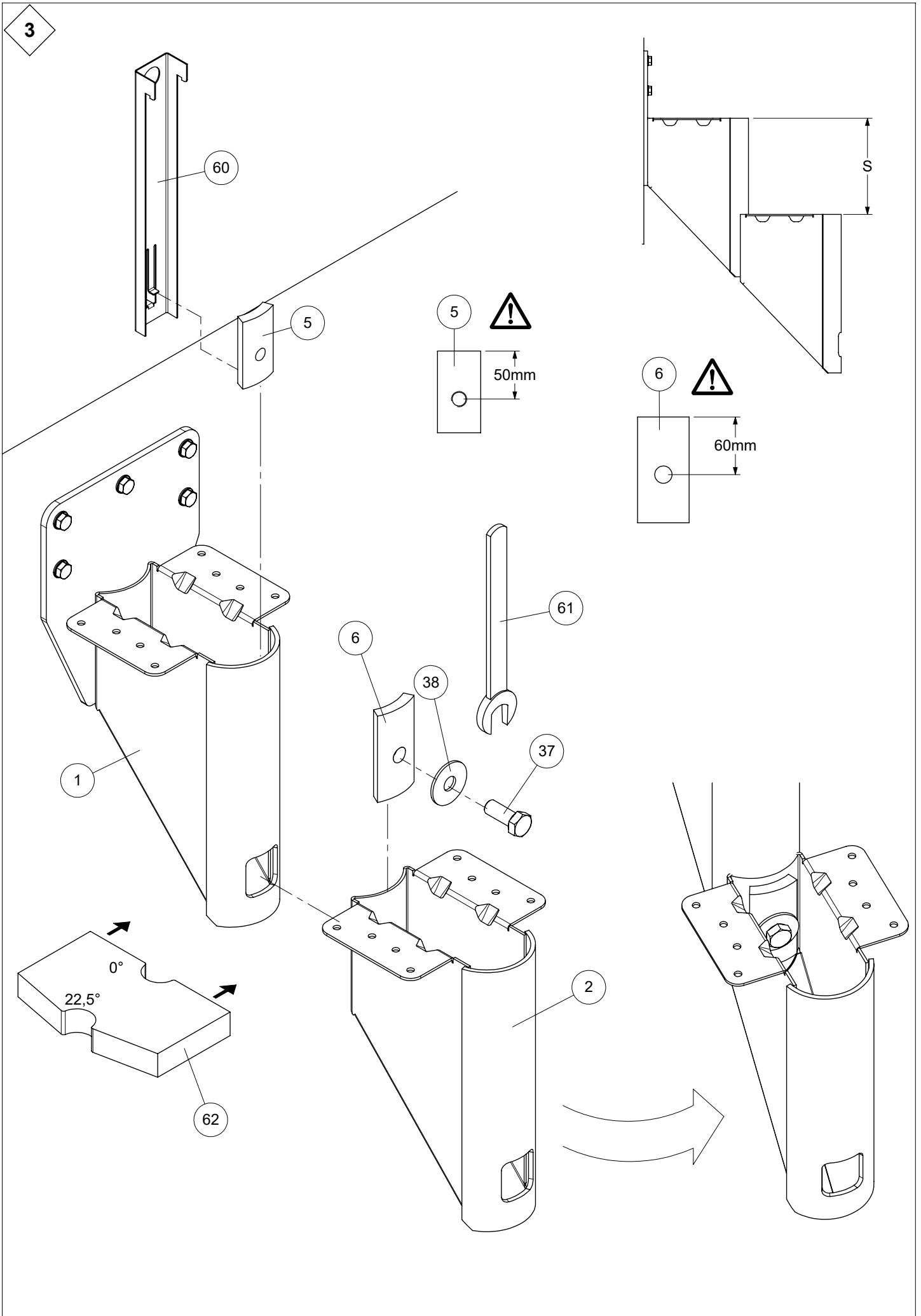
| T  | min H   | max H   |
|----|---------|---------|
| 9  | 1850 mm | 2150 mm |
| 10 | 2035 mm | 2365 mm |
| 11 | 2220 mm | 2580 mm |
| 12 | 2405 mm | 2795 mm |
| 13 | 2590 mm | 3010 mm |

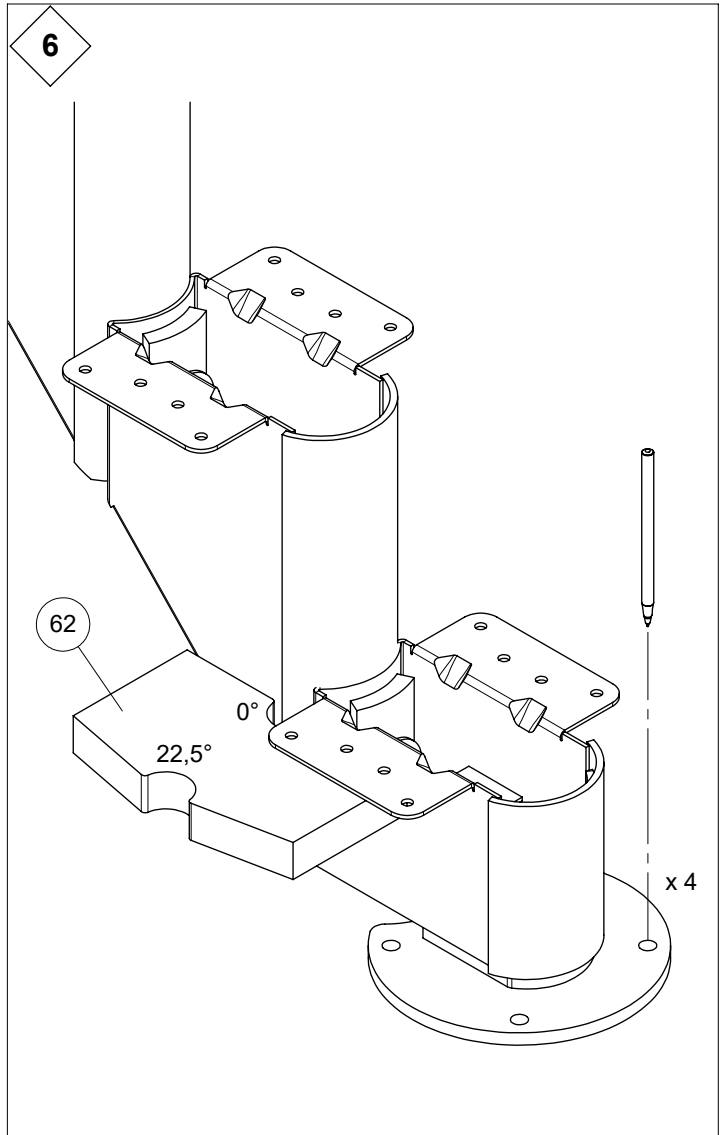
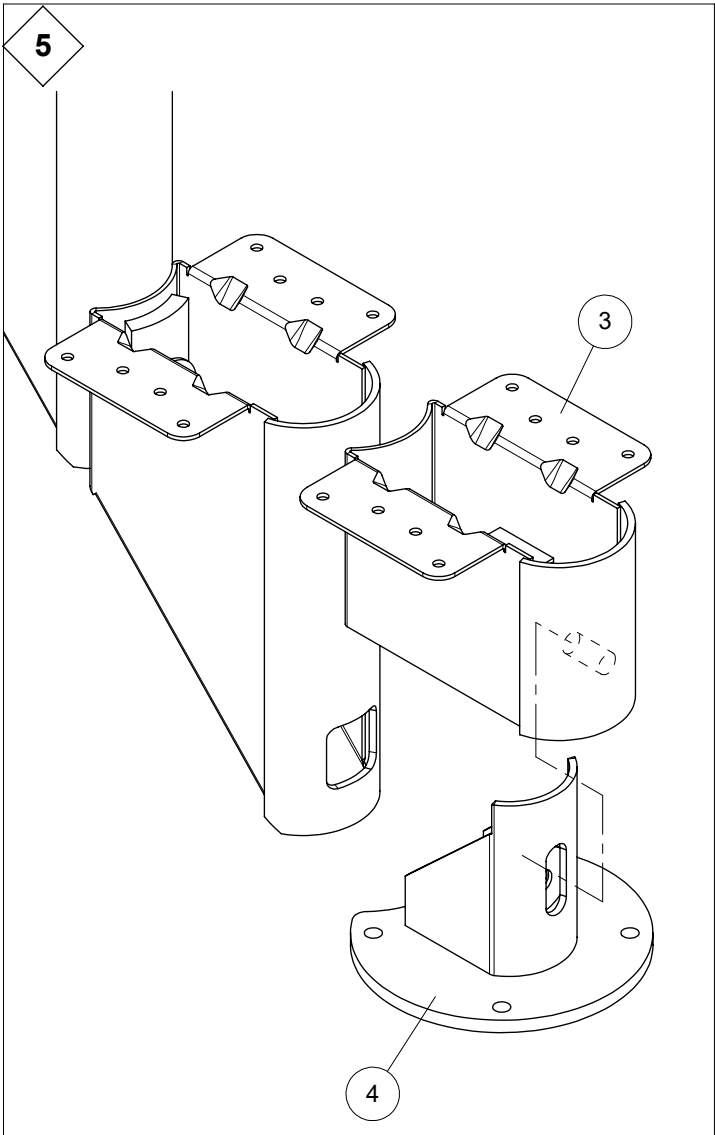
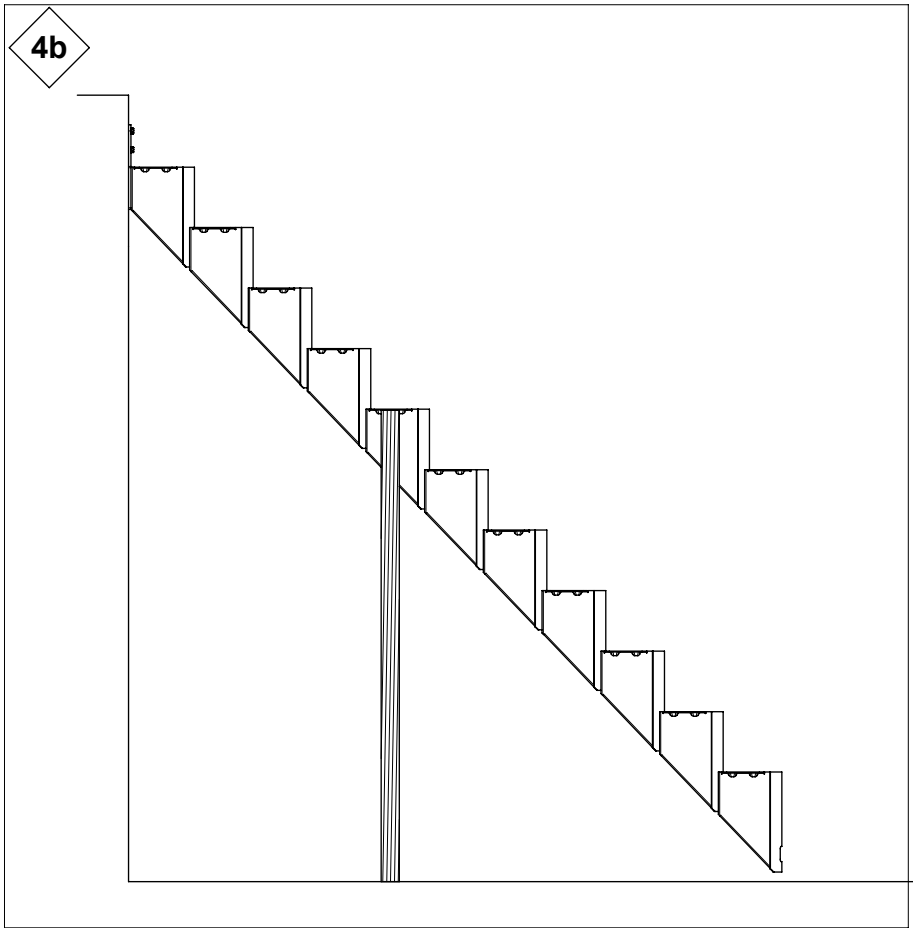
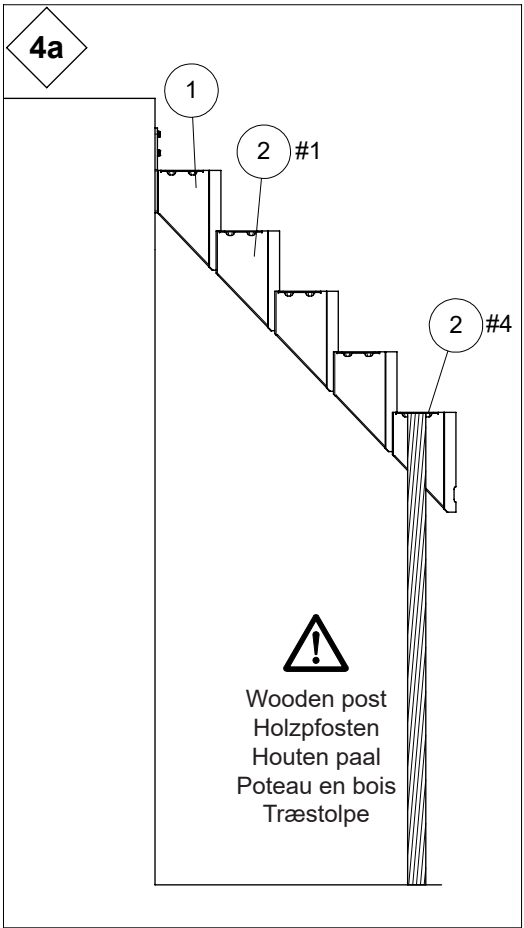




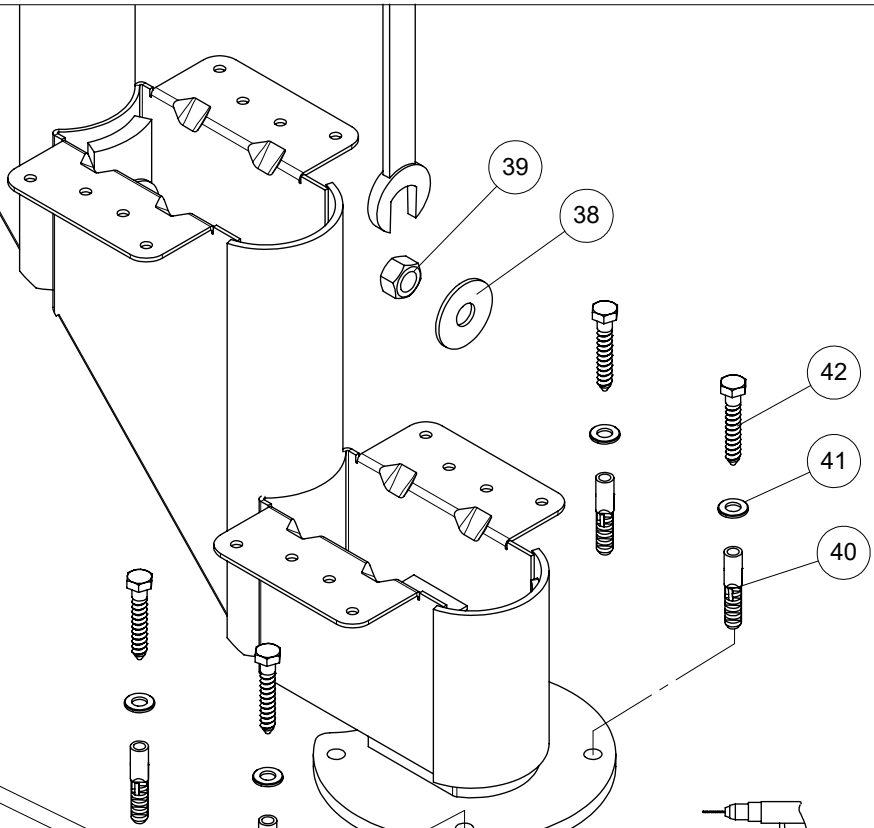
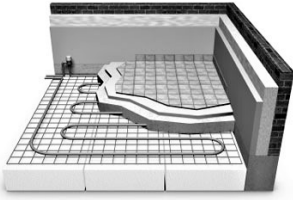


3

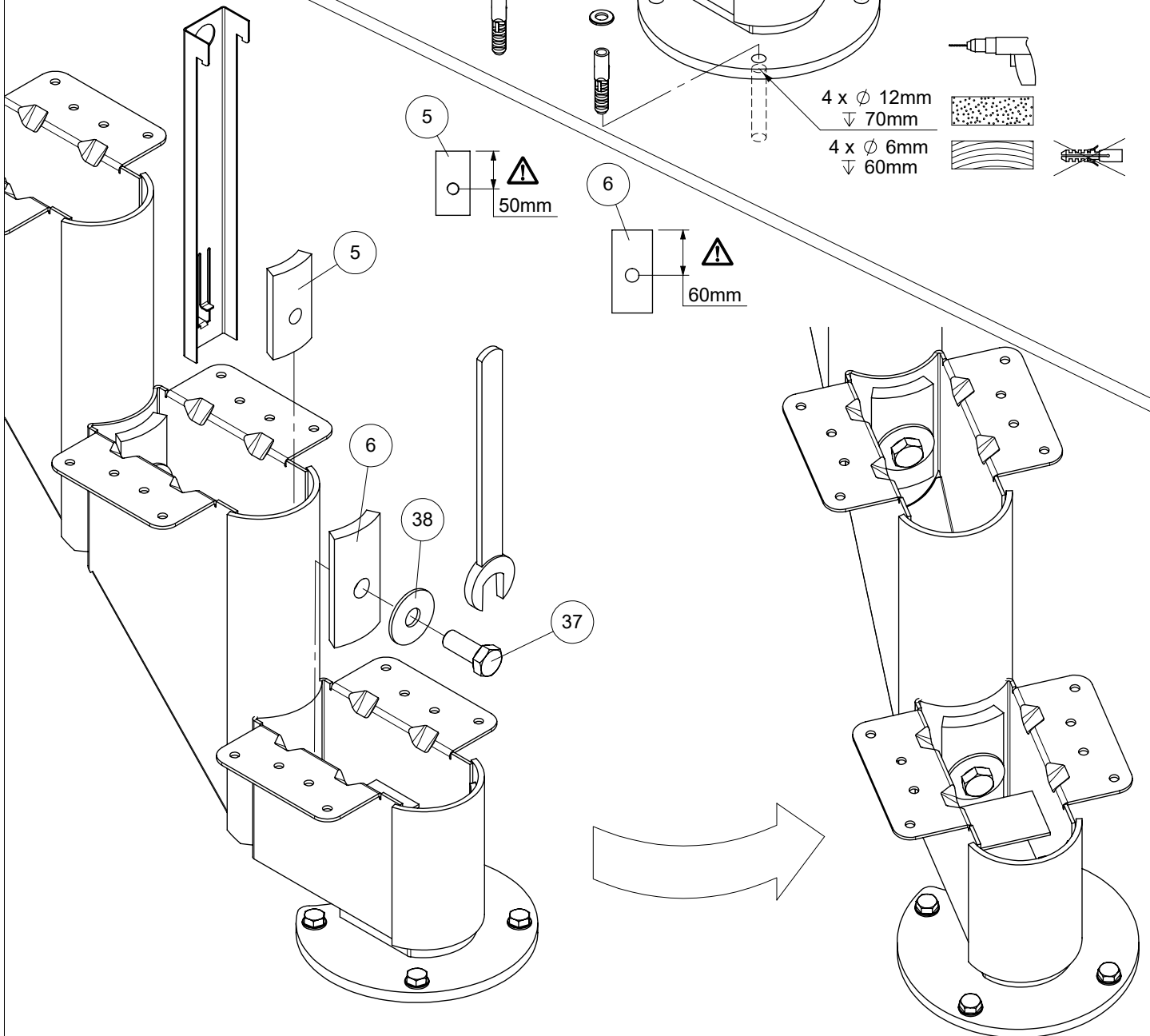


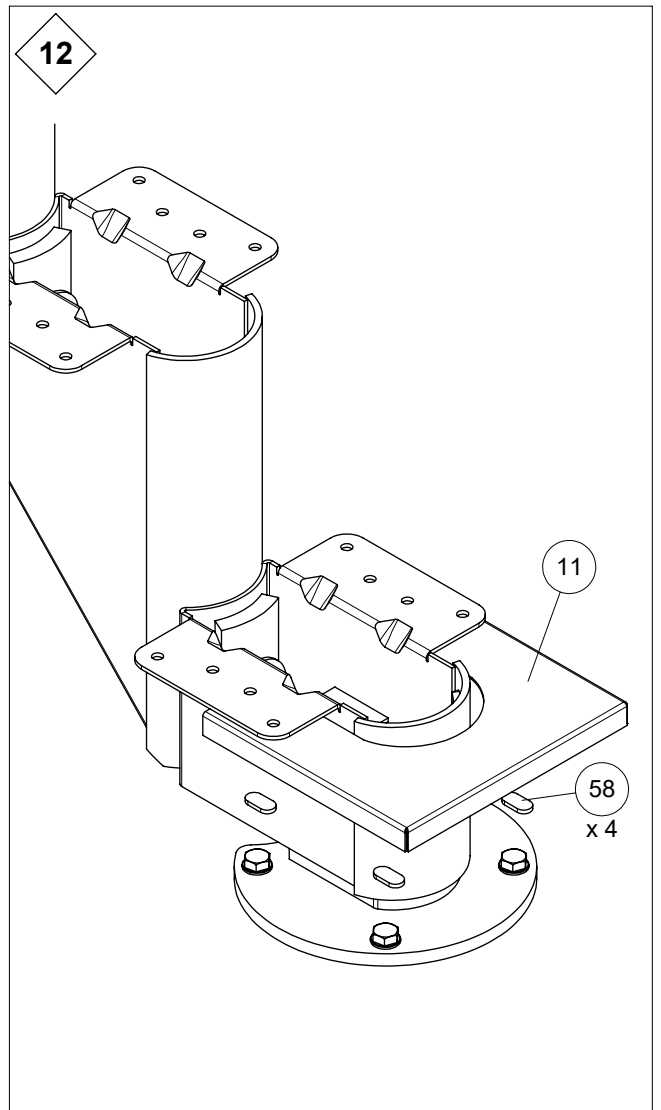
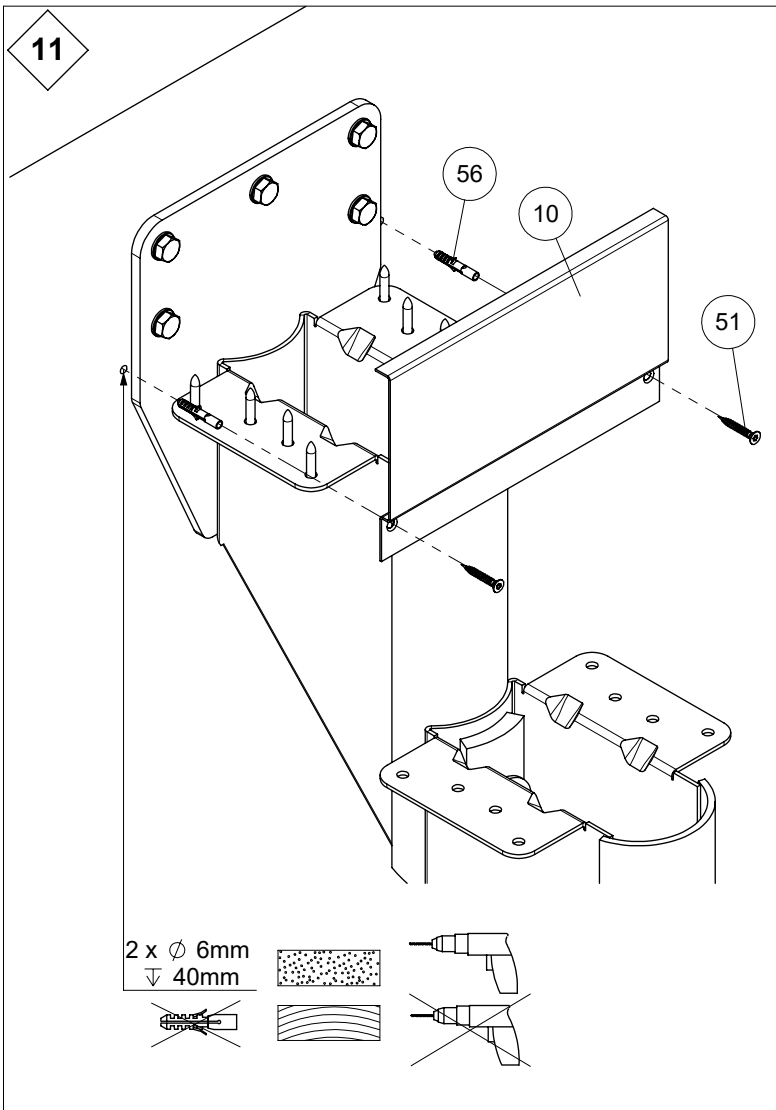
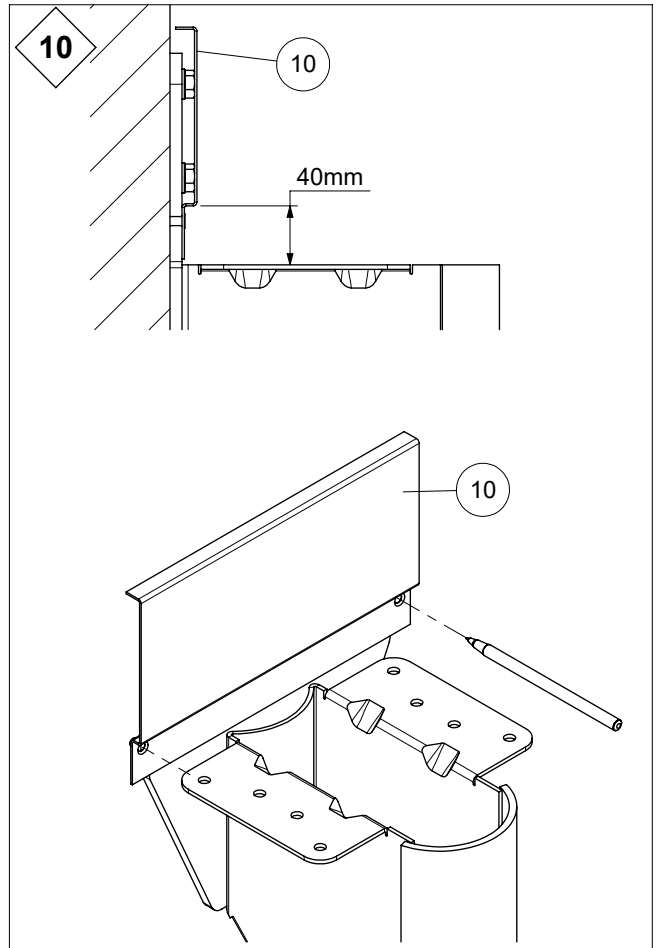
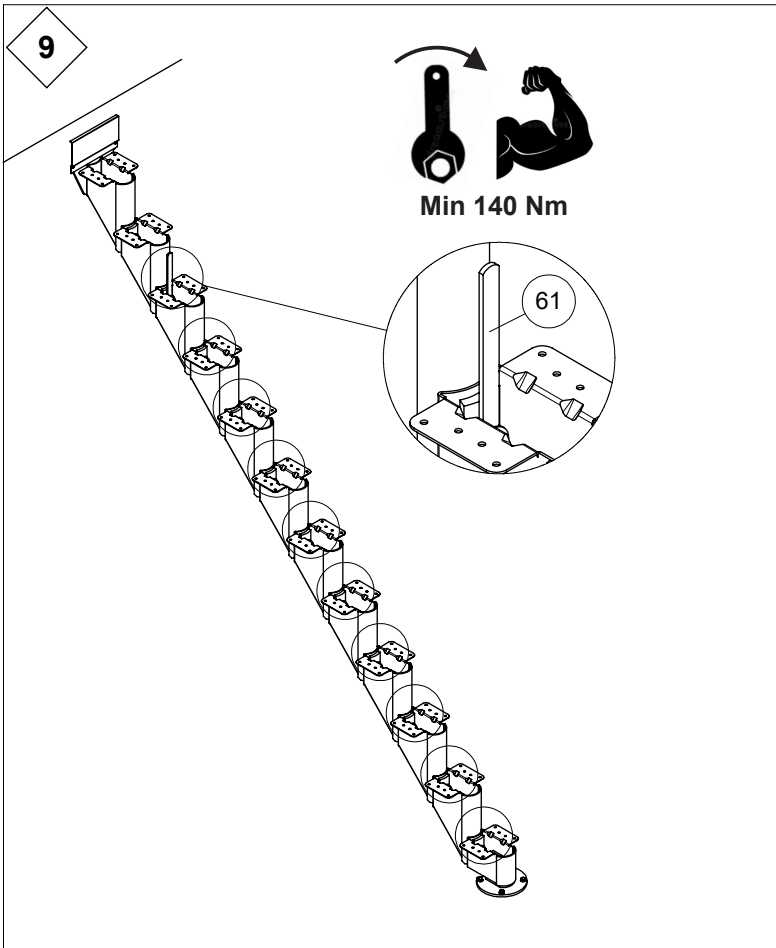


7

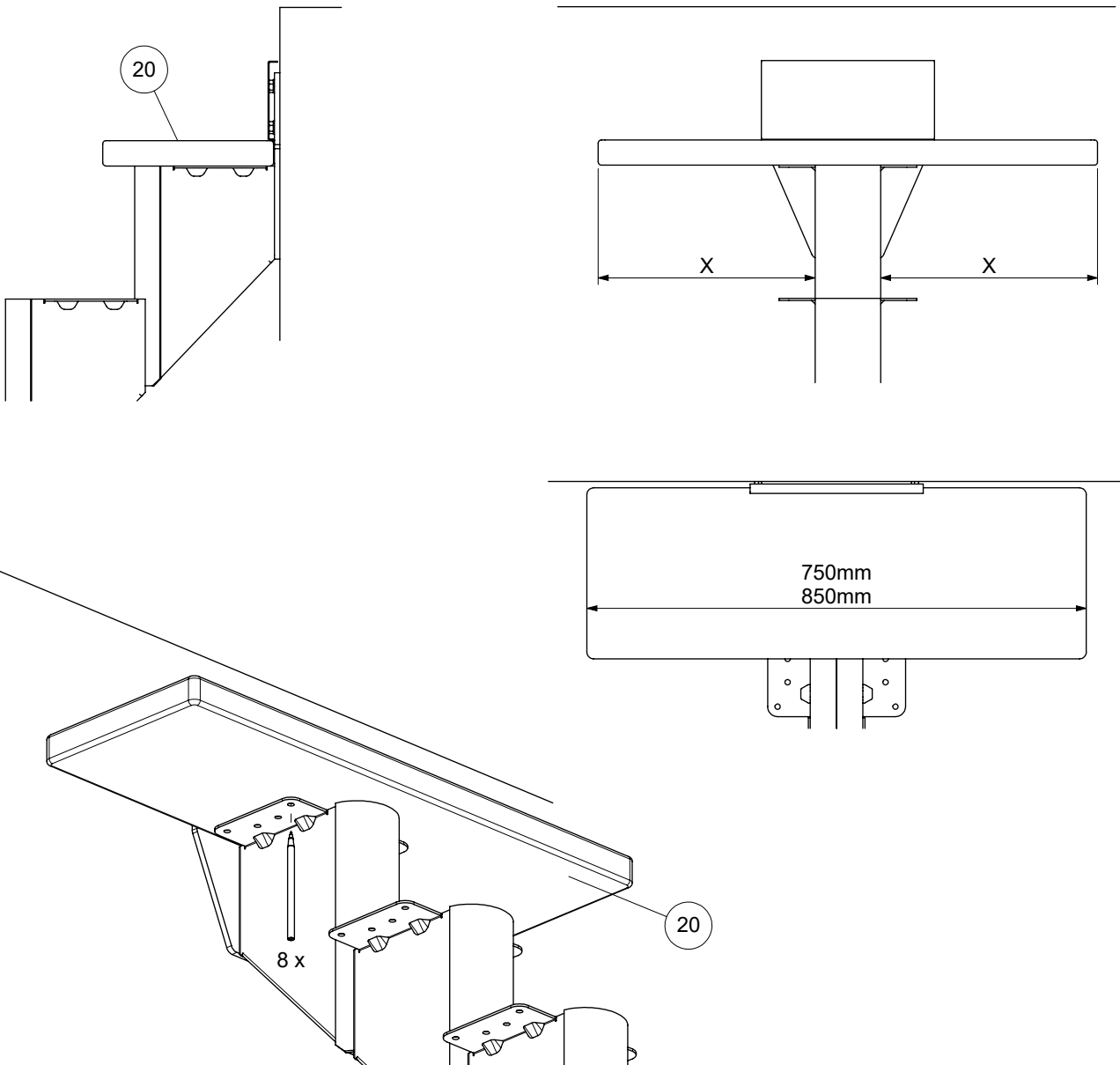


8

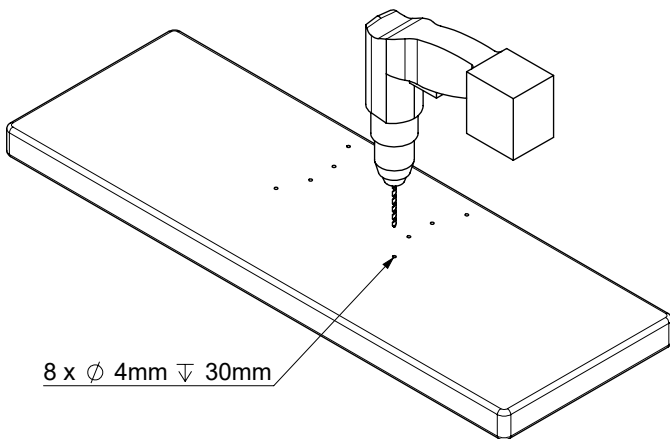




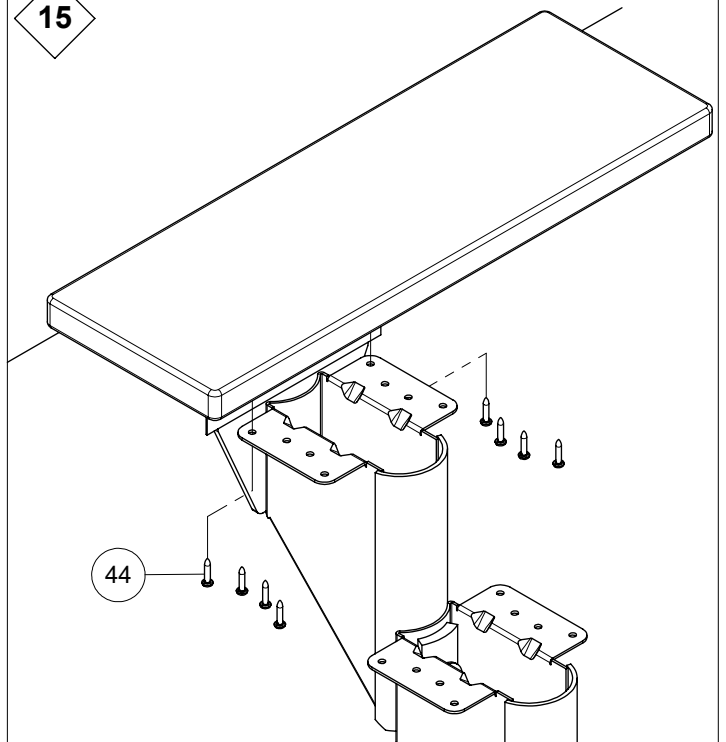
13

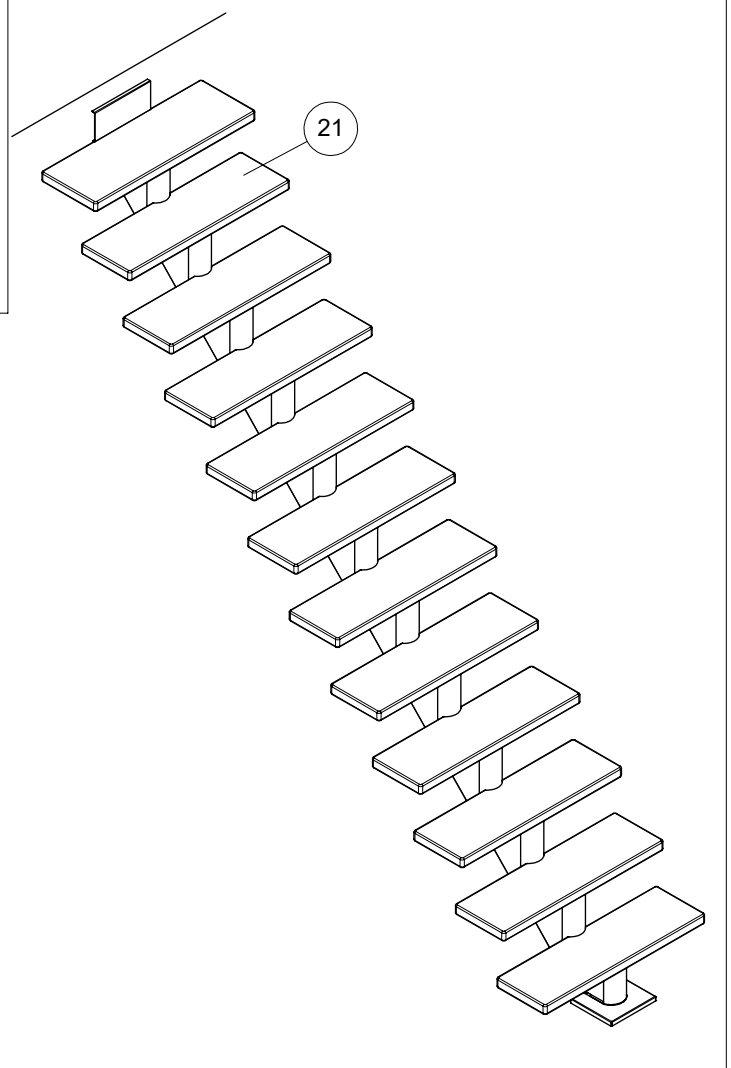
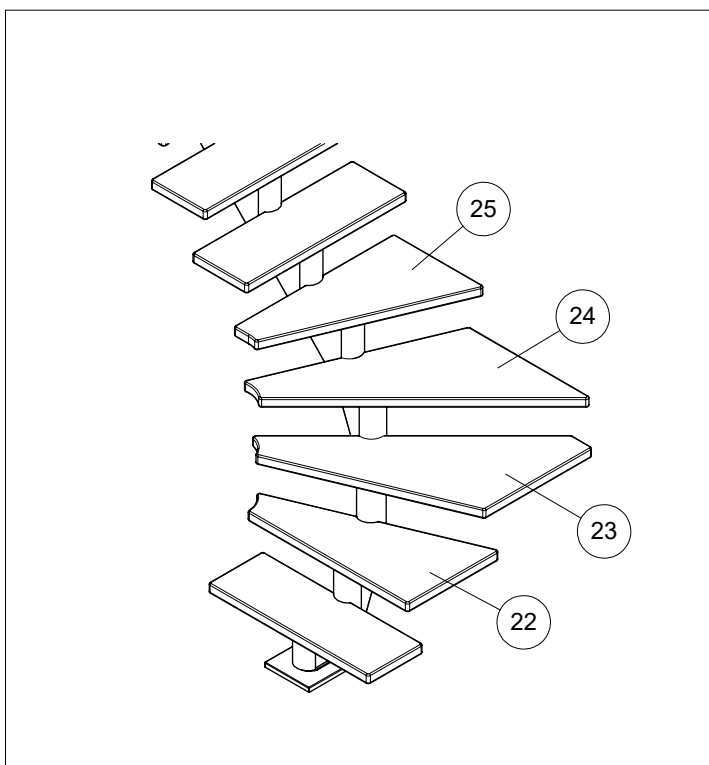
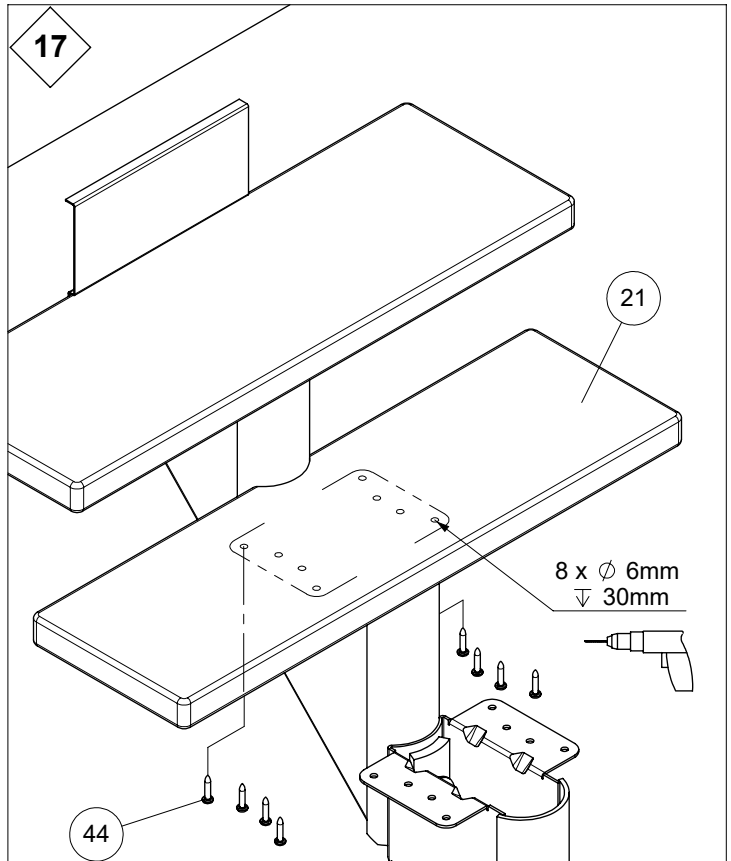
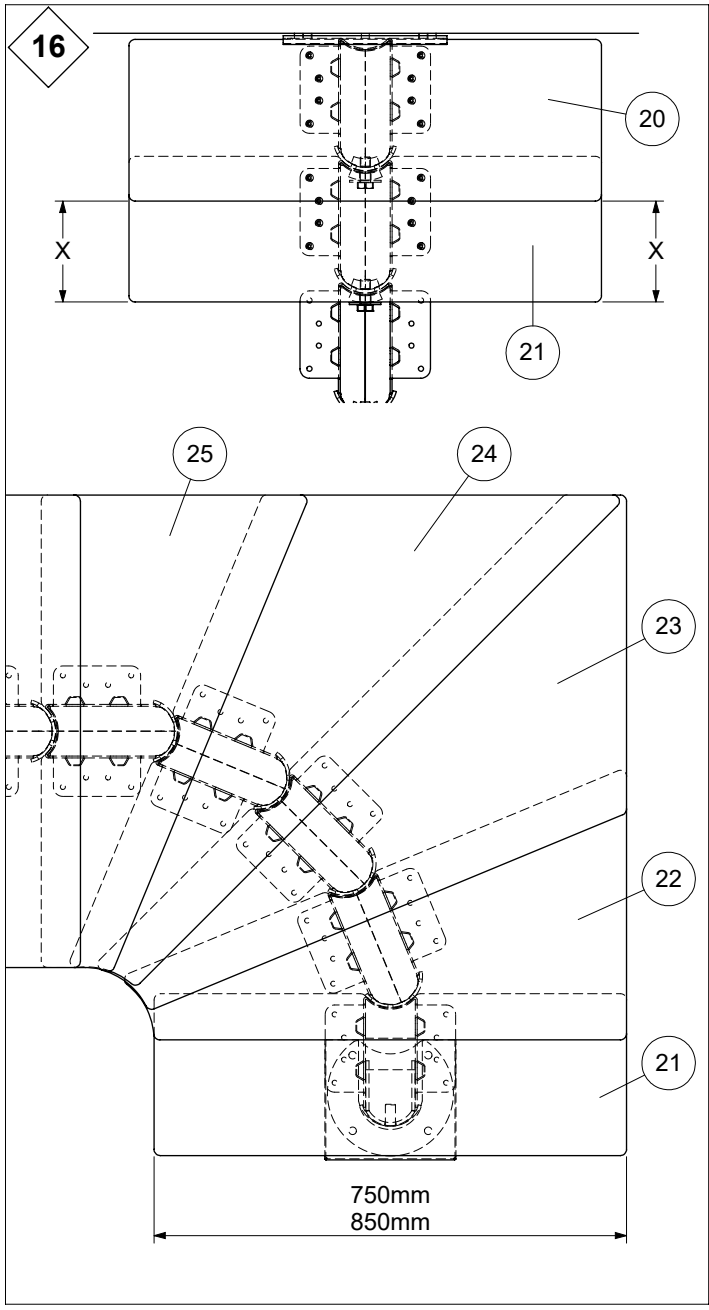


14



15







18

|          |                                                                                                                                                                                                                   |
|----------|-------------------------------------------------------------------------------------------------------------------------------------------------------------------------------------------------------------------|
| <b>I</b> | Mounting of wallbrackets is optional<br>Die Montage von Wandhalterungen ist optional<br>Montage van muurbeugels is optioneel<br>Le montage de supports muraux est facultatif<br>Montering af vægbeslag er valgfri |
| <b>L</b> | 2 wall brackets in position A or B<br>2 Wandhalterungen in der Position A oder B<br>2 muurbeugels in positie A of B<br>2 supports mural dans la position A ou B<br>2 vægbeslag i position A eller B               |
| <b>U</b> | 4 wall brackets in position A or B<br>4 Wandhalterungen in der Position A oder B<br>4 muurbeugels in positie A of B<br>4 supports mural dans la position A ou B<br>4 vægbeslag i position A eller B               |



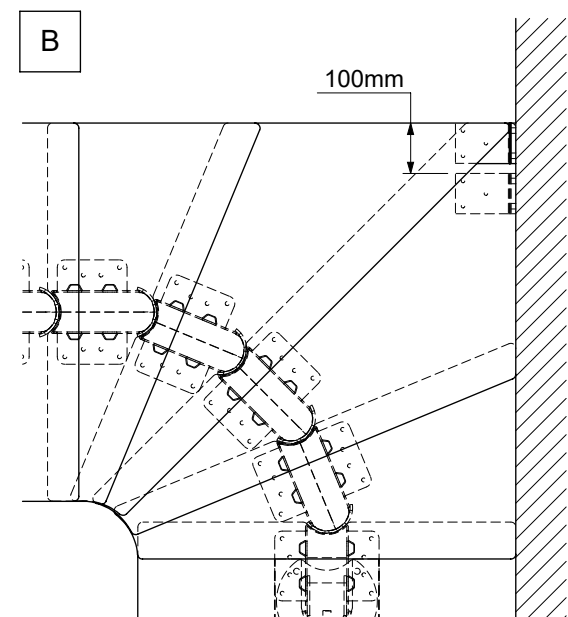
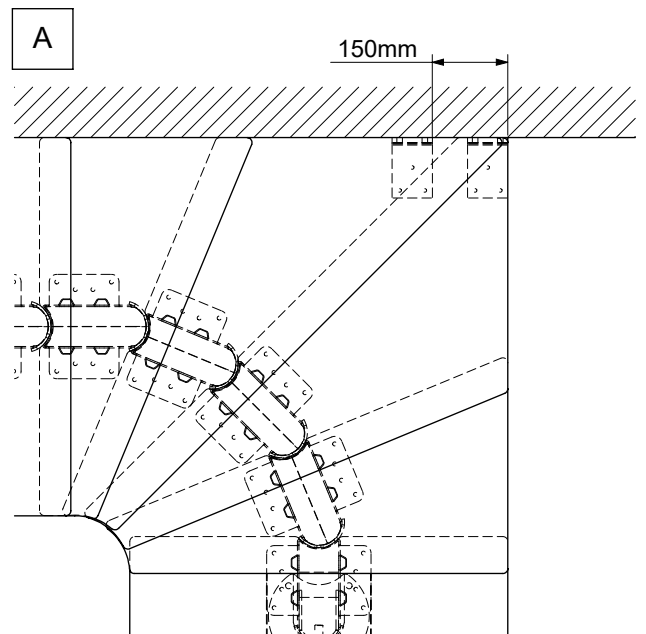
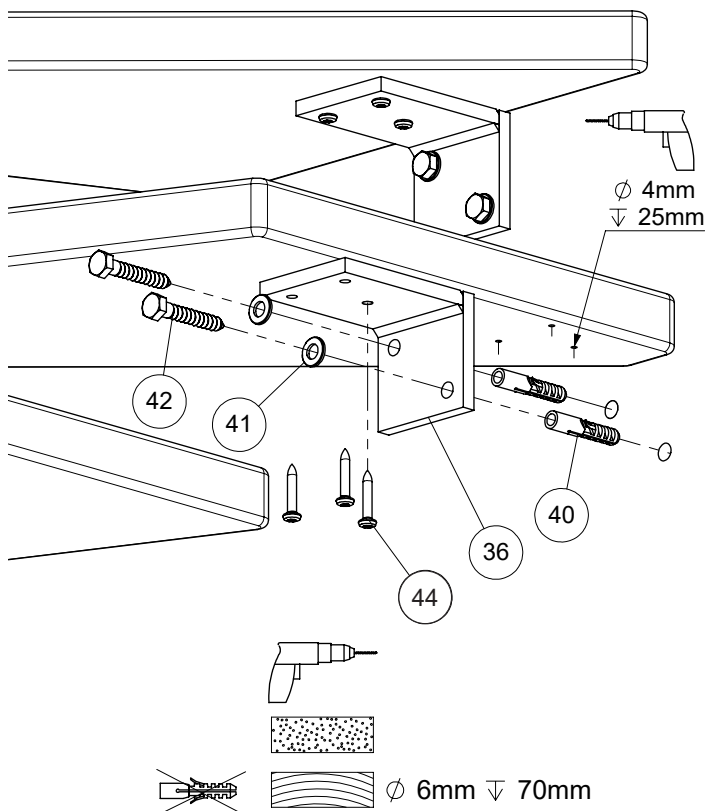
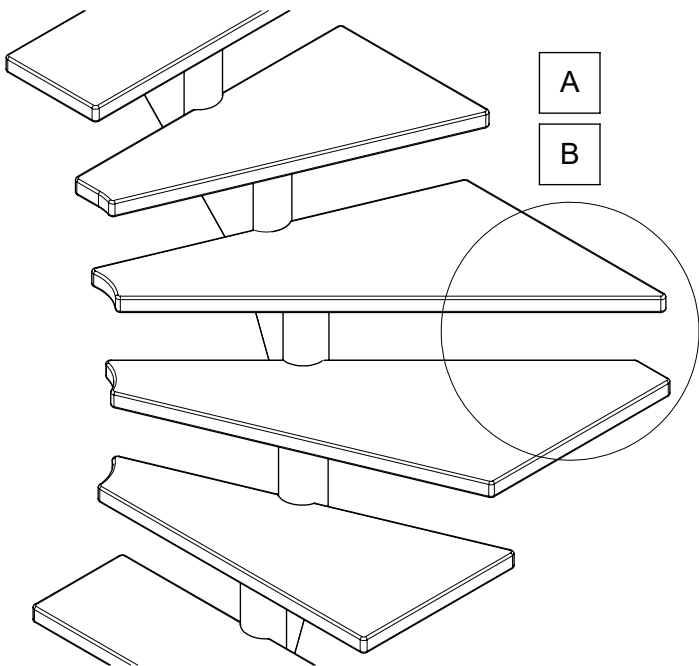
2 wall brackets must be mounted on a 1/4 turn or 4 on a 1/2 turn staircase.

2 Wandhalterungen müssen auf einer 1/4-gewendelten oder 4 auf einer 1/2-gewendelten Treppe montiert werden.

2 muurbeugels moeten gemonteerd worden op een 1/4 draai of 4 op een 1/2 draai trap.

2 supports mural doivent être monté sur un escalier 1/4 ou 4 sur un escalier 1/2 tournant.

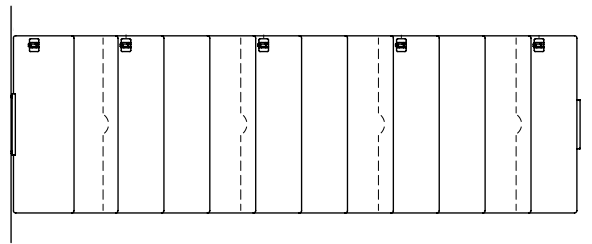
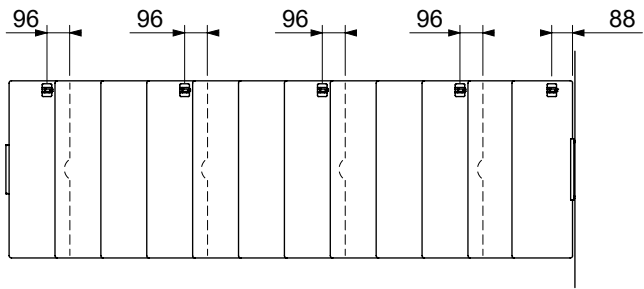
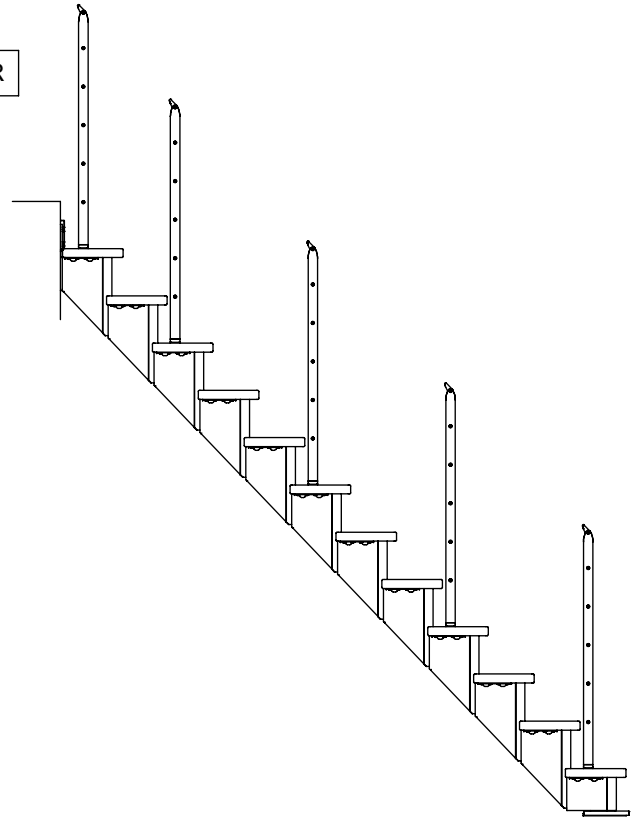
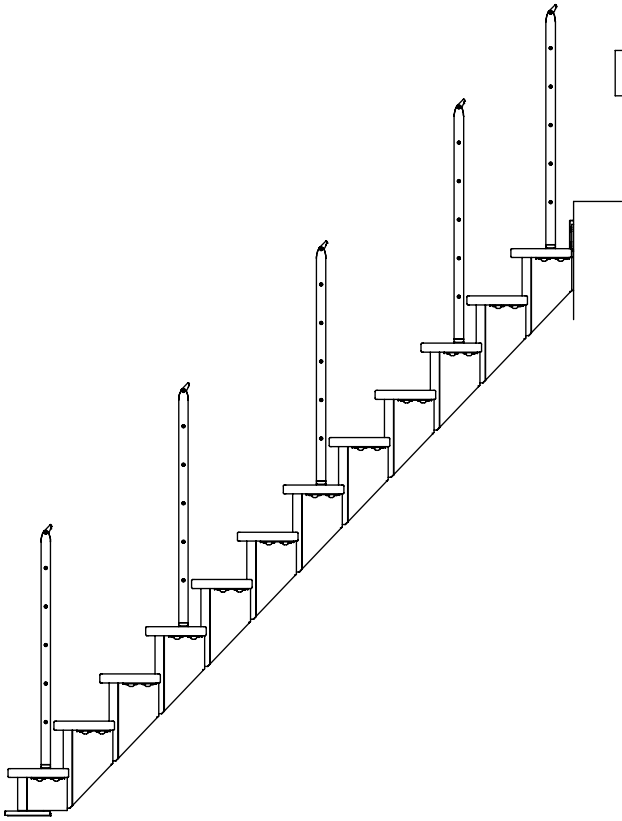
2 væginkler er påkrævet i en 1/4-svings- eller 4 i en 1/2-svings-trappe.



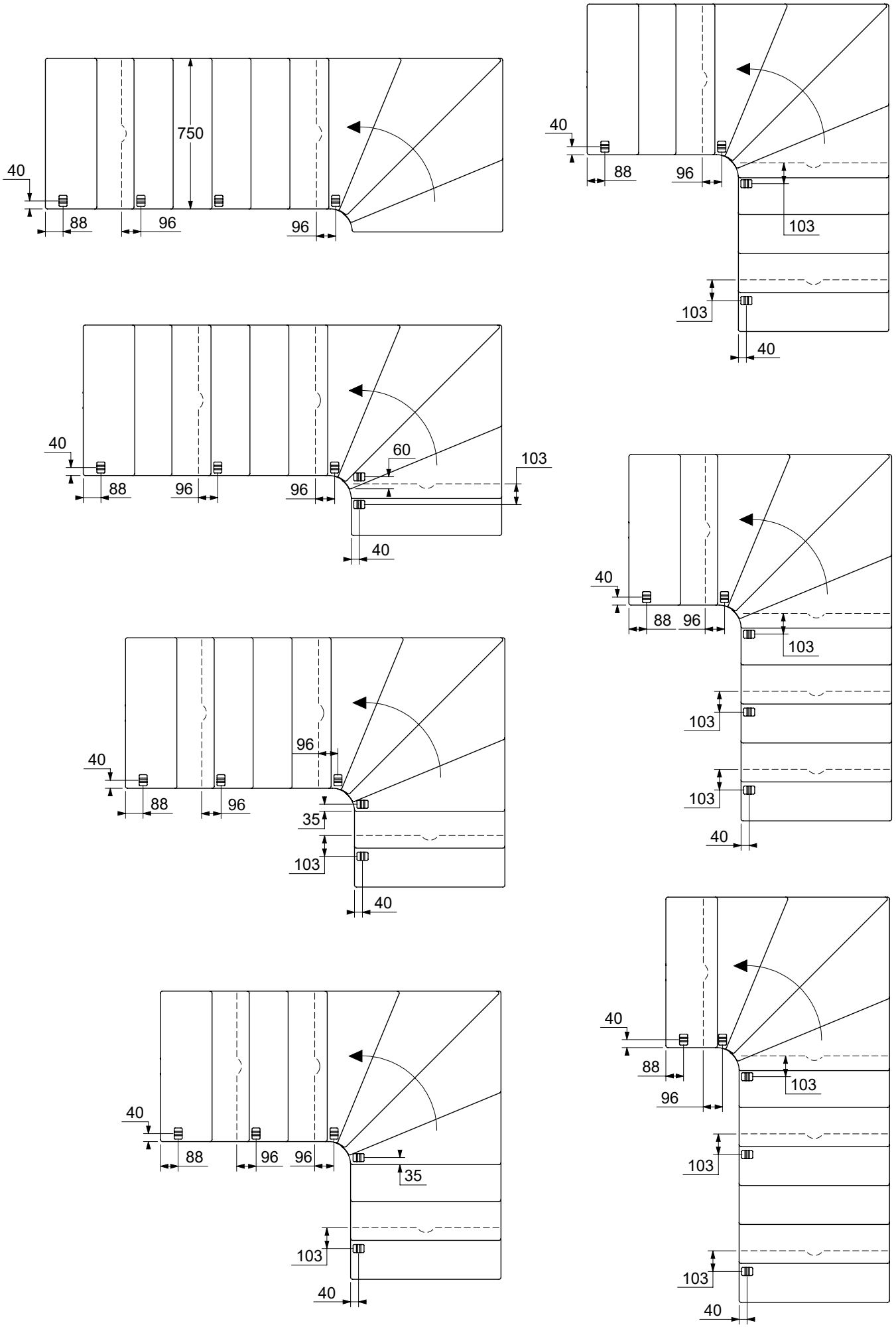


L

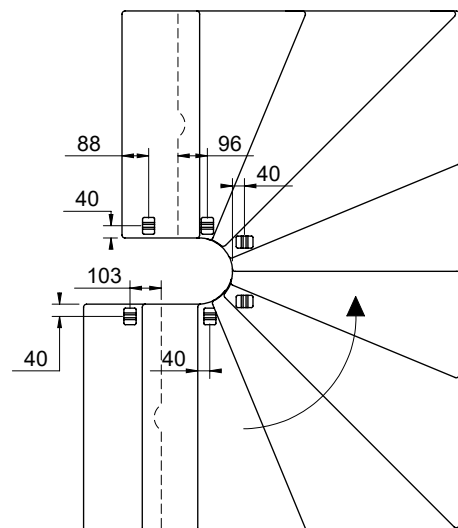
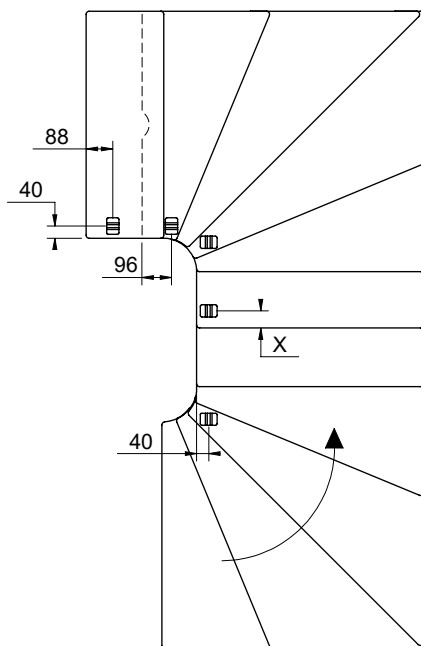
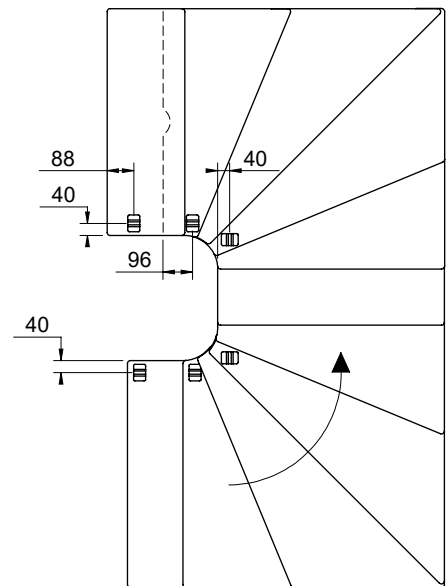
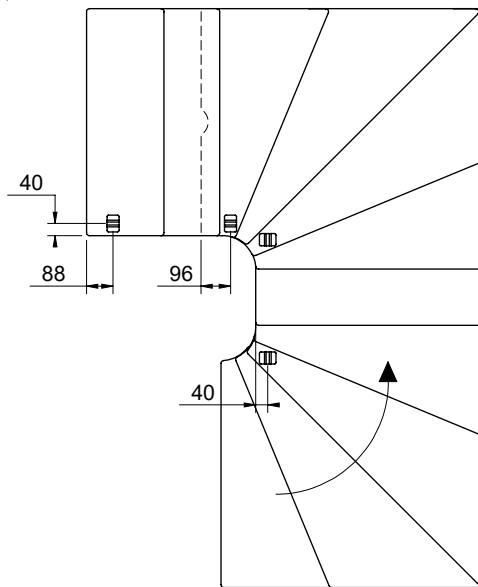
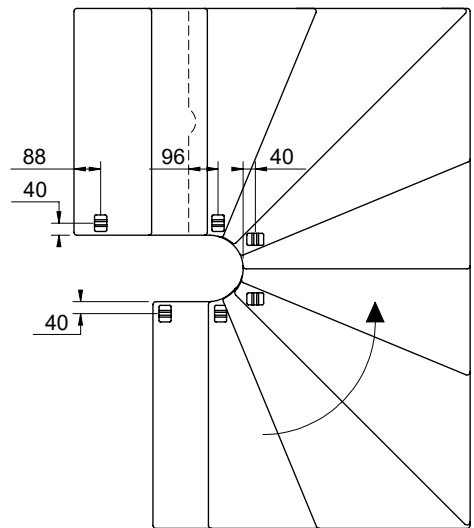
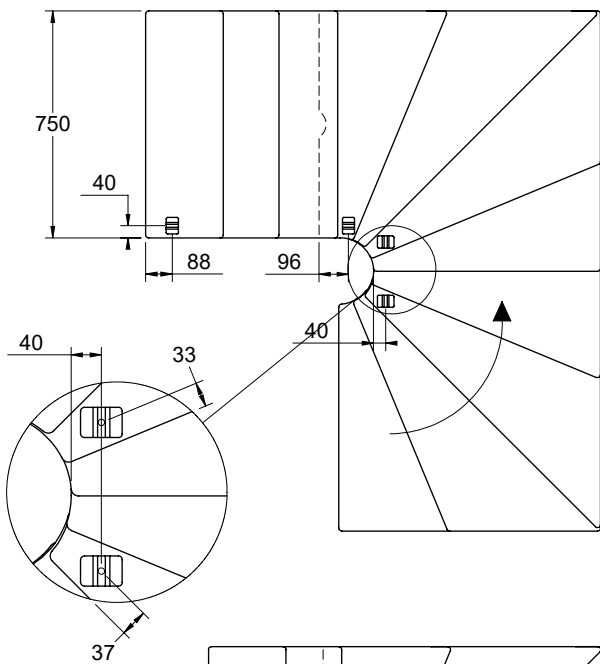
R



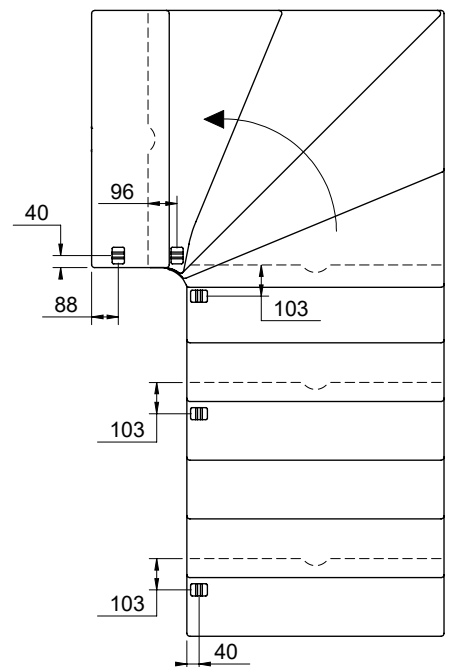
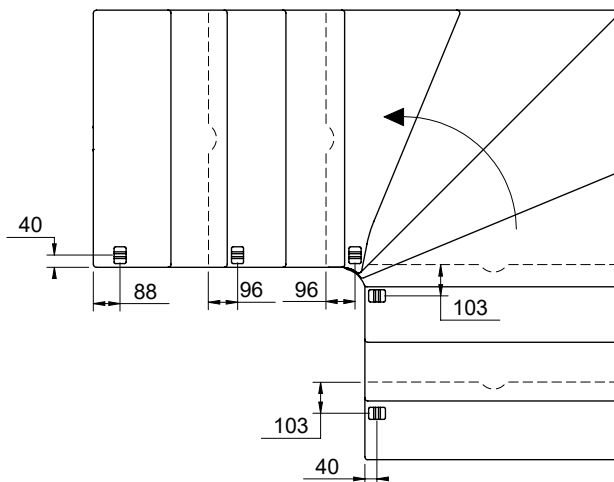
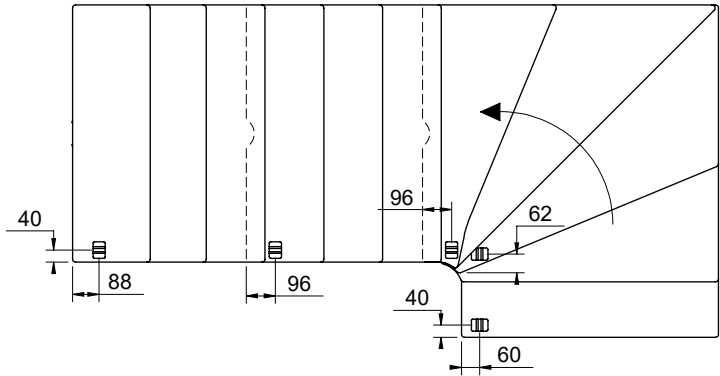
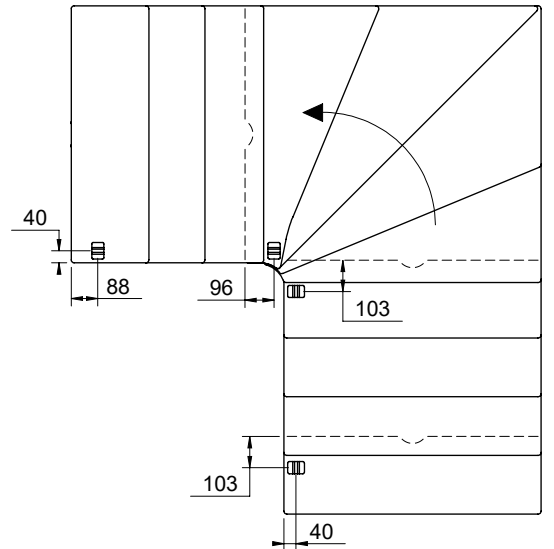
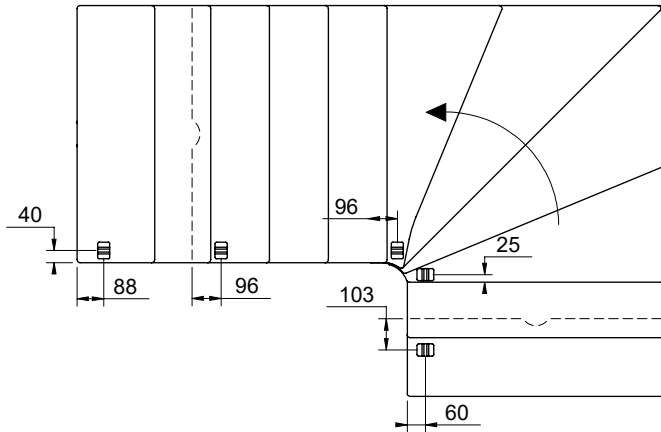
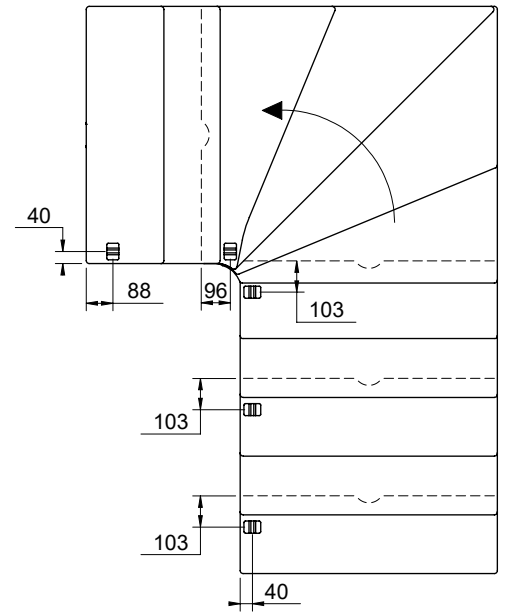
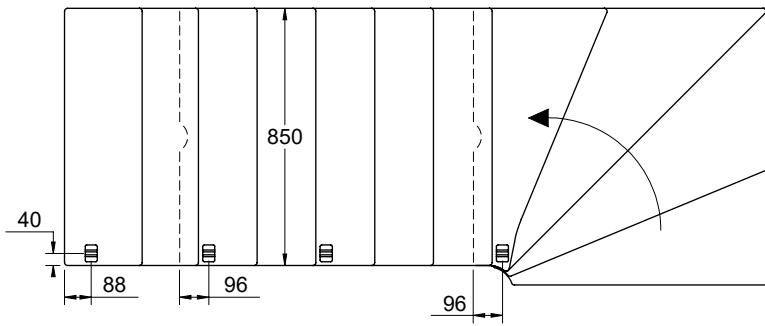
L 750 mm



# U 750 mm



# L 850 mm



# U 850 mm

