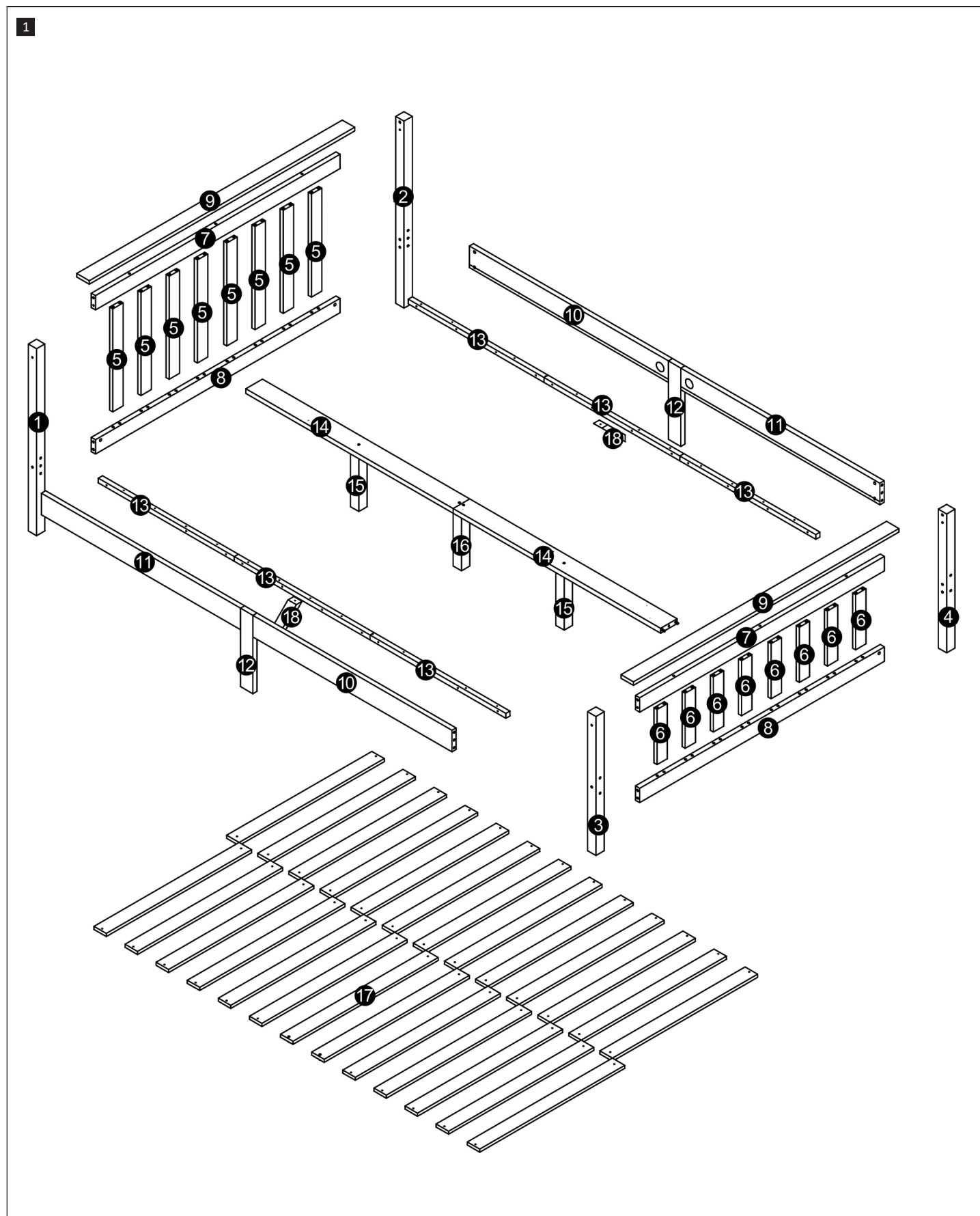
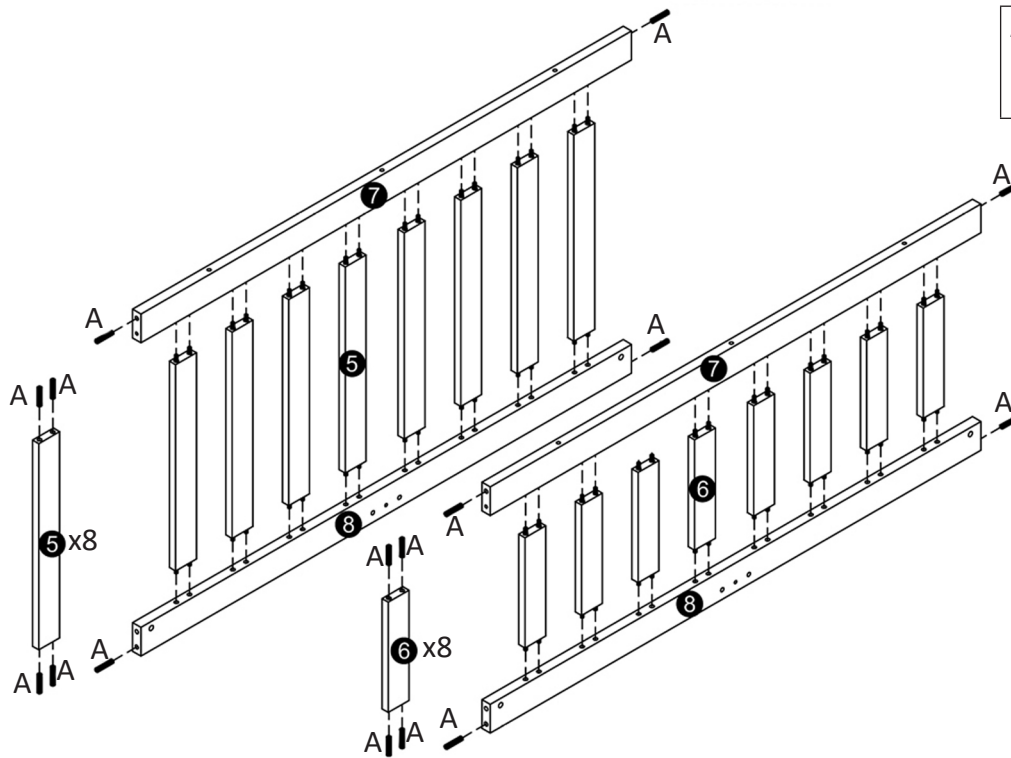


Ax90 M8x $\frac{30}{1.2}$	Bx80 M4x $\frac{30}{1.2}$	Cx12 M6x $\frac{80}{3.2}$	Dx4 M6x $\frac{80}{3.2}$	Ex6 M6x $\frac{70}{2.8}$	
Fx12 	Gx1 	Hx2 M6x $\frac{140}{5.5}$	Ix4 	Jx4 	
Kx1 	Lx4 	Mx6 M6x $\frac{60}{2.4}$	1 x1 	2 x1 	
3 x1 	4 x1 	5 x8 	6 x8 	7 x2 	
8 x2 	9 x2 	10 x2 	11 x2 	12 x2 	
13 x6 	14 x2 	15 x2 	16 x1 	17 x26 	18 x2
				 mm inch x2	



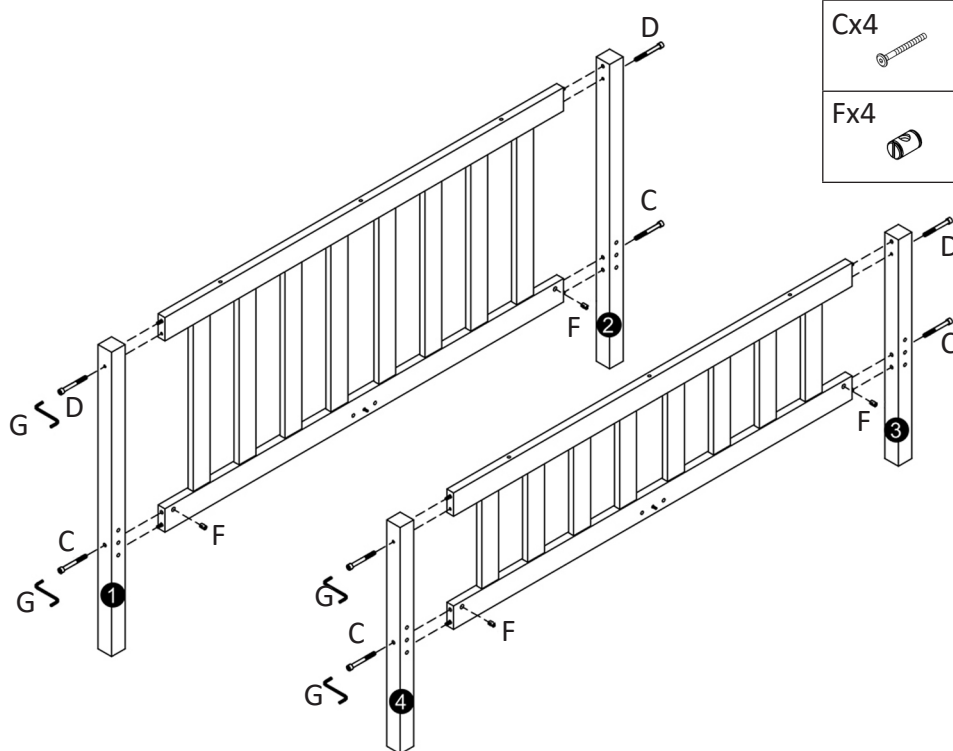
2



Ax72

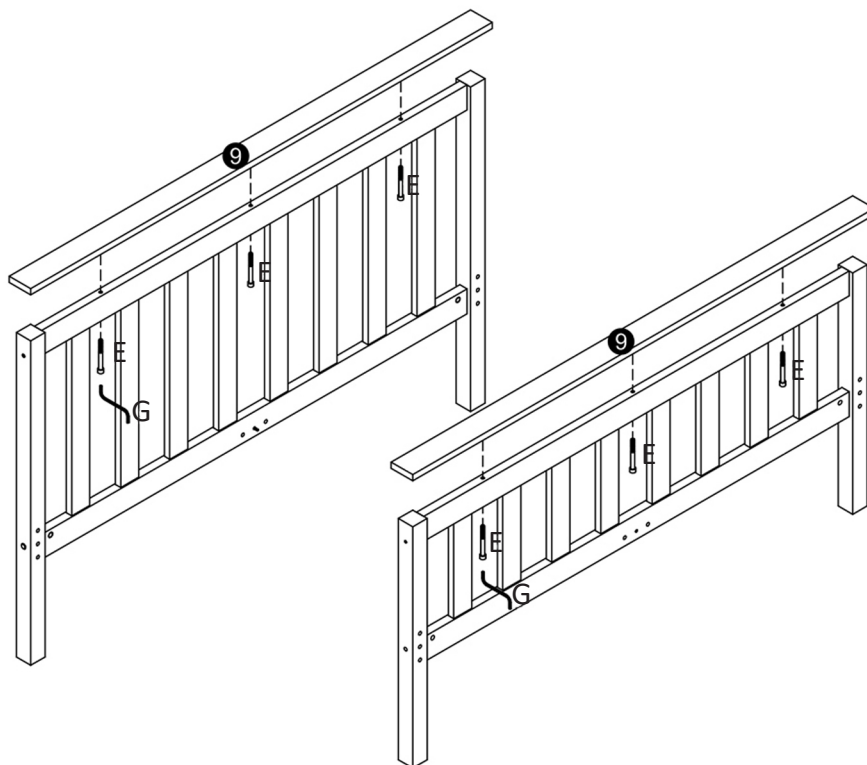


3



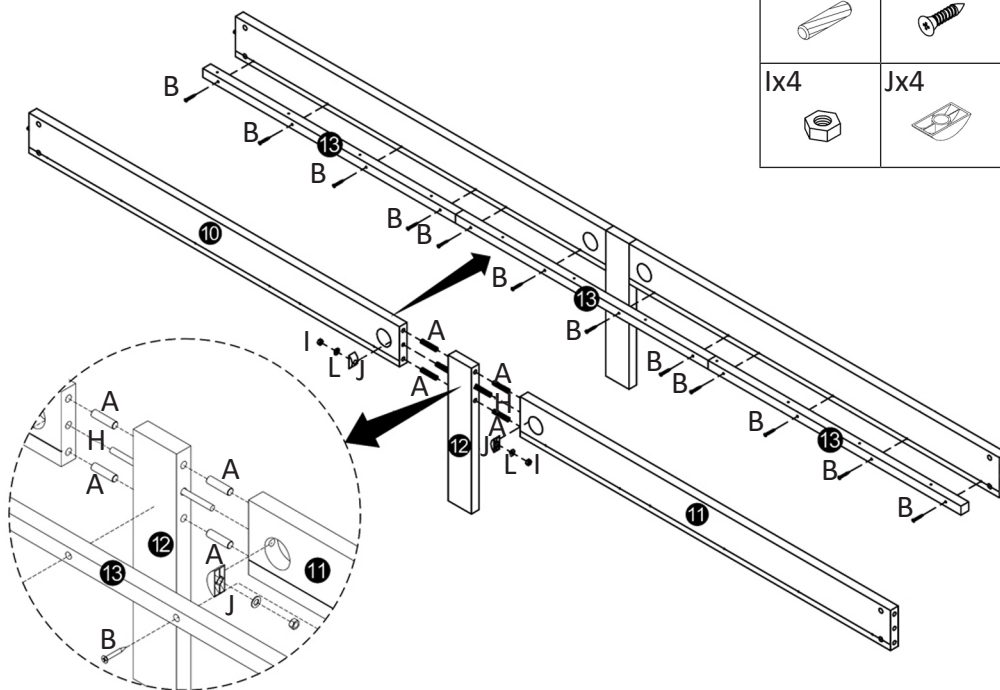
Cx4	Dx4
Fx4	Gx1

4



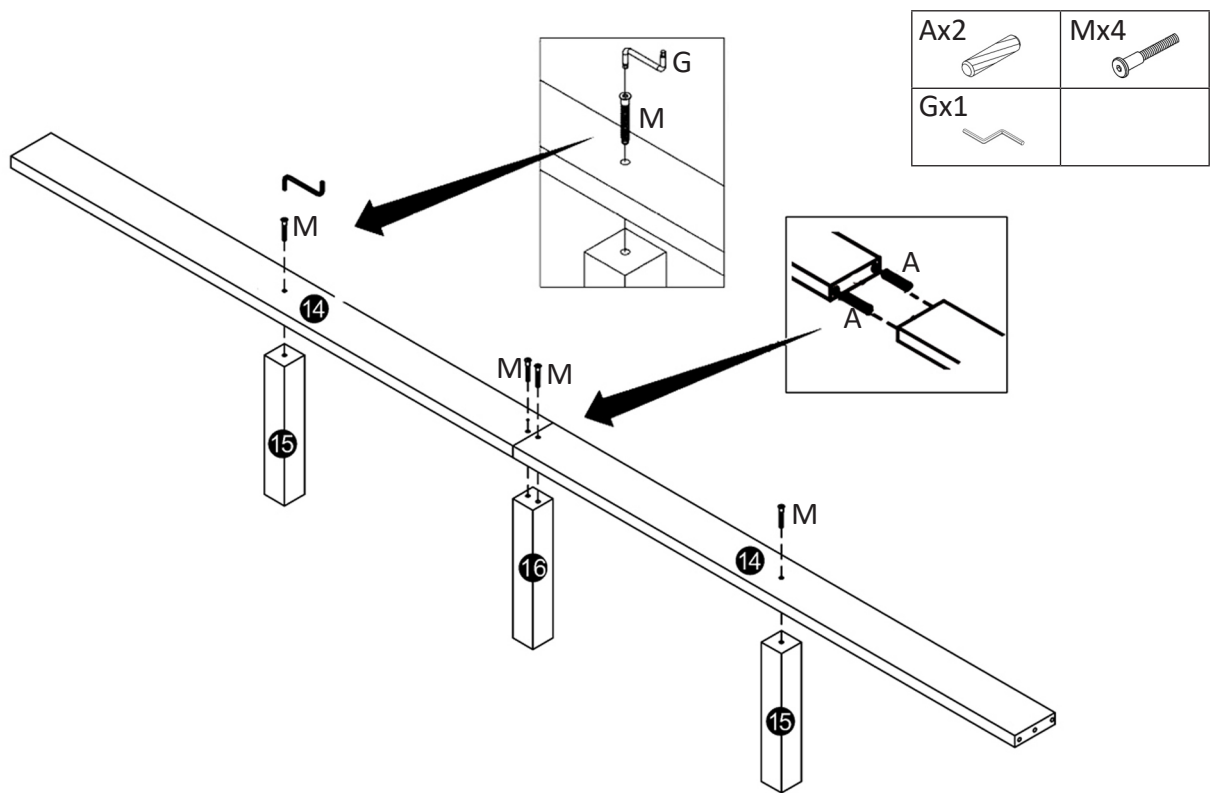
Ex6	Gx1

5x2

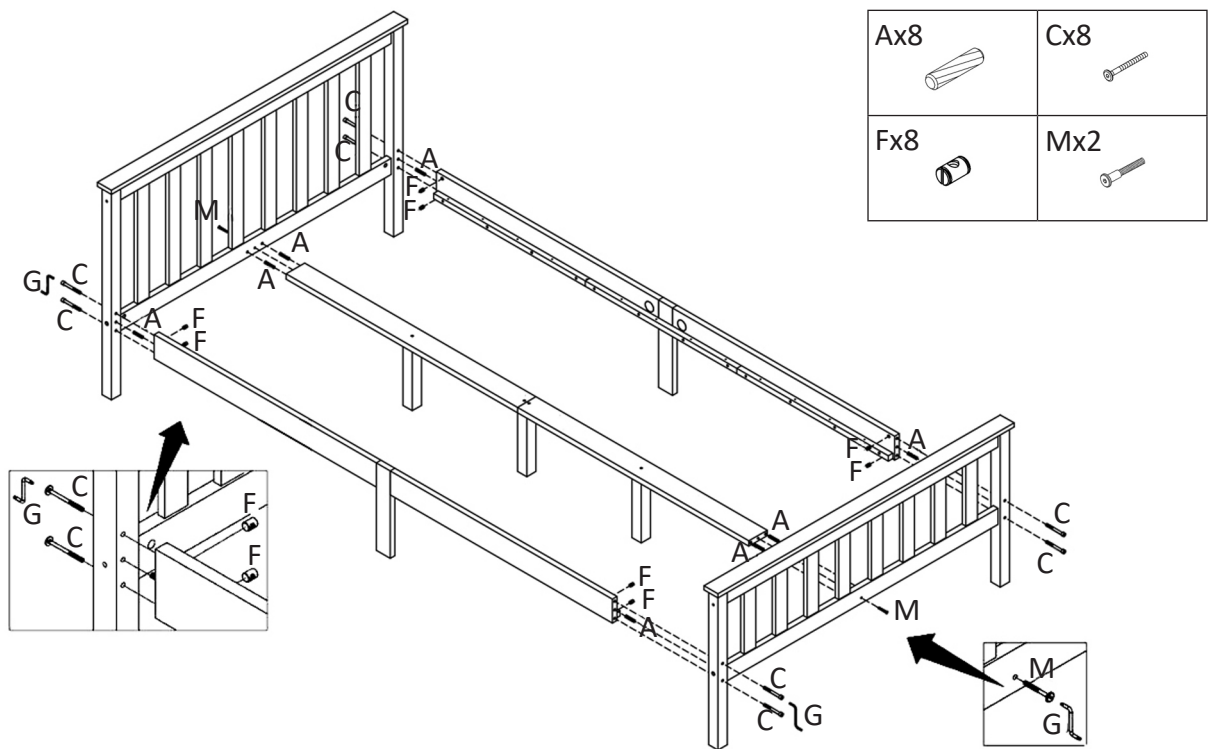


Ax8	Bx24	Hx2
Ix4	Jx4	Lx4

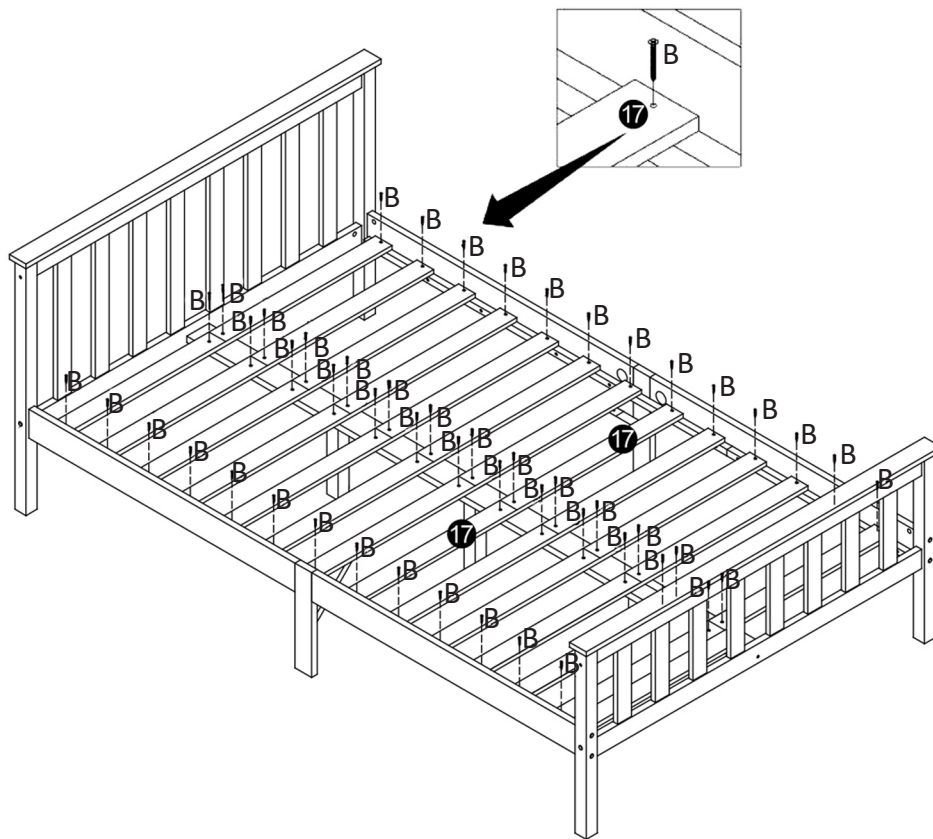
6



7



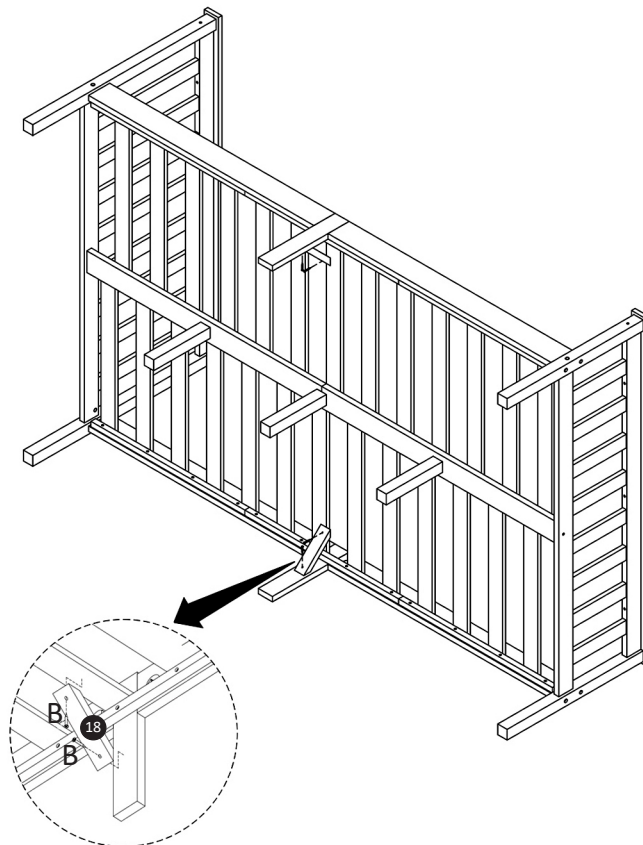
8



Bx52



9



Bx4

