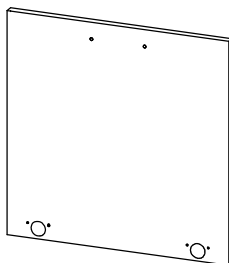
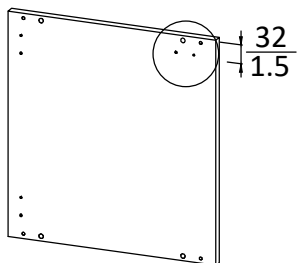
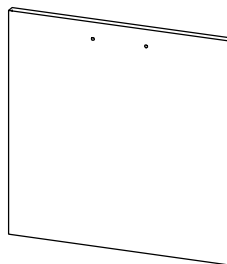


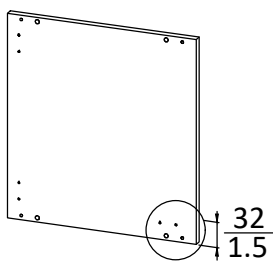
Ax2



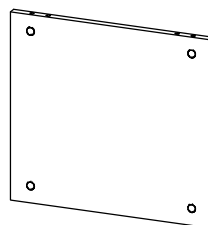
Bx2



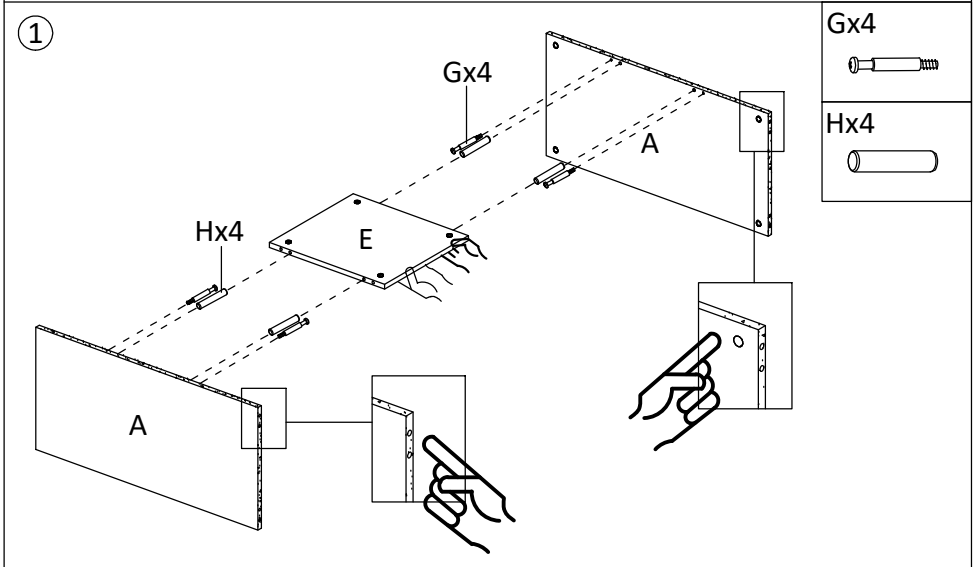
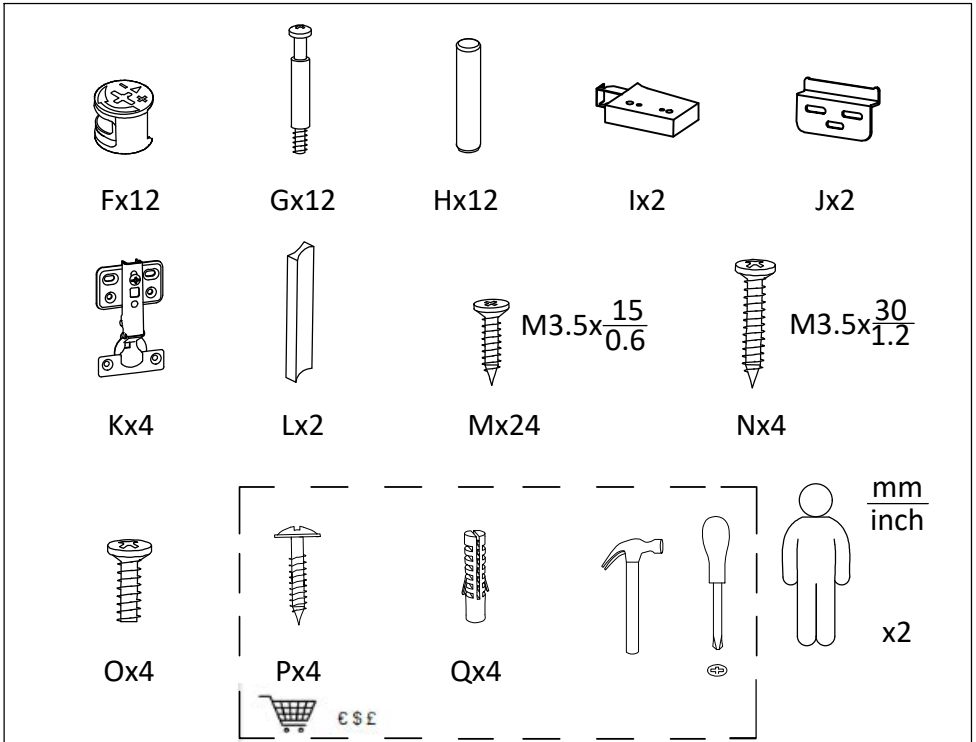
Cx1

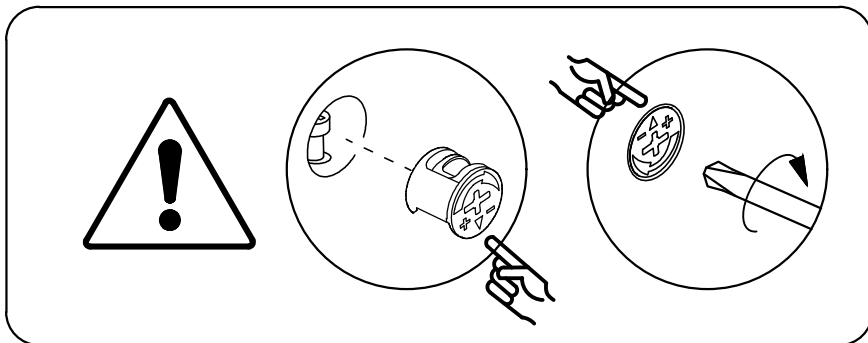


Dx1



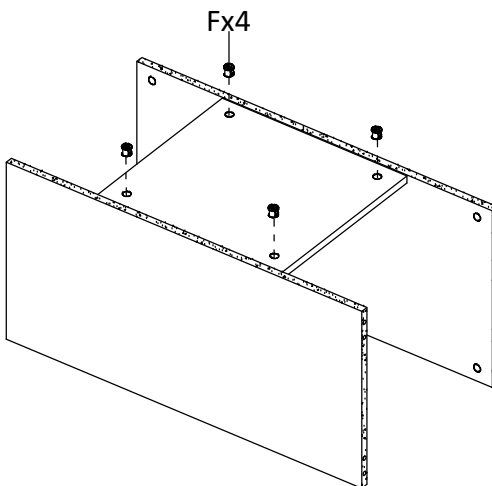
Ex1

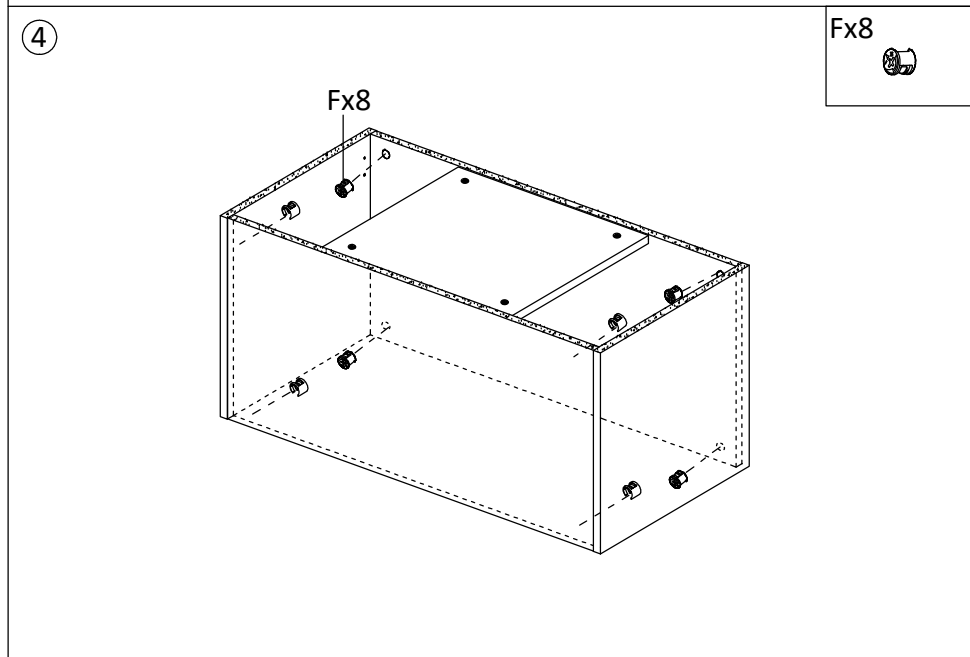
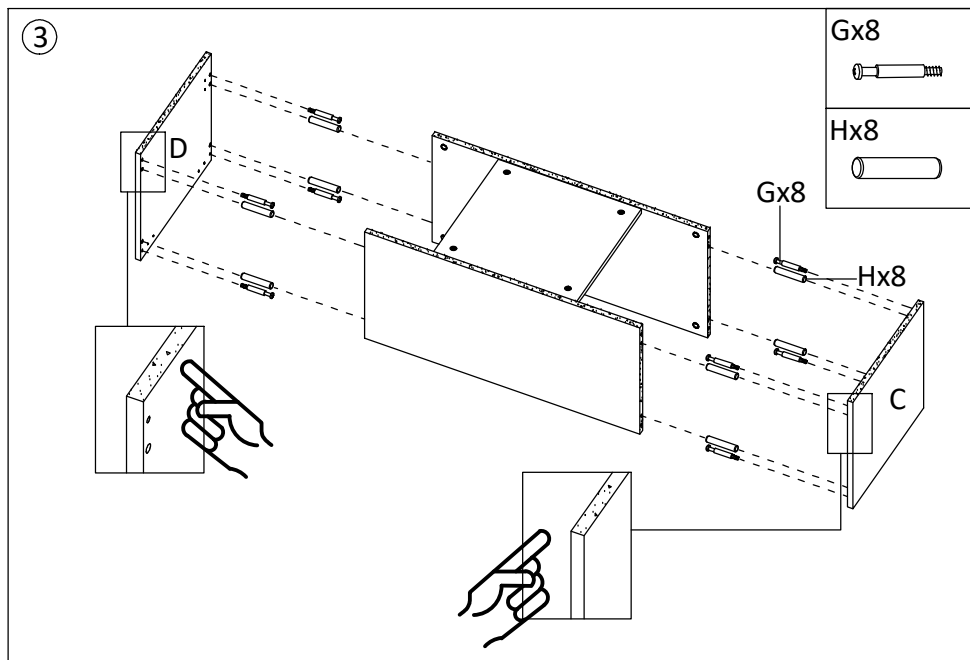




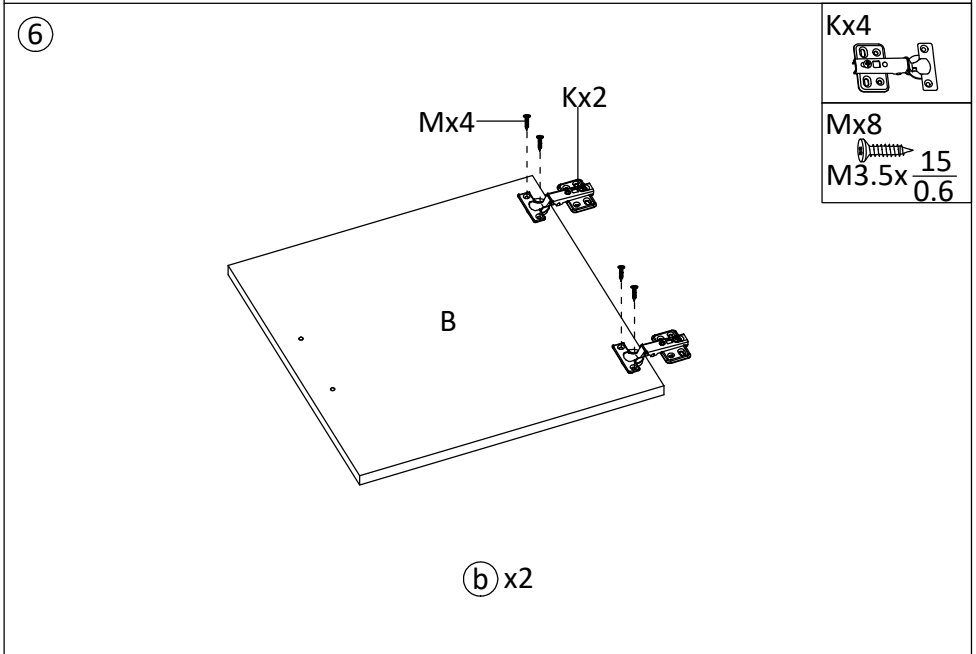
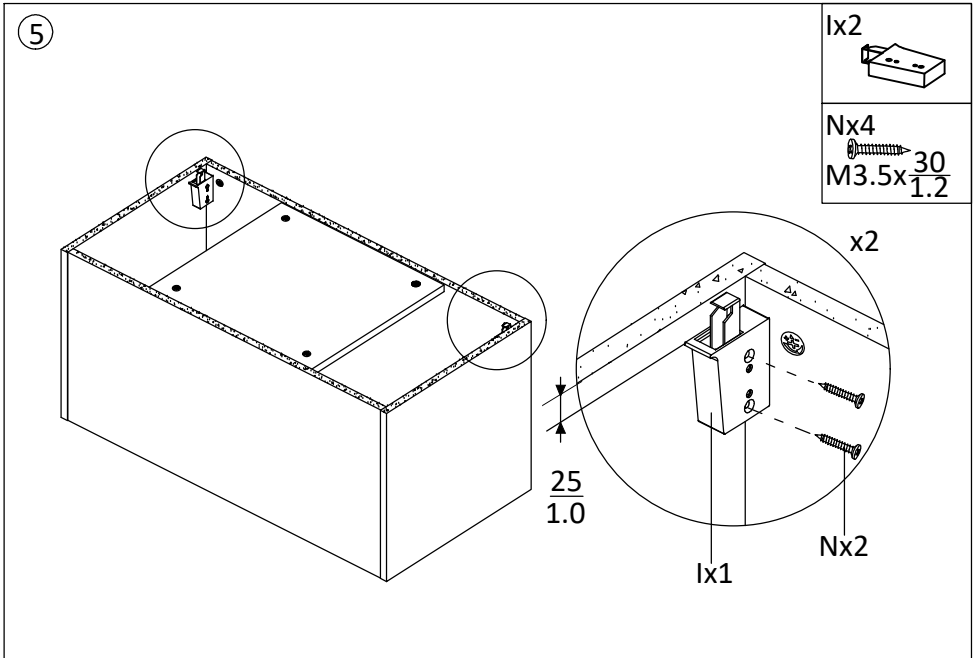
2

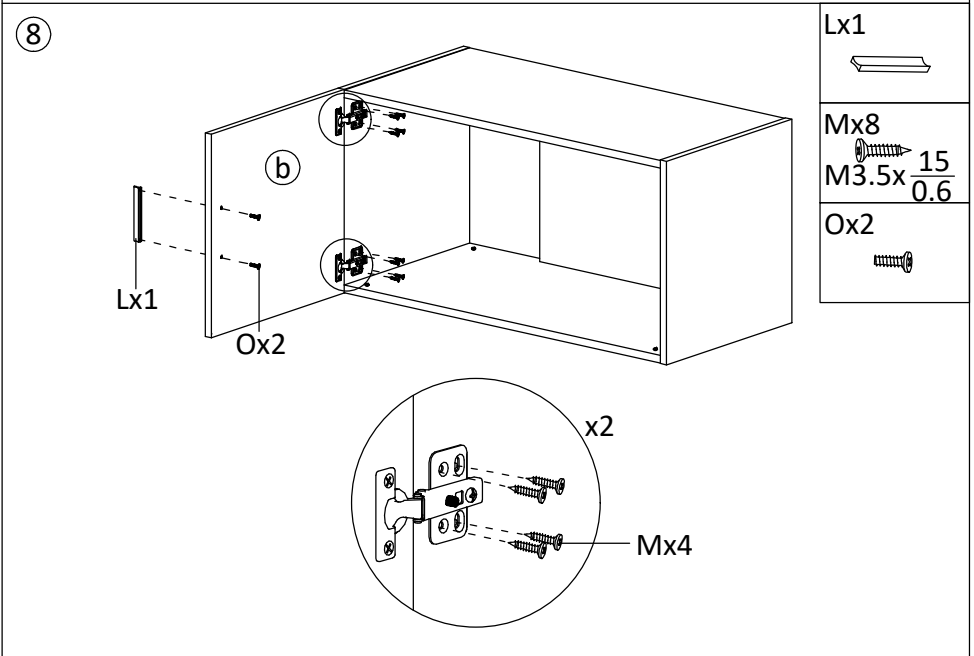
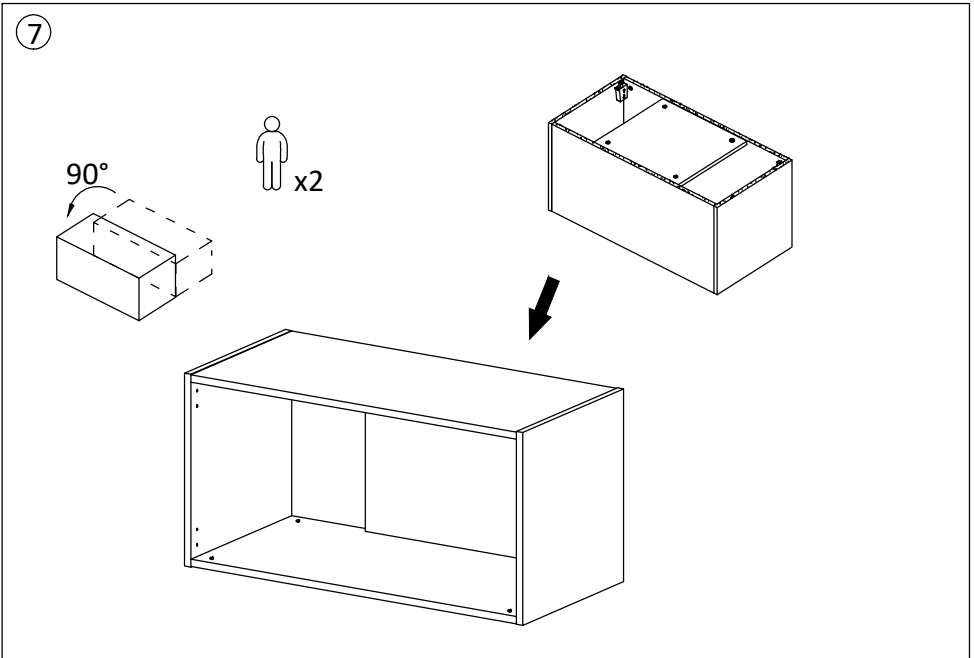
Fx4

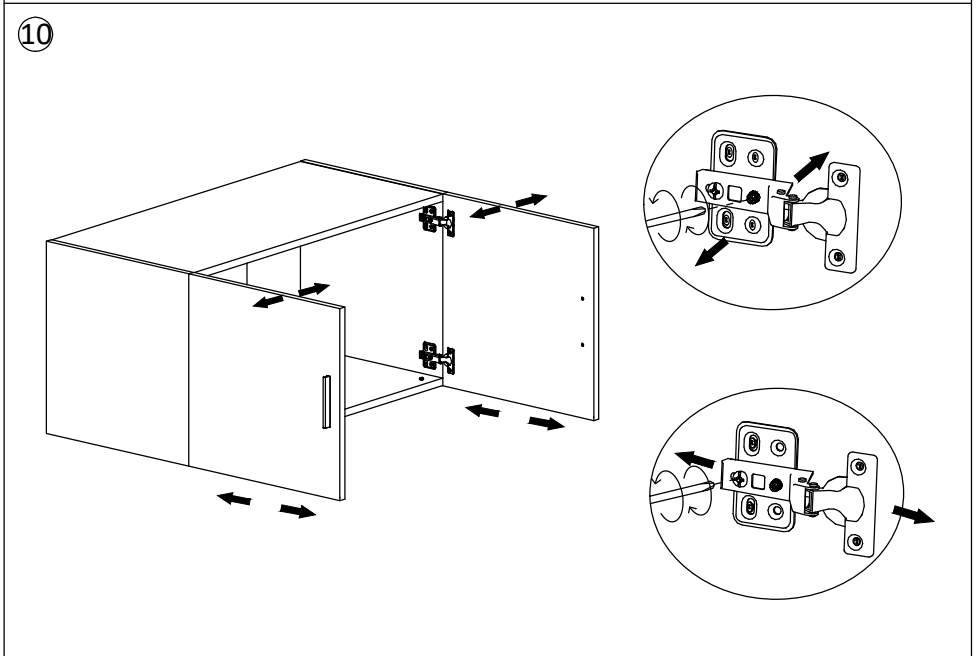
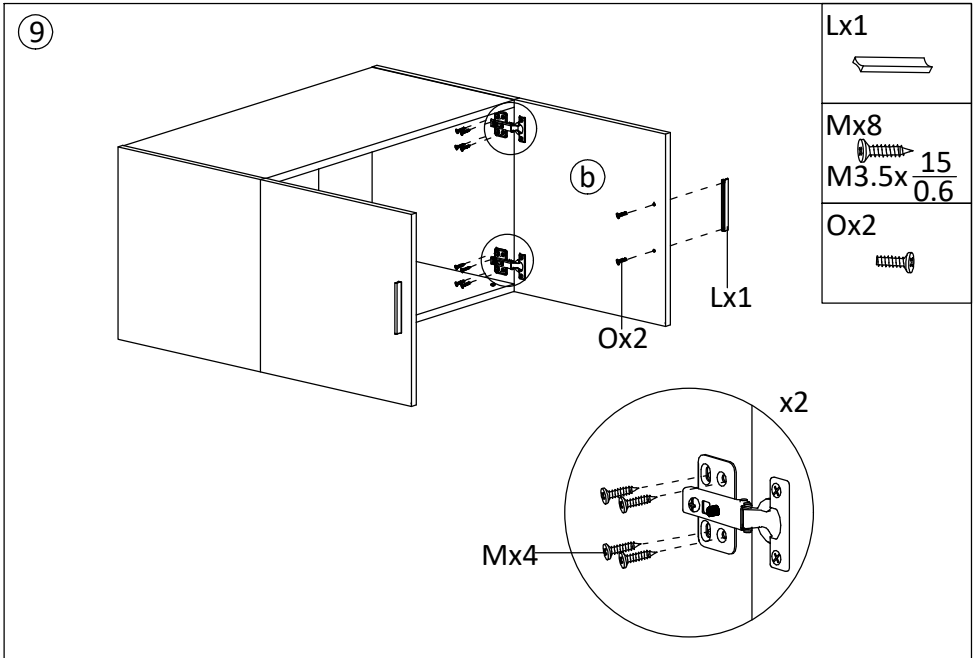




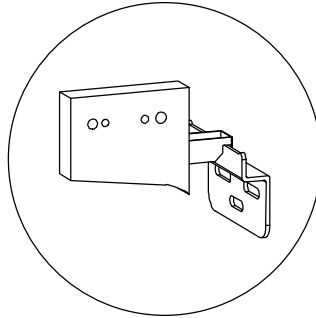
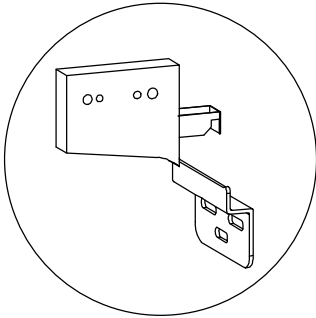








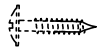
11



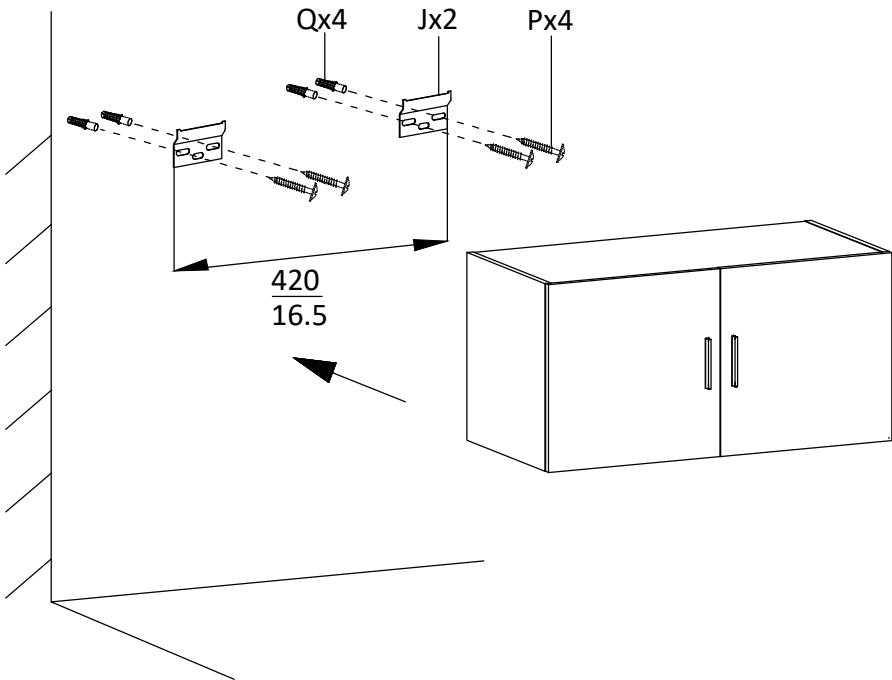
Jx2



Px4



Qx4



12

