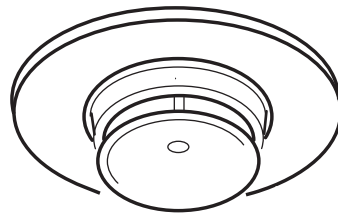
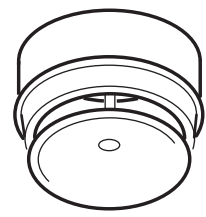


KTS

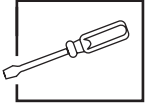
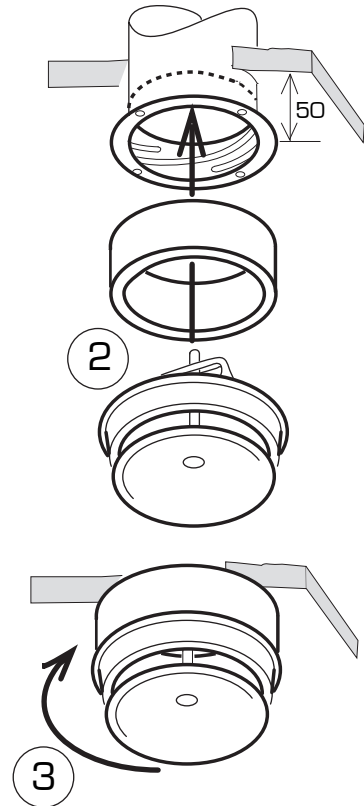
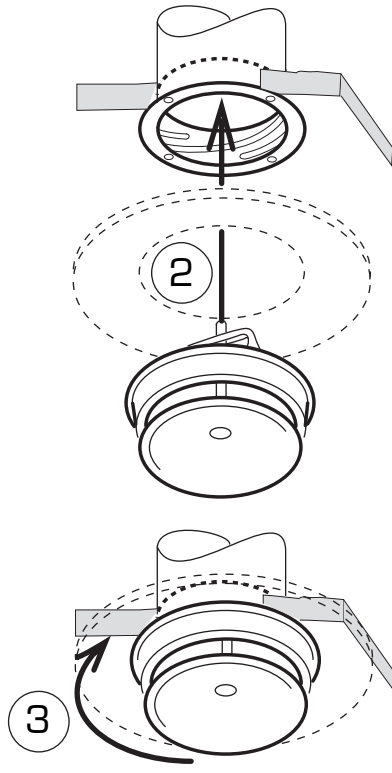
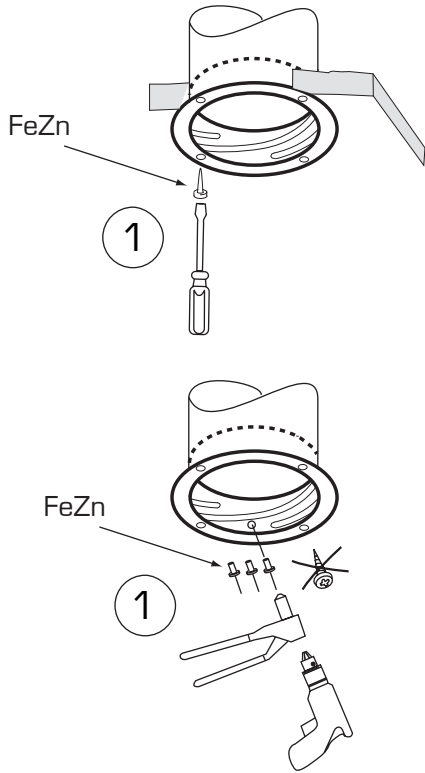


KTS+SL

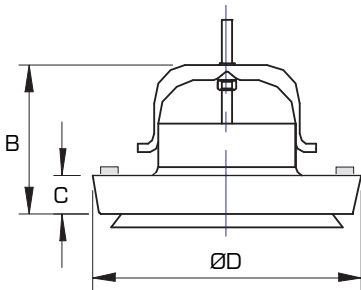


KTS+KR

KTS

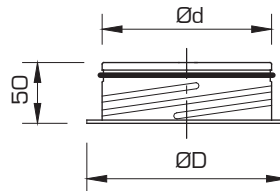


KTS

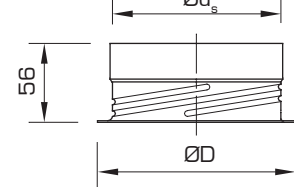


KTS	ØD	B	C
100	143	67	17
125	173	76	18
160	216	80	19

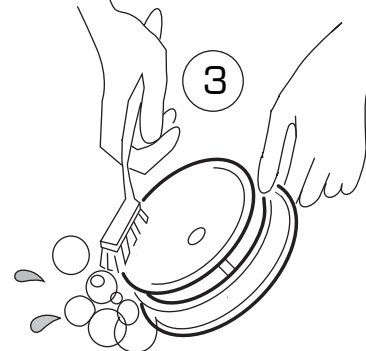
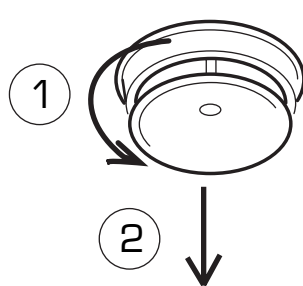
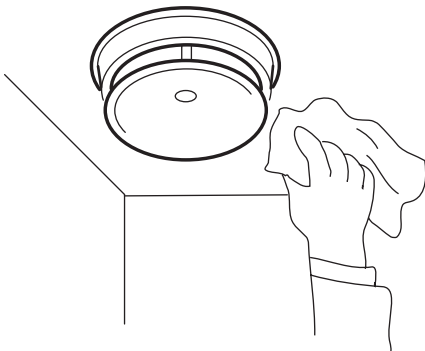
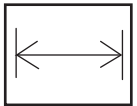
KKT, KKL

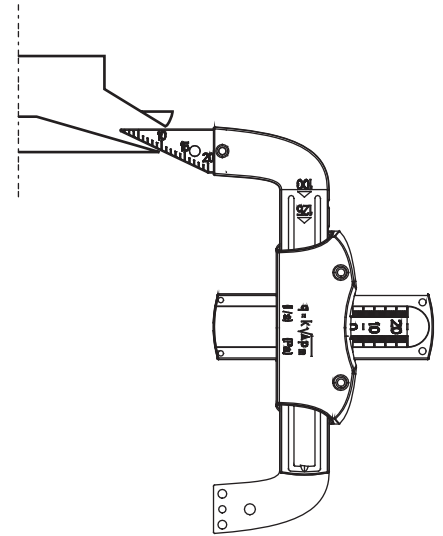
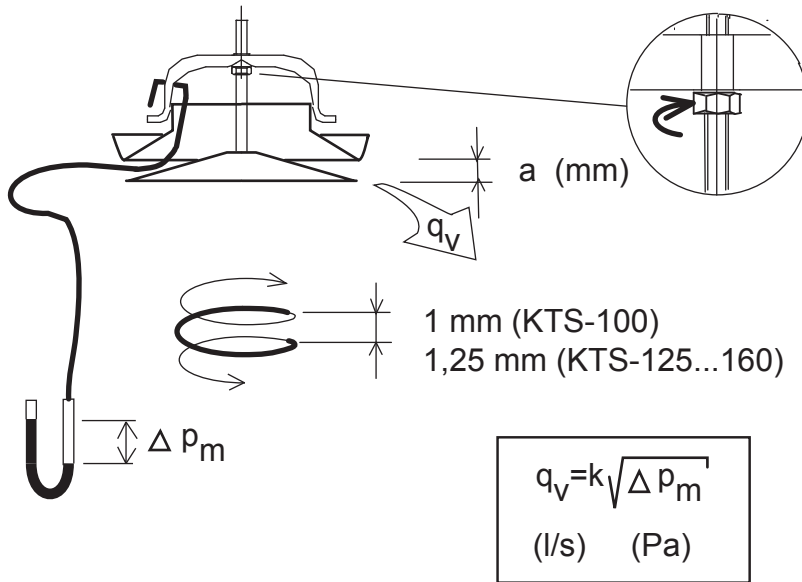
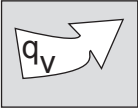


KKU



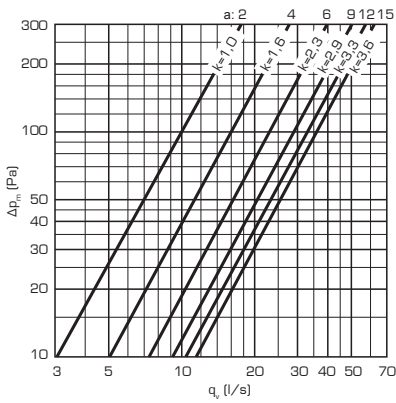
KKT/KKL/KKU	Ød	ØD	Ød _s
100	99	122	100
125	124	148	125
160	159	184	160





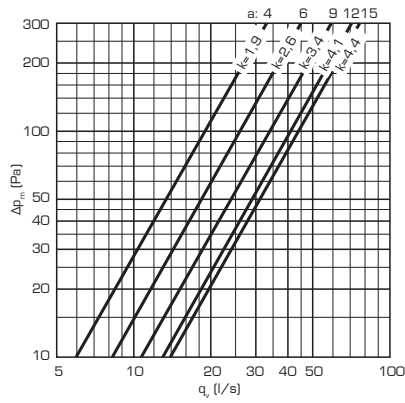
KTS-100

RakMK E7: 6.1
max s = 12 mm

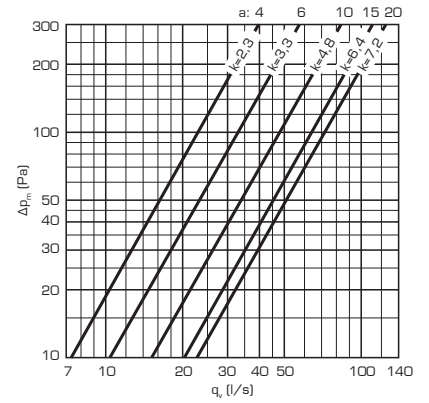


KTS-125

RakMK E7: 6.1
max s = 8 mm

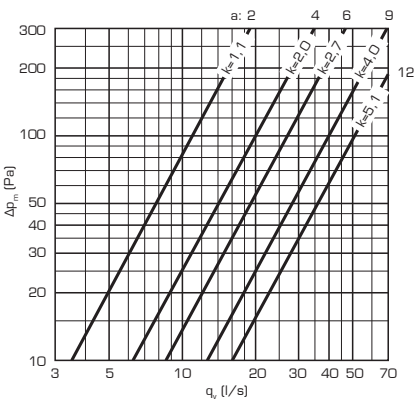


KTS-160



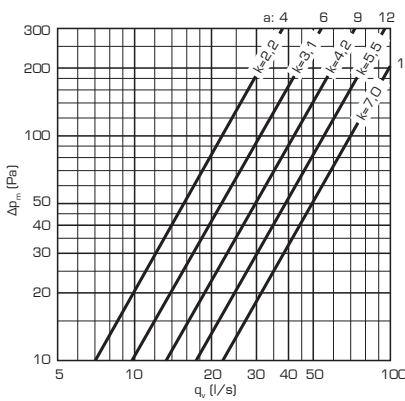
KTS-100

RakMK E7: 6.1
max s = 12 mm



KTS-125

RakMK E7: 6.1
max s = 8 mm



KTS-160

