

STYLE:

smart

Magia50

magia®
fontanot



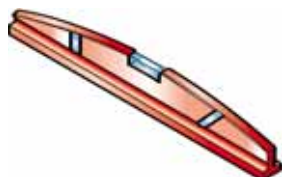


[http:// www.fontanot.it](http://www.fontanot.it)

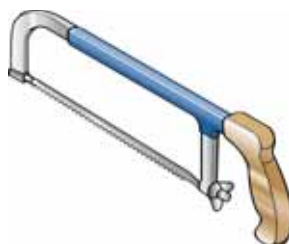
Copyright by Albini & Fontanot S.p.A., first publication april 4, 2011



Magia50



2,5 mm
3 mm
5 mm
12 mm



PH 2



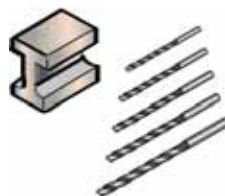
Ø 8 x 120 mm
Ø 12 x 120 mm
Ø 14 x 150 mm



13 mm
17 mm
19 mm
30 mm



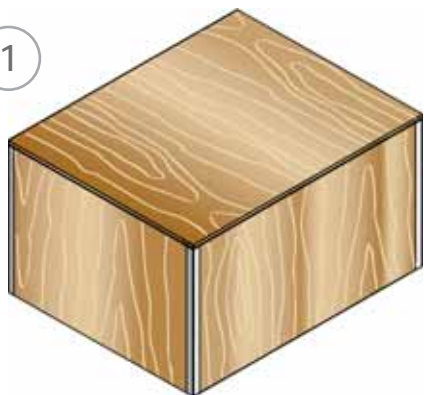
12 mm
13 mm



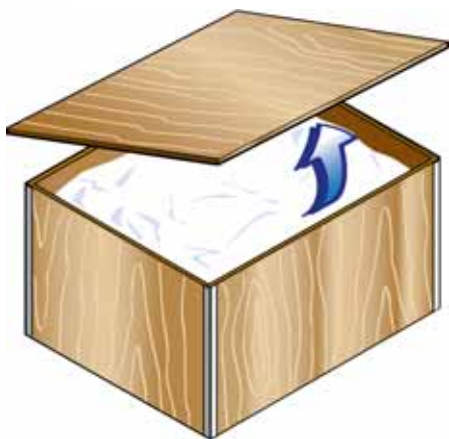
Ø 2,5 mm
Ø 3,5 mm
Ø 4,5 mm
Ø 9 mm
Ø 12 mm



1



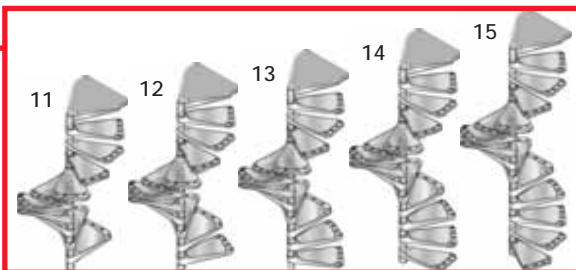
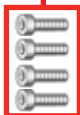
2



3



| | | | | |
|----|----|----|----|----|
| 11 | 12 | 13 | 14 | 15 |
| 1 | 2 | 2 | 4 | 5 |



A22

Ø 45 x 1200 mm

| | 11 | 12 | 13 | 14 | 15 |
|-------|----|----|----|----|----|
| Ø 110 | 4 | 5 | 5 | 6 | 6 |
| Ø 130 | 4 | 5 | 5 | 6 | 6 |
| Ø 150 | 4 | 5 | 5 | 6 | 6 |

A23

| | 11 | 12 | 13 | 14 | 15 |
|-------|----|----|----|----|----|
| Ø 110 | 1 | 1 | 1 | 1 | 1 |
| Ø 130 | 1 | 1 | 1 | 1 | 1 |
| Ø 150 | 1 | 1 | 1 | 1 | 1 |

A36

| | 11 | 12 | 13 | 14 | 15 |
|-------|----|----|----|----|----|
| Ø 110 | 2 | 2 | 2 | 2 | 2 |
| Ø 130 | 2 | 2 | 2 | 2 | 2 |
| Ø 150 | 2 | 2 | 2 | 2 | 2 |

A37

| | 11 | 12 | 13 | 14 | 15 |
|-------|----|----|----|----|----|
| Ø 110 | 3 | 3 | 3 | 3 | 3 |
| Ø 130 | 3 | 3 | 3 | 3 | 3 |
| Ø 150 | 3 | 3 | 3 | 3 | 3 |

B03

| | 11 | 12 | 13 | 14 | 15 |
|-------|----|----|----|----|----|
| Ø 110 | 1 | 1 | 1 | 1 | 1 |
| Ø 130 | 1 | 1 | 1 | 1 | 1 |
| Ø 150 | 1 | 1 | 1 | 1 | 1 |

B04

| | 11 | 12 | 13 | 14 | 15 |
|-------|----|----|----|----|----|
| Ø 110 | 1 | 1 | 1 | 1 | 1 |
| Ø 130 | 1 | 1 | 1 | 1 | 1 |
| Ø 150 | 1 | 1 | 1 | 1 | 1 |

B05

| | 11 | 12 | 13 | 14 | 15 |
|-------|----|----|----|----|----|
| Ø 110 | 1 | 1 | 1 | 1 | 1 |
| Ø 130 | 1 | 1 | 1 | 1 | 1 |
| Ø 150 | 1 | 1 | 1 | 1 | 1 |

B11

| | 11 | 12 | 13 | 14 | 15 |
|-------|----|----|----|----|----|
| Ø 110 | 7 | 7 | 7 | 7 | 7 |
| Ø 130 | 7 | 7 | 7 | 7 | 7 |
| Ø 150 | 10 | 10 | 10 | 10 | 10 |

B12

| | 11 | 12 | 13 | 14 | 15 |
|-------|----|----|----|----|----|
| Ø 110 | 7 | 7 | 7 | 7 | 7 |
| Ø 130 | 7 | 7 | 7 | 7 | 7 |
| Ø 150 | 10 | 10 | 10 | 10 | 10 |

B13

| | 11 | 12 | 13 | 14 | 15 |
|-------|----|----|----|----|----|
| Ø 110 | 5 | 5 | 5 | 5 | 5 |
| Ø 130 | 5 | 5 | 5 | 5 | 5 |
| Ø 150 | 5 | 5 | 5 | 5 | 5 |

B17

| | 11 | 12 | 13 | 14 | 15 |
|-------|----|----|----|----|----|
| Ø 110 | 1 | 1 | 1 | 1 | 1 |
| Ø 130 | 1 | 1 | 1 | 1 | 1 |
| Ø 150 | 1 | 1 | 1 | 1 | 1 |

B23

| | 11 | 12 | 13 | 14 | 15 |
|-------|----|----|----|----|----|
| Ø 110 | 7 | 7 | 7 | 7 | 7 |
| Ø 130 | 8 | 8 | 8 | 8 | 8 |
| Ø 150 | 9 | 9 | 9 | 9 | 9 |

B27

| | 11 | 12 | 13 | 14 | 15 |
|-------|----|----|----|----|----|
| Ø 110 | 7 | 7 | 7 | 7 | 7 |
| Ø 130 | 8 | 8 | 8 | 8 | 8 |
| Ø 150 | 9 | 9 | 9 | 9 | 9 |

B33

| | 11 | 12 | 13 | 14 | 15 |
|-------|----|----|----|----|----|
| Ø 110 | 4 | 5 | 5 | 6 | 6 |
| Ø 130 | 4 | 5 | 5 | 6 | 6 |
| Ø 150 | 4 | 5 | 5 | 6 | 6 |

B36

| | 11 | 12 | 13 | 14 | 15 |
|-------|----|----|----|----|----|
| Ø 110 | 2 | 2 | 2 | 2 | 2 |
| Ø 130 | 2 | 2 | 2 | 2 | 2 |
| Ø 150 | 3 | 3 | 3 | 3 | 3 |

B37

| | 11 | 12 | 13 | 14 | 15 |
|-------|----|----|----|----|----|
| Ø 110 | 2 | 2 | 2 | 2 | 2 |
| Ø 130 | 2 | 2 | 2 | 2 | 2 |
| Ø 150 | 3 | 3 | 3 | 3 | 3 |

B46

| | 11 | 12 | 13 | 14 | 15 |
|-------|----|----|----|----|----|
| Ø 110 | 2 | 2 | 2 | 2 | 2 |
| Ø 130 | 2 | 2 | 2 | 2 | 2 |
| Ø 150 | 2 | 2 | 2 | 2 | 2 |

B47

| | 11 | 12 | 13 | 14 | 15 |
|-------|----|----|----|----|----|
| Ø 110 | 1 | 1 | 1 | 2 | 2 |
| Ø 130 | 1 | 1 | 1 | 2 | 2 |
| Ø 150 | 1 | 1 | 1 | 2 | 2 |

B74

| | 11 | 12 | 13 | 14 | 15 |
|-------|----|----|----|----|----|
| Ø 110 | 2 | 2 | 2 | 2 | 2 |
| Ø 130 | 2 | 2 | 2 | 2 | 2 |
| Ø 150 | 2 | 2 | 2 | 2 | 2 |

B76

| | 11 | 12 | 13 | 14 | 15 |
|-------|----|----|----|----|----|
| Ø 110 | 2 | 2 | 2 | 2 | 2 |
| Ø 130 | 2 | 2 | 2 | 2 | 2 |
| Ø 150 | 2 | 2 | 2 | 2 | 2 |

B82

| | 11 | 12 | 13 | 14 | 15 |
|-------|----|----|----|----|----|
| Ø 110 | 21 | 23 | 25 | 27 | 29 |
| Ø 130 | 21 | 23 | 25 | 27 | 29 |
| Ø 150 | 31 | 34 | 37 | 40 | 43 |

B89

| | 11 | 12 | 13 | 14 | 15 |
|-------|----|----|----|----|----|
| Ø 110 | 7 | 7 | 7 | 7 | 7 |
| Ø 130 | 8 | 8 | 8 | 8 | 8 |
| Ø 150 | 9 | 9 | 9 | 9 | 9 |

BA2

| | 11 | 12 | 13 | 14 | 15 |
|-------|----|----|----|----|----|
| Ø 110 | 2 | 2 | 2 | 2 | 2 |
| Ø 130 | 2 | 2 | 2 | 2 | 2 |
| Ø 150 | 2 | 2 | 2 | 2 | 2 |

BA6

| | 11 | 12 | 13 | 14 | 15 |
|-------|----|----|----|----|----|
| Ø 110 | 6 | 6 | 6 | 6 | 6 |
| Ø 130 | 6 | 6 | 6 | 6 | 6 |
| Ø 150 | 6 | 6 | 6 | 6 | 6 |

BA7

| | 11 | 12 | 13 | 14 | 15 |
|-------|----|----|----|----|----|
| Ø 110 | 29 | 31 | 33 | 35 | 37 |
| Ø 130 | 30 | 32 | 34 | 36 | 38 |
| Ø 150 | 41 | 44 | 47 | 50 | 53 |

BA9

| | 11 | 12 | 13 | 14 | 15 |
|-------|----|----|----|----|----|
| Ø 110 | 2 | 2 | 2 | 2 | 2 |
| Ø 130 | 2 | 2 | 2 | 2 | 2 |
| Ø 150 | 2 | 2 | 2 | 2 | 2 |

BB1

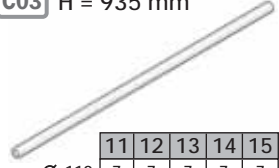
| | 11 | 12 | 13 | 14 | 15 |
|-------|----|----|----|----|----|
| Ø 110 | 4 | 4 | 4 | 4 | 4 |
| Ø 130 | 4 | 4 | 4 | 4 | 4 |
| Ø 150 | 4 | 4 | 4 | 4 | 4 |

BB2

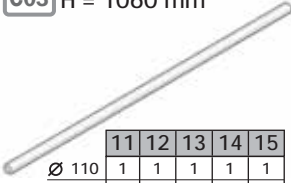
| | 11 | 12 | 13 | 14 | 15 |
|-------|----|----|----|----|----|
| Ø 110 | 4 | 4 | 4 | 4 | 4 |
| Ø 130 | 4 | 4 | 4 | 4 | 4 |
| Ø 150 | 4 | 4 | 4 | 4 | 4 |

BG6

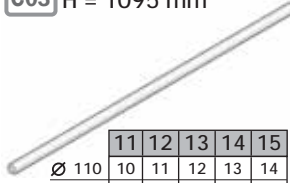
| | 11 | 12 | 13 | 14 | 15 |
|-------|----|----|----|----|----|
| Ø 110 | 32 | 35 | 38 | 41 | 44 |
| Ø 130 | 32 | 35 | 38 | 41 | 44 |
| Ø 150 | 42 | 46 | 50 | 54 | 58 |

C03 H = 935 mm

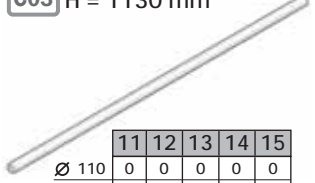
| | 11 | 12 | 13 | 14 | 15 |
|-------|----|----|----|----|----|
| Ø 110 | 7 | 7 | 7 | 7 | 7 |
| Ø 130 | 8 | 8 | 8 | 8 | 8 |
| Ø 150 | 9 | 9 | 9 | 9 | 9 |

C03 H = 1060 mm

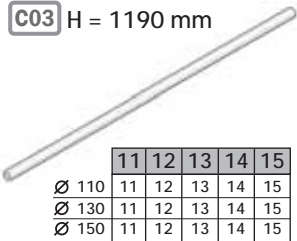
| | 11 | 12 | 13 | 14 | 15 |
|-------|----|----|----|----|----|
| Ø 110 | 1 | 1 | 1 | 1 | 1 |
| Ø 130 | 1 | 1 | 1 | 1 | 1 |
| Ø 150 | 11 | 12 | 13 | 14 | 15 |

C03 H = 1095 mm

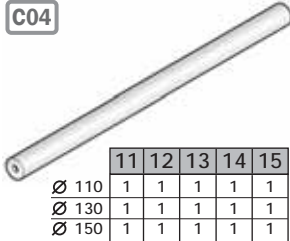
| | 11 | 12 | 13 | 14 | 15 |
|-------|----|----|----|----|----|
| Ø 110 | 10 | 11 | 12 | 13 | 14 |
| Ø 130 | 10 | 11 | 12 | 13 | 14 |
| Ø 150 | 0 | 0 | 0 | 0 | 0 |

C03 H = 1130 mm

| | 11 | 12 | 13 | 14 | 15 |
|-------|----|----|----|----|----|
| Ø 110 | 0 | 0 | 0 | 0 | 0 |
| Ø 130 | 0 | 0 | 0 | 0 | 0 |
| Ø 150 | 10 | 11 | 12 | 13 | 14 |

C03 H = 1190 mm

| | 11 | 12 | 13 | 14 | 15 |
|-------|----|----|----|----|----|
| Ø 110 | 11 | 12 | 13 | 14 | 15 |
| Ø 130 | 11 | 12 | 13 | 14 | 15 |
| Ø 150 | 11 | 12 | 13 | 14 | 15 |

C04

| | 11 | 12 | 13 | 14 | 15 |
|-------|----|----|----|----|----|
| Ø 110 | 1 | 1 | 1 | 1 | 1 |
| Ø 130 | 1 | 1 | 1 | 1 | 1 |
| Ø 150 | 1 | 1 | 1 | 1 | 1 |

C13

| | 11 | 12 | 13 | 14 | 15 |
|-------|----|----|----|----|----|
| Ø 110 | 32 | 35 | 38 | 41 | 44 |
| Ø 130 | 32 | 35 | 38 | 41 | 44 |
| Ø 150 | 42 | 46 | 50 | 54 | 58 |

C29

| | 11 | 12 | 13 | 14 | 15 |
|-------|----|----|----|----|----|
| Ø 110 | 6 | 6 | 6 | 6 | 6 |
| Ø 130 | 6 | 6 | 6 | 6 | 6 |
| Ø 150 | 9 | 9 | 9 | 9 | 9 |

C31

| | 11 | 12 | 13 | 14 | 15 |
|-------|----|----|----|----|----|
| Ø 110 | 44 | 47 | 50 | 53 | 56 |
| Ø 130 | 45 | 48 | 51 | 54 | 57 |
| Ø 150 | 56 | 60 | 64 | 68 | 72 |

C63

| | 11 | 12 | 13 | 14 | 15 |
|-------|----|----|----|----|----|
| Ø 110 | 29 | 31 | 33 | 35 | 37 |
| Ø 130 | 30 | 32 | 34 | 36 | 38 |
| Ø 150 | 41 | 44 | 47 | 50 | 53 |

C64

| | 11 | 12 | 13 | 14 | 15 |
|-------|----|----|-----|-----|-----|
| Ø 110 | 64 | 68 | 72 | 76 | 80 |
| Ø 130 | 66 | 70 | 74 | 78 | 82 |
| Ø 150 | 88 | 94 | 100 | 106 | 112 |

C84

| | 11 | 12 | 13 | 14 | 15 |
|-------|----|----|----|----|----|
| Ø 110 | 2 | 2 | 2 | 2 | 2 |
| Ø 130 | 2 | 2 | 2 | 2 | 2 |
| Ø 150 | 2 | 2 | 2 | 2 | 2 |

C85

| | 11 | 12 | 13 | 14 | 15 |
|-------|----|----|----|----|----|
| Ø 110 | 2 | 2 | 2 | 2 | 2 |
| Ø 130 | 2 | 2 | 2 | 2 | 2 |
| Ø 150 | 2 | 2 | 2 | 2 | 2 |

CA1

| | 11 | 12 | 13 | 14 | 15 |
|-------|----|----|----|----|----|
| Ø 110 | 29 | 31 | 33 | 35 | 37 |
| Ø 130 | 30 | 32 | 34 | 36 | 38 |
| Ø 150 | 41 | 44 | 47 | 50 | 53 |

D01

| | 11 | 12 | 13 | 14 | 15 |
|-------|----|----|----|----|----|
| Ø 110 | 3 | 4 | 3 | 3 | 3 |
| Ø 130 | 3 | 4 | 3 | 3 | 3 |
| Ø 150 | 3 | 4 | 3 | 3 | 3 |

D02

| | 11 | 12 | 13 | 14 | 15 |
|-------|----|----|----|----|----|
| Ø 110 | 11 | 12 | 13 | 14 | 15 |
| Ø 130 | 11 | 12 | 13 | 14 | 15 |
| Ø 150 | 11 | 12 | 13 | 14 | 15 |

D03

| | 11 | 12 | 13 | 14 | 15 |
|-------|----|----|----|----|----|
| Ø 110 | 55 | 60 | 65 | 70 | 75 |
| Ø 130 | 55 | 60 | 65 | 70 | 75 |
| Ø 150 | 55 | 60 | 65 | 70 | 75 |

D04

| | 11 | 12 | 13 | 14 | 15 |
|-------|----|----|----|----|----|
| Ø 110 | 10 | 11 | 12 | 13 | 14 |
| Ø 130 | 10 | 11 | 12 | 13 | 14 |
| Ø 150 | 10 | 11 | 12 | 13 | 14 |

D05

| | 11 | 12 | 13 | 14 | 15 |
|-------|----|----|----|----|----|
| Ø 110 | 1 | 1 | 1 | 1 | 1 |
| Ø 130 | 1 | 1 | 1 | 1 | 1 |
| Ø 150 | 1 | 1 | 1 | 1 | 1 |

D14

| | 11 | 12 | 13 | 14 | 15 |
|-------|----|----|----|----|----|
| Ø 110 | 1 | 1 | 1 | 1 | 1 |
| Ø 130 | 1 | 1 | 1 | 1 | 1 |
| Ø 150 | 1 | 1 | 1 | 1 | 1 |

D32

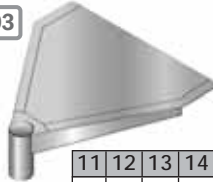
| | 11 | 12 | 13 | 14 | 15 |
|-------|----|----|----|----|----|
| Ø 110 | 32 | 35 | 38 | 41 | 44 |
| Ø 130 | 32 | 35 | 38 | 41 | 44 |
| Ø 150 | 42 | 46 | 50 | 54 | 58 |

D33

| | 11 | 12 | 13 | 14 | 15 |
|-------|----|----|----|----|----|
| Ø 110 | 32 | 35 | 38 | 41 | 44 |
| Ø 130 | 32 | 35 | 38 | 41 | 44 |
| Ø 150 | 42 | 46 | 50 | 54 | 58 |

D72

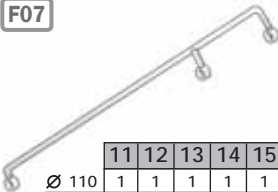
| | 11 | 12 | 13 | 14 | 15 |
|-------|----|----|----|----|----|
| Ø 110 | 4 | 5 | 5 | 6 | 6 |
| Ø 130 | 4 | 5 | 5 | 6 | 6 |
| Ø 150 | 4 | 5 | 5 | 6 | 6 |

E03

| | 11 | 12 | 13 | 14 | 15 |
|-------|----|----|----|----|----|
| Ø 110 | 1 | 1 | 1 | 1 | 1 |
| Ø 130 | 1 | 1 | 1 | 1 | 1 |
| Ø 150 | 1 | 1 | 1 | 1 | 1 |

F01

| | 11 | 12 | 13 | 14 | 15 |
|-------|----|----|----|----|----|
| Ø 110 | 8 | 8 | 8 | 8 | 8 |
| Ø 130 | 9 | 9 | 9 | 9 | 9 |
| Ø 150 | 10 | 10 | 10 | 10 | 10 |

F07

| | 11 | 12 | 13 | 14 | 15 |
|-------|----|----|----|----|----|
| Ø 110 | 1 | 1 | 1 | 1 | 1 |
| Ø 130 | 1 | 1 | 1 | 1 | 1 |
| Ø 150 | 1 | 1 | 1 | 1 | 1 |

F08

| | 11 | 12 | 13 | 14 | 15 |
|-------|----|----|----|----|----|
| Ø 110 | 4 | 4 | 4 | 4 | 4 |
| Ø 130 | 4 | 4 | 4 | 4 | 4 |
| Ø 150 | 6 | 6 | 6 | 6 | 6 |

F09

| | 11 | 12 | 13 | 14 | 15 |
|-------|----|----|----|----|----|
| Ø 110 | 2 | 2 | 2 | 2 | 2 |
| Ø 130 | 2 | 2 | 2 | 2 | 2 |
| Ø 150 | 3 | 3 | 3 | 3 | 3 |



G01

| | 11 | 12 | 13 | 14 | 15 |
|-------|----|----|----|----|----|
| Ø 110 | 1 | 1 | 1 | 1 | 1 |
| Ø 130 | 1 | 1 | 1 | 1 | 1 |
| Ø 150 | 1 | 1 | 1 | 1 | 1 |

G02

| | 11 | 12 | 13 | 14 | 15 |
|-------|----|----|----|----|----|
| Ø 110 | 2 | 2 | 2 | 3 | 3 |
| Ø 130 | 2 | 2 | 2 | 3 | 3 |
| Ø 150 | 2 | 2 | 2 | 3 | 3 |

G03

| | 11 | 12 | 13 | 14 | 15 |
|-------|----|----|----|----|----|
| Ø 110 | 1 | 1 | 1 | 1 | 1 |
| Ø 130 | 1 | 1 | 1 | 1 | 1 |
| Ø 150 | 1 | 1 | 1 | 1 | 1 |

H01

| | 11 | 12 | 13 | 14 | 15 |
|-------|----|----|----|----|----|
| Ø 110 | 10 | 11 | 12 | 13 | 14 |
| Ø 130 | 10 | 11 | 12 | 13 | 14 |
| Ø 150 | 10 | 11 | 12 | 13 | 14 |

H03

| | 11 | 12 | 13 | 14 | 15 |
|-------|----|----|----|----|----|
| Ø 110 | 1 | 1 | 1 | 1 | 1 |
| Ø 130 | 1 | 1 | 1 | 1 | 1 |
| Ø 150 | 1 | 1 | 1 | 1 | 1 |

H04

| | 11 | 12 | 13 | 14 | 15 |
|-------|----|----|----|----|----|
| Ø 110 | 2 | 2 | 2 | 2 | 2 |
| Ø 130 | 2 | 2 | 2 | 2 | 2 |
| Ø 150 | 2 | 2 | 2 | 2 | 2 |

H11

| | 11 | 12 | 13 | 14 | 15 |
|-------|----|----|----|----|----|
| Ø 110 | 29 | 31 | 33 | 35 | 37 |
| Ø 130 | 30 | 32 | 34 | 36 | 38 |
| Ø 150 | 41 | 44 | 47 | 50 | 53 |

L02

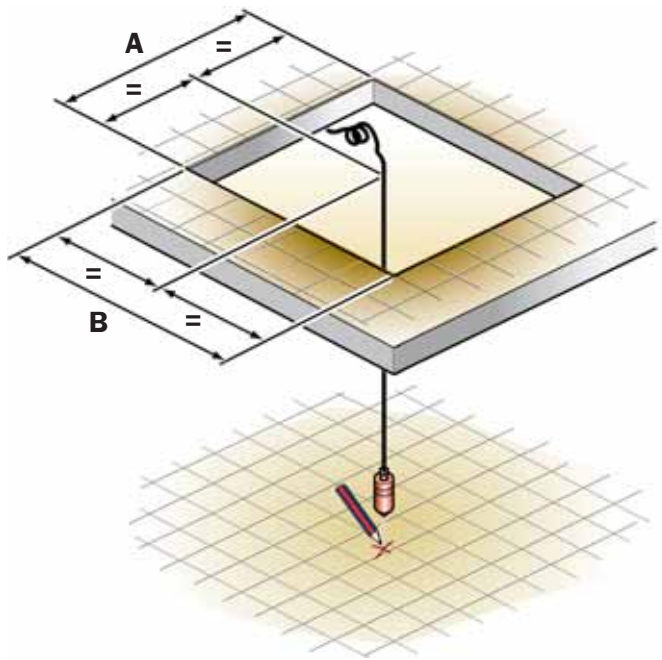
| | 11 | 12 | 13 | 14 | 15 |
|-------|----|----|----|----|----|
| Ø 110 | 10 | 11 | 12 | 13 | 14 |
| Ø 130 | 10 | 11 | 12 | 13 | 14 |
| | | | | | |

L02

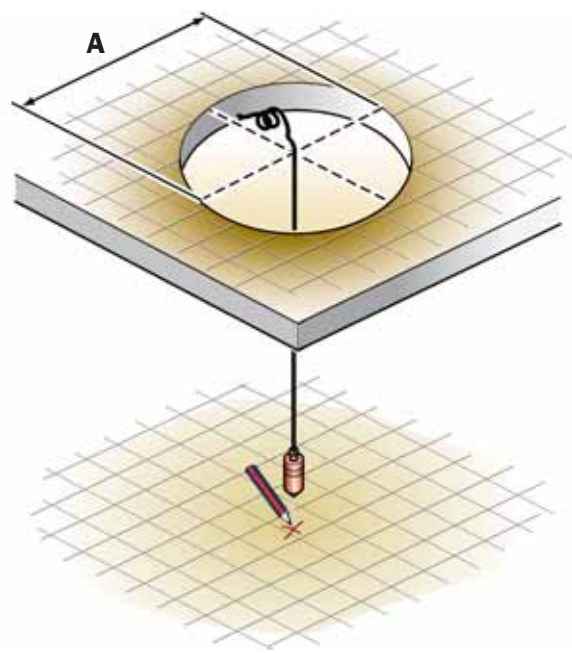
| | 11 | 12 | 13 | 14 | 15 |
|-------|----|----|----|----|----|
| | | | | | |
| Ø 150 | 10 | 11 | 12 | 13 | 14 |

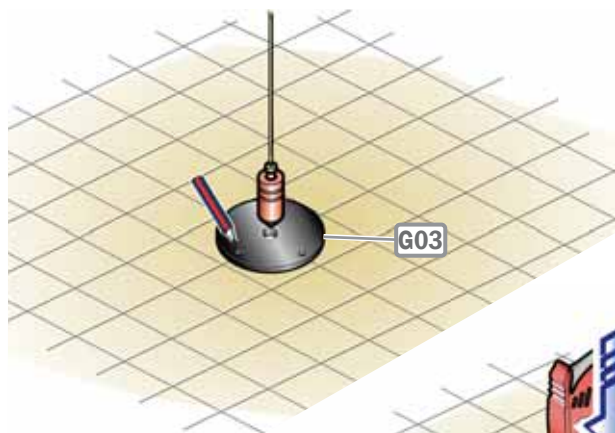
B96**C36****X01**

4 a
b

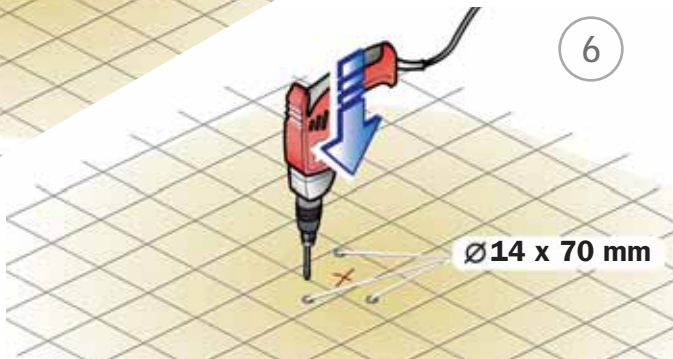


4 c



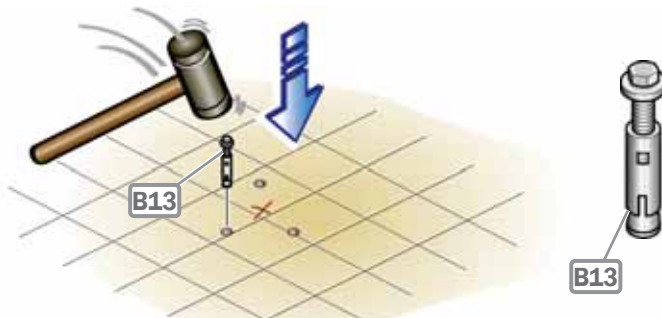


5

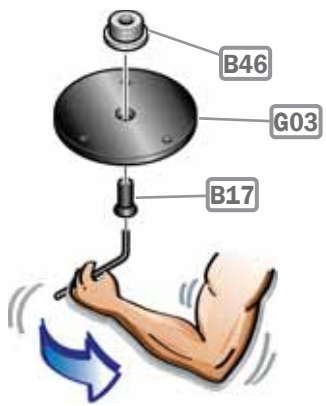


6

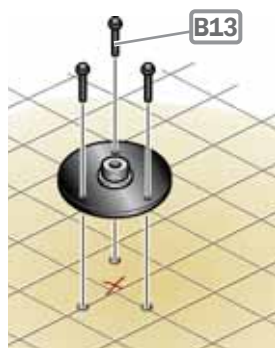
7



8



9



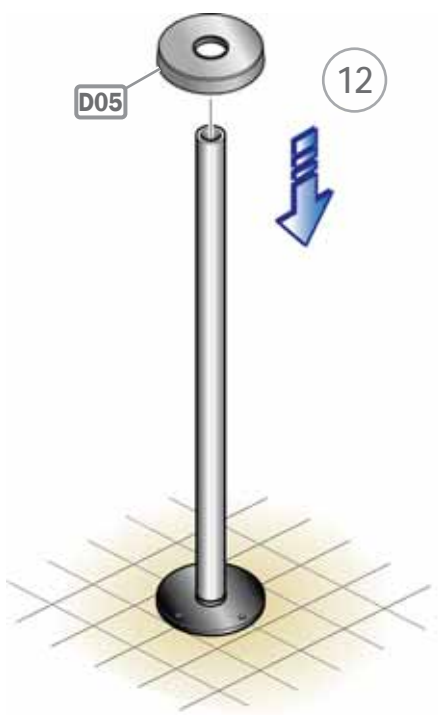
10



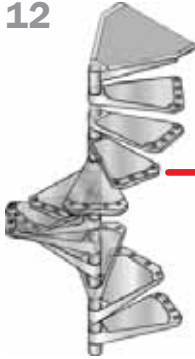
11



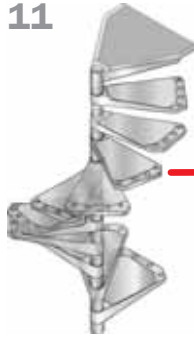
12



12

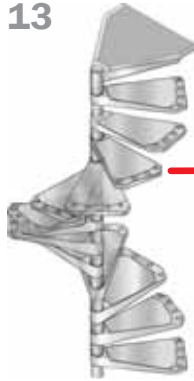


11



14 - 15

13

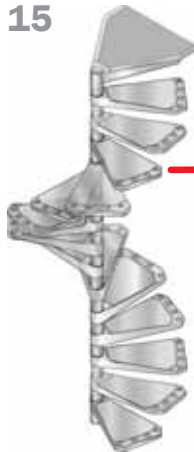


16 - 17

14



15



18 - 19

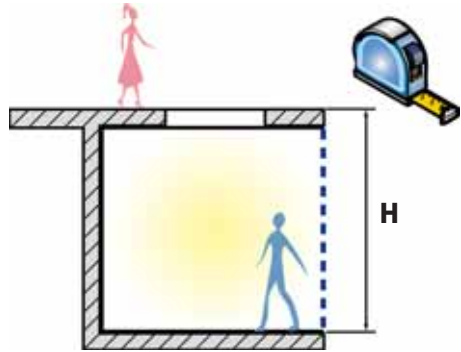


20 - 21



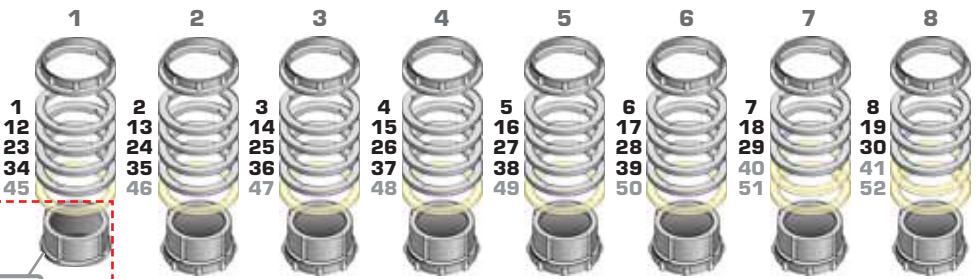
22 - 23

| H | D02 | D03 | D04 | D14 |
|-----|-----|-----|-----|-----|
| 232 | 11 | 1 | 10 | 1 |
| 233 | 11 | 3 | 10 | 1 |
| 234 | 11 | 5 | 10 | 1 |
| 235 | 11 | 7 | 10 | 1 |
| 236 | 11 | 9 | 10 | 1 |
| 237 | 11 | 11 | 10 | 1 |
| 238 | 11 | 13 | 10 | 1 |
| 239 | 11 | 15 | 10 | 1 |
| 240 | 11 | 17 | 10 | 1 |
| 241 | 11 | 19 | 10 | 1 |
| 242 | 11 | 21 | 10 | 1 |
| 243 | 11 | 23 | 10 | 1 |
| 244 | 11 | 25 | 10 | 1 |
| 245 | 11 | 27 | 10 | 1 |
| 246 | 11 | 29 | 10 | 1 |
| 247 | 11 | 31 | 10 | 1 |
| 248 | 11 | 33 | 10 | 1 |
| 249 | 11 | 35 | 10 | 1 |
| 250 | 11 | 37 | 10 | 1 |
| 251 | 11 | 39 | 10 | 1 |
| 252 | 11 | 41 | 10 | 1 |
| 253 | 11 | 43 | 10 | 1 |
| 254 | 11 | 45 | 10 | 1 |
| 255 | 11 | 47 | 10 | 1 |
| 256 | 11 | 49 | 10 | 1 |
| 257 | 11 | 51 | 10 | 1 |
| 258 | 11 | 53 | 10 | 1 |
| 259 | 11 | 55 | 10 | 1 |
| | | | | |
| | | | | |
| | | | | |
| | | | | |
| | | | | |
| | | | | |
| | | | | |
| | | | | |
| | | | | |
| | | | | |
| | | | | |
| | | | | |
| | | | | |
| | | | | |
| | | | | |
| | | | | |
| | | | | |



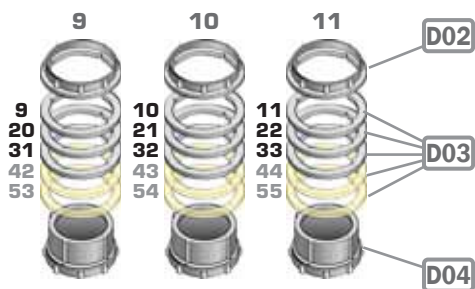
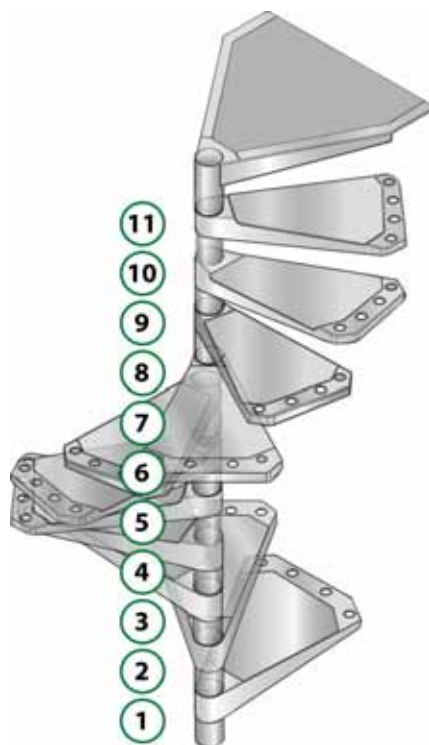
H = 251

- D02 = 11**
- D03 = 39**
- D04 = 10**
- D14 = 1**

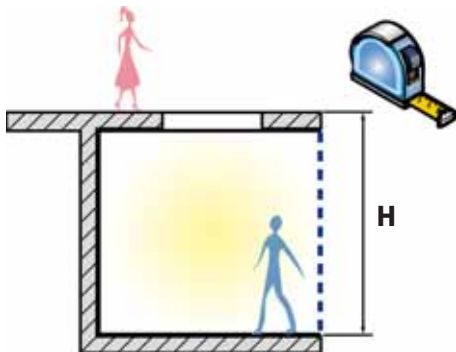


D14



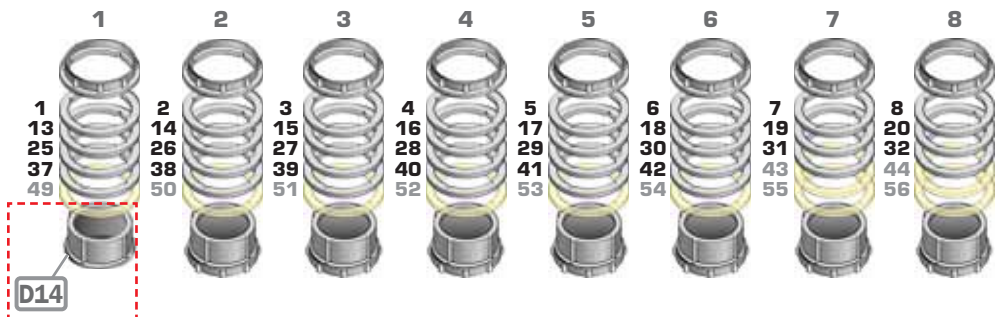


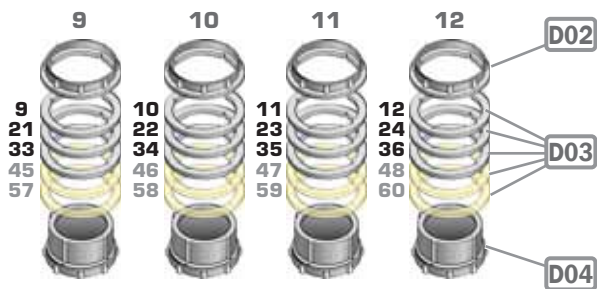
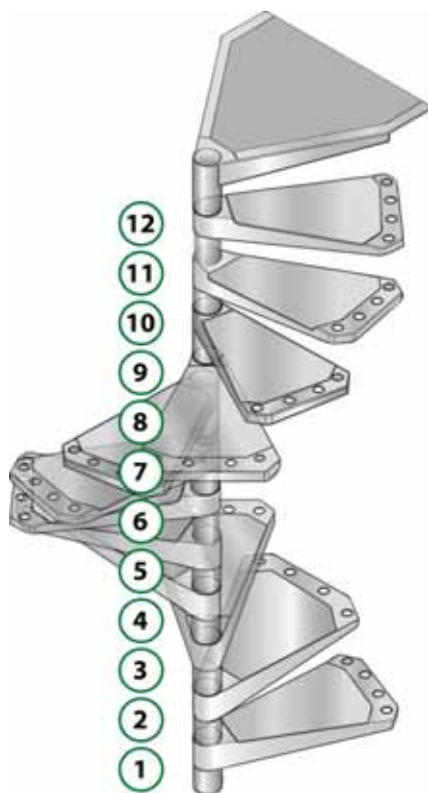
| H | D02 | D03 | D04 | D14 |
|-----|-----|-----|-----|-----|
| 253 | 12 | 0 | 11 | 1 |
| 254 | 12 | 2 | 11 | 1 |
| 255 | 12 | 4 | 11 | 1 |
| 256 | 12 | 6 | 11 | 1 |
| 257 | 12 | 8 | 11 | 1 |
| 258 | 12 | 10 | 11 | 1 |
| 259 | 12 | 12 | 11 | 1 |
| 260 | 12 | 14 | 11 | 1 |
| 261 | 12 | 16 | 11 | 1 |
| 262 | 12 | 18 | 11 | 1 |
| 263 | 12 | 20 | 11 | 1 |
| 264 | 12 | 22 | 11 | 1 |
| 265 | 12 | 24 | 11 | 1 |
| 266 | 12 | 26 | 11 | 1 |
| 267 | 12 | 28 | 11 | 1 |
| 268 | 12 | 30 | 11 | 1 |
| 269 | 12 | 32 | 11 | 1 |
| 270 | 12 | 34 | 11 | 1 |
| 271 | 12 | 36 | 11 | 1 |
| 272 | 12 | 38 | 11 | 1 |
| 273 | 12 | 40 | 11 | 1 |
| 274 | 12 | 42 | 11 | 1 |
| 275 | 12 | 44 | 11 | 1 |
| 276 | 12 | 46 | 11 | 1 |
| 277 | 12 | 48 | 11 | 1 |
| 278 | 12 | 50 | 11 | 1 |
| 279 | 12 | 52 | 11 | 1 |
| 280 | 12 | 54 | 11 | 1 |
| 281 | 12 | 56 | 11 | 1 |
| 282 | 12 | 58 | 11 | 1 |
| 283 | 12 | 60 | 11 | 1 |
| | | | | |
| | | | | |
| | | | | |
| | | | | |
| | | | | |
| | | | | |
| | | | | |
| | | | | |
| | | | | |
| | | | | |
| | | | | |
| | | | | |



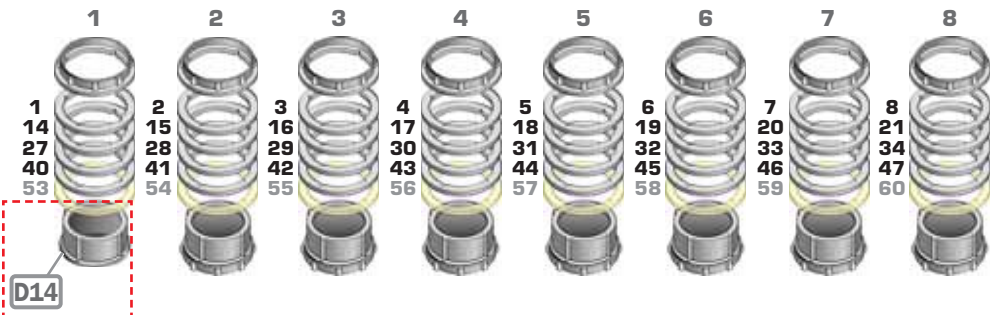
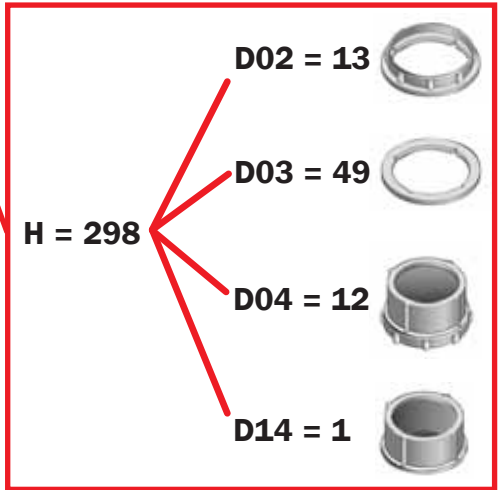
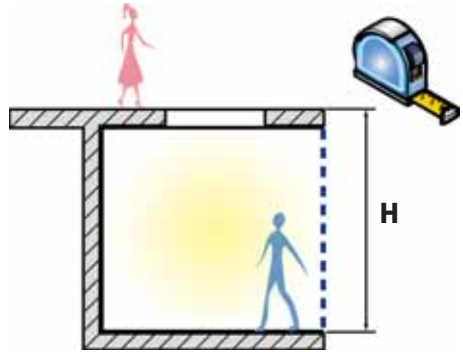
H = 274

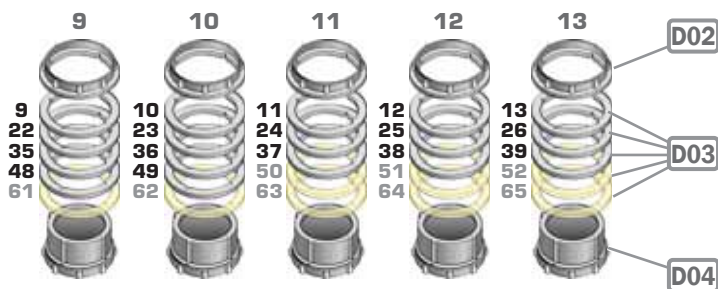
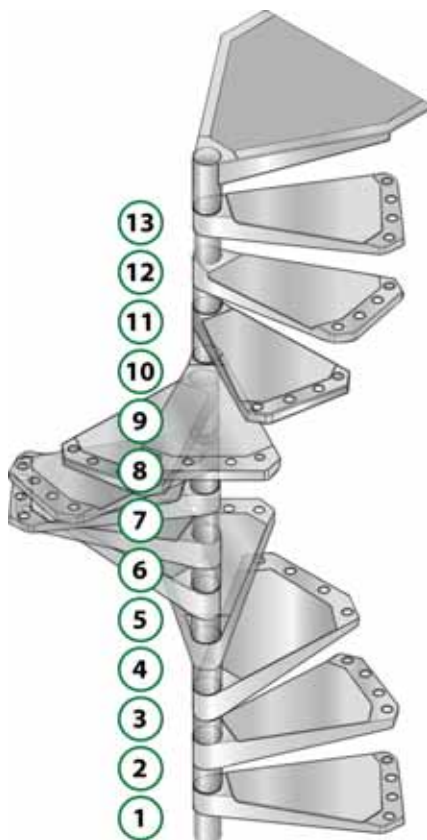
- D02 = 12**
- D03 = 42**
- D04 = 11**
- D14 = 1**



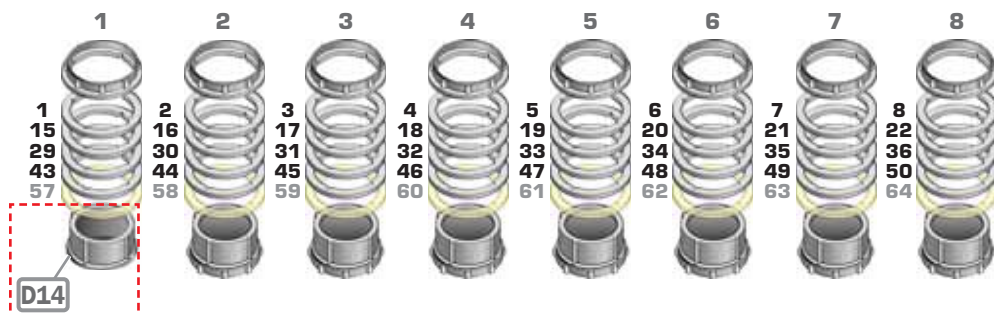
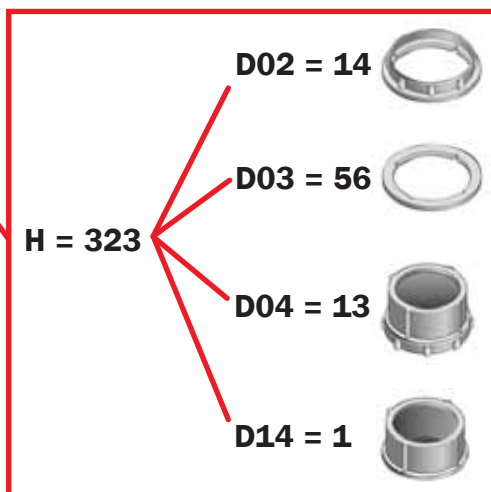
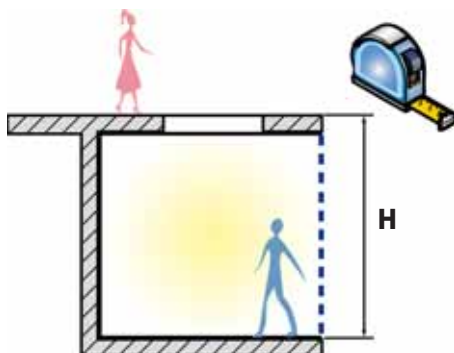


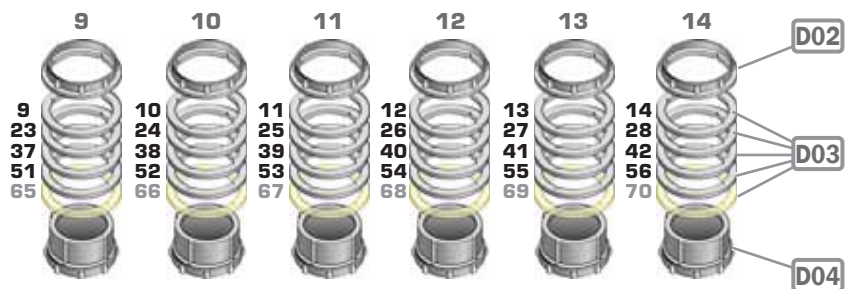
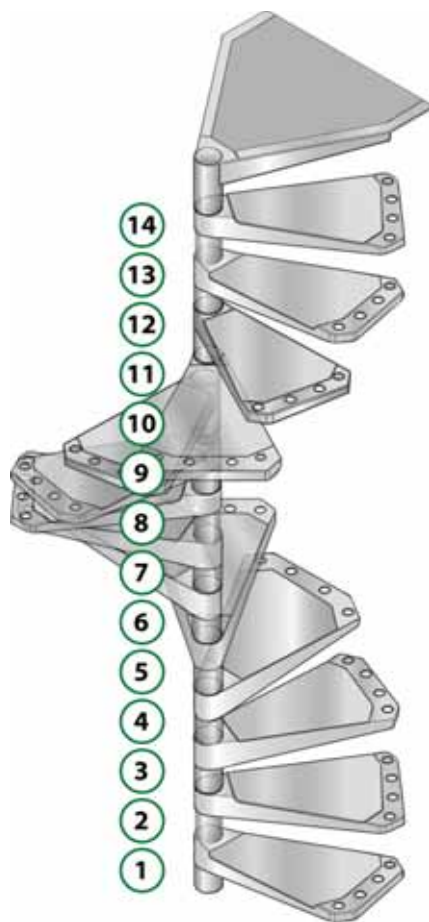
| H | D02 | D03 | D04 | D14 |
|------------|-----------|-----------|-----------|----------|
| 274 | 13 | 1 | 12 | 1 |
| 275 | 13 | 3 | 12 | 1 |
| 276 | 13 | 5 | 12 | 1 |
| 277 | 13 | 7 | 12 | 1 |
| 278 | 13 | 9 | 12 | 1 |
| 279 | 13 | 11 | 12 | 1 |
| 280 | 13 | 13 | 12 | 1 |
| 281 | 13 | 15 | 12 | 1 |
| 282 | 13 | 17 | 12 | 1 |
| 283 | 13 | 19 | 12 | 1 |
| 284 | 13 | 21 | 12 | 1 |
| 285 | 13 | 23 | 12 | 1 |
| 286 | 13 | 25 | 12 | 1 |
| 287 | 13 | 27 | 12 | 1 |
| 288 | 13 | 29 | 12 | 1 |
| 289 | 13 | 31 | 12 | 1 |
| 290 | 13 | 33 | 12 | 1 |
| 291 | 13 | 35 | 12 | 1 |
| 292 | 13 | 37 | 12 | 1 |
| 293 | 13 | 39 | 12 | 1 |
| 294 | 13 | 41 | 12 | 1 |
| 295 | 13 | 43 | 12 | 1 |
| 296 | 13 | 45 | 12 | 1 |
| 297 | 13 | 47 | 12 | 1 |
| 298 | 13 | 49 | 12 | 1 |
| 299 | 13 | 51 | 12 | 1 |
| 300 | 13 | 53 | 12 | 1 |
| 301 | 13 | 55 | 12 | 1 |
| 302 | 13 | 57 | 12 | 1 |
| 303 | 13 | 59 | 12 | 1 |
| 304 | 13 | 61 | 12 | 1 |
| 305 | 13 | 63 | 12 | 1 |
| 306 | 13 | 65 | 12 | 1 |
| | | | | |
| | | | | |
| | | | | |
| | | | | |
| | | | | |
| | | | | |
| | | | | |
| | | | | |
| | | | | |
| | | | | |
| | | | | |
| | | | | |
| | | | | |
| | | | | |



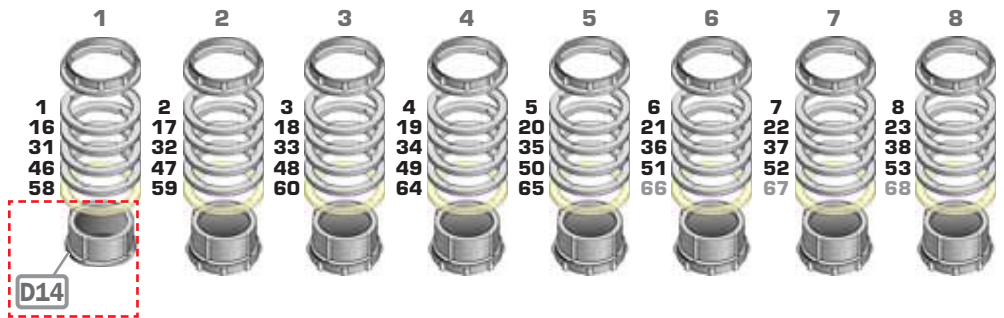
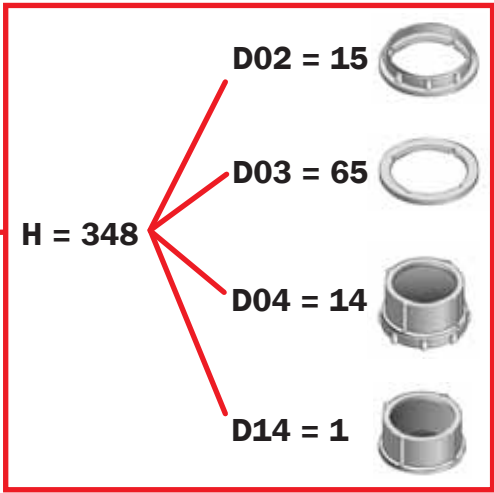
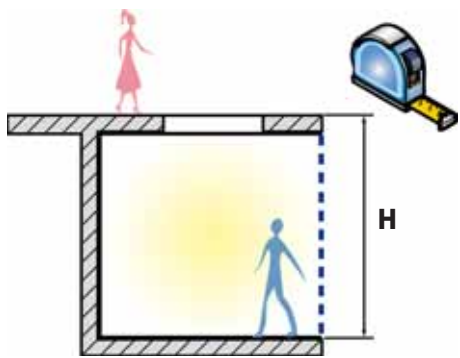


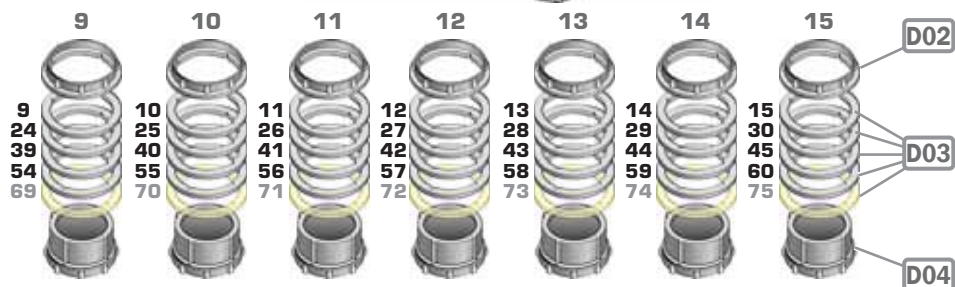
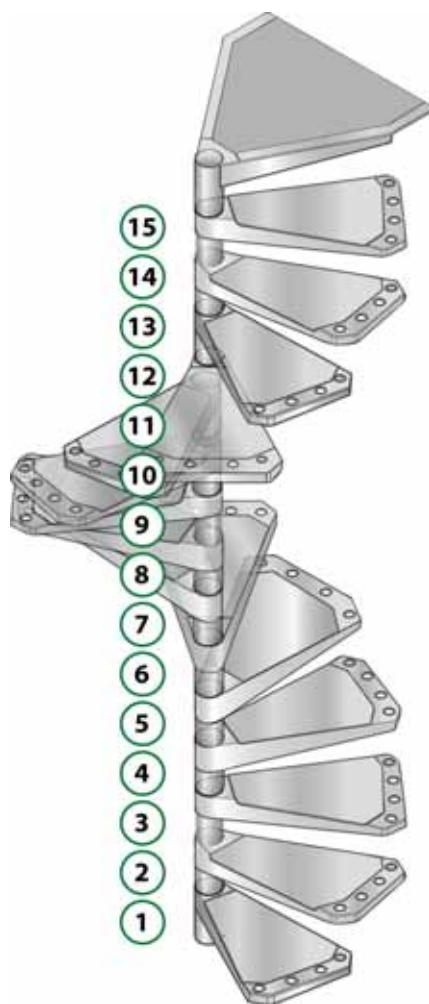
| H | D02 | D03 | D04 | D14 |
|-----|-----|-----|-----|-----|
| 295 | 14 | 0 | 13 | 1 |
| 296 | 14 | 2 | 13 | 1 |
| 297 | 14 | 4 | 13 | 1 |
| 298 | 14 | 6 | 13 | 1 |
| 299 | 14 | 8 | 13 | 1 |
| 300 | 14 | 10 | 13 | 1 |
| 301 | 14 | 12 | 13 | 1 |
| 302 | 14 | 14 | 13 | 1 |
| 303 | 14 | 16 | 13 | 1 |
| 304 | 14 | 18 | 13 | 1 |
| 305 | 14 | 20 | 13 | 1 |
| 306 | 14 | 22 | 13 | 1 |
| 307 | 14 | 24 | 13 | 1 |
| 308 | 14 | 26 | 13 | 1 |
| 309 | 14 | 28 | 13 | 1 |
| 310 | 14 | 30 | 13 | 1 |
| 311 | 14 | 32 | 13 | 1 |
| 312 | 14 | 34 | 13 | 1 |
| 313 | 14 | 36 | 13 | 1 |
| 314 | 14 | 38 | 13 | 1 |
| 315 | 14 | 40 | 13 | 1 |
| 316 | 14 | 42 | 13 | 1 |
| 317 | 14 | 44 | 13 | 1 |
| 318 | 14 | 46 | 13 | 1 |
| 319 | 14 | 48 | 13 | 1 |
| 320 | 14 | 50 | 13 | 1 |
| 321 | 14 | 52 | 13 | 1 |
| 322 | 14 | 54 | 13 | 1 |
| 323 | 14 | 56 | 13 | 1 |
| 324 | 14 | 58 | 13 | 1 |
| 325 | 14 | 60 | 13 | 1 |
| 326 | 14 | 62 | 13 | 1 |
| 327 | 14 | 64 | 13 | 1 |
| 328 | 14 | 66 | 13 | 1 |
| 329 | 14 | 68 | 13 | 1 |
| 330 | 14 | 70 | 13 | 1 |

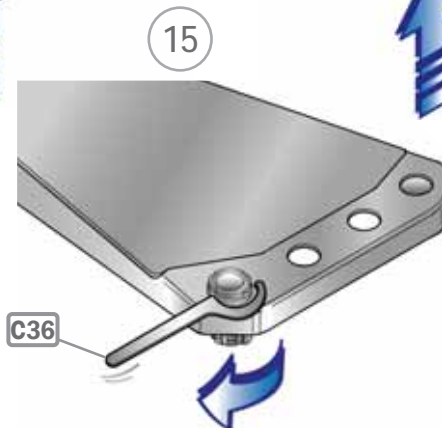
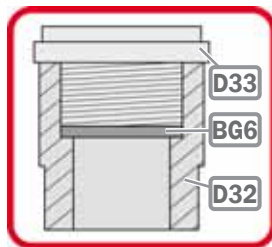
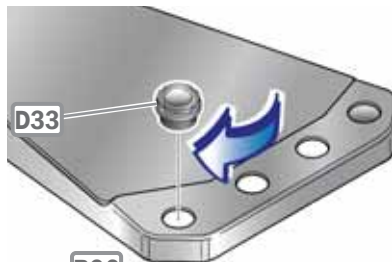
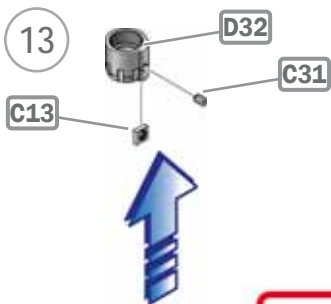




| H | D02 | D03 | D04 | D14 |
|-----|-----|-----|-----|-----|
| 316 | 15 | 1 | 14 | 1 |
| 317 | 15 | 3 | 14 | 1 |
| 318 | 15 | 5 | 14 | 1 |
| 319 | 15 | 7 | 14 | 1 |
| 320 | 15 | 9 | 14 | 1 |
| 321 | 15 | 11 | 14 | 1 |
| 322 | 15 | 13 | 14 | 1 |
| 323 | 15 | 15 | 14 | 1 |
| 324 | 15 | 17 | 14 | 1 |
| 325 | 15 | 19 | 14 | 1 |
| 326 | 15 | 21 | 14 | 1 |
| 327 | 15 | 23 | 14 | 1 |
| 328 | 15 | 25 | 14 | 1 |
| 329 | 15 | 27 | 14 | 1 |
| 330 | 15 | 29 | 14 | 1 |
| 331 | 15 | 31 | 14 | 1 |
| 332 | 15 | 33 | 14 | 1 |
| 333 | 15 | 35 | 14 | 1 |
| 334 | 15 | 37 | 14 | 1 |
| 335 | 15 | 39 | 14 | 1 |
| 336 | 15 | 41 | 14 | 1 |
| 337 | 15 | 43 | 14 | 1 |
| 338 | 15 | 45 | 14 | 1 |
| 339 | 15 | 47 | 14 | 1 |
| 340 | 15 | 49 | 14 | 1 |
| 341 | 15 | 51 | 14 | 1 |
| 342 | 15 | 53 | 14 | 1 |
| 343 | 15 | 55 | 14 | 1 |
| 344 | 15 | 57 | 14 | 1 |
| 345 | 15 | 59 | 14 | 1 |
| 346 | 15 | 61 | 14 | 1 |
| 347 | 15 | 63 | 14 | 1 |
| 348 | 15 | 65 | 14 | 1 |
| 349 | 15 | 67 | 14 | 1 |
| 350 | 15 | 69 | 14 | 1 |
| 351 | 15 | 71 | 14 | 1 |
| 352 | 15 | 73 | 14 | 1 |
| 353 | 15 | 75 | 14 | 1 |
| | | | | |
| | | | | |
| | | | | |



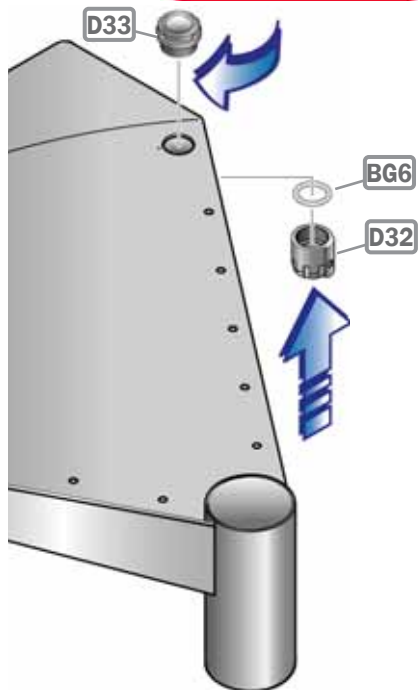
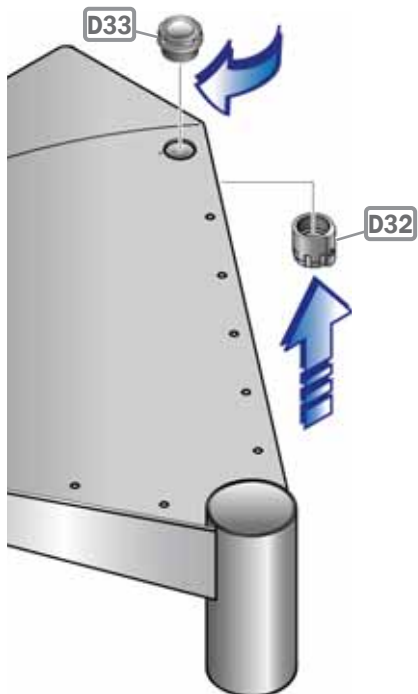
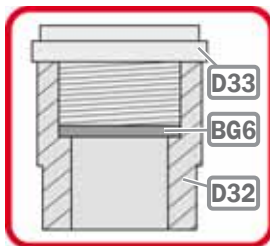




16 a

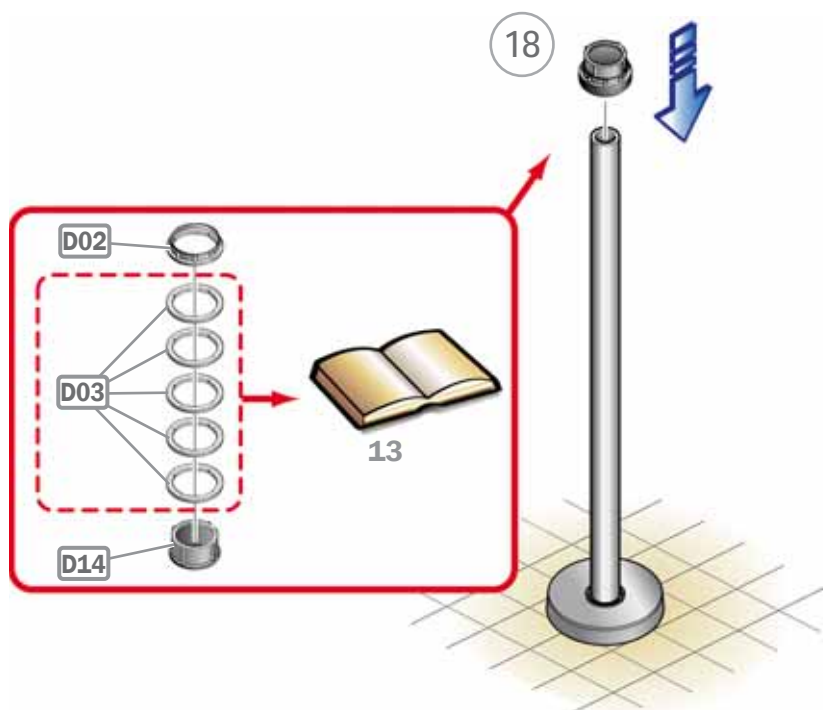


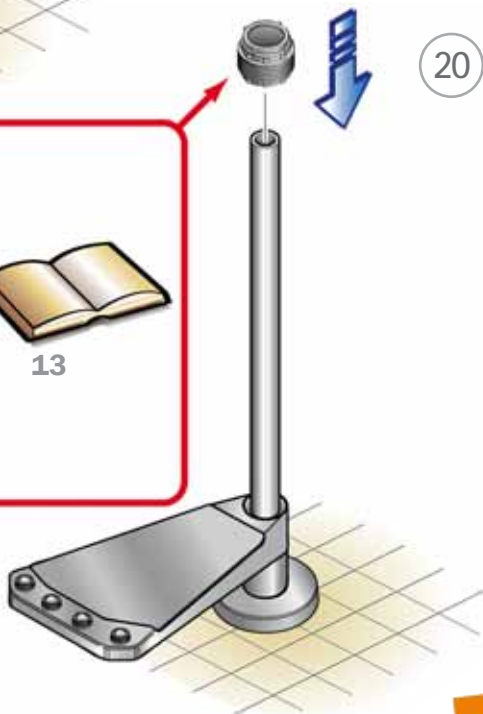
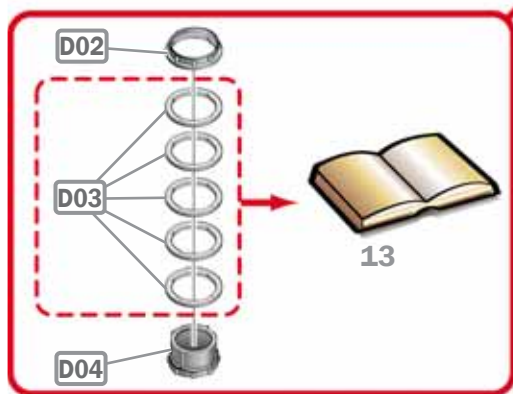
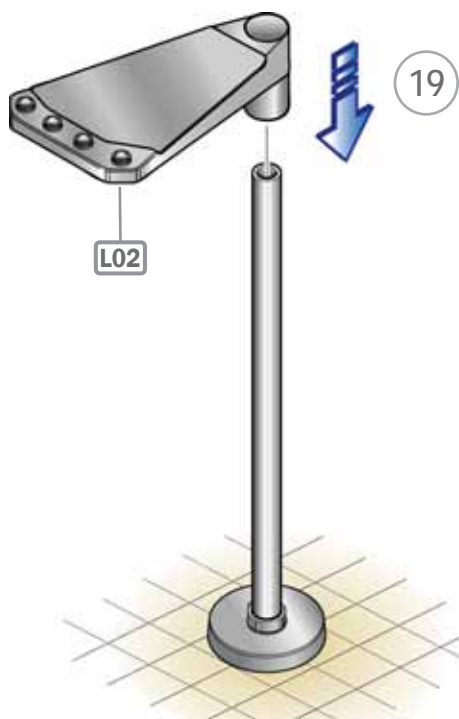
16 b

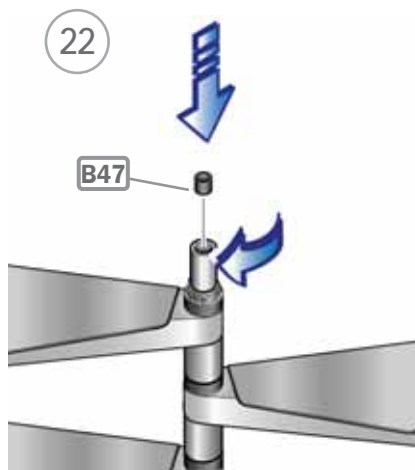
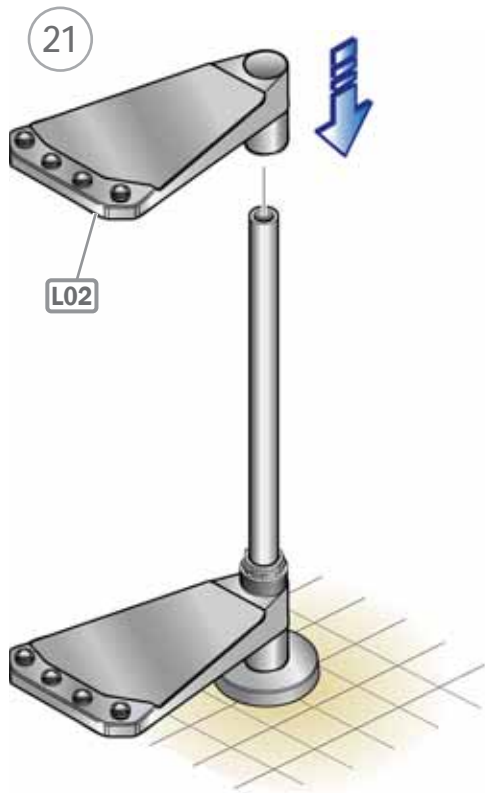


17

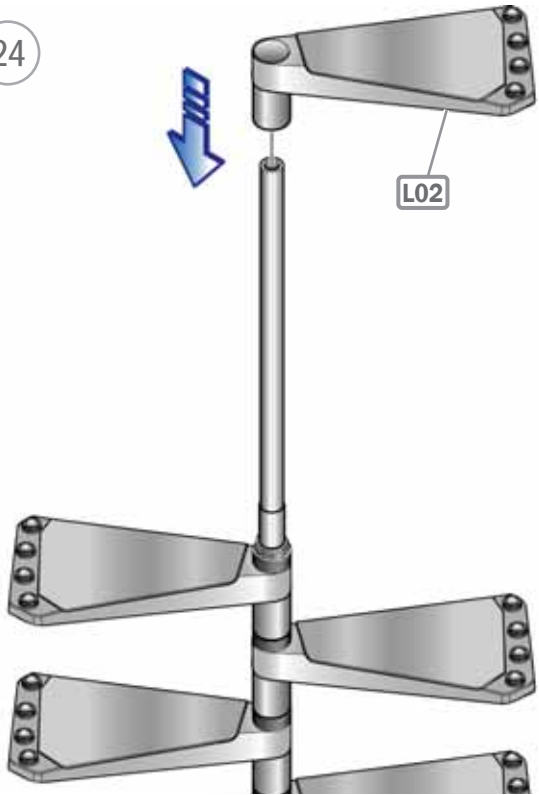




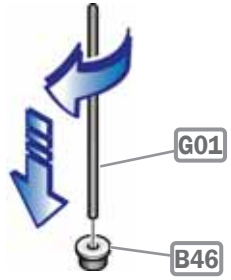




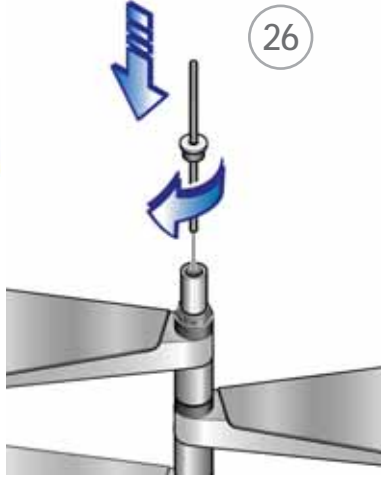
24

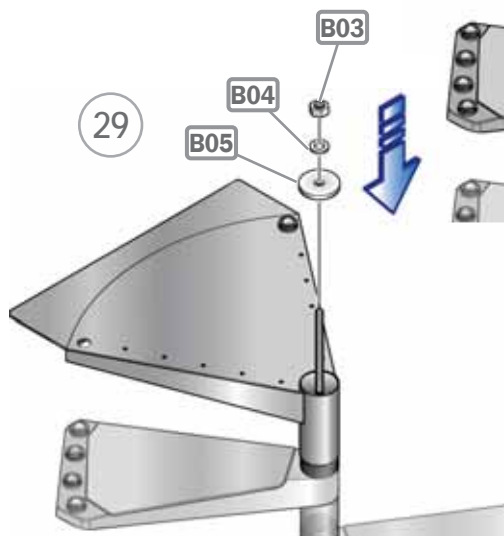
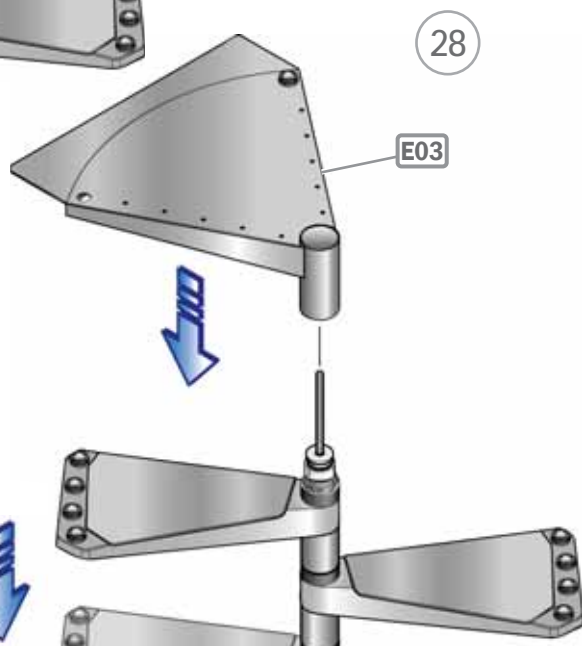
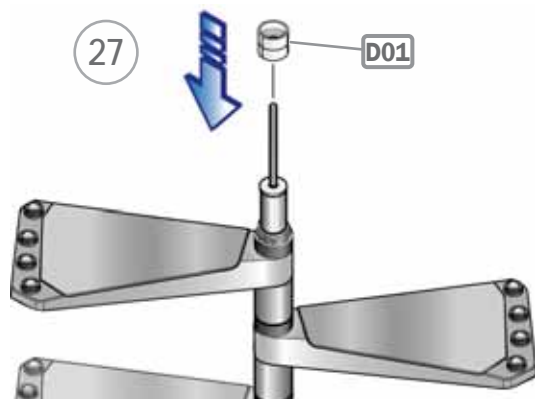


25

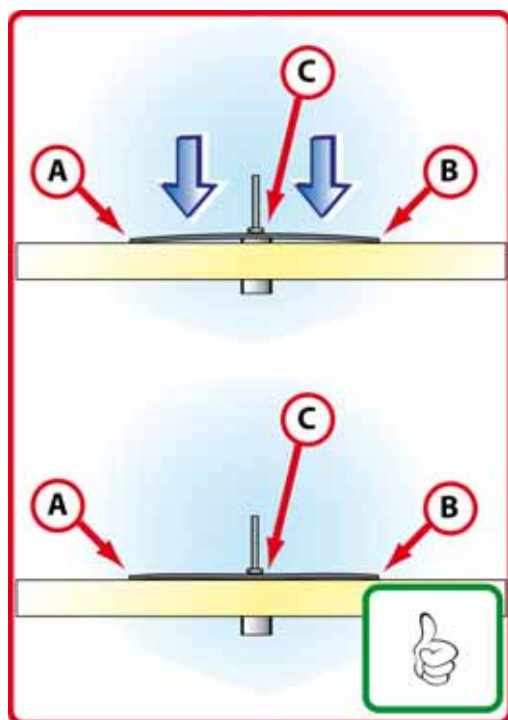
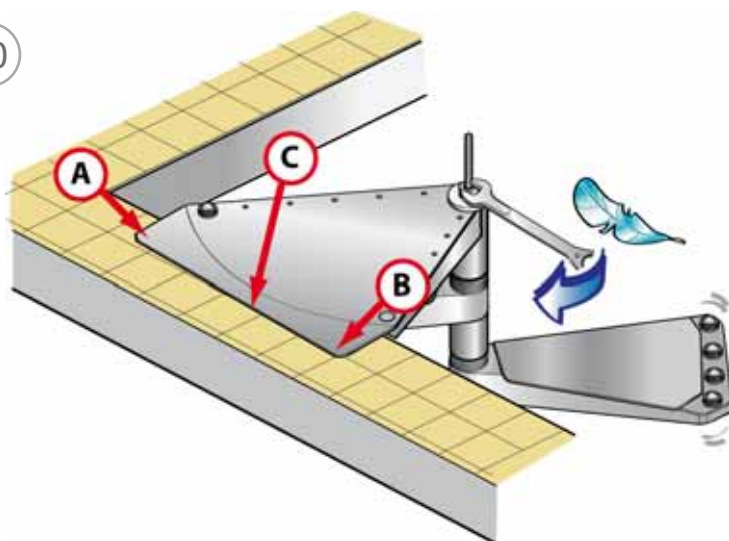


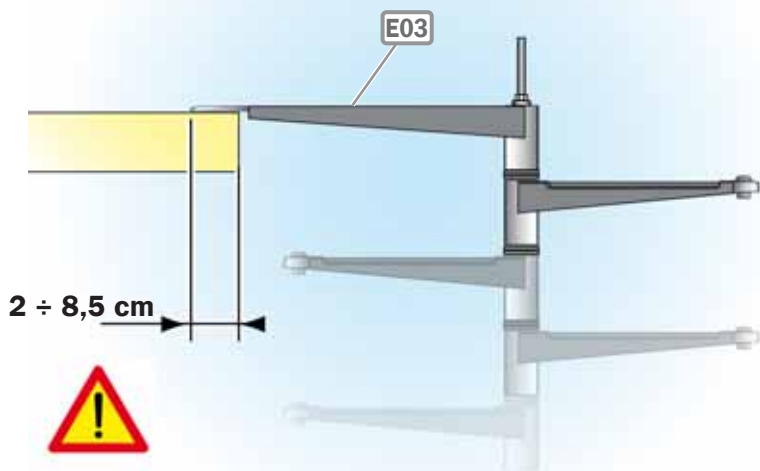
26



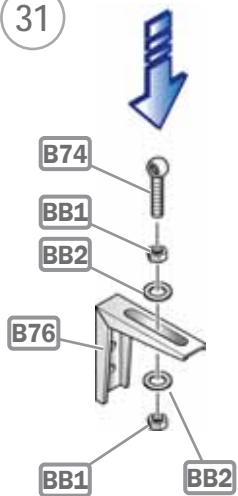


30





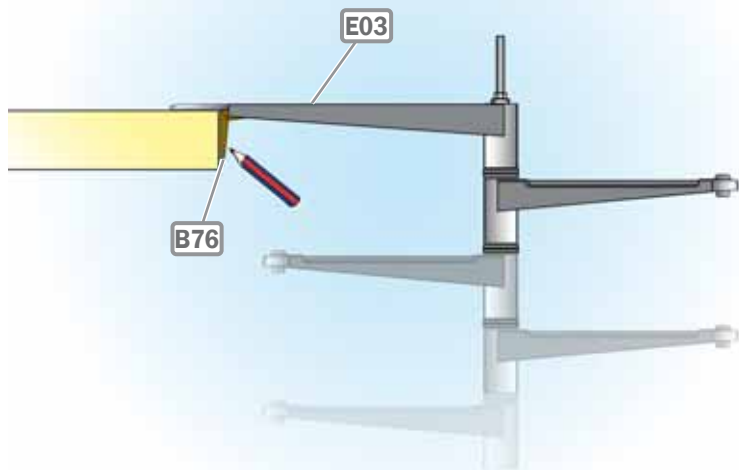
31



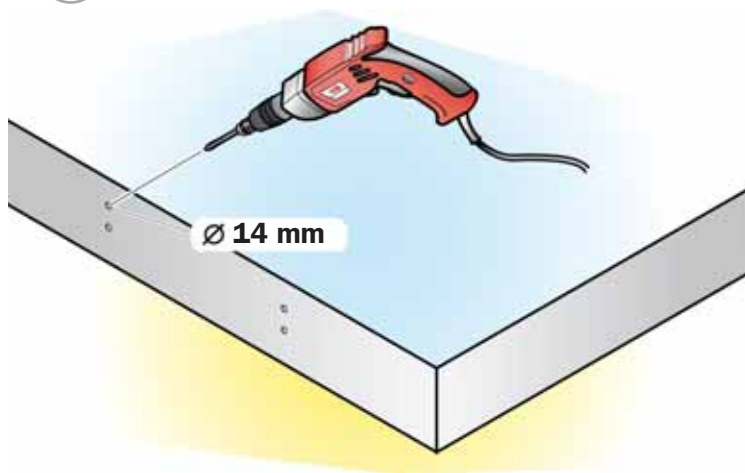
32



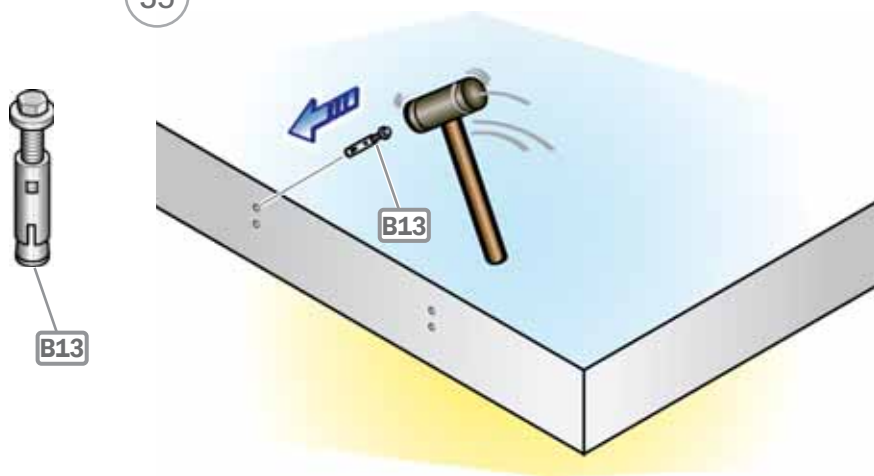
33



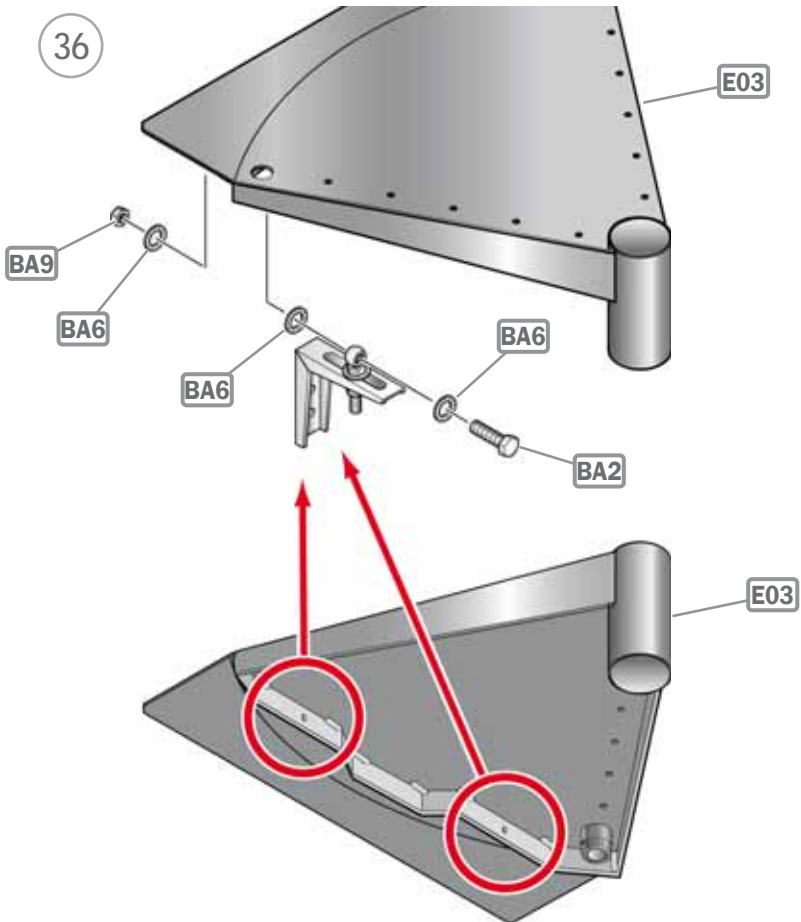
34



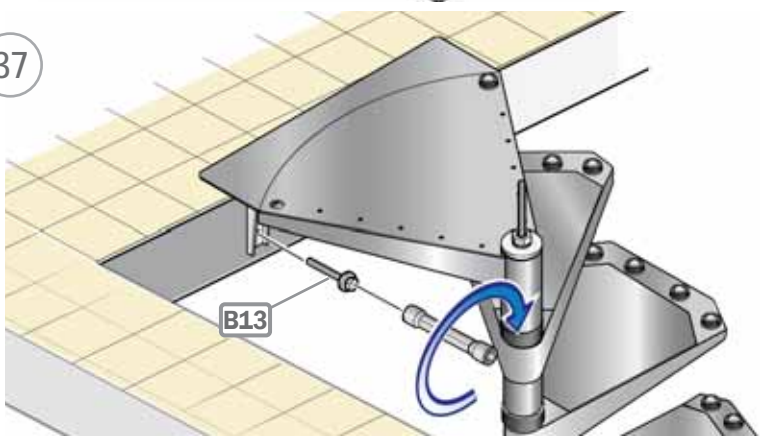
35

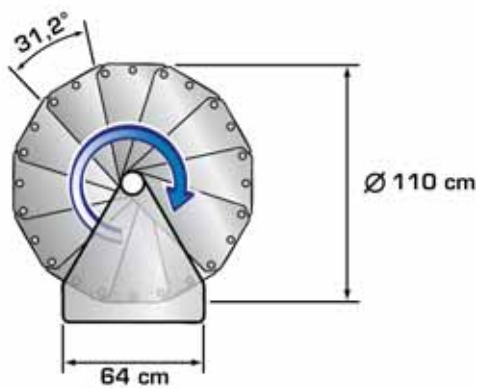
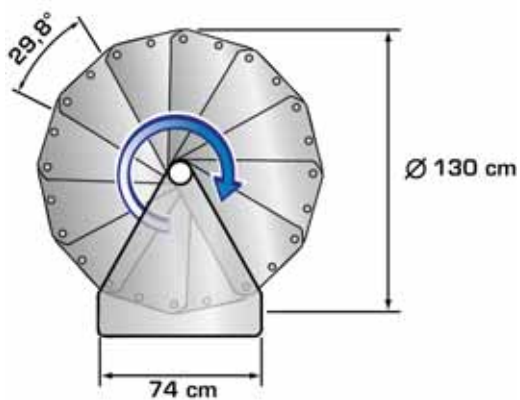
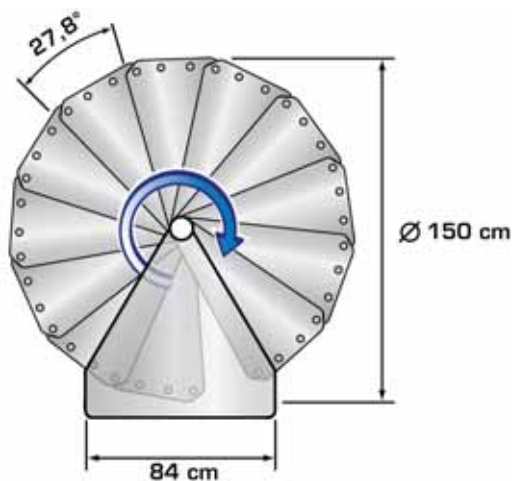


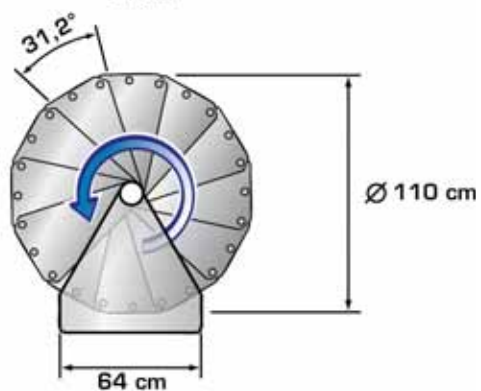
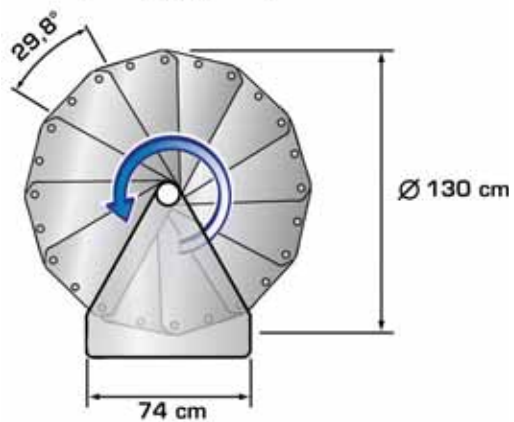
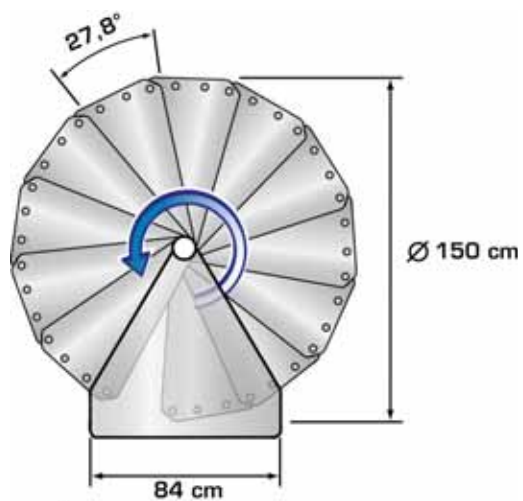
36



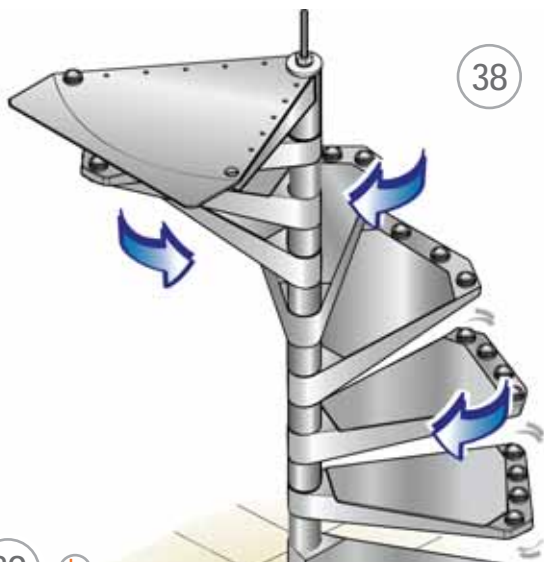
37



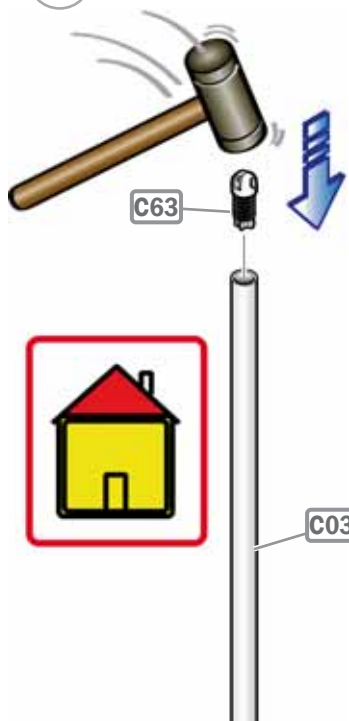




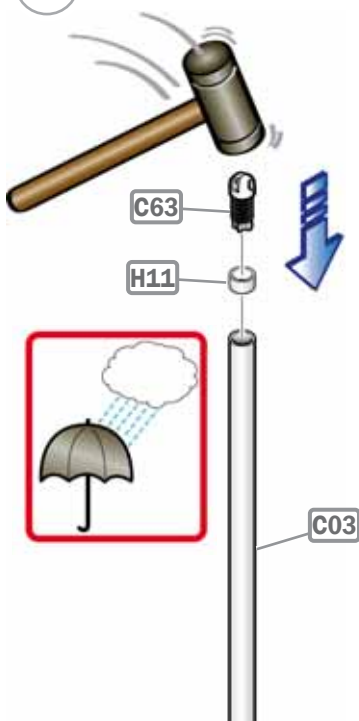
38



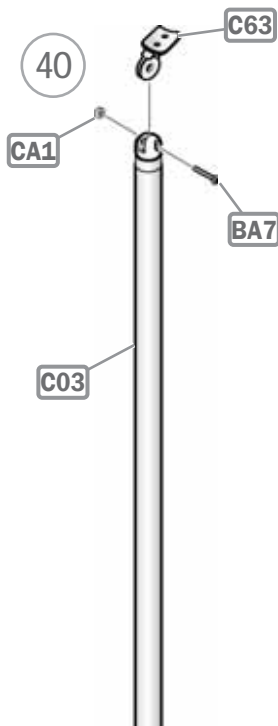
39 a

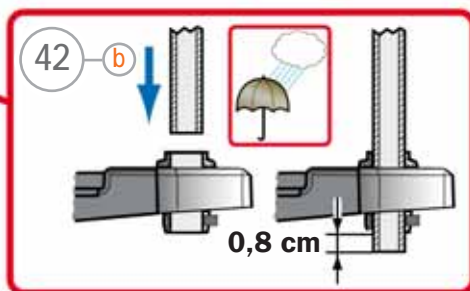
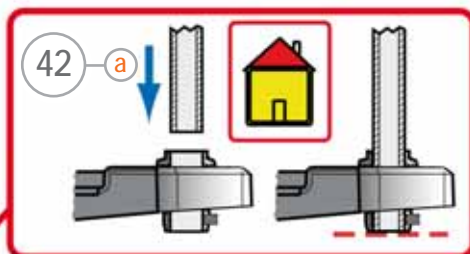
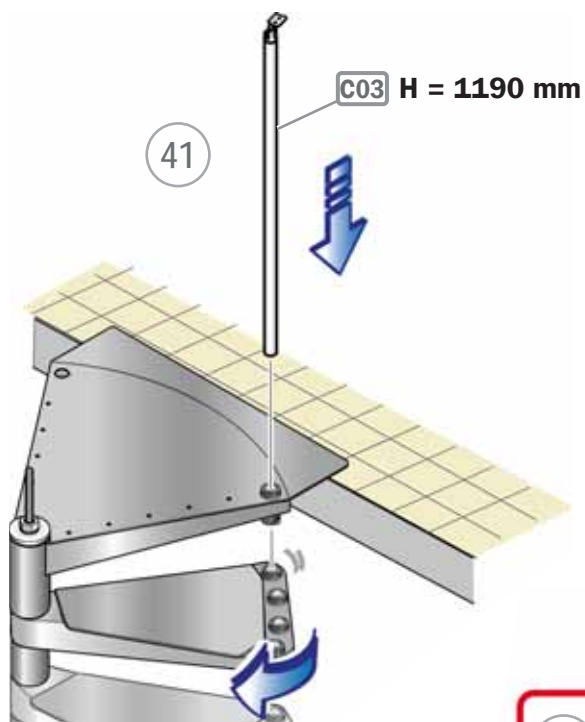


39 b



40

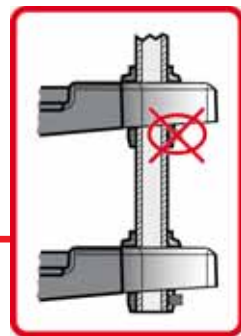
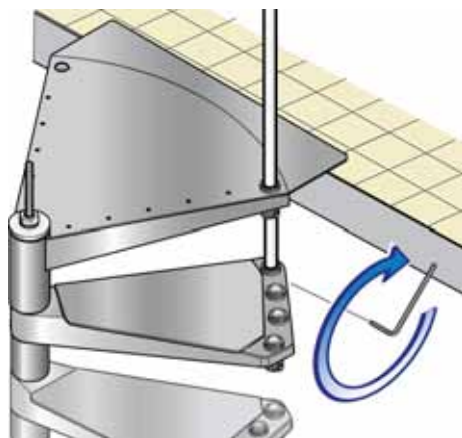




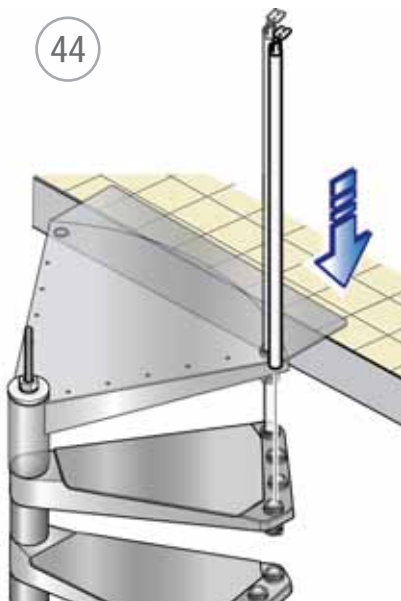
H11



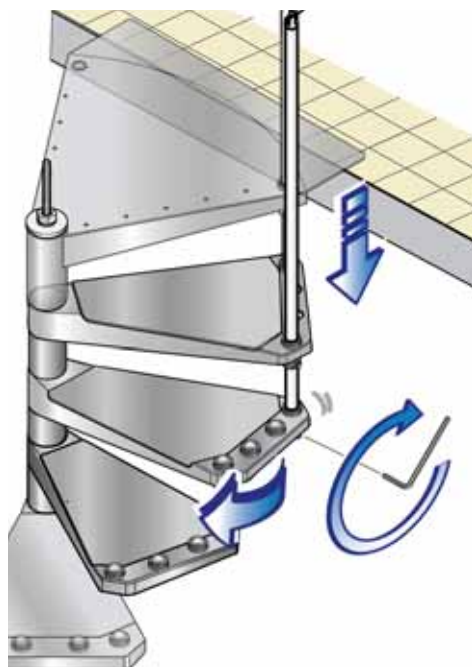
43



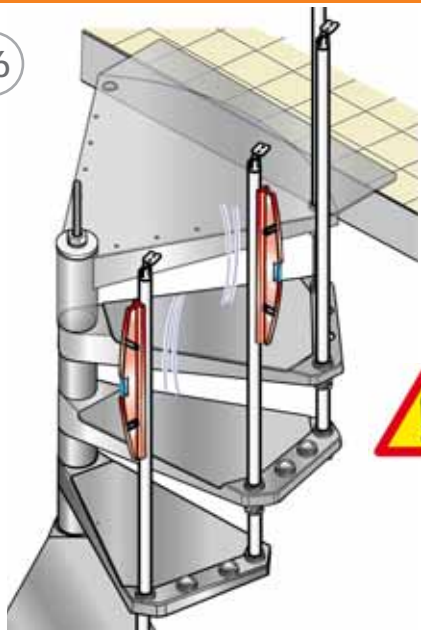
44



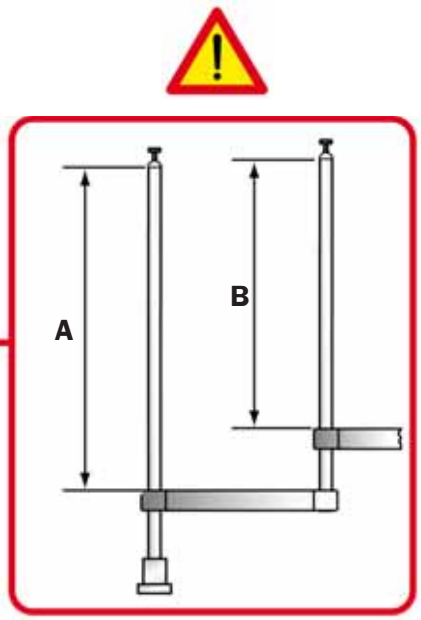
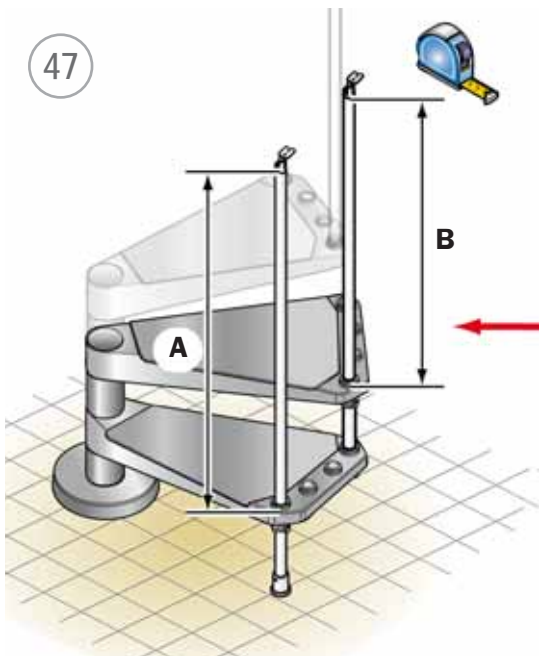
45



46

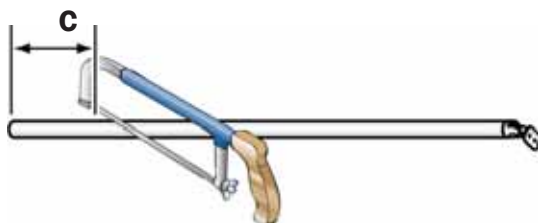


47

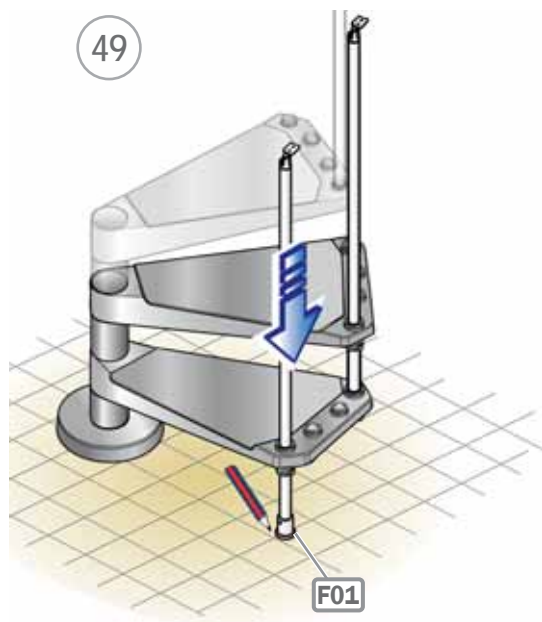


48

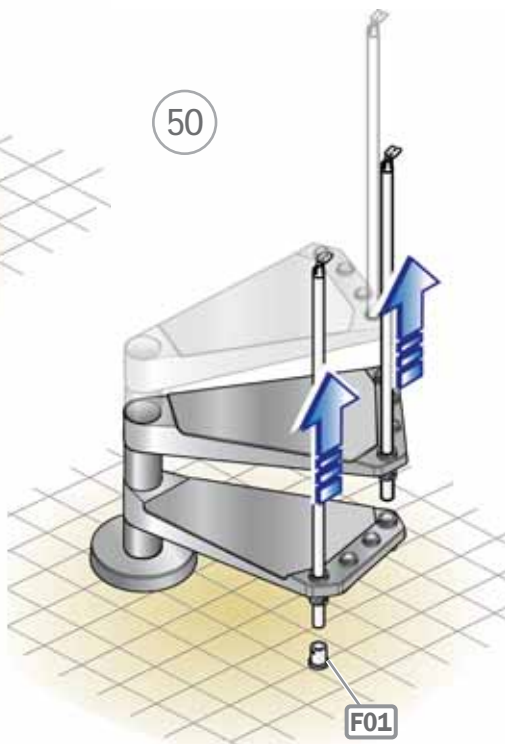
$$C = A - B$$



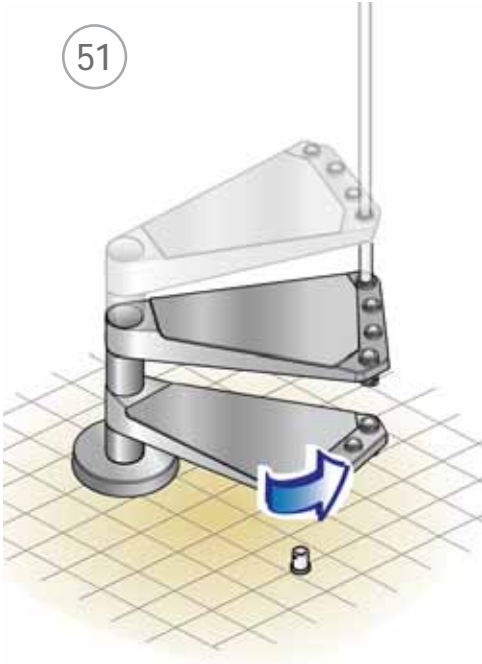
49



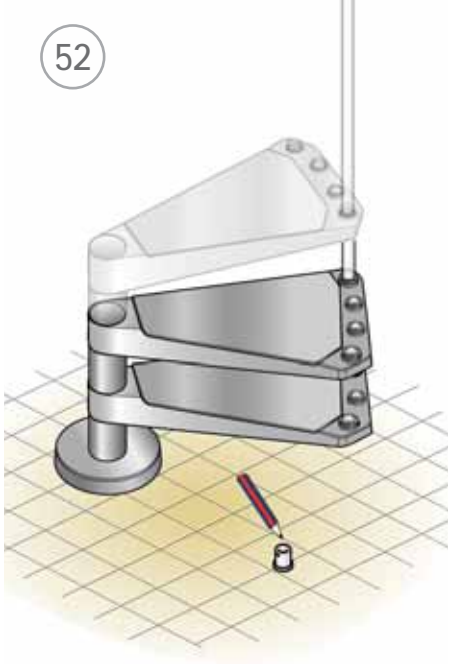
50



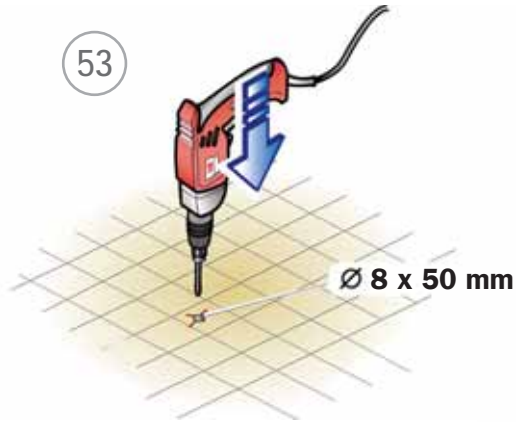
51



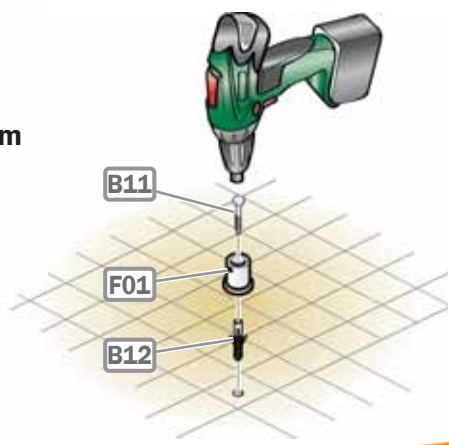
52



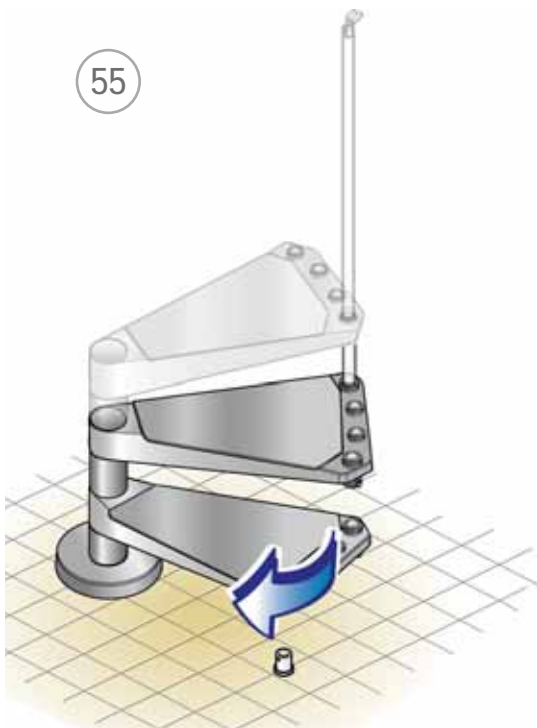
53



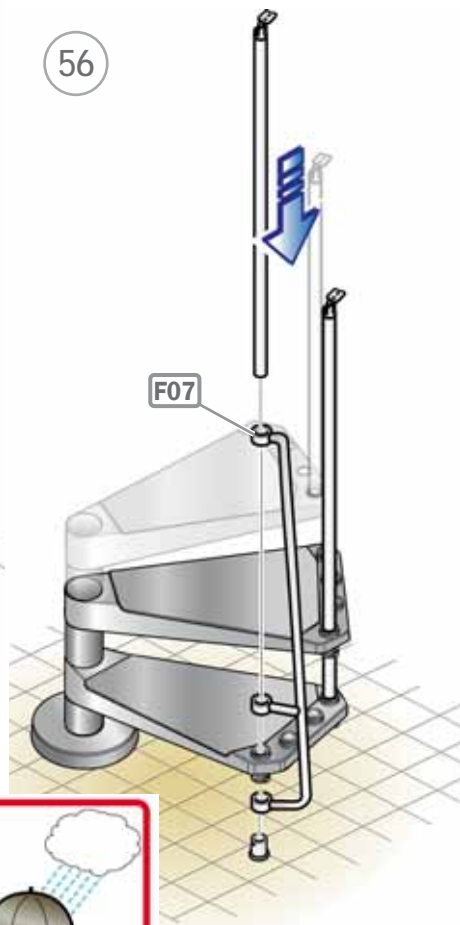
54



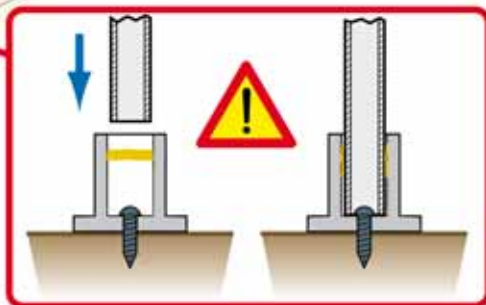
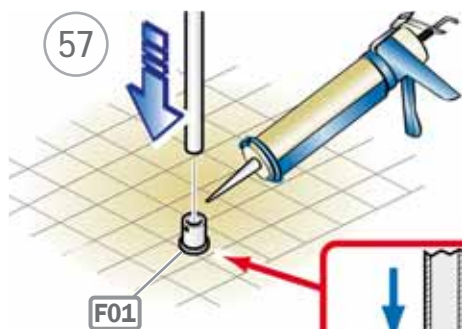
55



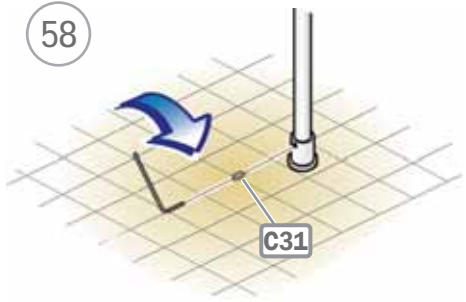
56



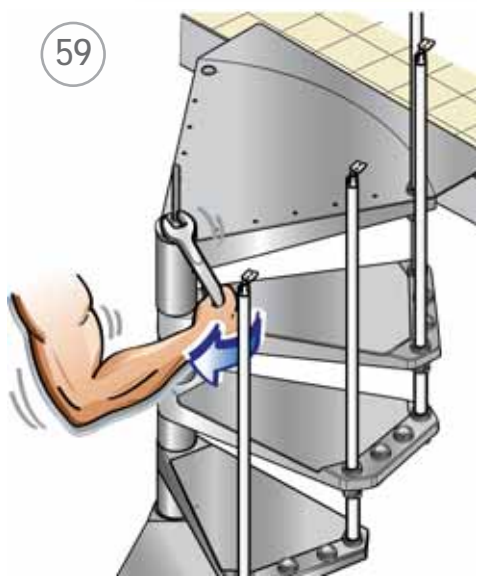
57



58



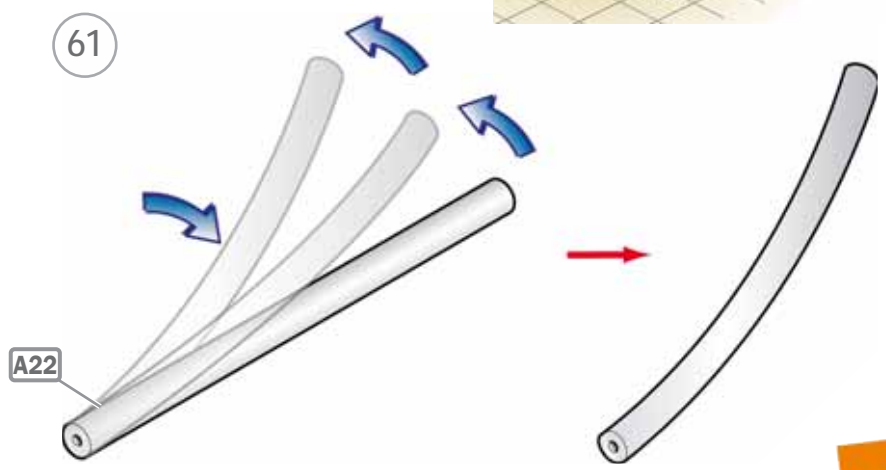
59

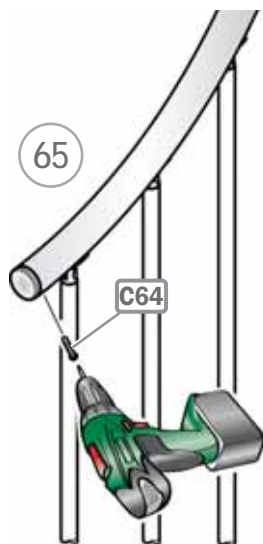
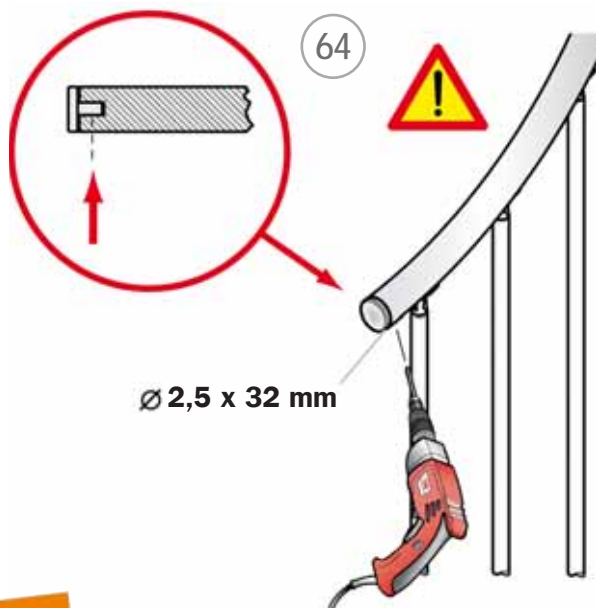
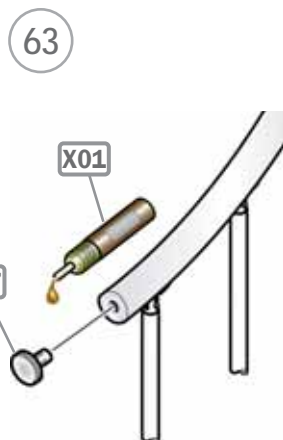
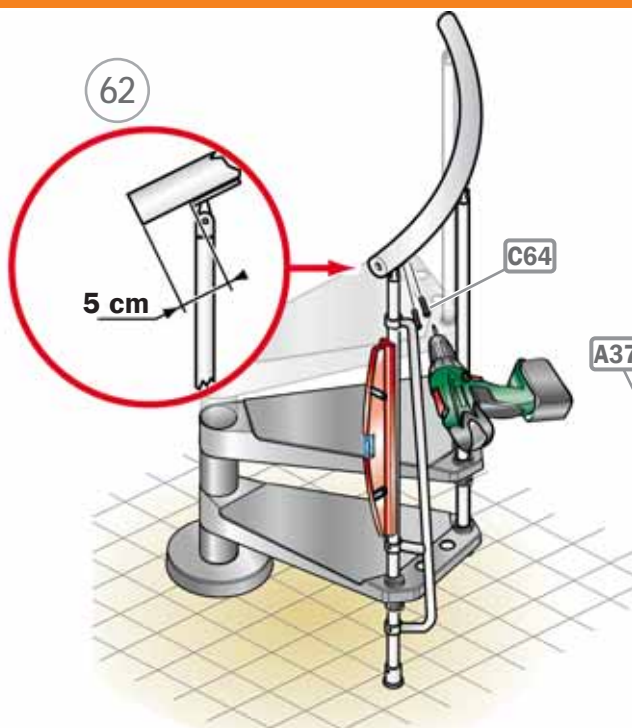


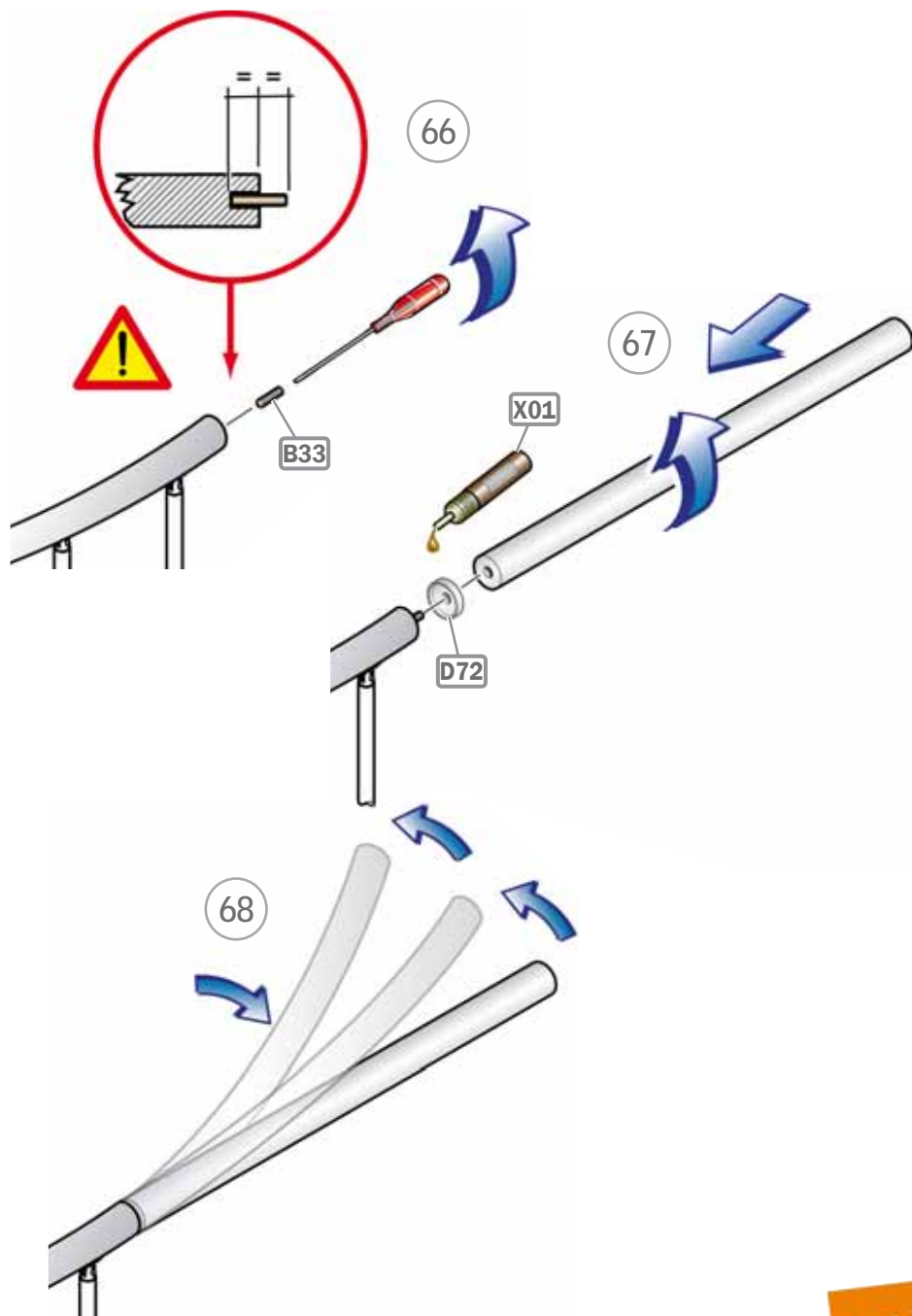
60

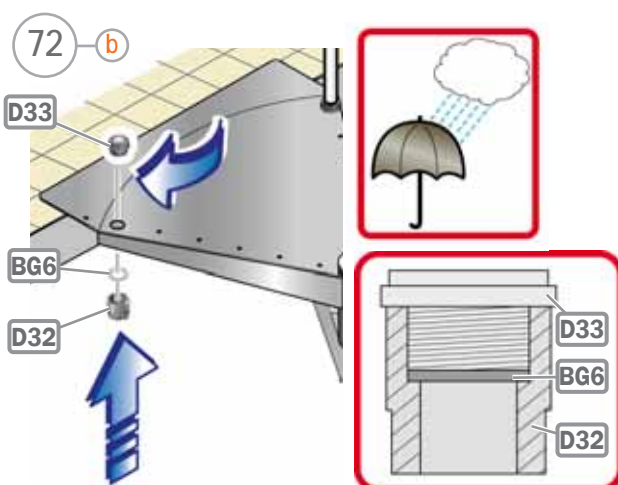
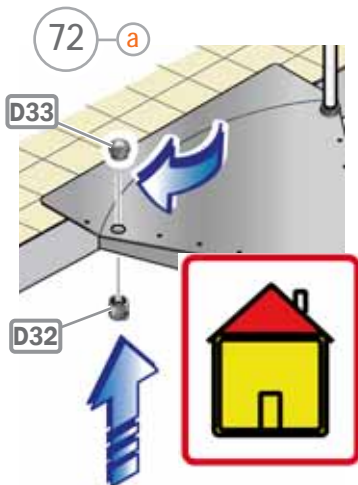
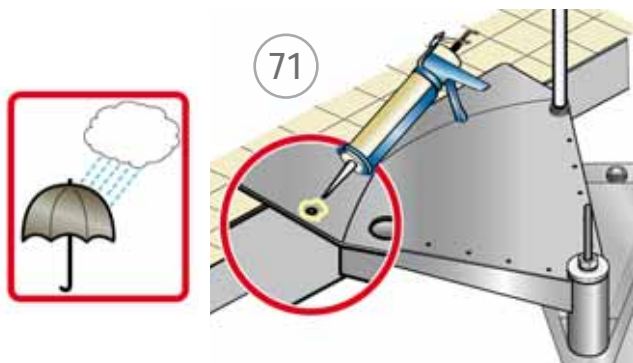
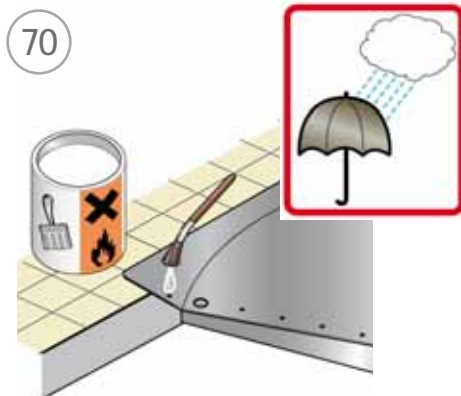
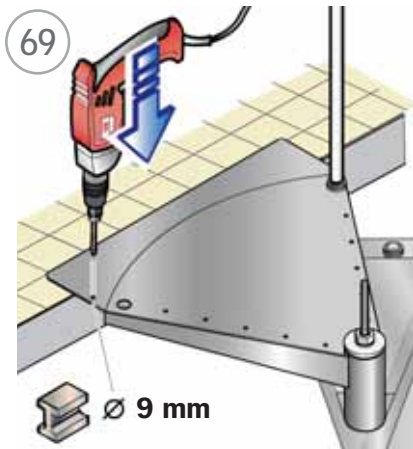


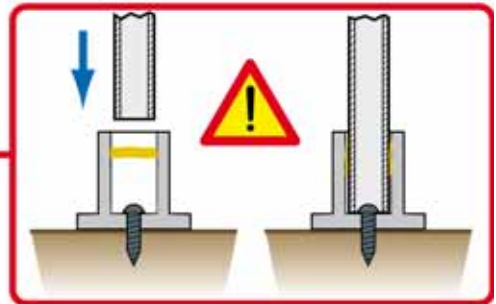
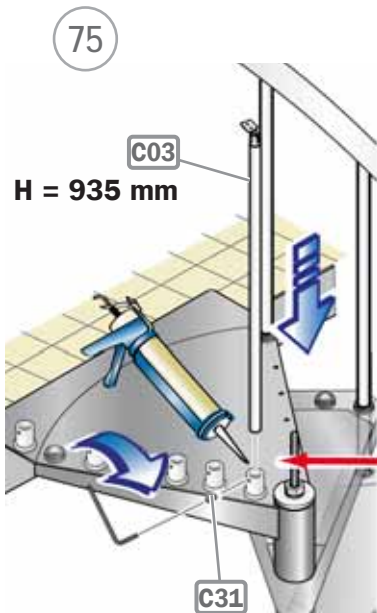
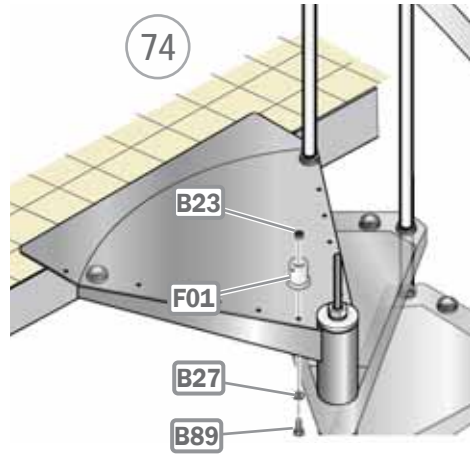
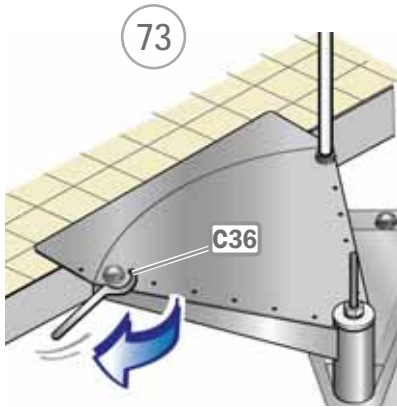
61





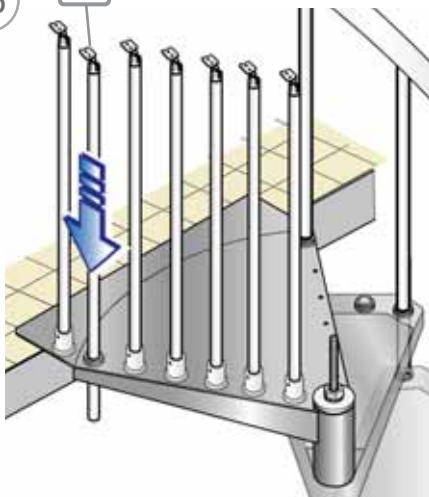






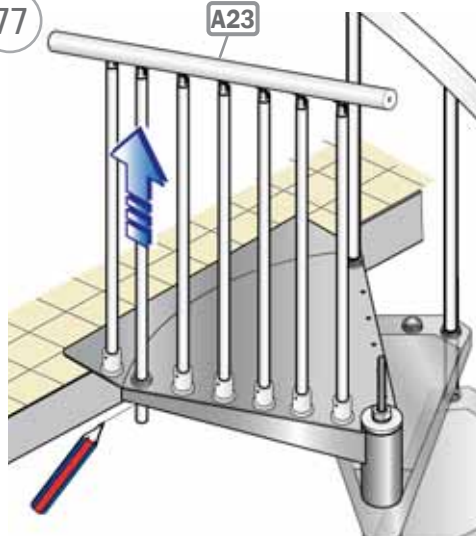
76

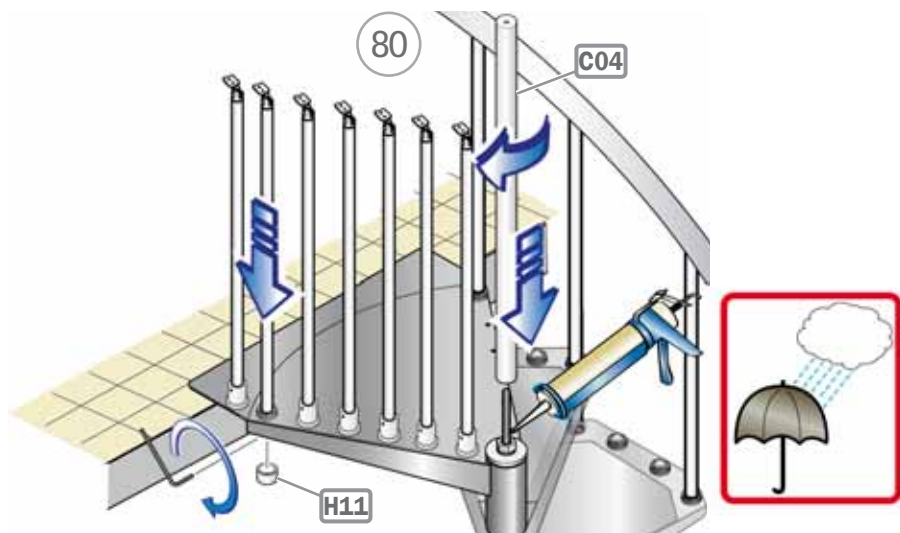
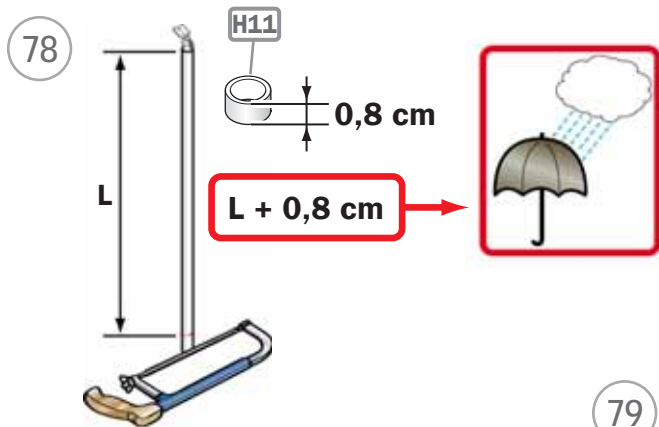
C03 H = 1060 mm



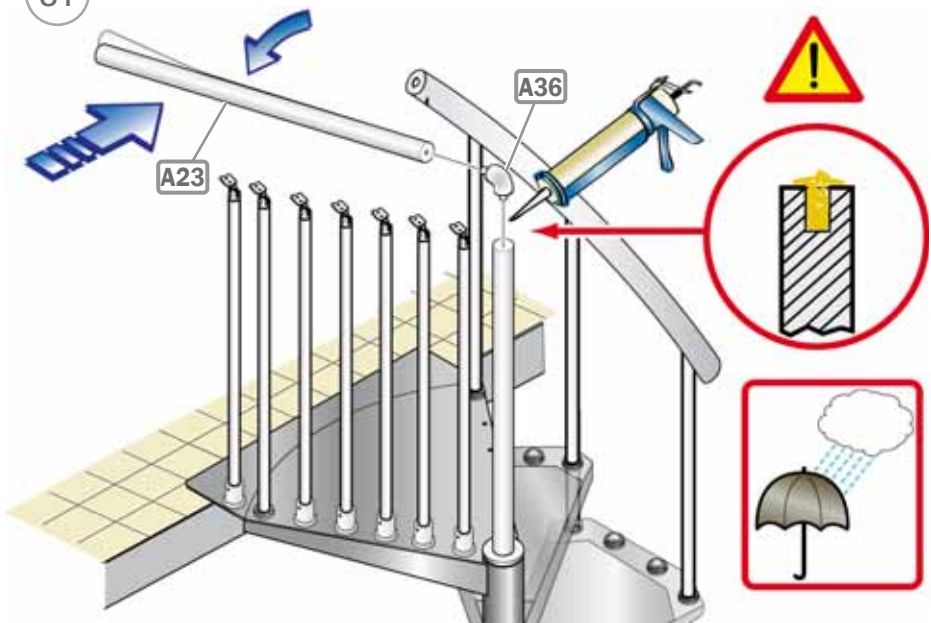
77

A23

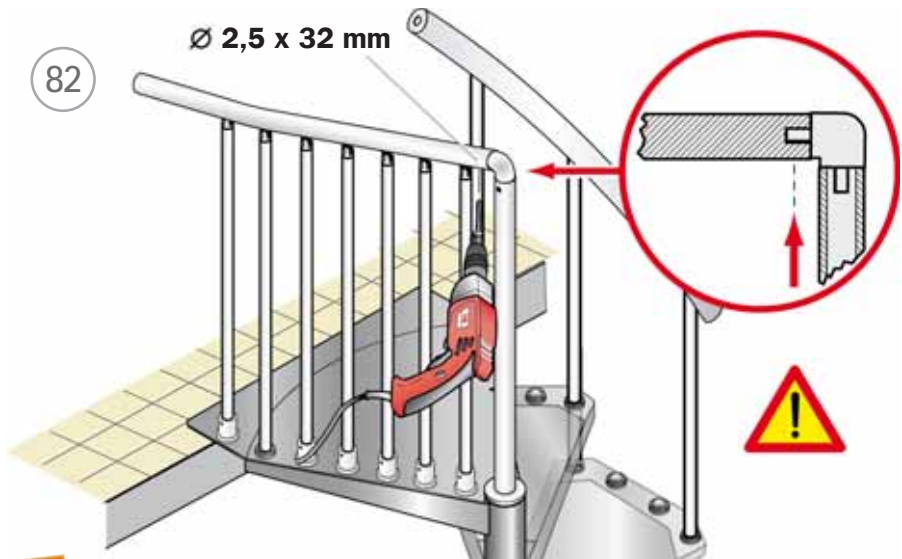


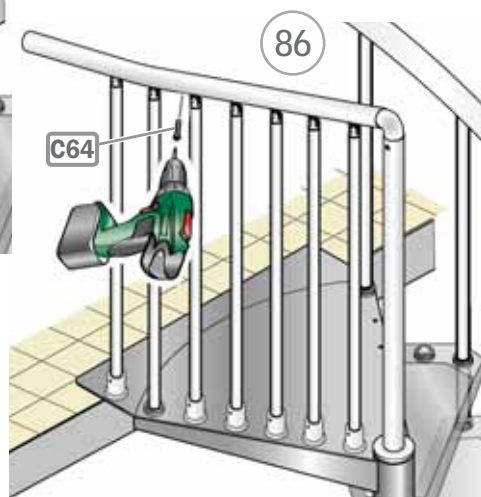
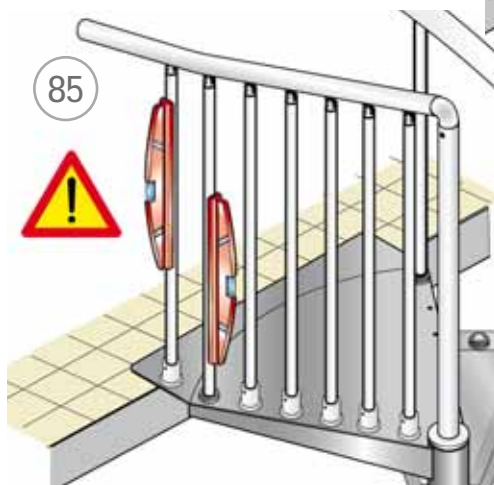
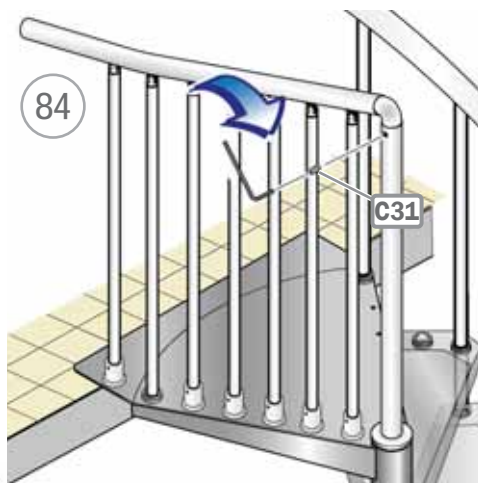
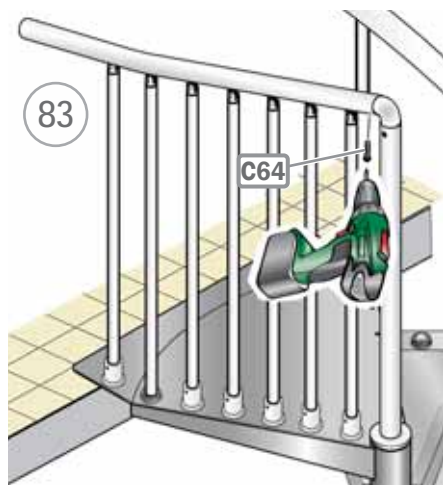


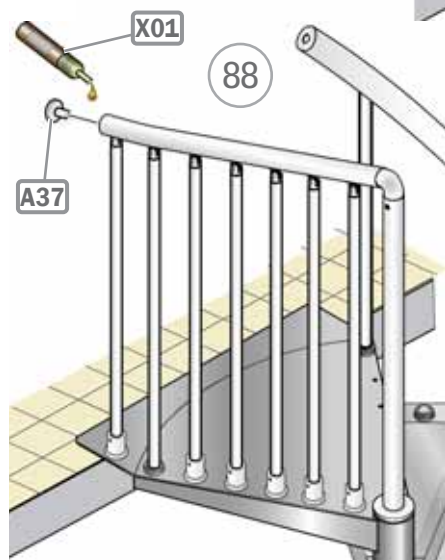
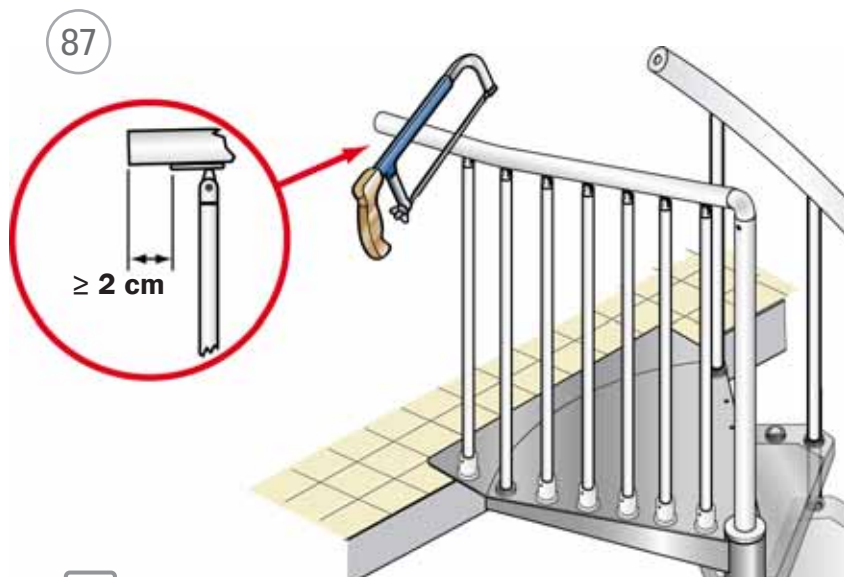
81

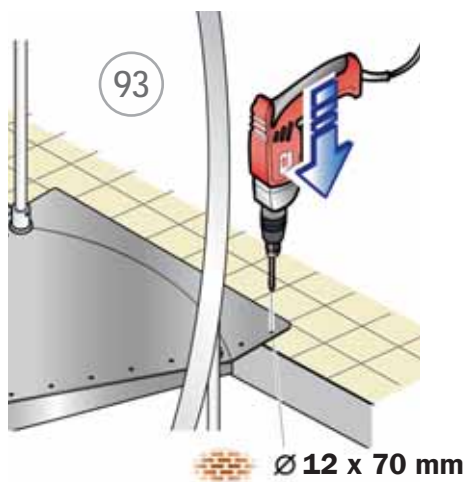
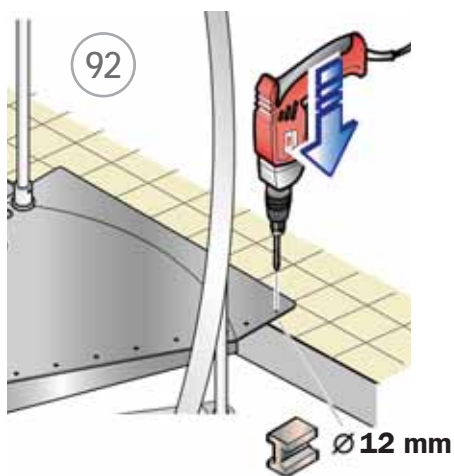
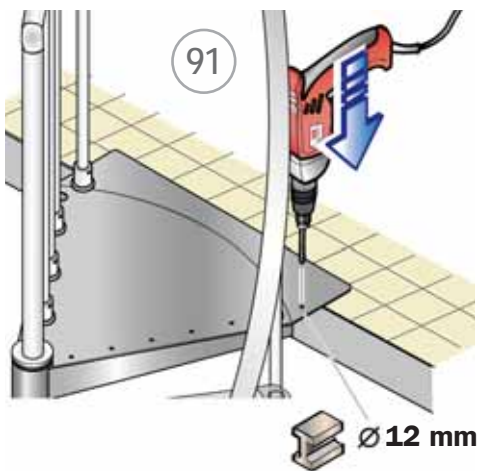
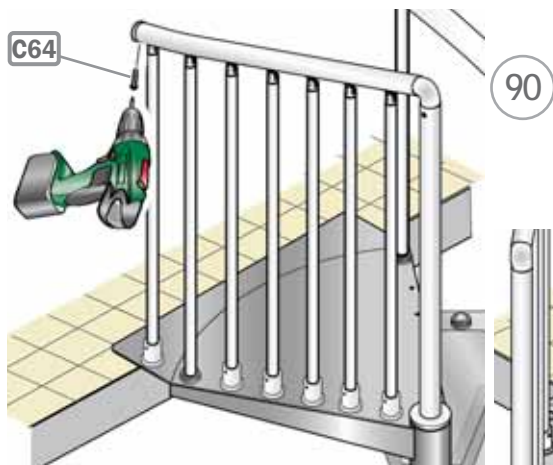


82

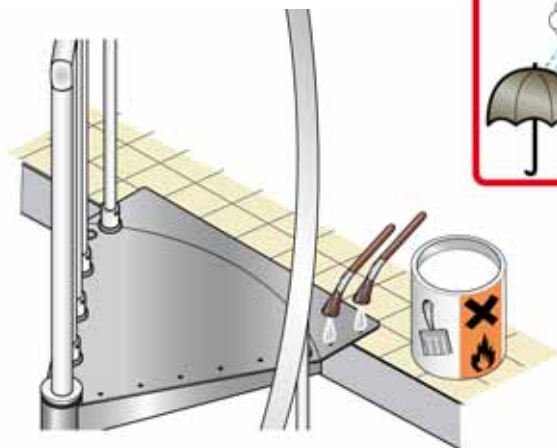




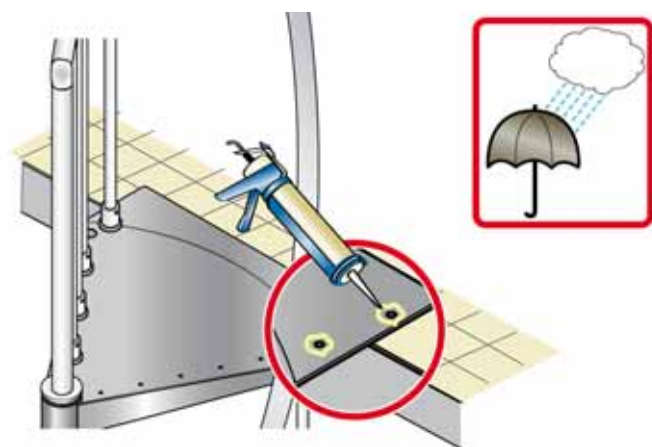


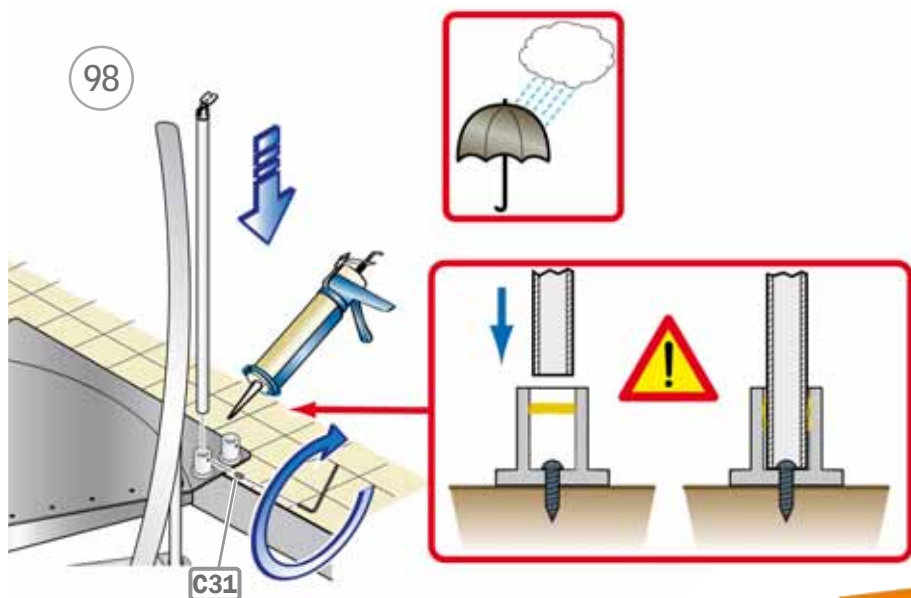
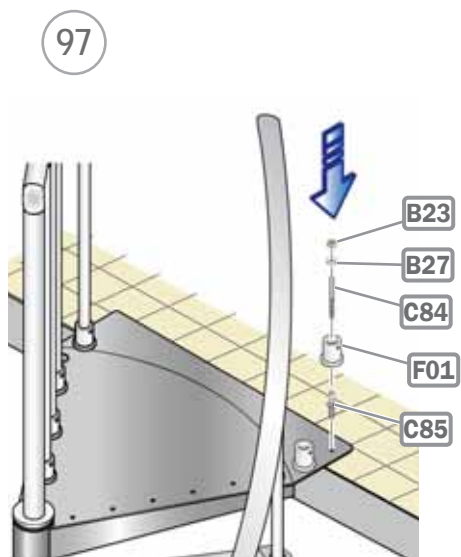
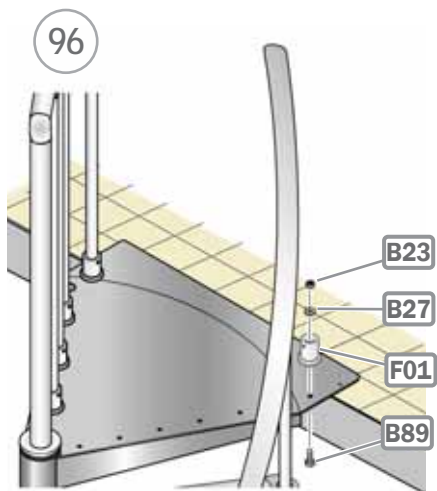


94

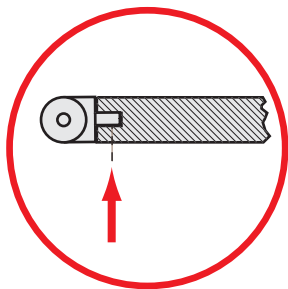
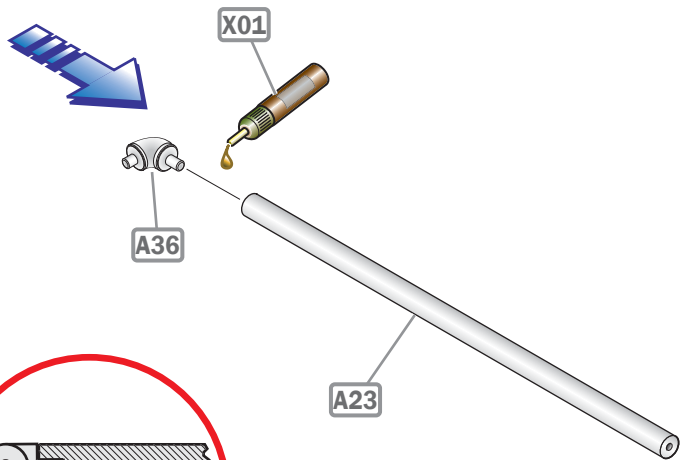


95



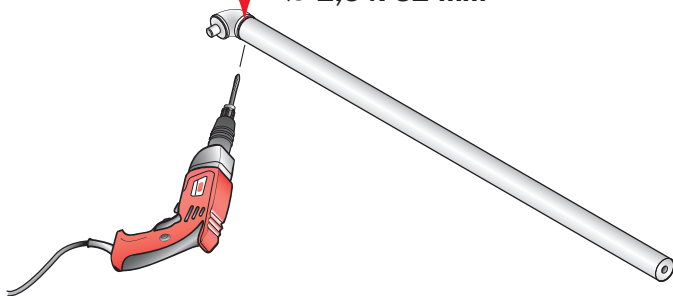


99

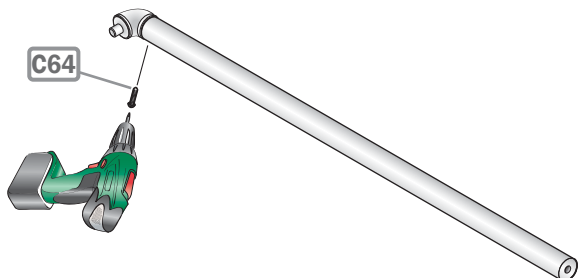


100

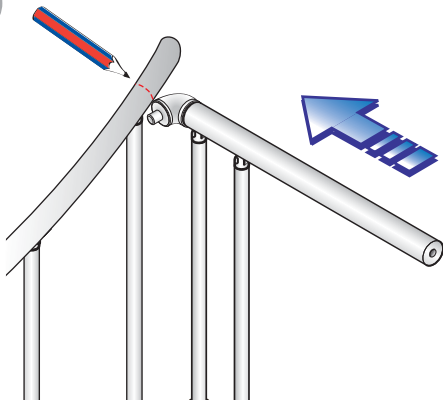
Ø 2,5 x 32 mm



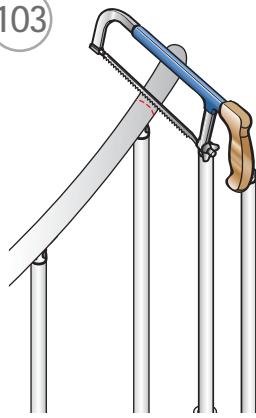
101



102

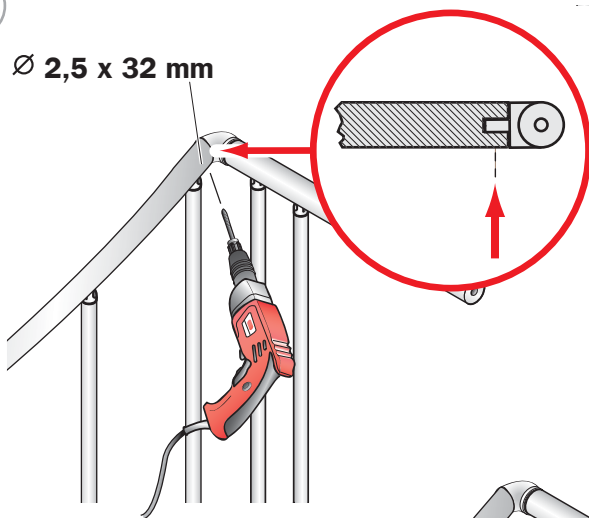


103

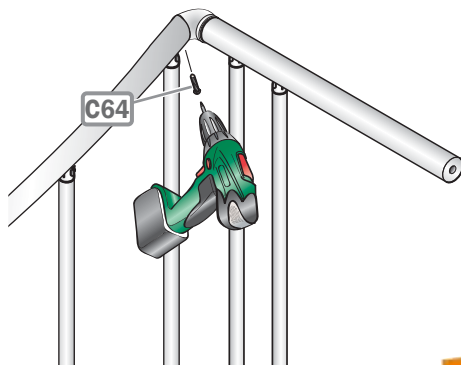


104

Ø 2,5 x 32 mm

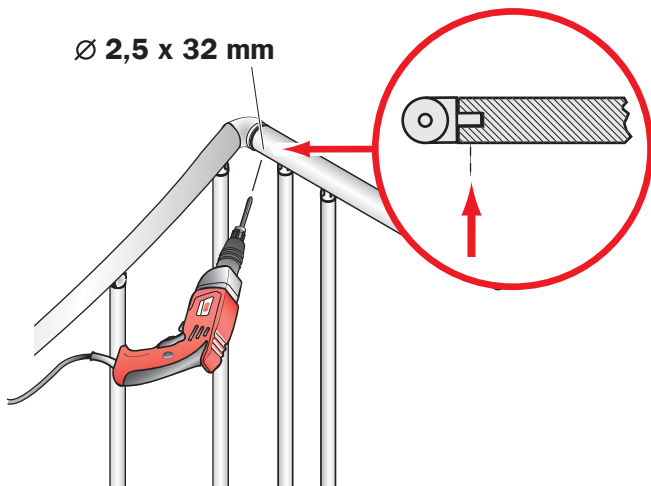


105



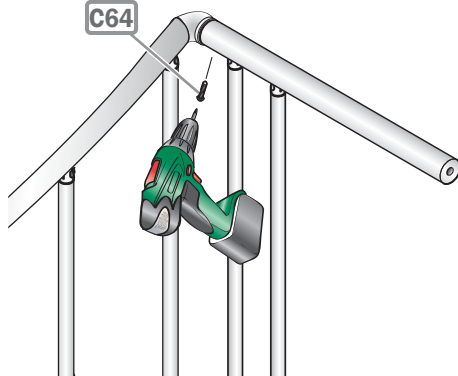
106

Ø 2,5 x 32 mm



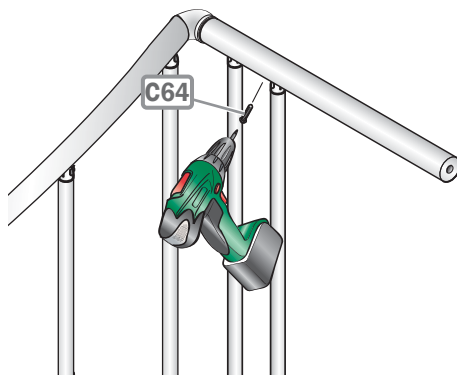
107

C64

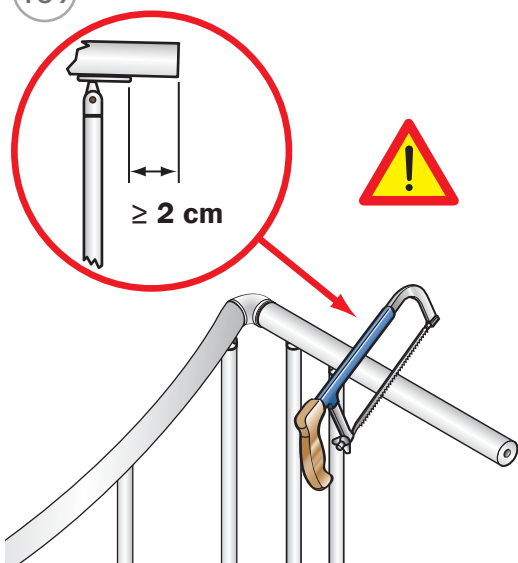


108

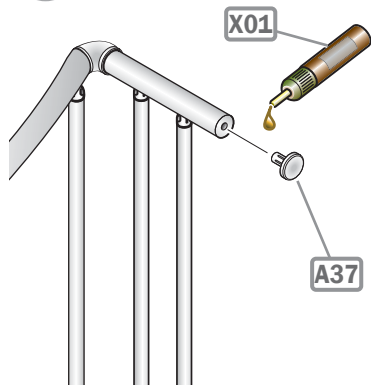
C64



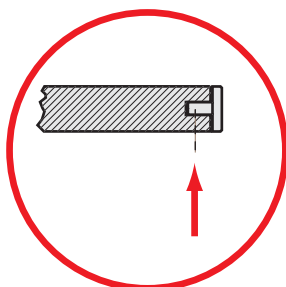
109



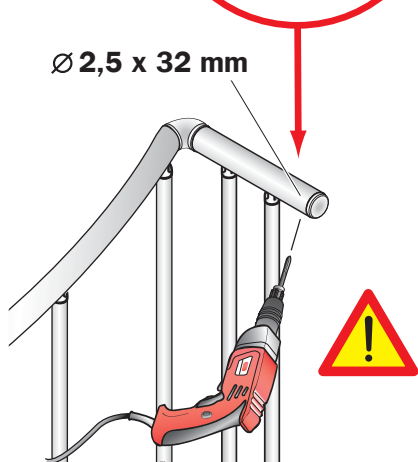
110



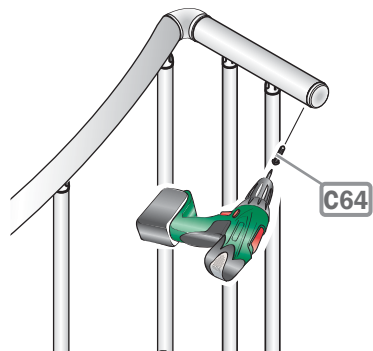
111

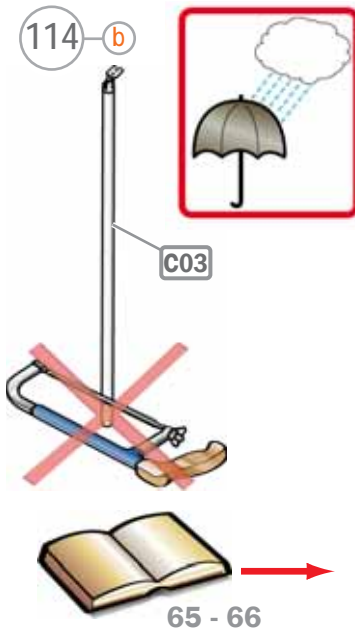
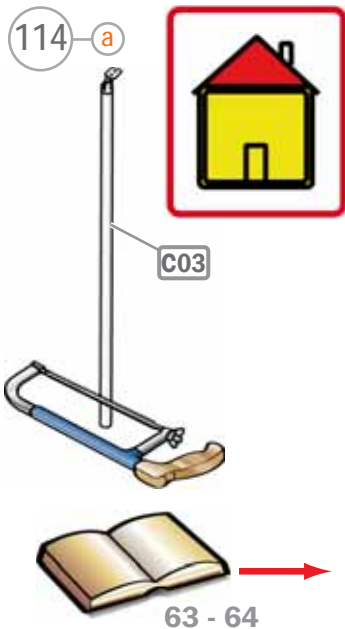
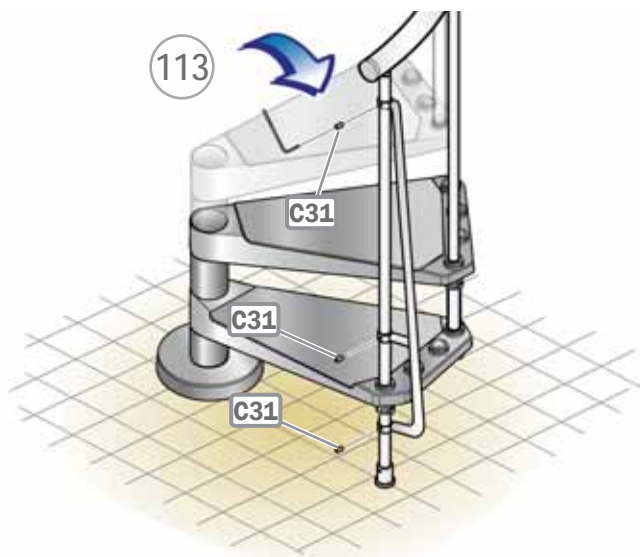


Ø 2,5 x 32 mm



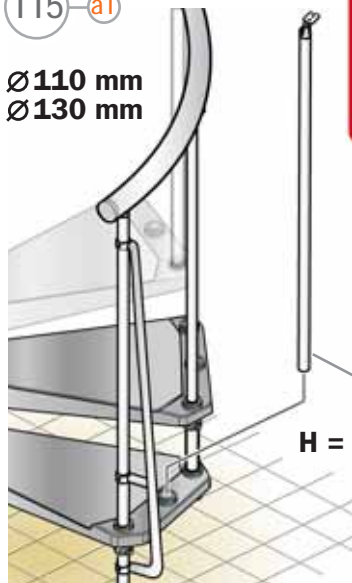
112





115-a1

Ø 110 mm
Ø 130 mm

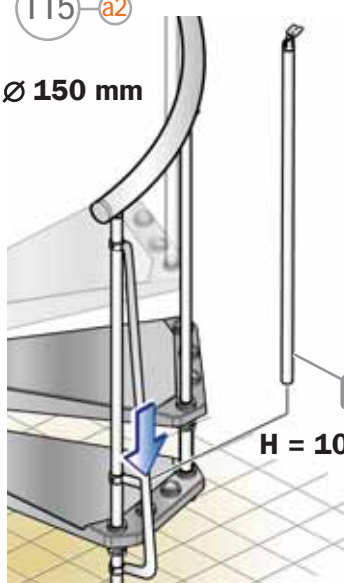


H = 1095 mm



115-a2

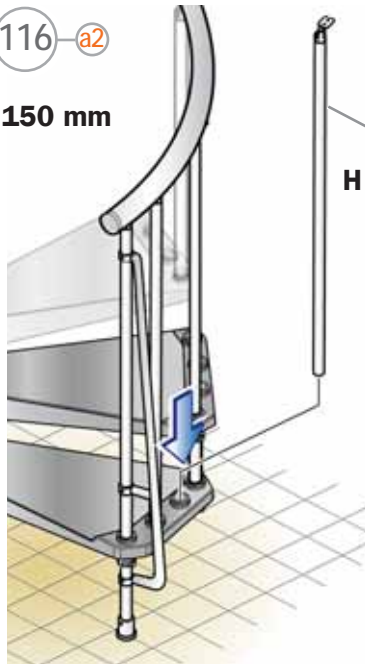
Ø 150 mm



H = 1060 mm

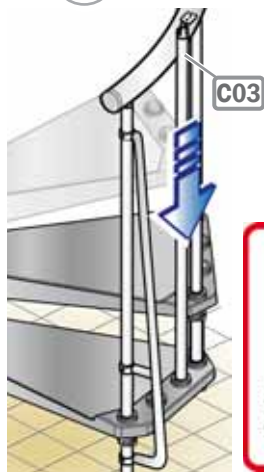
116-a2

Ø 150 mm

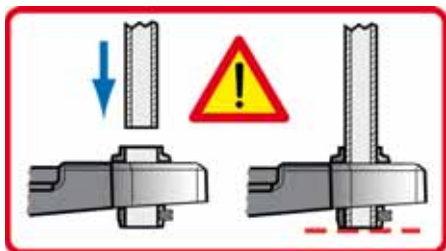
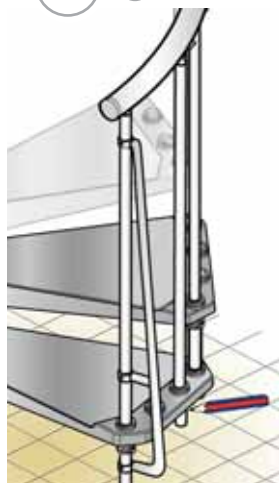


H = 1130 mm

117 a



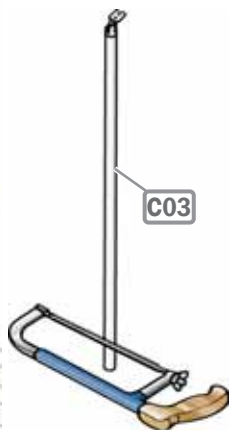
118 a



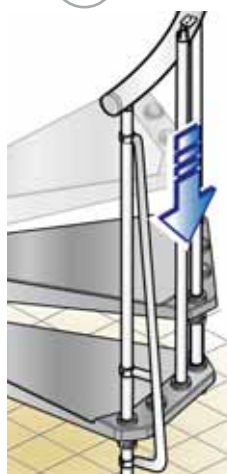
119 a

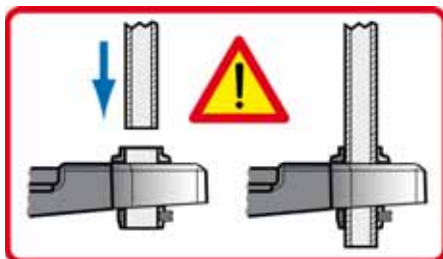


120 a



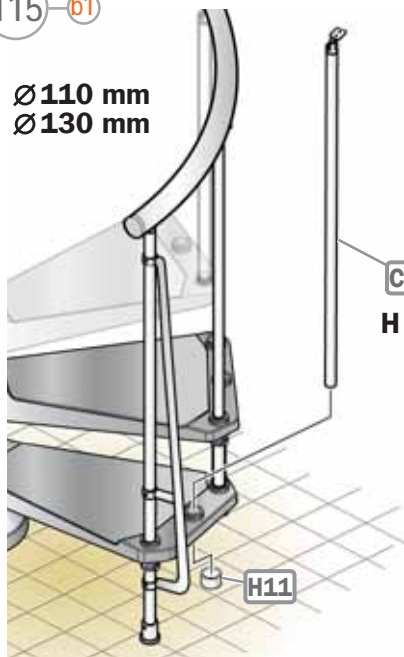
121 a





115 ^{b1}

Ø 110 mm
Ø 130 mm

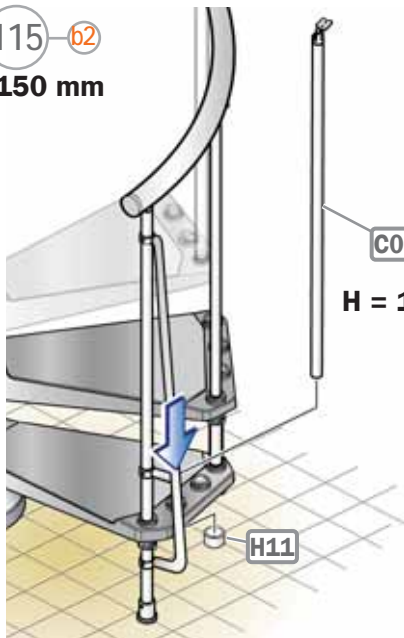


C03

H = 1095 mm

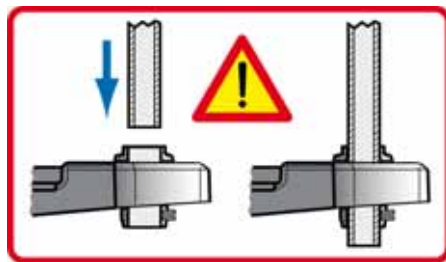
H11

115-b2
Ø 150 mm



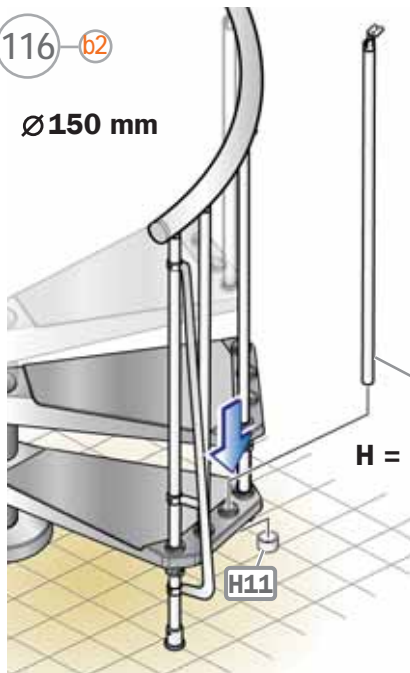
C03

H = 1060 mm



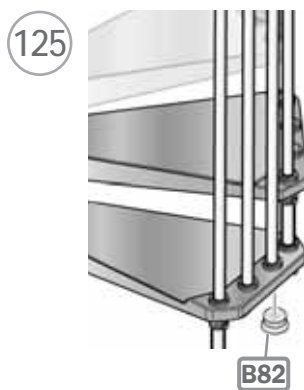
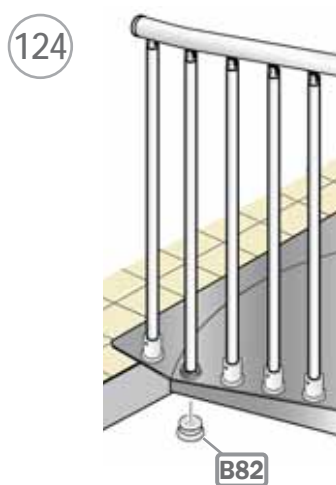
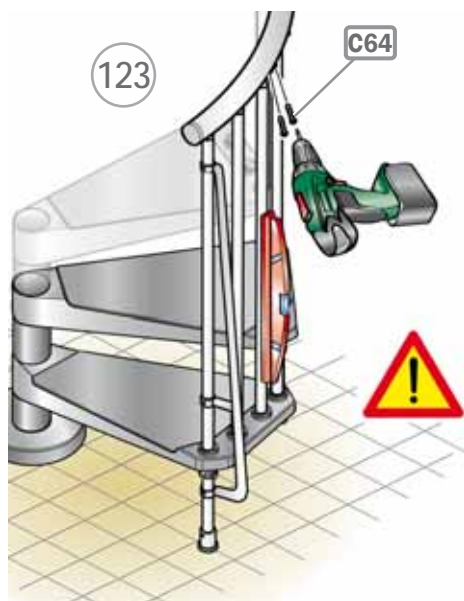
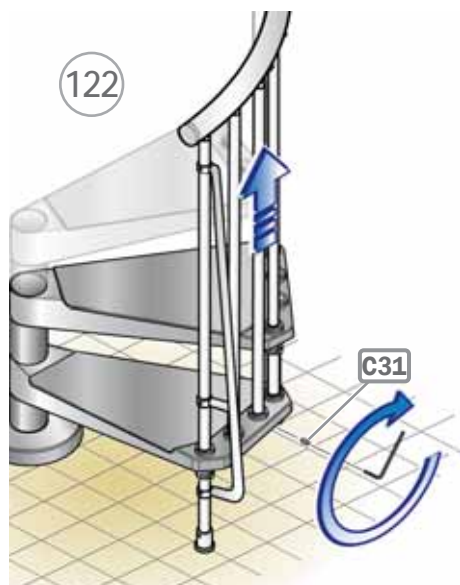
116-b2

Ø 150 mm

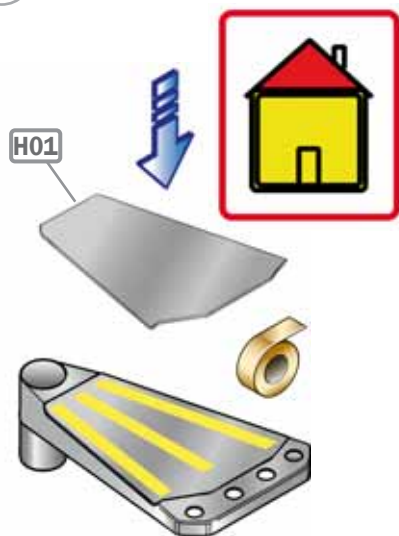


C03

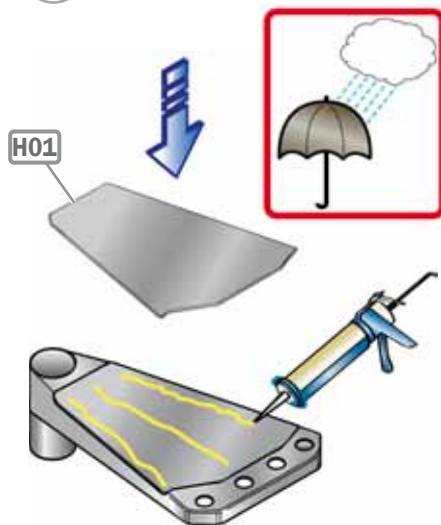
H = 1130 mm



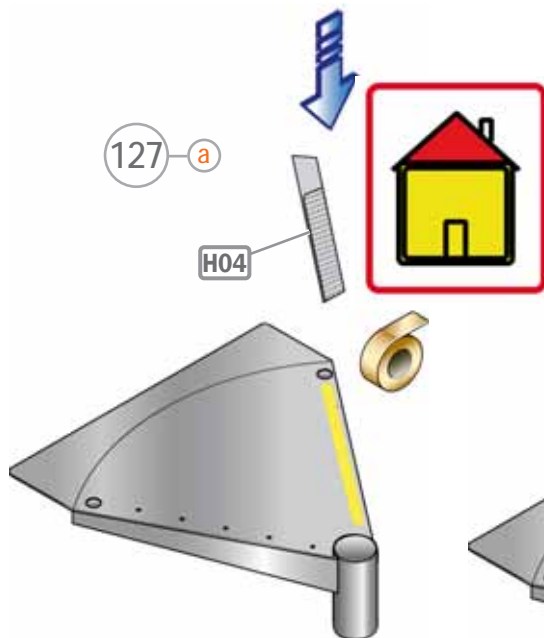
126 a



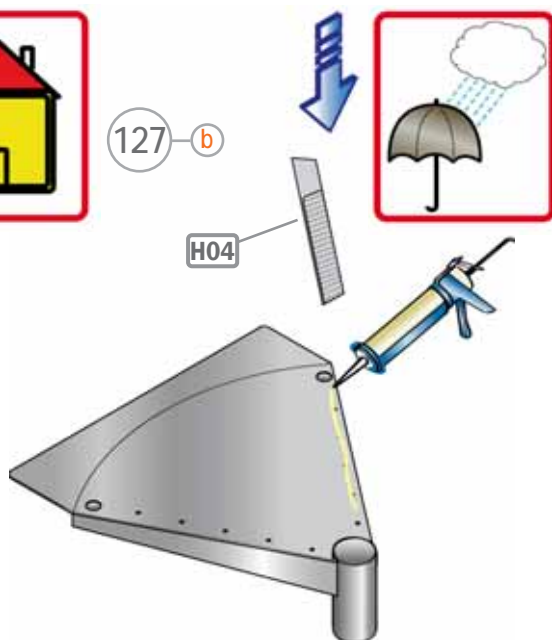
126 b



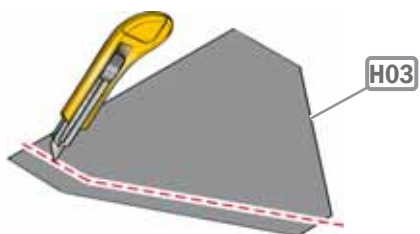
127 a



127 b



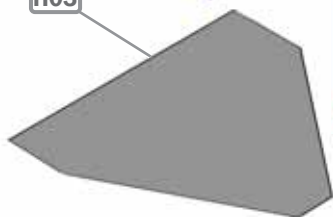
128



129 a



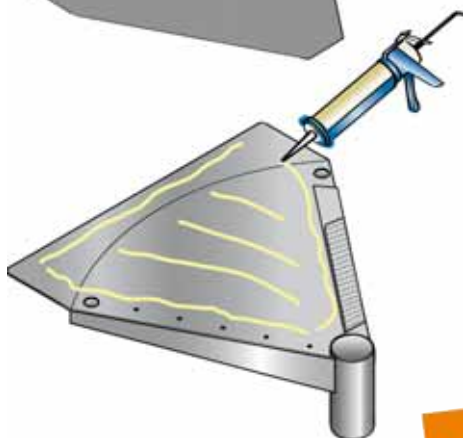
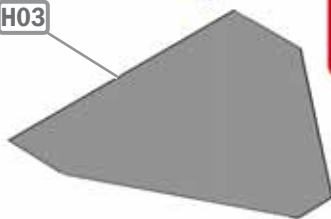
H03

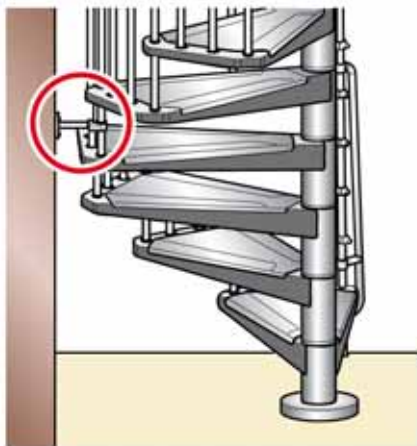
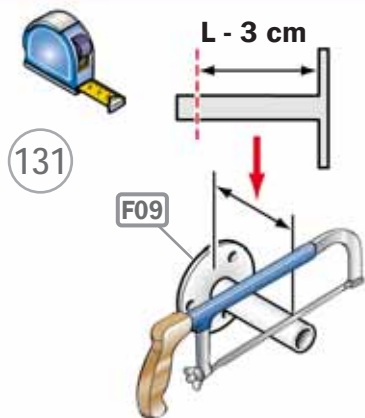
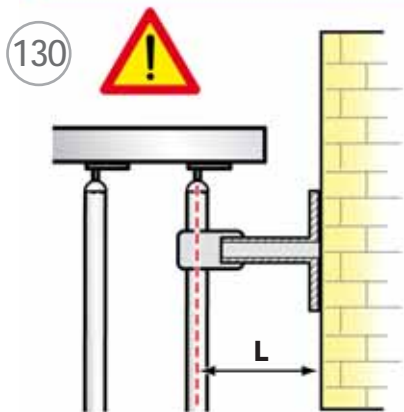
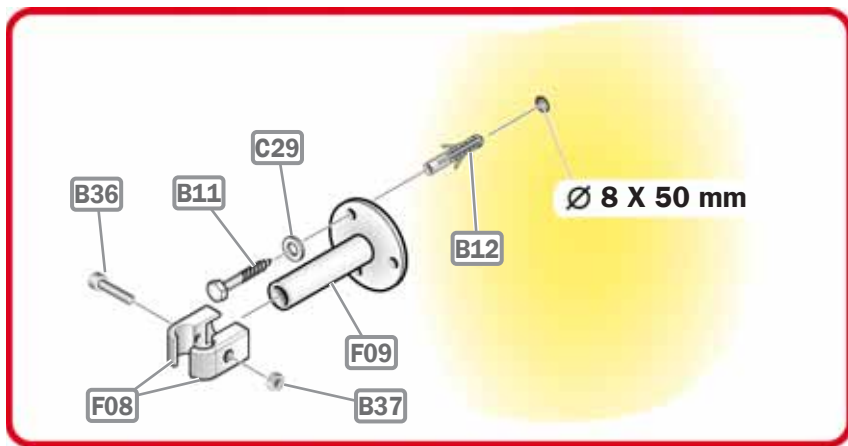


129 b



H03



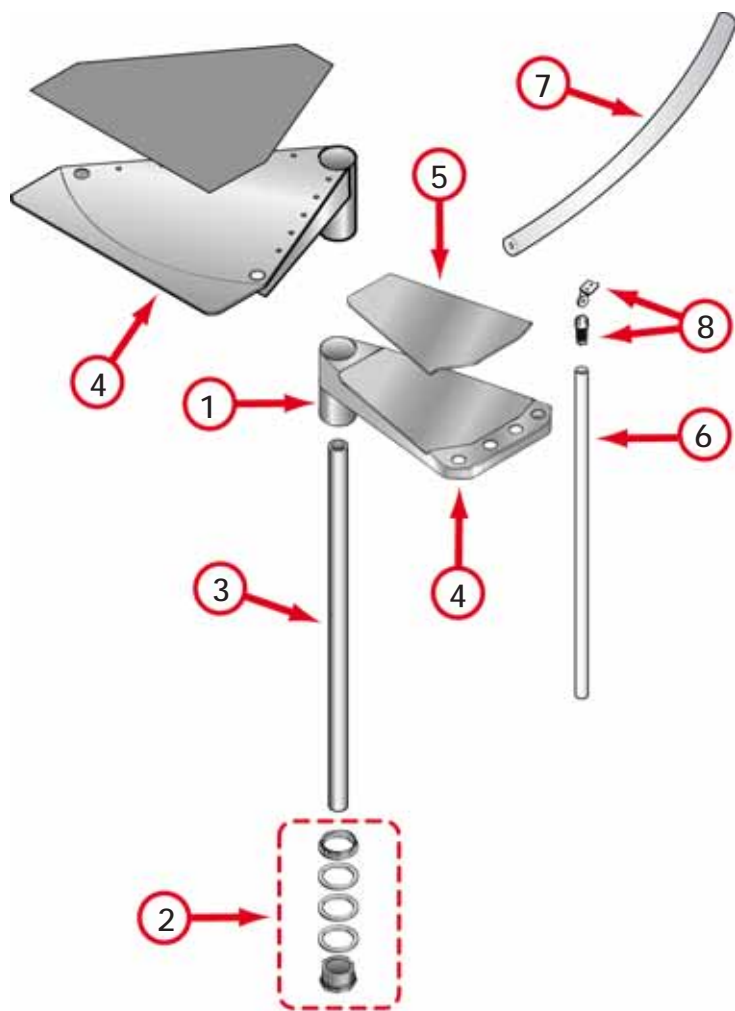




Italiano
English
Deutsch
Français
Español

DATI IDENTIFICATIVI DEL PRODOTTO
PRODUCT DETAILS
PRODUKTEIGENSCHAFTEN
DONNÉES D'IDENTIFICATION DU PRODUIT
DATOS DE IDENTIFICACIÓN





IT)

dati identificativi del prodotto

denominazione commerciale: **MAGIA 50**

tipologia: scala a chiocciola a pianta tonda

materiali impiegati

STRUTTURA

descrizione

composta da distanziali **(1)** in metallo (saldati al gradino) e spessori **(2)** in plastica impilati e compressi sul palo **(3)** centrale modulare

materiali

distanziali: Fe 370

spessori: materiale plastico nylon

palo: Fe 370 zincato

finitura

distanziali: mano di fondo ai fosfati di zinco e verniciatura a forno con polveri poliestere

GRADINI

descrizione

gradini **(4)** in metallo circolari impilati sul palo **(3)** centrale corredati da un pannello **(5)** antiscivolo ed antiusura

materiali

gradini: lamiera Fe 370 spessore 25/10

pannello antiscivolo: polipropilene

finitura

gradini: mano di fondo ai fosfati di zinco e verniciatura a forno con polveri poliestere

RINGHIERA

descrizione

composta da colonnine **(6)** verticali in metallo fissate ai gradini **(4)** e da un corrimano **(7)** di PVC

materiali

colonnine: Fe 370

corrimano: PVC con anima in alluminio

fissaggi **(8)**: nylon

finitura

colonnine: mano di fondo ai fosfati di zinco e verniciatura a forno con polveri poliestere

PULIZIA

lavare con acqua dolce e detersivi non aggressivi, senza usare getti d'acqua sotto pressione.

MANUTENZIONE

dopo circa 12 mesi dalla data di installazione, controllare il serraggio della viteria dei vari componenti. la manutenzione straordinaria deve essere eseguita a regola d'arte.

PRECAUZIONI D'USO

evitare usi impropri e non consoni al prodotto. eventuali manomissioni o installazioni non rispondenti alle istruzioni del produttore possono inficiare le conformità prestabilite del prodotto.

EN)

product details

trade name: **MAGIA 50**

type: spiral round staircase

used materials

STRUCTURE

description

composed of metal spacers **(1)** (welded to the tread) and of plastic spacers **(2)** stacked and packed on the central modular pole **(3)**

materials

spacers: Fe 370

plastic spacers: nylon

pole: Fe 370 galvanized

finishing

spacers: zinc phosphate primer and polyester powder coating

TREADS

description

circular metal treads **(4)** stacked on the central pole **(3)** equipped by an antiskid and antiwear panel **(5)**

materials

treads: plate Fe 370 thickness 25/10

antiskid panel: polypropylene

finishing

treads: zinc phosphate primer and polyester powder coating

RAILING

description

composed of vertical metal balusters **(6)** fixed to the treads **(4)** and of a PVC handrail **(7)**

materials

balusters: Fe 370

handrail: PVC with aluminium core

fixings **(8)**: nylon

finishing

balusters: zinc phosphate primer and polyester powder coating

CLEANING

wash with fresh water and non-aggressive detergents, without using pressurized water.

MAINTENANCE

about 12 months after the installation date, check the tightening of bolts on the various components. all non-routine maintenance procedures must be carried out in a strictly professional manner.

USE PRECAUTION

avoid any improper use that is not in accordance with the product. possible violations or installations which don't comply with the providers instructions can invalidate the agreed product conformities.

DE) Produkteigenschaften

kommerzielle Bezeichnung: **MAGIA 50**
Typologie: Spindeltreppe mit rundem Grundriss

verwendete Materialien

STRUKTUR

Beschreibung

bestehend aus Distanzhülsen (1) aus Metall (mit der Stufe verschweisst) und Distanzringen (2) aus Plastik um die Zentralsäule (3) im Baukastensystem herum gestapelt und komprimiert

Materialien

Distanzhülsen: Fe 370
Distanzringe: Nylon
Zentralsäule: Fe 370 verzinkt

Ausführung

Distanzhülsen: Zinkphosphat-Grundierung und Polyester-Pulverbeschichtung

STUFEN

Beschreibung

runde Stufen (4) aus Metall mit rutschfestem und abnutzungsschützendem Belag (5) um die Zentralsäule (3) herum gestapelt

Materialien

Stufen: Fe 370 blech mit einer Stärke 25/10
rutschfester Belag: Polypropylen

Ausführung

Stufen: Zinkphosphat-Grundierung und Polyester-Pulverbeschichtung

GELÄNDER

Beschreibung

bestehend aus auf den Stufen (4) befestigten senkrechten Stäben (6) aus Metall und aus einem PVC-Handlauf (7)

Materialien

Geländerstäbe: Fe 370
Handlauf: PVC mit Aluminiumkern
Befestigungsteile (8): Nylon

Ausführung

Geländerstäbe: Zinkphosphat-Grundierung und Polyester-Pulverbeschichtung

REINIGUNG

mit Süßwasser und milden Reinigungsmittel waschen. keinen Druckwasserstrahl verwenden.

WARTUNG

ungefähr 12 Monate nach dem Einbau, die Festigkeit der einzelnen Schrauben überprüfen. die außerordentliche Wartung muss nach allen Regeln der Kunst ausgeführt werden.

VORSICHTSMAßNAHMEN FÜR DIE ANWENDUNG

die falsche und unangemessene Verwendung des Produkts vermeiden. eventuelle Beschädigungen oder nicht der Montageanleitung des Herstellers gemässe Einrichtungen können die vorgegebene Produktkonformität für ungültig erklären.

FR) données d'identification du produit

denomination commerciale: **MAGIA 50**
typologie: escalier en colimaçon à plan rond

matériaux utilisés

STRUCTURE

description

composée de entretoises (1) en métal (soudées a la marche) et cales (2) en plastique empliées et comprimées sur le pylône (3) modulaire central

matériaux

entretoises: Fe 370
cales: nylon
pylône: Fe 370 galvanisé

finition

cales: couche de fond au phosphate de zinc et peinture en poudre polyester

MARCHES

description

marches (4) en métal circulaires ou en éventail empilées sur le pylône (3) central équipées d'un panneau (5) antidérapant et antiusure

matériaux

marches: tôle Fe 370, epaisseur 25/10
panneau antidérapant: polypropylène

finition

marches: couche de fond au phosphate de zinc et peinture en poudre polyester

GARDE-CORPS

description

composé de colonnettes (6) verticales en métal fixées aux marches (4) et d'une main courante (7) en PVC

matériaux

colonnettes: Fe 370
main courante: PVC avec noyau en aluminium
fixations (8): nylon

finition

colonnettes: couche de fond au phosphate de zinc et peinture en poudre polyester

NETTOYAGE

laver à l'eau douce et avec des détergents non agressifs, sans utiliser de jets d'eau sous pression.

ENTRETIEN

après environ 12 mois de la date d'installation, contrôler le serrage de la visserie et des différents éléments. l'entretien extraordinaire doit être exécuté dans les règles de l'art.

PRECAUTION D'UTILISATION

éviter l'utilisation impropre et non conforme au produit. d'éventuelles alterations ou installations non correspondantes aux instructions du producteur peuvent invalider les conformités préétablies du produit.



ES)

datos de identificación del producto

denominación comercial: **MAGIA 50**

tipo: escalera de caracol de planta redonda

materiales empleados

ESTRUCTURA

descripción

compuesta por distanciadores **(1)** de metal (soldados al escalón) y espaciadores **(2)** de plástico enfilados y comprimidos en la columna **(3)** central modular.

materiales

distanciadores: Fe 370

espaciadores: nylon

columna central: Fe 370 galvanizado

acabado

distanciadores: capa de imprimación de fosfato de cinc y barnizado con polvo de poliéster

PELDAÑOS

descripción

peldaños **(4)** de metal circulares enfilados en la columna **(3)** central y dotados de un panel **(5)** antideslizante y antidesgaste

materiales

peldaños: chapa Fe 370, grosor 25/10

panel antideslizante: polipropileno

acabado

peldaños: capa de imprimación de fosfato de cinc y barnizado con polvo de poliéster

BARANDILLA

descripción

compuesta por barrotes **(6)** verticales de metal fijados a los peldaños **(4)** y por un pasamanos **(7)** de PVC

materiales

barrotes: Fe 370

pasamanos: PVC con alma de aluminio

fijaciones **(8)**: nylon

acabado

barrotes: capa de imprimación de fosfato de cinc y barnizado con polvo de poliéster

LIMPIEZA

lavar con agua dulce y detergentes no agresivos, sin utilizar chorros de agua con presión.

MANTENIMIENTO

transcurridos unos 12 meses desde la fecha de instalación, comprobar que los tornillos que fijan las distintas partes sigan bien apretados. el mantenimiento extraordinario debe ser efectuado como corresponde.

PRECAUCIONES DE USO

evitar usos impropios y no conformes con el producto. eventuales manipulaciones o instalaciones que no cumplan con las instrucciones del fabricante pueden menoscabar las cualidades certificadas en las pruebas de conformidad a las que previamente fue sometido el producto.



50
D.U.M.
02/2014



Albini & Fontanot S.p.A.
Sede legale ed amministrativa
via P. Paolo Pasolini, 6
47853 Cerasolo Ausa
Rimini, Italy

tel. +39.0541.90.61.11
fax. +39.0541.90.61.24
info@fontanot.it
www.fontanot.it

cod. 065942000

Design: Centro Ricerche Fontanot

ADMEMBER

Sistema aziendale Albini & Fontanot S.p.A.
certificato CSQ ISO-9001

