



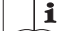
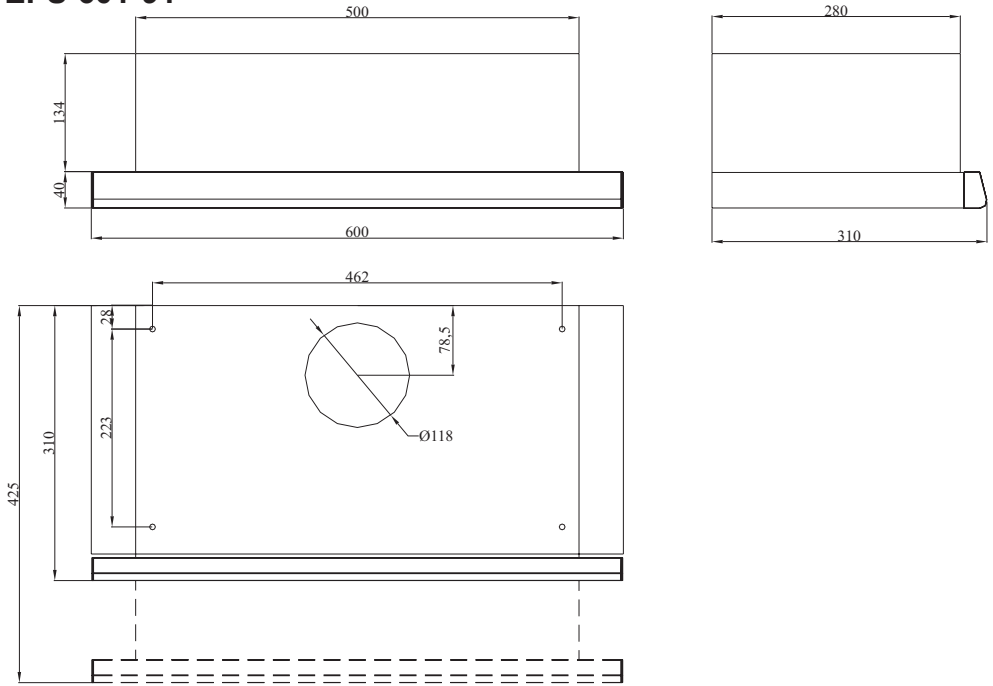




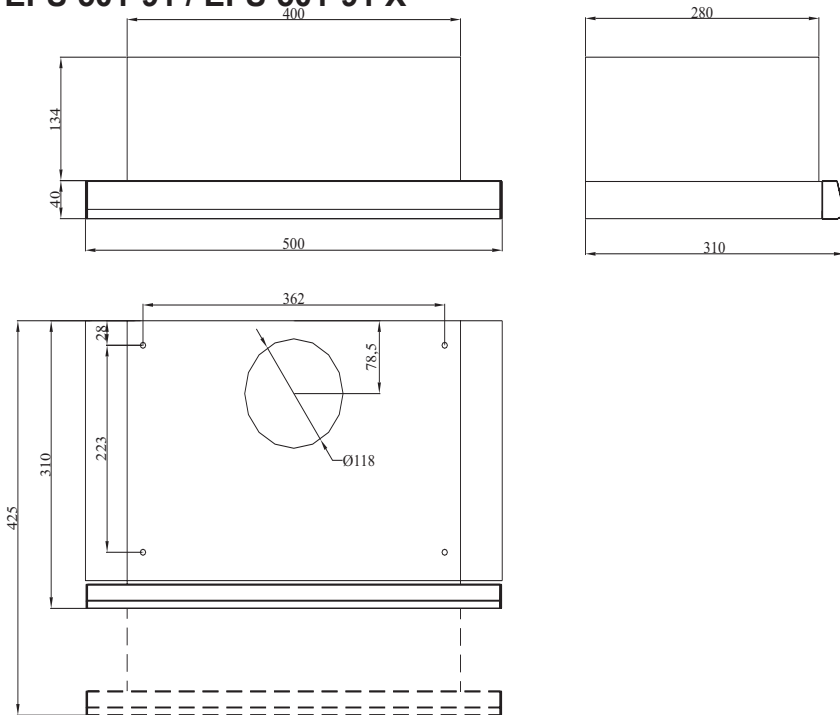
EFU 501-91
EFU 501-91 X
EFU 601-91
EFU 602-92
EFU 602-92 X
EFU 642-92 X

INSTRUCTION MANUAL - KITCHEN EXTRACTOR HOOD	EN	8
 i <i>Before using the appliance, please carefully read this manual!</i>		
BETJENINGSVEJLEDNING - EMFANG	DA	14
 i <i>Læs denne vejledning omhyggeligt, før apparatet tages i brug!</i>		
KÄYTTÖOHJE - LIESITUULETIN	FI	20
 i <i>Lue tämä opas huolellisesti ennen laitteen käyttöä!</i>		
BRUKSANVISNING - FLÄKT	SV	26
 i <i>Läs bruksanvisningen noga innan du börjar använda fläkten!</i>		
BRUKSANVISNING - KJØKKENHETTE	NO	32
 i <i>Les nøye igjennom denne bruksanvisningen før du bruker produktet!</i>		

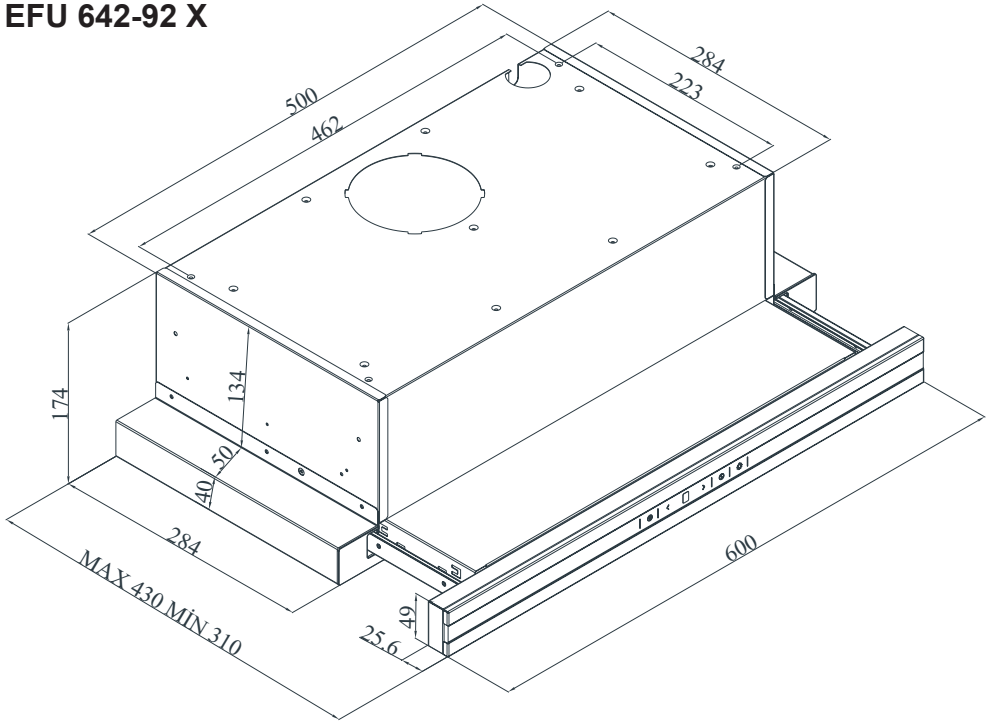
EFU 601-91



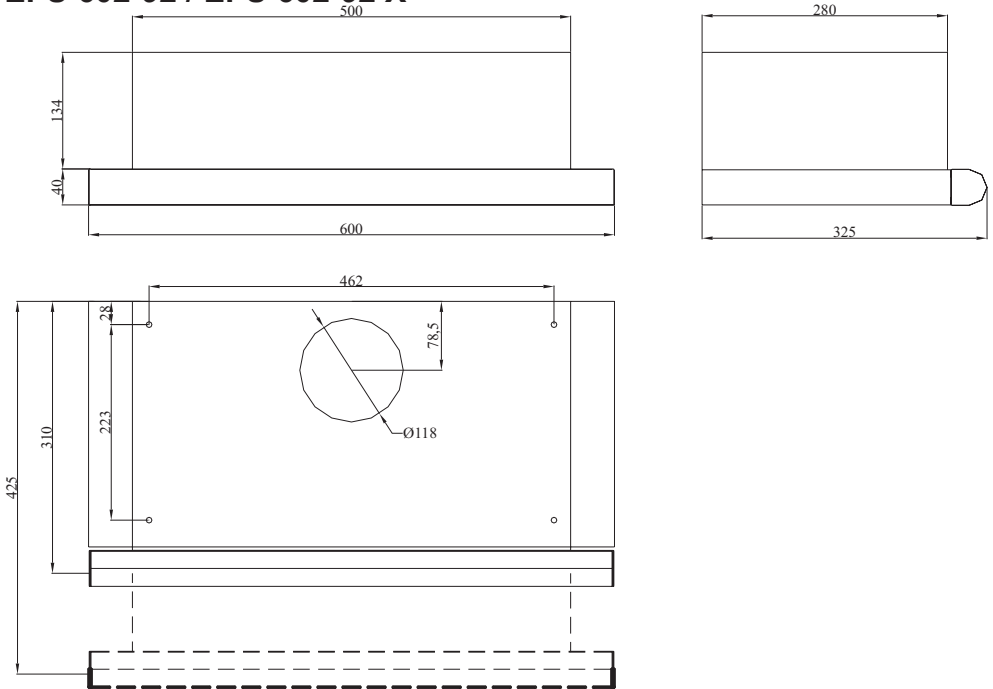
EFU 501-91 / EFU 501-91 X

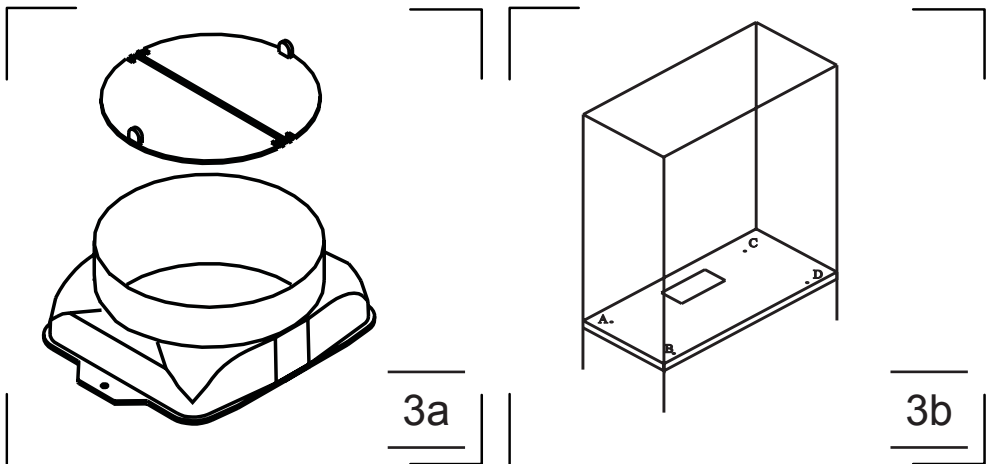
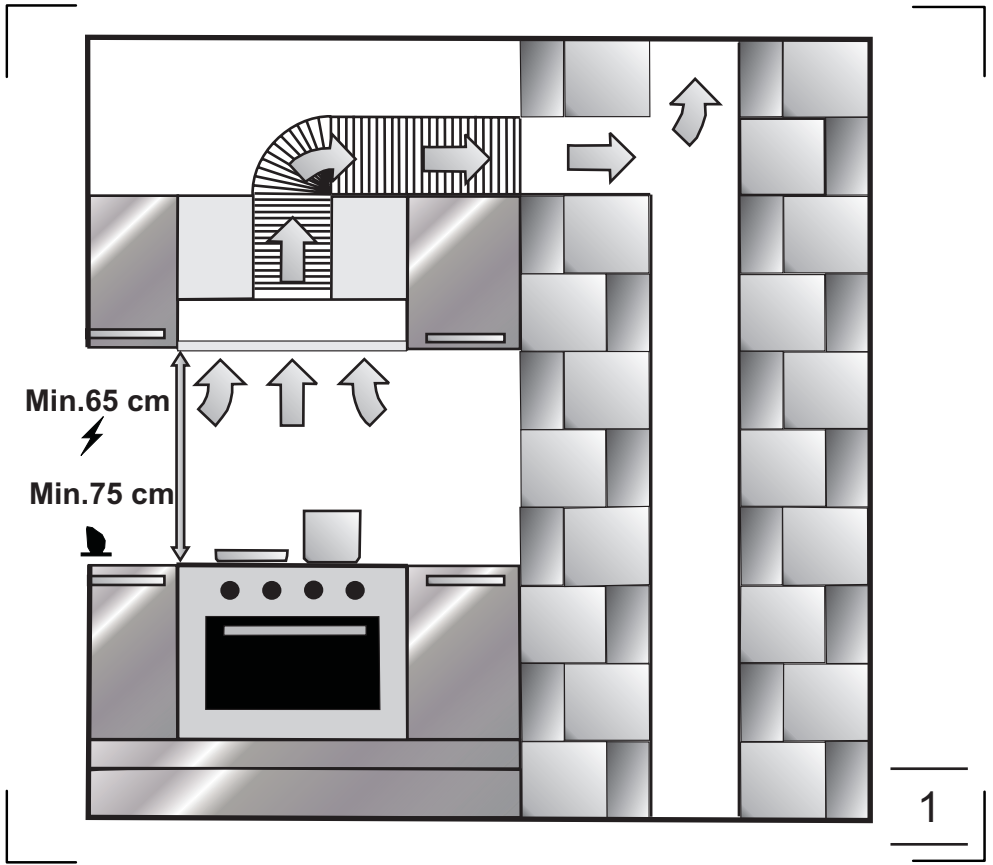


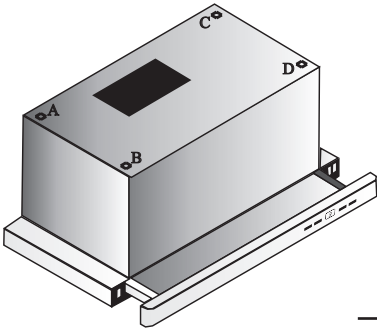
EFU 642-92 X



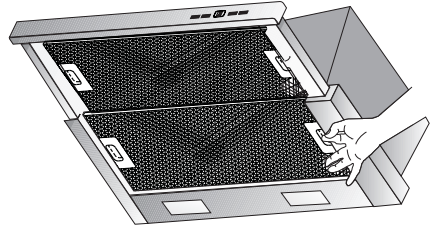
EFU 602-92 / EFU 602-92 X



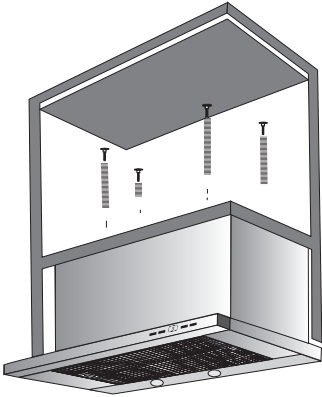




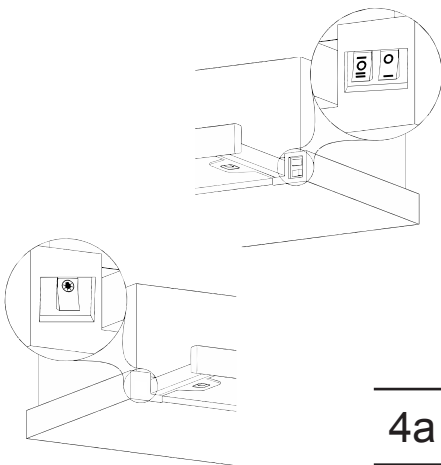
3c



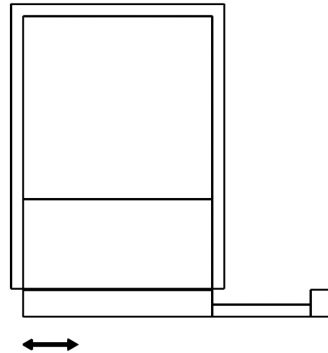
3d



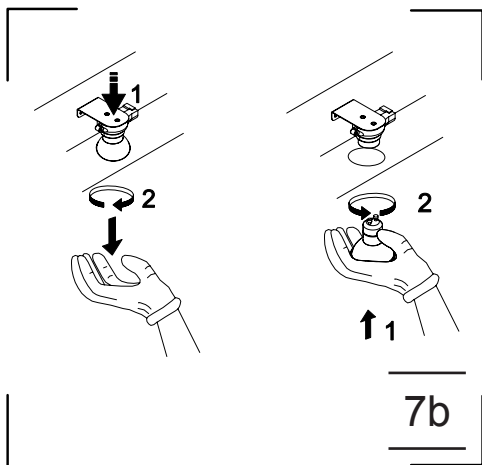
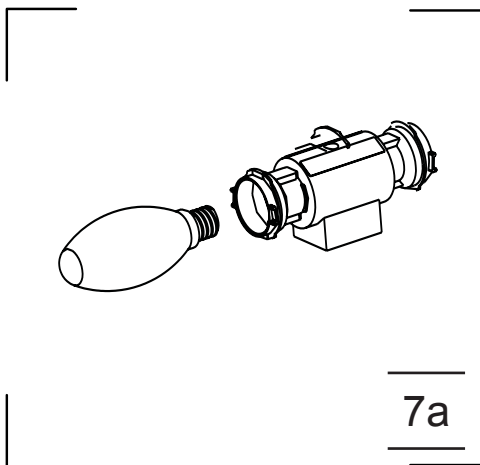
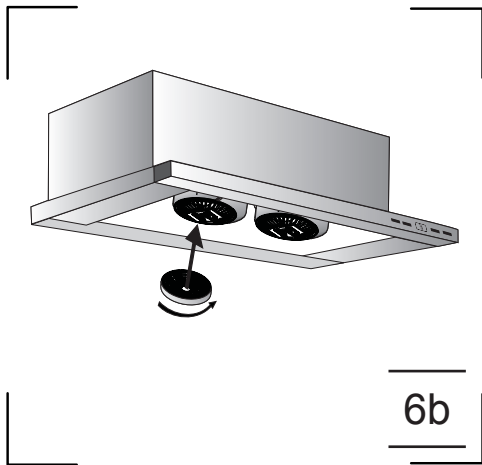
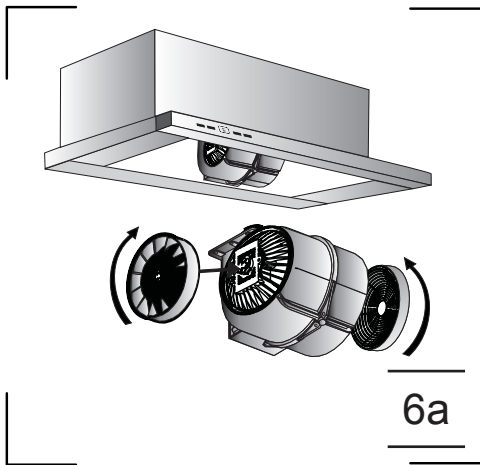
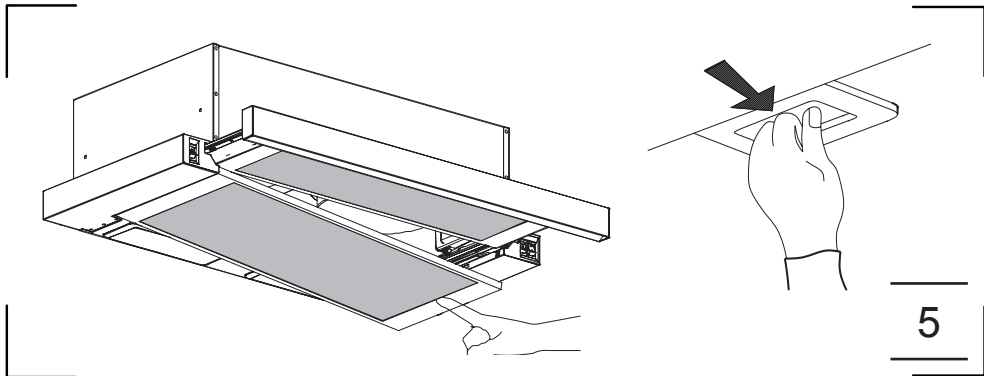
3e



4a



4d



THANK YOU FOR PURCHASING AN GRAM APPLIANCE

EN

DEAR CUSTOMER!

You are now a user of a kitchen extractor hood. This hood has been designed and manufactured specially with a view to satisfying your expectations and it will certainly constitute a fitting element of a modern kitchen. The modern structural solutions and the newest technologies used in production of this hood guarantee its high effectiveness and good appearance.

Please read these instructions carefully before installing the hood. They will help you avoid mistakes during installation and operation of the hood.

We wish you a lot of satisfaction from choosing our kitchen extractor hood.

Symbols appearing in these instructions have the following meaning:



Important information concerning proper operation of the appliance and your personal safety.



Tips on how to use the appliance.



Risks resulting from improper operation of the appliance. Activities that must be performed by a qualified technician.



Information on how to protect the environment.



This indicates actions that must not be performed by the user.

TABLE OF CONTENTS

GUIDELINES CONCERNING THE SAFETY OF USE	9
INSTALLATION	11
OPERATION AND MAINTENANCE	11
ENVIRONMENTAL PROTECTION	13



The appliance is intended for household use only.

The manufacturer reserves the right to introduce changes which do not affect the operation of the appliance.



● The manufacturer will accept no responsibility for any damage due to installation or operation not conforming to these instructions

● Cooker hood is designed to remove cooking odours. Do not use cooker hood for other purposes.



● Connect the cooker hood operating in extraction mode to a suitable ventilation duct (do NOT connect the cooker to smoke or flue gas ducts, which are in use). It requires installation of the air extraction duct to the outside. The duct length (typically 120 or 150mm in diameter) should not exceed 4-5 m. The air exhaust duct is also required for telescopic and under furniture cooker hoods operating in air recirculation mode.

● Cooker hood operating in air recirculation mode requires the installation of an activated charcoal filter. In this case, installing an extractor duct is not required, however it is recommended to install an air guide vane. (chimney cooker hoods only).



● The cooker hood features independent lighting and exhaust fan that can be operated at one of several speeds.



● Depending on the type, the hood is designed to be permanently attached to a vertical wall over a gas or electric stove (chimney and universal hoods); on the ceiling over a gas or electric stove (island hoods); on the vertical built in furniture over a gas or electric stove (telescopic and built-in hoods). Before installing, make sure that the wall/ceiling structure is strong enough to suspend the hood. Some hoods are very heavy.



● For details of the installation distance above an electric hob please refer to product technical sheet. If the installation instructions of the gas cooker specify a greater distance, this must be taken into account (Fig. 1).



● Do not leave an open flame under the hood. When the pots are removed from the burner, set the minimum flame. Always make sure that the flame does not ex-

tend outside the pot, because it causes unwanted loss of energy and a dangerous concentration of heat.



- Any food cooked in fat shall be constantly monitored, since overheated fat can ignite very easily.

- Pull the plug of the power cord from a wall socket before any filter cleaning or repair operation.



- The textile grease filter should be replaced, and the aluminium filter should be cleaned at least every one month in connection with the existing fire danger (saturated fat is very flammable).

- If any other non-electric devices are used in the same room as the hood (e.g. liquid fuel ovens, flow-through or volumetric water heaters), it is necessary to provide appropriate ventilation (air supply). Safe operation is possible when during simultaneous operation of the hood and combustion devices dependent on air supply the negative pressure of not more than 0.004 milibar is



maintained at the location of these devices inside the room (this point does not apply when the hood is used as an odour absorber).

- Do not lean on hood

- The hood should be frequently cleaned inside and on the outside surfaces (at least once a month). See "Cleaning section" in this manual.

- If the power wire gets broken, it should be replaced with a new one in a specialist repair shop.

- Make sure the appliance can be easily disconnected from the mains, either by pulling the plug out of the mains socket, or by switching the two-pole switch off.

- This appliance is not intended for use by persons (including children) with reduced physical, sensory or mental capabilities, or lack of experience and knowledge, unless they have been given supervision or instruction concerning use of the appliance by a person responsible for their safety.

- Children should be su-

GUIDELINES CONCERNING THE SAFETY OF USE



pervised to ensure that they do not play with the appliance.

- Check if the voltage indicated on the rating plate corresponds to the local power supply parameters.
- Before installing unwind and straighten the power cord.
- Warning! The packaging materials (polyethylene bags, small pieces of foamed poly-

styrene etc.) should be kept away from children while unpacking.

- NOTE: Before connecting the hood to the mains power supply always check that the power cord is properly installed and is not trapped by the appliance. It is recommended to make sure the hood operates correctly before installation.

INSTALLATION

Installation

Step-by-step appliance installation is shown on page 6-7

Setting the air extractor mode of operation of the hood

In the extractor mode air is discharged to the outside by a special conduit. In that setting any carbon filters shall be removed. The hood should be connected to the opening discharging air to the outside by means of a rigid or flexible conduit of 120 mm diameter, which should be purchased in a shop selling installation materials.

A qualified installer should be commissioned to make the connection.

Setting the odour absorber mode of operation of the hood

In this option filtered air returns to the room through openings in the front of the hood. In this setting it is necessary to install the carbon filter. It is recommended to install the air guide (availability depending on model).

OPERATION AND MAINTENANCE

Use control panel to control your cooker hood (Fig. 4a)

Cooker hood is equipped with a three-speed fan and worktop light. You can control fan speed with buttons on the right side of the front panel.

Pull out the front control panel to start the fan (Fig 4d). When you pull out the front panel, the fan will start (regardless of the speed set).

For optimal performance in normal conditions, use a low speed. Higher speed should only be used in case of high concentration of kitchen odours. To make sure all odours are extracted, it is a good practice to turn on the hood just before cooking and turn it off about 15 minutes after you have finished.

You can control light with buttons on the left side of the front panel. Retract the front panel to turn off the light.

Maintenance

Regular maintenance and cleaning of the device will ensure faultless operation, and help extend the life of the unit. Attention should be paid to replacing grease and carbon filters according to instructions.

Aluminium grease filter

Cleaning

For normal hood operation, aluminium grease filter should be cleaned every month in the dishwasher or by hand using a mild detergent or liquid soap.

To replace:

Dismantling of aluminium grease filter is shown on Figure 5.

Acrylic filter is used in some models. This filter should be replaced at least once every two months or more frequently if the appliance is used intensively.

Charcoal filter (only the recirculation version)

Operation - Carbon filters can be used only when the hood is not connected to any ventilation duct. Filters with active carbon can absorb odours until they are saturated. They cannot be washed or re-generated and should be replaced at least every 2 months or more frequently in case of very intensive use.

Replace:

Dismantling of charcoal filter is shown on Figure 6.

Lighting

See Figure 7 for details how to replace lights. Use incandescent / halogen / LED modules of the same specification as those factory-installed in the appliance.

Cleaning

Normal hood cleaning:

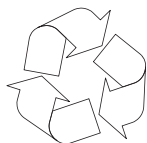
- Do not use a soaked cloth, sponge, or water jet.
- Do not use solvents or alcohol, as they may tarnish lacquered surfaces.
- Do not use caustic substances, especially for cleaning stainless steel.
- Do not use a rough or abrasive cloth.

It is recommend to use a damp cloth and a neutral detergent.

Aluminium filters may be washed in the dishwasher. The colour of aluminium filters may change after several washings. This is normal and it is not necessary to renew the filters.



RECYCLING OF THE PACKAGING



Our packaging is made of environmentally friendly materials, which can be reused:

- The external packaging is made of cardboard/ foil
- The FCKW free shape of foamed polystyrene (PS)
- Polyethylene (PE) foils and bags

ELIMINATION / DISPOSAL OF THE EQUIPMENT



If the appliance is no longer in use, cut the connecting cable off the used equipment before scrapping. We also recommend that the appliance is locked or rendered useless so that the appliance presents no danger to children while being stored for disposal. This appliance is marked with a symbol of the crossed out waste container in conformance with the European Directive 2002/96/EC. Such




marking informs that the equipment may not be kept together with other waste coming from the household after the period of its use. The user is obliged to dispose of the appliance at the waste collection point authorised by the local authority. The local waste collection points, shops and communal units form an appropriate system enabling the disposal of the equipment.

Handling the used electrical and electronic equipment and any hazardous substances contained therein in a correct manner is vital to avoid damage the local natural environment. Therefore care and responsibility should always be taken in the disposal of these products

Manufacturer's Declaration

The manufacturer hereby declares that this product meets the requirements of the following European directives:

- Low Voltage Directive **2006/95/EC**,
- Electromagnetic Compatibility (EMC) Directive **2004/108/EC**,
- *ErP Directive 2009/125/EC*

and has thus been marked with the  symbol and been issued with a declaration of compliance made available to market regulators.

Emfanget er specielt udviklet og udført for at opfylde dine forventninger. De anvendte konstruktionsløsninger samt brug af den nyeste produktionsteknologi sikrer emfangets høje funktionalitet og æstetik. Du bedes læse denne betjeningsvejledning grundigt igennem, inden du begynder at installere emfanget. Derved undgår du fejlinstallering og fejlbetjening af emfanget.

Vi håber, at du bliver tilfreds med dit nye GRAM produkt.

DA

Symboler, der optræder i denne brugsanvisning, har følgende betydning:



Vigtig information vedrørende korrekt brug af apparatet og din personlige sikkerhed.



Tip om at bruge apparatet.



Risici som resultat af ukorrekt brug af apparatet. Aktiviteter, der skal udføres af en autoriseret tekniker.



Information om miljøbeskyttelse.



Dette angiver handlinger, som ikke må udføres af brugeren.

INDHOLDSFORTEGNELSE

VEJLEDNING I SIKKER BRUG	15
INSTALLATION	17
BETJENING OG VEDLIGEHOLDELSE	17
MILJØBESKYTTELSE	19



Dette apparat er kun beregnet til husholdningsbrug.

Producenten forbeholder sig ret til at foretage ændringer, som ikke påvirker betjeningen af apparatet.



●Producenten er ikke ansvarlig for skade forårsaget af installation eller brug, som ikke overholder denne brugsanvisning

●Emfanget er designet til at fjerne lugt fra madlavning. Brug ikke emfanget til noget andet formål.



●Tilslut emfanget i udsugningstilstand til en passende ventilationskanal (tilslut IKKE emfanget til en røg- eller luftkanal, som er i brug). Emfanget kræver installation af luftudsugningskanalen ud til det fri. Længden af kanalen (typisk 120 eller 150 mm i diameter) bør ikke overskride 4-5 m. Luftudsugningskanalen er også påkrævet til teleskopiske og indbyggede emfang, der arbejder i recirkulationstilstand.

●Et emfang, der arbejder i recirkulationstilstand, kræver installation af et aktivt kulfilter. I dette tilfælde er installation af udsugningskanal ikke påkrævet, men det anbefales at installere en luftledeplade. (kun skorstens-emfang).

●Emfanget har selv-



stændigt lys og en udsugningsventilator, der kan betjenes på et af flere hastighedsniveauer.



●Afhængigt af type, er emfanget designet til at være permanent fastgjort på en lodret væg over et gas- eller el-komfur (skorstens- og universal-emfang); i loftet over et gas- eller el-komfur (ø-emfang); på et lodret indbygget møbel over et gas- eller el-komfur (teleskop- eller indbyggede emfang). Før installation skal det kontrolleres, at væg-/loftsstrukturen er stærk nok til at bære emfanget. Nogle emfang er meget tunge.



●Oplysninger om installationsafstanden over en elektrisk kogeplade kan ses i produktarket med tekniske oplysninger. Hvis gaskomfurets installationsinstruktion angiver en større afstand, skal denne tages i betragtning (fig. 1).



●Hav ikke åben ild under emfanget. Når gryderne fjernes fra brænderen, skal den sættes på minimal flamme. Kontroller altid, at flam-

men ikke kommer uden for gryden, da det kan give uønsket energitab og en farlig koncentration af varme.

- Når der steges mad i fedtstof, skal det ske under konstant overvågning, da overophedet fedtstof nemt antændes.
- Tag ledningen ud af stikket på væggen, før filteret renses eller før reparation
- Tekstil-fedtfilteret bør udskiftes, og aluminiumsfilteret bør renses mindst en gang om måneden på grund af den eksisterende brandfare (mættet fedt er meget letantændeligt).
- Hvis der bruges andre ikke-elektriske apparater i samme rum som emfanget (f.eks. ovne med flydende brændstof, gennemstrømsvandvarmere eller vandvarmere med tank) er det nødvendigt at skaffe den nødvendige luftventilation (luftforsyning). Sikker betjening er mulig under samtidig brug af emfanget og udstyr med forbrænding, hvis der, afhængigt af luftforsyningen, opretholdes et



negativt tryk på ikke mere end 0.004 millibar inde i rummet, hvor dette udstyr befinder sig (dette punkt gælder ikke, når emfanget bruges som lugtopfanger).

- Læn dig ikke mod emfanget.
- Emfanget bør regelmæssigt rengøres indvendigt og på de ydre overflader (mindst en gang om måneden). Se kapitlet "Rengøring" i denne brugsanvisning.
- Hvis strømkablet bliver beskadiget, skal det udskiftes med et nyt hos en specialreparatør.
- Vær sikker på, at strømmen til apparatet nemt kan afbrydes, enten ved at trække stikket ud af stikkontakten eller ved at slukke for topols-kontakten.
- Dette apparat er ikke beregnet til brug af personer (herunder børn) med nedsatte fysiske, sansemæssige eller mentale evner, eller som mangler erfaring og viden, med mindre de bliver overvåget eller instrueret i brug af apparatet af en person, der er ansvarlig for deres sikkerhed.
- Børn skal vejledes for



at sikre, at de ikke leger med apparatet.

- Tjek om den angivne strømstyrke på mærkepladen svarer til den lokale strømstyrke.
- Strømkablet skal udrulles og rettes ud inden installationen.
- Advarsel! Emballagen (polyetylenposer, små stykker polystyrenskum osv.) skal holdes væk fra børn under udpakningen.

- **BEMÆRK:** Før emfanget sluttes til strømforstyringen, skal det altid kontrolleres, at strømkablet er korrekt installeret og ikke sidder i klemme i apparatet. Det anbefales at kontrollere, at emfanget fungerer korrekt før installationen.

INSTALLATION

Installation

Trinvis installation af apparatet er vist på side 6-7

Indstilling af luftudsugningstilstand for emfanget

I luftudsugningstilstanden bliver ledt ud i det fri via en speciel kanal. Ved denne indstilling skal kulfilterne fjernes. Emfanget skal forbindes til den åbning, der leder luften ud i det fri, ved hjælp af en stiv eller fleksibel kanal, der er 120 mm i diameter, som købes i en forretning med installationsmaterialer.

En autoriseret installatør skal foretage tilslutningen.

Indstilling med aktivt kulfilter

Ved dette valg bliver filtreret luft ledt tilbage i rummet gennem hullerne i den øverste skorsten.

Hvis du installerer et aktivt kulfilter, kan emfanget benyttes til recirkulation. I det tilfælde er det ikke nødvendigt at installere et aftræksrør.

BETJENING OG VEDLIGEHOLDELSE

Brug betjeningspanelet til at betjene dit emfang (fig. 4)

Emfanget er udstyret med en ventilator med 3 hastigheder og køkkenbordslys. Du kan styre ventilatorhastigheden med knapperne på højre side af frontpanelet.

Træk betjeningspanelet på forsiden ud for at starte ventilatoren (Fig. 4d). Når du trækker frontpanelet ud, starter ventilatoren (uanset hvilken hastighed, der er valgt).

Under normale forhold giver en lav hastighed den bedste ydelse. Høj hastighed bør kun bruges i tilfælde af høj koncentration af køkkenos. For at sikre, at al os bliver suget ud, er det god praksis at tænde for emfanget lige før madlavningen og slukke for det ca. 15 minutter, efter at madlavningen er afsluttet.

Du kan styre lyset med knapperne på venstre side af frontpanelet. Skub frontpanelet ind for at slukke lyset.

Vedligeholdelse

Regelmæssig vedligeholdelse og rengøring af apparatet vil hjælpe med til at forlænge apparatets levetid. Vær opmærksom på at rengøre/udskifte fedt- og kulfiltre i henhold til brugsanvisningen.

Aluminiumsfedtfiler

Rengøring

Ved almindelig brug af emfanget bør aluminiumsfedtfileret rengøres hver måned i en opvaskemaskine eller i hånden ved brug af en mild sæbe eller flydende opvaskemiddel.

Udskiftning:

Udtagelse af aluminiumsfedtfileret vises på fig. 5.

I visse modeller bruges et akrylfilter. Dette filter bør udskiftes mindst en gang hver anden måned eller oftere, hvis apparatet bruges intensivt.

Kulfilter (kun ved benyttelse af recirkulation)

Betjening – Kulfiltre kan kun bruges, når emfanget ikke er forbundet til nogen anden ventilationskanal. Filtre med aktivt kul kan absorbere lugt, indtil de er mættede. De kan ikke vaskes eller fornyes og bør udskiftes mindst hver anden måned eller oftere i tilfælde af intensiv brug.

Udskiftning:

Udtagelse af kulfilteret vises på fig. 6.

Lys

Se fig. 7 for oplysninger om udskiftning af lys. Brug samme type lyskilde, isat i apparatet fra fabrikken.

Rengøring

Normal rengøring af emfanget:

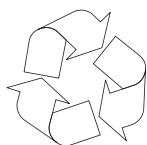
- Brug ikke en gennemblødt klud, svamp eller vandstråle.
- Brug ikke opløsningsmidler eller alkohol, da de kan misfarve lakerede overflader.
- Brug ikke kaustiske midler, især ved rengøring af rustfrit stål.
- Brug ikke en grov eller slibende klud.

Det anbefales at bruge en fugtig klud og et neutralt rengøringsmiddel.

Aluminiumsfiltrerne kan vaskes i opvaskemaskinen. Farven på aluminiumsfiltrerne kan ændre sig efter gentagen vask. Dette er normalt, og det er ikke nødvendigt at udskifte filtrerne.



GENBRUG AF EMBALLAGEN



Vores emballage er fremstillet af miljøvenlige materialer, som kan genbruges:

- Den ydre emballage er fremstillet af pap/folie
- Den CFC-frie form af polystyrenskum (PS)
- Folie og poser af polyethylen (PE)

BORTSKAFFELSE AF UDS TYR



Hvis apparatet ikke længere bruges, klippes strømkablet af det brugte udstyr før kassering. Vi anbefaler også, at apparatet låses eller gøres ubrugeligt, så det ikke udgør nogen fare for børn, mens det opbevares til kassering. Dette apparat er mærket med symbolet med en overkrydset affaldscontainer i overensstemmelse med det europæiske direktiv 2002/96/EC. Denne mærkning indikerer, at




udstyret ikke må opbevares sammen med andet husholdningsaffald, efter at det har været i brug. Brugeren er forpligtet til at indlevere apparatet på et indsamlingssted for affald, der angives af de lokale myndigheder. De lokale indsamlingssteder for affald, forretninger og fælles enheder udgør et passende system, som muliggør bortskaffelse af udstyret.

Korrekt håndtering af brugt elektrisk og elektronisk udstyr samt alle farlige stoffer, der indeholdes heri, er vital for at undgå at skade det lokale naturmiljø. Derfor skal bortskaffelse af disse produkter altid ske ansvarligt og med omhu.

Producentdeklaration

Producenten erklærer herved, at dette produkt lever op til kravene i følgende europæiske direktiver:

- Lavspændingsdirektivet **2006/95/EC**,
- Direktivet vedr. elektromagnetisk kompatibilitet (EMC) **2004/108/EC**,
- *ErP-direktivet* **2009/125/EC**

og er således mærket med symbolet  og er forsynet med en overholdelsesdeklaration, der stilles til rådighed for markedsregulatorer.

KIITOS, ETTÄ OSTIT GRAM-LAITTEEN

HYVÄ ASIAKAS!

Olet nyt keittiön liesituulettimen käyttäjä. Tämä liesituuletin on erityisesti suunniteltu ja valmistettu täyttämään odotuksesi, ja se muodostaa varmasti moderniin keittiöön sopivan elementin. Liesituulettimen modernit rakenneratkaisut ja tuotannossa käytetyt uusimmat tekniikat takaavat sen suuren tehokkuuden ja hyvän ulkoasun.

Lue nämä ohjeet huolellisesti ennen liesituulettimen asentamista. Ne auttavat sinua välttämään virheitä liesituulettimen asennuksen ja käytön aikana.

Toivomme, että olet erittäin tyytyväinen siihen, että valitsit ilmanpoistotuulettimemme keittiöösi.

Näissä ohjeissa esiintyvillä symboleilla on seuraava tarkoitus:



Tärkeitä tietoja laitteen oikeasta käytöstä ja henkilökohtaisesta turvallisuudestasi.



Laitteen käyttöä koskevia vihjeitä



Laitteen virheellisestä käytöstä aiheutuvat riskit. Pätevän teknikon on suoritettava toimet.



Tietoja siitä, miten voit suojella ympäristöä.



Tämä osoittaa toimenpiteet, joita käyttäjä ei saa tehdä.

SISÄLLYSLUETTELO

TURVALLISTA KÄYTTÖÄ KOSKEVIA OHJEITA	21
ASENNUS	23
KÄYTTÖ JA HUOLTO	23
YMPÄRISTÖNSUOJELU	25



Laitte on tarkoitettu vain talouskäyttöön.

Valmistaja varaa itselleen oikeuden tehdä muutoksia, jotka eivät vaikuta laitteen käyttöön.



- Valmistaja ei vastaa mitään vaurioista, jotka johtuvat näiden ohjeiden vastaisesta asennuksesta tai käytöstä.
- Liesituulettimen tarkoitus on poistaa ruoanlaitossa syntyviä käryjä. Älä käytä liesituuletinta muihin tarkoituksiin.
- Liitä ilmanpoistotilassa toimiva liesituuletin sopivaan ilmanvaihtoputkeen (ÄLÄ liitä liesituuletinta käytössä olevaan savu- tai savukaasuputkeen). Tämä edellyttää ulos menevän ilmanpoistoputken asennusta. Putken pituus (yleensä 120 tai 150 mm halkaisijaltaan) ei saa ylittää 4 - 5 metriä. Poistoputkea edellytetään myös teleskooppisille ja huonekalujen alle sijoitettaville liesituulettimille, jotka toimivat kiertoilmatilassa.
- Liesituuletin, joka toimii kiertoilmatilassa, edellyttää aktiivihiihtosuodattimen asennusta. Tässä tapauksessa ilmanpoistoputken asennusta ei tarvita, mutta on kuitenkin suositeltua asentaa ilman ohjain. (vain savutorvea käyttävät liesituulettimet).



- Liesituulettimessa on itsenäinen valaistus ja poistopuhallin, joka voi toimia eri nopeuksilla.
- Liesituuletin on tyyppin mukaan suunniteltu olemaan pysyvästi kiinnitettynä pystysuuntaiseen seinään kaasu- tai sähkölieden yläpuolella (savutorvea käyttävät ja yleiset liesituulettimet); kattoon kaasu- tai sähkölieden yläpuolella (saariliesituulettimet), pystysuuntaiseen kalusteeseen kaasu- tai sähkölieden päällä (teleskooppiset ja sisäänrakennetut liesituulettimet). Varmista ennen asennusta, että seinä-/kattorakenne on tarpeeksi vahva kannattamaan liesituuletinta. Jotkin liesituulettimet ovat hyvin painavia.
- Katso asennuksen etäisyys sähköliedestä teknisistä tiedoista. Jos kaasulieden asennusohjeet antavat suuremman etäisyyden, tämä on otettava huomioon (Kuva. 1).
- Älä jätä avotulta liesituulettimen alle. Kun kattila poistetaan polttimen päältä, aseta siihen pienin mahdollinen liekki. Varmista aina,

että liekki ei ulotu kat-tilan ulkopuolelle, sillä tämä aiheuttaa epätoivottua energiahukkaa ja vaarallista kuumuuden tiivistymistä.

- Rasvassa valmistettua ruokaa on valvottava jatkuvasti, sillä ylikuumentunut rasva voi syttyä helposti.
- Vedä pistoke pois pistorasiasta aina ennen suodattimen puhdistusta tai korjaustoimia.
- Tekstiiliä oleva rasvasuodatin on vaihdettava ja alumiinisuo-datin puhdistettava vähintään kerran kuukaudessa olemassa olevan palovaaran yhteydessä (tyydyttynyt rasva on erittäin syttyvää).
- Jos muita kuin sähköisiä laitteita käytetään samassa huoneessa kuin liesituuletinta (esim. nestemäistä polttoainetta käyttäviä uuneja taikka läpivirtauksella toimivia tai volumetrisia vedenlämmittimiä) on tarpeen järjestää riittävä tuuletus (ilmansaanti). Turvallinen käyttö on mahdollista, kun liesituuletti-men ja ilmansaannista riippuvaisten polttolaitteiden samanaikaisen

käytön aikana näiden laitteiden paikassa huoneessa pidetään yllä alipainetta, joka ei ole suurempi kuin 0,004 millibaria (tämä kohta ei päde, kun liesituuletinta käytetään käryn imemiseen).

- Älä nojaa tuulettimeen.
- Liesituuletti-men sisä- ja ulkopinnat on puhdistettava usein (vähintään kerran kuukaudessa). Ks. oppaan kohta "Puhdistus".
- Jos virtajohto katkeaa, se on korvattava uudella asiantuntijan korjausliikkeessä.
- Varmista, että laite voidaan helposti irrottaa verkkovirrasta joko vetämällä pistoke pois pistorasiasta tai kääntämällä kaksinapainen kytkin pois päältä.
- Tätä laitetta ei ole tarkoitettu sellaisten henkilöiden (mukaan lukien lapset) käyttöön, joiden fyysinen tai henkinen toimintakyky on alentunut tai joilta puuttuu kokemusta ja tietoa, ellei heidän turvallisuudestaan vastaava henkilö ole antanut heille opastusta ja neuvoja laitteen käytöstä.
- Lapsia on valvottava,



jotta varmistetaan, etteivät he leiki laitteella.

- Tarkista, vastaako arvokilvessä osoitettu jännite paikallisen verkkovirran ominaisuuksia.
- Oikaise verkkojohto ennen asennusta.
- Varoitus! Pakkausmateriaali (polyeteenipussit, pienet vaahdotettua polystyreenia olevat palat jne.) on pidettävä poissa lasten ulottuvilta

pakkausta purettaessa.

- **HUOMAUTUS:** Tarkista aina ennen liesituulettimen kytkemistä verkkovirtaan, että virtajohto on asennettu oikein ja ettei se ole laitteen puristuksissa. On suositeltavaa varmistaa ennen asennusta, että liesituuletin toimii oikein.

ASENNUS

Asennus

Vaiheittainen laitteen asennus näkyy Kuvasta 3...

Liesituulettimen ilmanpoistotilan asettaminen

Ilmanpoistotilassa erityinen putki poistaa ilman ulos. Tässä asetuksessa hiilisuolettimet on poistettava. Liesituuletin on liitettävä aukkoon, josta ilma poistuu ulos kovan tai joustavan putken avulla. Putken halkaisija on 120 mm, ja sen voi ostaa asennustarvikkeita myyvistä kaupasta.

Pätevä asentaja on pyydettävä tekemään liitäntä.

Liesituulettimen käryjen imemistilan asettaminen

Tässä vaihtoehdossa suodatettu ilma palaa huoneeseen.

Liesituulettimen edessä olevien aukkojen kautta.

Tässä asetuksessa on tarpeen asentaa hiilisuolettin. On suositeltavaa asentaa ilmanohjain (saatavuus riippuu mallista).

KÄYTTÖ JA HUOLTO

Ohjaa liesituuletinta ohjauspaneelin avulla (Kuva 4)

Liesituuletin on varustettu kolminopeuksisella tuulettimella ja työtason valolla. Voit hallita tuulettimen nopeutta etupaneelin oikealla puolella olevilla painikkeilla.

Käynnistä tuuletin vetämällä etupaneelia ulospäin (Kuva 4d). Kun vedät etupaneelia ulospäin, tuuletin käynnistyy (riippumatta asetetusta nopeudesta).

Käytä pientä nopeutta, niin saat optimaalisen tehon normaaleissa oloissa. Suurempaa nopeutta on käytettävä vain silloin, kun keittiössä on paljon käryä. Kaikkien käryjen poisto on hyvä varmistaa käynnistämällä liesituulettin juuri ennen ruoan valmistusta ja sulkemalla se noin 15 minuutin kuluttua lopettamisesta.

Voit hallita valoa etupaneelin vasemmalla puolella olevilla painikkeilla. Sammuta valo työntämällä etupaneeli takaisin.

Huolto

Laitteen säännöllinen huolto varmistaa virheettömän toiminnan ja auttaa pidentämään yksikön käyttöikä. Huomiota on erityisesti kiinnitettävä rasva- ja hiilisuodattimien ohjeiden mukaiseen vaihtoon.

Alumiininen rasvasuodatin

Puhdistus

Liesituuletinta normaalisti käytettäessä alumiininen rasvasuodatin on puhdistettava joka kuukausi astianpesukoneessa tai käsin käyttäen mietoa pesuainetta ja nestemäistä saippuaa.

Vaihto:

Alumiinisen rasvasuodattimen purkaminen näytetään Kuvassa 5.

Joissakin malleissa käytetään akryylisuodattimia. Suodatin on vaihdettava kahden kuukauden välein tai useammin, jos laitetta käytetään paljon.

Hiilisuodatin (vain kiertoilmaversiossa)

Toiminta - Hiilisuodattimia voidaan käyttää vain, kun liesituuletinta ei ole liitetty ilmanvaihtoputkeen. Aktiivihiiisuodattimet imevät käryä, kunnes ne tullevat kyllästetyiksi. Niitä ei voi pestä tai uudistaa, ja ne on vaihdettava vähintään kahden kuukauden välein tai useammin, jos käyttö on voimakasta.

Vaihto:

Hiilisuodattimen purkaminen näkyy Kuvassa 6.

Valaistus

Katso lamppujen vaihto-ohjeet Kuvasta 7. Käytä hehku-/halogeeni/LED-lamppuja, joilla on samat tekniset tiedot kuin niillä, jotka on tehtaassa asennettu laitteeseen.

Puhdistus

Liesituulettimen normaali puhdistus:

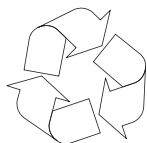
- Älä käytä märkää liinaa tai sientä tai vesisuihkua.
- Älä käytä liuottimia tai alkoholia, sillä ne voivat tummentaa lakattuja pintoja.
- Älä käytä syövyttäviä aineita, eikä etenkin ruostumattoman teräksen puhdistamiseen.
- Älä käytä karkeaa tai hankaavaa liinaa.

On suositeltavaa käyttää kosteaa liinaa ja neutraalia puhdistusainetta.

Alumiinisuodattimet voidaan pestä astianpesukoneessa. Alumiinisuodattimien väri voi muuttua muutaman pesukerran jälkeen. Tämä on normaalia, eikä suodattimien uudistaminen ole tarpeen.



PAKKAUKSEN KIERRÄTYS



Pakkauksemme tehdään ympäristöystävällisistä materiaaleista, jotka voidaan käyttää uudelleen:

- Ulkopakkaus on tehty pahvista/foliosta
- Kloorifluorivety-yhdisteistä vapaa vaahdotettu polystyreeni
- Polyeteenikalvot ja -pussit

EU:N SÄÄNTÖJEN MUKAINEN HÄVITTÄMINEN



Jos laitetta ei enää käytetä, leikkaa laitteen liitäntäkaapeli pois ennen laitteen hävittämistä. Suosittelemme myös, että laite lukitaan tai siitä tehdään hyödytön, jotta laite ei aiheuta mitään vaaraa lapsille, kun se on varastoitu hävitettäväksi. Tämä laite on merkitty ylivedetyllä jättesäiliöllä direktiivin 2002/96/EY mukaisesti. Tällainen merkintä kertoo, että laitetta ei pidä laittaa yhteen muun talousjätteen



kanssa laitteen käytön päätyttyä. Käyttäjä on velvollinen hävittämään laitteen viemällä sen paikallisten viranomaisten jätteenkeräyspisteeseen. Paikalliset jätteenkeräyspisteet, kaupat ja kunnalliset yksiköt ovat tämän laitteen hävittämiseen sopiva järjestelmä.

Sähkö- tai elektroniikkalaitteiden ja niissä mahdollisesti olevien vaarallisten aineiden oikea käsittely on elintärkeää, jotta vältetään vahingoittamasta paikallista luontoa. Siksi nämä tuotteet on aina hävitettävä huolellisesti ja vastuullisesti.

Valmistajan vakuutus

Valmistaja vakuuttaa, että tämä tuote vastaa seuraavien eurooppalaisten direktiivien vaatimuksia:

- Pienjännitedirektiivi **2006/95/EY**,
- Sähkömagneettista yhdenmukaisuutta koskeva direktiivi **2004/108/EY**
- *Ecodesign-direktiivi* **2009/125/EY**

sekä siinä on siten **CE**-merkintä ja siitä on tehty vaatimustenmukaisuusvakuutus markkinoita säänteleville viranomaisille.

GRATTIS TILL DIN NYA FLÄKT FRÅN GRAM.

Fläkten är speciellt utvecklad och tillverkad för att uppfylla dina förväntningar och kommer att passa bra i ett modernt kök. De moderna konstruktionslösningarna samt användning av den nyaste produktionsteknologin garanterar fläktens höga funktionsduglighet och estetik. Du ombeds läsa bruksanvisningen noggrant innan du installerar fläkten. På så sätt undviker du felinstallation och felanvändning.

Vi hoppas att du blir nöjd med din nya produkt från GRAM.

Symbolerna i bruksanvisningen har följande betydelser:



Viktig information om hur produkten används korrekt och om din säkerhet.



Användartips



Risker som uppstår om produkten används felaktigt. Åtgärder som måste utföras av behörig fackman.



Information om miljöskydd.



Symbolen står vid åtgärder som inte får utföras av användaren.

SV

INNEHÅLLSFÖRTECKNING

SÄKERHETSANVISNINGAR	27
INSTALLATION	29
ANVÄNDNING OCH SKÖTSEL	29
MILJÖSKYDD	31



Produkten är endast avsedd för hushållsbruk.

Tillverkaren förbehåller sig rätten till ändringar som inte inverkar på produktens funktioner.



● Tillverkaren övertar inget ansvar för skador som uppstår på grund av felaktig installation eller om köksfläkten inte används enligt anvisningarna i denna manual.

● Köksfläkten är avsedd för att avlägsna matos. Använd inte köksfläkten för andra ändamål.



● Anslut en köksfläkt med utsugsfunktion till en passande ventilationskanal (anslut INTE till rök- eller rökgaskanaler som används). Det krävs att en luftutsugskanal som leder utomhus installeras. Kanalen (i regel 120 eller 150 mm i diameter) bör inte vara längre än 4–5 m. En luftutsugskanal krävs även för köksfläktar i teleskoputförande eller fläktar som monteras under köksskåp om dessa är luftcirkulationsfläktar.

● Köksfläktar med luftcirkulationsfunktion måste ha ett installerat aktivkolfilter. I så fall behövs ingen utsugskanal, men vi rekommenderar att du installerar en luftledare (endast köksfläkt av skorstens-typ).



● Köksfläkten har egen belysning och en utsugsfläkt med flera hastigheter.



● Beroende på köksfläktens utförande, är kåporna konstruerade för fast montering på en lodrät vägg över en gas- eller elspis (skorstens- och universalfläktar), takmontering över en gas- eller elspis (fläktar för köksöar), på lodrät inbyggda kökskåp över en gas- eller elspis (teleskop- och inbyggnadsfläktar). Innan du installerar ska du försäkra dig om att väggen/taket är tillräckligt stabila för att bära upp köksfläktens vikt. Somliga köksfläktar är mycket tunga.



● Detaljerad information om installationsavståndet till en elspis finns i produktens tekniska datablad. Om du har en gasspis och dess användarinstruktioner anger ett större avstånd måste detta tas med i beräkningen (fig. 1).



● Lämna inte en öppen gaslåga under kåpan. När du tar av kastrullerna från lågan ska du ställa in lågan på det minsta läget. Försäk-

ra dig alltid om att lågan inte brinner utanför kastrullen, eftersom det innebär oönskad energiförlust och en farlig värmekoncentration.

- Håll uppsikt över all mat som tillagas med matfett eftersom överhettat fett är lättantändligt.
- Dra ut elkontakten ur vägguttaget före ett filterbyte eller en reparation.
- Fettfilter av textil ska bytas och aluminiumfiltret ska rengöras minst en gång i månaden på grund av brandrisken (fett som samlats i filter är lättantändligt).
- Om du använder annan icke-elektrisk utrustning (t.ex. spisar med flytande bränsle, genomströmnings-varmvattenberedare) måste du ordna med en lämplig ventilation (lufttillförsel). Säkerheten upprätthålls när du samtidigt använder köksfläkten och förbränningsutrustning, som kräver lufttillförsel, om ett konstant negativt tryck som inte överstiger 0,004 milibar upprätthålls där denna utrustning finns



i rummet (detta gäller inte när kåpan används enbart för att absorbera matos).

- Luta dig inte mot köksfläkten.
- Rengör köksfläkten ofta både på in- och utsidan (minst en gång i månaden). Se avsnittet "Rengöring" i manualen.
- Om elsladden går sönder ska den ersättas med en ny, som du köper i fackhandeln.
- Säkerställ att det går lätt att avskilja produkten från strömmen, antingen genom att dra ut kontakten ur strömtaget eller genom att stänga av den tvåpoliga brytaren.
- Produkten är inte avsedd att användas av personer (inklusive barn) med nedsatt fysisk, sensorisk eller mental förmåga, eller som saknar erfarenhet och kunskaper om dess användning, utom om de övervakas eller har instruerats av den som ansvarar för deras säkerhet.
- Håll uppsikt över barn så att de inte leker med produkten.
- Kontrollera att spän-

ningen som anges på märkskylten överensstämmer med spänningen där fläkten ska användas.



- Rulla upp och rätta ut elsladden före installationen.
- Varning! Håll barn på avstånd från förpackningsmaterialet (plastpåsar, små bitar polystyrenskum o.s.v.) när du packar upp produkten.

- OBS: Kontrollera att elsladden är korrekt insatt och inte har fastnat i produkten innan du ansluter produkten till eluttaget. Vi rekommenderar att du försäkrar dig om att köksfläkten fungerar korrekt innan du installerar den.

INSTALLATION

Installation

Steg-för-steg-installation av produkten visas i sida 6-7.

Anvisningar för köksfläktens utsugsfunktion

När fläkten används med utsugsfunktionen leds luften utomhus via en särskild kanal. I det läget ska alla slags kolfilter tas bort. Köksfläkten ska anslutas till utsugsöppningen med en fast eller flexibel kanal som är 120 mm i diameter. Du köper kanalen i fackhandeln.

Anlita en behörig montör för att utföra anslutningen.

Anvisningar för fläktens funktion ved drift med återcirkulation (kolfilter)

I det här läget leds den filtrerade luften tillbaka in rummet genom öppningarna på köksfläktens framsida.

Funktionen kräver att du sätter in kolfilter. Vi rekommenderar att du installerar en luftledare (tillgänglighet beroende på modell).

ANVÄNDNING OCH SKÖTSEL

Använd kontrollpanelen för att reglera köksfläkten (fig. 4)

Köksfläkten har tre hastigheter och belysning ovanför spisen.

Du kontrollerar fläkthastigheten med knapparna som sitter på frontpanelens högra sida.

Dra ut frontens kontrollpanel (fig. 4d). Fläkten startar när du drar ut panelen (oberoende av vilken hastighet som är inställd).

Kör fläkten på låg hastighet för bästa resultat under normala förutsättningar. Högre hastigheter bör bara användas om det finns höga koncentrationer matos. För att försäkra dig om att allt matos försvinner är det en god vana att starta fläkten precis innan du börjar laga maten och stänga av den cirka 15 minuter efter att maten är tillagad.

Belysningen styrs med knapparna på frontpanelens vänstra sida. Tryck in frontpanelen för att stänga av belysningen.

Skötsel

Om regelbundet sköter och rengör köksfläkten försäkras du dig om dess felfria funktion och långa livslängd. Var noga med att byta fett- och kolfilter enligt instruktionerna.

Aluminiumfettfilter

Rengöring:

Vid normal användning av köksfläkten ska du diska aluminiumfettfiltret i diskmaskinen, eller handdiska det med ett mildt diskmedel, en gång i månaden.

Byte:

Figur 5 visar hur du tar av aluminiumfettfiltret.

I vissa modeller använd ett akrylfilter. Sådana filter ska bytas minst varannan månad, eller tätare om du använder köksfläkten mycket.

Kolfilter (endast cirkulationsutförande)

Användning – Kolfilter kan bara användas om köksfläkten inte är ansluten till en ventilationskanal. Filter med aktivkol kan absorbera matos tills de är mättade. De kan inte diskas eller fräschas upp, utan ska bytas varannan månad eller tätare om du använder köksfläkten mycket.

Byte:

Figur 6 visar hur du tar av kolfiltret.

Belysning

Figur 7 visar hur du byter lamporna. Använd glödlampor/halogenlampor/LED-lampor av samma typ som har installerats på fabriken.

Rengöring:

Vanlig rengöring av köksfläkten:

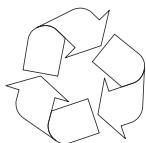
- Använd inte en genomdräckt duk, svamp eller vattenstråle.
- Använd inte lösningsmedel eller sprit, eftersom de kan skada lacken.
- Använd inte frätande medel, i synnerhet inte på rostfritt stål.
- Använd inte en grov eller repande duk.

Vi rekommenderar att du använder en fuktig duk och neutralt diskmedel.

Aluminiumfilter kan maskindiskas. Aluminiumfiltret kan ändra färg efter några diskas. Detta är normalt och innebär inte att du behöver byta filtret.



ÅTERVINNA FÖRPACKNINGEN



Våra förpackningar är gjorda av miljövänliga material som kan återvinnas.

- Ytterförpackningen är gjord av kartong/folie.
- Klorfluorkarbon-fritt polystyrenskum (PS).
- Folie och påsar av polyetylen (PE).

AVFALLSHANTERING/SKROTNING AV PRODUKTEN



När produkten är uttjänt ska du först skära av anslutnings-sladden innan du skrotar den. Vi rekommenderar också att du låser produkten eller gör att de inte fungerar, så att produkten inte utgör fara för barn medan den förvaras inför skrotningen. Produkten är märkt med en överkorsad sop-tunna i enlighet med det europeiska direktivet 2002/96/EG. Märkning-



en anger att produkten inte får kastas i hushålls-soporna när den inte längre används. Produkten måste lämnas in på en sopstation som är godkänd av lokala myndigheter. Den lokala sopstationen, affärer och kommunala organ utgör ett system som gör det möjligt att avfallshandera produkten på ett lämpligt sätt.

Det är mycket viktigt att elektrisk och elektronisk utrustning, samt eventuellt farliga ämnen i den, hanteras korrekt för att undvika att miljön skadas. Därför bör du alltid vara noggrann och ansvarstagande när du avfallshandlar dessa produkter.

SV

Försäkran om överensstämmelse

Tillverkaren förklarar härmed att denna produkt uppfyller kraven i följande europeiska direktiv:

- Lågspänningsdirektivet **2006/95/EG**,
- EMC-direktivet **2004/108/EG**,
- ErP-direktivet **2009/125/EG**

och har därmed märkts med **CE** symbolen samt erhållit en försäkran om överensstämmelse som finns tillgänglig för marknadsreglerande organ.

GRATULERER MED DIN NYE VENTILATOR FRA GRAM.

Ventilatoren er spesielt utviklet og fremstilt for å oppfylle dine forventinger, samt passe godt inn i et moderne kjøkken. Moderne konstruksjonsløsninger og bruk av siste nytt innen produksjonsteknologi garanterer ventilatorens høye funksjonalitet og estetikk. Vennligst les denne bruksanvisningen nøye for du starter installasjonen. Dermed unngår du feilinstallering og feilbetjening av ventilatoren.

Vi håper du blir fornøyd med ditt nye GRAM-produkt.

Symbolene i denne bruksanvisningen betyr følgende:



Viktig informasjon som gjelder riktig bruk av produktet og din egen sikkerhet.



Råd om hvordan du bruker produktet.



Farer som kan oppstå på grunn av feil bruk av produktet. Oppgaver som må utføres av en kvalifisert tekniker.



Informasjon om miljøvern.



Dette indikerer handlinger som ikke må utføres av brukeren.

ON

INNHOLDSFORTEGNELSE

RETNINGSLINJER OM TRYGG BRUK	33
MONTERING	35
BRUK OG VEDLIKEHOLD	35
MILJØVERN	37



Produktet er kun beregnet for bruk i hjemmet.

Produsenten forbeholder seg retten til å innføre endringer som ikke påvirker bruken av apparatet.



● Produsenten påtar seg ingen form for ansvar for skader forårsaket av installasjon eller bruk som ikke er i samsvar med instruksjonene i denne bruksanvisningen.

● Kjøkkenviftens funksjon er å fjerne matlukt. Ikke bruk kjøkkenviften til andre formål enn dette.



● Kjøkkenvifter som skal brukes i avtrekksmodus må kobles til en egnet ventilasjonskanal (kjøkkenviften må IKKE kobles til røyk- eller røykgasskanaler som er i bruk). Det er nødvendig med en utvendig avtrekkskanal. Lengden på kanal (med en standarddiameter på 120 eller 150 mm) må ikke være lenger enn 4,5 m. Avtrekkskanalen er også nødvendig for teleskopiske- og innebygde kjøkkenvifter som skal brukes i luftresirkulasjonsmodus.

● For kjøkkenvifter som skal brukes i luftresirkuleringsmodus må det installeres et aktivert kullfilter. I slike tilfeller er det ikke nødvendig å installere en avtrekkskanal, men vi anbefa-



ler at det installeres en luftledeskovl. (kun for pipekjøkkenvifter).

● Kjøkkenviften er utstyrt med en belynings- og avtrekksvifte som kan brukes hver for seg. I tillegg kan viften brukes med forskjellige hastigheter.



● Avhengig av produkttypen, er kjøkkenviften konstruert til å festes permanent til en vertikal vegg over en gass- eller elektrisk komfyr (pipe- og universalkjøkkenvifter), i taket over en gass- eller elektrisk komfyr (vifter over kjøkkenøy), på vertikalt innebygde kjøkken-skap over en gass- eller elektrisk komfyr (teleskopiske og innebygde kjøkkenvifter). Før produktet installeres må du kontrollere at vegg-/takstrukturen er sterk nok til å bære kjøkkenviftens vekt. Enkelte kjøkkenvifter er svært tunge.



● For informasjon om hvilken avstand det må være mellom kjøkkenviften og en elektrisk kokeplate, vennligst se det tekniske informasjonsarket. Hvis det er spesifisert en større avstand i installa-

sjonsinstruksjonene for en gasskokeplate, må det tas hensyn til dette (Fig. 1).



- La det aldri være åpen ild under kjøkkenviften. Når kjeler og panner fjernes fra gassflamme- ne, må flammene reduseres til den minimale innstillingen. Pass alltid på at flammen ikke brenner på utsiden av kjeler og panner, da dette vil føre til tapt energiforbruk samt en farlig varmekonsentrasjon.



- All mat som stekes i olje må være under konstant oppsyn, da overopphetet olje er svært lettantennelig.



- Trekk støpslet ut av veggkontakten før du foretar noen form for rengjøring eller vedlikeholds/reparasjonsarbeid.

- Tekstilfettfilteret skal skiftes ut, og aluminiumsfilteret skal rengjøres minst én gang i måneden for å forhindre brannfare (fett er svært lettantennelig).

- Hvis annet ikke-elektrisk utstyr brukes i samme rom som kjøkkenviften (f. eks. ovner med flytende væske, gjennomstrømbare el-

ler volumetriske varmtvannsberedere), vil det være nødvendig med tilstrekkelig ventilasjon (lufttilførsel). Kjøkkenviften og forbrenningsutstyret kan trygt brukes samtidig, så lenge lufttilførselen og det negative trykket ikke overstiger 0,004 millibar der hvor disse enheten er plassert i rommet (dette gjelder ikke hvis kjøkkenviften brukes til å absorbere lukt).



- Ikke len deg på kjøkkenviften



- Kjøkkenviften skal rengjøres innvendig og utvendig regelmessig (minst én gang i måneden). Se avsnittet "Rengjøring" i denne bruksanvisningen.



- Hvis strømkabelen skades må den skiftes ut med en ny på et spesialverksted.



- Sørg for at kjøkkenviften lett kan kobles fra strømuttaket, enten ved å trekk ut ledningen fra veggkontakten, eller ved å slå av den topolette bryteren.



- Dette produktet er ikke beregnet for personer (inkludert barn) med reduserte fysiske, sensoriske eller mentale evner, eller mangel på



- erfaring og kunnskap, med mindre de har fått veiledning eller opplæring i bruk av apparatet av en person som er ansvarlig for deres sikkerhet.
- Barn må være under oppsyn for å forsikre om at de ikke leker med produktet.
 - Kontroller at strømspenningen som er oppgitt på merkeskiltet korresponderer med

den lokale strømspenningen.

- Vikle ut og strekk strømkabelen før produktet installeres.
- Advarsel! Emballasjen (plastposer, små biter med polystyren, o.l.) må holdes utilgjengelige for barn når produktet pakkes ut.
- MERK: Før kjøkkenviften kobles til strømuttaket, kontroller at strømkabelen er riktig festet og at den ikke er klemt av produktet. Vi anbefaler at du kontrollerer at kjøkkenviften fungerer som den skal før den installeres.

MONTERING

Montering

Trinnvis fremgangsmåte for hvordan kjøkkenviften monteres er vist i side 6-7

Stille inn avtrekksmodus for kjøkkenviften

I avtrekksmodus sendes luft ut av bygningen gjennom et spesielt rør. Ved bruk av denne innstillingen skal alle karbonfiltre fjernes. Kjøkkenviften skal kobles til åpningen hvor luften sendes ut av bygningen, ved bruk av et fast eller bevegelig rør med en diameter på 120 mm. Røret må kjøpes hos en forhandler av installasjonsmaterialer.

Du må bruke en kvalifisert montør til å utføre dette arbeidet.

Stille inn for drift med resirkulasjon (kullfilter)

I denne modusen vil filtrert luft sendes tilbake i rommet via åpningene foran på viften. Det må monteres et karbonfilter når denne modusen skal brukes. Vi anbefaler at du installerer en luftguide (avhengig av modell).

BRUK OG VEDLIKEHOLD

Bruk kontrollpanelet til å styre kjøkkenviften (Fig. 4)

Ventilatoren er utstyrt med en tretrinns vifte og lys til benkeplaten. Du kan kontrollere viftehastigheten med knappene på høyre side av frontpanelet.

Trekk ut frontpanelet for å starte viften (Fig. 4d). Når du trekker ut frontpanelet, vil viften starte (uansett hvilken hastighet som er valgt).

For optimal ytelse under normale forhold, velg lav hastighet. Høyere hastighet bør kun brukes ved høy konsentrasjon av kjøkkenlukt. For å sikre at all lukt trekkes ut er det smart å slå på viften rett før du begynner å lage mat og vente med slå den av til 15 minutter etter at du er ferdig.

Du kan kontrollere lyset med knappene på venstre side av frontpanelet. Skyv frontpanelet inn for å slå av lyset.

Vedlikehold

Regelmessig vedlikehold og rengjøring av kjøkkenviften vil sørge for feilfri bruk og forlenget levetid for produktet. Pass på å skifte ut fett- og karbonfiltrene i henhold til instruksjonene.

Fettfilter i aluminium

Rengjøring

Under normal bruk skal aluminiumsfilteret rengjøres hver måned i oppvaskmaskin eller for hånd, ved bruk av et mildt rengjøringsmiddel eller flytende såpe.

Skite ut aluminiumsfilteret:

Ta ut fettfilteret i aluminium slik vist i Figur 5.

Det brukes akrylfilter i enkelte modeller. Filteret bør skiftes ut minst annenhver måned eller oftere dersom kjøkkenviften brukes intensivt.

Kullfilter (kun på resirkuleringsmodeller)

Bruk - Kullfiltre kan kun brukes når kjøkkenviften ikke er koblet til en ventilasjonskanal. Filtre med aktivt kull kan absorbere matlukt til de er mettede. De kan ikke vaskes eller brukes på nytt, og de bør skiftes ut minst annenhver måned eller oftere dersom viften brukes svært intensivt.

Skifte ut kullfilteret:

Ta ut kullfilteret slik vist i Figur 6.

Lampe

Se Figur 7 for informasjon om hvordan du skifter pære i lampen. Skift ut pærene med samme type og spesifikasjoner (glødepære/halogen/LED-moduler) som var installert i kjøkkenviften da du tok den.

Rengjøring

Normal rengjøring av kjøkkenviften:

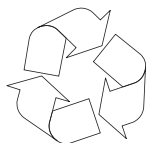
- Ikke bruk en våt klut, svamp eller kraftig vannstråle.
- Ikke bruk løsemidler eller alkoholbasert rengjøringsmiddel, da dette vil gjøre den lakerte overflaten matt.
- Ikke bruk etsende midler, spesielt ved rengjøring av rustfritt stål.
- Ikke bruk skurekluter som kan lage riper.

Vi anbefaler at du bruker en fuktig klut med et nøytralt rengjøringsmiddel.

Aluminiumfiltre kan vaskes i oppvaskmaskin. Fargen på aluminiumfiltre kan endre seg etter flere vask. Dette er normalt, og det er ikke nødvendig å skifte ut misfargede filtre.



RESIRKULERE EMBALLASJEN



Emballasjen vår er laget av miljøvennlige materialer som kan gjenvinnes:

- Ekstern emballasjen av papp/folie
- Polystyrendeler (PS) frie for klorfluorkarbon
- Polyetylen (PE)-folier og poser

DEPONERING AV PRODUKTET



Hvis produktet ikke lenger skal brukes, må du kutte kablen før det kastes.

Vi anbefaler også at apparatet lukkes eller gøres ubrukelig, slik at det ikke kan

være til skade for barn ved oppbevaring før det kastes. Dette produktet er merket med et utkrysset søppelbøttesymbol i samsvar med det europeiske direktivet 2002/96/EC. Dette symbolet betyr at produktet ikke skal kastes



sammen med vanlig husholdningsavfall når det ikke lenger er i bruk. Du må levere inn apparatet på din lokale avfallsplass som er autorisert av de lokale myndighetene. Lokale avfallsplasser, innleveringssteder, butikker og kommunale gjenvinningsstasjoner er egnede steder for innlevering og deponering av produktet.

Det er ytterst viktig av bruke elektriske og elektroniske apparater og annet farlige materiale det inneholder innleveres på riktig måte for å beskytte nærmiljøet. Du må derfor overholde disse forholdsreglene når du kaster slike produkter.

NO

Produsenterklæring

Produsenten erklærer herved at produktet oppfyller kravene i følgende europeiske direktiver:

- Lavspenningsdirektiv **2006/95/EØF**,
- Direktiv for elektromagnetisk kompatibilitet (EMC) **2004/108/EC**,
- *ErP Directive* **2009/125/EC**

og er derfor merket med **CE** symbolet og har fått utstedt en samsvarserklæring som er gjort tilgjengelig for markedsregulatorene.



NO:
Gram A/S
Tel.: 22 07 26 30
www.gram.no

SE:
Gram A/S
Tel.: 040 38 08 40
www.gram.se

FI:
Gram A/S
Tel.: 020 7756 350
www.gram.fi



Gram A/S
Gejlhavegård 2B
DK-6000 Kolding
+45 73 20 10 00
www.gram.dk