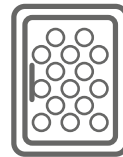




USER MANUAL
BETJENINGSVEJLEDNING
BRUKSANVISNING
BRUKSANVISNING
KÄYTTÖOHJE

EN
DA
SV
NO
FI

Vine cooler / Vinkøleskab / Vinkyl / Vinskap /
Viinikaappi



VS 54586-90 B / VS 50781-90 B /
VS 52083-90 B



IO-RFW-0048/5
(07.2020)

EN- Table of contents

GUIDELINES CONCERNING THE SAFETY OF USE	9
INSTALLATION AND OPERATING CONDITIONS OF THE APPLIANCE	11
CLIMATE RANGE	12
PRACTICAL EVERYDAY TIPS	13
UNPACKING	14
DISPOSAL OF OLD APPLIANCE	15
CONTROLS	16
APPLIANCE CONTROLS- SINGLE AND DUAL ZONE	16
TO SWITCH THE POWER ON/OFF	16
TO CHANGE THE TEMPERATURE	16
OPTIMAL TEMPERATURE SELECTION	17
TO USE THE INTERNAL LIGHT	17
INTERNAL HUMIDITY	17
TEMPERATURE DISPLAY	17
SILENT MODE	17
DYNAMIC COOLING MODE	17
WEEKEND MODE	18
TEMPERATURE ALARM	18
CARE AND CLEANING	19
REMOVING THE SHELVES	19
CLEANING	19
TROUBLESHOOTING	19
IF THE APPLIANCE IS NOT WORKING, CHECK	19
THE APPLIANCE IS WORKING, BUT NOT VERY WELL, CHECK	20
THE APPLIANCE IS NOISY, CHECK	20
THE LIGHT DOES NOT WORK, CHECK	20
THE DOOR WILL NOT CLOSE PROPERLY, CHECK	20
THE DISPLAY SHOWS "E1" OR "E2"	20
EPREL	20
WARRANTY AND AFTER SALES SERVICE	21
WARRANTY	21

DA- INDHOLDSFORTEGNELSE

VEJLEDNING I SIKKER BRUG	23
INSTALLATION OG BETJENINGSFORHOLD FOR APPARATET	25
KLIMAINTERVAL	26
PRAKTISKE HVERDAGSTIPS	27
UDPAKNING	28
BORTSKAFFELSE AF DET GAMLE PRODUKT	28
BETJENING	29
APPARATETS BETJENINGSKNAPPER - ENKELT- OG DOBBELTZONE	29
TÆND/SLUK FOR STRØMMEN.	29
ÆNDRING AF TEMPERATUREN	29
VALGFRIIT TEMPERATURVALG	29
BRUG AF LYSET I SKABET	30
FUGTIGHED I SKABET	30
TEMPERATURDISPLAY	30
LYDLØS TILSTAND	30
DYNAMISK KØLETILSTAND	30
WEEKEND-TILSTAND	30
TEMPERATURALARM	30
PLEJE OG RENGØRING	31
FJERNELSE AF HYLDERNE	31
RENGØRING	31
FEJLFINDING	31
HVIS APPARATET IKKE VIRKER	31
HVIS APPARATET FUNGERER, MEN IKKE SÆRLIG GODT	32
HVIS APPARATET LARMER	32
HVIS LYSET IKKE VIRKER	32
HVIS DØREN IKKE LUKKER RIGTIGT	32
DISPLAYET VISER "E1" ELLER "E2"	32
EPREL	32
GARANTI OG SERVICE	33
GARANTI	33

SV- INNEHÅLLSFÖRTECKNING

SÄKERHETSANVISNINGAR	35
INSTALLATION OCH FÖRUTSÄTTNINGAR FÖR ANVÄNDNING	37
TILLÅTET TEMPERATUROMRÅDE	38
PRAKTISKA TIPS I VARDAGEN	38
UPPACKNING	40
SKROTA PRODUKTEN	40
REGLAGE	41
PRODUKTENS REGLAGE – EN OCH TVÅ ZONER	41
SÄTTA PÅ/STÄNGA AV STRÖMMEN	41
ÄNDRA TEMPERATUR	41
OPTIMAL TEMPERATURINSTÄLLNING	41
ANVÄNDA BELYSNINGEN	41
FUKTHALT I VINKYLEN	42
TEMPERATURDISPLAY	42
TYST LÄGE	42
DYNAMISK KYLNING	42
HELGLÄGE	42
TEMPERATURLARM	42
UNDERHÅLL OCH RENGÖRING	43
TA UT HYLLORNA	43
RENGÖRING:	43
FELSÖKNING	43
OM PRODUKTEN INTE FUNGERAR, KONTROLLERA ATT	43
PRODUKTEN FUNGERAR, MEN INTE SÅ BRA. KONTROLLERA ATT	44
PRODUKTEN LÅTER MYCKET, KONTROLLERA ATT	44
BELYSNINGEN FUNGERAR INTE, KONTROLLERA ATT	44
DÖRREN STÄNGS INTE ORDENTLIGT, KONTROLLERA ATT	44
DISPLAYEN VISAR "E1" ELLER "E2"	44
EPREL	44
GARANTI OCH SERVICE	45
GARANTI	45

NO- INNHOLDSFORTEGNELSE

RETNINGSLINJER FOR TRYGG BRUK	47
INSTALLERING OG BRUK AV APPARATET	49
KLIMAOMRÅDE	50
PRAKTISKE HVERDAGSTIPS	50
UTPAKKING	52
AVHENDING AV GAMMELT APPARAT	52
KONTROLLER	53
APPARATKONTROLLER – ENKEL- OG DOBBELTSONE	53
FOR Å SLÅ STRØMMEN PÅ/AV	53
FOR Å ENDRE TEMPERATUREN	53
VELG OPTIMAL TEMPERATUR	53
BRUK AV INNVENDIG LYS	54
INNVENDIG LUFTFUKTIGHET	54
TEMPERATURDISPLAY	54
STILLEModus	54
DYNAMISK KJØLEMODUS	54
HELGEModus	54
TEMPERATURALARM	54
VEDLIKEHOLD OG RENGJØRING	55
TA UT HYLLENE	55
RENGJØRING	55
FEILSØKING	55
HVIS APPARATET IKKE VIRKER, KONTROLLER FØLGENDE	55
APPARATET VIRKER, MEN IKKE HELT SOM DET SKAL, KONTROLLER FØLGENDE	56
APPARATET BRÅKER, SJEKK FØLGENDE	56
LYSET VIRKER IKKE, SJEKK FØLGENDE	56
DØRA LUKKER SEG IKKE ORDENTLIG, SJEKK FØLGENDE	56
DISPLAYET VISER "E1" ELLER "E2"	56
EPREL	56
GARANTI OG ETTERSALGSSERVICE	57
GARANTI	57

FI- SISÄLLYSLUETTELO

TURVALLISTA KÄYTTÖÄ KOSKEVIA OHJEITA	59
LAITTEEN ASENNUS- JA KÄYTTÖEHDOT	61
ILMASTOALUE	62
KÄYTÄNNÖN VINKKEJÄ	62
PAKKAUKSEN PURKAMINEN	64
VANHAN LAITTEEN HÄVITYS	64
SÄÄTIMET	65
LAITTEEN SÄÄTIMET - YKSITTÄISALUE JA KAKSOISALUE	65
VIRRAN KYTKEMINEN PÄÄLLE JA POIS PÄÄLTÄ	65
LÄMPÖTILAN MUUTTAMINEN	65
IHANTEELLISEN LÄMPÖTILAN VALINTA	65
SISÄVALON KÄYTTÖ	66
SISÄINEN KOSTEUS	66
LÄMPÖTILANÄYTTÖ	66
HILJAINEN TILA	66
DYNAAMINEN JÄÄHDYTYSTILA	66
VIIKONLOPPUTILA	66
LÄMPÖTILAHÄLYTYS	66
HOITO JA PUHDISTUS	67
HYLLYJEN POISTO	67
PUHDISTUS	67
VIANMÄÄRITYS	67
JOS LAITE EI TOIMI - TARKISTA SEURAAVAT:	67
LAITE TOIMII, MUTTA EI KOVIN HYVIN - TARKISTA SEURAAVAT:	68
LAITE PITÄÄ MELUA - TARKISTA SEURAAVAT:	68
VALO EI TOIMI - TARKISTA SEURAAVAT:	68
OVI EI SULKEUDU OIKEIN - TARKISTA SEURAAVAT:	68
NÄYTÖSSÄ NÄKYVÄ "E1" TAI "E2"	68
EPREL	68
TAKUU JA MYYNNIN JÄLKEINEN HUOLTO	69
TAKUU	69

Dear Customer!

Your appliance is exceptionally easy to use and extremely efficient. Before being packaged and leaving the manufacturer, the appliance was thoroughly checked with regard to safety and functionality.

Before using the appliance, please carefully read these Operating Instructions

Sincerely,

GRAM

GUIDELINES CONCERNING THE SAFETY OF USE

- The appliance is intended for household use only.
- The manufacturer reserves the right to introduce changes which do not affect the operation of the appliance.
- The Manufacturer shall not be held liable for damage arising from the failure to observe the instructions contained in this manual.
- Keep this manual for future reference, or to pass it over to the next user.
- This appliance is not intended for use by persons (including children) with limited physical or mental capabilities and persons who lack experience or familiarity with the appliance.
- Do not allow children to use the appliance. Do not allow them to play with the appliance. They must not climb inside the drawers and swing on the doors.
- The appliance operates properly at the ambient temperature (see product fiche). Do not use it in the cellar, unheated summer cottage during autumn and winter.
- When placing, moving, lifting the appliance, do not hold the door handles, do not pull the condenser at the rear part of the refrigerator and do not touch the compressor unit.
- Pull the plug out from the mains socket before each maintenance activity. Do not pull on the cord, but hold the body of the plug instead.
- The “cracking” sound, which the appliance may emit is caused by the expansion and contraction of parts as a result of temperature variations.
- For safety reasons do not repair the appliance yourself. Repairs carried out by persons who do not have the required qualifications may result in serious danger for the user of the appliance.

- Make sure you do not damage the cooling system, by puncturing the refrigerant pipes in the evaporator or breaking the pipes. The refrigerant is flammable. If the refrigerant makes contact with the eyes, rinse them with clean water and call for medical assistance immediately.
- Important! If the power cord is damaged, it should be replaced by the manufacturer or specialist repair centre or a qualified person in order to avoid danger.
- When performing activities, such as cleaning, maintenance or moving, the appliance must be completely disconnected from power supply (by pulling the plug out from the socket)
- This appliance can be used by children aged 8 years and older or by persons with physical, mental or sensory handicaps, or by those who are inexperienced or unfamiliar with the appliance, provided they are supervised or have been instructed how to safely use the appliance and are familiar with risks associated with the use of the appliance. Ensure that children do not play with the appliance. Cleaning and maintenance of the appliance should not be performed by children unless they are 8 years or older and are supervised by a competent person.
- Do not clean the appliance with steam
- Keep the appliance and its power cord away from children under 8 years old.
- Do not immerse the power cord or plug in water.
- Keep cord away from heated surfaces.
- Do not allow the connection cord hanging over the edge of a table or counter.
- Do not use any electrical appliances inside the chamber
- Do not use any tools to speed up the defrosting process
- Regularly clean the ventilation openings (in case of built-in appliances or those installed under the worktop)

- This appliance is not designed to be controlled by electronic timers or other devices that cut off power directly or remotely.
- In case of accidental spillage of liquids on electrical components, immediately unplug your appliance from the power supply.
- Make sure that the power cord is not crushed or damaged during installation.
- Disable the appliance before disposing of it. Unplug the appliance from the power supply and cut off the power cord. To prevent children or animals from being trapped in the appliance, remove the doors, hinges and locks.
- Note: If the appliance does not have a freezer compartment (❄️❄️❄️), it is not suitable for freezing foodstuffs.
- Pursuant to Commission Regulation (EU) 2019/2019, the minimum availability period for spare parts necessary to repair the appliance is 7 or 10 years depending on the type and purpose of the spare part.
- The list of spare parts and the ordering procedure are available on the websites of the manufacturer, importer or an authorized representative.

INSTALLATION AND OPERATING CONDITIONS OF THE APPLIANCE

- Connect the appliance to the power supply 24 hours after unpacking and setting in the final location.
- Take the product out of the package, remove the scotch tape protecting the door and the equipment. Any remaining adhesive stains may be removed with a mild washing agent.
- Clean the interior surface of the cooler and the elements of the equipment with a washing agent dissolved in lukewarm water, then wipe it dry.
- Place the cooler on an even, flat and stable surface, in dry, aired and shaded room, far from the heat sources such as: oven, hob, central heating radiators, central heating pipes, hot water installation, etc.
- On the exterior surface of the product may be a protective foil, this foils should be removed.
- Make sure the appliance is placed in a horizontal position by screwing

- in the 2 adjustable front legs (fig. 1)
- Keep free space on the sides and rear of the appliance (see installation drawing)
- When you install your wine cooler inside a furniture cabinet, make sure that the ventilation grille located in the bottom of the appliance is not blocked.
- Odours may be released when you first start your appliance. It will dissipate when the interior of the appliance cools down
- When you first start your wine cooler, the compressor will run continuously until the desired temperature is reached inside the chamber
- When you unplug your appliance from the power supply, it is recommended to wait 5 minutes before you plug it back in. This will reduce the risk of damage to the compressor.
- On selected models, the correct temperature will be shown on the display only a few hours after the wine cooler has been put into operation
- This appliance should be connected to AC 220-240V 50Hz supply socket. The socket must be fitted properly, and must be supplied with an earthing conduit and a 10A fuse.
- It is a legal requirement that the appliance is properly earthed. The manufacturer will not be held liable for any damage or injury which may result from the failure to fulfil this requirement.
- Do not use adapters, multiple sockets and two-wire extension leads. If it is necessary to use the extension lead, it must be equipped with a protection ring and a single socket and must have a VDE/GS safety certificate.
- If an extension lead is used (with a protection ring and safety certificate), its socket must be located at a safe distance, away from the sinks, and must not be in a place where it could be flooded by water or waste water.
- Make sure the appliance can be easily disconnected from the mains, either by pulling the plug out of the mains socket, or by switching the two-pole switch off.

Climate range

The information about the climate range of the appliance is provided on the rated plate. It indicates at which ambient temperature (that is, room temperature, in which the appliance is working) the operation of the appliance is optimal (proper).

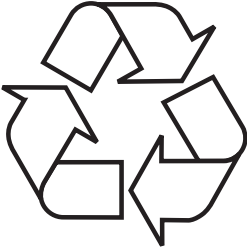
Climate class		Allowable ambient temperature
SN	Extended Temperate	This refrigeration appliance is intended for use at an ambient temperature ranging between 10°C and 32°C
N	Temperate	This refrigeration appliance is intended for use at an ambient temperature ranging between 16 °C and 32°C
ST	Subtropical	This refrigeration appliance is intended for use at an ambient temperature ranging between 16 °C and 38 °C
T	Tropical	This refrigeration appliance is intended for use at an ambient temperature ranging between 16 °C and 43 °C

PRACTICAL EVERYDAY TIPS

- If the light inside the appliance remains turned on, keep in mind that the temperature inside the appliance will be higher
- Temperature inside the appliance depends on the amount and type of stored wine bottles
- To ensure user safety and high quality of stored wine, do not install the appliance in damp rooms
- Store wine bottles in designated spaces
- Your wine cooler has a limited capacity. Do not place more bottles in your wine cooler than recommended in specification
- Do not open the wine cooler door if it is not necessary
- Do not cover the shelves with aluminium foil or other material. This blocks the air circulation inside the appliance
- To avoid damage to the door seal, make sure that the door is completely open before pulling out the shelf. The shelves should be inserted as far as possible, otherwise the shelf may deform and damage the door seal.
- Do not extend the loaded shelves beyond the extension limit (about 1/3 of the shelf length)
- This appliance is designed for storing bottles of wine. Do not use it for any other purpose.
- Temperature stability is very important when storing wine.
- Exposing your wine cooler to sunlight, significant temperature fluctuations, high humidity and vibrations may cause the wine to go bad.
- In periods of high humidity, condensed water vapour may appear on the outer surfaces of the glass door. To prevent this, install the appliance in a dry, adequately ventilated room.
- Selected models have an external handle. You need to install it on your own. Do not use electric tools for this purpose (fig. 3*). To do this, pull the door seal slightly to the side and place the screws on the inside of the door. Align the handle with the holes on the outside of the door and tighten the screws with a screwdriver. Reinstall the door seal.
- The maximum capacity of the appliance is given in the product sheet enclosed with the wine cooler. This capacity applies to standard 0.75 litre bottles of Bordeaux.
- Selected models have an Anti-tip kit. Install it according to the enclosed diagram (fig. 6*).
- This refrigeration appliance is intended for use as a built-in appliance.
- To achieve the most effective food preservation for the longest possible time and to avoid wasting any food, position the products as shown in Figure 12. In addition, this figure illustrates the layout of drawers, baskets and shelves, which allows the most efficient use of energy.
- Optimal temperature and storage conditions will extend product shelf life and optimize electricity consumption. Optimal storage temperature range should be stated on the food product packaging.

*According to the model

UNPACKING



During transportation, protective packaging was used to protect the appliance against any damage. After unpacking, please dispose of all elements of packaging in a way that will not cause damage to the environment.

All materials used for packaging the appliance are environmentally friendly; they are 100% recyclable and are marked with the appropriate symbol.

Important! Packaging materials (bags, polyethylene, polystyrene, etc.) should be kept away from children during unpacking.

DISPOSAL OF OLD APPLIANCE



In accordance with European Directive 2012/19/EU and local legislation regarding used electrical and electronic goods, this appliance is marked with the symbol of the crossed-out waste container. This marking indicates that the appliance must not be disposed

of together with other household waste after it has been used.

The user is obliged to hand it over to waste collection centre collecting used electrical and electronic goods. The collectors, including local collection points, shops and local authority departments provide recycling schemes.

Proper handling of used electrical and electronic goods helps avoid environmental and health hazards resulting from the presence of dangerous components and the inappropriate storage and processing of such goods.

CONTROLS

Appliance controls- single and dual zone





The control panel is shown in figure 4. For reference it is also shown below:

Single zone



Dual zone



-  – Power button
-  – Light button
-  – “+” button
-  – “-” button

To switch the power on/off

Press and hold the power button for one second to switch the wine cooler on.

Press and hold the power button for five seconds to switch the wine cooler off.

To change the temperature

- Press the “+” or “-” buttons until the required temperature is shown on the display.
- The Preset temperature is 12°C / 54° F.
- To change the temperature display from Fahrenheit to Celsius, or Celsius to Fahrenheit, press and hold the light button for five seconds.
- To view the set temperature, touch the “+” or “-” button at any time and the set temperature will flash in the LED display for five seconds.
- The display shows the current internal temperature when the wine cooler is on.

Note: The temperature in the lower zone must be set either the same as or higher than the temperature in the upper zone. For optimal performance, the temperatures in the two zones should differ by at least 4 °C.

Optimal temperature selection

Whilst wine is best stored at temperatures between 13 and 15° C, your wine can also be stored at drinking temperature. For red wine this is between 15 and 17° C, and for white wine between 12 and 13° C.

To use the internal light

Press the light button to switch the light on or off.

Internal Humidity

According to the model wine coolers are equipped with a humidity system to maintain optimal humidity within the wine cooler. Fill the humidity reservoir approximately 3/4 full with water. Place the reservoir on the runners on the top shelf as shown in fig. 2. Ensure it is located correctly to prevent water spillage. Check the water level regularly and refill if required.

Temperature display

The temperature display will show the current internal temperature.

The display flashes:

- When a different temperature is being set
 - If the internal temperature is +/- 5° away from the set temperature.
- This serves as a warning to prevent damage to the contents of the appliance should the temperature be too high.

Silent mode

Once the required temperature is reached, the appliance will run without the fan. The wine cooler is factory set to silent mode. To change to dynamic cooling mode, touch and hold the "-" button for approximately five seconds (left hand "-" button on 2-Zone coolers). The wine cooler will beep five times to confirm dynamic cooling is on.

Dynamic cooling mode

The fan cycles on and off to circulate the air even after the required temperature is reached. This ensures consistent humidity and temperature distribution in the wine cooler, creating perfect conditions for long term storage.

Using the dynamic mode increases the level of noise in operation.

To change to silent mode, touch and hold the "+" button for approximately five seconds (left hand "+" button on 2-Zone coolers). The wine cooler will beep three times to confirm silent mode is on.

Weekend mode

This will switch off the displays, interior light and audible alarms. The cooling process will continue.

To switch the Weekend mode on, touch and hold the power and light keys simultaneously for five seconds. The indicator light will flash four times and confirm the mode is on. Mode will switch off automatically after 48 hours, but to switch the mode off at any time, touch and hold the power and light keys simultaneously for five seconds.

Temperature alarm

If the temperature rises or falls outside the set temperature range, an alarm will sound and the display will flash. This may be because:

- The wine cooler has not yet reached the set temperature (when first switched on).
- There has been a power failure.
- The wine cooler has been overloaded.
- The door is not closed properly.

CARE AND CLEANING

Always disconnect the appliance from the mains electrical supply before any cleaning or maintenance.

Removing the shelves

- To remove a shelf from the wine cooler, first remove all bottles from the shelf, then pull the shelf forwards until the groove on either side of the shelf is level with the plastic peg on either side of the cabinet (as shown in fig 5). Then lift the shelf up and pull forwards.
- To replace the shelves, follow the steps above in reverse order.

Cleaning

- Do not use abrasive products or detergents. After washing, rinse and dry thoroughly.
- The exterior of the appliance and the door seal should be cleaned using mild soapy water and dried thoroughly.
- The interior cabinet should be cleaned using a solution of bicarbonate of soda and lukewarm water.
- Clean the shelves separately by hand using soap and water. Do not put them in the dishwasher.
- Ensure that the cloth is only moist when cleaning the control panel and electrical parts, and that all water is thoroughly dried off before reconnecting the power.
- Once cleaning is complete, reconnect the mains electrical supply.
- If the appliance is not to be used for prolonged periods of time, unplug and clean the appliance thoroughly. The door should be left slightly ajar to prevent the formation of odours or condensation

TROUBLESHOOTING

If you have any problems with your appliance, you should check the troubleshooting guide prior to calling Call Center to prevent unnecessary service calls and potential cost.

If the appliance is not working, check

- There is power to the appliance
- The house fuses or circuit breakers are intact and the fuse in the plug has not blown.
- The plug socket is functioning correctly. To check this, plug another electrical appliance in to see if the socket is working.
- The ambient temperature is between 16°C to 32°C.

The appliance is working, but not very well, check

- The appliance is not overloaded.
- The thermostat is set to an appropriate temperature.
- The door is closing properly.
- The door gasket is sealing properly
- There is enough ventilation at the side and rear walls.
- The ambient temperature is between 16°C to 32°C.

The appliance is noisy, check

- The appliance is level and stable.
- The cooling gas will make some noise, even when the compressor is not running.
- During operation, it is normal for the fan to run, even when the compressor is not running.

The light does not work, check

- There is power to the appliance.
- The house fuses or circuit breakers are intact and the fuse in the plug has not blown.
- The light button is not set to off.

Please note:

The LED lighting cannot be replaced without a service call

The door will not close properly, check

- The appliance is level and stable.
- If the door has been removed, it may not have been correctly refitted.
- The door seal is dirty.
- The shelves are not positioned correctly.

The display shows "E1" or "E2"

- The temperature sensor has failed. Please contact Call Center

EPREL

For more information about the product, please refer to the EU EPREL Product Database at <https://eprel.ec.europa.eu>. For more information, please use your mobile device to scan the QR code on the energy label or enter the product model listed on the energy label in the EPREL search engine <https://eprel.ec.europa.eu/>

WARRANTY AND AFTER SALES SERVICE

Warranty

Warranty service as stated on the warranty card. The manufacturer shall not be held liable for any damage caused by improper use of the product.

Service

- The manufacturer recommends that all repairs and adjustments be carried out by the Factory Service Technician or the Manufacturer's Authorized Service Point. For safety reasons, repairs should be referred to professionals.
- Repairs carried out by unqualified persons may seriously endanger the appliance user.
- The minimum warranty period for the appliance offered by the manufacturer, importer or authorized representative is given in the warranty card.
- The warranty shall be void if you make any independent adaptations or alterations, tamper with seals or other appliance safety devices or its parts or interfere with the appliance contrary to operating instructions.

In the event of appliance malfunction, request assistance or repair.

If your appliance needs repair, please contact the service centre. Please see warranty card for address and contact details of our service centre. Before contacting us, please have ready the appliance serial number, which can be found on the identification sticker: For your convenience, please write it down below:

--	--	--	--	--	--	--	--	--	--	--	--	--	--	--	--	--	--	--	--

Manufacturer's Declaration

The manufacturer hereby declares that this product meets the requirements of the following European directives:

- **Low Voltage Directive 2014/35/EC**
- **Electromagnetic Compatibility (EMC) Directive 2014/30/EC**
- **ErP Directive 2009/125/EC**
- **Directive RoHS 2011/65/EC**

and has thus been marked with the  symbol and been issued with a declaration of compliance made available to market regulators.

Kære kunde!

Dette produkt er yderst nemt at bruge og meget effektivt. Før produktet blev pakket og sendt fra producenten, blev det tjekket grundigt med hensyn til sikkerhed og funktionalitet.

Læs denne betjeningsvejledning omhyggeligt, inden produktet tages i brug.

GRAM

VEJLEDNING I SIKKER BRUG

- Dette apparat er kun beregnet til husholdningsbrug.
- Producenten forbeholder sig ret til at indføre ændringer, som ikke påvirker betjeningen af apparatet.
- Producenten kan ikke holdes ansvarlig for skade, der er forårsaget af manglende overholdelse af instruktionerne i denne vejledning.
- Gem denne vejledning til fremtidig brug, eller overdrag den til den næste bruger.
- Dette apparat er ikke beregnet til brug af personer (herunder børn) med fysiske, mentale eller sensoriske handicap eller personer, som er uerfarne eller ubekendte med apparatet.
- Lad ikke børn benytte apparatet uden opsyn. Lad ikke børn lege med apparatet. De må ikke kravle ind i skufferne og svinge på dørene.
- Apparatet fungerer korrekt ved den omgivende temperatur (se produktarket). Bør ikke bruges i en kælder eller et uopvarmet sommerhus om efteråret og vinteren.
- Ved anbringelse, flytning og løft af apparatet, må der ikke holdes i håndtagene eller trækkes i kondensatoren på bagsiden af køleskabet, og kompressoren må ikke berøres.
- Tag stikket ud af stikkontakten før al vedligeholdelsesaktivitet. Træk ikke i ledningen, men tag fat i selve stikket.
- Den "knasende" lyd, som apparatet måske udsender, skyldes udvidelse og sammentrækning af delene som resultat af temperatursvingninger.
- Af sikkerhedsmæssige årsager må du ikke selv reparere apparatet. Reparationer, udført af personer, som ikke har de fornødne kvalifikationer, kan resultere i alvorlig fare for brugeren af apparatet.

- Sørg for ikke at ødelægge kølesystemet ved at punktere kølerørene i fordampere eller ved at brække rørene. Kølevæsken er brandfarlig. Hvis kølevæsken kommer i øjnene, skal de renses med rent vand, og der skal søges lægehjælp øjeblikkeligt.
- Vigtigt! Hvis ledningen er beskadiget, skal den udskiftes af producenten, et specialiseret reparationsværksted eller en fagmand for at undgå fare.
- Når der udføres aktiviteter som rengøring, vedligeholdelse eller flytning, skal apparatet afbrydes fuldstændig fra strømforsyningen (ved at tage stikket ud af stikkontakten).
- Dette apparat kan bruges af børn på 8 år og derover samt ældre personer med fysiske, mentale eller sensoriske handicap eller personer, som er uerfarne eller ubekendte med apparatet, under forudsætning af at de vejledes eller er blevet instrueret i at bruge apparatet på en sikker måde og er bekendte med de risici, der er forbundet med brug af apparatet. Sørg for, at børn ikke leger med apparatet. Rengøring og vedligeholdelse af apparatet bør ikke udføres af børn, medmindre de er 8 år eller derover og vejledes af en kompetent person.
- Rengør ikke apparatet med damp.
- Hold apparatet og dets ledning væk fra børn under 8 år.
- Sænk ikke ledningen eller stikket ned i vand.
- Hold ledningen væk fra varme overflader.
- Lad ikke ledningen hænge over kanten af et spise- eller køkkenbord.
- Brug ikke nogen elektriske apparater inde i skabet.
- Brug ikke nogle redskaber til at gøre afrimningen hurtigere.
- Rens jævnligt ventilationsåbningerne (hvis apparatet er indbygget eller installeret under en bordplade).

- Dette apparat er ikke beregnet til at blive styret af elektroniske ure eller andre enheder, der kan afbryde strømmen direkte eller ved fjernbetjening.
- I tilfælde af utilsigtet væskespild på elektriske komponenter skal strømmen til apparatet straks afbrydes.
- Sørg desuden for, at ledningen ikke mases eller beskadiges under installationen.
- Gør apparatet ubrugeligt før kassering. Tag stikket ud af stikkontakten, og klip ledningen af. Fjern døre, hængsler og låse for at forhindre, at børn eller dyr bliver fanget inde i apparatet.
- Bemærk: Hvis apparatet ikke har et indfrysingsrum (✱***) , er det ikke egnet til at fryse fødevarer.
- I overensstemmelse med Kommissionens forordning (EU) 2019/2019 er den korteste periode for adgang til reservedele til reparation af apparatet 7 eller 10 år afhængigt af reservedelens type og formål.
- Listen over reservedele og bestillingsproceduren kan ses på producentens, importørens eller den bemyndigede repræsentants hjemmeside.

INSTALLATION OG BETJENINGSFORHOLD FOR APPARATET

- Slut strøm til apparatet 24 timer efter udpakning og opstilling i den endelige position.
- Tag produktet ud af emballagen, fjern tapen, der beskytter døren og udstyret. Eventuelle klæbende pletter kan fjernes med en mild sæbe.
- Rengør den indre overflade af køleskabet samt de forskellige dele med et sæbemiddel, der er opløst i lunkent vand, og tør det derefter helt tørt.
- Placer køleskabet på en jævn, flad og stabil overflade i et tørt, luftigt og skyggefuldt rum, langt væk fra varmekilder som: ovn, kogeplade, radiatorer, varmerør, varmtvandsinstallationer osv.
- Der kan være en beskyttelsesfilm på produktets yderside, som bør fjernes.
- Kontroller, at apparatet er placeret vandret ved at skrue på de to justerbare ben mod forsiden (fig. 1)

- Lad der være fri plads ved siden af og bagved apparatet (se installationstegningen)
- Hvis du installerer vinkøleskabet i et skab, skal du sikre, at ventilationsgitteret i bunden af apparatet ikke er blokeret.
- Der kan afgives lugt, når du begynder at bruge apparatet. Den vil forsvinde, når apparatets indre køler ned.
- Når du tænder for vinkøleskabet, vil kompressoren arbejde, indtil den ønskede temperatur er nået inde i skabet.
- Hvis du afbryder strømmen til apparatet, anbefales det at vente 5 minutter, før du tilslutter strømmen igen. Det nedsætter risikoen for at beskadige kompressoren.
- På udvalgte modeller vises den korrekte temperatur på displayet nogle få timer efter, at skabet er taget i brug.
- Dette apparat skal tilsluttes en AC 220-240V 50Hz-stikkontakt. Stikkontakten skal installeres korrekt og skal være forsynet med en jordforbindelse og en 10A-sikring.
- Det er et lovkrav, at apparatet er korrekt jordforbundet. Producenten kan ikke holdes ansvarlig for nogen skade, der er resultat af, at dette krav ikke overholdes.
- Brug ikke adaptere, stikdåser med flere stik eller forlængerledninger med to ledere. Hvis det er nødvendigt at bruge en forlængerledning, skal den være forsynet med en beskyttelsesring og et enkelt stik, og den skal have et VDE/GS-sikkerhedscertifikat.
- Hvis der bruges en forlængerledning (med en beskyttelsesring og sikkerhedscertifikat), skal dens stikkontakt være i sikker afstand fra køkkenvasken, og den må ikke være et sted, hvor den kan blive oversvømmet af vand eller spildevand.
- Vær sikker på, at strømmen til apparatet nemt kan afbrydes, enten ved at trække stikket ud af stikkontakten eller ved at slukke for to-polskontakten.

Klimainterval

Oplysninger om klimaintervallet fremgår af mærkepladen. Den angiver, i hvilken omgivende temperatur (dvs. temperaturen i det rum, hvor apparatet bruges) apparatet fungerer bedst (korrekt).

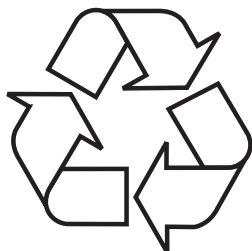
Klimaklasse		Tilladt omgivelsestemperatur
SN	Udvidet tempereret	Dette køle/fryseapparat er beregnet til brug ved en omgivelsestemperatur på mellem 10 °C og 32 °C
N	Tempereret	Dette køle/fryseapparat er beregnet til brug ved en omgivelsestemperatur på mellem 16 °C og 32 °C
ST	Subtropisk	Dette køle/fryseapparat er beregnet til brug ved en omgivelsestemperatur på mellem 16 °C og 38 °C
T	Tropisk	Dette køle/fryseapparat er beregnet til brug ved en omgivelsestemperatur på mellem 16 °C og 43 °C

PRAKTISKE HVERDAGSTIPS

- Hvis lyset inde i apparatet forbliver tændt, skal man huske på, at temperaturen inde i apparatet bliver højere.
- Temperaturen i apparatet afhænger af mængden og typer af vinflasker, der opbevares i det.
- Af hensyn til brugerens sikkerhed og kvaliteten af den lagrede vin bør apparatet ikke installeres i fugtige rum.
- Opbevar vinflaskerne på de dertil bestemte pladser.
- Vinkøleskabet har en begrænset kapacitet. Læg ikke flere flasker i vinkøleskabet, end det anbefales i specifikationen.
- Luk ikke døren til vinkøleskabet op, hvis det ikke er nødvendigt.
- Dæk ikke hylderne med aluminiumsfolie eller andet materiale. Dette blokerer for luftcirkulationen i apparatet.
- Sørg for, at døren er helt åben, før en hylde trækkes ud for at undgå beskadigelse af dørens forsegling. Hylderne skal skubbes så langt ind som muligt, da de ellers kan deformere og beskadige dørens forsegling.
- Træk ikke de fyldte hylder længere ud end udtrækningsgrænsen (ca. 1/3 af hyldens længde).
- Apparatet er kun beregnet til lagring af vinflasker. Brug det ikke til noget andet formål.
- Stabil temperatur er meget vigtig ved opbevaring af vin.
- Hvis vinkøleskabet udsættes for sollys, betydelige temperatursvingninger, høj fugtighed eller vibrationer kan vinen tage skade.
- I perioder med høj fugtighed kan der optræde kondensvand på glasdørens yderside. For at undgå dette skal apparatet installeres i et tørt, tilstrækkeligt ventileret rum.
- Udvalgte modeller har et eksternt håndtag. Du skal selv montere det. Brug ikke elektriske redskaber til dette formål (fig. 3*).
- Apparatets maksimale kapacitet fremgår af produktarket, der følger med vinkøleskabet. Denne kapacitet gælder for standard 0,75 liters Bordeaux-flasker.
- Udvalgte modeller har en foranstaltning, der forhindrer væltning. Monter den i henhold til det medfølgende diagram (fig. 6*).
- Dette køle/fryseapparat er beregnet til indbygning.
- For at opnå den mest effektive konservering af maden i længst mulige tid og for at undgå madspild skal produkterne placeres som vist i fig. 12. Denne illustration viser desuden den indretning af skuffer, kurve og hylder, som giver størst energieffektivitet.
- Optimal temperatur og optimale opbevaringsforhold vil forlænge produkternes levetid og optimere energiforbruget. Den optimale opbevaringstemperatur bør fremgå af produktets emballage.

* Afhængigt af model

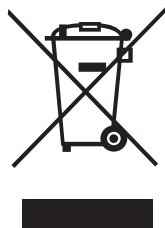
UDPAKNING



Under transporten blev der anvendt beskyttende emballage for at beskytte apparatet mod skade. Efter udpakning bedes al emballage bortskaffes på en måde, som ikke skader miljøet. Alle materialer, der er brugt til apparatets emballage, er miljøvenlige. De er 100 % genanvendelige og er mærket med det relevante symbol.

Vigtigt! Emballagen (poser, polyetylen, polystyren osv.) skal holdes væk fra børn under udpakningen.

BORTSKAFFELSE AF DET GAMLE PRODUKT



I overensstemmelse med det europæiske direktiv 2012/19/EU. Denne mærkning betyder, at apparatet ikke må kasseres sammen med andet husholdningsaffald, når det er udtjent.

Brugeren er forpligtet til at indlevere det på en genbrugsstation, der indsamler brugt elektrisk og elektronisk udstyr. Indsamlingsinstanser, heriblandt lokale indsamlingssteder, forretninger og lokale myndigheder har genbrugsordninger.

Passende håndtering af brugt elektrisk og elektronisk udstyr hjælper med til at undgå miljømæssige og sundhedsmæssige risici, der skyldes tilstedeværelse af farlige komponenter og uforsvarlig oplagring og behandling af sådant udstyr.

BETJENING

Apparatets betjeningsknapper - enkelt- og dobbeltzone





Betjeningspanelet er vist i figur 4. For reference vises det også herunder:

Enkeltzone



Dobbeltzone



-  - Strømknop
-  - Lysknop
-  - "+"-knop
-  - "-"-knop

Tænd/sluk for strømmen.

Tryk og hold strømknappen i ét sekund for at tænde for vinkøleskabet. Tryk og hold strømknappen i fem sekunder for at slukke for vinkøleskabet.

Ændring af temperaturen

- Tryk på knapperne "+" eller "-", indtil den ønskede temperatur vises på displayet.
- Den forudindstillede temperatur er 12 °C/54 °F.
- Ændring af temperaturen fra Fahrenheit til Celsius eller Celsius til Fahrenheit sker ved at trykke og holde lysknappen i fem sekunder.
- Berør knappen "+" eller "-" når som helst for at se den indstillede temperatur, som vil blinke i LED-displayet i fem sekunder.
- Displayet viser den aktuelle temperatur i vinkøleskabet, når det er tændt.

Bemærk: Temperaturen i den nederste zone skal sættes til enten den samme eller en højere temperatur end i den øverste zone. For at opnå den bedste ydelse bør forskellen mellem temperaturen i de to zoner være på højst 4 °C.

Valgfrit temperaturvalg

Vin opbevares bedst ved en temperatur mellem 13 og 15 °C, men din vin kan også opbevares ved drikketemperatur. For rødvin er denne mellem 15 og 17 °C og for hvidvin mellem 12 og 13 °C.

Brug af lyset i skabet

Tryk på lysknappen for at tænde eller slukke for lyset.

Fugtighed i skabet

Alt efter model er vinkøleskabe udstyret med et fugtighedssystem, som opretholder den optimale fugtighed inde i skabet. Fyld fugtighedsbeholderen ca. 3/4 op med vand. Placer beholderen på skinnerne på øverste hylde, som vist på fig. 2. Sørg for, at den er korrekt placeret for at undgå vandspild. Tjek vandstanden regelmæssigt, og fyld op om nødvendigt.

Temperaturdisplay

Temperaturdisplayet viser den aktuelle temperatur i skabet.

Displayet blinker:

- Når der indstilles en ny temperatur
 - Hvis temperaturen afviger +/- 5° fra den indstillede temperatur.
- Dette tjener som en advarsel for at undgå at skade apparatets indhold, hvis temperaturen er for høj.

Lydløs tilstand

Når den indstillede temperatur er nået, vil apparatet arbejde uden blæser. Vinkøleskabet er fra fabrikken indstillet til lydløs tilstand. Skift til dynamisk køletilstand sker ved at trykke og holde knappen "-" i ca. fem sekunder (venstre "-"-knap på 2-zoners køleskabe). Vinkøleskabet vil bippe fem gange for at bekræfte, at dynamisk køling er tændt.

Dynamisk køletilstand

Blæseren tænder og slukker i cyklusser for at cirkulere luften jævnt, når den indstillede temperatur er nået. Dette sikrer en ensartet fugtigheds- og temperaturfordeling i vinkøleskabet, hvilket skaber de perfekte betingelser for langtidsopbevaring.

Brug af den dynamiske køletilstand øger støjniveauet under brug.

Skift til lydløs tilstand sker ved at trykke og holde knappen "+" i ca. fem sekunder (venstre "+"-knap på 2-zoners køleskabe). Vinkøleskabet vil bippe tre gange for at bekræfte, at lydløs tilstand er tændt.

Weekend-tilstand

Denne slukker for display, lys i skabet og lydalarmer. Køleprocessen fortsætter.

Weekend-tilstand aktiveres ved at trykke og holde strøm- og lysknapperne samtidigt i fem sekunder. Indikatorlyset blinker fire gange og bekræfter, at tilstanden er aktiv. Tilstanden slukker automatisk efter 48 timer, men kan altid deaktiveres ved at trykke og holde strøm- og lysknapperne samtidigt i fem sekunder.

Temperaturalarm

Hvis temperaturen stiger eller falder uden for det indstillede temperaturinterval, vil der høres en lydalarm, og displayet vil blinke. Dette kan skyldes:

- Vinkøleskabet har endnu ikke nået den indstillede temperatur (når det tændes første gang).
- Der har været en strømafbrydelse.
- Vinkøleskabet er overfyldt.
- Døren er ikke lukket rigtigt.

PLEJE OG RENGØRING

Apparatet skal altid afbrydes fra strømforsyningen før rengøring eller vedligeholdelse.

Fjernelse af hylderne

- Når en hylde fjernes fra vinkøleskabet, fjernes først alle flasker fra hylden, hvorefter hylden trækkes fremad, indtil rillen på hver side af hylden er på niveau med plastiktappen i hver side af skabet (som vist på fig. 5). Herefter løftes hylden op og trækkes fremad.
- Hyldeerne sættes ind i skabet ved at følge ovenstående trin i omvendt rækkefølge.

Rengøring

- Brug ikke slibende produkter/rengøringsmidler. Efter afvaskning skylles og tørres grundigt.
- Apparatets ydre og dørens forsegling rengøres med mildt sæbevand og tørres derefter grundigt.
- Skabets indre rengøres med en opløsning af tvekulsurt natron og lukket vand.
- Rengør hyldeerne hver for sig i hånden med brug af sæbe og vand. Sæt dem ikke i opvaskemaskinen.
- Sørg for, at kluden kun er fugtig, når betjeningspanelet og de elektriske dele rengøres, og at alt vand er omhyggeligt tørret af, før strømmen tilsluttes igen.
- Efter rengøring tilsluttes strømmen igen.
- Hvis apparatet ikke skal bruges i en længere periode, tages stikket ud, og apparatet rengøres grundigt. Døren skal stå på klem for at forhindre dårlig lugt og dannelse af kondens.

FEJLFINDING

Hvis du har problemer med dit apparat, bør du tjekke oversigten over fejlfinding, før du kontakter kundeservice for at undgå unødvendig service og eventuelle udgifter.

Hvis apparatet ikke virker

- Tjek at apparatet er tilsluttet strøm
- Tjek at huset sikringer og relæer er intakte, og at sikringen i stikket ikke er gået
- Tjek at stikkontakten fungerer korrekt. Dette tjekkes ved at slutte et andet apparat til for at se, om stikkontakten virker
- Tjek at stuetemperaturen er mellem 16 °C og 32 °C.

Hvis apparatet fungerer, men ikke særlig godt

- Tjek at apparatet ikke er overfyldt
- Tjek at termostaten er sat til en passende temperatur
- Tjek at døren lukker rigtigt
- Tjek at dørens pakning er forseglet ordentligt
- Tjek at der er tilstrækkelig ventilation ved side- og bagvæggene
- Tjek at stuetemperaturen er mellem 16 °C og 32 °C.

Hvis apparatet larmer

- Tjek at apparatet står vandret og stabilt
- Kølegassen afgiver nogen støj, selv når kompressoren ikke arbejder
- Under brug er det normalt, at blæseren fungerer, selv når kompressoren ikke arbejder.

Hvis lyset ikke virker

- Tjek at apparatet er tilsluttet strøm
- Tjek at husets sikringer og relæer er intakte, og at sikringen i stikket ikke er gået
- Tjek at lyskontakten ikke er slukket.

Bemærk:

LED-lyset kan ikke udskiftes uden service.

Hvis døren ikke lukker rigtigt

- Tjek at apparatet står vandret og stabilt
- Hvis døren har været taget af, er den muligvis ikke sat korrekt på igen
- Tjek om dørens forsegling er snavset
- Tjek at hylderne sidder i korrekt position.

Displayet viser "E1" eller "E2"

- Temperatursensoren er i stykker. Kontakt kundeservice.

EPREL

Yderligere information om dette produkt kan findes i EU-produktdata-basen EPREL på <https://eprel.ec.europa.eu>. Få yderligere information ved at scanne QR-koden på energietiketten ved hjælp af din mobilenhed, eller indtast produktmodellen fra energietiketten i EPREL-søgemaskinen på <https://eprel.ec.europa.eu/>

GARANTI OG SERVICE

Garanti

Garantiservice som angivet på garantikortet
Producenten kan ikke holdes ansvarlig for nogen som helst skade, der er forårsaget af forkert brug af apparatet.

Service

- Producenten anbefaler, at alle reparationer og justeringer foretages af en tekniker fra fabrikken eller på et servicecenter, der er godkendt af producenten. Af sikkerhedsgrunde bør reparationer kun foretages af professionelle fagfolk.
- Reparationer foretaget af ukvalificerede personer kan udgøre en alvorlig fare for brugeren af apparatet.
- Den mindste garantiperiode for apparatet, der tilbydes af producenten, importøren eller den bemyndigede repræsentant fremgår af garantibeviset.
- Garantien gælder ikke, hvis du selv udfører tilretninger eller ændringer, ændrer forseglinger eller andet af apparatets sikkerhedsudstyr eller dets dele eller behandler apparatet i modstrid med betjeningsvejledningen.

I tilfælde af fejl på apparatet skal du bestille assistance eller reparation.

Hvis dit apparat behøver reparation, bedes du kontakte servicecenteret. Se adressen og kontaktoplysninger for vores servicecenter på garantibeviset. Før du kontakter os, bedes du have apparatets serienummer, som kan ses på identifikationsetiketten, parat: For at gøre det nemmere for dig selv bedes du skrive det ned:

--	--	--	--	--	--	--	--	--	--	--	--	--	--	--	--	--	--	--	--	--

Producentdeklaration

Producenten erklærer herved, at dette produkt lever op til kravene i følgende europæiske direktiver:

- **Lavspændingsdirektivet 2014/35/UE**
- **Direktivet vedr. elektromagnetisk kompatibilitet (EMC) 2014/30/UE**
- **ErP-direktivet 2009/125/UE**
- **Direktivet RoHS 2011/65/UE**

og er således mærket med symbolet  og er forsynet med en overholdelsesdeklaration, der stilles til rådighed for markedsregulatorer.

BÄSTA KUND!

Denna produkt förenar användarvänlighet med utmärkt prestanda. Innan produkten lämnade vår fabrik kontrollerades den noga avseende säkerhet och funktion.

Läs igenom användarmanualen noga innan du börjar använda produkten.

GRAM

SÄKERHETSANVISNINGAR

- Produkten är endast avsedd för hushållsbruk.
- Tillverkaren förbehåller sig rätten till ändringar som inte inverkar på produktens funktioner.
- Tillverkaren ansvarar inte för skador som uppstår på grund av att instruktionerna i manualen inte har följts.
- Spara manualen för framtida bruk och lämna med den om produkten byter ägare.
- Produkten får inte användas av personer (gäller också barn) med fysisk eller psykisk funktionsnedsättning, eller av personer som saknar erfarenhet eller kunskap om den.
- Barn får inte använda produkten. Låt inte barn leka med produkten. De ska inte klättra i lådorna eller gunga på dörren.
- Produkten ska stå i rumstemperatur för att fungera korrekt (se informationsbladet). Den ska inte användas i kallare eller i uppvärmda sommarstugor under höst och vinter.
- Produkten får inte ställs upp, flyttas eller bäras i dörrens handtag eller dras i kondensorn på produktens baksida. Rör heller inte vid inte kompressorenheten.
- Dra ut kontakten ur eluttaget innan produkten ska rengöras, underhållas och repareras. Dra inte ut kontakten i sladden, utan håll i själva kontakten.
- Om du hör knakande ljud från produkten beror de på att komponenterna utvidgas och dras samman på grund av temperaturvariationer.
- Av säkerhetsskäl ska du aldrig själv reparera produkten. Om personer med otillräckliga kunskaper reparerar produkten kan det orsaka allvarliga faror för de som använder produkten.
- Var aktsam om kylsystemet så att det inte skadas genom att du punkterar köldmedlets rör i förångaren eller bryter av rören. Kylmedel än antänd-

ligt. Spola ögonen rikligt med vatten och uppsök därefter omedelbart läkarvård om du har fått kylmedel i ögonen.

- Viktigt! Om elsladden är skadad måste den bytas av tillverkaren, av tillverkarens serviceavdelning eller av behörig elektriker.
- Produkten ska vara helt avskiljd från all strömtillförsel (dra ut kontakten ur eluttaget) om du utför arbete på den, exempelvis rengöring, underhåll eller om den ska flyttas.
- Produkten får användas av barn över 8 år och av personer med fysiska, sensoriska eller psykiska funktionshinder, eller med bristande erfarenhet av och kunskap om produkten, om de står under uppsikt eller har blivit instruerade om hur den används på ett säkert sätt och om de känner till hur faror undviks. Barn får inte leka med produkten. Produkten får rengöras och underhållas av barn som är 8 år eller äldre samt står under uppsikt av en kompetent vuxen.
- Produkten får inte rengöras med ånga.
- Produkten och dess elsladd ska förvaras oåtkomliga för barn under 8 år.
- Doppa inte elsladden eller elkontakten i vatten.
- Elsladden får inte komma i kontakt med heta ytor.
- Låt inte elsladden hänga över kanten på ett bord eller skåp.
- Använd inte produkter som drivs med el inne i kylen.
- Använd inte verktyg för att snabba på avfrostningen.
- Ventilationsöppningarna ska rengöras regelbundet (om produkten byggts in i andra enheter eller har installerats under köksbänken).
- Produkten är inte konstruerad för att styras med en elektronisk timer eller för apparater som stänger av strömmen direkt eller med fjärrstyrning.
- Dra genast ut kontakten ur eluttaget om du råkar spillä vätska på elektriska komponenter.

- Se till att elsladden inte kläms eller skadas under installationen.
- Inaktivera produkten innan du kasserar den. Dra ut kontakten ur eluttaget och skär av elsladden. Ta bort dörrar, gångjärn och lås så att barn och djur inte kan fastna inne i produkten.
- Observera: Kylskåpet saknar frysfack (❄️❄️❄️), det är inte avsett för att frysa livsmedel.
- I enlighet med kommissionens förordning (EU) 2019/2019 är den kortaste tillgänglighetsperioden för reservdelar som krävs för att reparera produkten 7 eller 10 år, beroende på reservdelens typ och syfte.
- Reservdelslistan och information om hur du beställer dem finns på tillverkarnas, importörens eller de auktoriserade representanternas webbplatser.

INSTALLATION OCH FÖRUTSÄTTNINGAR FÖR ANVÄNDNING

- Anslut produkten till elnätet 24 timmar efter att den har packats upp och ställts på sin slutgiltiga plats.
- Ta ut produkten ur förpackningen och ta bort skyddstejpen från dörren och tillbehören. Eventuella limrester kan tvättas bort med ett mildt diskmedel.
- Tvätta av vinkylens inre samt tillbehören med diskmedel och ljummet vatten och torka den med en torr duk.
- Ställ vinkylen i skugga på ett jämnt, plant och stadigt underlag i ett torrt, ventilerat utrymme och på avstånd från värmekällor som ugn, spis, värmeelement värmeledningsrör, varmvatteninstallationer o.s.v.
- Produktens utsida kan vara skyddad med skyddsfolie som ska tas bort.
- Försäkra dig om att produkten står vågrätt genom att skruva fast de 2 justerbara fötterna längst fram (fig. 1).
- Lämna ett fritt utrymme på sidorna och bakom produkten (se installationsritningen).
- Försäkra dig om att ventilationsgallret i produktens botten inte blockeras om du installerar vinkylen i ett skåp.
- Första gången du startar din produkt kan lukt frigöras från den. Den försvinner när produktens insida har kylts ner.
- Första gången du startar din vinkylare kommer kompressorn att vara igång hela tiden tills den kyls ner till önskad temperatur.

- När du drar ut produktens elkontakt rekommenderas att du väntar minst 5 minuter innan du sätter in den igen. Det minskar risken för att kompressorn ska skadas.
- På vissa modeller visas korrekt temperatur på displayen redan några få timmar efter att vinkylaren har startats.
- Produkten ska anslutas till ett AC 220–240 V 50 Hz eluttag. Uttaget måste vara ordentligt monterat, vara jordat och ha en 10 A säkring.
- Det är fastställt i lag att produkten måste ha korrekt jordning. Tillverkaren övertar inget ansvar för person eller saksador som kan uppstå om så inte är fallet.
- Använd inte adaptrar, grenuttag eller tvåtrådiga förlängningssladdar. Om du måste använda en förlängningssladd ska den ha en skyddsring, bara ett uttag samt vara VDE/GS-certifierad.
- Om du använder en förlängningssladd (med skyddsring och säkerhetscertifikat) måste uttaget vara på säkert avstånd från vaskar och får inte placeras på ställen där det kan rinna vatten eller avloppsvatten på det.
- Säkerställ att det går lätt att avskilja produkten från strömmen, antingen genom att dra ut kontakten ur eluttaget eller genom att stänga av den tvåpoliga brytaren.

Tillåtet temperaturområde

Information om tillåtet temperaturområde finns på märkskylten. Det anger vid vilken rumstemperatur (d.v.s. temperaturen i det utrymme, där produkten står) produkten fungerar optimalt (korrekt).

Klimatklass:	Tillåten omgivningstemperatur	
SN	Utökad temperaturområde	Kylskåpet är avsett för omgivningstemperaturer mellan 10 och 32 °C
N	Temperaturområde	Kylskåpet är avsett för omgivningstemperaturer mellan 16 och 32 °C
ST	Subtropiskt	Kylskåpet är avsett för omgivningstemperaturer mellan 16 och 38 °C
T	Tropiskt	Kylskåpet är avsett för omgivningstemperaturer mellan 16 och 43 °C

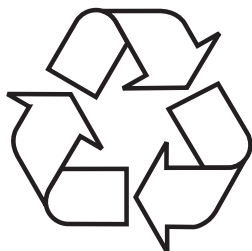
PRAKTISKA TIPS I VARDAGEN

- Tänk på att temperaturen kommer att stiga om du lämnar lampan i kylan tänd.
- Vinkylens temperatur beror på hur många och vilken typ av vinflaskor som förvaras i den.
- För att du ska kunna använda produkten utan fara och för att bibehålla vinets kvalitet ska du inte installera produkten i fuktiga utrymmen.
- Vinflaskorna ska förvaras i flaskställen.
- Vinkylens kapacitet är begränsad. Förvara inte fler flaskor i vinkylan än det antal som anges i specifikationen.

- Öppna inte vinkylan i onödan.
- Täck inte hyllorna med aluminiumfolie eller andra material. Det hindrar luftcirkulationen inne i vinkylan.
- Se till att dörren är helt öppen innan du drar ut hyllan, i annat fall kan dörrtätningen skadas. Hyllorna ska skjutas in så långt det går annars kan dörrtätningen deformeras eller skadas.
- Dra inte ut hyllor med flaskor utanför förlängningsgränsen (cirka 1/3 av hyllans längd).
- Produkten är konstruerad för att förvara vin. Den är inte avsedd för annan användning.
- Det är mycket viktigt att hålla en konstant temperatur under vinets förvaring.
- Om vinkylan utsätts för solljus, stora temperaturvariationer, hög fuktighet och vibrationer kan vinet bli dåligt.
- Om det råder hög fuktighet kan kondenserad vattenånga bildas på glasdörrens utsida. Förhindra detta genom att installera produkten i ett torrt, väl ventilerat utrymme.
- Vissa modeller har ett separat handtag. Du måste montera detta handtag själv. Använd inte eldriva verktyg när du monterar handtaget (fig. 3*).
- Produktens maxkapacitet anges i produktbladet som medföljer produkten. Denna kapacitet gäller standard 0,75 liters Bordeaux-flaskor.
- Vissa modeller har ett vältskydd. Det monteras enligt den bifogade ritningen (fig. 6*).
- Det här kylskåpet är avsett för inbyggnad.
- Placera livsmedlen enligt illustrationen i fig. 12 för att livsmedlen ska hålla så länge som möjligt i kylskåpet och för att förhindra att matsvinn. Bilden visar även hur lådor, korgar och hyllor är placerade för att optimera energiförbrukningen.
- Optimala temperatur- och lagringsförhållanden förlänger produktens hållbarhet och sänker elförbrukningen. Optimal förvaringstemperatur anges på livsmedlens förpackningar.

*I enlighet med utförandet

UPPACKNING



Produkten har en emballerats i en skyddsförpackning så att den inte skadas under transporten. När du har packat upp produkten ska du avfallshandera allt förpackningsmaterial på ett miljösäkert sätt.

Allt använt förpackningsmaterial är miljövänligt. Det är 100 % återvinningsbart och märkt med en symbol som anger detta.

Viktigt! Låt inte barn leka med förpackningsmaterial (påsar, polyetylen, polystyren etc.) när du packar upp produkten.

SKROTA PRODUKTEN



Produkten är i enlighet med det europeiska direktivet 2012/19/EG. Märkningen betyder att produkten inte får slängas i hushållssoporna när den är uttjänt.

Det är köparens ansvar att lämna in den på ett deponeringsställe för elektriskt och elektroniskt skrot. Information om återvinning kan du få från lokala deponeringsställen, i butiker samt från lokala myndigheter. En korrekt hantering av elektriskt och elektroniskt skrot hjälper till att undvika miljö- och hälsorisker som orsakas av farliga komponenter och av en felaktig förvaring och hantering av dessa.

REGLAGE

Produktens reglage – en och två zoner

Kontrollpanelen finns avbildad i fig. 4. Den visas även nedan:


En zon





Två zoner



 – Strömknapp

 – Belysningsknapp

 – "+"-knapp

 – "-"-knapp

Sätta på/stänga av strömmen

Tryck på strömknappen och håll den intryckt i en sekund för att starta vinkylén.

Tryck på strömknappen och håll den intryckt i fem sekunder för att stänga av vinkylén.

Ändra temperatur

- Tryck på knappen "+" eller "- " tills önskad temperatur visas på displayen.
- Temperaturen är förinställd på 12°C/54°F.
- Om du vill ändra temperaturvisningen från Fahrenheit till Celsius, eller tvärt om, trycker du på belysningsknappen och håller den intryckt i fem sekunder.
- Om du vill se den inställda temperaturen kan du när som helst trycka på någon av knapparna "+" eller "- ", den inställda temperaturen blinkar på LED-displayen i fem sekunder.
- Displayen visar den aktuella innertemperaturen när vinkylén är igång.

Observera: Den lägre zonen s temperatur måste ställas in på samma eller högre temperatur som i den högre zonen. För bästa prestanda bör temperaturskillnaden mellan zonerna vara minst 4°C.

Optimal temperaturinställning

Vin förvaras bäst i temperaturer mellan 13 och 15°C, med du kan även förvara vinet i drickstemperatur. Drickstemperaturen för rött vin är mellan 15 och 17°C, för vitt vin mellan 12 och 13°C.

Använda belysningen

Tryck på belysningsknappen för att tända och släcka belysningen.

Fukthalt i vinkylan

Beroende av vald modell är vinkylarna utrustade med en humidor för att bibehålla optimal luftfuktighet i vinkyleg. Fyll ca 3/4 av humidorens behållare med vatten. Placera behållaren på den översta hyllans skenor, så som visas i fig. 2. Säkerställ att den står korrekt så att vattnet inte spills ut. Kontrollera vattennivån regelbundet och fyll på vatten när det behövs.

Temperaturdisplay

Temperaturdisplayen visar den aktuella temperaturen inne i vinkylan. Temperaturen blinkar:

- När en ny temperatur ställs in.
- När den invändiga temperaturen avviker från den inställda med +/- 5.

Det fungerar som en varning för att förhindra att produktens innehåll skadas vid en ev. för hög temperatur.

Tyst läge

När den önskade temperaturen har stängs fläkten av. Vinkylan är fabriksinställd för att vara igång i tyst läge. Om du vill byta till dynamiskt läge trycker du på "-"-knappen i cirka fem sekunder (vänstra "-"-knappen på vinkylar med 2 zoner). Vinkylan piper fem gånger för att bekräfta att dynamisk kylning är igång.

Dynamisk kylning

Fläkten går igång med jämna mellanrum för att cirkulera luften även när den önskade temperaturen har uppnåtts. Detta garanterar jämn luftfuktighet och temperaturfördelning i vinkylan, vilket skapar perfekta förhållanden för långvarig lagring.

När den dynamiska kylningen är inställd låter vinkylan mer när den är igång.

Om du vill byta till tyst läge trycker du på "+"-knappen i cirka fem sekunder (vänstra "+"-knappen på vinkylar med 2 zoner). Vinkylan piper tre gånger för att bekräfta att tyst läge är igång.

Helgläge

Detta stänger av displayerna, innerbelysningen och akustiska larm. Kylningen fortsätter vara igång.

Byt till helgläge genom att trycka på ström- och belysningsknapparna samtidigt och hålla dem intryckta i fem sekunder. Indikeringslampan blinkar fyra gånger för att bekräfta att läget är igång. Läget stängs av automatiskt efter 48 timmar, helst stänga av läget genom att trycka på ström- och belysningsknapparna samtidigt och hålla dem intryckta i fem sekunder.

Temperaturlarm

Om temperaturen stiger över eller sjunker under den inställda hörs ett larm och displayen börjar blinka. Det kan bero på att:

- Vin kylan ännu inte nått den inställda temperaturen (första gången den startas).
- Det har varit ett strömavbrott.
- Vinkylan har fyllts med för många flaskor.
- Dörren är inte stängd ordentligt.

UNDERHÅLL OCH RENGÖRING

Produkten ska alltid skiljas från elnätet innan den rengörs och underhålls.

Ta ut hyllorna

- För att ta bort en hylla ur vinkylen tar du först bort alla flaskor från hyllan och drar sedan hyllan framåt tills spåret på vardera sidan av hyllan är i nivå med plastpinnen på vardera sidan av skåpet (se fig 5). Lyft sedan upp hyllan och dra den framåt.
- Sätt in hyllor på samma sätt som du tar ut den, fast i omvänd ordning.

Rengöring:

- Använd inte slipande produkter eller diskmedel. Skölj och torka noga när du har tvättat produkten.
- Produktens utsida och dörrtätning ska tvättas med vatten och ett mildt diskmedel och sedan torkas noga.
- Insidan ska tvättas med en lösning bestående av bikarbonat och ljummet vatten.
- Diska varje hylla separat för hand med vatten och diskmedel. Diska dem inte i diskmaskinen.
- Se till att duken endast är fuktig när du rengör kontrollpanelen och elektriska delar, och att allt vatten torkas av noga innan du ansluter strömmen igen.
- Anslut produkten till elnätet när rengöringen är klar.
- Dra ut elkontakten och rengör produkten noga om den inte ska användas en längre tid. Lämna dörren öppen på glänt för att förhindra dålig lukt och kondensbildning.

FELSÖKNING

Om problem uppstår bör du se efter i felsökningslistan innan du ringer vår service för att slippa onödiga telefonsamtal och eventuella kostnader.

Om produkten inte fungerar, kontrollera att

- Produkten är ansluten till elnätet.
- Bostaden säkringar och strömbrytare är intakta och säkringen inte har gått.
- Eluttaget fungerar korrekt. Kontrollera att eluttaget fungerar genom att ansluta en annan elektrisk apparat i det.
- Rumstemperaturen är mellan 16°C och 32°C.

Produkten fungerar, men inte så bra. Kontrollera att

- Produkten inte är överbelastad.
- Termostaten är inställd på en lämplig temperatur.
- Dörren stängs ordentligt.
- Dörrtätningen tätar ordentligt.
- Produkten ventileras tillräckligt på sidorna och baksidan.
- Rumstemperaturen är mellan 16°C och 32°C.

Produkten låter mycket, kontrollera att

- Produkten står plant och stabilt.
- Kylgasen låter något, även när kompressorn inte är igång.
- Det är normalt att fläkten är igång, även när kompressorn inte är det.

Belysningen fungerar inte, kontrollera att

- Produkten är ansluten till elnätet.
- Bostaden säkringar och strömbrytare är intakta och säkringen inte har gått.
- Belysningsknappen inte står på från.

Observera:

Du kan inte byta LED-belysningen själv, utan att ringa service.

Dörren stängs inte ordentligt, kontrollera att

- Produkten står plant och stabilt.
- Att dörren har monterats korrekt om den ev. har demonterats.
- Dörrtätningen är ren.
- Hyllorna är rätt placerade.

Displayen visar "E1" eller "E2"

- Temperatursensorn är sönder. Kontakta service.

EPREL

Mer information om produkten finns i databasen EU EPREL på adressen <https://eprel.ec.europa.eu>. Om du vill ha mer information kan du skanna energietikettens QR-kod med din mobiltelefon, eller skriva in produktmodellen som anges på energietiketten i EPREL-sökmotorn på <https://eprel.ec.europa.eu/>

GARANTI OCH SERVICE

Garanti

Garantin gäller enligt informationen på garantibeviset. Tillverkaren ansvarar inte för någon skada som orsakas av att produkten har använts på ett felaktigt sätt.

Service

- Tillverkaren rekommenderar att alla reparationer utförs av tillverkarens servicetekniker eller av serviceverkstäder som har auktoriserats av tillverkaren. Reparationer ska av säkerhetsskäl alltid utföras av proffs.
- Produktens användare kan utsättas för fara om produkten repareras av okvalificerade personer.
- Kylskåpets kortaste garantiperiod som erbjuds av tillverkaren, importören eller auktoriserad representant anges på garantikortet.
- Garantin upphör att gälla om du gör egenmäktiga anpassningar eller ändringar, manipulerar tätningar eller produktens övriga säkerhetsanordningar eller använder produkten i strid mot bruksanvisningen.

Begär hjälp eller reparation vid fel på produkten


Vänligen kontakta service om din produkt måste repareras. Kontaktinformation för din service står på garantikortet. Innan du kontaktar oss ber vi dig ha produktens serienummer till hands. Serienumret står på identifieringsetiketten: Anteckna serienumret nedan:

--	--	--	--	--	--	--	--	--	--	--	--	--	--	--	--	--	--	--	--

Försäkran om överensstämmelse

Tillverkaren förklarar härmed att denna produkt uppfyller kraven i följande europeiska direktiv:

- **Lågspänningsdirektivet 2014/35/EG**
- **EMC-direktivet 2014/30/EG**
- **ErP-direktivet 2009/125/EG**
- **RoHS-direktivet 2011/65/EG**

och har därmed märkts med  symbolen samt erhållit en försäkran om överensstämmelse som finns tillgänglig för marknadsreglerande organ.

Kjære kunde!

Apparatet er utrolig enkelt å bruke og ekstremt effektivt. Før pakking og forsendelse fra produsenten, ble apparatet nøye kontrollert med tanke på sikkerhet og funksjonalitet.

Før apparatet tas i bruk, må du lese denne bruksanvisningen nøye


GRAM

RETNINGSLINJER FOR TRYGG BRUK

- Produktet er kun beregnet for bruk i hjemmet.
- Produsenten forbeholder seg retten til å innføre endringer som ikke påvirker bruken av apparatet.
- Produsenten skal ikke holdes ansvarlig for skade som følge av manglende overholdelse av instruksjonene i denne bruksanvisningen.
- Oppbevar denne bruksanvisningen for fremtidig bruk eller å gi den til neste bruker.
- Dette apparatet er ikke beregnet for bruk av personer (inkludert barn) med begrensede fysiske eller mentale evner eller personer som mangler erfaring eller kjennskap til apparatet.
- Ikke la små barn bruk apparatet. Ikke la dem leke med apparatet. De må ikke klatre i skuffene eller svinge døren.
- Apparatet fungerer på riktig måte i omgivelsestemperatur (se typeskilt). Ikke bruk apparatet i kjeller eller i uoppvarmet hytte om høsten og vinteren.
- Ikke hold i dørhåndtaket, ikke trekk i kondensatoren bak på kjøleskapet og ikke rør ikke kompressorenheten når du beveger, flytter eller løfter apparatet.
- Trekk støpselet ut av kontakten før det gjennomføres vedlikehold. Trekk i støpselet, ikke i kablet.
- Den "knakende" lyden som apparatet kan avgi kommer av utvidelse og sammentrekning av deler som skyldes temperaturvariasjoner.
- Av sikkerhetsgrunner må du ikke prøve å reparere apparatet selv. Reparasjoner utført av personer som ikke har de nødvendige kvalifikasjoner kan føre til alvorlig fare for den som bruker apparatet.
- Pass på at du ikke skader kjølesystemet ved å punktere kjølemedierørene i fordampere eller

brekke rørene. Kjølemiddelet er brannfarlig. Dersom kjølemiddelet kommer i kontakt med øynene dine, må du skylle godt med rent vann og ringe lege umiddelbart.

- Viktig! Dersom strømleningen er skadet, må den byttes ut av produsenten eller fagmann for å unngå fare.
- Når du utfører aktiviteter som rengjøring og vedlikehold eller flytter apparatet, må du først trekke ut støpselet fra kontakten
- Dette apparatet kan brukes av barn i alderen 8 år og eldre eller personer med fysiske, psykiske eller sensoriske handikap eller av personer som er uerfarne eller ukjente med apparatet, forutsatt av at de overvåkes eller har fått beskjed om hvordan de trygt kan bruke apparatet og forstår den risikoen som er forbundet med bruk av apparatet. Sørg for at barn ikke leker med apparatet. Rengjøring og vedlikehold av apparatet bør ikke utføres av barn med mindre de er 8 år eller eldre og er under tilsyn av en kompetent person.
- Ikke rengjør apparatet med damp
- Oppbevar apparatet og strømkabelen utilgjengelig for barn under 8 år.
- Ikke la kabelen eller støpselet komme i kontakt med vann.
- Hold kabelen unna varme overflater.
- Ikke la kabelen henge ned fra en benk eller et bord.
- Ikke bruk elektriske apparater inne i kammeret
- Ikke bruk verktøy for å påskynde avtiningen
- Rengjør ventilasjonsåpningene regelmessig (gjelder innebygde apparater eller de som er installert under benkeplaten)
- Dette apparatet kan ikke kontrolleres av elektroniske tidtakere eller andre enheter som kutter strømmen direkte eller øksternt.
- I tilfelle søl av væsker på elektriske komponenter, må du øyeblikkelig koble apparatet fra strømforsyningen.

- Kontroller at strømledningen ikke klemmes eller skades under installasjonen.
- Deaktiver apparatet før det kastes. Koble apparatet fra strømforsyningen og kutt av strømledningen. Fjern dører, hengsler og låser for å forhindre at barn eller dyr blir stengt inne i apparatet.
- Merk: Hvis kjøleskapet ikke har en frysebok , er det ikke egnet til å fryse matvarer.
- I henhold til kommisjonsforordning (EU) 2019/2019 er minimum tilgjengelighetsperioden for reservedeler som er nødvendig for å reparere apparatet 7 eller 10 år, avhengig av type og formål for reservedelen.
- Listen over reservedeler og bestillingsprosedyrer er tilgjengelig på nettsiden til produsenten, importøren eller en autorisert representant.

INSTALLERING OG BRUK AV APPARATET

- Koble apparatet til strømforsyningen 24 timer etter utpakking og plassering på det stedet det skal brukes.
- Ta produktet ut av emballasjen, fjern tapen som beskytter døren og utstyret. Eventuelle teiprester kan fjernes med et mildt vaskemiddel.
- Rengjør de indre overflatene og elementene i med et vaskemiddel oppløst i lunkent vann, og tørk alle delene godt.
- Plasser apparatet på et jevnt, flatt og stabilt underlag og i et tørt, luftig og skyggelagt rom, langt fra varmekilder som: stekeovn, komfyr, radiatorer for sentralvarme, sentralvarmerør, varmtvannstank, osv.
- Utenpå apparatet kan det sitte en beskyttelsesfolie, og denne folien skal fjernes.
- Sørg for at apparatet står i horisontal posisjon ved å skru på de to justerbare bena (fig. 1)
- Sørg for god plass på sidene og bak apparatet (se installasjonstegning)
- Hvis du installerer apparatet i et møbelskap, må du sørge for at ventilasjonsgitteret som ligger i bunnen av apparatet ikke er blokkert.
- Det kan frigjøres lukt første gang du starter apparatet. Den vil forsvinne når apparatets indre rom er avkjølt
- Når du starter apparatet for første gang, vil kompressoren gå kontinuerlig til ønsket temperatur er nådd inne i kammeret
- Når du kobler apparatet fra strømforsyningen, anbefales det å vente i fem minutter før du kobler det til igjen. Dette reduserer risikoen for skade på kompressoren.
- På utvalgte modeller vises riktig temperatur på displayet først noen timer etter at apparatet er tatt i bruk

- Dette apparatet skal kobles til en stikkontakt med 220-240 V AC 50Hz. Stikkontakten må være festet godt og må være utstyrt med jordingsledning og en 10A sikring.
- Det er et juridisk krav at apparatet skal være jordet. Produsenten kan ikke holdes ansvarlig for eventuelle skader som skyldes manglende jording.
- Ikke bruk skjøteledninger, adaptere eller lignende. Dersom det er nødvendig å bruke skjøteledning, må den være utstyrt med en beskyttelsesring og en enkelt kontakt samt ha VDE/GS-sikkerhets sertifikat.
- Dersom det brukes skjøteledning (med beskyttelsesring og sikkerhets sertifikat), må kontakten være plassert i trygg avstand fra vasker og ikke på et sted der den kan bli oversvømmet av vann eller avløpsvann.
- Sørg for at kjøkkenviften lett kan kobles fra strømuttaket, enten ved å trekk ut ledningen fra veggkontakten, eller ved å slå av den topolete bryteren.

Klimaområde

Informasjonen om klimaområdet til apparatet angis på typeplaten. Det angir hvilken omgivelsestemperatur (dvs. romtemperatur som apparatet kan brukes i) som er optimal (riktig).

Klimaklasse		Tillatt omgivelsestemperatur
SN	Utvidet temperatur	Dette kjøleskapet er beregnet på bruk ved en omgivelsestemperatur mellom 10 °C og 32 °C
N	Temperatur	Dette kjøleskapet er beregnet på bruk ved en omgivelsestemperatur mellom 16 °C og 32 °C
ST	Subtropisk	Dette kjøleskapet er beregnet på bruk ved en omgivelsestemperatur mellom 16 °C og 38 °C
T	Tropisk	Dette kjøleskapet er beregnet på bruk ved en omgivelsestemperatur mellom 16 °C og 43 °C

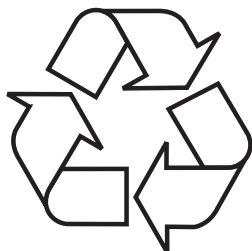
PRAKTISKE HVERDAGSTIPS

- Hvis lyset inne i apparatet står på kontinuerlig, må du huske at temperaturen inne i apparatet vil være høyere
- Temperaturen inne i apparatet avhenger av mengde og type lagrede vinflasker
- For å sikre brukernes sikkerhet og høy kvalitet på lagret vin, bør du ikke installere apparatet i fuktige rom
- Plasser vinflaskene på de angitte stedene
- Vinskapet har begrenset kapasitet. Ikke plasser flere flasker i vinskapet enn det som er anbefalt i spesifikasjonen
- Unngå å åpne døra hvis det ikke er nødvendig
- Ikke dekk hyllene med aluminiumsfolie eller annet materiale. Dette blokkerer luftsirkulasjonen i apparatet

- For å unngå skade på dørpakningen, må du sørge for at døren er helt åpen før du trekker ut hylla. Hyllene skal settes så langt inn som mulig, ellers kan de deformeres og skade dørpakningen.
- Ikke forlen 1/3 av hyllelengden).
- Dette apparatet er beregnet på oppbevaring av vinflasker. Det bør ikke brukes til andre ting.
- Stabil temperatur er svært viktig når vin skal lagres.
- Hvis du utsetter vinskabet for sollys, betydelige temperatursvingninger, høy luftfuktighet eller vibrasjoner kan føre til at vinen blir dårlig.
- I perioder med høy luftfuktighet kan kondensert vandamp vises på de ytre overflatene av glassdøren. For å forhindre dette, skal apparatet installeres i et tørt, tilstrekkelig ventilert rom.
- Noen modeller har et ytre håndtak. Dette må du montere selv. Ikke bruk elektriske verktøy for å gjøre det (fig. 3*).
- Apparatets maksimale kapasitet er angitt på produktarket som følger med vinskabet. Denne kapasiteten gjelder standard 0,75 liters flasker med Bordeaux-vin.
- Noen modeller har et anti-tip kit. Installer det i henhold til det vedlagte diagrammet (fig. 6*).
- Dette kjøleskapet er beregnet på innbygging.
- For å oppnå den mest effektive oppbevaringen av mat over lengst mulig tid, og for å unngå å kaste mat, plasser produktene som vist i figur 12. I tillegg viser denne figuren utforming av skuffer, kurver og hyller, noe som legger til rette for en mest mulig effektiv bruk av energi.
- Optimal temperatur og lagringsforhold utvidere produktenes holdbarhet og reduserer energiforbruket. Du finner optimal lagringstemperatur på produktemballasjen.

*I henhold til modell

UTPAKKING



Under transport er produktet emballert mot eventuelle skader. Etter utpakkingen må du ayhende alle emballasjeelementer på en måte som ikke skader miljøet.

Alle apparatets emballasjematerialer er miljøvennlige, 100 % resirkulerbare og merket med relevant symbol.

Viktig! Emballasje (poser, polyetylen, isopor, osv.) bør holdes unna barn under utpakking.

AVHENDING AV GAMMELT APPARAT



I samsvar med EU-direktiv 2012/19/EF. Merkingen betyr at apparatet ikke må kastes sammen med annet husholdningsavfall etter at det har blitt brukt.

Brukeren er forpliktet til å overlate det til innsamlingscenteret som samler inn brukte elektriske og elektroniske varer.

Innsamlingsssentrene, inkludert lokale innsamlingspunkter, butikker og kommunale avdelinger, utarbeider returordninger.

Riktig håndtering av brukte elektriske og elektroniske varer bidrar til å unngå miljø- og helsefarer som følge av farlige komponenter og upassende lagring og behandling av varene.

KONTROLLER

Apparatkontroller – enkel- og dobbeltsone





Kontrollpanelet vises i figur 4. For referanse vises det også nedenfor:

Enkel sone



Dobbel sone



-  – På-knapp
-  – Lysknapp
-  – "+" knapp
-  – "-" knapp

For å slå strømmen på/av

Hold på/av-knappen inne i ett sekund for å slå på vinskabet.
Hold på/av-knappen inne i ett sekund for å slå på vinskabet.

For å endre temperaturen

- Trykk på "+" eller "-" knappene inntil ønsket temperatur vises på displayet.
- Den forhåndsinnstilte temperaturen er 12 °C / 54 °F.
- Hvis du vil endre temperaturdisplayet fra Fahrenheit til Celsius, eller Celsius til Fahrenheit, trykker du på og holder inne lysknappen i fem sekunder.
- For å se den innstilte temperaturen, trykker du på "+" eller "-" -knappen. Da vil den innstilte temperaturen blinke i LED-displayet i fem sekunder.
- Displayet viser gjeldende temperatur inni vinkjøleren.

Merk: Temperaturen i den laveste sonen må settes enten på samme eller høyere nivå enn temperaturen i den øverste sonen. For optimal ytelse, bør temperaturen i de to sonene ha en forskjell på minst 4 °C.

Velg optimal temperatur

Vin lagres best ved temperaturer mellom 13 og 15 °C, men vinen kan også lagres ved drikketemperatur. For rødvin er dette mellom 15 og 17 °C, og for hvitvin mellom 12 og 13 °C.

Bruk av innvendig lys

Trykk på lysknappen for å slå lyset på og av.

Innvendig luftfuktighet

Avhengig av modell er vinskabet utstyrt med et fuktsystem som opprettholde optimal fuktighet i vinskabet. Fyll vannbeholderen $\frac{3}{4}$ full med vann. Plasser beholderen på skinnene på den øverste hulla som vist i fig. 2. Kontroller at den plasseres riktig for å unngå vannsøl. Kontroller vannivået regelmessig, og etterfyll ved behov.

Temperaturdisplay

Temperaturdisplayet viser den aktuelle temperaturen i skabet.

Displayet blinker:

- Når det stilles inn en ny temperatur
- Hvis den innvendige temperaturen avviker +/- 5° fra den innstilte temperaturen.

Dette fungerer som en advarsel for å forhindre skade på apparatets innhold dersom temperaturen er for høy.

Stillemodus

Så snart den ønskede temperaturen er nådd, vil apparatet kjøre uten vifte. Vinkjøleren er fabrikkinnstilt i stille modus. For å bytte til dynamisk avkjølingsmodus, trykk og hold "-" -knappen inne i omtrent fem sekunder (venstre "-" -knapp på vinskab med to soner). Vinskabet piper fem ganger for å bekrefte at dynamisk kjøling er på.

Dynamisk kjølemodus

Viften kjører i sykluser for å sirkulere luften selv etter at den ønskede temperaturen er nådd. Dette sikrer jevn fuktighet og temperaturfordeling i vinskabet og skaper perfekte forhold for langvarig lagring.

Bruk av dynamisk modus øker lydnivået i drift.

For å bytte til lydløst modus, trykk og hold "+" -knappen inne i omtrent fem sekunder (venstre "+" -knapp på skap med to soner). Vinskabet piper tre ganger for å bekrefte at stillemodus er aktivert.

Helgemodus

Dette vil slå av skjermene, interiørlyset og hørbare alarmer. Kjøleprosessen fortsetter.

For å slå på helgemodus, trykk og hold strøm- og lystastene samtidig i fem sekunder. Indikatorlyset blinker fire ganger for å bekrefte valgt modus. Moduset slås av automatisk etter 48 timer, men for å slå av moduset når som helst kan du trykke og holde inne strøm- og lystastene samtidig i fem sekunder.

Temperaturalarm

Hvis temperaturen stiger eller faller utenfor det innstilte temperaturområdet, vil du høre en alarm, og displayet vil blinke. Dette kan skyldes:

- Vinskabet har ikke nådd den innstilte temperaturen ennå (når det slås på for første gang).
- Det har vært strømbrudd.
- Vinskabet er overbelastet.
- Døren er ikke ordentlig lukket.

VEDLIKEHOLD OG RENGJØRING

Du må alltid koble apparatet fra strømmettet før rengjøring eller vedlikehold.

Ta ut hyllene

- For å fjerne en hylle fra vinskabet, må du først fjerne alle flaskene fra hylla og deretter trekke den fremover inntil sporet på hver side av hylla er i vater med plaststiften på hver side av skabet (som vist på fig. 5). Deretter løfter du hylla opp og trekker den fremover.
- Følg trinnene ovenfor i omvendt rekkefølge for å sette inn en hylle.

Rengjøring

- Ikke bruk skureprodukter eller harde vaskemidler. Etter vask, må du skylle og tørke grundig.
- Apparats utside og dørpakningen skal rengjøres med mildt såpevann og tørkes grundig.
- Innvendig skal skabet rengjøres ved hjelp av en løsning av bakepulver og lunkent vann.
- Rengjør hyllene separat for hånd med såpe og vann. Ikke vaske hyllene i oppvaskmaskin.
- Kontroller at kluten bare er litt fuktig når du rengjør kontrollpanelet og elektriske deler, og at alt vann er tørket grundig av før du kobler til strømmen igjen.
- Når rengjøringen er fullført, må du koble apparatet til strømmettet igjen.
- Hvis apparatet ikke skal brukes over lengre tid, må du koble det fra strømmen og rengjøre det grundig. Døra bør stå litt åpen for å hindre luktdannelse og kondens.

FEILSØKING

Hvis du har problemer med apparatet, bør du sjekke feilsøkningsveiledningen før du ringer kundeservice for å forhindre unødvendige serviceanrop og potensielle kostnader.

Hvis apparatet ikke virker, kontroller følgende

- At apparatet er koblet til strøm
- At ingen sikringer har gått
- At støpsel og kontakt fungerer som det skal. For å sjekke dette, kan du koble til et annet elektrisk apparat for å se om stikkontakten fungerer.
- Omgivelsestemperaturen ligger på mellom 16 °C og 32 °C.

Apparatet virker, men ikke helt som det skal, kontroller følgende

- At apparatet ikke er overbelastet.
- At termostaten er satt på riktig temperatur.
- At døra er godt lukket.
- At dørpakningen lukker godt.
- Det er tilstrekkelig ventilasjon bak og på sidene.
- Omgivelsestemperaturen ligger på mellom 16 °C og 32 °C.

Apparatet bråker, sjekk følgende

- Apparatet står jevnt og stabilt.
- Kjølegassen vil avgi litt støy, selv når kompressoren ikke er i gang.
- Under drift er det normalt at viften går, selv når kompressoren ikke er i gang.

Lyset virker ikke, sjekk følgende

- At apparatet er koblet til strøm.
- At ingen sikringer har gått.
- Lyset er slått av.

Merk:

LED-pæra må skiftes av fagmann

Døra lukker seg ikke ordentlig, sjekk følgende

- Apparatet står jevnt og stabilt.
- Hvis døra har blitt fjernet, og den er kanskje ikke blitt montert riktig.
- Dørpakningen er møkkete.
- Hyllene sitter ikke riktig.

Displayet viser "E1" eller "E2"

- Temperatursensoren fungerer ikke. Kontakt kundeservice

EPREL

For ytterligere informasjon om produktet, se EUs EPEL produktdatabase på <https://eprel.ec.europa.eu>. For ytterligere informasjon, kan du bruke mobilen din til å skanne QR-koden på energimerket eller angi produktmodellen som står på energimerket i EPRELs søkemotor <https://eprel.ec.europa.eu/>

Hyvä asiakas!

Laitteesi on poikkeuksellisen helppo käyttää ja hyvin tehokas. Valmistaja on testannut laitteen turvallisuuden ja toiminnan perusteellisesti ennen sen pakkaamista ja lähettämistä.

Lue nämä käyttöohjeet huolellisesti ennen laitteen käyttöä.

GRAM

TURVALLISTA KÄYTTÖÄ KOSKEVIA OHJEITA

- Laite on tarkoitettu vain talouskäyttöön.
- Valmistaja varaa itselleen oikeuden tehdä muutoksia, jotka eivät vaikuta laitteen käyttöön.
- Valmistaja ei vastaa vahingosta, joka seuraa tämän käyttöoppaan ohjeiden noudattamatta jättämisestä.
- Säilytä tämä käyttöopas myöhempää käyttöä varten tai seuraavalle käyttäjälle annettavaksi.
- Tätä laitetta ei ole tarkoitettu sellaisten henkilöiden käyttöön, joiden fyysiset tai henkiset kyvyt ovat rajalliset (lapset mukaan lukien) tai joilla ei ole kokemusta laitteesta tai jotka eivät tunne sitä.
- Älä anna lasten käyttää laitetta. Älä anna heidän leikkiä laitteella. Lapset eivät saa kiivetä laatikoihin tai roikkua ovissa.
- Laite toimii oikein oikeassa ympäristön lämpötilassa (ks. tuoteseloste). Älä käytä sitä kellarissa eikä lämmittämättömässä kesämökissä syksyllä ja talvella.
- Kun laitetta sijoitetaan, siirretään ja nostetaan, älä pidä kiinni ovien kahvoista, älä vedä jääkaapin takana olevasta lauhduttimesta äläkä kosketa kompressoriyksikköä.
- Irrota pistoke pistorasiasta ennen ylläpitotoimia. Älä vedä johdosta, vaan pidä kiinni pistokkeesta.
- ”Halkeileva” ääni, joka laitteesta voi kuulua osien laajenemisen ja supistumisen takia, johtuu lämpötilavaihteluista.
- Älä korjaa laitetta itse turvallisuussyistä. Laitteen käyttäjä voi joutua vakavaan vaaraan, jos korjauksia tekevällä henkilöllä ei ole vaadittua pätevyyttä.
- Varmista, ettet vaurioita jäädytysjärjestelmää puhkaisemalla haihduttimen jäädytysaineputkia

tai katkaisemalla putkia. Jäähdytysaine on syttyvää. Jos jäähdytysainetta joutuu kosketuksiin silmien kanssa, huuhtelee silmät puhtaalla vedellä ja käänny heti lääkärin puoleen.

- Tärkeää! Jos virtajohto on vaurioitunut, valmistajan, asiantuntijan korjaamon tai pätevän henkilön on vaihdettava se vaaran välttämiseksi.
- Kun teet toimintoja, kuten puhdistusta, ylläpitoa tai siirtoa, laite on irrotettava kokonaan virtalähteestä (irrottamalla pistoke pistorasiasta).
- Laitetta voivat käyttää vähintään 8-vuotiaat lapset tai henkilöt, joiden fyysiset, henkiset tai aisteihin liittyvät kyvyt ovat alentuneet, tai ne, joilla ei ole kokemusta laitteesta tai jotka eivät tunne sitä, mikäli tämä tapahtuu heidän turvallisuudestaan vastaavien henkilöiden valvonnassa tai näiden heille antaman ohjauksen mukaisesti ja mikäli he tuntevat laitteen käyttöön liittyvät riskit. Varmista, etteivät lapset leiki laitteella. Lapset eivät saa tehdä laitteen puhdistusta eikä huoltoa, elleivät he ole vähintään 8 vuotta ja pätevän henkilön valvonnassa.
- Älä puhdistaa laitetta höyryllä.
- Pidä laite ja sen virtajohto poissa alle 8-vuotiaiden lasten ulottuvilta.
- Älä upota virtajohtoa tai pistoketta veteen.
- Pidä johto poissa kuumennetuilta pinnoilta.
- Älä anna liitäntäjohdon roikkua pöydän tai tiskipöydän reunan yli.
- Älä käytä kammion sisällä mitään sähkölaitteita.
- Älä nopeuta sulatusprosessia millään työkaluilla.
- Puhdistaa säännöllisesti ilmanvaihtoaukot (kun kyseessä ovat sisäänrakennetut tai työtason alle asennetut laitteet).
- Tätä laitetta ei ole tarkoitettu elektronisilla ajastimilla tai muilla virran suoraan tai etäohjauksella katkaisevilla laiteilla hallittaviksi.
- Mikäli nesteitä roiskuu vahingossa sähköosien päälle, irrota laite heti virtalähteestä.

- Varmista, että virtajohto ei ole murskaantunut tai vaurioitunut asennuksen aikana.
- Tee laite käyttökelvottomaksi ennen sen hävittämistä. Irrota laite virtalähteestä ja leikkaa virtajohto pois. Estä lasten tai eläinten juuttuminen laitteeseen poistamalla siitä ovet, saranat ja lukot.
- Huomautus: Jos laitteessa ei ole pakasteosastoa (❄️❄️❄️), se ei sovellu elintarvikkeiden pakastamiseen.
- Komission asetuksen (EU) 2019/2019 mukaisesti, laitteen korjaamiseen tarvittavien varaosien saatavuus on vähintään 7-10 vuotta riippuen varaosan tyypistä ja tarkoituksesta.
- Varaosien lista ja tilausmenettelyt ovat saatavilla valmistajan, maahantuojan tai valtuutetun edustajan nettisivuilla.

LAITTEEN ASENNUS- JA KÄYTTÖEHDOT

- Kytke laite virtalähteeseen 24 tunnin kuluttua pakkauksen purkamisesta ja laitteen asettamisesta lopulliseen paikkaansa.
- Ota tuote pois pakkauksesta sekä poista ovea ja laitetta suojaava teippi. Mahdolliset liimatahrat voidaan poistaa miedolla pesuaineella.
- Puhdista kaapin ulkopinta ja laitteen osat pesuaineella, joka on liuotettu haaleaan veteen, ja pyyhi sitten kuivaksi.
- Aseta kaappi tasaiselle, suoralle ja vakaalle pinnalle kuivaan, tuuletettuun ja varjoisaan huoneeseen ja kauas lämmönlähteistä, kuten uunista, liedestä, keskuslämmityspattereista, keskuslämmitysputkista, kuumavesiasennuksesta jne.
- Tuotteen ulkopinnalla voi olla suojakalvo, joka on poistettava.
- Varmista, että laite on suorassa ruuvaamalla kiinni 2 säädettävää etujalkaa (kuva 1).
- Jätä vapaata tilaa laitteen sivuille ja taakse (ks. asennuspiirros).
- Varmista, että laitteen pohjassa oleva ilmanvaihtosäleikkö ei tule tukiksi, kun asennat viinikaapin kalustekaapin sisään.
- Laitteesta voi ensimmäistä kertaa käynnistettäessä tulla hajua. Se haihtuu, kun laitteen sisäosa jäähtyy.
- Kun ensimmäistä kertaa käynnistät viinikaapin, kompressori toimii jatkuvasti, kunnes laitteen sisällä saavutetaan haluttu lämpötila.
- Kun irrotat laitteen virtalähteestä, on suositeltavaa odottaa 5 minuuttia ennen kuin se kytketään uudelleen virtalähteeseen. Tämä vähentää kompressorin vaurioitumisriskiä.
- Valituissa malleissa oikea lämpötila näkyy näytössä vasta muutamien tuntien kuluttua siitä, kun viinikaappi on asetettu toimintaan.

- Laite on kytkettävä 220–240 V 50 Hz -pistorasiaan. Pistorasian on oltava kiinnitetty kunnolla, ja siinä on oltava maadoitusjohto ja 10 A:n sulake.
- Laki vaatii, että laitteen on oltava oikein maadoitettu. Valmistajaa ei voida asettaa vastuuseen vauriosta tai tapaturmasta, joka voi koitua tämän vaatimuksen täyttämättä jättämisestä.
- Älä käytä sovittimia, monella pistorasialla varustettuja jatkojohtoja tai kahden johdon jatkojohtoja. Jos on käytettävä jatkojohtoa, siinä on oltava maadoituspiikki ja yksi pistorasia, ja sillä on oltava VDE/GS-turvallisuussertifikaatti.
- Jos käytetään jatkojohtoa (jossa on maadoituspiikki ja jolla on turvallisuussertifikaatti), sen pistorasian on sijaittava turvallisella etäisyydellä pesualtaista eikä se saa olla paikassa, johon voi tulla vettä tai jätevettä.
- Varmista, että laite voidaan helposti irrottaa verkkovirrasta joko vetämällä pistoke pois pistorasiasta tai kääntämällä kaksinapainen kytkin pois päältä.

Ilmastoalue

Tiedot laitteen ilmastoalueesta on nimellistehokilvessä. Ne kertovat, missä ympäristön lämpötilassa (eli huonelämpötilassa, jossa laite toimii) laitteen käyttö on optimaalista (oikeaa).

Ilmastoluokka:		Sallittu ilman lämpötila
SN	Pidennetty lauhkea	Tämä jäähdytyslaite on tarkoitettu käytettäväksi 10°C-32°C asteen lämpötiloissa.
N	Lauhkea	Tämä jäähdytyslaite on tarkoitettu käytettäväksi 16°C-32°C asteen lämpötiloissa.
ST	Subtrooppinen	Tämä jäähdytyslaite on tarkoitettu käytettäväksi 16°C-38°C asteen lämpötiloissa.
T	Trooppinen	Tämä jäähdytyslaite on tarkoitettu käytettäväksi 16°C-43°C asteen lämpötiloissa.

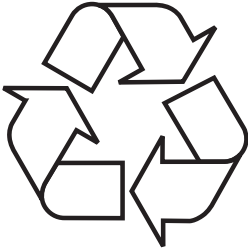
KÄYTÄNNÖN VINKKEJÄ

- Muista, että lämpötilasta laitteen sisällä tulee korkeampi, jos valo laitteen sisällä pysyy päällä.
- Lämpötila laitteen sisällä riippuu säilytettyjen viinipullojen määrästä ja tyypistä.
- Älä asenna laitetta kosteisiin huoneisiin, jotta varmistat käyttäjäturvallisuuden ja säilytetyn viinin korkean laadun.
- Säilytä viinipulloja niille varatuissa paikoissa.
- Viinikaapillasi on rajoitettu kapasiteetti. Älä aseta viinikaappiin enempää pulloja kuin käyttöohjeessa suositellaan.
- Älä avaa viinikaapin ovea tarpeettomasti.
- Älä peitä hyllyjä alumiinifoliolla tai muulla materiaalilla. Tämä estää ilmankierron laitteen sisällä.
- Voit välttää oven tiivisteiden vaurion varmistamalla, että ovi on täysin auki ennen kuin vedät hyllyn ulos. Hyllyt on työnnettävä mahdol-

lisimman kauas, muuten hylly saattaa vääntyä ja vaurioittaa oven tiivistettä.

- Älä ylitä täytettyjen hyllyjen ylitysrajaa (noin 1/3 hyllyn pituudesta)
- Laitte on tarkoitettu viinipullojen säilyttämiseen. Älä käytä sitä mihinkään muuhun tarkoitukseen.
- Viinin säilytyksessä lämpötilan vakaus on erittäin tärkeä.
- Viinikaapin altistaminen auringonvalolle, huomattaville lämpötilavaihteluille, suurelle kosteudelle ja tärähtelyille voi pilata viinin.
- Suuren ilmankosteuden jaksoina tiivistynyttä vesihöyryä saattaa esiintyä lasioven ulkopinnoissa. Voit estää tämän asentamalla laitteen kuivaan ja riittävästi tuuletettuun huoneeseen.
- Valituissa malleissa on ulkoinen kahva. Se on asennettava itse. Älä käytä tähän (kuva 3*) sähköisiä työkaluja.
- Laitteen enimmäiskapasiteetti annetaan viinikaapin mukana toimitetussa tuoteselosteessa. Kapasiteetti koskee vakiomuotoista 0,75 litran Bordeaux-pulloja.
- Valituissa malleissa on kaatumissuoja. Asenna se oheisen kaavion (kuva 6*) mukaan.
- Tämä jäähdytyslaitte on tarkoitettu käytettäväksi sisäänrakennettuna laitteena.
- Jotta ruoka säilyisi mahdollisimman pitkään ja jotta mitään siitä ei menisi hukkaan, asettele tuotteet kohdan 12. esimerkin mukaisesti. Lisäksi tässä kohdassa on esitettyä myös lokeroitten, korien ja hyllyjen pohjapiirroksia, jotka mahdollistavat mahdollisimman tehokkaan energiankäytön.
- Optimaaliset lämpötilat ja säilytysolosuhteet pidentävät tuotteiden säilyvyyttä ja parantavat energiankulutusta. Optimaaliset säilytyslämpötilat tulisi olla ilmoitettuna elintarvikkeen pakkauksessa.

PAKKAUKSEN PURKAMINEN



Kuljetuksen aikana käytetään suo-
japakkausta, joka suojaa laitetta
mahdolliselta vauriolta. Hävitä pak-
kauksen purkamisen jälkeen kaikki
pakkaustarvikkeet tavalla, joka ei ai-
heuta haittaa ympäristölle.
Laitteen kaikki pakkausmateriaalit
ovat ympäristöystävällisiä. Ne voi-
daan kierrättää 100-prosenttisesti, ja niissä on täs-
tä kertova asianmukainen symboli.
Tärkeää! Pakkausmateriaalit (pussit, polyeteeni,
polystyreeni jne.) on pidettävä pakkauksen purka-
misen aikana poissa lasten ulottuvilta.

VANHAN LAITTEEN HÄVITYS



Tämä laite on varustettu eurooppalai-
sen direktiivin 2012/19/EY ja suoma-
lainen sähkö- ja elektroniikkatuotteita
koskevan lainsäädännön mukaisesti
varustettu rastitetulla roskasäiliön
symbolilla. Merkintä tarkoittaa, että
laitetta ei saa käytön jälkeen hävittää
kotitalousjätteen mukana.
Käyttäjä on velvollinen toimittamaan sen sähkö- ja
elektroniikkalaitteiden keräyspisteeseen. Kerääjät,
kuten paikalliset keräyspisteet, kaupat ja paikalliset
viranomaiset, tarjoavat kierrätysmalleja.
Käytettyjen sähkö- ja elektroniikkalaitteiden oikea
käsittely auttaa välttämään ympäristö- ja terveys-
vaaroja, jotka johtuvat tällaisten tuotteiden vaaral-
listen osien läsnäolosta sekä virheellisestä säilytyk-
sestä ja käsittelystä.

SÄÄTIMET

Laitteen säätimet - yksittäisalue ja kaksoisalue





Ohjauspaneeli on kuvassa 4. Se on viitteeksi myös alla:

Yksittäisalue



Kaksoisalue



-  – Virtapainike
-  – Valopainike
-  – Pluspainike
-  – Miinuspainike

Virran kytkeminen päälle ja pois päältä

Kytke viinikaappi päälle painamalla virtapainiketta yhden sekunnin ajan. Kytke viinikaappi pois päältä painamalla virtapainiketta viisi sekuntia.

Lämpötilan muuttaminen

- Paina plus- tai miinuspainiketta (+/-), kunnes haluttu lämpötila näkyy näytössä.
- Valmis (esiasetettu) lämpötila on 12°C / 54° F.
- Voit muuttaa lämpötilanäytön Fahrenheitista Celsiusukseksi tai Celsiusuksesta Fahrenheitiksi painamalla valopainiketta viisi sekuntia.
- Voit katsella asetettua lämpötilaa koskettamalla plus- tai miinuspainiketta (+/-) milloin tahansa, jolloin asetettu lämpötila vilkkuu LED-näytössä viisi sekuntia.
- Näytössä näkyy nykyinen sisäinen lämpötila, kun viinikaappi on päällä.

Huomautus: Ala-alueen lämpötila on asetettava samaksi tai suuremmaksi kuin yläalueen lämpötila. Ihanteellisesti lämpötilojen eron näillä kahdella alueella on oltava vähintään 4 °C.

Ihanteellisen lämpötilan valinta

Vaikka viini säilyy parhaiten 13–15 °C:n lämpötilassa, viiniä voidaan säilyttää myös nauttimislämpötilassa. Punaviinille se on 15–17 °C ja valko-
viinille 12–13 °C.

Sisävalon käyttö

Kytke valo päälle tai pois päältä painamalla valopainiketta.

Sisäinen kosteus

Viinikaapit on mallin mukaan varustettu kosteusjärjestelmällä, joka ylläpitää viinikaapissa ihanteellista kosteutta. Täytä kosteussäiliöstä n. 3/4 vedellä. Aseta säiliö lähyllyn kiskoille kuvan 2 mukaisesti. Varmista, että se on sijoitettu oikein veden roiskumisen estämiseksi. Tarkista veden taso säännöllisesti ja täytä uudelleen tarvittaessa.

Lämpötilänäyttö

Lämpötilänäyttö näyttää nykyisen sisäisen lämpötilan.

Näyttö vilkkuu:

- Kun erilaista lämpötilaa asetetaan,
- Jos sisäinen lämpötila eroaa +/-5° asetetusta lämpötilasta.

Tämä varoittaa vahingosta, joka voi tulla laitteen sisältöön, jos lämpötila on liian korkea.

Hiljainen tila

Kun vaadittu lämpötila saavutetaan, laite toimii ilman puhallinta. Viinikaappi on tehtaassa asetettu hiljaiseen tilaan. Voit muuttaa jäähdytystilan dynaamiseksi painamalla miinusnäppäintä (-) n. viisi sekuntia (vasen miinuspainike kaksoisaluekaapeissa). Viinikaappi vahvistaa dynaamisen jäähdytyksen käyttöönoton antamalla äänimerkin viisi kertaa.

Dynaaminen jäähdytystila

Puhallin kiertää ilmaa myös vaaditun lämpötilan saavuttamisen jälkeen kytketyillä päällä ja päältä pois. Tämä varmistaa kosteuden ja lämpötilan jakautumisen yhtenäisesti viinikaappiin, mikä luo täydelliset olosuhteet pitkäaikaiselle säilytykselle.

Dynaamisen tilan käyttö lisää toiminnan melutasoa.

Voit vaihtaa hiljaiseen tilaan painamalla pluspainiketta (+) n. viisi sekuntia (vasen pluspainike kaksoisaluejähdyttimissä). Viinikaappi vahvistaa hiljaisen tilan käyttöönoton antamalla kolme äänimerkkiä.

Viikonlopputila

Tämä kytkee pois päältä näytöt, sisävalon ja äänimerkit. Jäähdytysprosessi jatkuu.

Voit vaihtaa viikonlopputilaan painamalla virta- ja valonäppäimiä samanaikaisesti viisi sekuntia. Merkkivalo vahvistaa tilan käyttöönoton vilkkumalla neljä kertaa. Tila vaihtuu automaattisesti pois käytöstä 48 tunnin kuluttua, mutta tila voidaan poistaa käytöstä milloin tahansa painamalla virta- ja valonäppäimiä samanaikaisesti viisi sekuntia.

Lämpötilahälytys

Jos lämpötila nousee tai laskee asetetun lämpötila-alueen ulkopuolelle, kuuluu äänimerkki ja näyttö alkaa vilkkua. Syynä voi olla:

- Viinikaappi ei ole vielä saavuttanut asetettua lämpötilaa (kun se on ensimmäistä kertaa kytketty päälle).
- On tapahtunut virtakatkos.
- Viinikaappi on liian täynnä.
- Ovea ei ole suljettu kunnolla.

HOITO JA PUHDISTUS

Irrota laite aina pois verkkovirtalähteestä ennen mitä tahansa puhdistusta tai huoltoa.

Hyllyjen poisto

- Voit poistaa hyllyn viinikaapista poistamalla ensin kaikki pullot hyllyltä ja sitten vetämällä hyllyä eteenpäin, kunnes kunkin hyllyn sivun ura on kaapin muovisen tapin kohdalla kummallakin puolella (kuten kuvassa 5). Nosta sen jälkeen hyllyä ylöspäin ja vedä eteenpäin.
- Voit laittaa hyllyt takaisin noudattamalla edellä kuvattuja vaiheita käänteisjärjestyksessä.

Puhdistus

- Älä käytä hankaavia tuotteita tai pesuaineita. Huuhtele ja kuivaa perusteellisesti pesun jälkeen.
- Laitteen ulkopuoli ja oven tiiviste on puhdistettava miedolla saippuavedellä ja kuivattava perusteellisesti.
- Kaapin sisäpuoli on puhdistettava natriumbikarbonaatilla ja haalealla vedellä.
- Puhdista hyllyt erikseen käsin käyttäen saippuaa ja vettä. Älä laita niitä astianpesukoneeseen.
- Varmista, että liina on vain nihkeän kostea, kun puhdistat ohjauspaneelia ja sähköosia ja että kaikki vesi on täysin kuivunut ennen virran kytkemistä.
- Kytke laite puhdistuksen jälkeen takaisin verkkovirtaan.
- Jos laitetta ei käytetä pitkiin aikoihin, irrota virtajohto ja puhdista laite perusteellisesti. Ovi on jätettävä hieman raolleen hajujen ja kosteuden tiivistymisen välttämiseksi.

VIANMÄÄRITYS

Jos sinulla on laitteeseen liittyviä ongelmia, tarkista vianmääritysoapas ennen tukeen soittamista, jotta vältät tarpeettomat huoltokäynnit ja mahdolliset kustannukset.

Jos laite ei toimi - tarkista seuraavat:

- Laitteessa on virta.
- Talon sulakkeet tai katkaisijat ovat ehjät, eikä pistokkeen sulake ole palanut.
- Pistorasia toimii oikein. Tarkista tämä liittämällä pistorasiaan toinen laite, jolloin näet, toimiiko pistorasia.
- Huonelämpötila on 16–32 °C.

Laite toimii, mutta ei kovin hyvin - tarkista seuraavat:

- Laitetta ei ole täytetty liian täyteen.
- Termostaattiin on asetettu oikea lämpötila.
- Ovi on suljettu oikein.
- Oven tiiviste toimii oikein.
- Laitteen sivuilla ja takana on tarpeeksi ilmanvaihtoa.
- Huonelämpötila on 16–32 °C.

Laite pitää melua - tarkista seuraavat:

- Laite on tasaisella pinnalla ja vakaa.
- Jäähdytyskaasu aiheuttaa jonkin verran melua myös silloin, kun kompressori ei ole toiminnassa.
- On normaalia, että puhallin toimii käytön aikana silloinkin, kun kompressori ei ole toiminnassa.

Valo ei toimi - tarkista seuraavat:

- Laitteessa on virta.
- Talon sulakkeet tai katkaisijat ovat ehjät, eikä pistokkeen sulake ole palanut.
- Valopainiketta ei ole asetettu off-tilaan.

Huomautus:

LED-merkkivalo voidaan vaihtaa ilman huoltokäyntiä

Ovi ei sulkeudu oikein - tarkista seuraavat:

- Laite on tasaisella pinnalla ja vakaa.
- Jos ovi on poistettu, sitä ei ole ehkä laitettu oikein takaisin.
- Oven tiiviste on likainen.
- Hyllyjä ei ole asetettu oikein.

Näytössä näkyy "E1" tai "E2"

- Lämpötila-anturi on vikaantunut. Ota yhteys tukeen.

EPREL

Saadaksesi lisätietoa tuotteesta, tutustu EU EPREL Product Database -tietokantaan osoitteessa <https://eprel.ec.europa.eu>. Saadaksesi lisätietoa, skanna energiamerkinnässä oleva QR-koodi mobiililaitteellasi tai syötä energiamerkinnässä ilmoitettu tuotemalli EPREL: in hakukoneeseen <https://eprel.ec.europa.eu/>

TAKUU JA MYYNNIN JÄLKEINEN HUOLTO

Takuu

Takuuhuolto takuukortin mukaisesti
Valmistajaa ei voida asettaa vastuuseen mistään tämän tuotteen virheellisestä käytöstä aiheutuneesta vauriosta.

Huolto

- Valmistaja suosittelee, että kaikki korjaukset ja säädöt tekee tehtaan huoltoteknikko tai valmistajan valtuuttama huoltopiste. Turvallisuuksista korjaustyöt tulee jättää ammattilaisille.
- Epäpätevien henkilöiden toimesta tehdyt korjaustyöt saattavat vakavasti vaarantaa laitteen käyttäjän.
- Valmistajan, maahantuojan tai valtuutetun edustajan antama minimi takuu-aika laitteelle on ilmoitettuna takuukortissa.
- Takuu raukeaa mikäli teet omatoimisia muunnelmia tai muutoksia, sormeilet tiivisteitä tai muita laitteen turvalaitteita tai osia, tai jos käytät laitetta sen käyttöohjeiden vastaisesti.

Jos laitteessa ilmenee toimintahäiriöitä, pyydä apua tai korjausta.

Jos laitteesi tarvitsee korjausta, ota yhteyttä tukikeskukseen. Löydät tukikeskuksen osoite- ja yhteystiedot takuukortista. Ennen kuin otat yhteyttä, ota valmiiksi esille laitteen sarjanumero, joka löytyy tunnistetarrasta: Kirjoita se omaksi eduksesi muistiin:

--	--	--	--	--	--	--	--	--	--	--	--	--	--	--	--	--	--	--	--	--

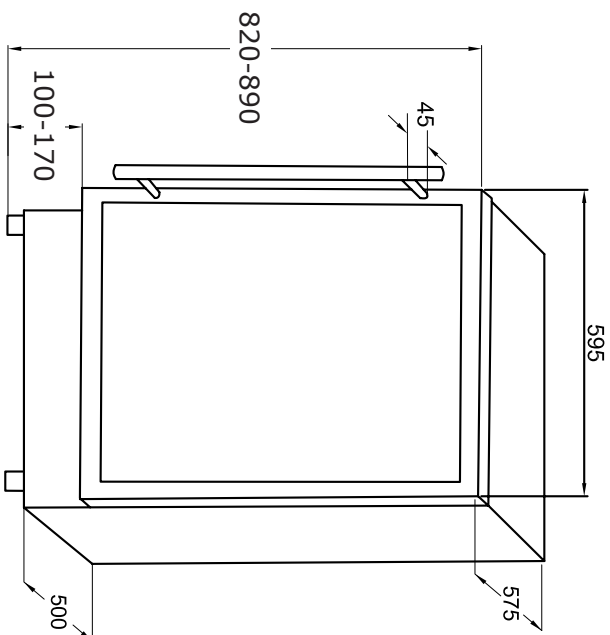
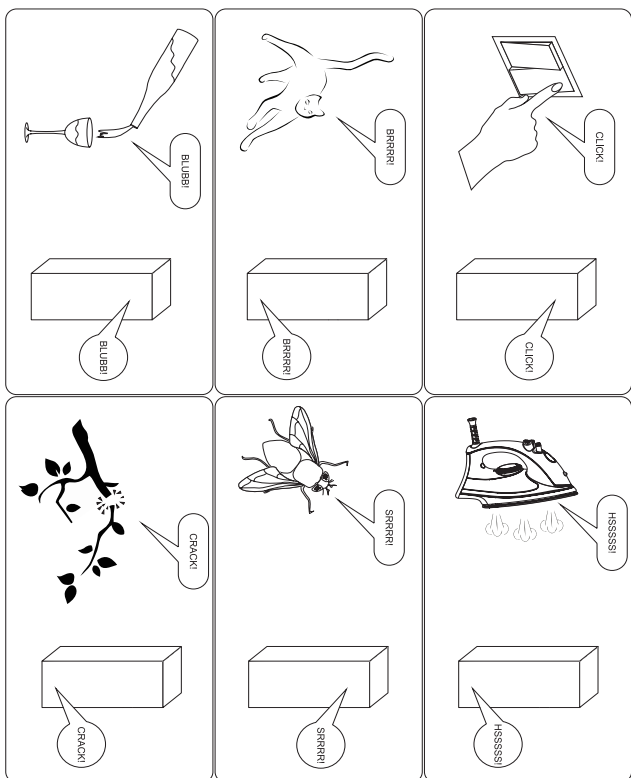
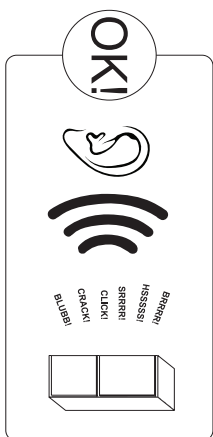
Valmistajan vakuutus

Valmistaja vakuuttaa, että tämä tuote vastaa seuraavien eurooppalaisten direktiivien vaatimuksia:

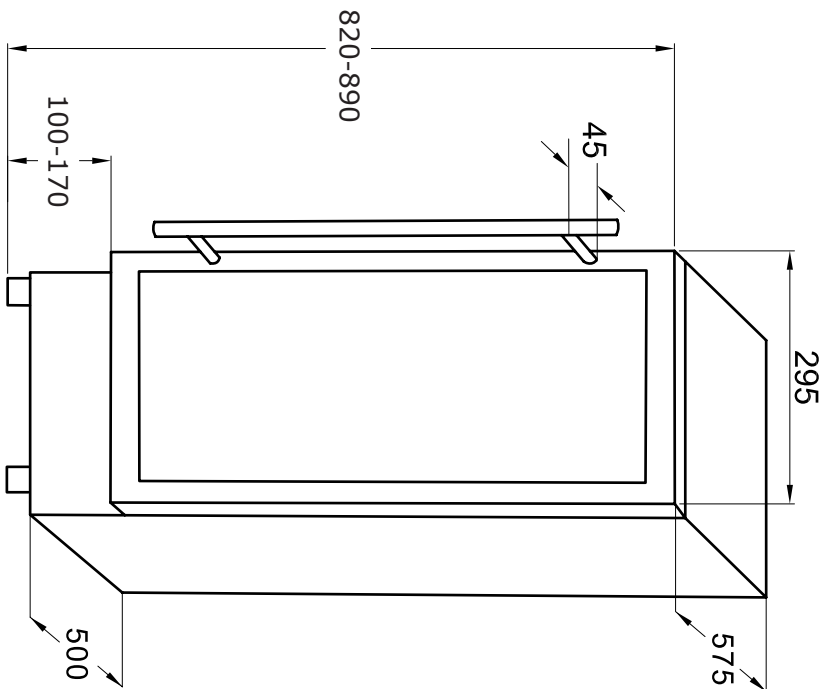
- Pienjännitedirektiivi 2014/35/EY
- Sähkömagneettista yhdenmukaisuutta koskeva direktiivi 2014/30/EY
- Ecodesign-direktiivi 2009/125/EY
- Direktiivi RoHS 2011/65/EY

ja sille on tämän mukaisesti annettu **CE**-merkintä ja siitä on tehty vaatimustenmukaisuusvakuutus markkinoita säänteleville viranomaisille.

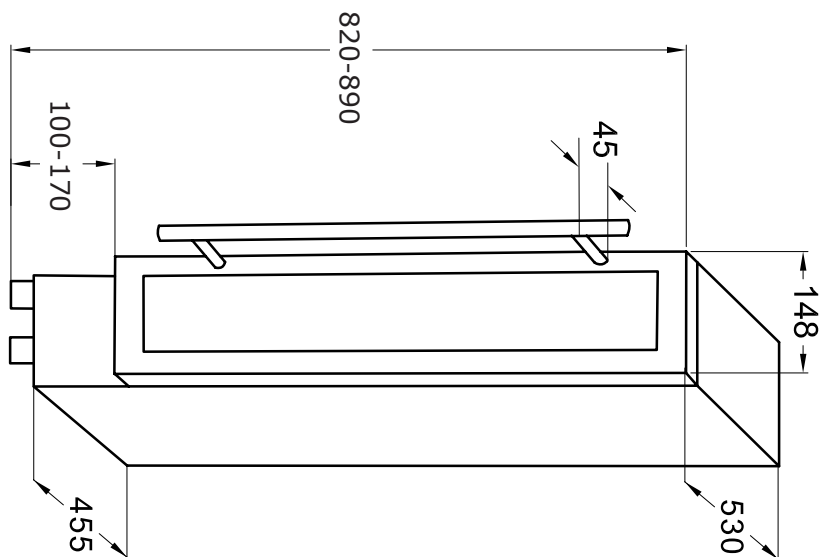
VS 54586-90 B

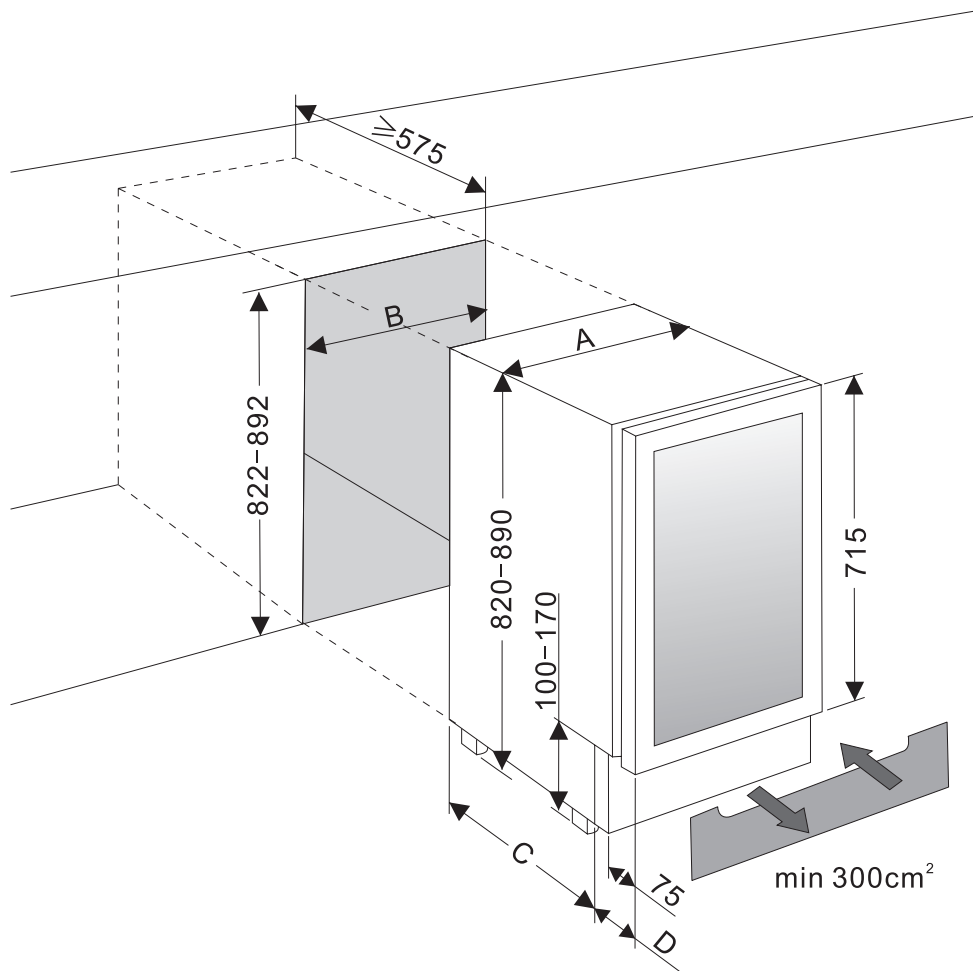


VS 52083-90 B



VS 50781-90 B





	A [mm]	B [mm]	C [mm]	D [mm]
VS 50781-90 B	148	150	455	75
VS 52083-90 B	295	300	460	115
VS 54586-90 B	595	600	460	115

EN- The base under the wine cooler must be cut as instructed / DA- Basen under vinkøleskabet skal skæres til i henhold til vejledningen / SV- Sockeln under vinkylan måste skäras ut enligt instruktionerna./ NO- Basen under vinskabet må kuttes som instruert / FI- Viinikaapin alusta on leikattava ohjeiden mukaan.

EN:

- Since the appliance will be built into a furniture unit, before installing the appliance, prepare a ventilation duct behind the appliance running from the floor to the top of the furniture unit. Ensure there is free space between the back of the appliance and the wall, which is not blocked by furniture. The area of ventilation grille should be at least 300 cm²
- Note: The appliance height does not include the screw-in feet. The device is installed without feet.
- To ensure correct appliance operation never cover any ventilation openings. Regularly clean the ventilation grille.

DA:

- Da apparatet skal indbygges i et skabsmodul, skal der bag ved apparatet, inden installationen, forberedes en ventilationsskakt, som løber fra gulvet op til toppen af skabsmodulet. Sørg for, at der er åbent, som ikke blokeres af møbel, mellem apparatets bagside og væggen. Ventilationsgitterets areal bør være mindst 300 cm²
- Bemærk: Apparatets højde inkluderer ikke fødderne, der skrues på. Apparatet monteres uden fødder.
- For at sikre at apparatet fungerer korrekt må ingen af ventilationsåbningerne tildækkes. Rengør jævnligt ventilationsgitteret.

SV:

- Eftersom är avsedd att byggas in i ett skåp måste du installera en ventilationskanal bakom produkten från golv till skåpets topp innan du installerar produkten i skåpet. Säkerställ att det finns tillräckligt mycket fritt utrymme mellan produkten och väggen som inte blockeras av skåpet. Ventilationsgallret kräver ett utrymme på mins 300 cm².
- Observera: Produktens höjd inkluderar inte fötterna som kan skruvas in. Produkten installeras utan fötter.
- Ventilationsöppningarna får inte täckas över om produkten ska fungera korrekt. Ventilationsgallret ska rengöras regelbundet.

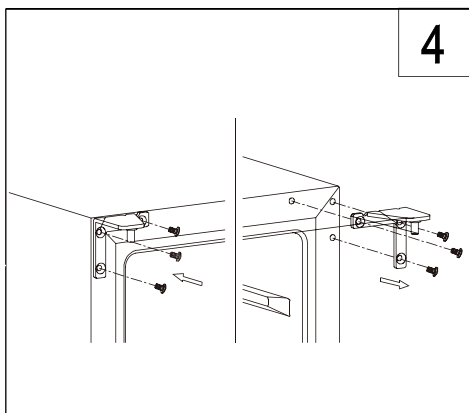
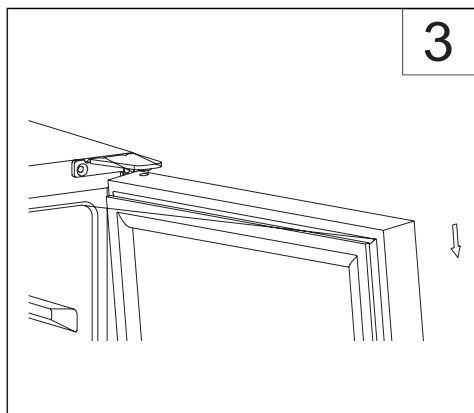
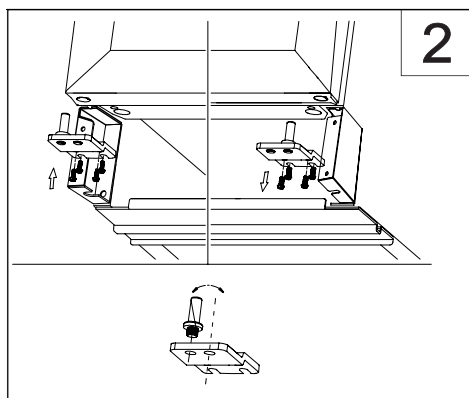
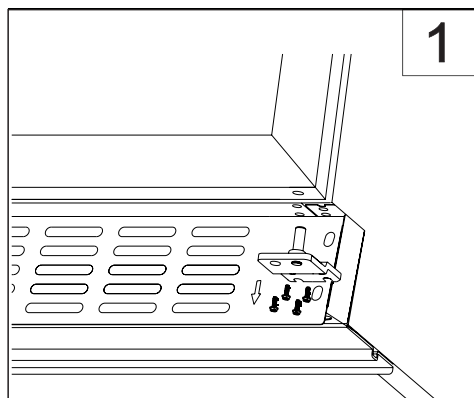
NO:

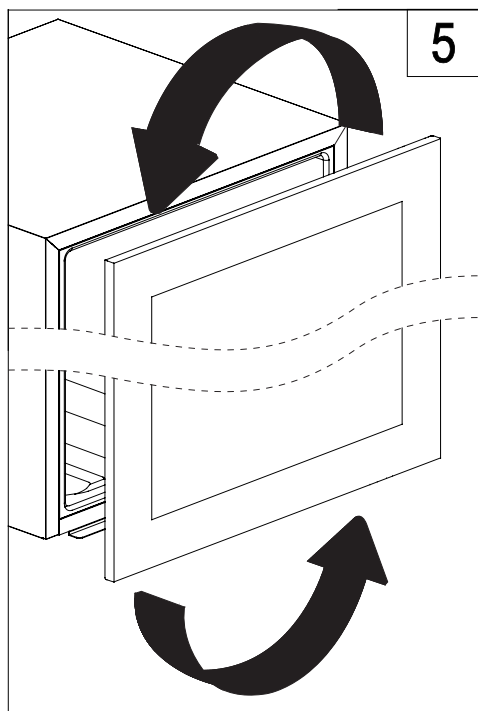
- Siden apparatet skal bygges inn i et møbel, må du klargjøre en ventilasjonskanal bak apparatet som løper fra gulvet til toppen av møbelet før installasjon. Kontroller at det er nok plass mellom apparatet og veggen som ikke er blokkert av møbler. Området for ventilasjonsgitteret skal være minst 300 cm²
- Merk: Apparatets høyde inkluderer ikke de justerbare føttene. Apparatet installeres uten føtter.
- For å sikre korrekt bruk av apparatet, må du aldri dekke til ventilasjonsåpningene. Rengjør ventilasjonsgitteret regelmessig.

FI:

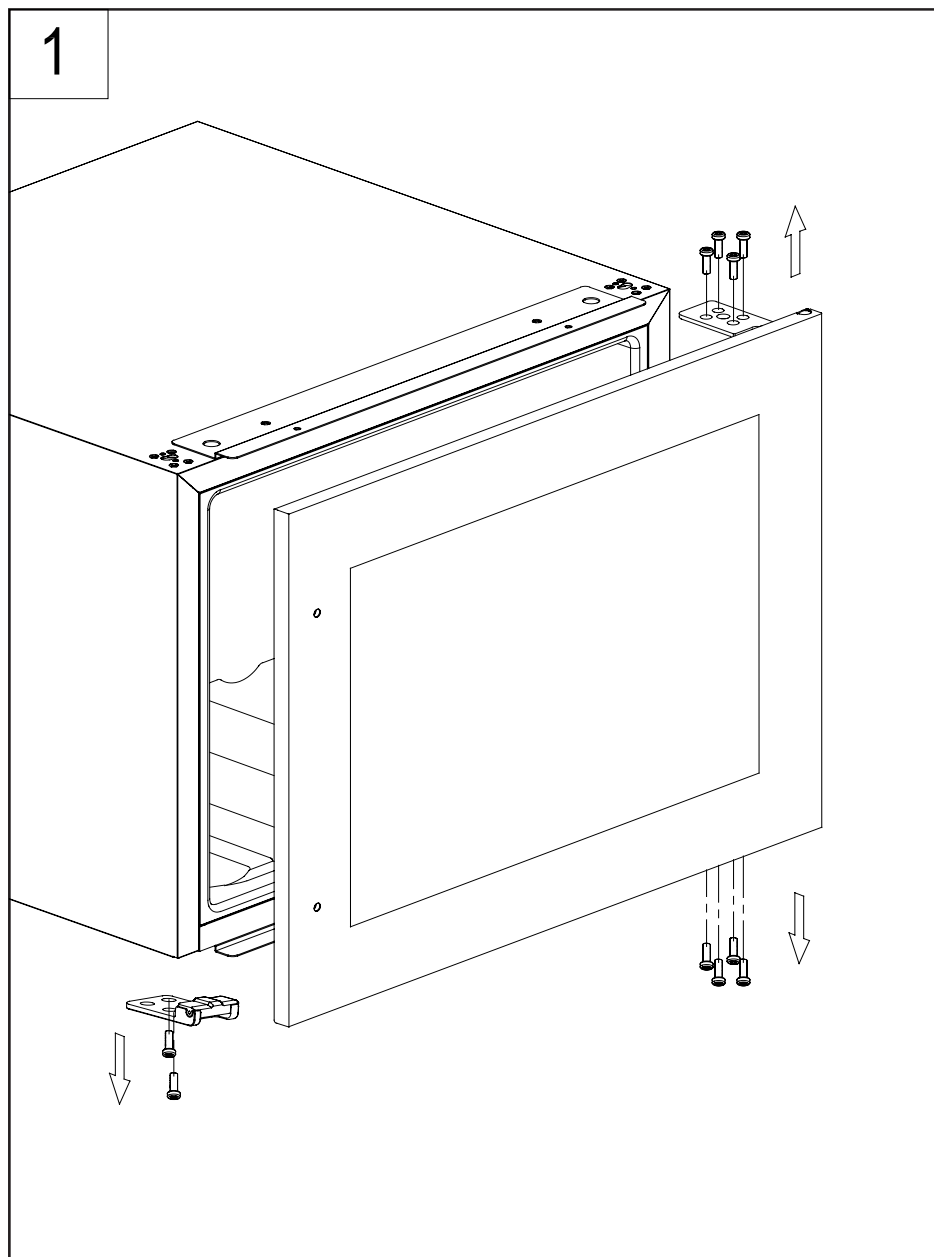
- Koska laite rakennetaan huonekaluyksikön sisään, valmistele ennen asennusta ilmanvaihtokanava, joka kulkee lattiasta huonekaluyksikön yläosaan. Varmista, että laitteen taustan ja seinän väliin jää vapaata tilaa, jota kalusteet eivät tuki. Ilmanvaihtosäleikön alueen on oltava vähintään 300 cm².
- Huomautus: Laitteen korkeus ei sisällä ruuvattavia jalkoja. Laite asennetaan ilman jalkoja.
- Älä koskaan peitä ilmanvaihtoaukkoja, jotta varmistat laitteen oikean toiminnan. Puhdista ilmanvaihtosäleikkö säännöllisesti.

EN- CHANGING THE DIRECTION OF THE DOOR OPENING / DA- ÆNDRING AF DØRENS
ÅBNINGSRETNING / SV- ÄNDRA VILKEN SIDA DÖRREN ÖPPNAS ÅT / NO- OMHENGSL
DØRA / FI- OVEN AVAUTUMISSUUNNAN VAIHTO

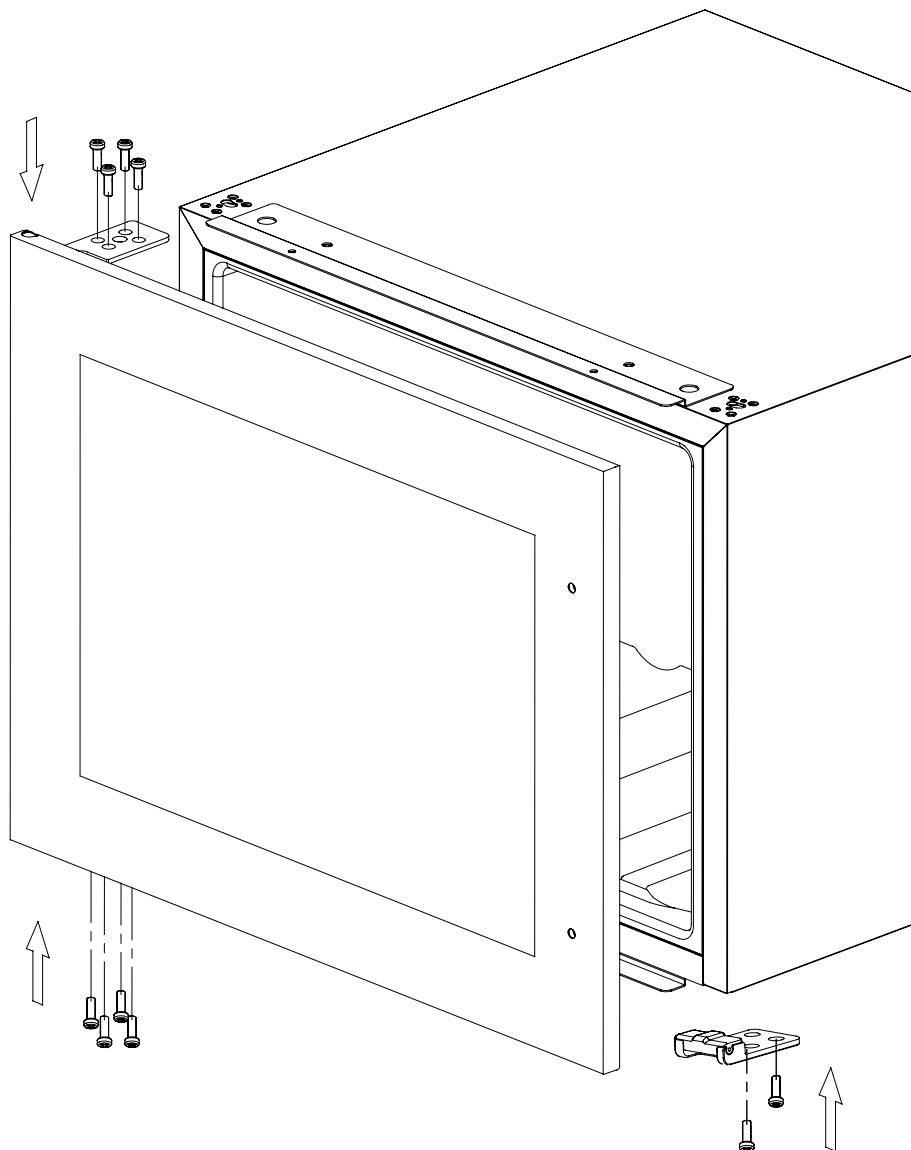


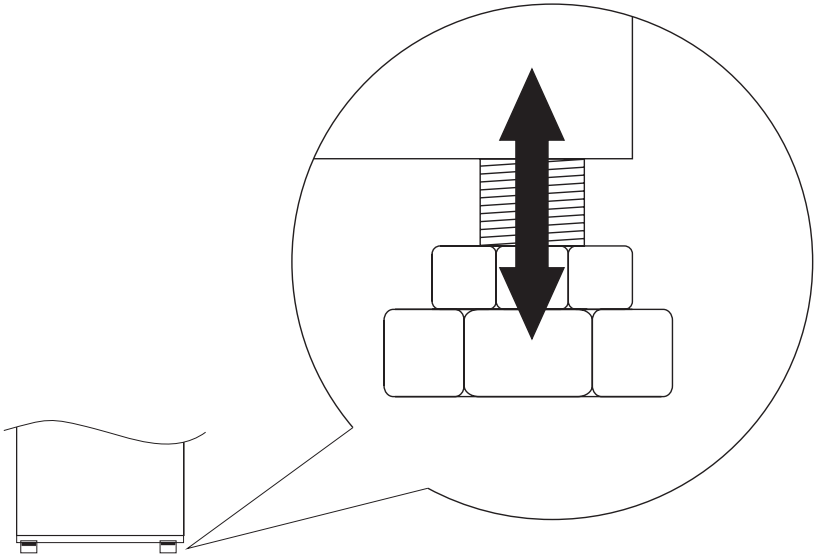


EN- CHANGING THE DIRECTION OF THE DOOR OPENING / DA- ÆNDRING AF DØRENS
ÅBNINGSRETNING / SV- ÄNDRA VILKEN SIDA DÖRREN ÖPPNAS ÅT / NO- OMHENGSL
DØRA / FI- OVEN AVAUTUMISSUUNNAN VAIHTO

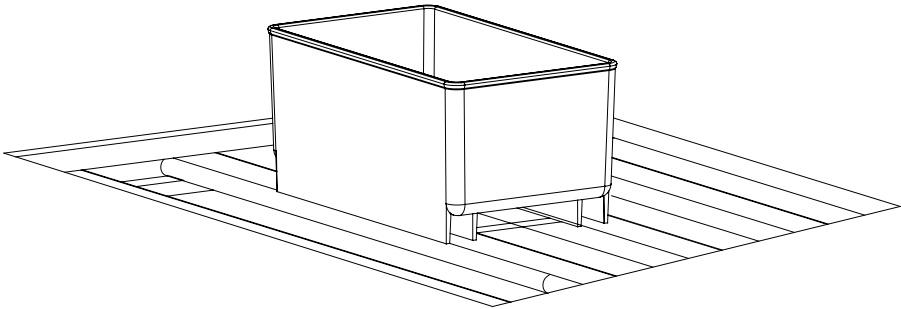


2



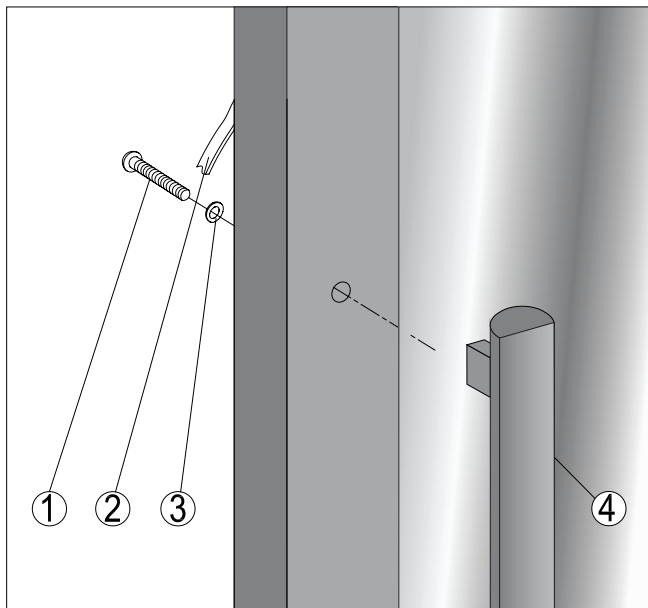


1

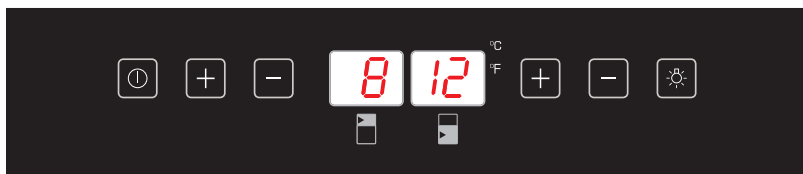


2

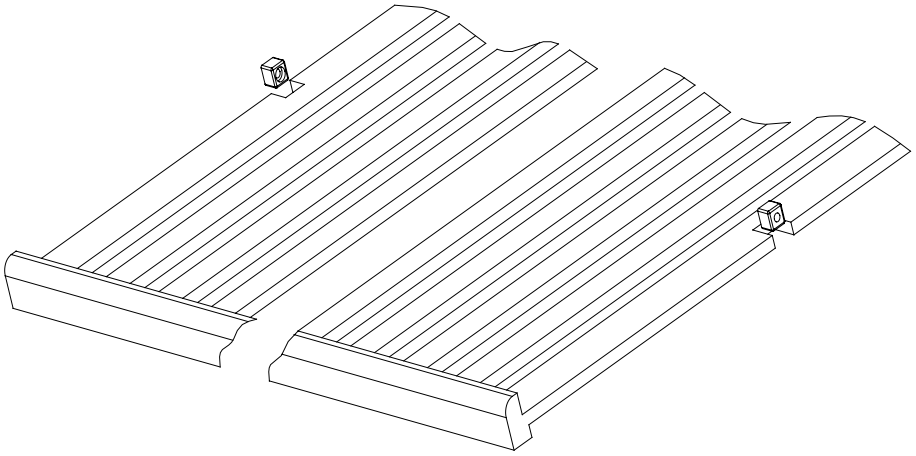




3

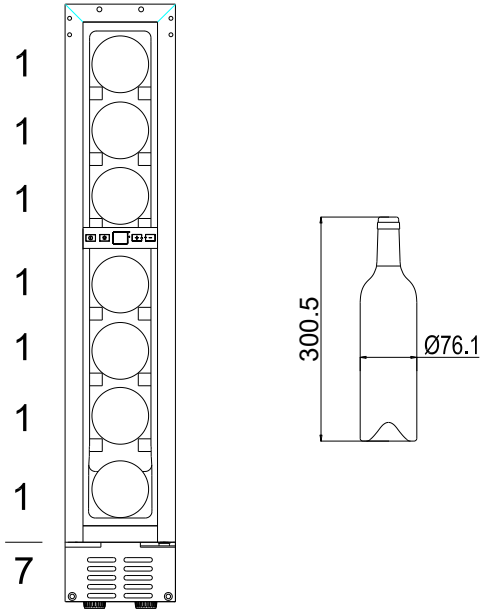


4

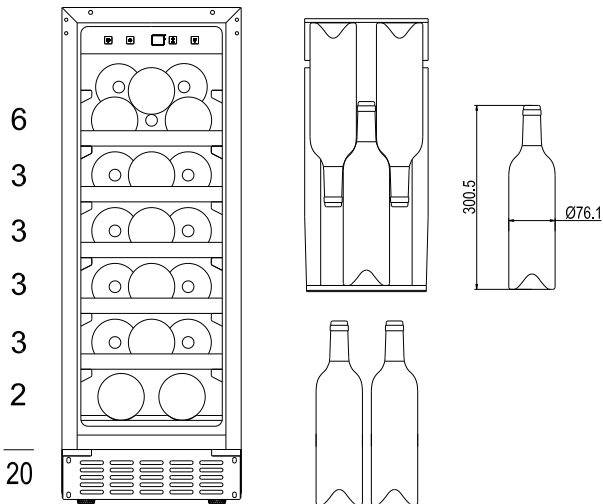


5

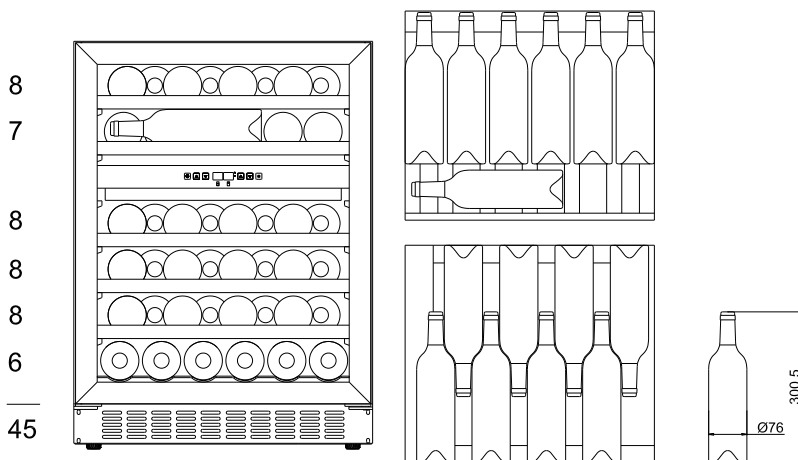
VS 50781-90 B



VS 52083-90 B



VS 54586-90 B



12

NO:
Gram A/S
Tel.: 22 07 26 30
www.gram.no

SE:
Gram A/S
Tel.: 040 38 08 40
www.gram.se

FI
Gram A/S
Tel.: 020 7756 350
www.gram.fi



Gram A/S
Gejlhavegård 2B
DK-6000 Kolding
+45 73 20 10 00
www.gram.dk