

# GRANT 4 R LN



LOW NO<sub>x</sub>  
LIGHT OIL BURNER



## Instructions to Assembly, Commissioning and Maintenance

Before installing and using the burner, read this manual carefully and keep it close to the burner.



Dear Client,

We would like to thank you for having chosen a CUENOD product.

The model chosen by you is a high-performance product with an advanced technological conception, high reliability and excellent construction quality.

We advise you to entrust the running and maintenance of this appliance to know qualified professionals, and also to use only original spare parts when needed.

This manual contains important guidelines and suggestions which should be complied with in order to obtain a simple installation and the best possible use of the appliance.

## RANGE

This manual refers to the following products:

BURNER MODEL	CUENOD CODE
GRANT 4 R 18 LN V18	3146483
GRANT 4 R 24 LN V15-26	3146168
GRANT 4 R 32 LN V26-36	3146169

## BURNER DESIGNATION

### GRANT 4 R 18 LN V18

GRANT 4 Burner Series

R Pre-heater

BOILER TYPE

18 Boiler nominal power (max)

EMISSION

BOILER REFERENCE

LN Low NOx emissions (NOx < 120 mg/kWh according to European Commission Regulation No 813/2013 and to pr EN267/2016 Class 4)

## CONTENTS

<b>1</b>	<b>SAFETY</b>	<b>5</b>
1.1	Overview .....	5
1.2	Intended use .....	5
1.3	Symbols used .....	6
	1.3.1 <i>Key to symbols used in the manual</i> .....	6
	1.3.2 <i>Other symbols</i> .....	6
1.4	Requirements for personnel or operators .....	7
1.5	Primary hazards .....	7
<b>2</b>	<b>GENERAL</b>	<b>8</b>
2.1	Burner description .....	8
2.2	Supply .....	8
2.3	Identification .....	9
2.4	Structure .....	10
	2.4.1 <i>Structure of the burner</i> .....	10
	2.4.2 <i>Structure of the combustion head</i> .....	12
2.5	Control box .....	13
2.6	Operating logic (Two-pipe system) .....	13
	2.6.1 <i>Operating function</i> .....	13
	2.6.2 <i>Controlled shutdown</i> .....	14
	2.6.3 <i>Safety function</i> .....	14
<b>3</b>	<b>TECHNICAL DATA</b>	<b>15</b>
3.1	Dimensions and weights .....	15
3.2	Technical data .....	16
3.3	Electrical diagram .....	17
<b>4</b>	<b>INSTALLATION</b>	<b>18</b>
4.1	Safety during assembly .....	18
4.2	Installation area .....	19
	4.2.1 <i>Flue gas system</i> .....	19
4.3	Assembly tools .....	19
4.4	Preliminary checks before mounting the burner .....	20
4.5	Burner assembly .....	21
4.6	Removing and fitting the burner cover .....	23
4.7	Oil systems .....	24
	4.7.1 <i>Hydraulic diagram</i> .....	25
	4.7.2 <i>Oil pump</i> .....	25
	4.7.3 <i>Oil feed and suction line with two-pipe system</i> .....	27
4.8	Electrical connection .....	28
	4.8.1 <i>Electrical connection to the boiler</i> .....	28
4.9	Removing the burner .....	29

<b>5</b>	<b>COMMISSIONING</b>	<b>32</b>
5.1	Safety during commissioning . . . . .	32
5.2	Factory pre-setting . . . . .	32
	5.2.1 <i>Altitude settings</i> . . . . .	33
5.3	Combustion adjustment . . . . .	34
	5.3.1 <i>Air flap position</i> . . . . .	34
5.4	Checks before commissioning . . . . .	35
5.5	Adjusting burner output . . . . .	35
	5.5.1 <i>Burner start</i> . . . . .	36
	5.5.2 <i>Burner adjustment</i> . . . . .	36
5.6	Oil pressure setting . . . . .	36
	5.6.1 <i>Oil pressure setting</i> . . . . .	36
	5.6.2 <i>Checking negative pressure</i> . . . . .	36
	5.6.3 <i>Cleaning the pump filter</i> . . . . .	36
	5.6.4 <i>Check pump rotation</i> . . . . .	37
5.7	Commissioning record . . . . .	38
	5.7.1 <i>Setting and values recorded</i> . . . . .	39
<b>6</b>	<b>MAINTENANCE</b>	<b>40</b>
6.1	Safety during maintenance . . . . .	40
6.2	Important components for safety . . . . .	41
	6.2.1 <i>List of parts typically subject to wear</i> . . . . .	41
6.3	Removing the burner . . . . .	42
6.4	Burner maintenance . . . . .	46
	6.4.1 <i>Cleaning and replacing combustion head components</i> . . . . .	46
	6.4.2 <i>Diffuser position check</i> . . . . .	47
	6.4.3 <i>Combustion head position check</i> . . . . .	49
	6.4.4 <i>Electrode position check</i> . . . . .	49
	6.4.5 <i>Replacing the coil</i> . . . . .	50
	6.4.6 <i>Replacing the capacitor</i> . . . . .	51
	6.4.7 <i>Cleaning the internal rotor</i> . . . . .	51
<b>7</b>	<b>TROUBLESHOOTING</b>	<b>53</b>
7.1	Combustion performances . . . . .	53
7.2	Fault diagnosis and repair . . . . .	53
7.3	Troubleshooting diagram . . . . .	54
<b>8</b>	<b>SPARE PARTS LIST</b>	<b>56</b>
<b>9</b>	<b>MANUFACTURER CERTIFICATE</b>	<b>58</b>
9.1	Manufacturer Certificate / EU Design Conformity Declaration . . . . .	58
<b>10</b>	<b>APPENDIX</b>	<b>59</b>
10.1	Use of bio fuel blends . . . . .	59
10.2	Important advice for the use of bio fuel blends . . . . .	59
	10.2.1 <i>Introduction</i> . . . . .	59
	10.2.2 <i>General instructions and information</i> . . . . .	59
<b>11</b>	<b>NOTES</b>	<b>61</b>

# 1 SAFETY

## 1.1 Overview

These instructions for the installation, commissioning and maintenance of the burner are for use by technicians from professional heating companies that are qualified to carry out these activities. The instructions contain indications and information on how to move, handle, activate, adjust, maintain and remove the appliance and how to dispose of the components at the end of their useful life.

The instructions must be followed and all applicable legislation complied with in order to ensure safe working conditions.

This manual should be stored near the product and made available to all operators involved in its use.

## 1.2 Intended use

The burner is designed to act as a heat source for heating and DHW generation systems in which water is the heating fluid.

Any other or wider application is outside of the specified intended use.

To avoid risks, the burner should only be used:

- for its specifically intended use
- under the appropriate safety conditions
- following the instructions for installation, commissioning and maintenance
- in compliance with the max. and min. operating values
- in compliance with the required maintenance activities
- immediately repairing any malfunctions that could compromise safety
- maintaining all notes and notices applied to the product so that they remain legible over time

the burner cannot be installed outdoors, unless installed in a boiler specifically designed for that use. If installed outdoors, climatic conditions could cause direct damage to the burner due to the presence of water or frost or cause the components to overheat.

## 1.3 Symbols used

### 1.3.1 Key to symbols used in the manual



#### **DANGER**

Maximum danger. Indicates operations that cause serious injury, death or long-term health risks if performed incorrectly.



#### **DANGER**

Indicates a dangerous situation that could cause serious injury, death or long-term health risks, caused by electricity, if handled without due care or incorrectly.



#### **WARNING**

Indicates operations that could cause serious injury, death or long-term health risks if performed incorrectly.



#### **PRECAUTION**

Indicates potentially dangerous situations and operations that could cause damage to the device or things and minor injury to persons, if handled without due care or performed incorrectly.



#### **CAUTION**

Indicates operations that could cause damage to the device or nearby things.



#### **IMPORTANT INFORMATION**

This symbol indicates important information that you must bear in mind.

### 1.3.2 Other symbols



#### **DANGER FLAMMABLE MATERIAL**

Indicates a dangerous situation that could cause serious injury, death or long-term health risks, caused by the presence of flammable substances near the equipment, if handled without due care or incorrectly.



#### **CAUTION**

Indicates potentially dangerous situations, caused by the presence of surfaces at high temperatures that could cause minor injuries, or burns, if handled incorrectly.



#### **PERSONAL PROTECTION**

Several symbols are used to remind operators of the need to use all the personal protective equipment required by applicable legislation during all installation, commissioning and maintenance operations.



#### **ENVIRONMENTAL PROTECTION**

Reminds operators of the need to apply a suitable recycling procedure to replaced components.



#### **ENVIRONMENTAL PROTECTION**

Reminds operators of the need to deliver the product or its components to a suitable separated waste collection centre at the end of its working life.

## 1.4 Requirements for personnel or operators


**CAUTION**

It may be hazardous to assign activities to personnel that are not sufficiently qualified. It may harm the operators themselves if they perform manoeuvres or operations incorrectly, with a serious impact on personal safety, things and property.


**CAUTION**

Installation, commissioning and maintenance activities must only be carried out by the personnel of dedicated heating companies specifically qualified to perform these tasks.


**CAUTION**

Operators should explain to the proprietor and person responsible for the domestic heating system the burner is installed on, the importance of ensuring good inflow of combustion air and combustion product evacuation. They should also highlight that no modification should be made to the heating system (comprised of air intake, burner, boiler and flue pipe) that could alter the correct operation of the system.

## 1.5 Primary hazards

The following indications refer to “residual risks”, which must be highlighted for the full understanding and responsibility of the proprietor, users and operators.

These risks derive from risk analyses carried out by Research and Development staff as required by European Standard EN 267 and applicable directives (Machine directive, LVD, EMC).


**DANGER**
**Danger of death!**

- Contact with live electrical components may cause serious incidents.
- Only professionally-trained and qualified personal can operate on the electrical system.
- Before any operation, switch off the power supply to the system by operating the main switch. Check there is no power and ensure restart is impossible.
- In the event of damage to the electrical insulation on the product, act immediately to restore the correct level of insulation.


**CAUTION**
**Hot surfaces - Risk of burns!**

- Contact with components at high temperatures may cause more or less serious superficial burns.
- Operators should wear suitable clothing and personal protective equipment.
- They should ensure that all components are at ambient temperature before carrying out any maintenance operations.


**FUEL LEAKS**

- Fuel leaks may cause fire to break out.
- They may be toxic via inhalation and cause skin irritation.
- Act swiftly to remove the cause of the leak. If it is connected to a maintenance operation, use the dedicated personal protective equipment.

## 2 GENERAL

### 2.1 Burner description

**GRANT 4 R LN V** is a latest generation single-stage burner fuelled by light oil. The innovative combustion head ensures low NO<sub>x</sub> and CO emissions within the emission limits set out by European Regulations for energy related products (ErP).

The burner uses functional components that, in addition to ensuring a long working life, also allow for easy installation, adjustment and maintenance. The high-performance electrical components ensure low fuel consumption.

The ventilation system ensures a high level of efficiency, and thanks to a powerful transformer, cold starts don't cause problems. The operation of **GRANT 4 R LN V** burners is reliable even in the event of persistent or intermittent wind, ignition takes place effectively and with smoke-developed index control.

The contained dimensions, low noise and ease of installation make it possible to apply the burner to boilers installed in domestic spaces.

### 2.2 Supply

The burner **GRANT 4 R LN V** includes the following equipments:

- n°1 flange with fixing bolt
- n°1 gasket
- n°2 flexible oil pipes (mounted on the burner) with n°2 nipple G3/8-1/4
- n°1 conventional flue carter
- n°1 cable kit with 7-pin connectors
- n°1 hex key 4 mm
- gauge for checking the settings (mounted on the burner)
- by-pass washer kit for single pipe system



2.3 Identification

Check the identification label of the burner ("Fig. 1").



- A Burner code
- B Week and year of manufacture
- C Burner model
- D Factory power setting
- E Burner power output
- F Electrical supply
- G Protection level
- H Electrical consumption
- I Types of fuel used
- J Serial number

Fig. 1



**CAUTION**

It is strictly forbidden to remove the identification label. Tampering, removal or absence of the data plate burner or anything that prevents the secure identification of the burner will create difficulties for any installation and maintenance work.

## 2.4 Structure

### 2.4.1 Structure of the burner

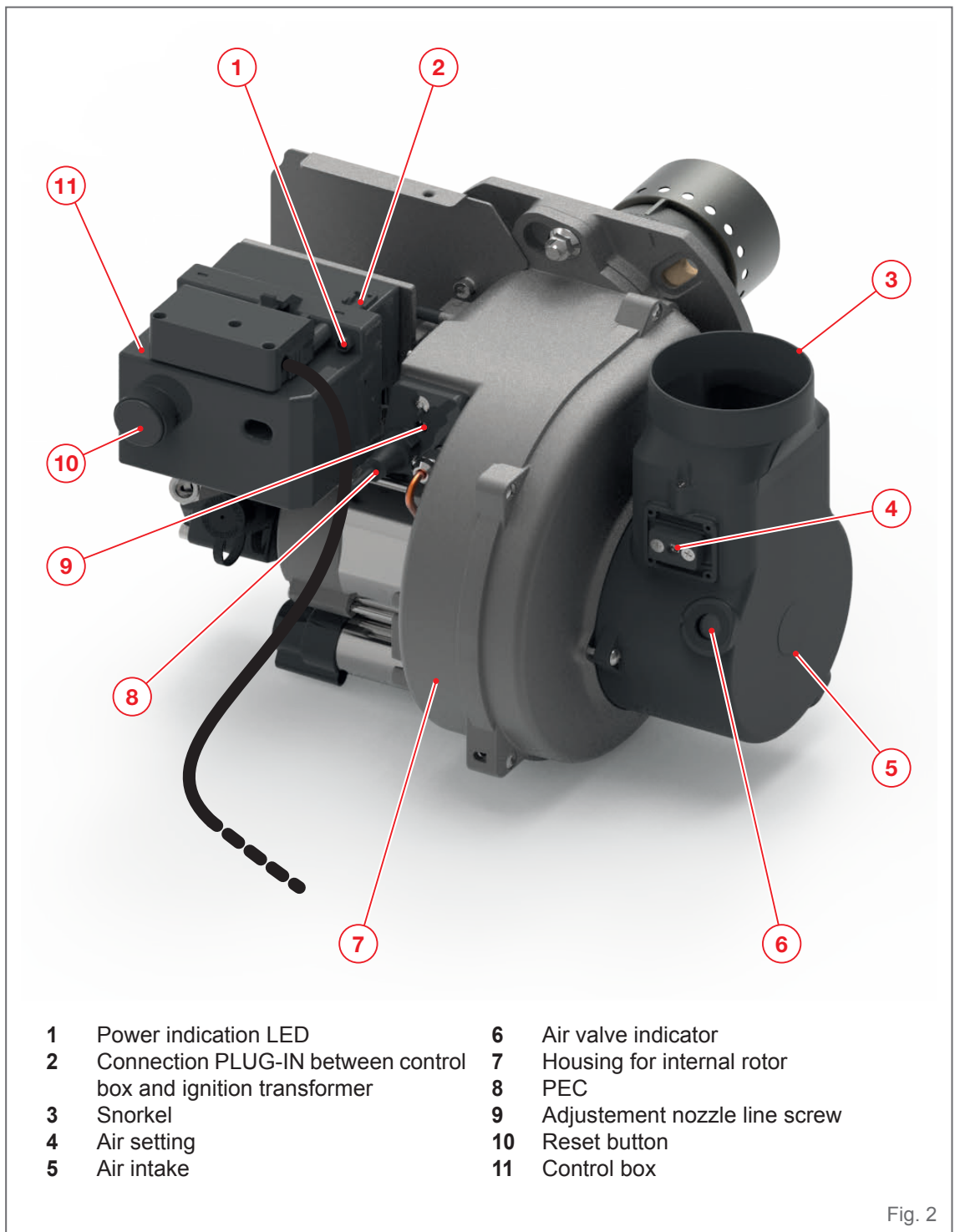
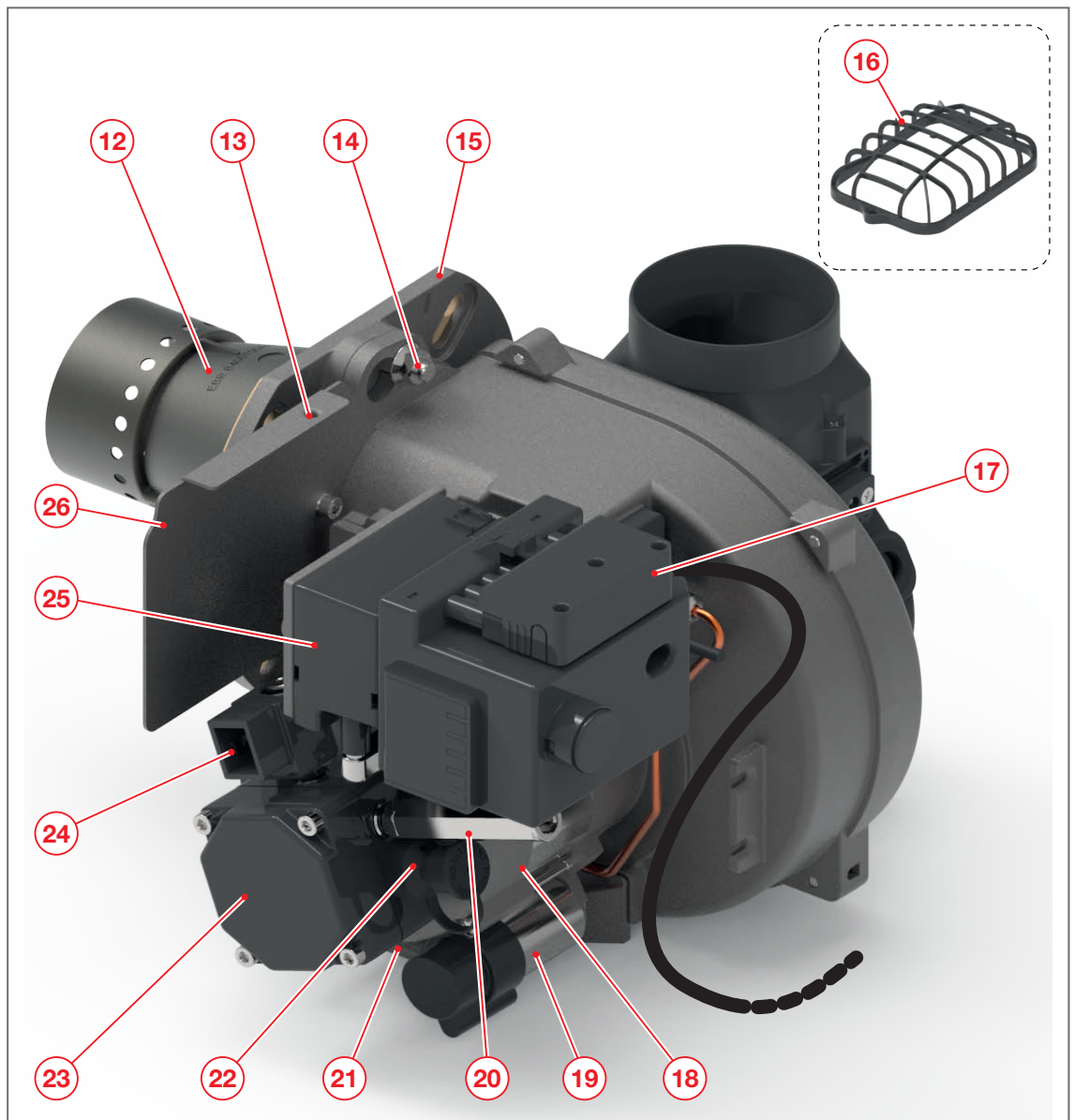


Fig. 2



- |   |                                  |
|---|----------------------------------|
| <b>12</b> Combustion head                     | <b>20</b> Extended pressure port |
| <b>13</b> Cover fixing screw                  | <b>21</b> Burner base            |
| <b>14</b> Burner fixing bolt                  | <b>22</b> Oil pressure regulator |
| <b>15</b> Burner flange (supplied)            | <b>23</b> Fuel-oil pump          |
| <b>16</b> Conventional flue carter (optional) | <b>24</b> Solenoid valve         |
| <b>17</b> Cable kit with 7-pin connectors     | <b>25</b> Ignition transformer   |
| <b>18</b> Electric motor for pump and fan     | <b>26</b> Front panel            |
| <b>19</b> Capacitor                           |                                  |

Fig. 3

## 2.4.2 Structure of the combustion head

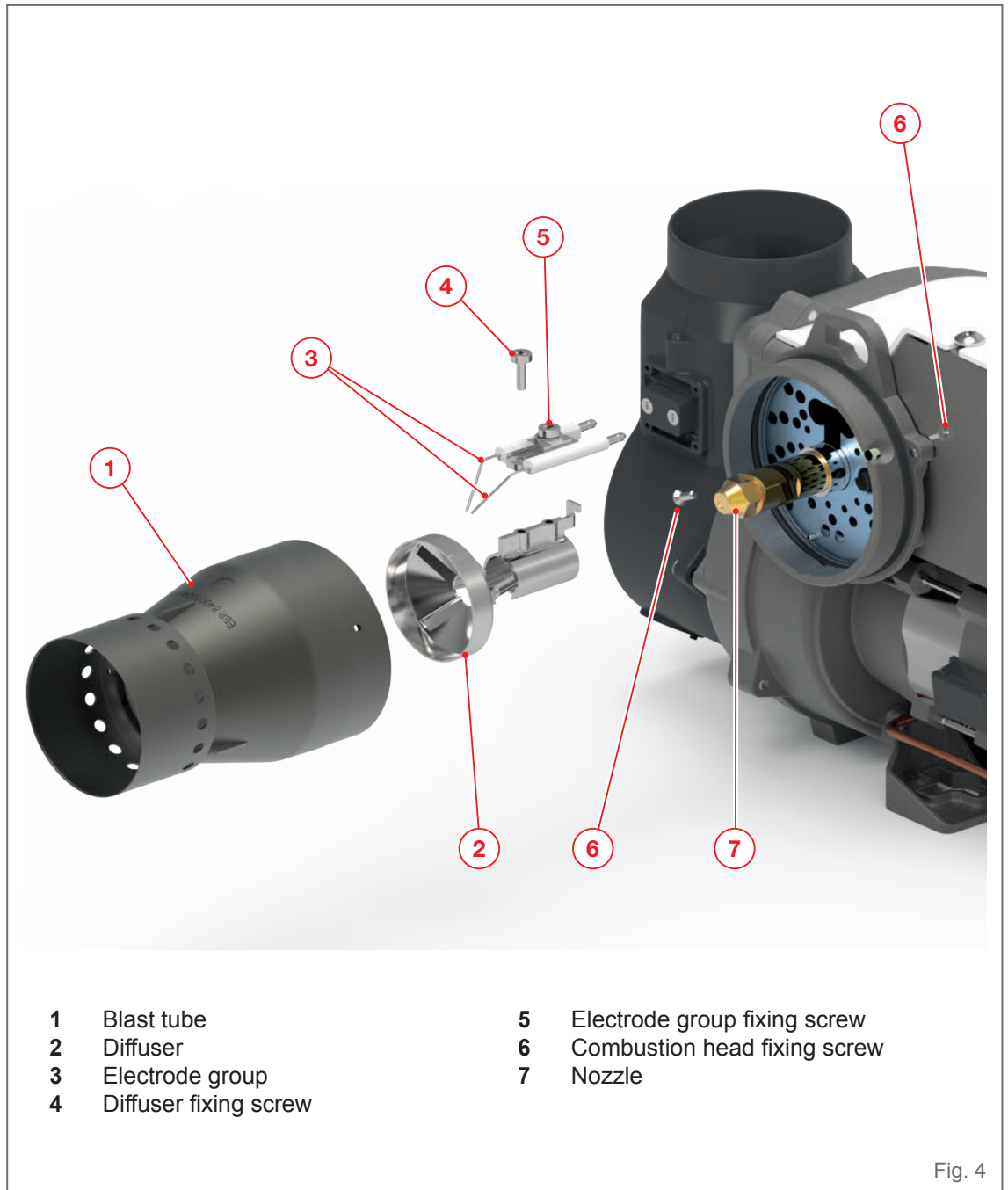


Fig. 4

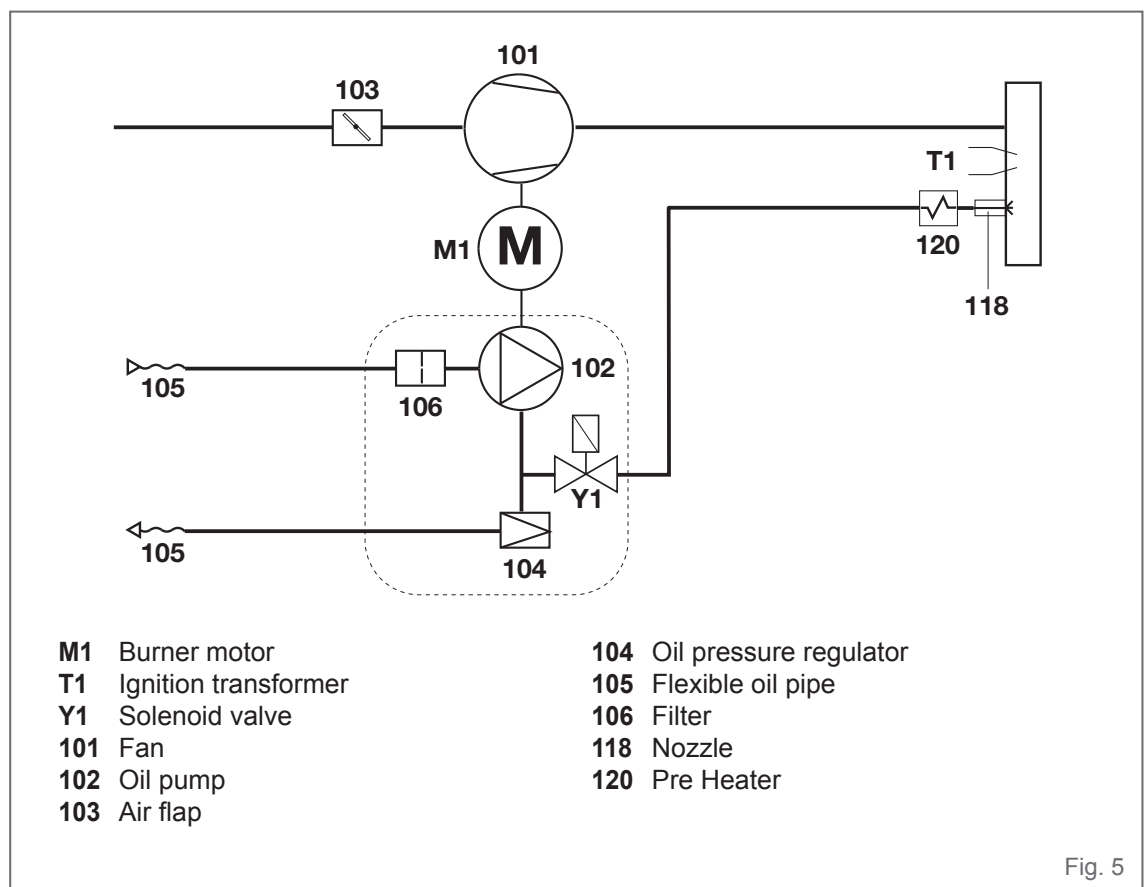
## 2.5 Control box

The EBR-M4 control box, controls and monitors the forced draught burner. The microprocessor-controlled program sequence ensures maximum stability of time periods, regardless of fluctuations in the power supply or ambient temperature.

The design of the control box protects it from the effects of flame outs. Whenever the supply voltage drops below its rated minimum level ( $170 \pm 8$  V), the control box shuts down - even in the absence of a fault signal.

The control box switches itself back on again once the voltage has exceeded the  $190 \pm 8$  V.

## 2.6 Operating logic (Two-pipe system)



### 2.6.1 Operating function

- If heat is requested by the heating controls, the control box starts the program sequence.
- The motor starts, the ignition transformer is switched on and the preventilation period of 15 s commences.
- The pre heater heats the oil in the oil line.
- During the preventilation period, the furnace is monitored for flame signals.
- At the end of the preventilation period, the fuel-oil solenoid valve opens and the burner starts.
- The ignition transformer remains switched off while the burner is in operation.

2.6.2 Controlled shutdown

- Boiler temperature control interrupts heat request.
- The fuel-oil solenoid valve closes and the flame is extinguished.
- The post-ventilation starts: time factory-set at 15 s. After the burner motor switches off.
- Burner enters standby.

2.6.3 Safety function

A safety shutdown occurs:

- if a flame signal is present during preventilation (flame monitoring)
- if no flame is produced within 5 seconds (safety time) of start-up (fuel authorisation)
- if no flame is produced after an unsuccessful restart attempt in the event of 5 flame failures during operation.

A safety shutdown is indicated by the malfunction lamp lighting up and it is then only possible to reset the burner by pressing the reset button after the cause of the malfunction has been rectified. For further information, see the automatic combustion control unit description.

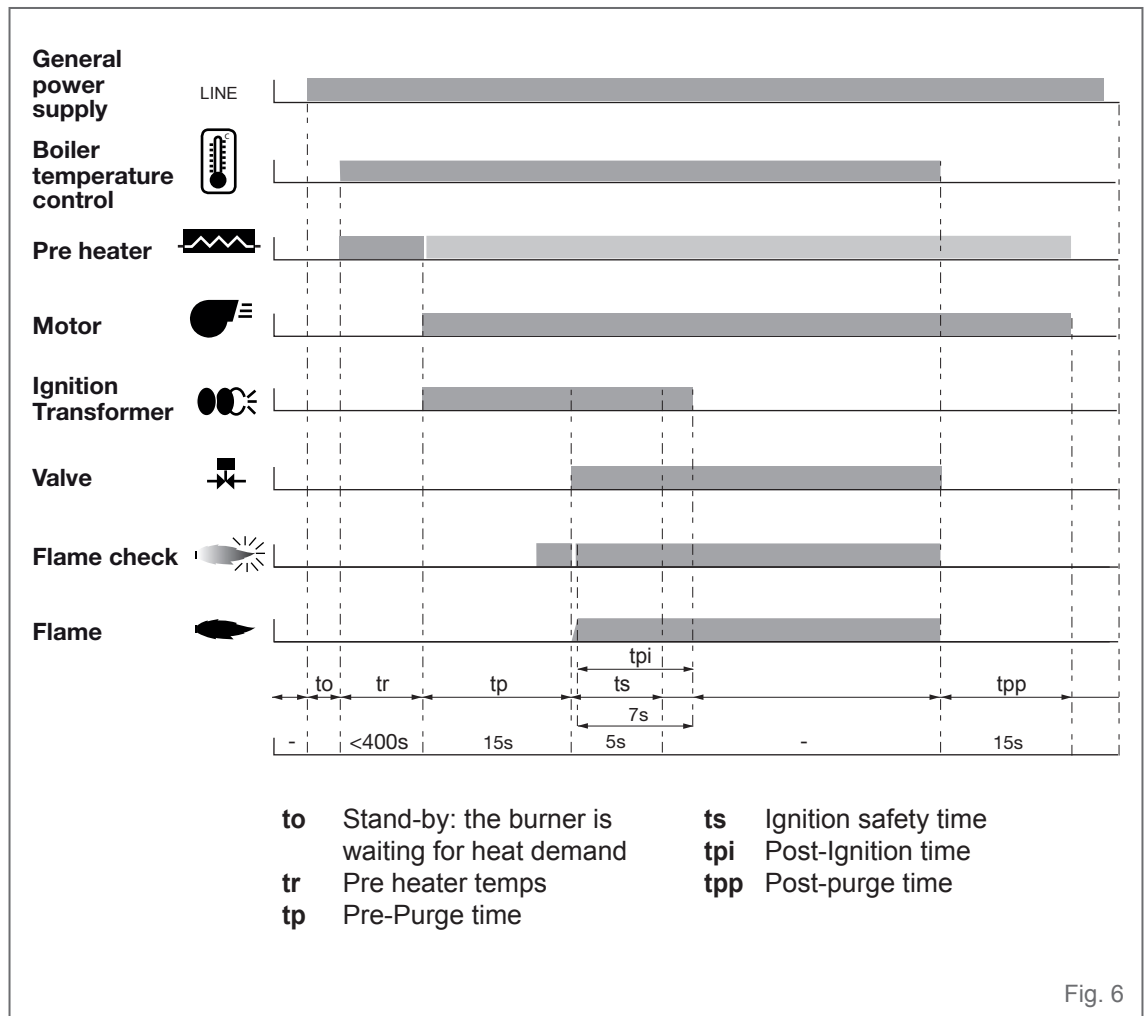


Fig. 6

### 3 TECHNICAL DATA

#### 3.1 Dimensions and weights

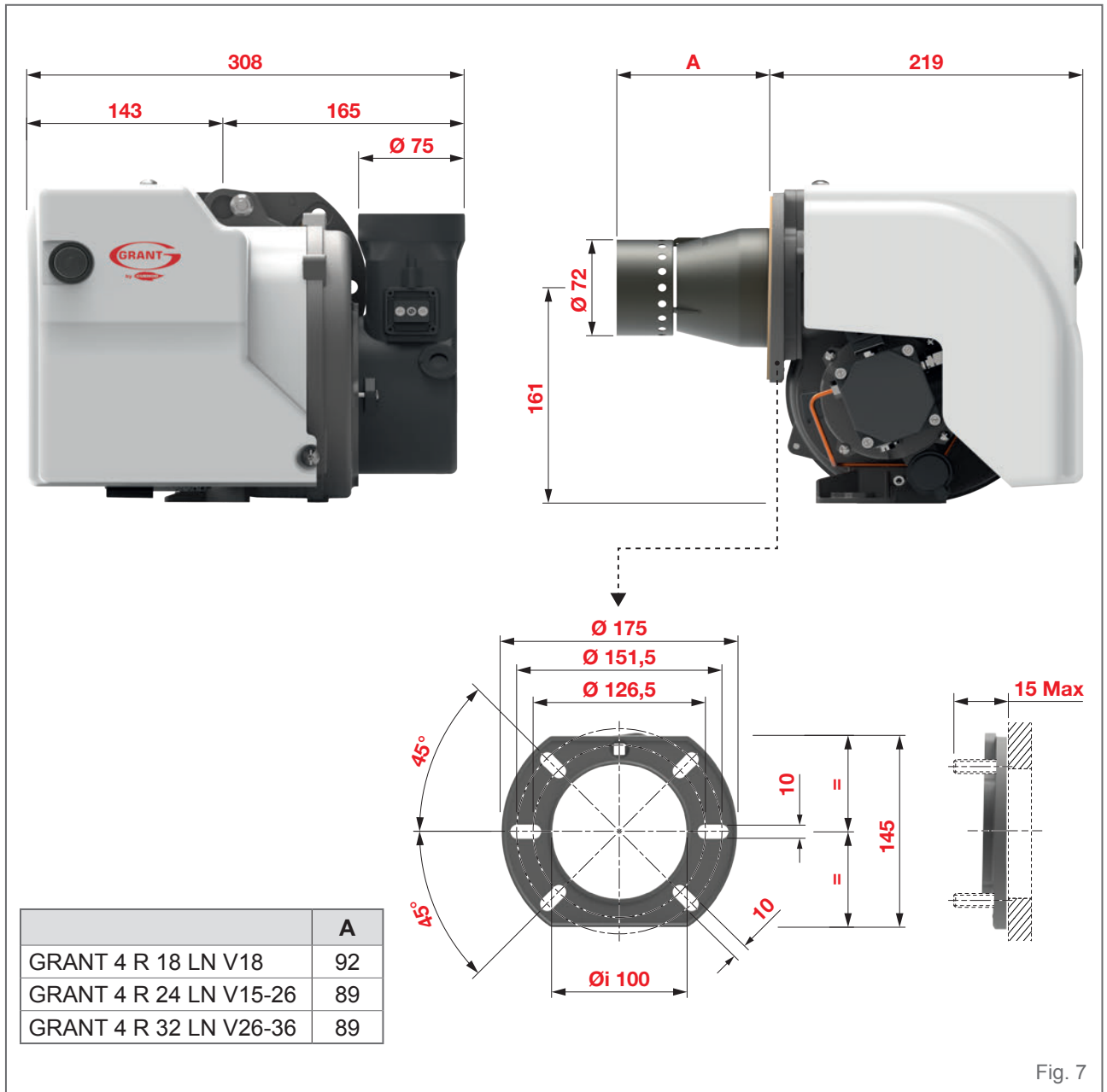


Fig. 7

Model	Weight (kg)	
	net	with packaging
GRANT 4 R 18 LN V18	8,0	9,0
GRANT 4 R 24 LN V15-26	8,0	9,0
GRANT 4 R 32 LN V26-36	8,0	9,0

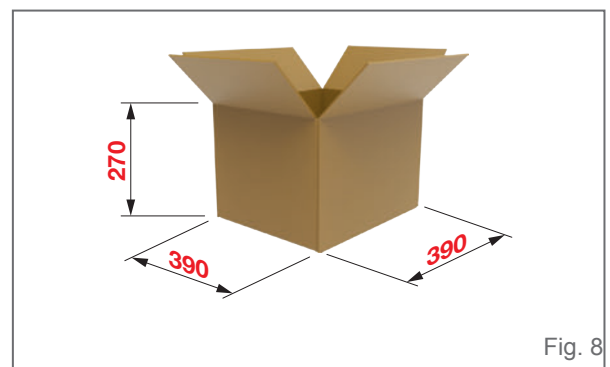


Fig. 8

All measurements are given in millimetres.



### 3.2 Technical data

	GRANT 4 R 18 LN V18	GRANT 4 R 24 LN V15-26	GRANT 4 R 32 LN V26-36
Burner output factory setting <sup>(1)</sup>	19,0 kW	25,2 kW	33,0 kW
	16.337 kcal/h	21.668 kcal/h	28.375 kcal/h
Oil throughput factory setting <sup>(1)</sup>	1,58 kg/h	2,10 kg/h	2,75 kg/h
Fuel oil <sup>(2)</sup>	Light oil, visc 1,6-6 mm <sup>2</sup> /s at (Hi=11,97 kWh/kg)		
NOx emissions	< 120 mg/kWh (according to European Commission Regulation N° 813/2013 and to PR EN267-2016 class 4)		
Control box	EBR-M4 R 15-15		
Flame sensor	Photo resistor Siemens QRB1		
Ignition transformer	Fida 2P 26 kV pp – 35 mA rms		
Fuel-oil pump	Danfoss BFP11 (with coil BFP T85)		
Pump coil	BFP T85		
Electric motor	EBR 90 W, 2800 rpm		
	90 watt		
Capacitor	4 µF		
Electrical supply	1 / 230 / 50 Ph / V / Hz		
Power consumption (operation) (+/- 10W)	205 W	210 W	210 W
Protection level	IP40 (burner with cover)		
Sound pressure level	65 dB(A)		
Ambient temperature for storage	-20°C ... +70°C		
Temperature for use	-10°C ... +60°C		

<sup>(1)</sup> Reference conditions: Ambient temperature 20 °C – Barometric pressure 1013 mbar – Altitude 0 m. a.s.l.



WARNING

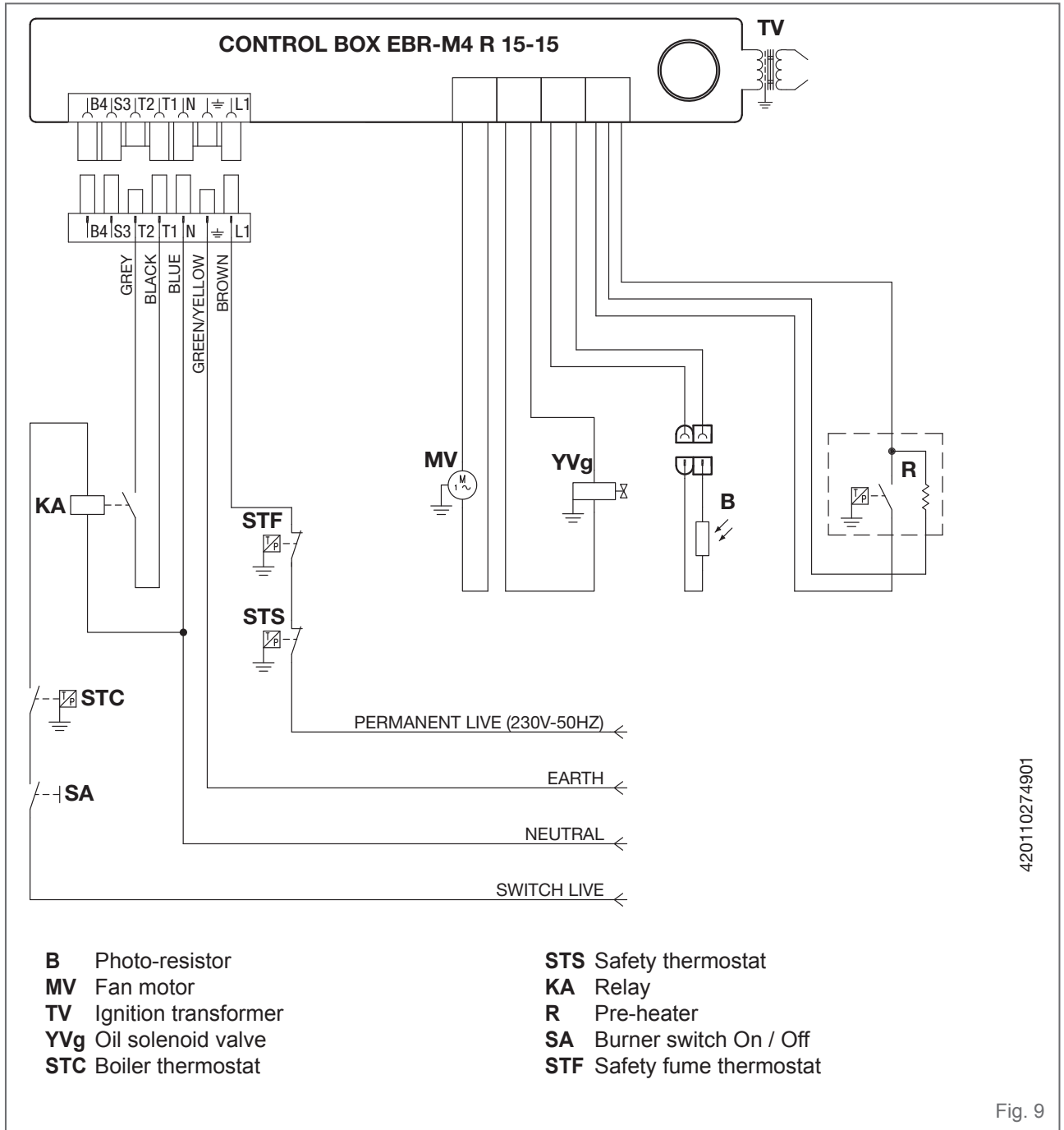
#### WARNING

<sup>(2)</sup> The burner is suitable for light oil with bio content up to 10%. It is a minimum requirement that the fuel blend (up to 10% Bio) is obtained with light oil in accordance with the relevant standards and regional regulations.

In case of Bio oil content higher than 10% please contact the manufacturer.



3.3 Electrical diagram



420110274901

Fig. 9

## 4 INSTALLATION

### 4.1 Safety during assembly

**DANGER****Danger of death!**

- Contact with live electrical components may cause serious incidents.
- Only professionally-trained and qualified personal can operate on the electrical system.
- Before any operation, switch off the power supply to the system by operating the main switch. Check there is no power and ensure restart is impossible.
- In the event of damage to the electrical insulation on the product, act immediately to restore the correct level of insulation.

**WARNING****Danger of death due to contact with fuel oil!**

Risk of lung damage caused by inhalation or ingestion of fuel oil; take the following precautions:

- observe the instructions on the safety data sheets for the fuel oil and any additives (available from the associated suppliers)
- in the event of the formation of an oil mist, use a protective mask with filter for organic vapours and particulate filter
- do not eat, drink or smoke when working on the heating system.

**WARNING****Danger of injury due to contact with fuel oil!**

Repeated and prolonged skin exposure to fuel oil can damage and irritate the skin; take the following precautions:

- as far as possible, avoid contact with the skin
- use personal protective equipment, such as a protective gloves and suitable clothing
- do not put rags soaked with oil in your pockets
- change clothes stained with oil as soon as possible.

**CAUTION**

It may be hazardous to assign activities to personnel that are not sufficiently qualified. It may harm the operators themselves if they perform manoeuvres or operations incorrectly, with a serious impact on personal safety, things and property.

**CAUTION**

Installation, commissioning and maintenance activities must only be carried out by the personnel of dedicated heating companies specifically qualified to perform these tasks.

**CAUTION**

Operators should explain to the proprietor and person responsible for the domestic heating system the burner is installed on, the importance of ensuring good inflow of combustion air and combustion product evacuation. They should also highlight that no modification should be made to the heating system (comprised of air intake, burner, boiler and flue pipe) that could alter the correct operation of the system.

## 4.2 Installation area

Before installation, make sure that the installation area satisfies the following requirements:

- operating temperature between +5°C and +45°C
- dry, frost resistant, well-ventilated
- no accumulation of heavy powders
- no high levels of humidity
- no atmospheric pollutants created by halogenated hydrocarbons (contained in solvents, adhesives, aerosols, etc.)
- no atmospheric pollutants created by sulphurous gases
- no vibration.



### **WARNING**

#### **Danger of death caused by fire!**

Highly flammable materials or liquids can catch fire

- do not use or store explosive or highly flammable substances (such as petrol, paint, paper, wood, etc.) in the installation area of the appliance
- do not dry clothing within the boiler installation area
- do not use the equipment in an explosive atmosphere.



### **CAUTION**

Flammable materials or liquids should not be stored or used near the burner.



### **IMPORTANT INFORMATION**

Failure to observe these instructions will invalidate the warranty with respect to any damages caused by any of these causes.

### 4.2.1 Flue gas system

Before installation, check the design suitability of the combustion flue system with respect to the type of boiler to be installed and with respect to the applicable standards and regulations.



### **CAUTION**

Operators should explain to the proprietor and person responsible for the domestic heating system the burner is installed on, the importance of ensuring good inflow of combustion air and combustion product evacuation. They should also highlight that no modification should be made to the heating system (comprised of air intake, burner, boiler and flue pipe) that could alter the correct operation of the system.

## 4.3 Assembly tools

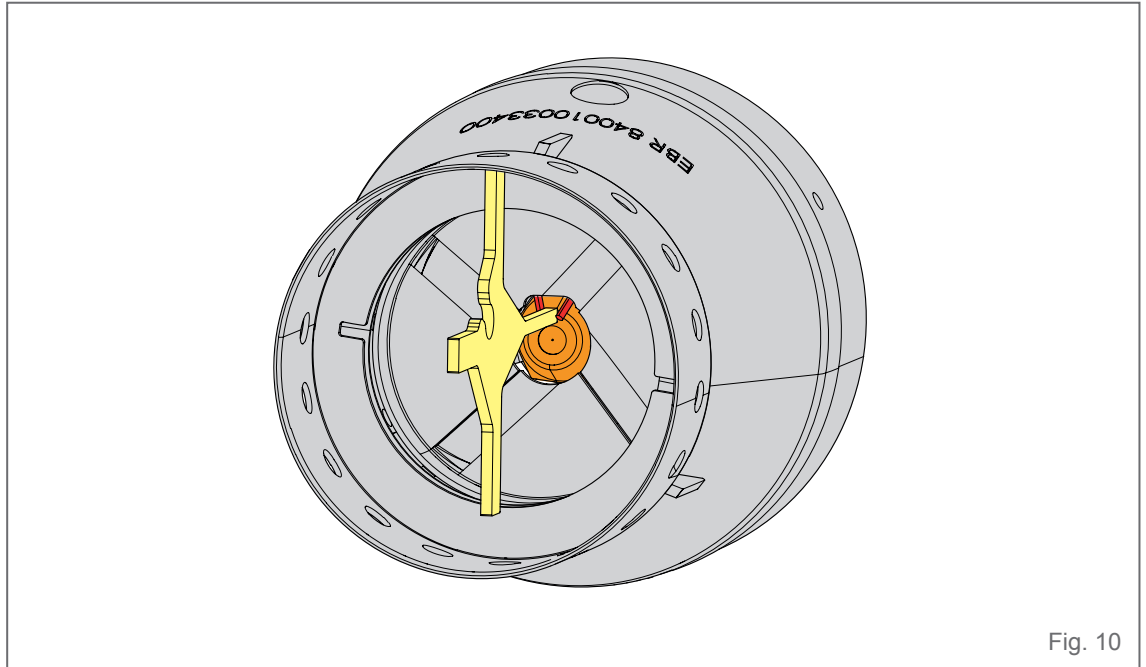
The most common and frequent operations on the burner are carried out simply using only the hex key supplied. This key can be used to:

- remove the burner cover (if it present)
- remove the diffuser
- adjust the electrodes group
- adjust the fuel pressure
- adjust the air setting
- operate on the pump.

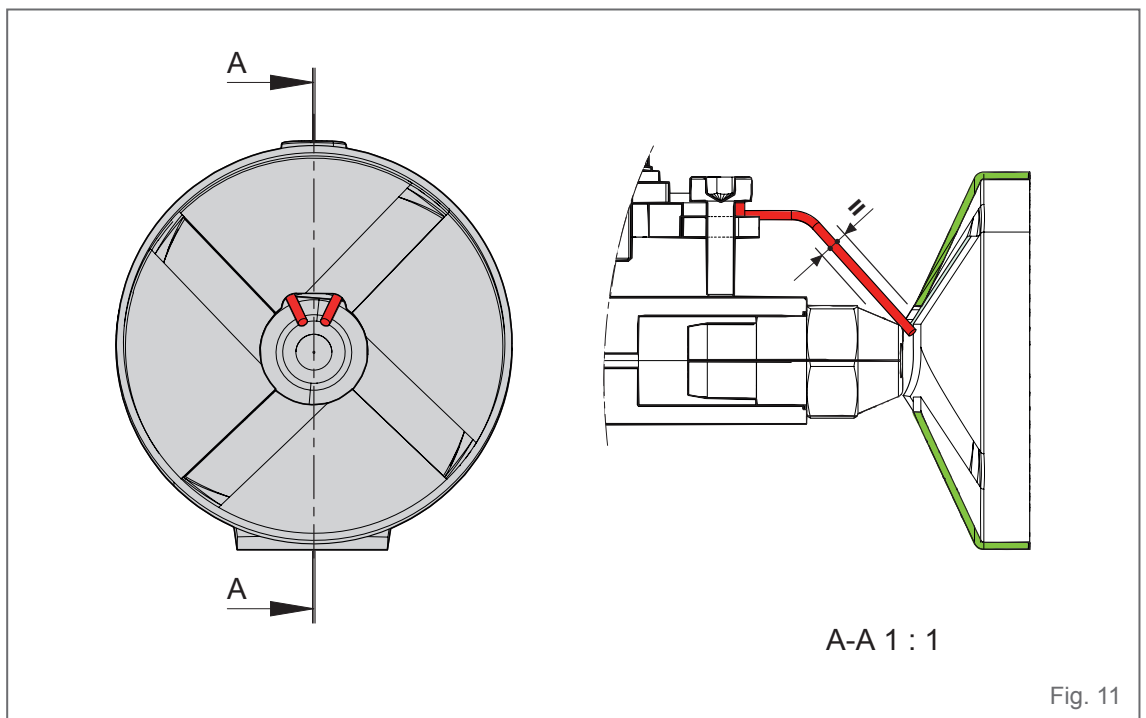
#### 4.4 Preliminary checks before mounting the burner

Before mounting the burner onto the boiler:

- check the distance between tips of electrodes (2 mm)



- Check the position of the electrodes assuring that they are centered as shown in "Fig. 11".



**4.5 Burner assembly**

**CAUTION**

Install the burner on the boiler according to the installation position shown in “Fig. 12”. Installation 2,3 and 4 are forbidden for safety reason.

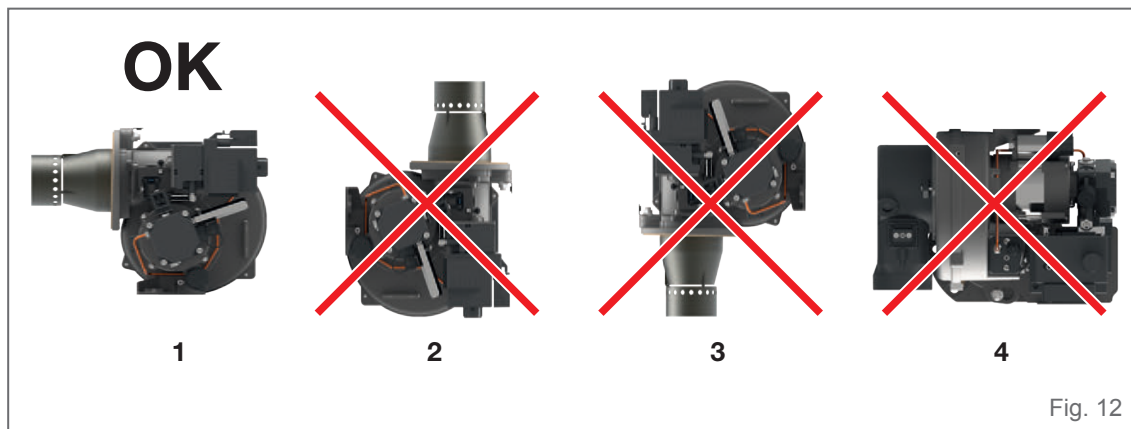


Fig. 12

The burner is secured to the boiler using the connection flange supplied with the burner. Follow the instructions below:

- couple the gasket (2) supplied with the connection flange (1).

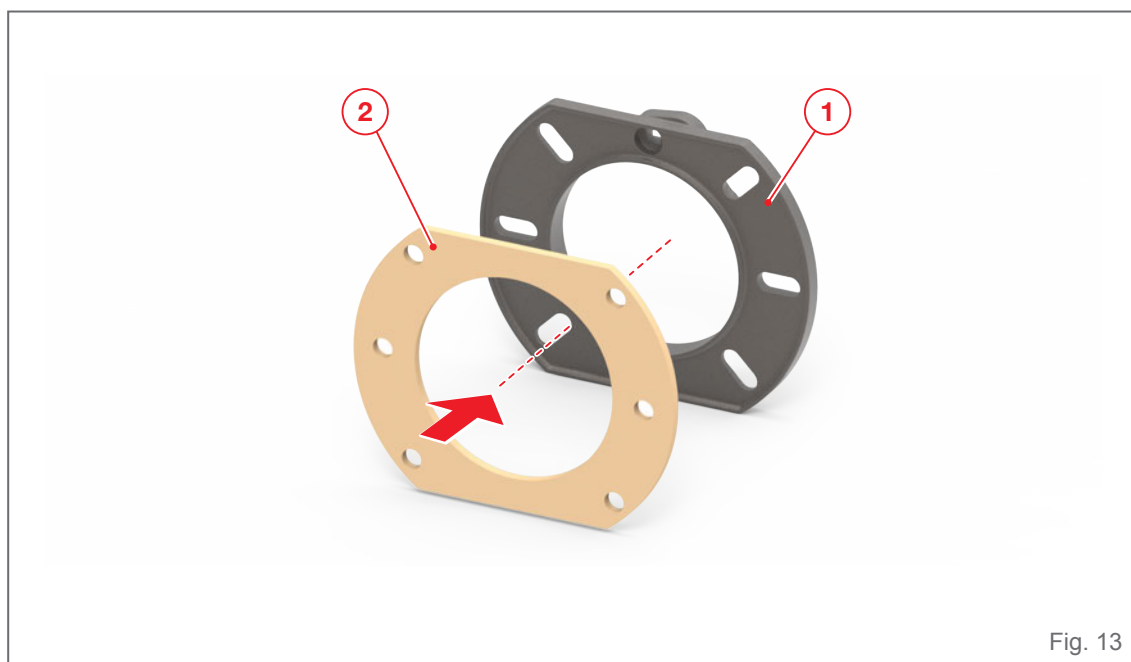
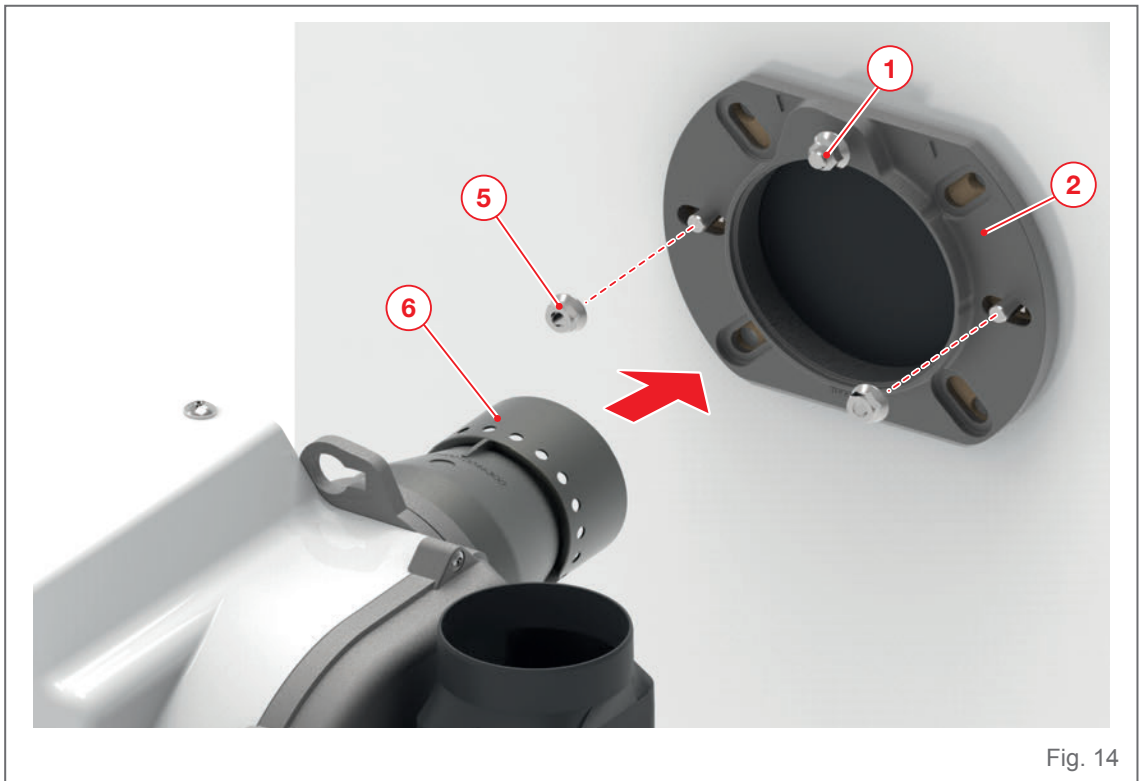
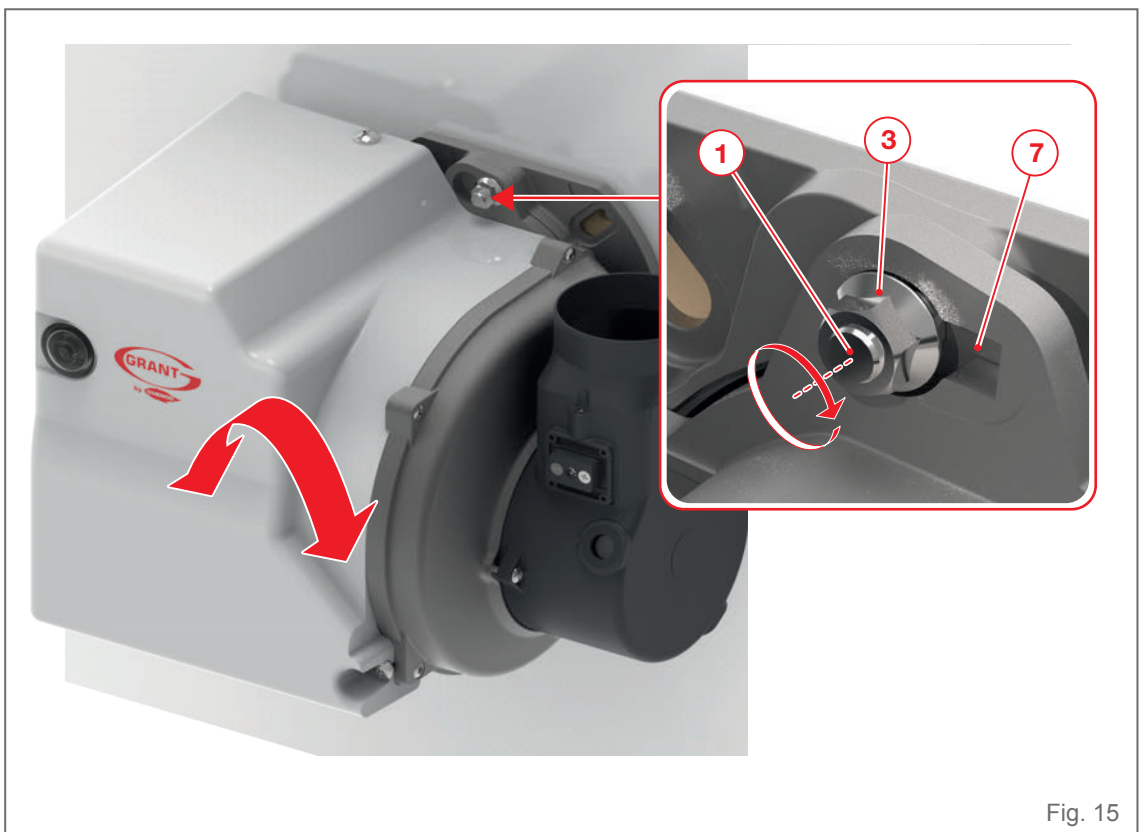


Fig. 13

- position the flange (2), with the screw (1) facing upwards, onto the boiler and secure it with the nuts (5) supplied
- **tighten the nuts (5) of the flange evenly with a tightening torque of 3,5 Nm max.**
- insert the burner combustion head (6) with care inside the flange



- rotate the burner first to the right and then to the left to insert the fastening screw (1) into the housing (7) on the burner
- fully tighten the nut (3) and at the same time press the burner in the lower part towards the boiler to ensure maximum seal between the burner itself and the boiler



- insert the air intake pipe (8) and secure it using a pipe clamp (9), not supplied
- in case of conventional flue applications remove snorkel and air conveyor (10) and replace with the conventional flue carter (11) (optional).

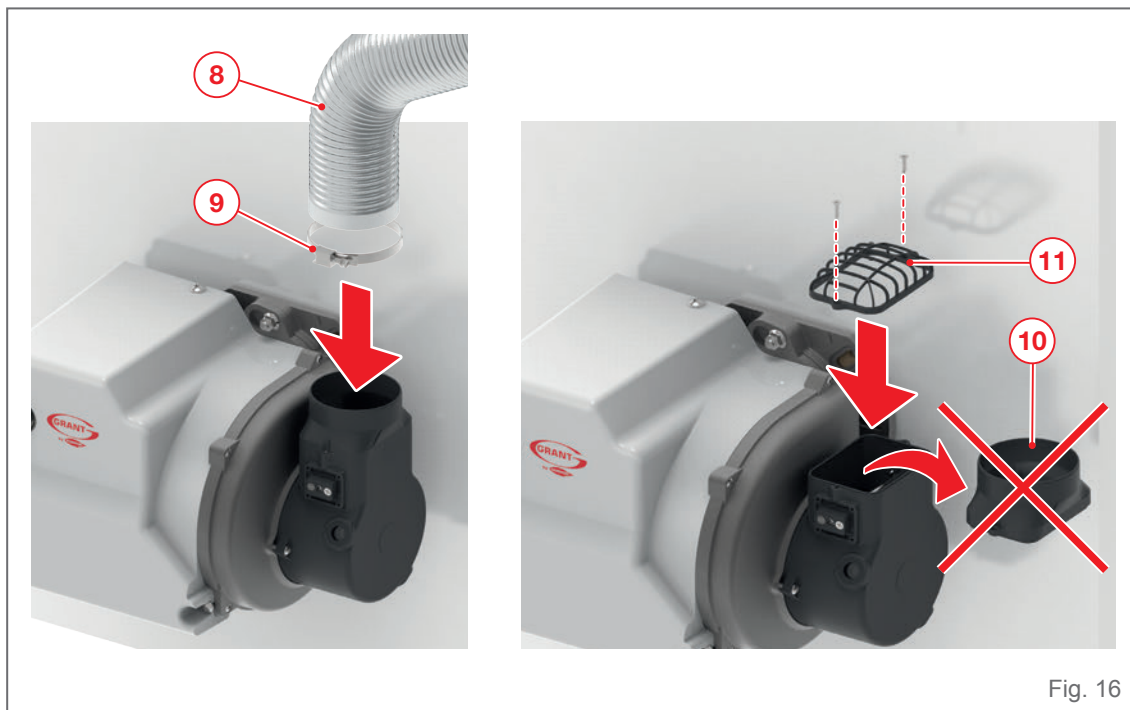


Fig. 16

## 4.6 Removing and fitting the burner cover

- To remove the burner cover, loosen the two screws (1) and then slide out the burner cover (2) taking care not to damage it.
- To refit it, invert the procedure above.

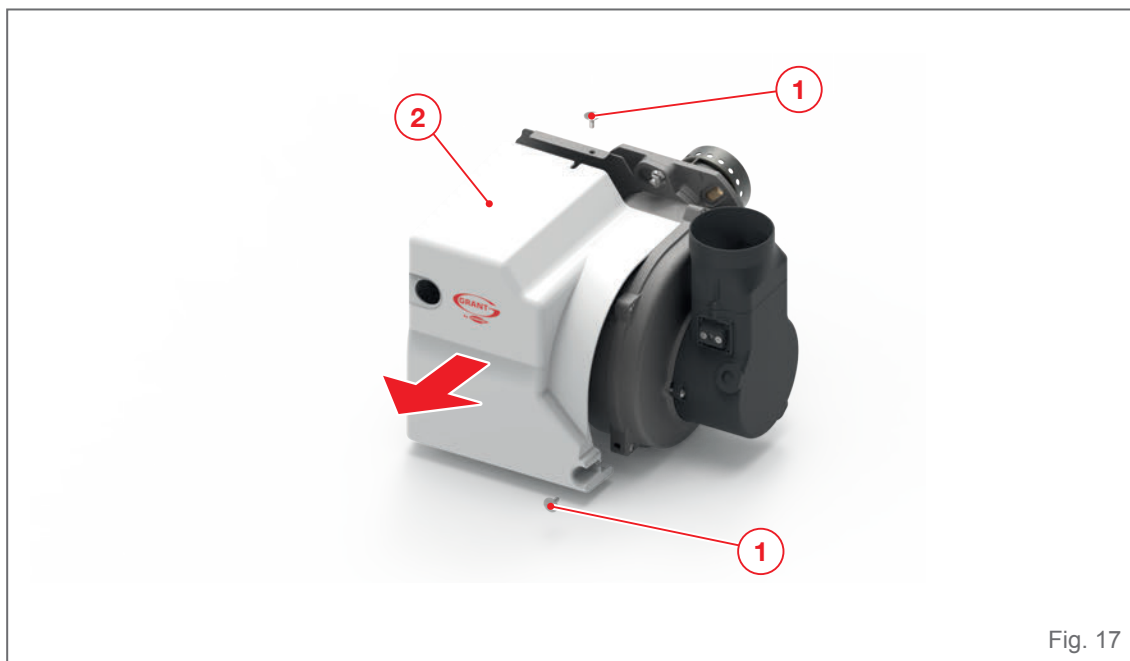


Fig. 17

## 4.7 Oil systems



### FUEL LEAKS

- Fuel leaks may cause fire to break out.
- They may be toxic via inhalation and cause skin irritation.
- Act swiftly to remove the cause of the leak. If it is connected to a maintenance operation, use the dedicated personal protective equipment.



### WARNING

#### Danger of injury from gas in the atmosphere!

To prevent the formation of gas caused by worst combustion/deflagration:

- when filling the tank, switch off the burner and leave it switched off for approximately 3 hours to ensure degassing of the fuel and the deposit of suspended particles
- have any damage to the oil pipes repaired immediately by a specialised technician
- never operate the burner with the oil tank empty.



### IMPORTANT INFORMATION

Corresponding legislation pertaining to water resources and the installation of fuel pipes must be observed.



### IMPORTANT INFORMATION

Leaks in the fuel supply system can cause combustion problems and malfunctions in the burner.

The fuel tank, including the installation of the pipes, must be carried out in such a way as to ensure that the temperature of the oil going into the burner is at least + 5°C.

When the burner is replaced, also replace the fuel filter.



## 4.7.1 Hydraulic diagram

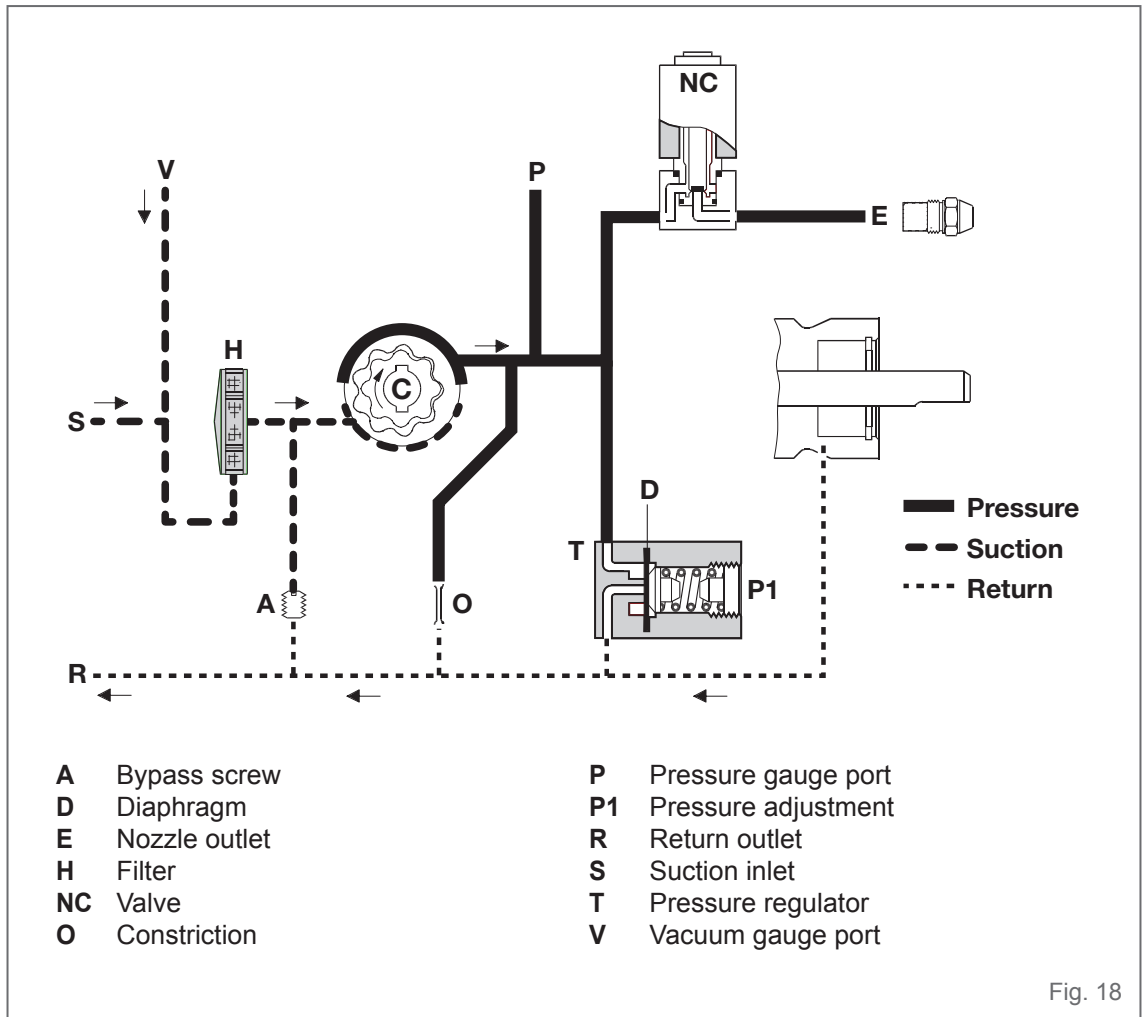


Fig. 18

## 4.7.2 Oil pump

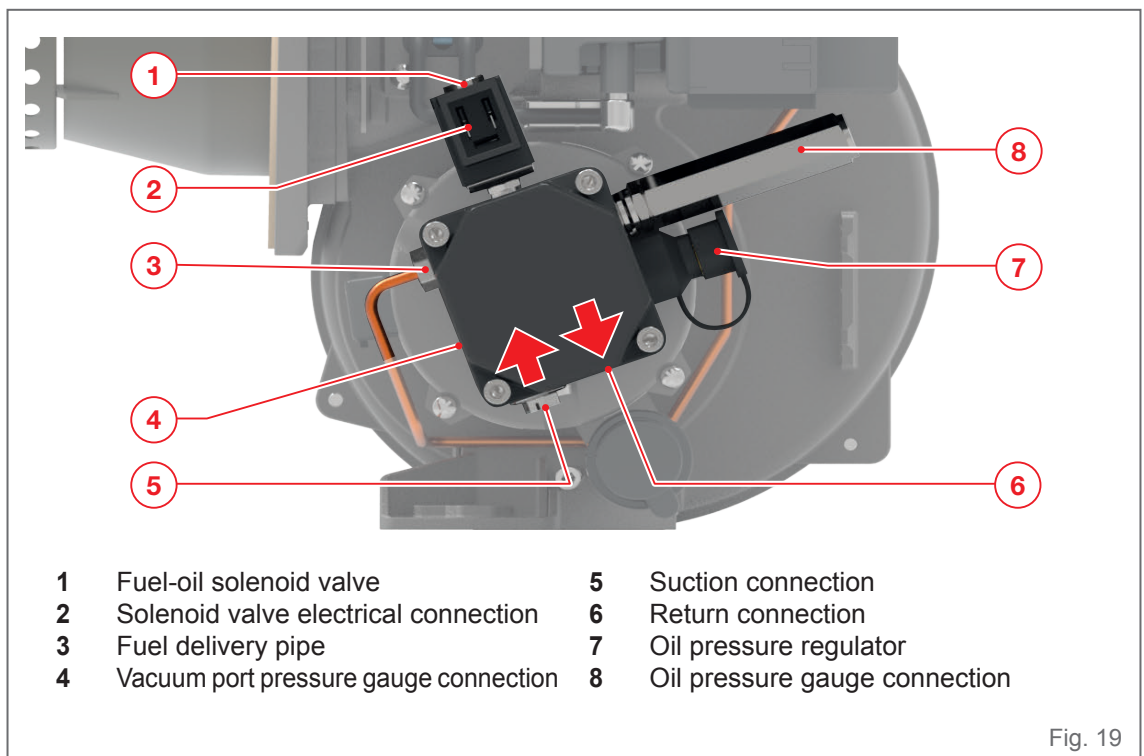


Fig. 19

### • Two-pipe system (standard)

The pump is supplied for operation with two pipes.

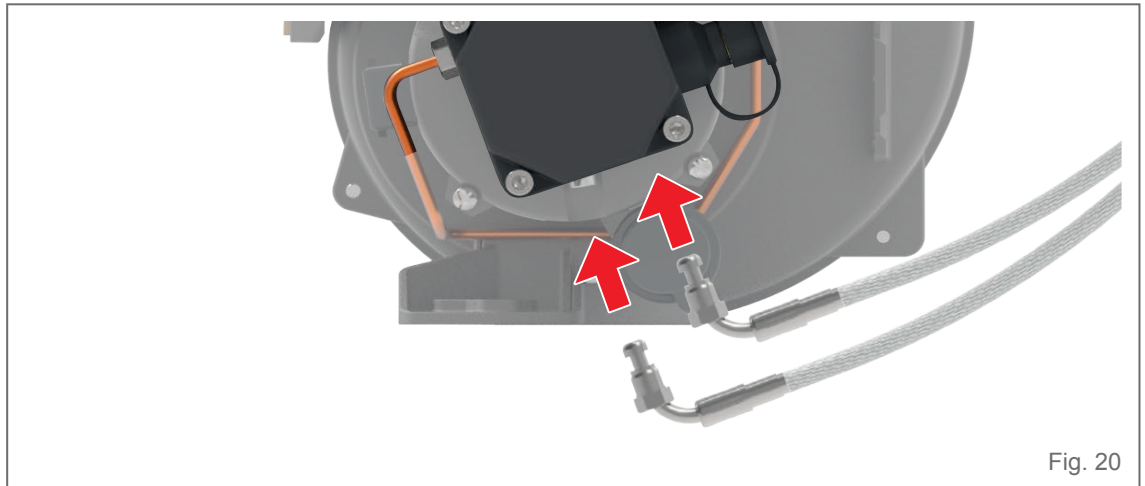


Fig. 20

### • One-pipe system (optional)

For one-pipe operation it is necessary to install the by-pass washer supplied with the burner. In case of one-pipe system only one flexible oil pipe is required.

To apply the by-pass washer kit, proceed as follows:

- remove the flexible oil pipe (15) from the pump and close the threaded hole with the steel cup supplied with the kit
- unscrew the four screws (17) and remove the cover (16) from the pump
- unscrew screw (11) and add the by-pass washer (10) supplied with the kit
- fasten the screw (11) and fix the cover (16) with the four screws (17).

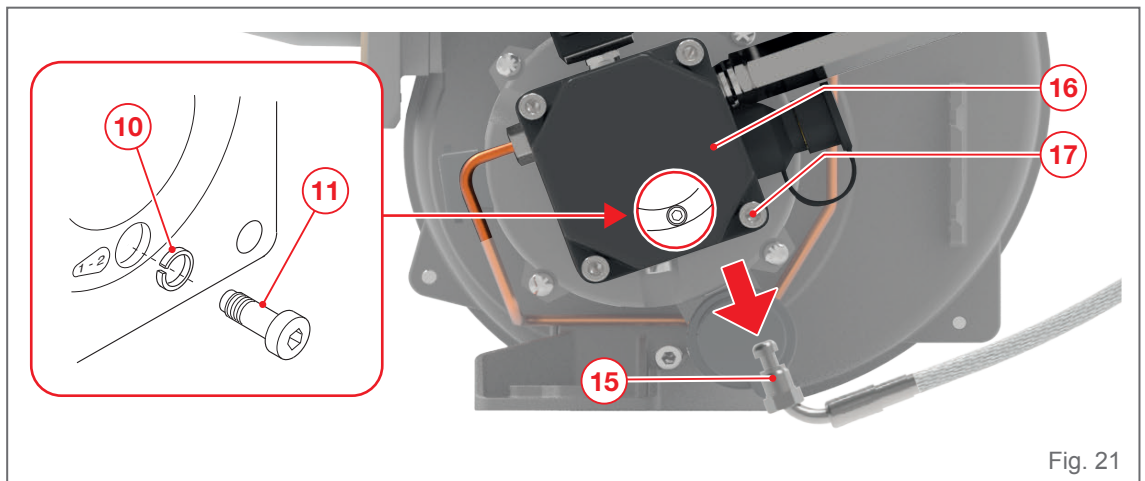


Fig. 21



#### IMPORTANT INFORMATION

There is an intake filter and an oil pressure regulator integrated in the pump. Pressure gauges for negative pressure (vacuum) measurement must be connected before the equipment is commissioned.



CAUTION

#### CAUTION

- Only approved fuel lines are to be used.
- In case of one-pipe systems only one flexible pipe is required.

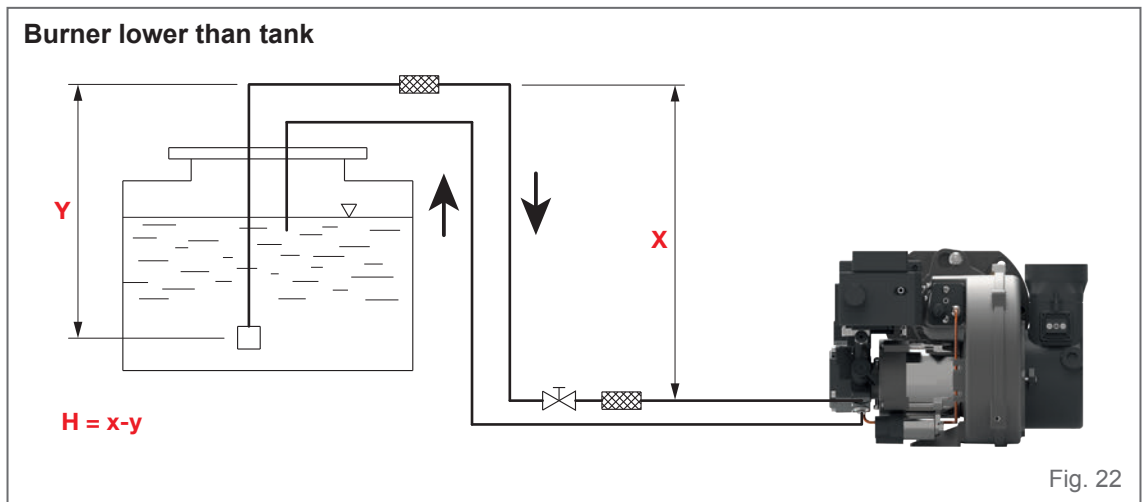


CAUTION

#### CAUTION

Before starting the burner, check that the return pipe is open. An eventual obstruction could damage the pump sealing device.

### 4.7.3 Oil feed and suction line with two-pipe system



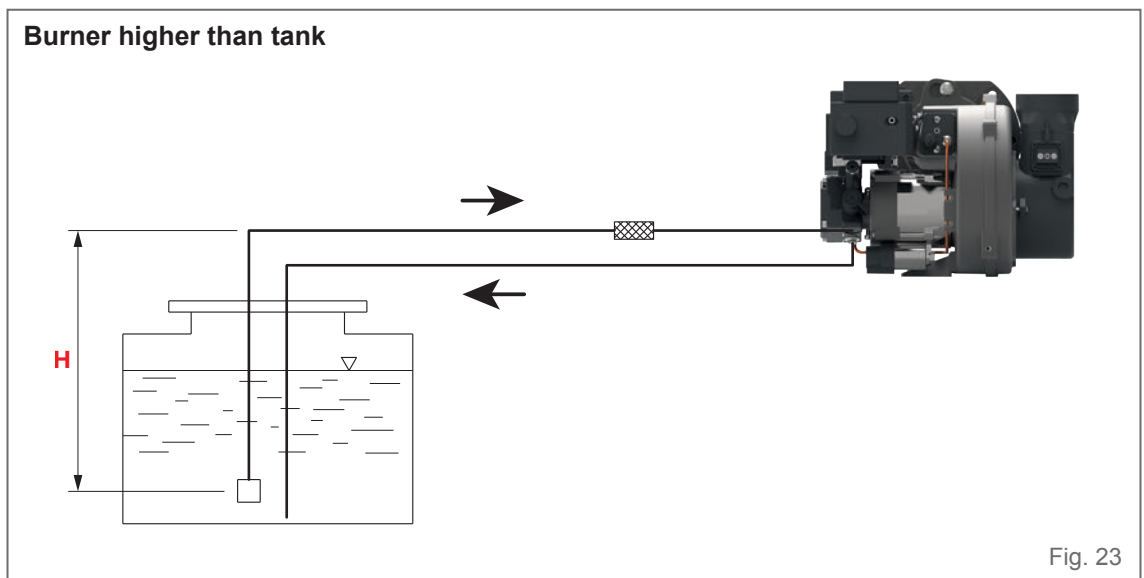
H (m)	Pipe length (m)		
	Ø6 mm	Ø8 mm	Ø10 mm
0,5	19	60	100
1	21	66	100
1,5	23	72	100
2	25	79	100

H (m)	Pipe length (m)		
	Ø6 mm	Ø8 mm	Ø10 mm
2,5	27	85	100
3	29	91	100
3,5	31	98	100
-	-	-	-



**CAUTION**

- X < 20 m
- Y must be kept as lower as possible in order to avoid cavitation. Anyway Y < 4 m.



H (m)	Pipe length (m)		
	Ø6 mm	Ø8 mm	Ø10 mm
0,5	15	47	100
1	13	41	99
1,5	11	34	84
2	9	28	68

H (m)	Pipe length (m)		
	Ø6 mm	Ø8 mm	Ø10 mm
2,5	7	22	53
3	5	15	37
3,5	-	9	22
-	-	-	-

**DANGER**

The length of the pipe apply to burners powered by 50 Hz mains electricity; in case of 60 Hz powered, divide the relevant length by 0.5.

Correction of altitude Pump in suction (H +) or charging (H -)	
Altitude (m)	Theoretical H (m)
0-500	0
501-800	0,5
801-1300	1,0
1301-1800	1,5
1801-2200	2,0

e.g.: altitude 1100m Theoretical H = 1m actual 2m, Corrected H for suction  $2 + 1 = 3\text{m}$  Corrected H for charging  $2 - 1 = 1\text{m}$ .

Choose the  $\varnothing$  of the piping from the table, based on the length expanded between the tank and pump. If corrected H for suction exceed 4m; make provisions for a transfer pump (max. pressure 2 bar)

## 4.8 Electrical connection

**DANGER****Danger of death caused by live components!**

Contact with live parts can lead to serious injury, take the following precautions:

- ensure that the power is switched off for all electrical parts
- electrical wiring installation must be carried out by qualified personnel and in compliance with the regulations currently in force in the country of destination. Refer to the wiring diagrams.



CAUTION

**CAUTION**

- The electrical installation should include a minimum of a type A MCB.
- Check to ensure that the power supply voltage is as specified in the electric diagram and in data plate.
- Burner fuse: 3 Amps.



WARNING

**WARNING**

- Use flexible cables in compliance with the EN 60 335-1 standard. Assure a correct earth connection.
- The wiring section must be minimum  $1\text{ mm}^2$  (in any case verify with the standard and local rules).
- This control flame is equipped with the post ventilation function. Other versions of the burner are not to be fitted.
- Check operation of boiler thermostatic control.
- Check operation of Photocell by withdrawing from burner and then covering to simulate flame out condition.

### 4.8.1 Electrical connection to the boiler

Burner **GRANT 4 R LN V** leaves the factory configured for connection to a 7 pin electrical cable. A 7 pins electrical cables is also supplied.

Proceed as follows to connect the burner to the boiler:

- connect the cable coming from the boiler to the 7 pins plug (1) (supplied).

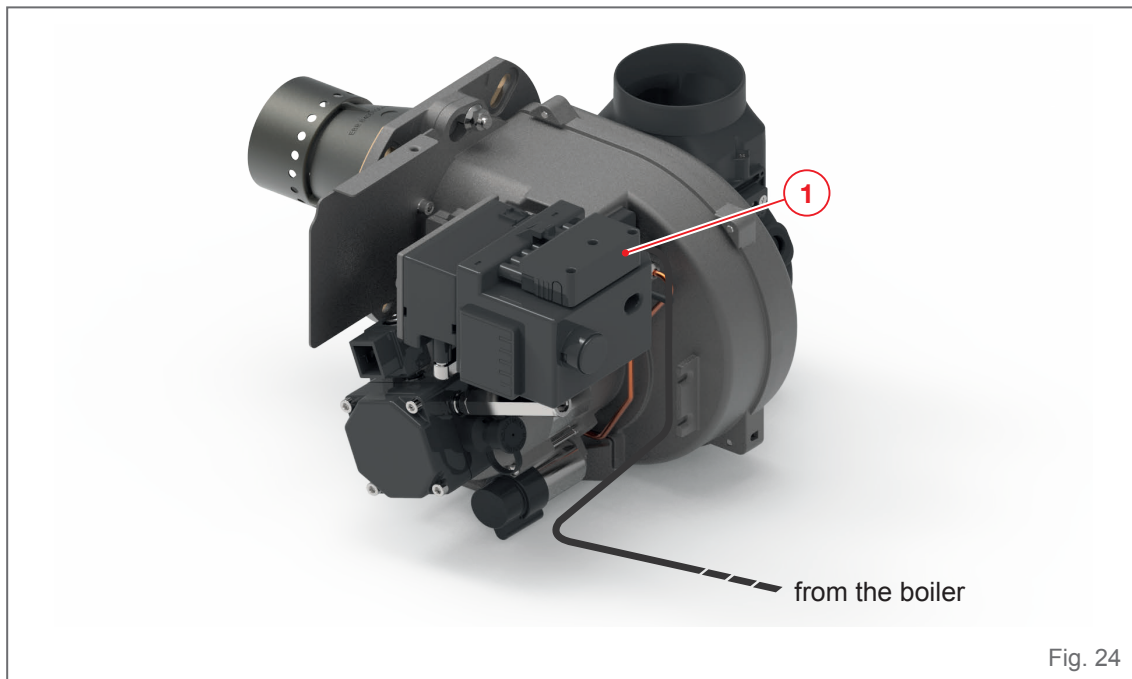


Fig. 24

## 4.9 Removing the burner



### **DANGER**

#### **Danger of death caused by live components!**

Before carrying out any operations on the burner, operate the main power switch for the system to cut off the power supply.

If it becomes necessary to remove the burner, proceed as follows:

- close the fuel taps upstream of the burner
- detach the 7 pins plug (1) from the burner

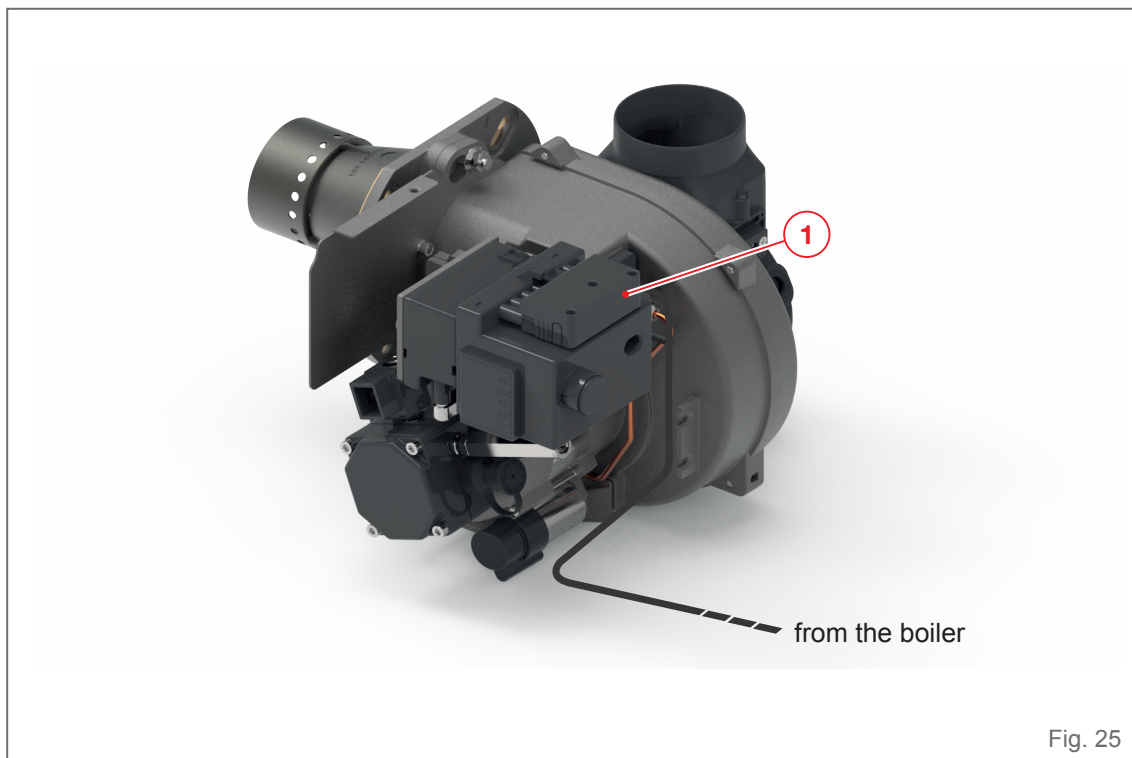


Fig. 25

- remove the fuel delivery pipe (2) and the return pipe (3)

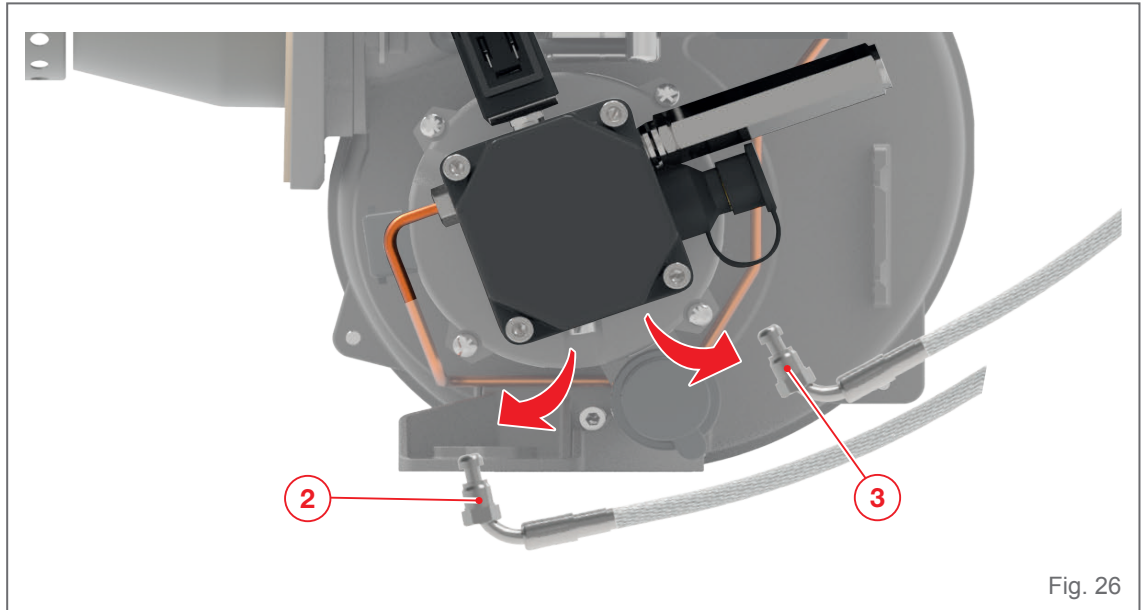


Fig. 26

- drain any fuel still inside the burner and in the fuel delivery pipe and collect it in a basin
- loosen the pipe clamp (7) and remove the air intake pipe (8), if present

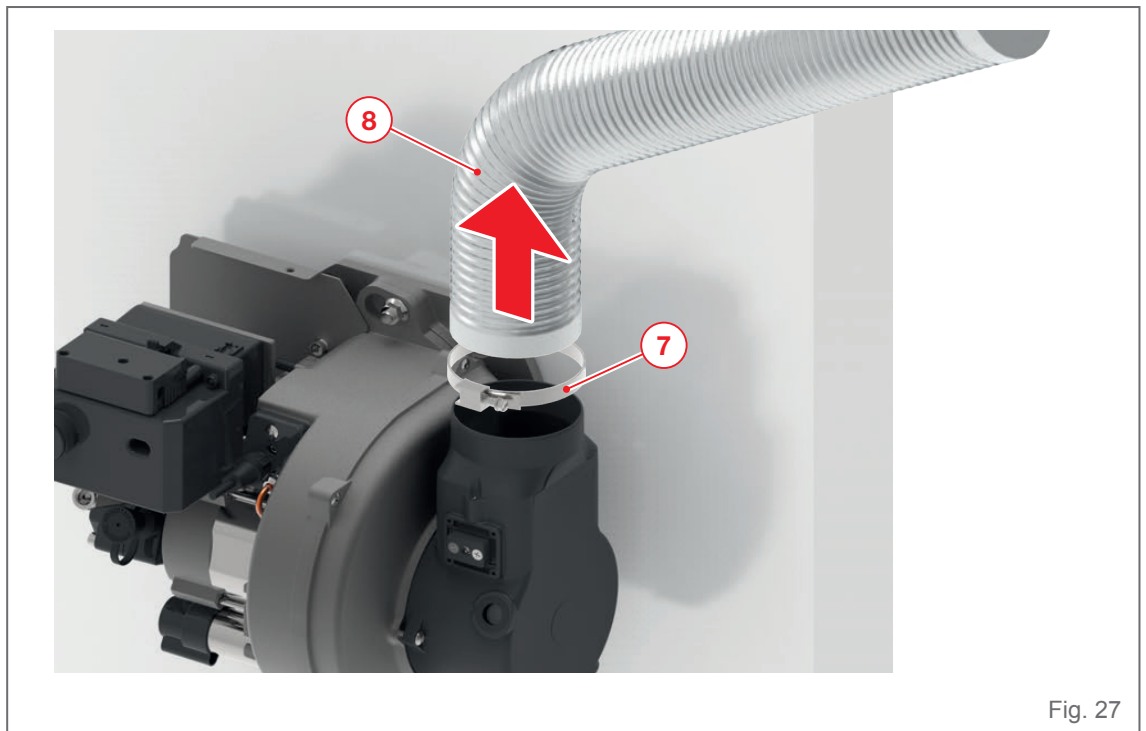


Fig. 27

- loosen the nut (9) securing the burner to the boiler and, rotating the burner (10) slightly to the right, slide it off the boiler.

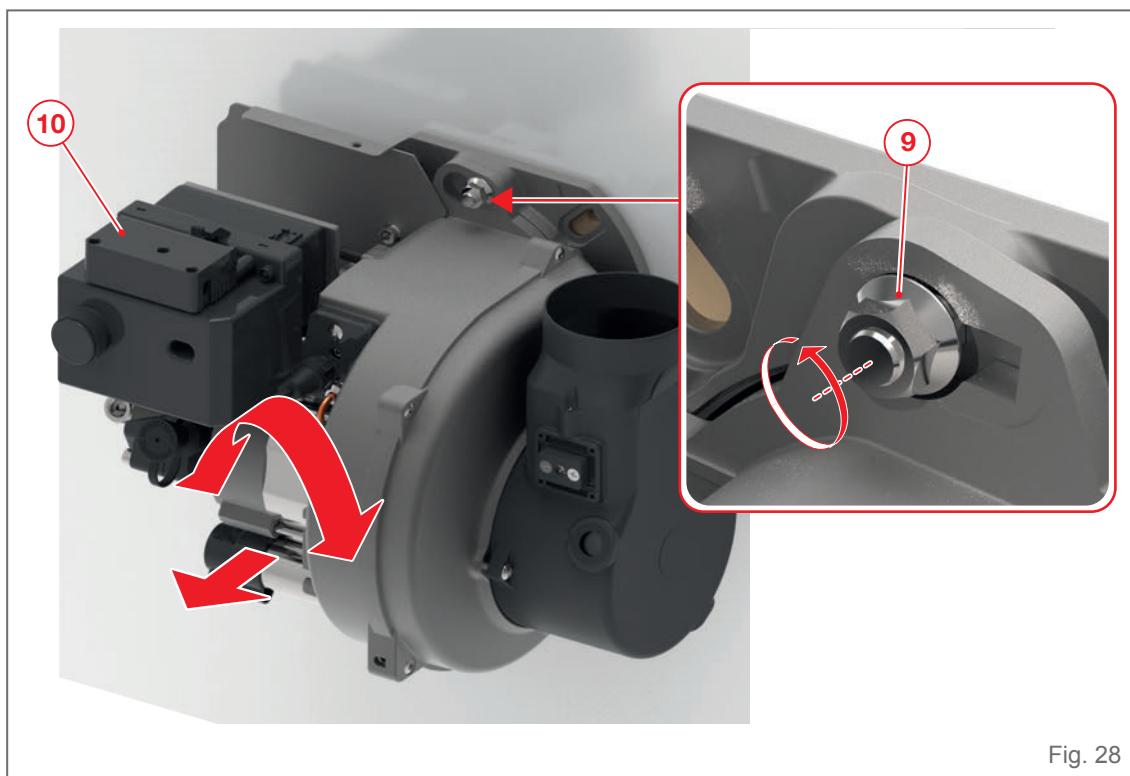


Fig. 28



CAUTION

**CAUTION**

Dispose of any fuel that comes out of the burner in accordance with applicable legislation in the destination country. Separated waste management avoids potential damage to the environment and peoples' health. It also allows many recyclable materials to be recovered, with significant economic and energy savings.



## 5 COMMISSIONING

### 5.1 Safety during commissioning



**CAUTION**

It may be hazardous to assign activities to personnel that are not sufficiently qualified. It may harm the operators themselves if they perform manoeuvres or operations incorrectly, with a serious impact on personal safety, things and property.



**CAUTION**

Installation, commissioning and maintenance activities must only be carried out by the personnel of dedicated heating companies specifically qualified to perform these tasks.



**CAUTION**

**Hot surfaces - Risk of burns!**

- Contact with components at high temperatures may cause more or less serious superficial burns.
- Operators should wear suitable clothing and personal protective equipment.
- They should ensure that all components are at ambient temperature before carrying out any maintenance operations.



**FUEL LEAKS**

- Fuel leaks may cause fire to break out.
- They may be toxic via inhalation and cause skin irritation in some individuals.
- Act swiftly to remove the cause of the leak. If it is connected to a maintenance operation, use suitable personal protective equipment.

### 5.2 Factory pre-setting

Burner	Boiler output	Nozzle (Danfoss)		Pump*	Oil throughput	Combustion head position (A - Fig. 46)
		gph	spray			
Model	kW			bar	kg/h (±4%)	mm (±0,2)
GRANT 4 R 18 LN V18	18	0,40	80°S	13,0	1,58	26,3
GRANT 4 R 24 LN V15-26	24	0,55	80°S	11,0	2,10	26,0
GRANT 4 R 32 LN V26-36	32	0,65	80°S	12,0	2,75	27,2

**Reference conditions**

- Conventional Flue system: diameter 80 mm / length 1,5 m.
- Altitude 0 m a.s.l.

(\*) The pump pressure is referred to a stability period of 5 min.

**Note.**

All the burners are factory tested and adjusted. The air flap and combustion head are set to have the CO<sub>2</sub> % ± 0,2 within the above limit, considering ambient temperature at the time of testing.



**5.2.1 Altitude settings**

Data shown in the table at page 32 are to be considered when the burner is operating in a range of altitude from 0 to 500 m a.s.l.

When operating at higher altitudes, due to air density decrease, the burner needs to be set according to the following tables:

INSTALLATION ALTITUDE: 500 - 1000 m					
Burner	Boiler output	Nozzle (Danfoss)		Pump*	Combustion head position (A - Fig. 46)
		gph	spray		
Model	kW	gph	spray	bar	mm (±0,2)
GRANT 4 R 18 LN V18	16,3	0,40	80°S	11,5	26,3
GRANT 4 R 24 LN V15-26	22,0	0,55	80°S	10,0	26,0
GRANT 4 R 32 LN V26-36	29,3	0,65	80°S	10,2	27,2

INSTALLATION ALTITUDE: 1000 - 1500 m					
Burner	Boiler output	Nozzle (Danfoss)		Pump*	Combustion head position (A - Fig. 46)
		gph	spray		
Model	kW	gph	spray	bar	mm (±0,2)
GRANT 4 R 18 LN V18	15,8	0,40	80°S	11,0	26,3
GRANT 4 R 24 LN V15-26	21,2	0,55	80°S	9,0	26,0
GRANT 4 R 32 LN V26-36	27,9	0,65	80°S	9,5	27,2

INSTALLATION ALTITUDE: 1500 - 2000 m					
Burner	Boiler output	Nozzle (Danfoss)		Pump*	Combustion head position (A - Fig. 46)
		gph	spray		
Model	kW	gph	spray	bar	mm (±0,2)
GRANT 4 R 18 LN V18	15,3	0,40	80°S	10,0	26,3
GRANT 4 R 24 LN V15-26	20,5	0,55	80°S	8,5	26,0
GRANT 4 R 32 LN V26-36	27,2	0,65	80°S	8,5	27,2

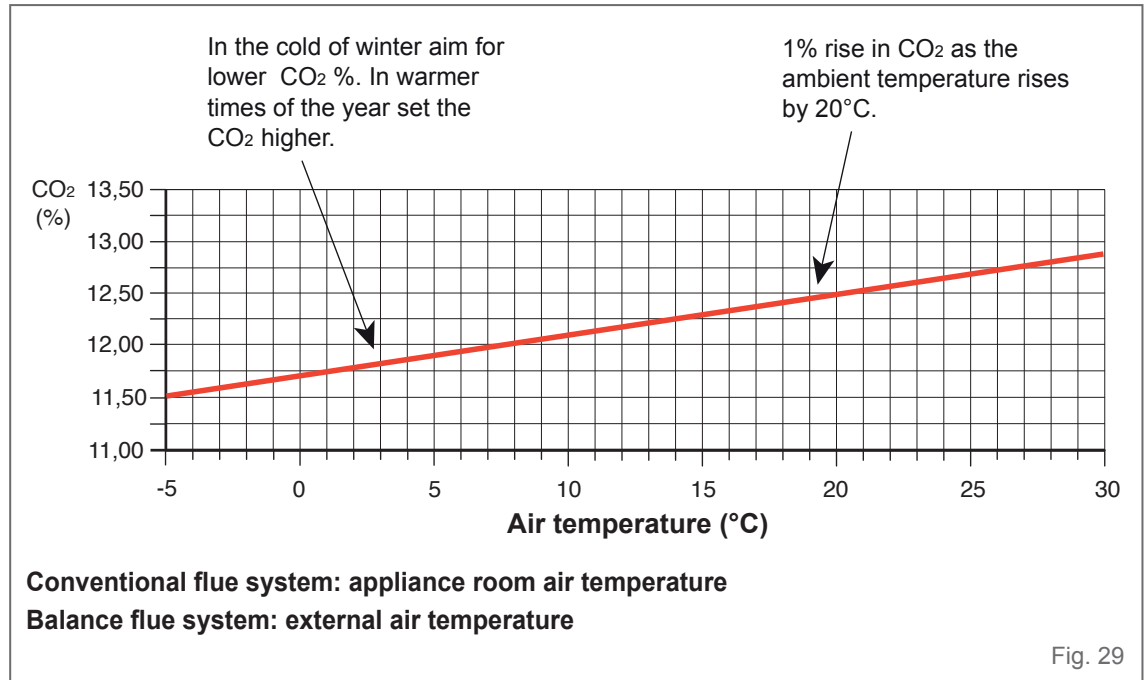
(\*) The pump pressure is referred to a stability period of 5 min.

### 5.3 Combustion adjustment

The burners leave the factory set according to the paragraph "5.2 Factory pre-setting".

The installation of the burner on the boiler, the commissioning and servicing must be carried out following the boiler technical manual, including the check of the CO<sub>2</sub> and CO level in the flue gases, their temperatures and the average temperature of the water in the boiler.

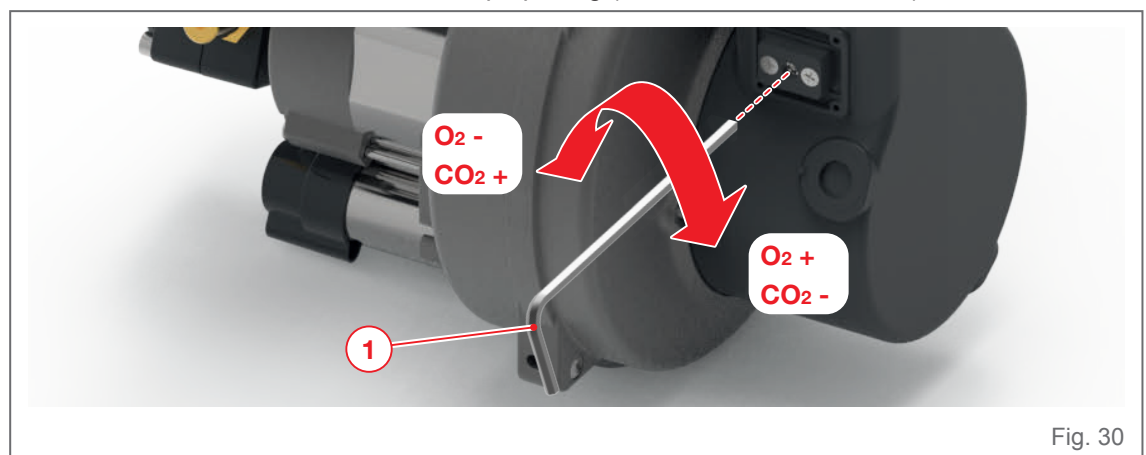
In case of outside temperature conditions influencing the combustion it is recommended to adjust the CO<sub>2</sub> according to the diagram below.



#### 5.3.1 Air flap position

Turn the hex key (1) supplied:

- clockwise to increase the air flap opening (O<sub>2</sub> rises, CO<sub>2</sub> decreases).
- counterclockwise to reduce the air flap opening (O<sub>2</sub> decreases, CO<sub>2</sub> rises).



## 5.4 Checks before commissioning

The following must be checked before initial commissioning:

- That the burner is assembled in accordance with the instructions given here
- That the burner is pre-set in accordance with the values in the adjustment table
- Setting the combustion components
- The boiler must be ready for operation, and the operating regulations for the heater must be observed
- All electrical connections must be correct
- The boiler and heating system must be filled with water and the circulating pumps must be in operation
- The thermostats and any other safety or limiting devices that might be fitted must be connected and operational
- The flue system must be unobstructed and the secondary air system, if available, must be operational
- An adequate supply of fresh air must be guaranteed
- The heat request must be available
- Fuel tanks must be full
- The fuel supply lines must be assembled correctly, checked for leaks and bled
- In the event the burner does not start on initial start-up following a long period of storage, the pump should be checked to ensure it is not blocked. See chapter on "5.6.4 Check pump rotation" on page 37
- A standard-compliant measuring point and analyser test point must be available, the flue system to the measuring point must be free of leaks to prevent anomalies in the measurement results.

## 5.5 Adjusting burner output

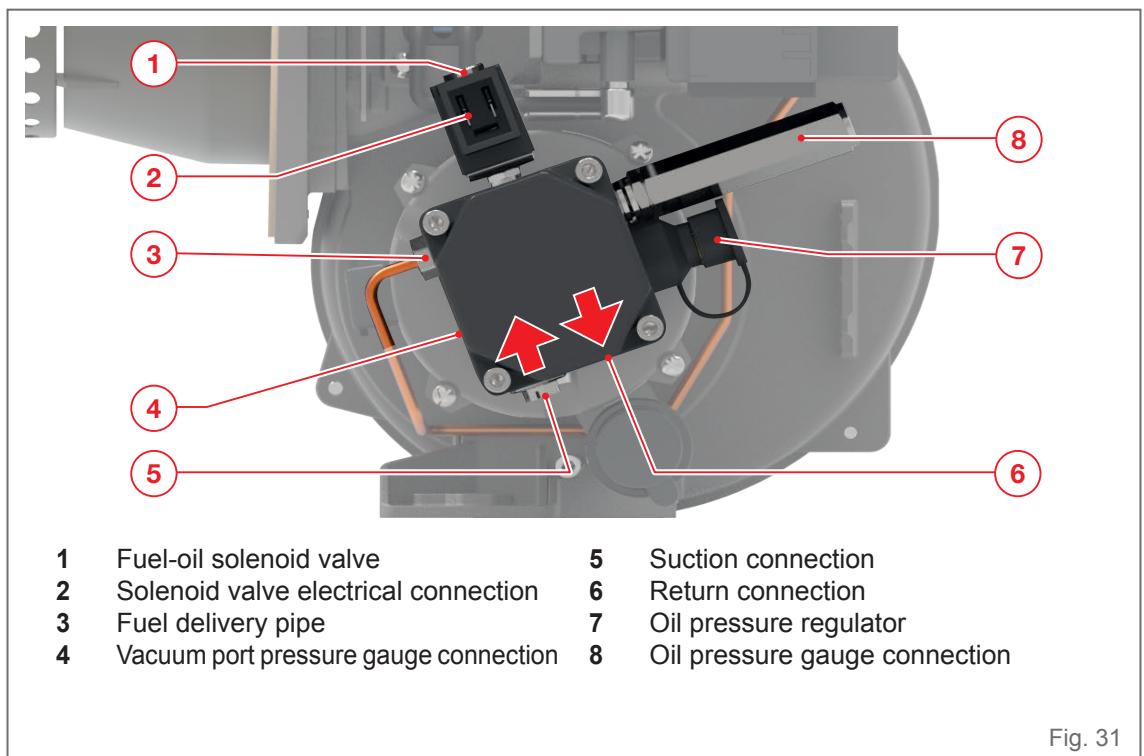


Fig. 31



### WARNING

Continuously check CO, CO<sub>2</sub> and soot emissions when adjusting the output of the burner. CO must not exceed 50 ppm.

### 5.5.1 Burner start

Before starting the burner, draw oil in until the filter is completely filled. Then start the burner by creating a heat demand on the boiler (refer to boiler installation manual). Open the bleed screw on the oil filter to allow the oil line to bleed fully during the prevention phase. The negative pressure (vacuum) must not fall below 0.4 bar. Close the bleed screw when the filter is completely filled with oil and oil is flowing out without bubbles. Boiler has to maintain in operation at least 15 min. or reach a steady condition of operation, then check the combustion values.

### 5.5.2 Burner adjustment

Use the pressure regulator to adjust the oil pressure in accordance with the table (tab.1). Monitor the combustion values continuously as you do so (CO, CO<sub>2</sub>, smoke test). Adjust the airflow gradually if necessary. Operating on air flap setting.

## 5.6 Oil pressure setting

### 5.6.1 Oil pressure setting

The oil pressure, and therefore burner output, is adjusted using oil pressure regulator (7), see "Fig. 31", on the pump.

Sequence to adjust the oil pressure:

- connect a pressure gauge at point (8).

Turn the regulator screw (7) to:

- right: to increase pressure.
- left: to reduce pressure.
- verify the correct pressure with the pressure gauge.

At the end of adjustment.

- to disconnect the pressure gauge.
- to tight the plug (8).

### 5.6.2 Checking negative pressure

The vacuum gauge for checking negative pressure must be connected to point (4). Maximum permissible negative pressure is 0.4 bar check the oil supply in case those pressures cannot be achieved. At higher negative pressures, the fuel oil gasifies, which causes pump cavitation in the pump and ultimately leads to pump damage.

### 5.6.3 Cleaning the pump filter

To be able to clean the filter (H), it is necessary to remove the pump cover. Check the pump cover seal and replace the gasket if necessary.

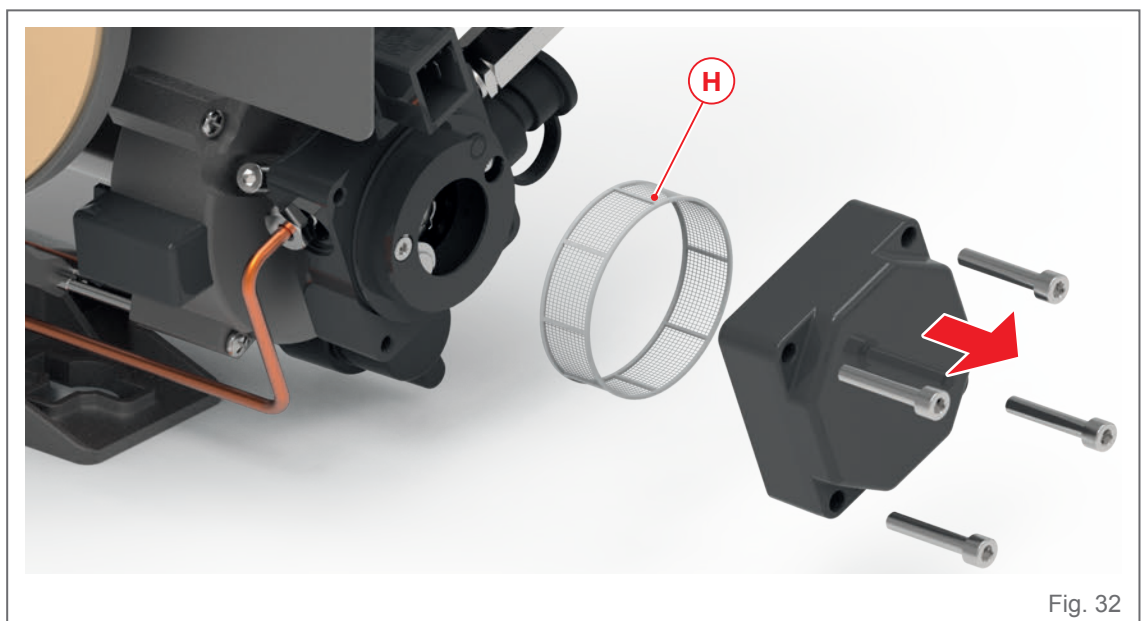


Fig. 32

**5.6.4 Check pump rotation**

**CAUTION**

If the pump is blocked, proceed as follows.

- Disconnect the oil pipe from the pump
- remove the pump (1) from the motor loosening screws (3) using the key supplied (2)

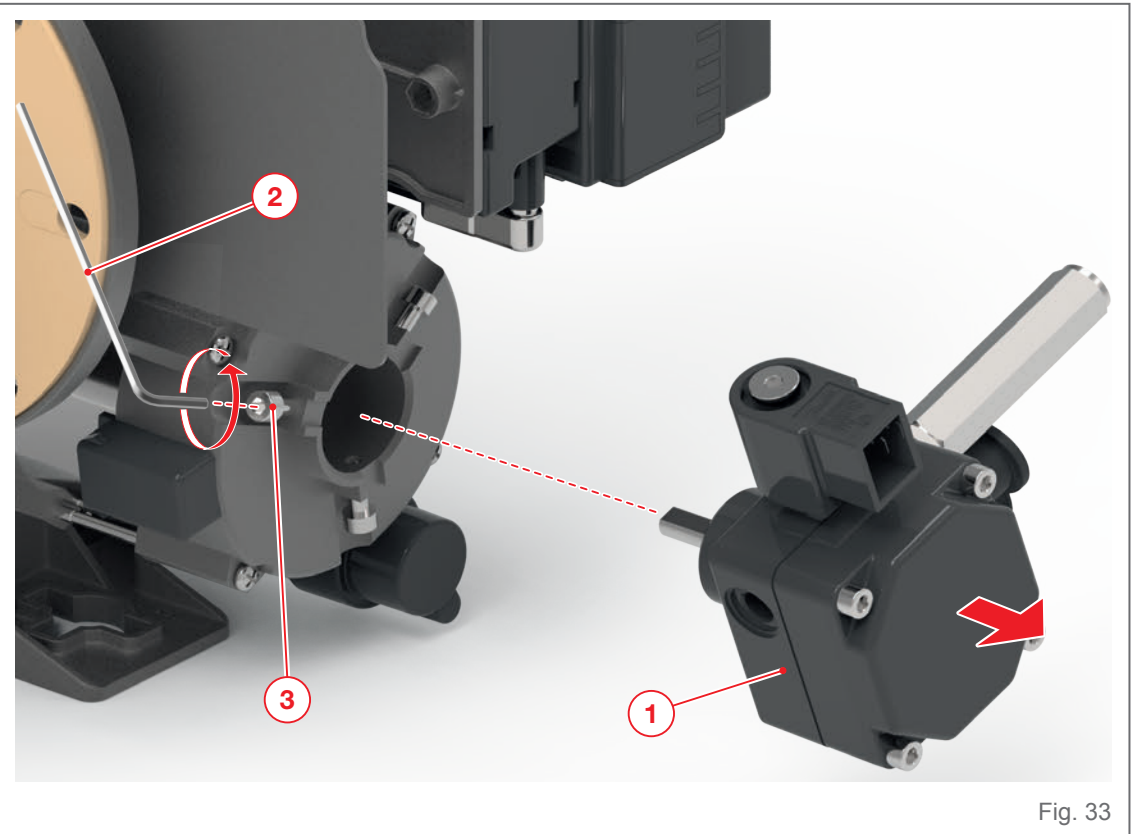


Fig. 33

- manually rotate the shaft (3-4 rotations both clockwise and anticlockwise)



Fig. 34

- refit the pump to the motor
- reconnect the oil pipe to the pump. Check that there is no oil leakage on the pump side after this operation.

Replace the pump in the event it remains blocked or if there was any sticking during manual rotation.

## 5.7 Commissioning record

Confirm the work carried out in the commissioning report below by marking and X or an ✓.

Commissioning work	Note	Done
Check the heating system has been filled correctly and the air has been removed		
Check the flue system		
Check there are no leaks in the fuel supply system		
Start the burner and check that it is operating normally		
Measure the parameters of the combustion system and record all the main data pertaining to the first ignition		
Explain to the proprietor and person responsible for the domestic heating system the burner is installed on, the importance of ensuring good inflow of combustion air and combustion product evacuation. They should also highlight that no modification should be made to the heating system (comprised of air intake, burner, boiler and flue pipe) that could alter the correct operation of the system		

Confirmation of correct commissioning:

Stamp / date / company signature: \_\_\_\_\_

**5.7.1 Setting and values recorded**
**Customer:** \_\_\_\_\_

**Heating system:** \_\_\_\_\_

BOILER	
Type	
Output	kW
	kcal/h

BURNER				
Type		GRANT 4 R 18 LN V18	GRANT 4 R 24 LN V15-26	GRANT 4 R 32 LN V26-36
Serial number				
Output	kW			
Nozzle size	gph			
Spray angle/cone type				
Fan pressure	mbar			
Combustion chamber pressure	mbar			
Air flap	scale			
Oil throughput	kg/h			
Oil pressure (oil pump)	bar			
CO <sub>2</sub>	Vol. %			
CO	mg / kWh			
	ppm			
NO <sub>x</sub>	mg / kWh			
	ppm			
Room temperature	°C			
Flue gas temperature (gross)	°C			
Pressure at the base of chimney	mbar			
Firing Efficiency factor	%			

**Date:** \_\_\_\_\_

**Signature:** \_\_\_\_\_

## 6 MAINTENANCE

### 6.1 Safety during maintenance

The periodic maintenance is important for safety, good operation and long life cycle of the burner, reducing also consumption and polluting emissions.

The burner must be serviced at least once a year. Only qualified and authorised personnel shall carry out maintenance and the calibration of the burner, in accordance with this manual and in compliance with the local standards and regulations.



#### **DANGER**

##### **Danger of death!**

- Contact with live electrical components may cause serious incidents.
- Only professionally-trained and qualified personal can operate on the electrical system.
- Before any operation, switch off the power supply to the system by operating the main switch.



#### **CAUTION**

##### **Hot surfaces - Risk of burns!**

- Contact with components at high temperatures may cause more or less serious superficial burns.
- Operators should wear suitable clothing and personal protective equipment.
- They should ensure that all components are at ambient temperature before carrying out any maintenance operations.



CAUTION

#### **FUEL LEAKS**

- Fuel leaks may cause fire to break out.
- They may be toxic via inhalation and cause skin irritation.
- Act swiftly to remove the cause of the leak. If it is connected to a maintenance operation, use the dedicated personal protective equipment.



PRECAUTION

#### **PRECAUTION**

##### **Danger of injury caused by improper use!**

- Danger of personal injury such as contusions, bruises and cuts due to incorrect handling.
- Use personal protective equipment as required by applicable legislation, such as safety shoes and gloves.



CAUTION

#### **CAUTION**

- Installation, commissioning and maintenance activities must only be carried out by the personnel of dedicated heating companies specifically qualified to perform these tasks.



#### **IMPORTANT INFORMATION**

- Inspect threaded joints to identify leaks during annual maintenance checks.
- Replace defective or worn gaskets.



## 6.2 Important components for safety

In order to ensure the long working life of the burner, we recommend periodically carrying out component checks.

### 6.2.1 List of parts typically subject to wear

Parts subject to wear should be regularly checked by the technician during maintenance operations and if necessary replaced.

<b>Worn components</b>	<b>Replacement intervals / years (non-binding factory recommendation)</b>
Nozzles	1
Gaskets	2
Fuel delivery pipes	2
Flame monitoring devices	3
Ignition electrodes	2
Ignition cable	5

### 6.3 Removing the burner

**DANGER****Danger of death caused by live components!**

Before carrying out any operations on the burner, operate the main power switch for the system to cut off the power supply.

To remove the burner from the boiler, proceed as follows:

- close the fuel taps upstream of the burner
- loosen the two screws (1) and then slide out the burner cover (2) taking care not to damage it.

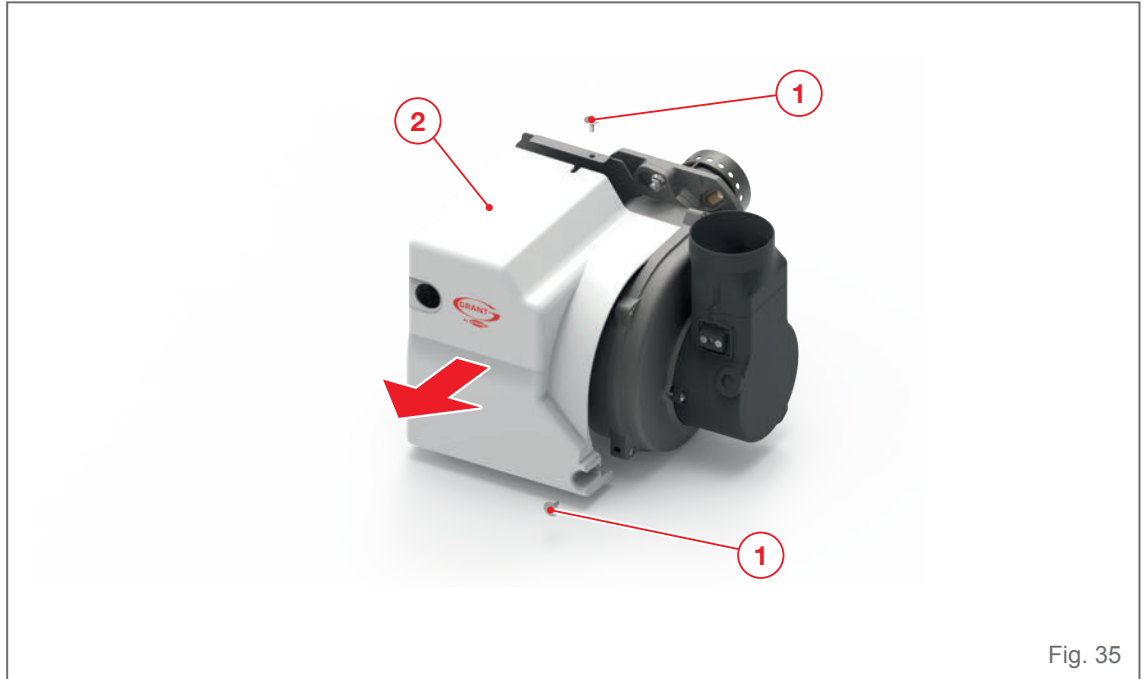


Fig. 35

- detach the 7 pins plug (1) from the burner

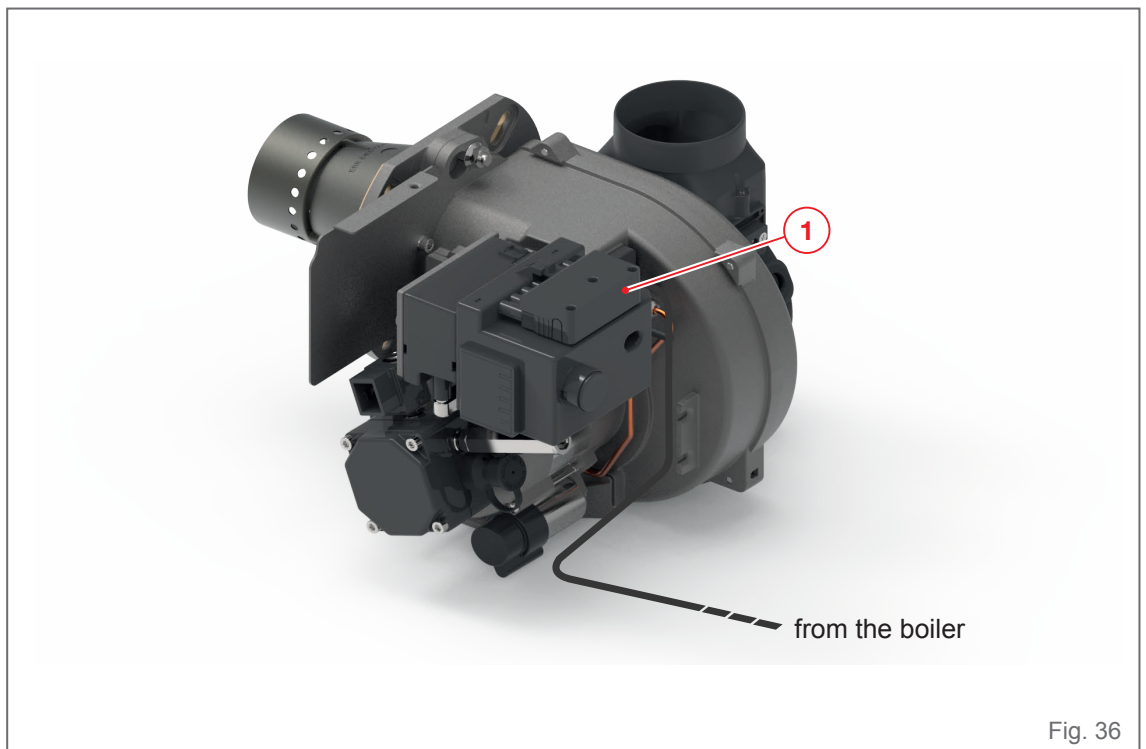


Fig. 36

- remove the fuel delivery pipe (2) and the return pipe (3)

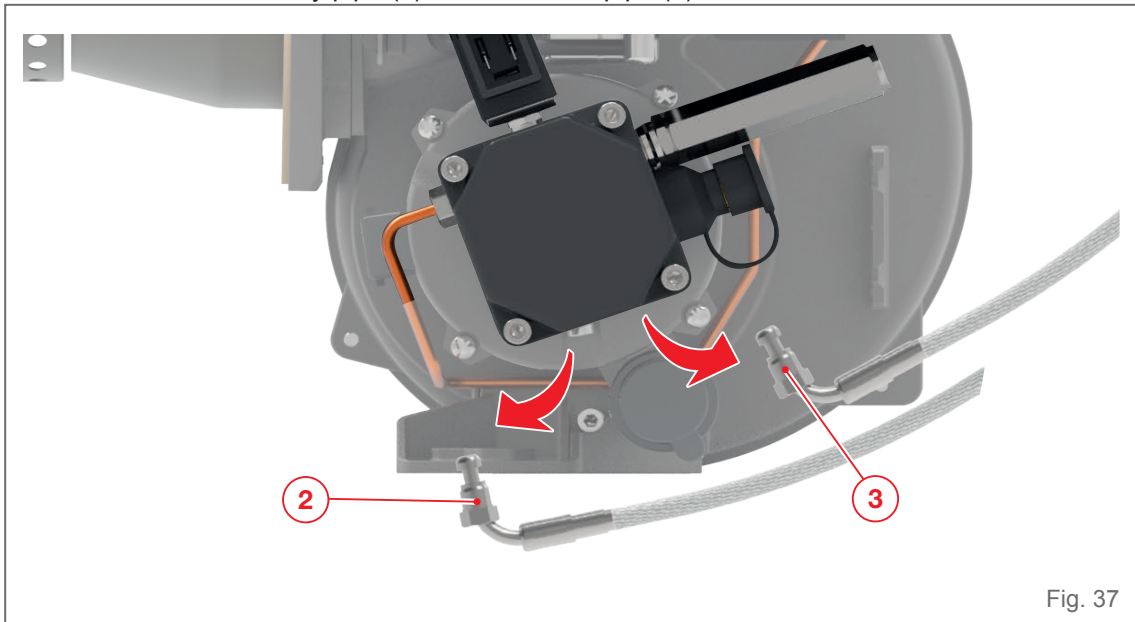


Fig. 37

- drain any fuel still inside the burner and in the fuel delivery pipe and collect it in a basin
- loosen the pipe clamp (7) and remove the air intake pipe (8)

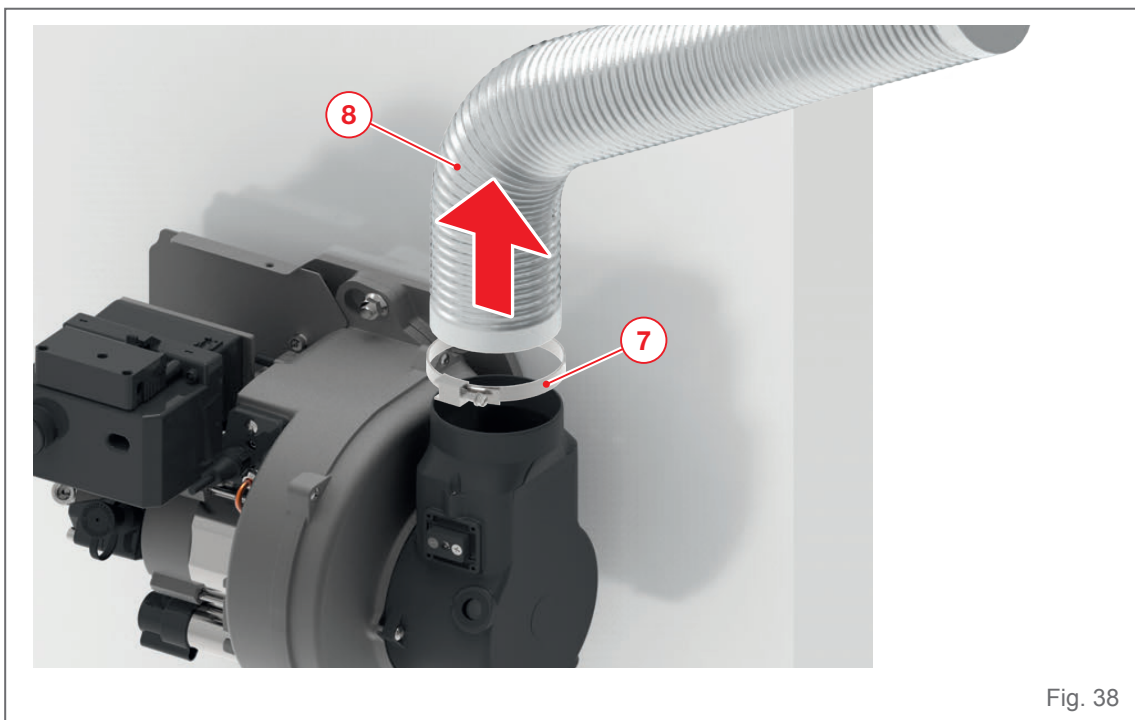


Fig. 38

- loosen the nut (9) securing the burner to the boiler and, rotating the burner (10) slightly to the right, slide it off the boiler.

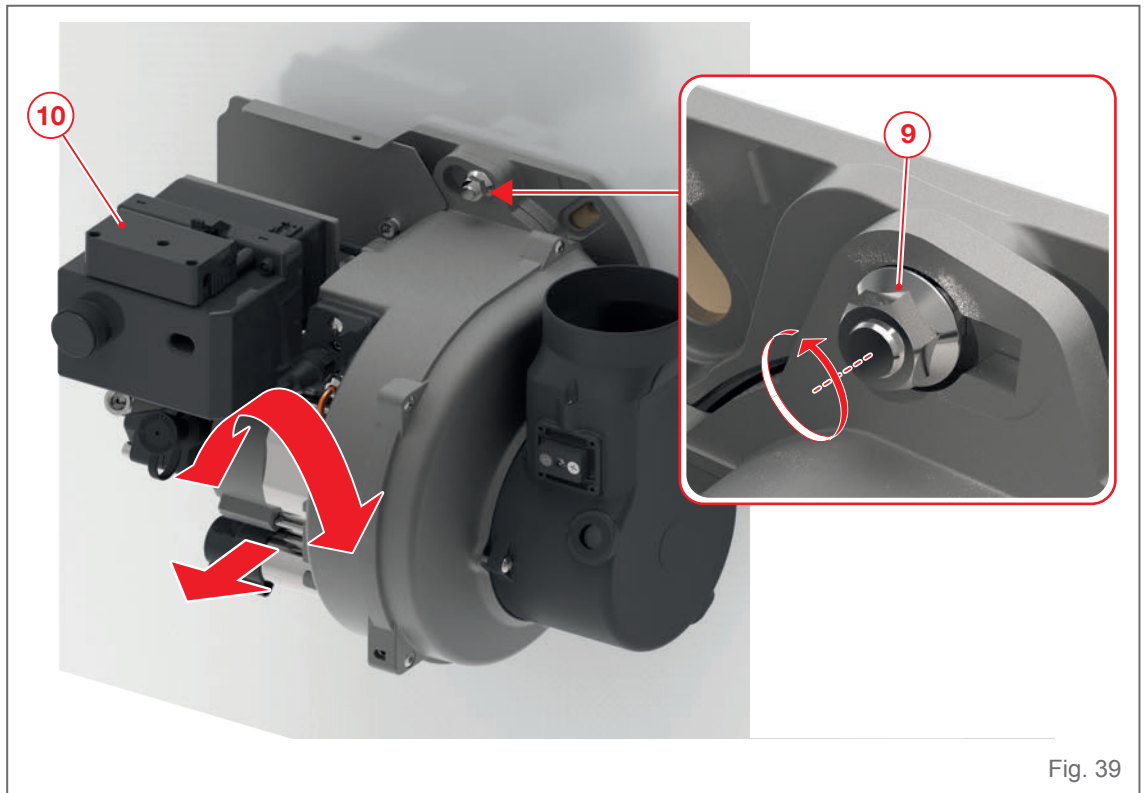


Fig. 39



CAUTION

**CAUTION**

Dispose of any fuel that comes out of the burner in accordance with applicable legislation in the destination country. Separated waste management avoids potential damage to the environment and peoples' health. It also allows many recyclable materials to be recovered, with significant economic and energy savings.

**IMPORTANT INFORMATION**

Once the burner has been removed from the boiler, it can be rested on a rigid, level surface. The burner should be placed on the ground only if resting on the burner base and should never be turned upside down.

To facilitate maintenance operations, secure the burner to the boiler by inserting the fastening screw (11) into the hole (12) on the burner base. Use one of the three square grooves on the burner base to secure the burner, which should be rotated to the best position for the maintenance operation to be carried out.

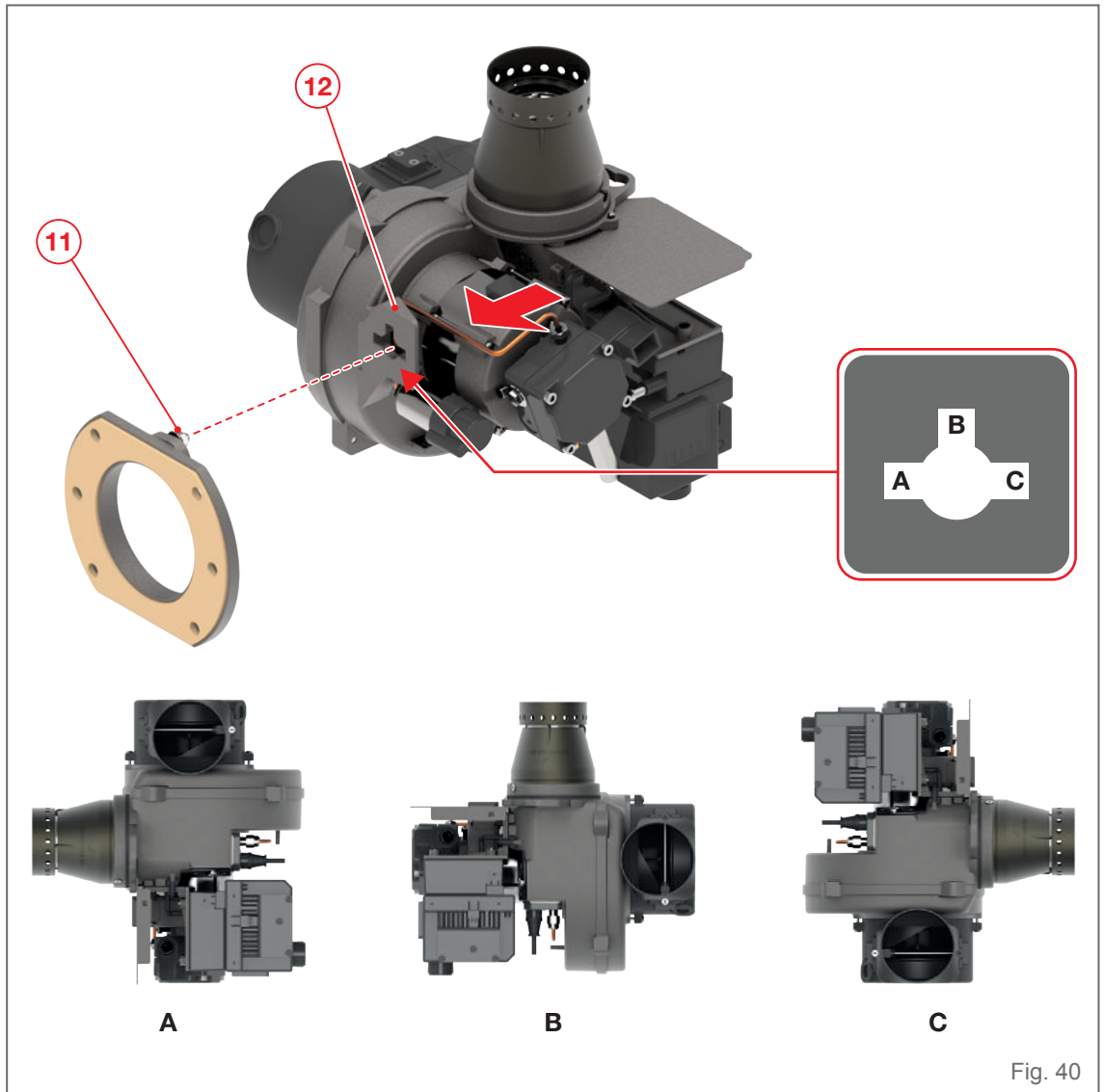


Fig. 40

**Position A:**

- inspection and cleaning of the internal rotor.

**Position B:**

- inspection of the combustion head
- inspection and maintenance of the nozzle
- inspection and maintenance of the electrode group.

**Position C:**

- inspection and maintenance of the pump
- inspection and maintenance of the coil
- inspection and maintenance of the capacitor.

## 6.4 Burner maintenance

- Check the fuel supply components (pipe, pump, fuel delivery pipe) and their connections for leaks and signs of wear, replace parts as necessary.
- Check that the electrical connection and connection cables are not damaged, replace them if necessary.
- Check the pump filter and clean it if necessary.
- Clean the fan and its housing and check for damage.
- Check and clean the combustion head.
- Check the ignition electrodes, adjust or replace them if necessary.
- Replace the nozzle.
- Fit the combustion head. Observe the adjustment dimensions.
- Mount the burner.
- Start the burner, check the exhaust gas data, adjust the burner settings if necessary.
- Fuel pipes should be checked annually and replaced after 2 years.
- Check and clean the components on the main burner.

### 6.4.1 Cleaning and replacing combustion head components

- Remove screws (1) using a screwdriver and slide out the blast tube (2)
- loosen screw (3) using the hex key supplied and remove the diffuser (4) together with the electrode group (5)
- a suitable spanner of the correct size should be used on the fuel line for removing the nozzle (6)

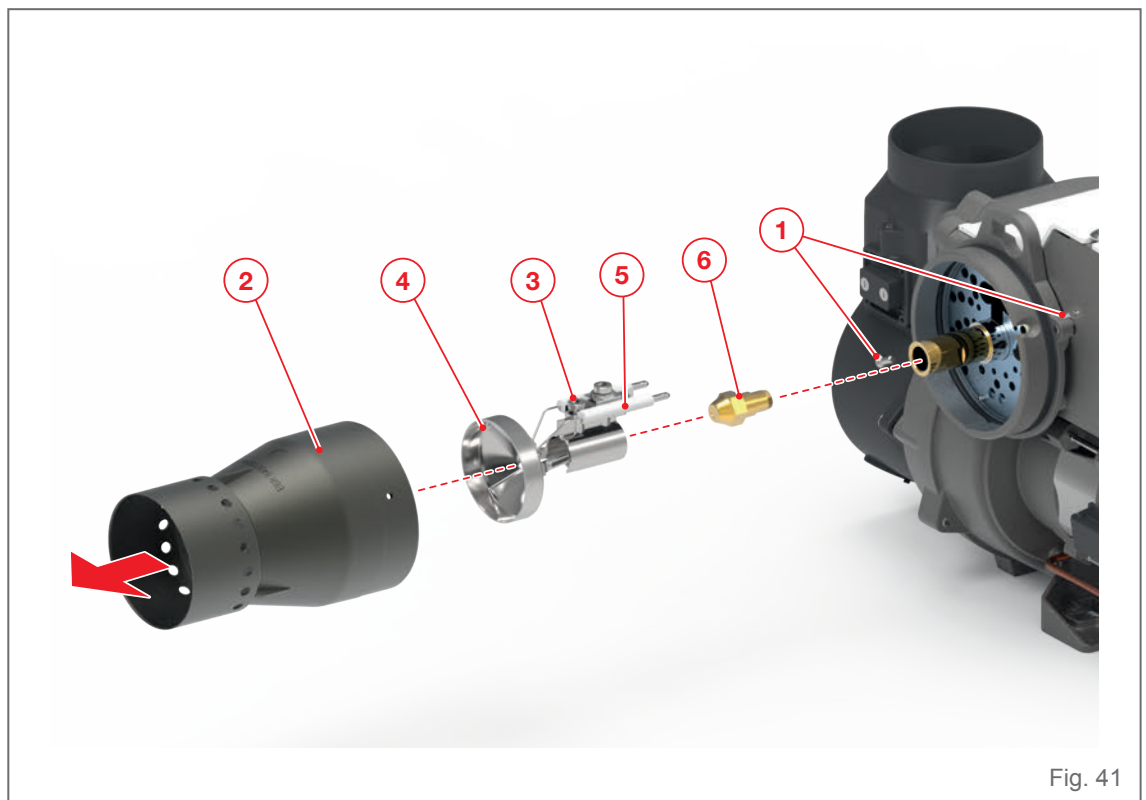


Fig. 41

- ensure that all components are in good condition, undamaged by high temperatures, clean and soot-free. Replace if damaged
- clean all components thoroughly
- refit the components, reversing the procedure above.



**CAUTION**

If the air distributor (1) is removed from its housing, it must be repositioned, making sure that the hole (2) is aligned with the pin (3).

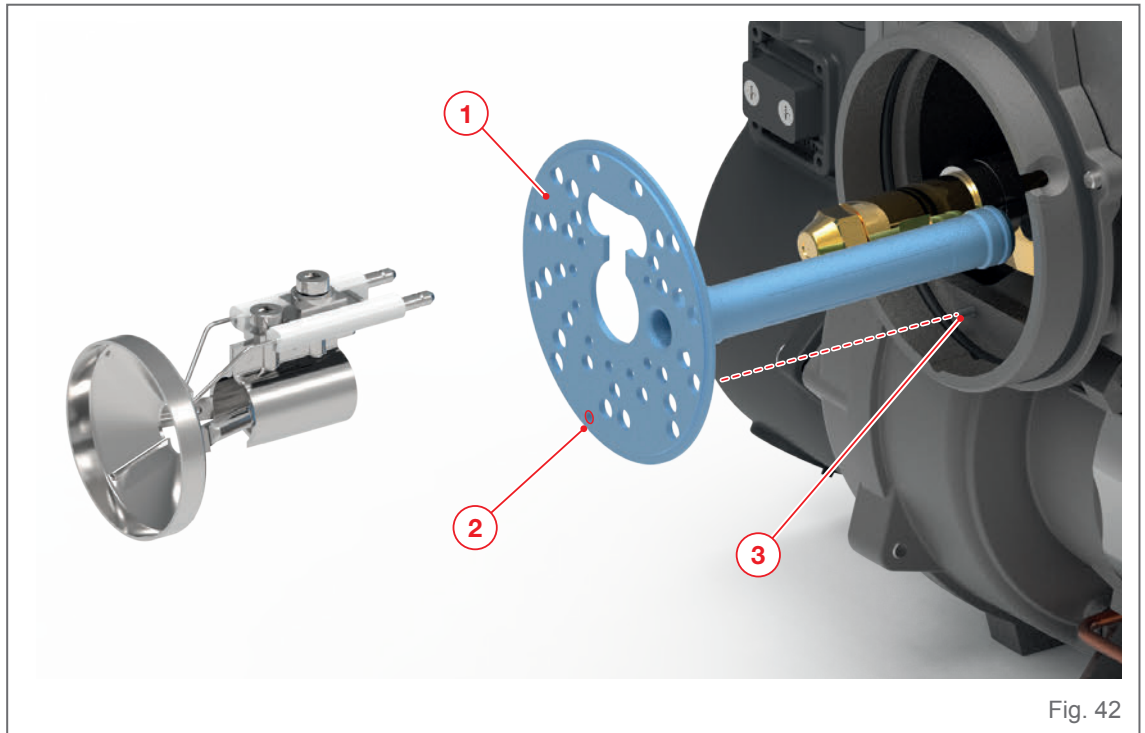


Fig. 42

**6.4.2 Diffuser position check**

To check the position of the diffuser:

- remove the blast tube as described in paragraph “6.4.1 Cleaning and replacing combustion head components” on page 46
- use the key provided to loosen screw (8) and allow the diffuser position check. One turn of the key is sufficient.

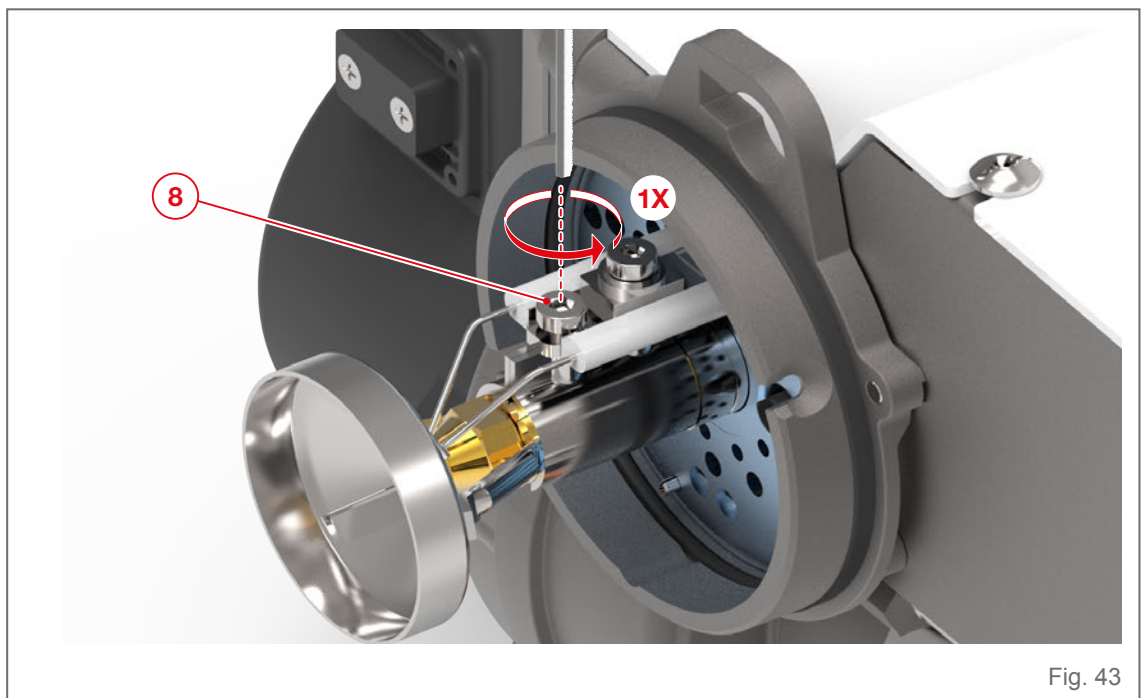


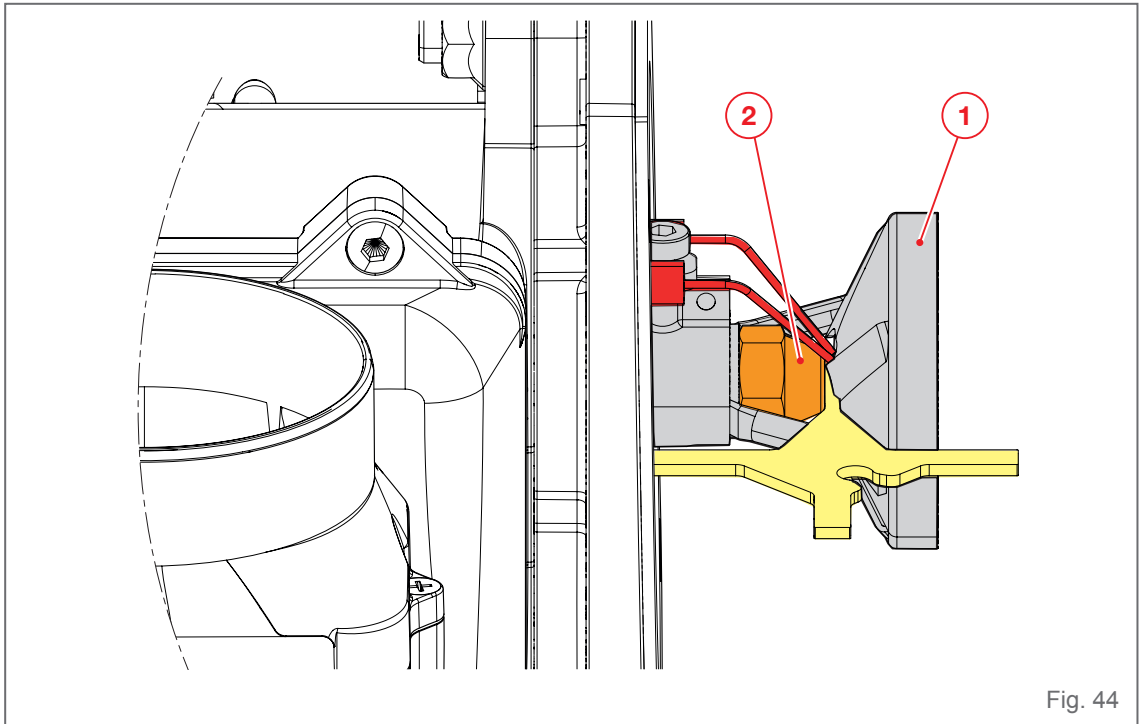
Fig. 43



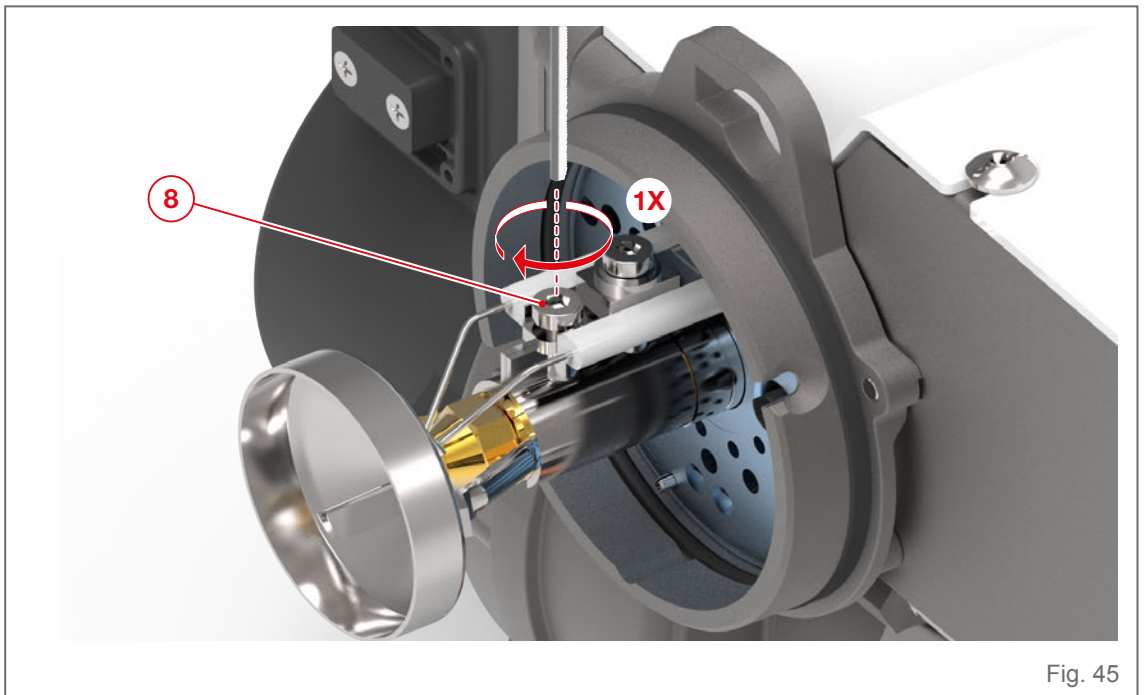
**IMPORTANT INFORMATION**

The gauge should be kept in the position shown in figure.

- check the distance between the diffuser (1) and the nozzle (2) as shown in the figure.



- after having adjusted the position of the diffuser tighten the screw (8).
- refit the blast tube.





### 6.4.3 Combustion head position check

To check the position of the combustion head:

- check the distance between the blast tube (1) and the nozzle (2) as shown in the figure.

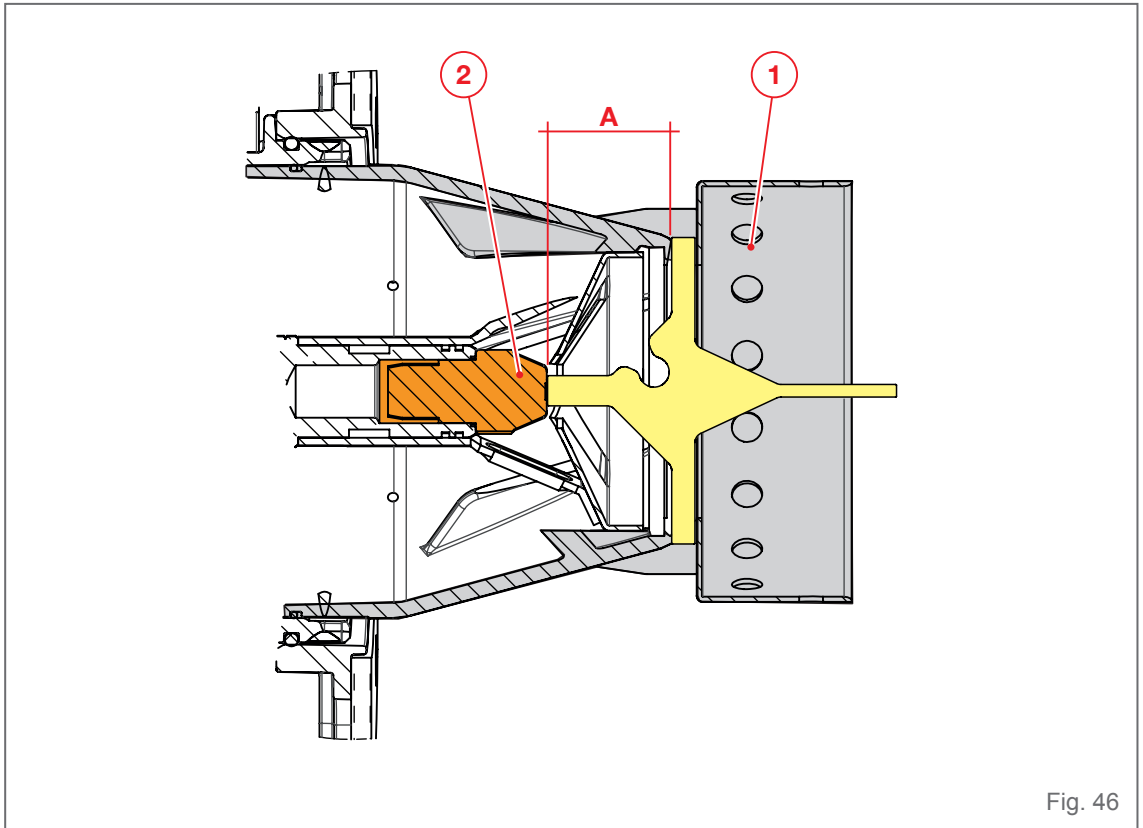


Fig. 46

### 6.4.4 Electrode position check

- Check the distance between tips of electrodes (2 mm)

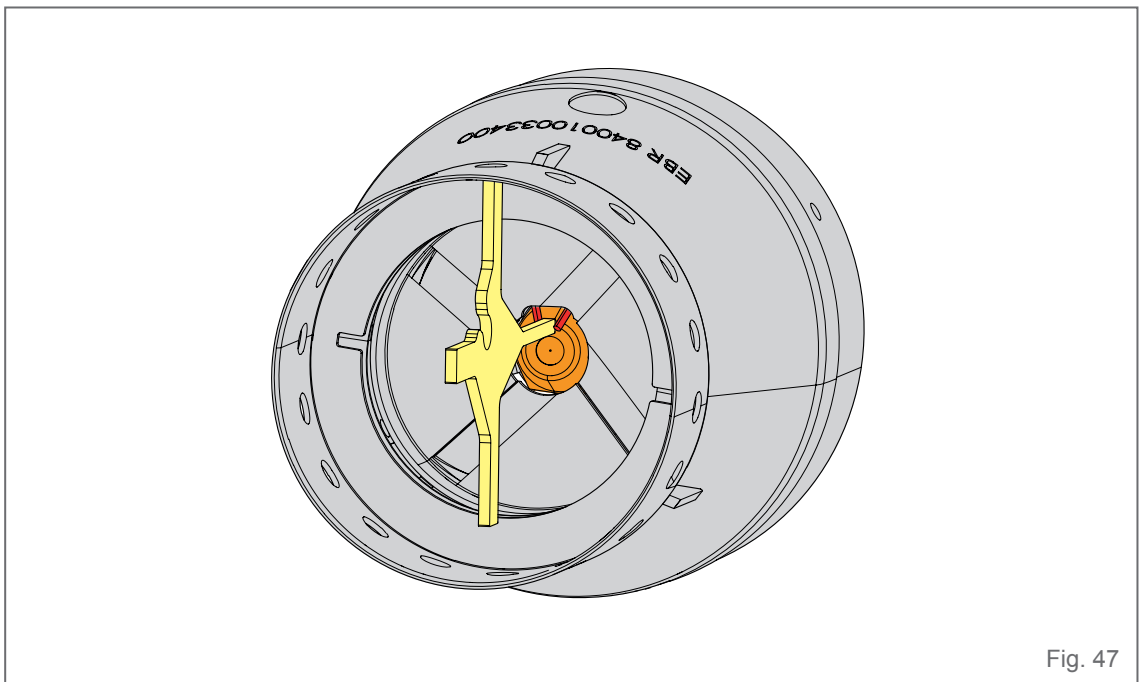
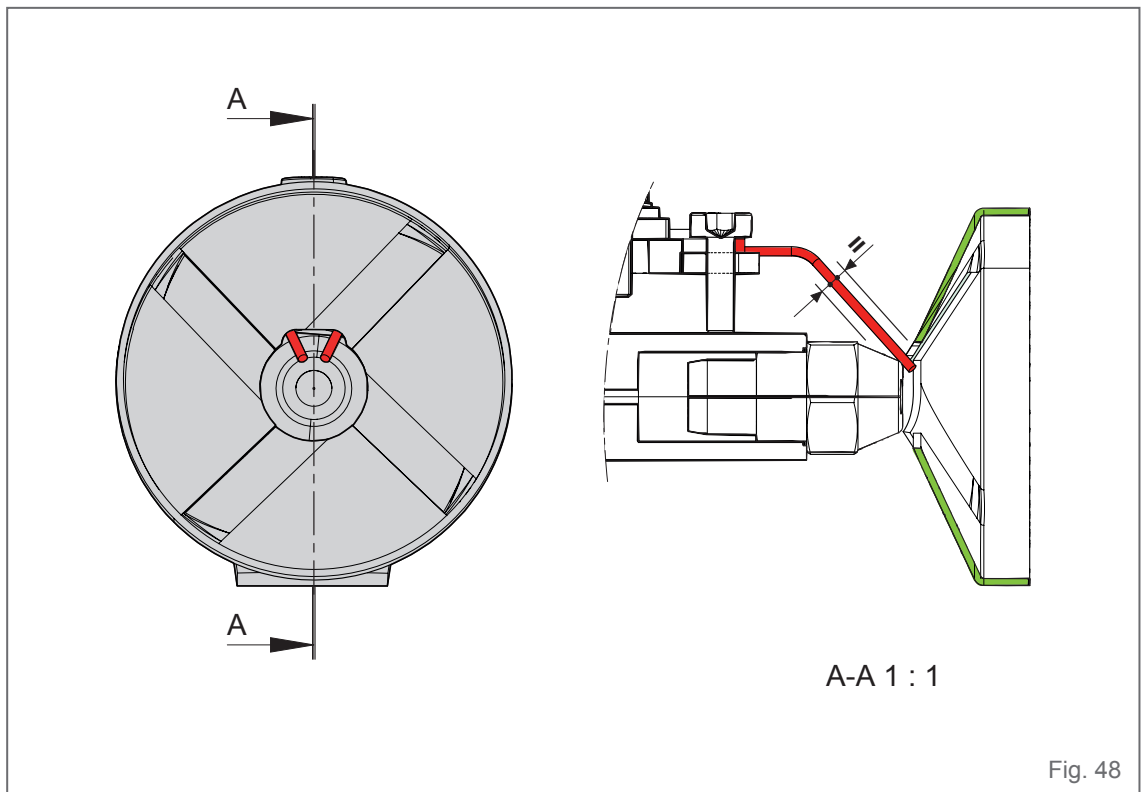


Fig. 47

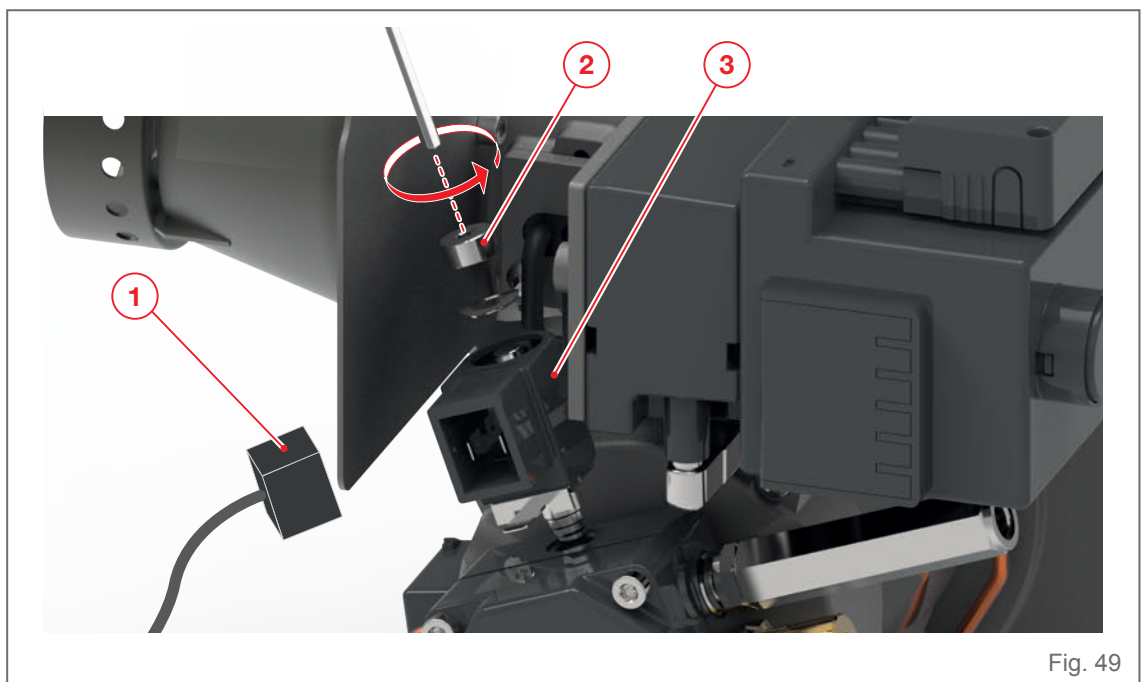
- Check the position of the electrodes assuring that they are centered as shown in "Fig. 48".



#### 6.4.5 Replacing the coil

The pump coil is designed and built to withstand temperatures of up to 85°C. In the event of malfunctions or faults, replace the coil using the following procedure:

- remove the connector (1)
- remove the nut (2) using the key supplied
- slide off the coil (3) and replace it



- refit the components, reversing the procedure above.

### 6.4.6 Replacing the capacitor

Proceed as follows to replace the capacitor:

- detach the electrical connection from the capacitor (1)
- remove the capacitor (2) and replace it

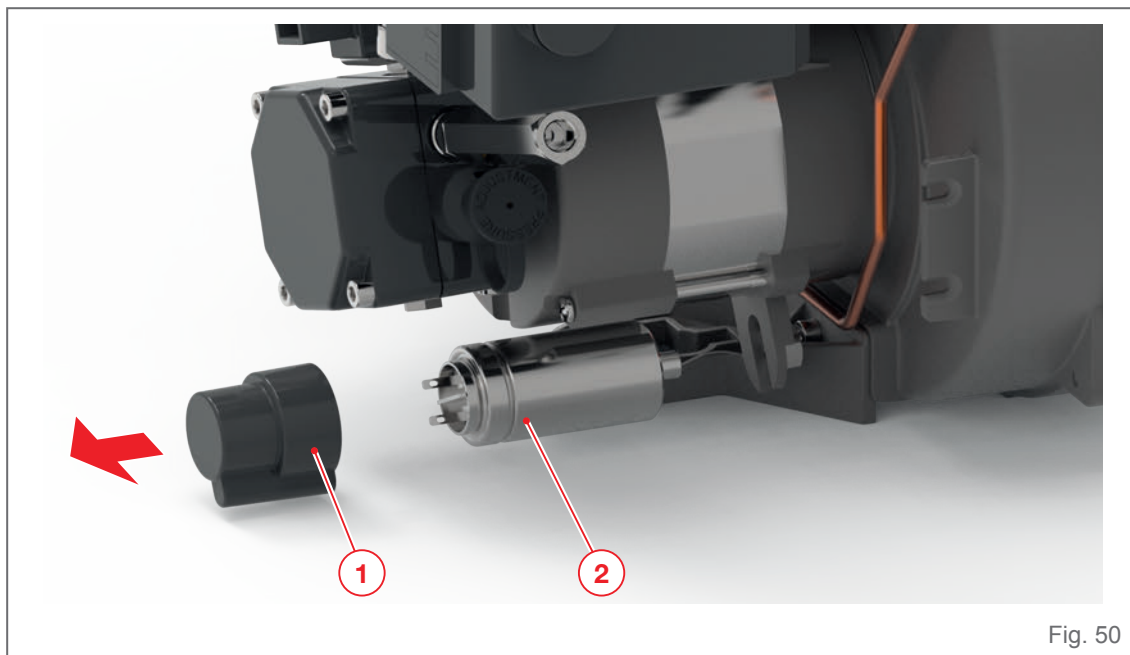


Fig. 50

- refit the components, reversing the procedure above.

### 6.4.7 Cleaning the internal rotor

Check there is no dust inside the fan wheel because this could reduce the combustion performances. Carry out maintenance operations, avoiding to damage the fan. Verify the correct position of fan wheel within the burner housing.

Follow the sequence

- loose the screws (1) and remove the air intake duct (2)
- clean the fan (3) and the inside of the air intake using a brush
- if necessary, disassembly and re-assembly the fan.

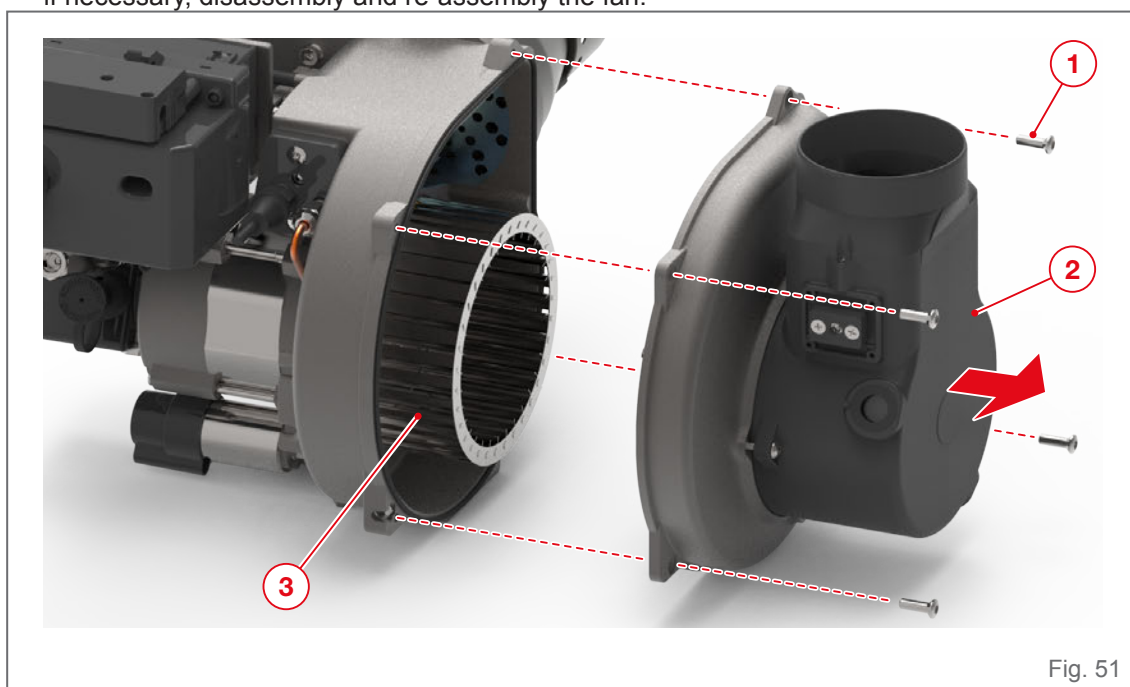


Fig. 51

Observe the positioning diagram below when replacing the motor and blower wheel (3). The inside flange (A) of the blower wheel must be fitted at a lower position (quote C) than the equipment plate (B), tighten the set screw on the blower wheel.

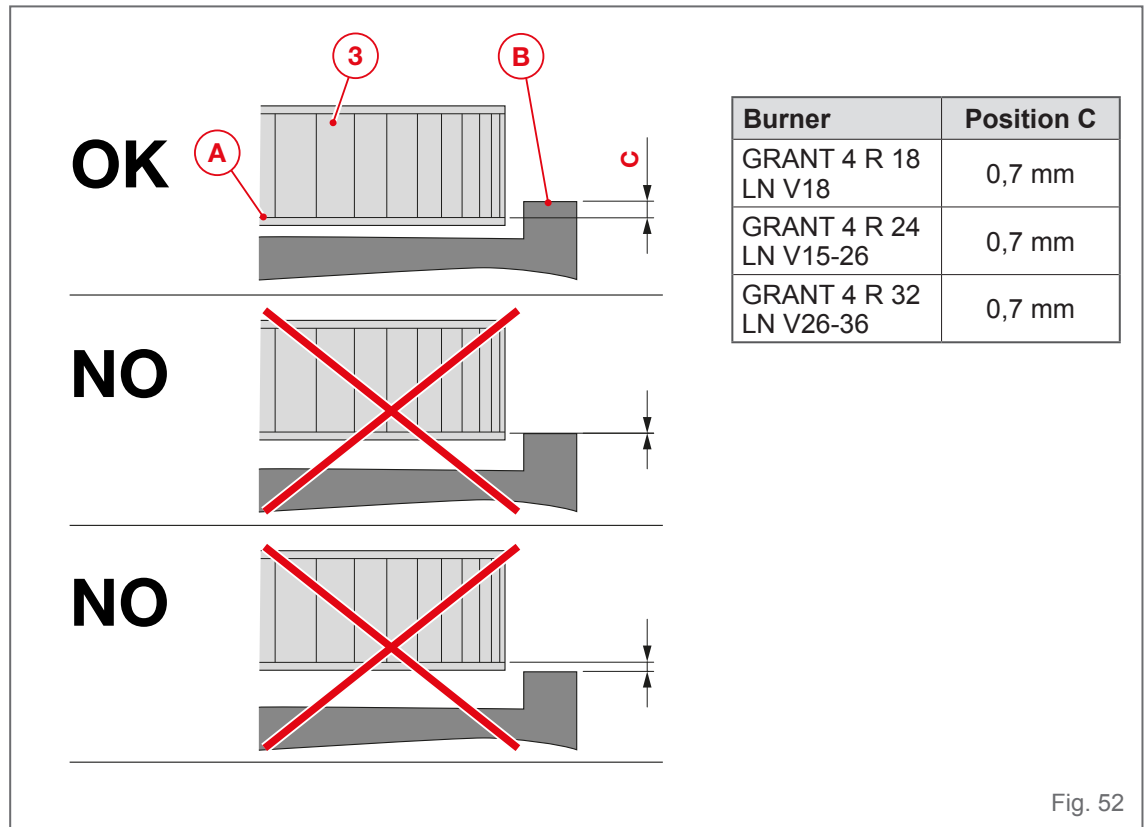


Fig. 52

## 7 TROUBLESHOOTING

### 7.1 Combustion performances

After carrying out commissioning, cleaning or maintenance, combustion parameters must be verified.

Boiler has to maintain in operation at least 15 min. or reach a steady condition of operation, then check:

- pump pressure
- flue gas temperature
- CO<sub>2</sub> (%)
- CO (ppm)
- NO<sub>x</sub> (ppm)
- Bacharach index.

### 7.2 Fault diagnosis and repair

In the event of a malfunction, first check that the prerequisites for correct operation are fulfilled:

- is the system connected to the power supply?
- is there oil in the tank?
- are all shut-off valves open?
- are all control and safety devices, such as the boiler thermostat, low pressure device (if fitted), limit switch, etc. adjusted correctly?

Warranty will be invalidated if genuine parts are not used on replacement. These components must be replaced by parts with the same order number.



WARNING

#### **WARNING**

To reset the equipment control, after viewing the visual diagnosis, press the release button.



WARNING

#### **WARNING**

In case of burner lock out, to avoid damage to the installation, do not reset the burner more than twice in succession.



DANGER

#### **DANGER**

If the burner goes into lock out for the third time, contact manufacturer's service organisation. In the case in which they occur further locks or malfunction burner, interventions must be carried out by qualified and authorized personnel, following the information in this manual and in accordance with the rules and legal regulations.



#### **IMPORTANT INFORMATION**

Only use original spare parts.



#### **IMPORTANT INFORMATION**

After each operation:

- Under normal operating conditions (doors closed, cover fitted, etc.), check combustion and check the individual lines for leaks.
- Record the results in the relevant documents.



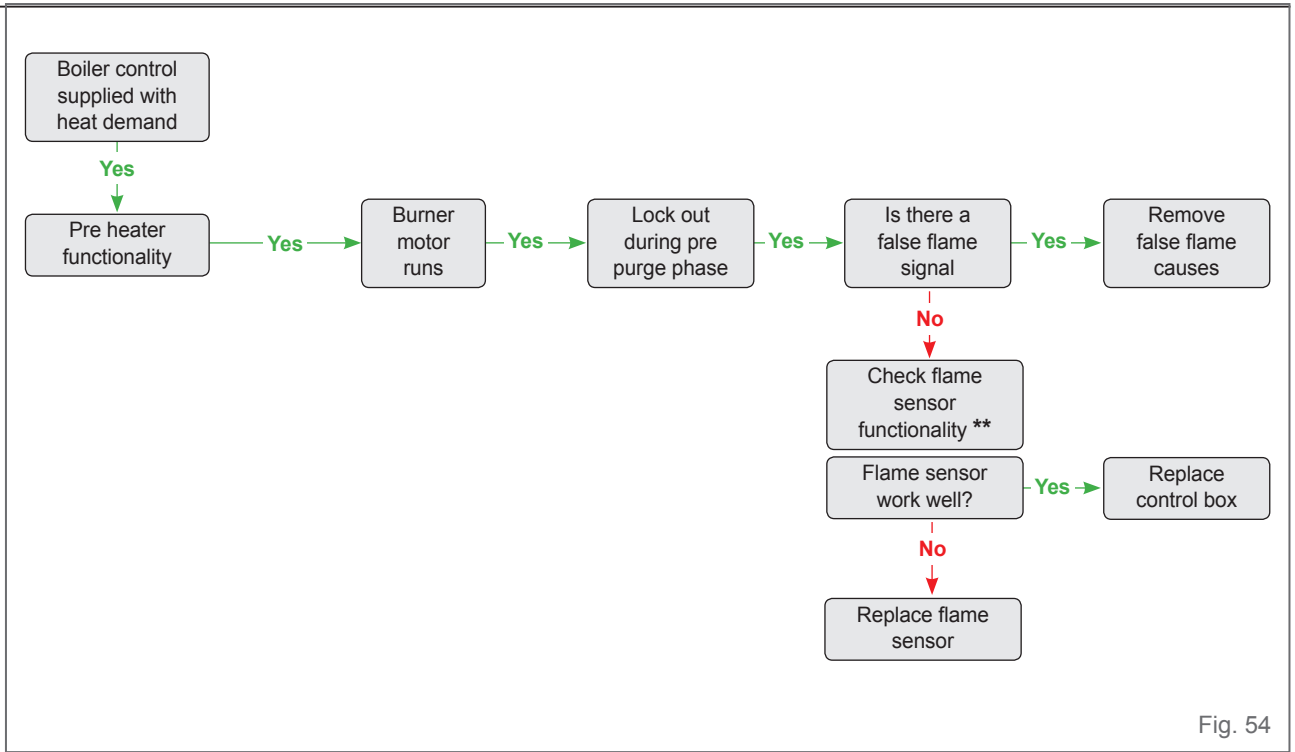


Fig. 54

**(\*\*) Check flame sensor functionality**

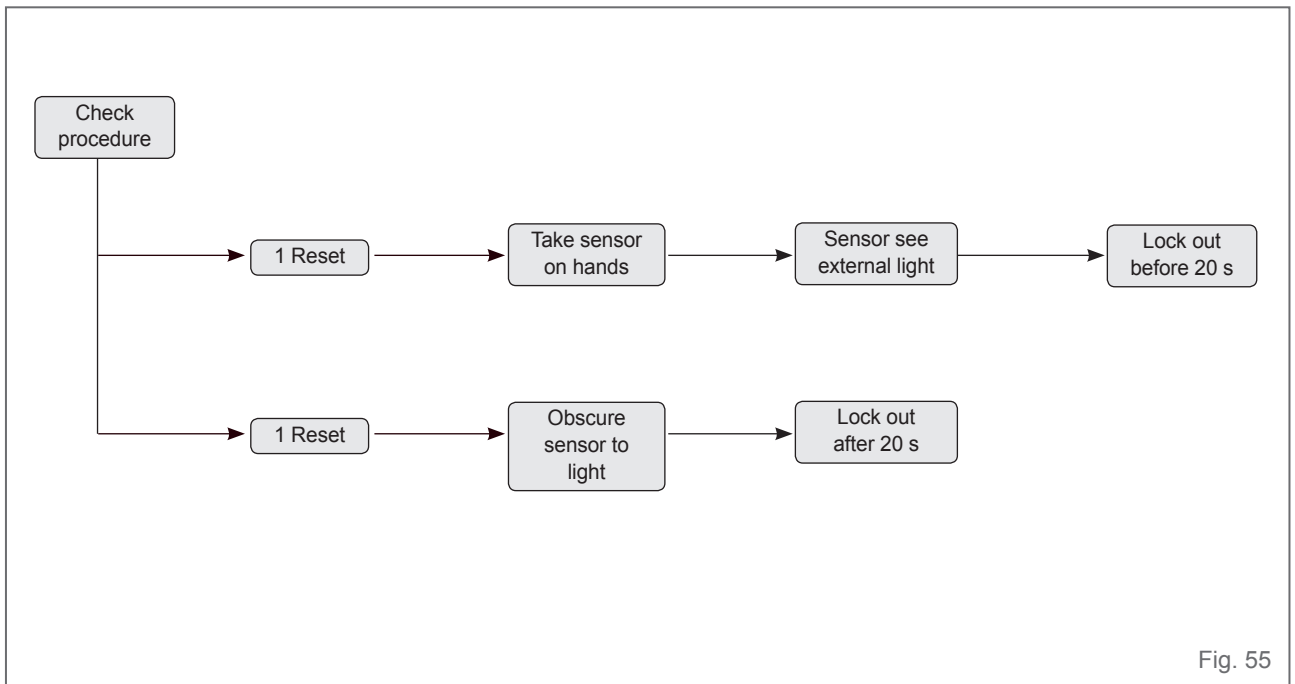


Fig. 55

8 SPARE PARTS LIST

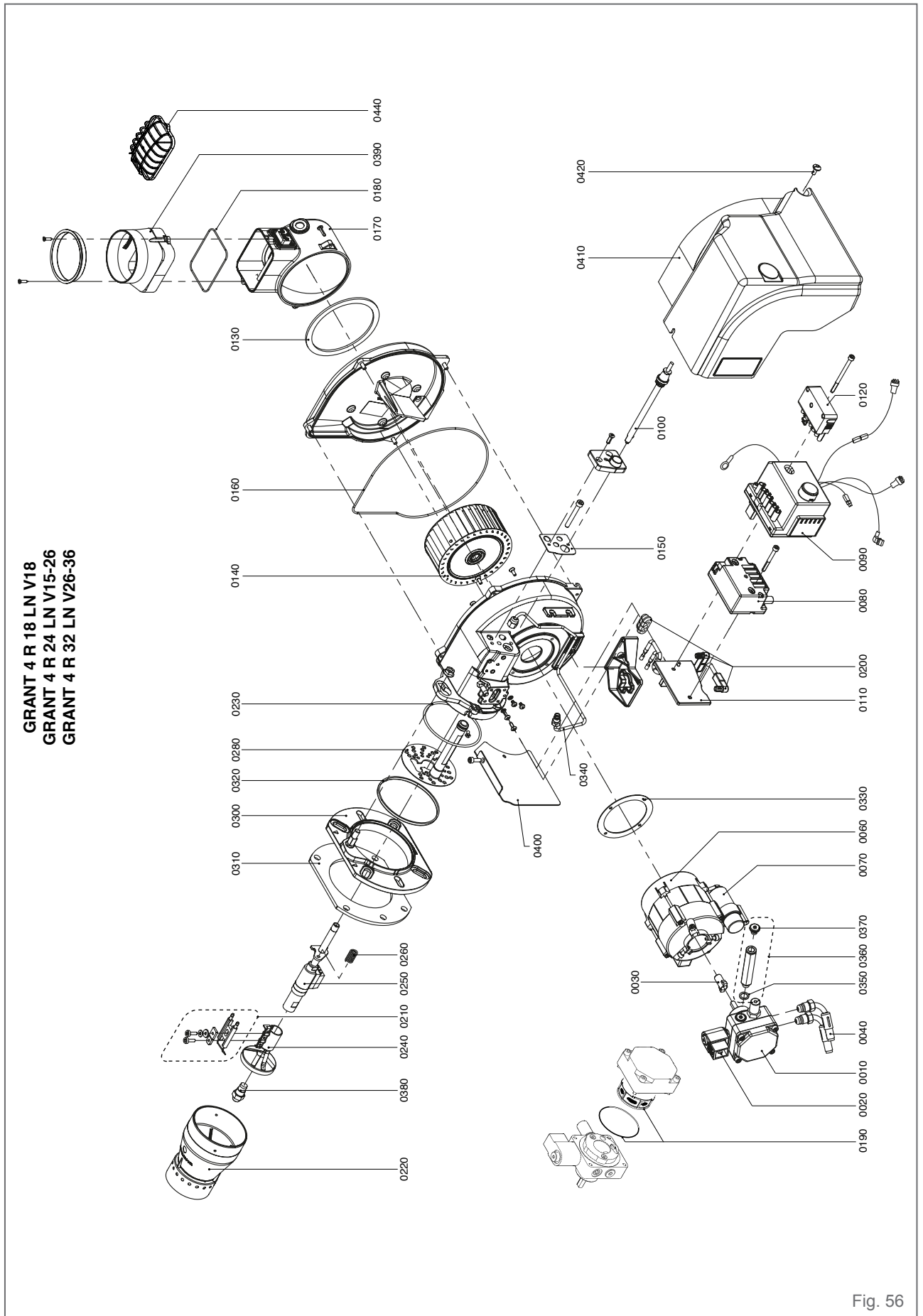


Fig. 56



N°	Description	GRANT 4 R 18 LN V18	GRANT 4 R 24 LN V15-26	GRANT 4 R 32 LN V26-36
		3146483	3146168	3146169
0010	OIL PUMP	65327692	65327692	65327692
0020	COIL	65327693	65327693	65327693
0030	COUPLING	65327694	65327694	65327694
0040	FLEXIBLE HOSE	65327696	65327696	65327696
0060	MOTOR + CAPACITOR	65327697	65327697	65327697
0070	CAPACITOR	65327698	65327698	65327698
0080	IGNITION TRANSFORMER	65327699	65327699	65327699
0090	CONTROL BOX WITH CABLES	65327700	65327700	65327700
0100	PHOTORESISTOR	65327702	65327702	65327702
0110	SUPPORT	65327703	65327703	65327703
0120	7 PIN PLUG	65327706	65327706	65327706
0130	GASKET	65327718	65327718	65327718
0140	FAN	65327750	65327709	65327709
0150	FLAT GASKET	65327712	65327712	65327712
0160	AIR INLET COVER GASKET	65327715	65327715	65327715
0170	AIR INLET COVER	65327716	65327716	65327716
0180	ORING	65327707	65327707	65327707
0190	SET FILTER+SEAL	65327719	65327719	65327719
0200	IGNITION CABLE	65327729	65327729	65327729
0210	ELECTRODES	65327723	65327723	65327723
0220	BLAST TUBE	65327724	65327727	65327727
0230	BLAST TUBE ORING	65327721	65327721	65327721
0240	DIFFUSER	65327730	65327730	65327730
0250	NOZZLE HOLDER	65327731	65327731	65327731
0260	SPRING	65327733	65327733	65327733
0280	AIR DISTRIBUTOR	65327734	65327734	65327734
0300	FLANGE	65327738	65327738	65327738
0310	GASKET	65327737	65327737	65327737
0320	ORING	65327736	65327736	65327736
0330	MOTOR GASKET	65327735	65327735	65327735
0340	PIPE	65327726	65327726	65327726
0350	GASKET	65327725	65327725	65327725
0360	EXTENDED PRESSURE PORT	65327722	65327722	65327722
0370	THREADED STOPPER	65327720	65327720	65327720
0380	NOZZLE	65327711	65327714	65327717
0390	SNORKEL	65327710	65327710	65327710
0400	COVER SUPPORT	65327708	65327708	65327708
0410	COVER	65327705	65327705	65327705
0420	COVER SCREWS GROUP	65327704	65327704	65327704
0440	CONVENTIONAL FLUE CARTER	65327740	65327740	65327740

## 9 MANUFACTURER CERTIFICATE

### 9.1 Manufacturer Certificate / EU Design Conformity Declaration

We, **CUENOD**, declare under our sole responsibility that the light oil burners named **GRANT 4 R ... LN**

is conform to the following standards:

- EN 267
- EN 55014-1
- EN 60335-1
- EN 61000-6-2
- EN 50156-1
- EN 55014-2
- EN 60335-2-102
- EN 61000-6-3

These products bear the **CE** mark in accordance with the stipulations of the following directives:

- 2014/35/UE Low Voltage Directive
- 2014/30/UE EMC Directive
- 2006/42/EC Machine Directive

*April 2018 / Mr. Filippo Maltempi*

R&D Director

A handwritten signature in black ink, appearing to read "Filippo Maltempi".

## 10 APPENDIX

### 10.1 Use of bio fuel blends

The burner is suitable for light oil with a biofuel content of up to 10%. It is a minimum requirement that the fuel blend (up to 10% Biofuel) is obtained with light oil in accordance with the relevant standards, regional regulations and FAME in accordance with EN 14214.



#### IMPORTANT INFORMATION

In the event that the burner needs to be used with fuels containing biofuel percentages higher than 10%, contact the manufacturer.

### 10.2 Important advice for the use of bio fuel blends

#### 10.2.1 Introduction

The growing attention focussed on renewable and sustainable energy sources would suggest an ever-increasing use of biofuels.

If you plan to make use of these fuels, you need to consider several technical aspects in order to reduce the potential for faults in the burner and heating system and the risk of fuel leaks.

The term 'liquid Biofuel' is a broad definition that includes oils made from numerous different raw materials, including recycled cooking oil. These types of oil must be considered and treated differently from common mineral and fossil fuels. This is because they are more acidic, hygroscopic and less stable.

Particular care should be taken in the storage of this fuel, in the supply pipe, in the ancillary equipment, in the filtration and in the choice of burner.

The classification of the biofuel is important for the smooth operation of the equipment.



#### IMPORTANT INFORMATION

The proprietor or the system manager is responsible for the detailed analysis of potential risks associated with the introduction of a mixture of biofuels and the suitability of the devices and installation.

#### 10.2.2 General instructions and information

The supplier of the fuel must demonstrate compliance with an accredited quality management system for their storage, mixing and delivery processes.

During installation, make sure that all the materials and sealing devices used on the storage tank and oil delivery pipe to the burner are compatible with biofuels.

The tank must have a good quality biofuel-compatible oil filter and a **60 micron** secondary filter to protect the burner from contaminants.

Wherever an existing tank is to be used to store the oil, in addition to the above mentioned checks on the materials, it is essential that the tank is first inspected to verify its condition and check for the presence of water or other contaminants. If contaminants are found, a deep clean should be carried out. If this is not carried out the hygroscopic nature of the fuel could dissolve and detach complex components and cause faults in the equipment.

Based on the capacity of the storage tank and how the system is used, fuels can be stored inside it for a considerable amount of time. Consult your biofuel distributor for the use of biocidal products to prevent microbial growth inside the tanks and for instructions on fuel filtering.

During the commissioning of the burner, check that all combustion parameters are compliant with the recommendations in the technical manual for the appliance.

Check the filters on the burner oil pipe and oil pump, and if necessary replace them:

- at least every 12 months during burner use
- before starting the burner following a long period of disuse
- more often in the event of contamination.

**CAUTION**

Pay particular attention during the check and inspection to detecting fuel leaks from sealing devices, gaskets and hoses.

**CAUTION**

IF Bio fuel is used consult your Bio fuel distributor.









420010968801\_R2 15-3-2019 (EN)

Les renseignements portés sur les tarifs et documentations commerciales ou techniques, les schémas et côtes d'encombrements sont donnés à titre indicatif et valables à un instant donné. Le CONSTRUCTEUR se réserve le droit d'apporter toutes modifications de présentation, de forme, de dimension, de conception ou matière à ses produits.