



MAGNA3

Further product
documentation



net.grundfos.com/qr/i/98091805

be
think
innovate

GRUNDFOS 




MAGNA3




MAGNA3 D






Max. 95 % RH
IPX4D 



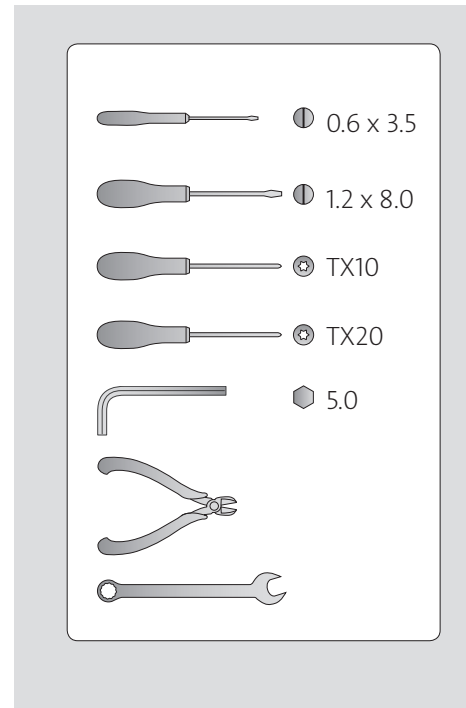
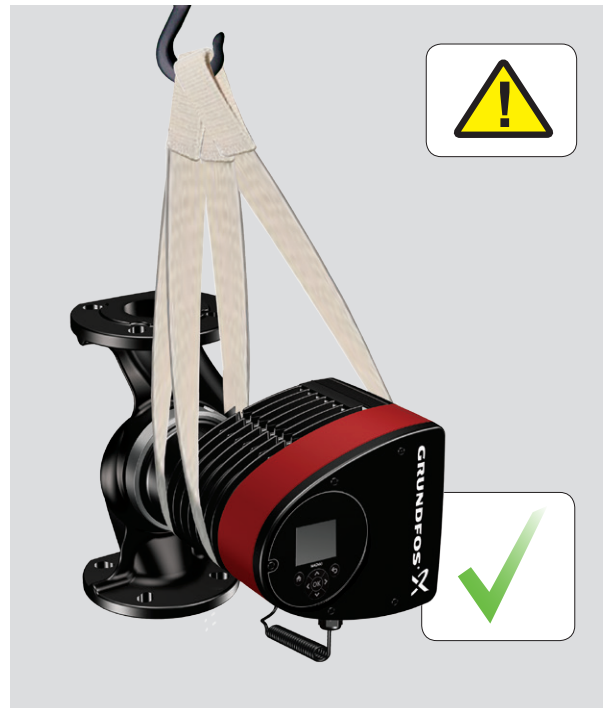
Min./Max.
-10 °C – +110 °C 

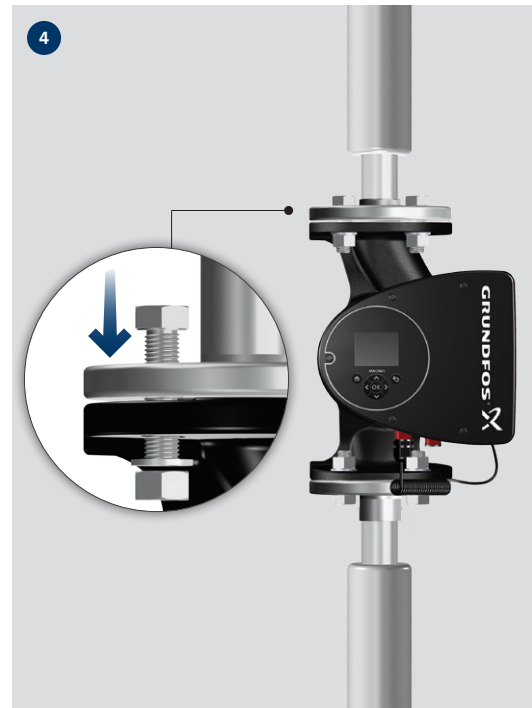
PN 6:6 bar / 0.6 MPa
PN 10:10 bar / 1.0 MPa
PN 16:16 bar / 1.6 MPa 

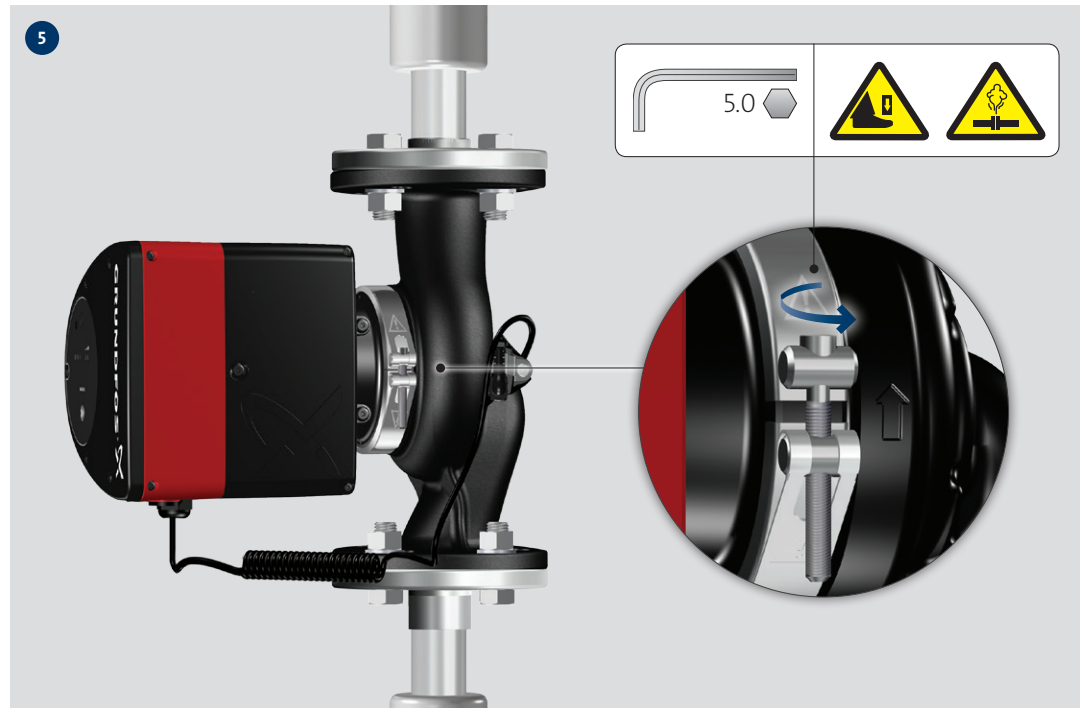
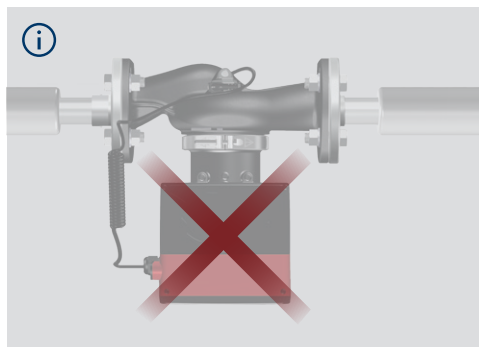
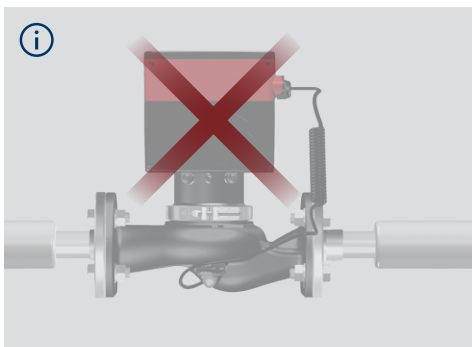
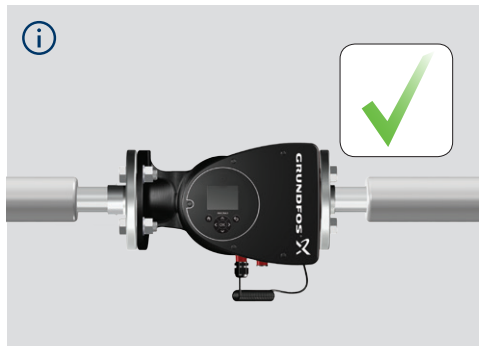
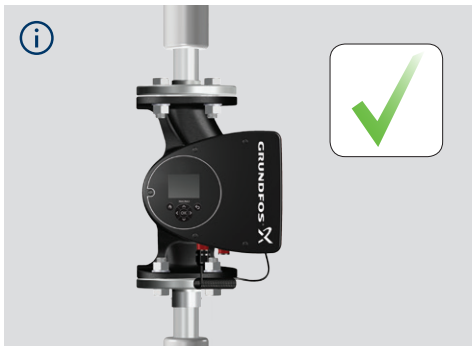
Min./Max.
0 °C – +40 °C 

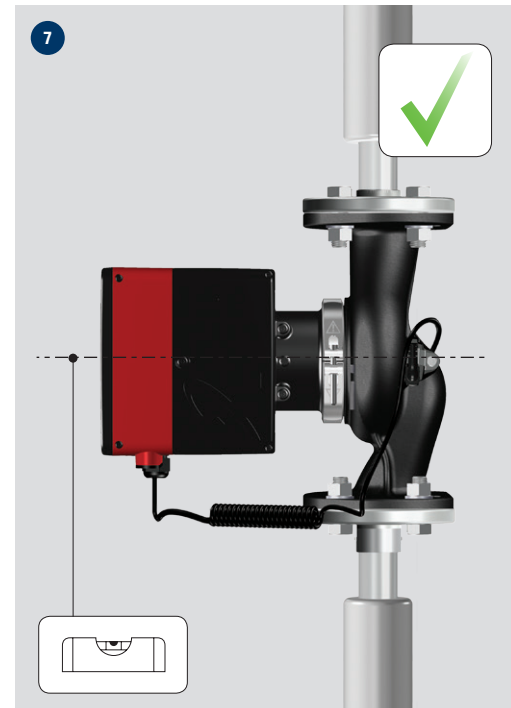
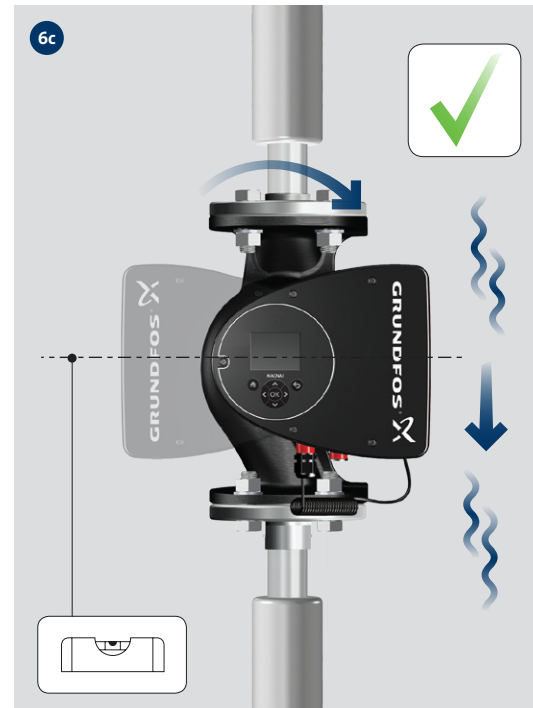
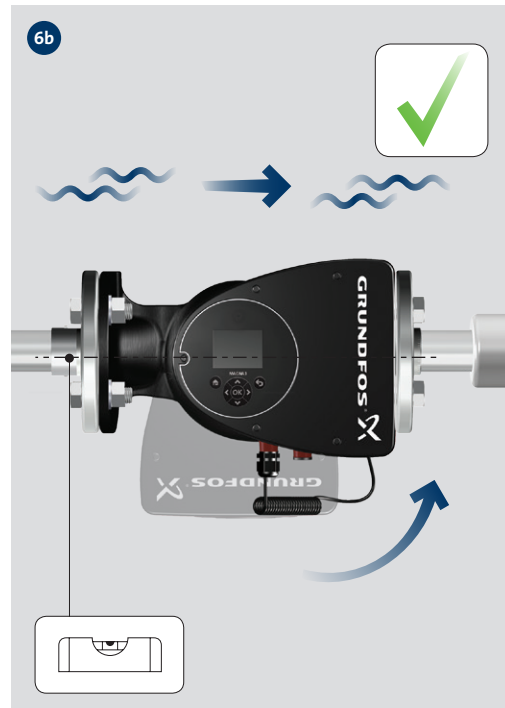
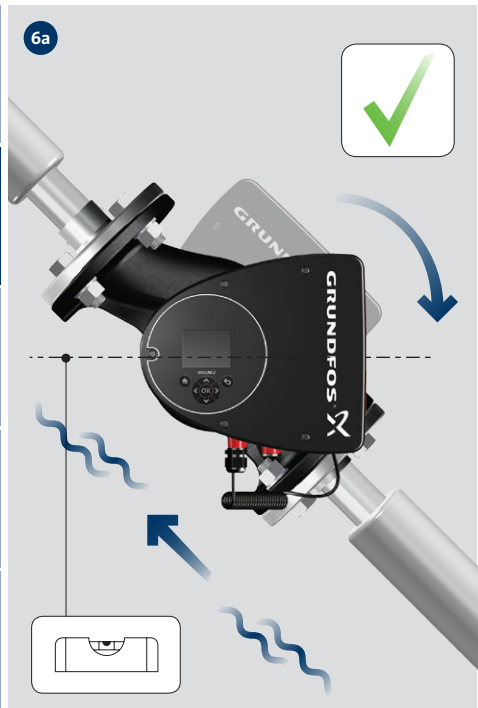
< 43 dB(A) 





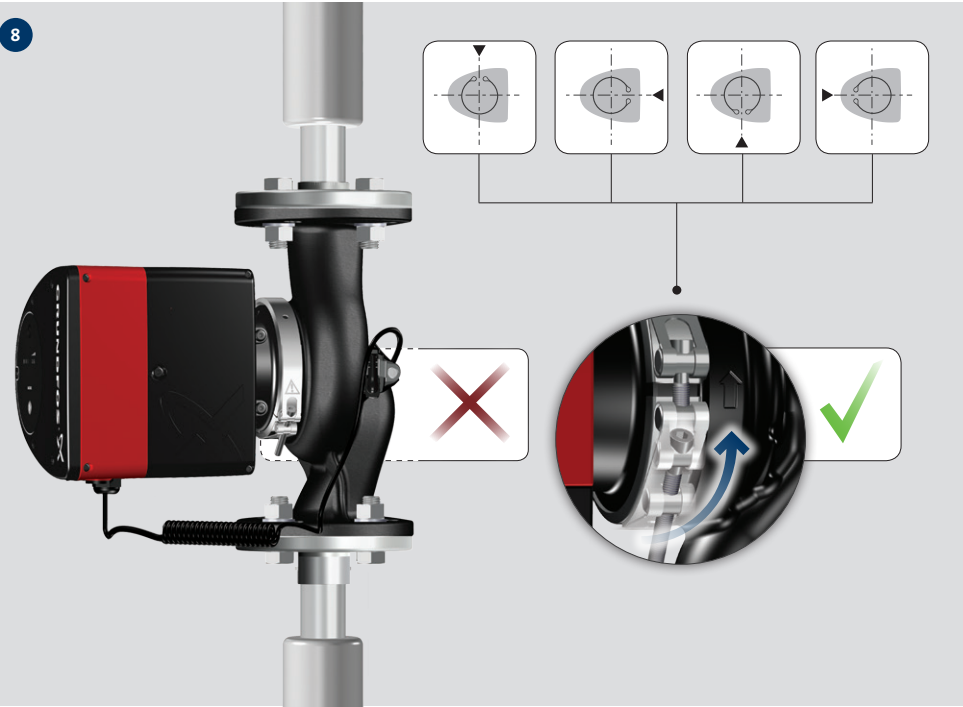




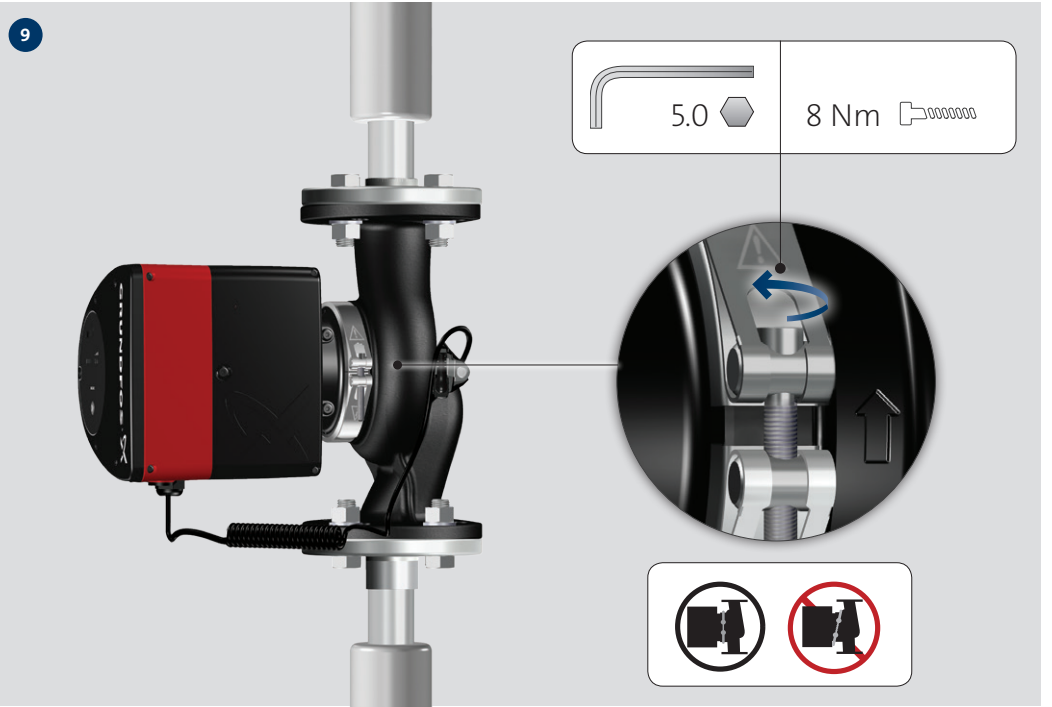




8



9





10

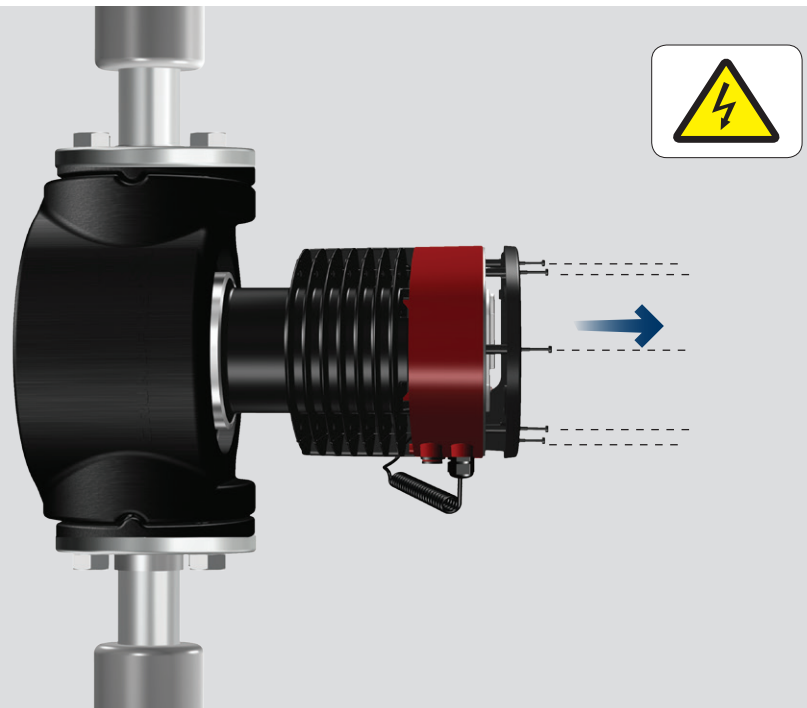


11

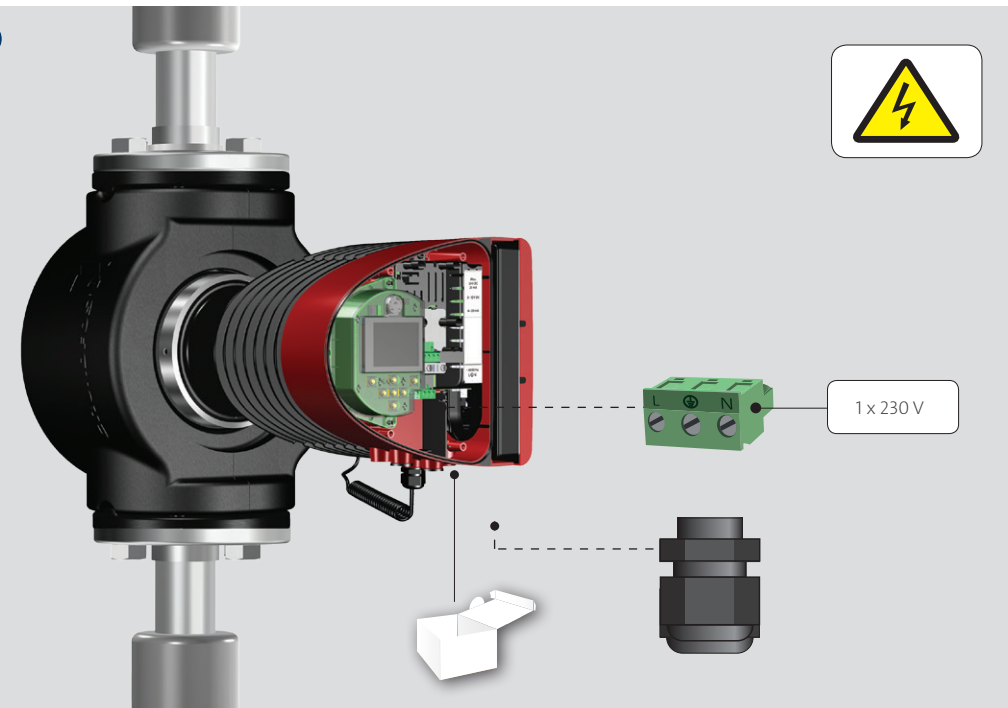


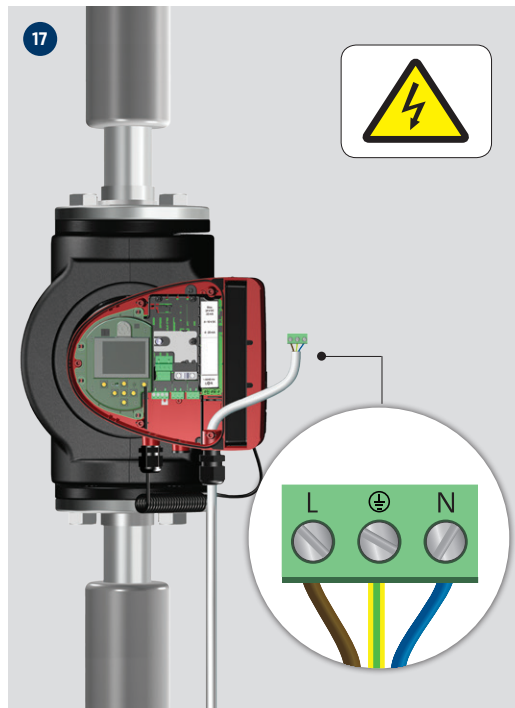
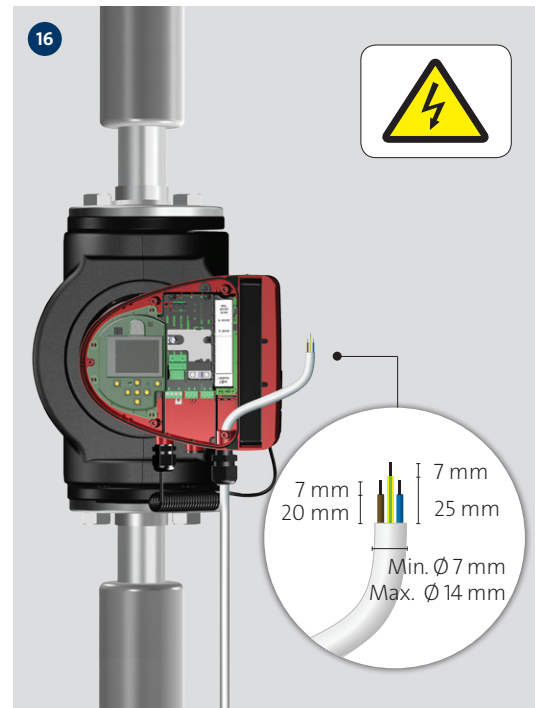
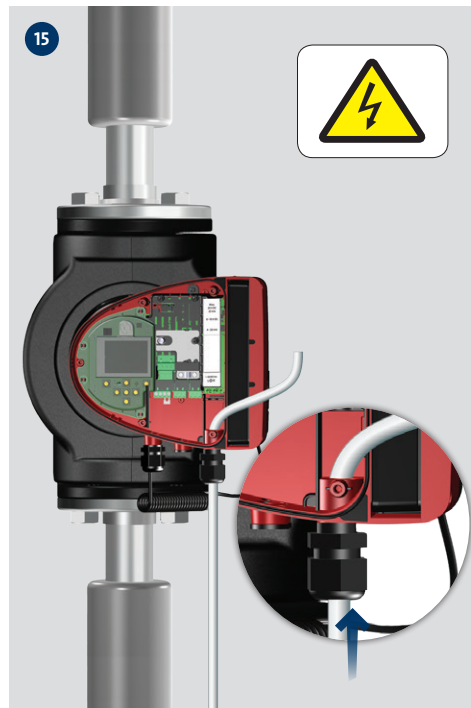
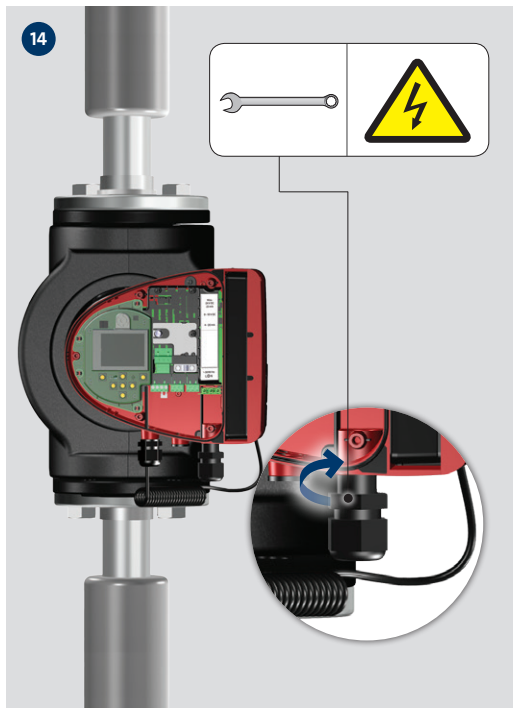


12



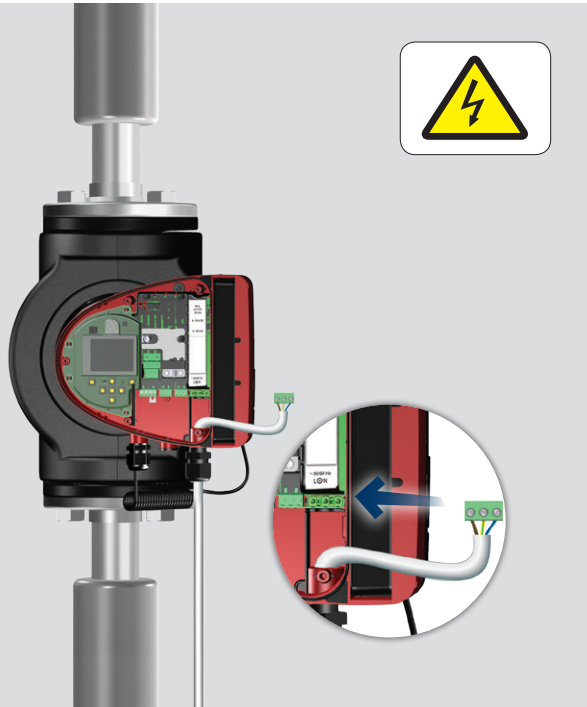
13



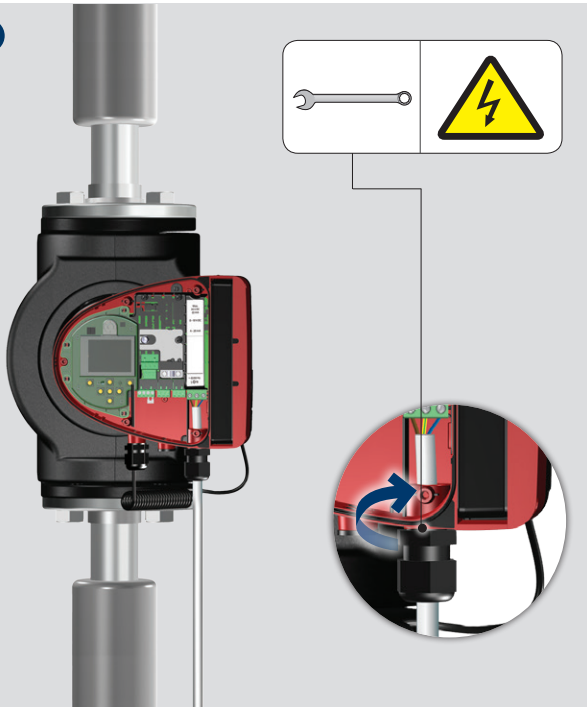




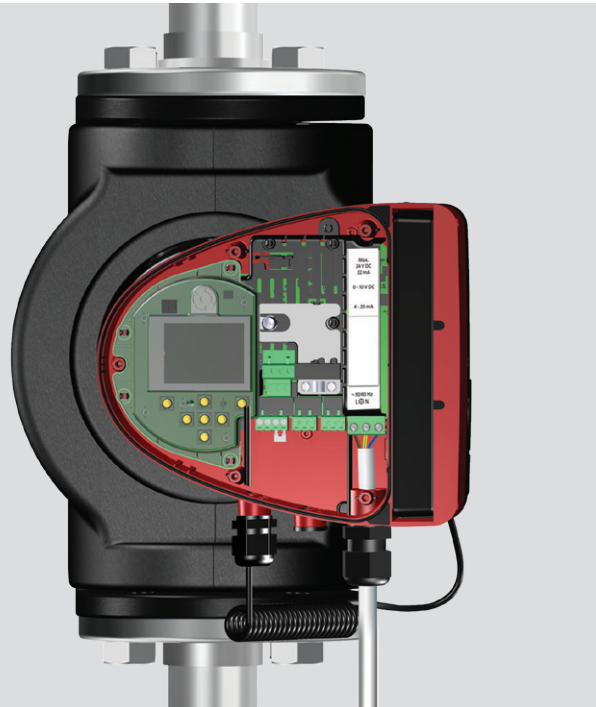
18



19

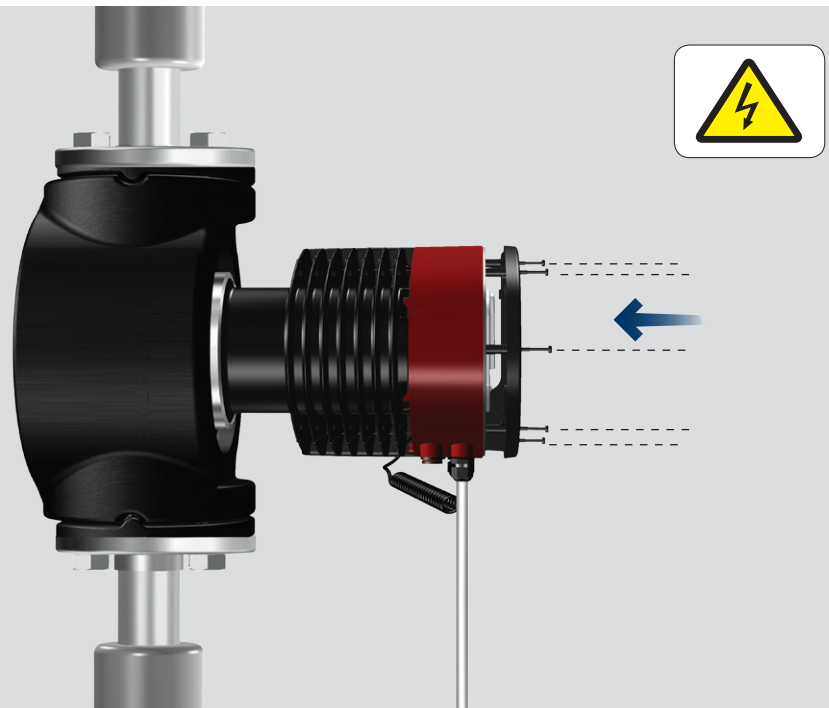


20





21



22



1x 230V ± 10%
~ 50/60 Hz ⚡






23




Power cycle
Max. 4 starts
per 60 minutes



24



Further product documentation



net.grundfos.com/qr/i/98091805



Installation date: _____

Installer:

98091803 0317

ECM: 1187410

GRUNDFOS Holding A/S
Poul Due Jensens Vej 7
DK-8850 Bjerringbro
Tel: +45 87 50 14 00
www.grundfos.com

GRUNDFOS 