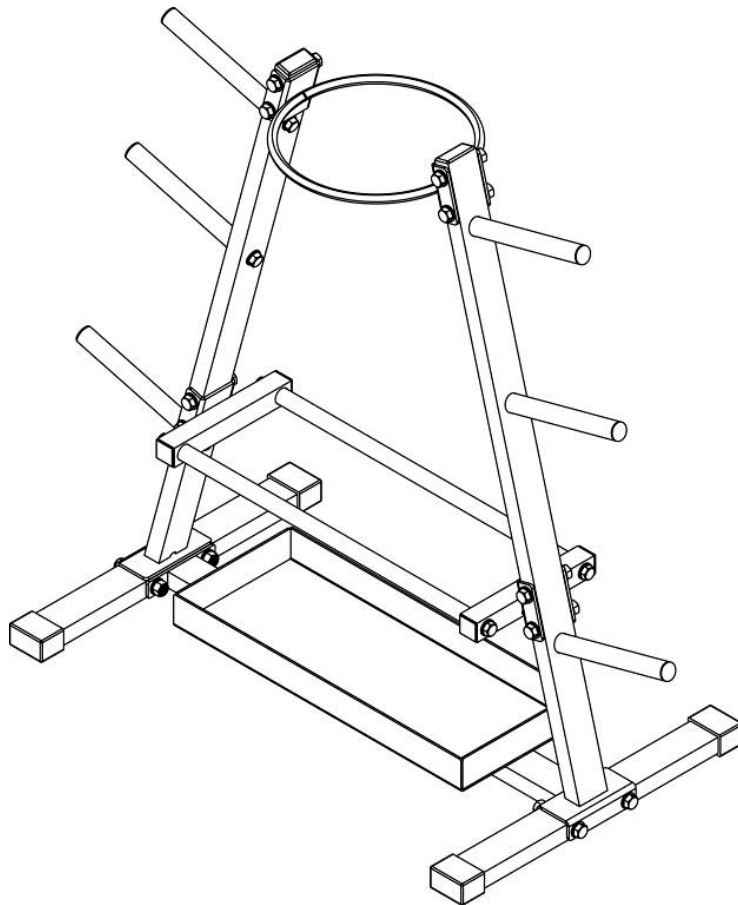


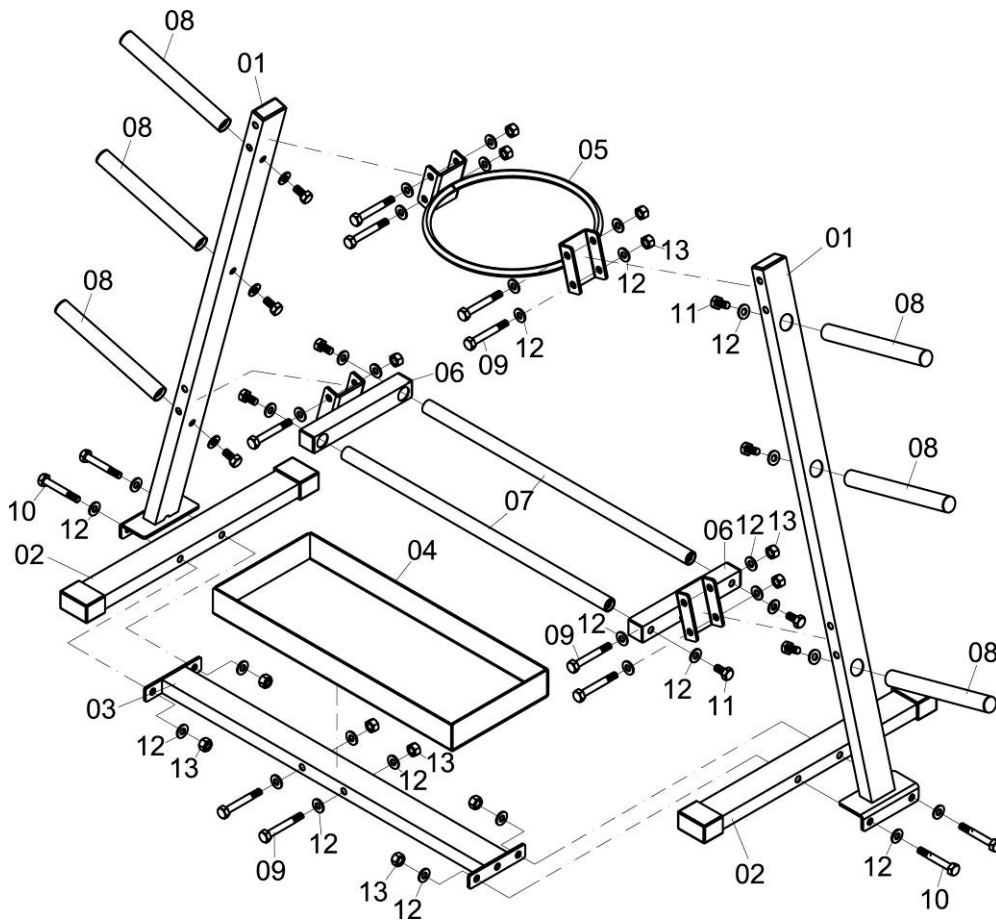
GYMSTICK™

RACK FOR IRON WEIGHT PLATES ASSEMBLY CHART



IMPORTANT: Retain this assembly chart for future reference. The specifications of this product may vary from this photo, subject to change without notice.

EXPLODED DIAGRAM



PARTS LIST

PART NO	DESCRIPTION	Q'TY	PART NO	DESCRIPTION	Q'TY
01	MAIN UPRIGHT FRAME	2	08	RP PLATE TUBE	6
02	FOOT TUBE	2	09	HEX BOLT M10*75	10
03	BOTTOM CONNECT TUBE	1	10	HEX BOLT M10*70	4
04	BOTTOM CONNECT RACK	1	11	HEX BOLT M10*20	10
05	TOP CONNECT RACK	1	12	WASHER Φ 10	38
06	MIDDLE CONNECT RACK	2	13	NYLON LOCK NUT M10	14
07	LONG ROUND TUBE	2			

Manufactured for:
 Gymstick International Oy
 Ratakartijankatu 11
 15170 Lahti, FINLAND