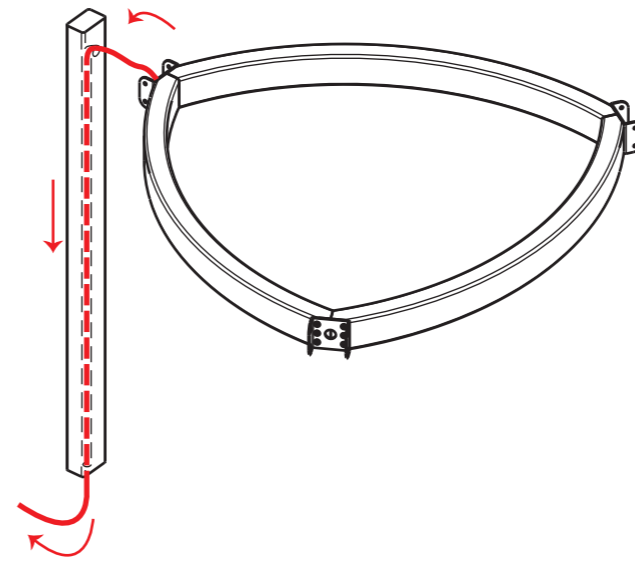
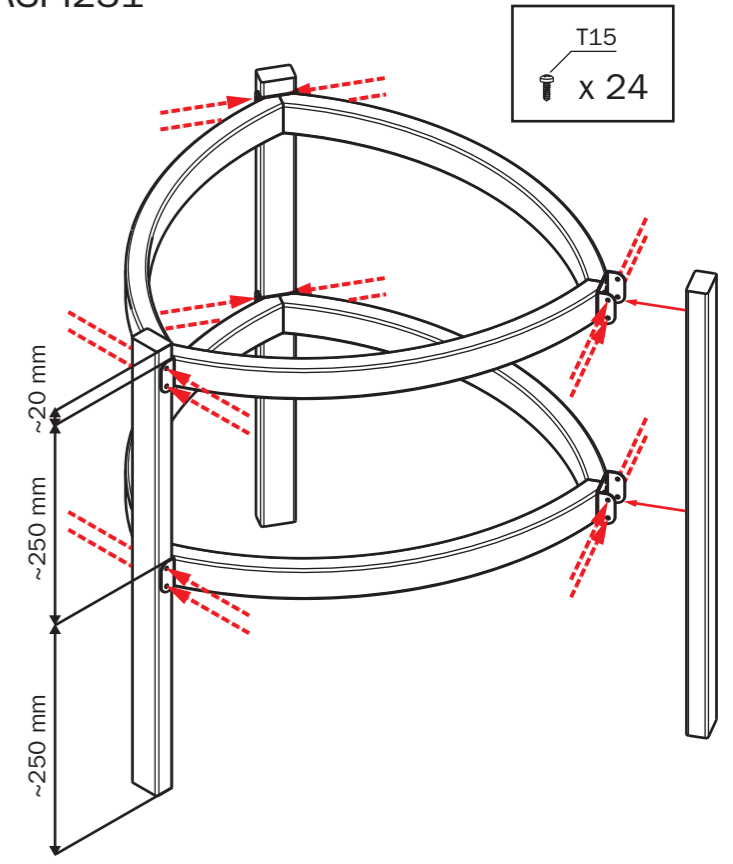


SASPI230	45	3	1	2	1	1
SASPI231	45	3	-	3	2	-

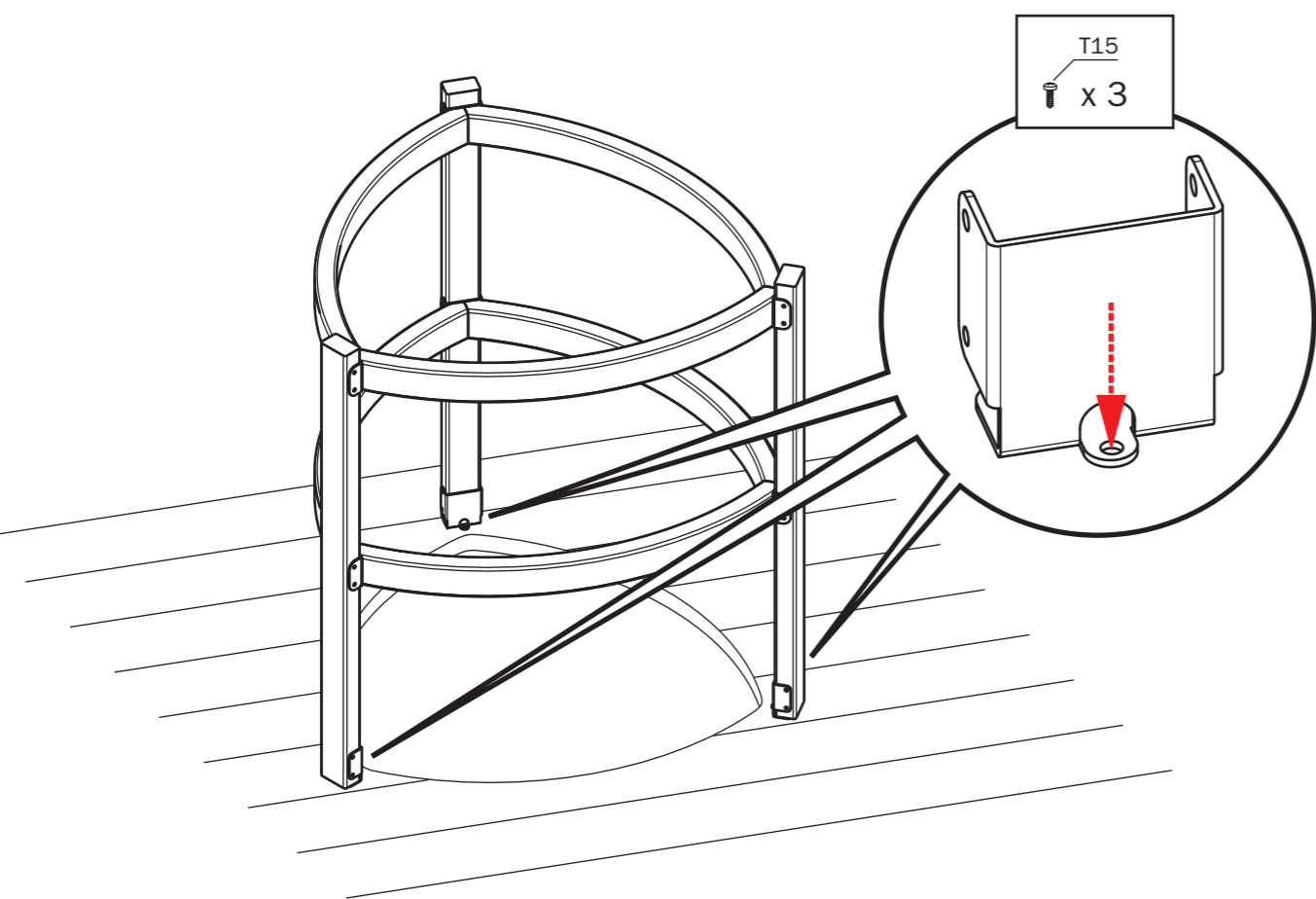
1 SASPI230



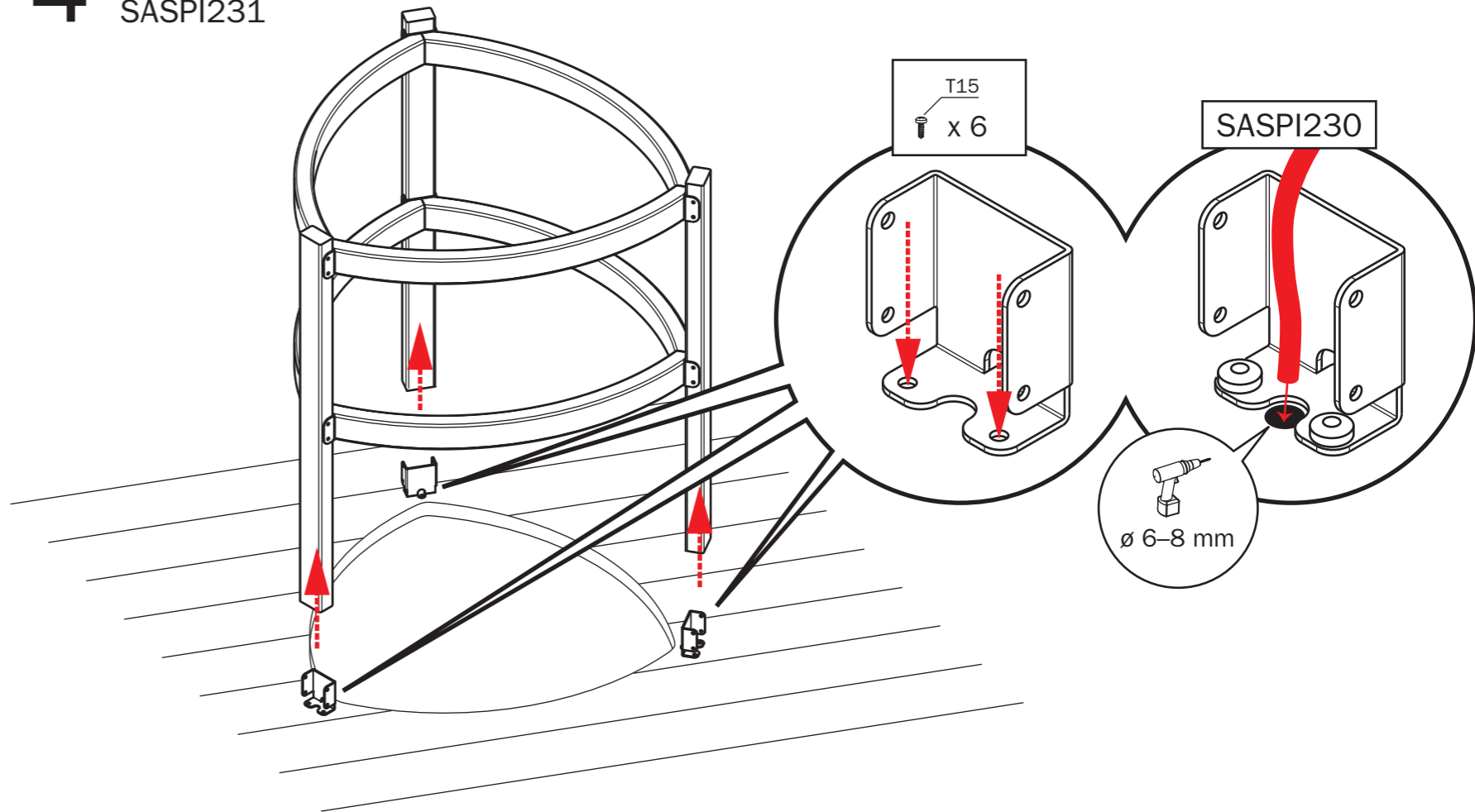
2 SASPI230 SASPI231



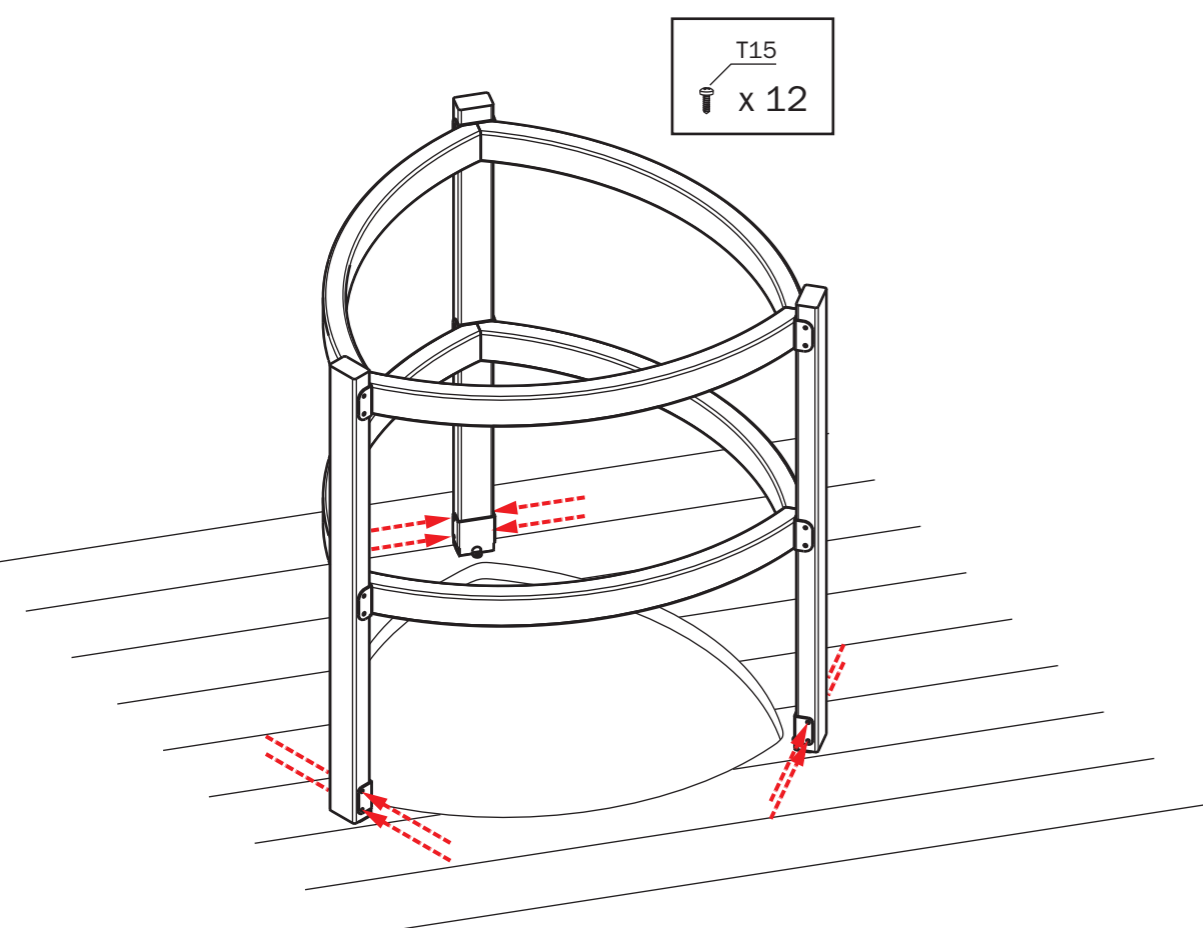
3 SASPI230 SASPI231



4 SASPI230 SASPI231



5 SASPI230 SASPI231



6 SASPI230

