



HEATIT DIN THERMOSTAT

Thermostat for DIN-Rail 3600W/16A

Art.no	5430439
GTIN	7071236019640

DIN thermostat. Heatit DIN Thermostat is an electronic multifunction thermostat designed for electrical heating. The thermostat has a user-friendly interface that can be controlled via the buttons on the front of the thermostat.

- Areas of use:
- Floor heating
 - Gutter de-icing
 - Industrial applications from -30°C to 85°C

The Heatit DIN Thermostat is a versatile solution for both residential and industrial use. It can function as a standard floor heating thermostat, offering simple temperature control with three modes: Heat, Cool, and Eco. Additionally, it features a specially designed industrial function (INDU) that allows it to handle setpoints ranging from -30°C to 85°C, making it ideal for demanding industrial applications. It can also be used as a plus/minus snow melting thermostat (PLUS), adjusting temperatures for efficient snow and ice melting on outdoor areas, driveways, or stairs. With the Heatit DIN Thermostat, you get precise temperature control for a wide range of purposes.

The thermostat clicks easily onto a standard DIN rail and can be installed in the main switchboard. The thermostat has connection for two external temperature sensors.

Heatit DIN Thermostat features active power metering, providing real-time information about your power consumption. It also allows you to set the power metering value manually in case of connection with a contactor.

The device has implemented ZeroX™ technology. This technology makes sure the relay switches at 0V when turning on and off. With this technology the thermostat will have a much longer lifetime.

Electrical Load Compatibility.
The thermostat is designed specifically for resistive loads. When controlling large resistive, capacitive, or inductive loads, it is essential to use an appropriate contactor to protect the thermostat from excessive load to ensure safe operation.

The thermostat can withstand a resistive load of up to 16A/3600W at 230VAC. For loads above 13A, we recommend using a contactor.

PRODUCT FEATURES

- DIN-Rail thermostat
- - External/Room sensor
- - Temperature/Floor sensor
- 3 modes: Heat - Cool - Eco
- PLUS; ± function
- Power regulator
- Temperature limiter
- Temperature calibration
- Hysteresis/PWM
- 2 temperature sensors (wired by cable)
- INDU - low and high temperatures -30°C to 85°C
- External antenna (not supplied with the device)
- ZeroX™ detection
- Open window detection
- Relay status icon
- Adjustable display brightness
- Single poled switch
- Lock mode/child lock
- Overload protection
- Overheat protection
- Active power metering

PRODUCT DATA

Material	Polycarbonate (PC)
Colour	Black Olive RAL 6015
Mounting	DIN Rail
Min. and max ambient humidity (RH%)	10 to 85%
Ambient temperature range in use	5 to 40°C
Ambient temperature range in storage	-30 to 70°C
Min/max installation temperature	5 to 40°C

THERMOSTAT DATA

Compatible NTC-sensors (kΩ @ 25°C)	6.8, 10, 12, 15, 22, 33, 47, 100
Power regulator	Timed cycle 0-30 minutes
Error margin temperature	0,5
Temperature sensitivity	±0,5
Hysteresis	0,3 to 3,0 (default hysteresis 0,5)
Ohm value at 25°C	10kΩ
Max length of NTC sensor	50m
Regulation temperature	-30 to 85°C

ADDITIONAL INFO

IP Code	IP20
Certification	Reach, RED, RoHS
Warranty international	2 years
Customs number	90321000
Country of origin	CN

ELECTRO TECHNICAL DATA

Voltage	230VAC 50Hz
Max load (resistive load)	3600W
Own power usage	0.5W
Switch type	One-pole switch
Max load (resistive load)	16A
Method of regulation	Button regulation
Connection type	Screw clamps
Connection terminals diameter	0.5 to 2.5mm²
Max tightening torque connections	2N-m
Voltage Output	230VAC 50Hz
Grounding	No



PRODUCT DIMENSIONS

Product height/diameter	85mm	Product Width	51mm
Product length	58mm	Product net weight	130g

MAINTENANCE

The device is maintenance-free. Indoor use only.

ADDITIONAL INFORMATION

Approved for use in bathrooms.

ZeroX™ Detection is pronounced Zero Cross Detection.

Heatit Controls AB declares that this product is in compliance with the essential requirements and other relevant provisions of Directive 2014/53/EU.

Standards: CE, Nemko, Z-Wave Plus

RETURN AND RECYCLING

The product must be recycled as electronic waste.

DISCLAIMER

The thermostat can withstand a resistive load of max 16A/3600W at 230VAC. We recommend a contactor for loads above 13A. The thermostat is designed for resistive loads. When using large resistive loads, and capacitive or inductive loads, use a contactor.

When used with 60Hz, the ZeroX™ will be in-active.

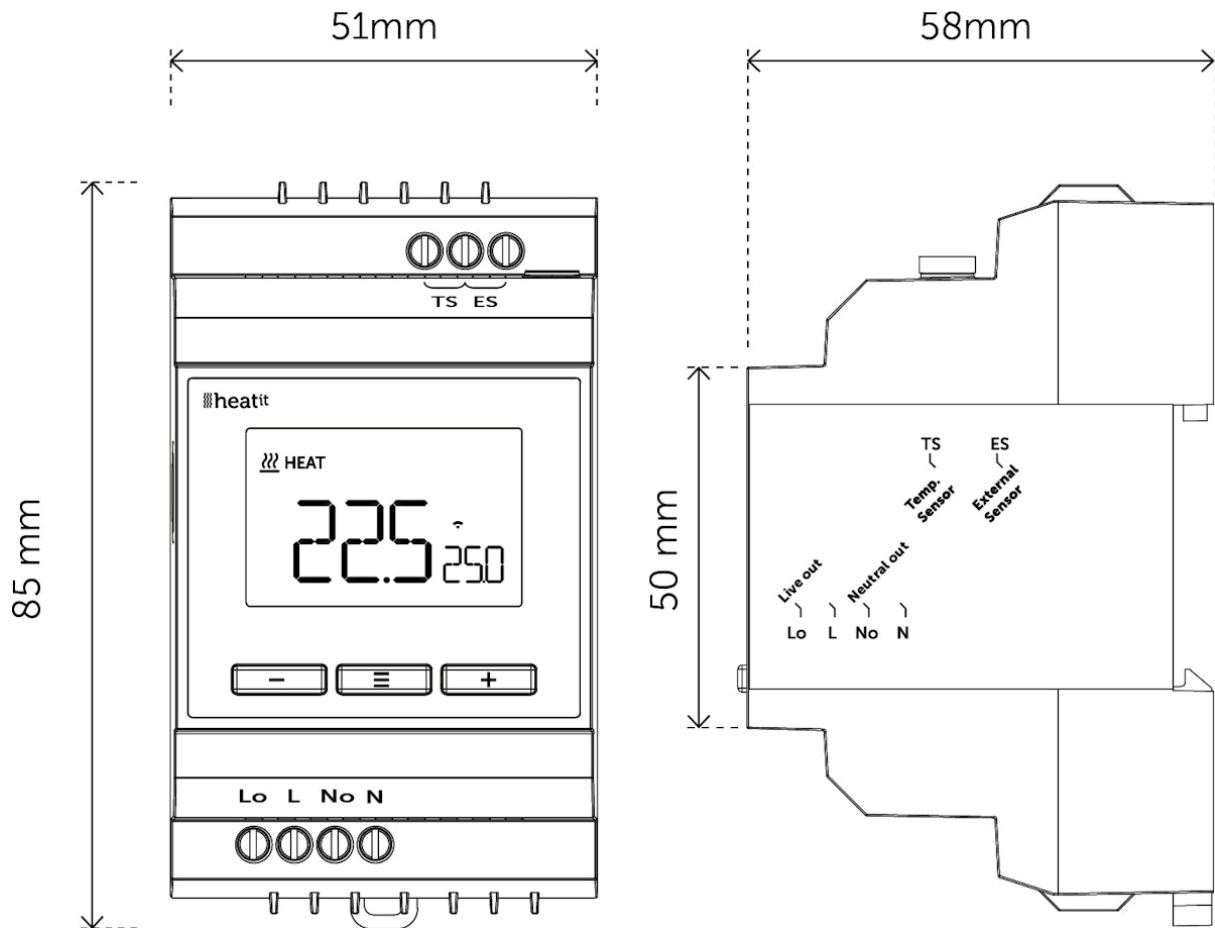
We develop and design our products according in accordance with our strict quality requirements (ISO 9001) and environmental requirements (ISO 14001).

All electrical installations must be carried out by an authorized electrical installer. The product must be installed in accordance with our installers manual and national building codes. Any wrongful installation, misuse, damage of the product, is not covered under warranty.

Updated documentation is available at www.heatit.com and/or documents.heatit.com

Heatit Controls AS can not be held liable for any type of errors or omissions in our product information.

Product specifications may change without further notice.



Heatit DIN Thermostat can be ordered from www.heatit.com/5430439

All additional documentation are available on the above adress and on documents.heatit.com/5430439

