



PRODUCT FEATURES

- 6 x 16A potential free relays
- Potential free circuit control
- DIN-rail module with 6 relay outputs and 6 digital inputs
- Z-Wave interface for other systems in order to control them through the Z-Wave network
- Mounted on DIN-rail in switchboard
- 2-pole switch solution when using 2 x relays combined
- Supports encryption mode S0, S2 Authenticated Class, S2 Unauthenticated Class
- Firmware update (OTA)

PRODUCT DATA

| | |
|----------------------------------|-----------|
| Colour | Grey |
| Ambient temperature range in use | 5 to 40°C |

STANDARDS

| | |
|---------------|-------------|
| Certification | RoHS, Reach |
| IP Code | IP20 |

WARRANTY

| | |
|------------------------|---------|
| Warranty international | 2 years |
|------------------------|---------|

HEATIT Z-DIN 616

6 x 16A Z-Wave relay for DIN rail

| | |
|---------------|---------------|
| Art.no | 4512561 |
| GTIN | 7071236014324 |

Heatit Z-DIN 616 is a 6 x 16A potential free relay for DIN-rail mounting. The module is equipped with 6 relay switches and 6 digital inputs.

The 6 independent relay switches can be controlled freely through the Z-Wave network and may be used for many different purposes. For example, the 6 digital inputs may be connected to potential-free connectors or open collector outputs, and the inputs allow you to control other Z-Wave devices by sending commands through the Z-Wave network.

The Heatit DIN-rail module can be used for connecting 6 x 230VAC loads freely controllable from the Z-Wave network. All 6 relay outputs are galvanically separated. The 6 inputs of the DIN-rail module allow you to activate predefined scenes in a Z-Wave primary controller.

IOT / SMART HOME SPECIFIC DATA

| | |
|---------------------------------------|--|
| Z-Wave Frequency | Z-Wave - 868.4 MHz (EU) |
| Z-Wave Chip | Z-Wave 500 chip |
| Alternate IoT-communication protocols | No alternative communication protocols |
| Min radio frequency range | 40m |
| Over The Air update (OTA) | Yes |
| Input connections | 6 x 1-pol load (potential free 5mm distance), max10V DC |
| Contacts type | Common Normally Open |
| Outputs | AC15: 360VA AC1: 16A 250V AC AC3: 750W (motor) 6 x 1-pole load (potential free) |
| Input impedance | 10kΩ |
| Z-Wave encryption mode | S2 Unauthenticated Class S0 S2 Authenticated Class |
| Primary IoT Protocol | Z-Wave |

ELECTRO TECHNICAL DATA

| | |
|-----------------------------------|---------------------------|
| Voltage | 24VDC |
| Max load (resistive load) | 40W |
| Own power usage | 0.6W |
| Max load (resistive load) | 16A |
| Connection type | Screw clamps |
| Connection terminals diameter | 0.2 to 2.5mm ² |
| Max tightening torque connections | 2N·m |
| Voltage Output | 24VDC |



PRODUCT DIMENSIONS

| | | | |
|-------------------------|-------|--------------------|-------|
| Product height/diameter | 70mm | Product Width | 140mm |
| Product length | 100mm | Product net weight | 280g |

MAINTENANCE

The device is maintenance-free. Indoor use only.

ADDITIONAL INFORMATION

The product must be used with a security-enabled Z-Wave Controller in order to fully utilize security/encryption.

PRODUCT INFO RETURN AND RECYCLING

The product must be recycled as electronic waste.

DISCLAIMER

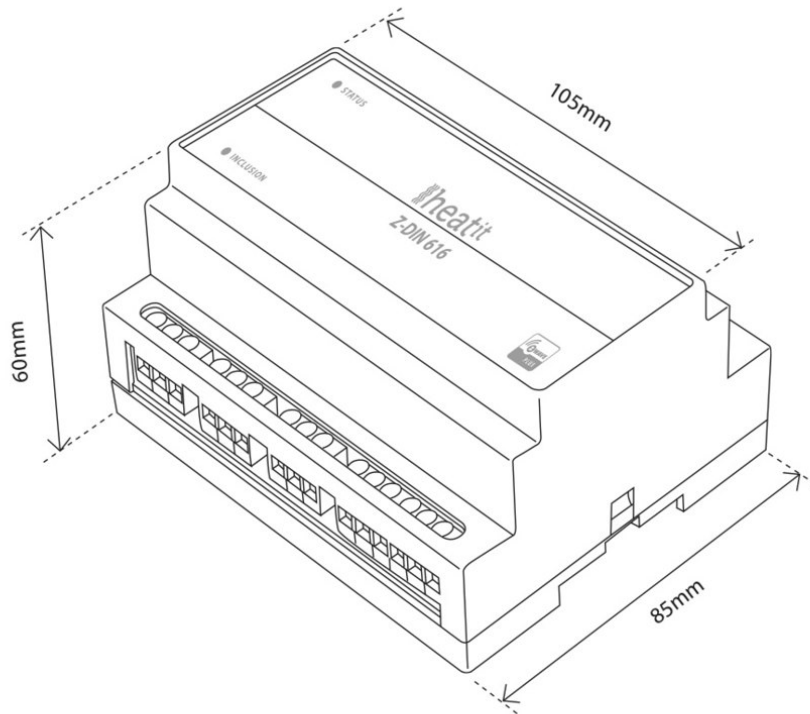
We develop and design our products according in accordance with our strict quality requirements (ISO 9001) and environmental requirements (ISO 14001).

All electrical installations must be carried out by an authorized electrical installer. The product must be installed in accordance with our installers manual and national building codes. Any wrongful installation, misuse, damage of the product, is not covered under warranty.

Updated documentation is available at www.heatit.com and/or documents.heatit.com

Heatit Controls AB can not be held liable for any type of errors or omissions in our product information.

Product specifications may change without further notice.



Heatit Z-DIN 616 can be ordered from www.heatit.com/4512561

All additional documentation are available on the above adress and on documents.heatit.com/4512561

