



# Husqvarna®



## LB 146i



EN	Operator's manual	2-22
BG	Ръководство за експлоатация	23-46
CS	Návod k použití	47-68
DA	Brugsanvisning	69-90
DE	Bedienungsanweisung	91-113
EL	Οδηγίες χρήσης	114-137
ES	Manual de usuario	138-160
ET	Kasutusjuhend	161-180
FI	Käyttöohje	181-200
FR	Manuel d'utilisation	201-223
HR	Priručnik za korištenje	224-244
HU	Használati utasítás	245-267
IT	Manuale dell'operatore	268-289
JA	取扱説明書	290-310
LT	Operatoriaus vadovas	311-332
LV	Lietošanas pamācība	333-354
NL	Gebruiksaanwijzing	355-377
NO	Bruksanvisning	378-398
PL	Instrukcja obsługi	399-421
PT	Manual do utilizador	422-444
RO	Instrucțiuni de utilizare	445-466
RU	Руководство по эксплуатации	467-491
SK	Návod na obsluhu	492-513
SL	Navodila za uporabo	514-534
SR	Priručnik za rukovaoca	535-556
SV	Bruksanvisning	557-577
TR	Kullanım kılavuzu	578-598
UK	Посібник користувача	599-622

---

## Contents

---

Introduction.....	2	Troubleshooting.....	17
Safety.....	4	Transportation, storage and disposal.....	19
Assembly.....	11	Technical data.....	19
Operation.....	12	EC Declaration of Conformity.....	22
Maintenance.....	15		

---

## Introduction

---

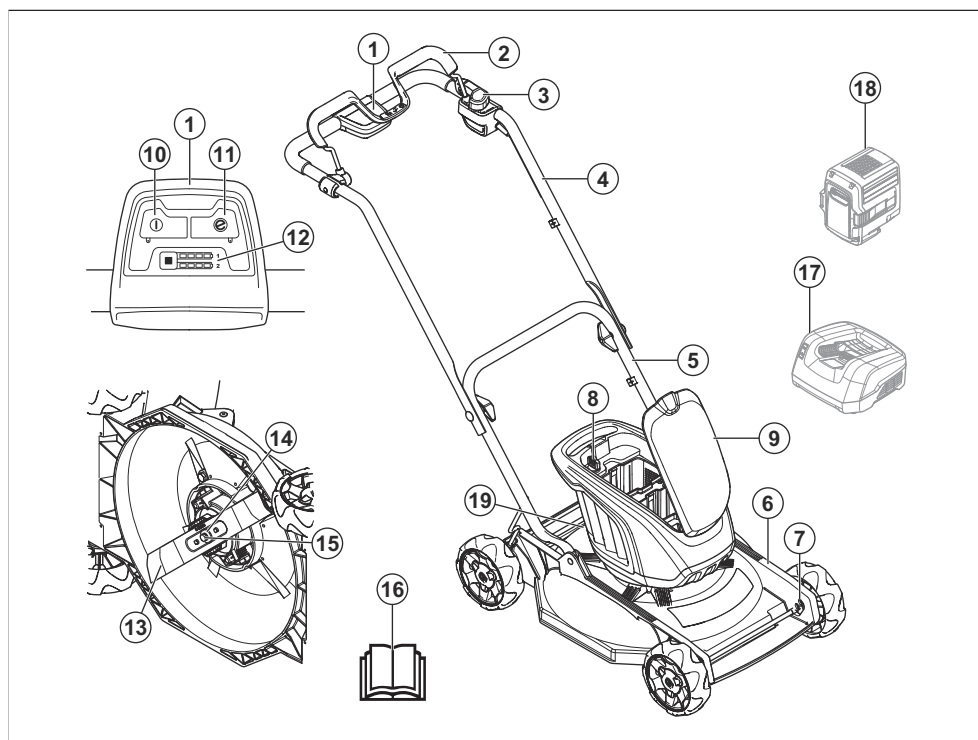
### Product description

The product is a pedestrian-controlled rotary lawn mower that uses BioClip to cut the grass into fertilizer.

### Intended use

Use the product to cut grass. Do not use the product for other tasks.

### Product overview



- |                           |   |
|---------------------------|---|
| 1. Control panel          | 8. Safety key                                   |
| 2. Motor brake handle     | 9. Battery cover                                |
| 3. Start inhibitor        | 10. ON/OFF button                               |
| 4. Upper handle           | 11. SavE button                                 |
| 5. Lower handle           | 12. Battery charge indicator and battery button |
| 6. Cutting cover          | 13. Blade                                       |
| 7. Cutting height control | 14. Spring washer                               |

- 15. Blade bolt
- 16. Operator's manual
- 17. Battery charger (Accessory)
- 18. Battery (Accessory)
- 19. Rating plate with QR code

## Symbols on the product



Warning: Not careful or incorrect use can result in injury or death for the operator or others.



Read the operator's manual carefully and make sure that you understand the instructions before use.



Keep persons and animals at a safe distance from the work area.



Look out for thrown objects and ricochets.



Warning: Keep hands and feet away from the rotating blade.



Warning: Keep hands and feet away from rotating parts.



Remove the safety key before you do repair work or maintenance.



Do not expose to rain



The product or package of the product is not domestic waste. Recycle it at a recycling station for electrical and electronic equipment.



The product agrees with applicable EC directives.



The product agrees with applicable Eurasian Customs Union directives.



The product agrees with applicable UkrSEPRO directives.



The product agrees with applicable RCM directives. Applies to AU/NZ only



Noise emission to the environment according to the European Community's Directive. The product's emission is specified in the Technical data chapter and on the label.

**IPX1**

IPX1 - Drip protected



Start procedure: push the ON/OFF button, loosen the start inhibitor, push the motor brake handle down.

DANGER – Keep hands and feet away.

## Product liability

As referred to in the product liability laws, we are not liable for damages that our product causes if:

- the product is incorrectly repaired.
- the product is repaired with parts that are not from the manufacturer or not approved by the manufacturer.
- the product has an accessory that is not from the manufacturer or not approved by the manufacturer.
- the product is not repaired at an approved service center or by an approved authority.



Release the motor brake handle to stop.

**Note:** Other symbols/decals on the product refer to certification requirements for some markets.

## Label on the product



## Safety

### Safety definitions

Warnings, cautions and notes are used to point out specially important parts of the manual.



**WARNING:** Used if there is a risk of injury or death for the operator or bystanders if the

instructions in the manual are not obeyed.



**CAUTION:** Used if there is a risk of damage to the product, other materials or the adjacent area if the instructions in the manual are not obeyed.

---

**Note:** Used to give more information that is necessary in a given situation.

---

## General safety instructions

---



**WARNING:** Read the warning instructions that follow before you use the product.

---

- This product is dangerous if used incorrectly or if you are not careful. Injury or death can occur if you do not obey the safety instructions.
  - This product produces an electromagnetic field during operation. This field may under some circumstances interfere with active or passive medical implants. To reduce the risk of serious or fatal injury we recommend persons with medical implants to consult their physician and the medical implant manufacturer before operating this product.
  - Always be careful and use your common sense. If you are not sure how to operate the product in a special situation, stop and speak to your Husqvarna dealer before you continue.
- Keep in mind that the operator will be held responsible for accidents that involve other persons or their property.
  - Keep the product clean. Make sure that you can clearly read signs and decals.
  - Never allow children or people unfamiliar with these instructions to use the appliance. Local regulations may restrict the age of the operator
  - Always monitor a person, with decreased physical capacity or mental capacity, that uses the product. A responsible adult must be there at all times.
  - Do not use the product if you are tired, ill, or under the influence of alcohol, drugs or medicine. This has a negative effect on your vision, alertness, coordination and judgment.
  - Do not use the product if it is defective.
  - Do not change this product or use it if it is possible that it has been changed by others.

## Work area safety

---



**WARNING:** Read the warning instructions that follow before you use the product.

---

- Remove objects such as branches, twigs and stones from the work area before you use the product.
- Objects that hit against the cutting equipment can eject and cause damage to persons and objects. Keep bystanders and animals at a safe distance from the product.
- Never use the product in bad weather such as fog, rain, strong winds, intense cold and risk of lightning. To use the product in bad weather or in moist or wet locations is tiring. Bad weather can cause dangerous conditions, such as slippery surfaces.
- Look out for persons, objects and situations that can prevent safe operation of the product.
- Look out for obstacles, such as roots, stones, twigs, pits and ditches. Long grass can hide obstacles.
- To cut grass on slopes can be dangerous. Do not mow excessively steep slopes. Do not use the product on ground that slopes more than 15°
- Exercise extreme caution when changing direction on slopes. Operate the product across the face of slopes. Do not move up and down.

- Be careful when you go near hidden corners and objects that prevent a clear view.

## Work safety

---



**WARNING:** Read the warning instructions that follow before you use the product.

---

- Use this product to cut grass lawns only. It is not permitted to use it for other tasks.
- Use personal protective equipment. Refer to *Personal protective equipment on page 7*.
- Make sure that you know how to stop the motor quickly in an emergency.
- Do not operate the product in rain or wet conditions. The risk of electrical shock increases if water enters the product.
- Do not operate the product unless the blade and all covers are attached correctly. An incorrectly attached blade can come loose and cause personal injury.
- Make sure that the blade does not hit objects such as stones and roots. This can do damage to the blade and bend the motor shaft. A bent axle causes heavy vibration and a

very high risk that the blade becomes loose.

- If the blade hits an object or if vibrations occur, stop the product immediately. Stop the motor, turn the safety key to 0 and remove the battery. Examine the product for damages. Repair damages or let an authorised service agent do the repair.
- Never attach the motor brake handle permanently to the handle when the motor is started.
- Put the product on a stable, flat surface and start it. Make sure that the blade does not hit the ground or other objects.
- Always stay behind the product when you operate it.
- Let all the wheels stay on the ground and keep 2 hands on the handle when you operate the product. Keep your hands and feet away from the rotating blades.
- Do not tilt the product when the motor is started.
- Be careful when you pull the product rearward.
- Never lift up the product when the motor is started. If you must lift the product, first stop the motor, turn the safety key to 0 and remove the battery.
- Do not walk rearward when you operate the product.
- Stop the motor when you move across areas without grass, for example paths made of gravel, stone and asphalt.
- Do not run with the product when the motor is started. Always walk when you operate the product.
- Stop the motor before you change the cutting height. Never make adjustments with the motor started.
- Never let the product stay out of view with the motor started. Stop the motor and make sure that the cutting equipment does not rotate.

#### Safety instructions for operation

#### Personal protective equipment



**WARNING:** Read the warning instructions that follow before you use the product.

---

- Personal protective equipment cannot fully prevent injury but it decreases the degree of injury if an accident does occur. Let your dealer help you select the right equipment.
- Use heavy-duty slip-resistant boots or shoes. Do not use

open shoes or go with bare feet.

- Use heavy, long pants.
- Use protective gloves when necessary, for example when you attach, examine or clean the cutting equipment.

### Safety devices on the product



**WARNING:** Read the warning instructions that follow before you use the product.

- Do not use a product with defective safety devices.
- Do a check of the safety devices regularly. If the safety devices are defective, speak to your Husqvarna service agent.

### To do a check of the cutting cover

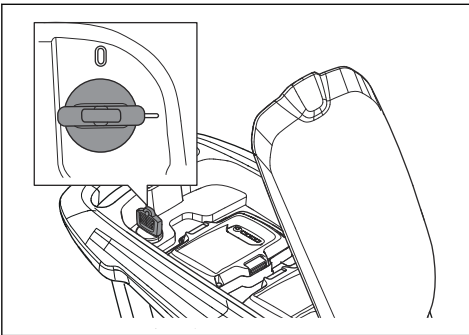
The cutting cover decreases vibrations in the product and decreases the risk of injury from the blade.

- Examine the cutting cover to make sure that there are no damages such as cracks.

### Safety key

The safety key is below the battery lid. The safety key connects the battery that supplies the motor with power.

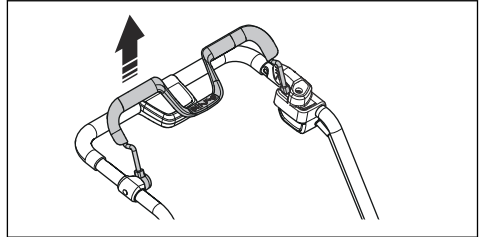
- Start and stop the motor to do a check of the safety key.
- If the safety key operates correctly, the motor can only start when the safety key is in position 1.



### Motor brake handle

The motor brake handle stops the motor. When the motor brake handle is released, the motor stops.

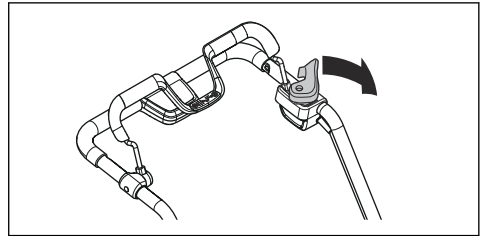
To do a check of the motor brake, start the motor and then release the motor brake handle. If the motor does not stop in 3 seconds, let an approved Husqvarna service agent adjust the motor brake.



### To examine the start inhibitor

Do a check of the start inhibitor to make sure that it prevents operation of the motor.

1. Push the motor brake handle in the direction of the handlebar. The start inhibitor stops the movement.
2. Push the start inhibitor out.



3. Release the start inhibitor and make sure that it goes back to its initial position.

### Battery safety



**WARNING:** Read the warning instructions that follow before you use the product.

- Use Husqvarna rechargeable batteries as a power supply for related Husqvarna products only. To prevent injury, do not



use the battery as a power supply for other devices.

- Do not use non-rechargeable batteries.
- Risk of electrical shock. Do not connect the battery terminals to keys, coins, screws or other metal. This can cause a short circuit of the battery.
- Do not put objects into the air slots of the battery.
- Keep the battery away from sunlight, heat or open flame. The battery can explode and cause burns and/or chemical burns.
- Keep the battery away from rain and wet conditions.
- Keep the battery away from microwaves and high pressure.
- Do not try to disassemble or break the battery.
- If the battery leaks, do not let the liquid touch your body or eyes. If you have touched the liquid, clean the area with a large quantity of water and get medical aid.
- Use the battery in temperatures between  $-10^{\circ}\text{C}$  and  $40^{\circ}\text{C}$ .
- Do not clean the battery or the battery charger with water.  
*See To clean the battery and*

*the battery charger on page 16.*

- Do not use a defective or damaged battery.
- Keep batteries in storage away from metal objects such as nails, coins, jewellery.

## Battery charger safety

---



**WARNING:** Read the warning instructions that follow before you use the product.

---

- Use the QC battery chargers to charge Husqvarna replacement batteries only.
- Risk of electrical shock or short circuit. Do not put objects into the air slots of the charger. Do not try to disassemble the battery charger. Do not connect the charger terminals to metal objects. Use an approved mains socket.
- This product produces an electromagnetic field during operation. This field may under some circumstances interfere with active or passive medical implants. To reduce the risk of serious or fatal injury, we recommend persons with medical implants to consult their physician and the

medical implant manufacturer before operating this product.

- Regularly make sure that the power cord of the battery charger is not damaged and that there are no cracks in it.
- Do not lift the battery charger by the power cord. To disconnect the battery charger from a mains socket, pull out the plug. Do not pull the power cord.
- Keep the power cord and extension cables away from water, oil and sharp edges. Make sure that the cable is not pinched in doors, fences or equivalent. It can cause the charger to become energized.
- Do not clean the battery charger with water.
- The battery charger can be used by children aged from 8 years and above and persons with reduced physical, sensory, or mental capabilities or lack of experience and knowledge if they have been given supervision or instruction concerning use of the battery charger in a safe way and understand the hazards involved. Children shall not play with the battery charger. Cleaning and user maintenance shall not be

made by children without supervision.

- Do not charge non-rechargeable batteries in the battery charger.
- Do not use the battery charger near flammable materials or materials that can cause corrosion. Do not cover the battery charger. Pull out the plug to the battery charger if there is smoke or fire.
- Do not use a defective or damaged battery charger.
- Only charge the battery indoors in a room with good airflow and away from sunlight. Do not charge the battery in wet conditions.

### Safety instructions for maintenance

---



**WARNING:** Read the warning instructions that follow before you use the product.

---

- To prevent accidental start during maintenance, turn the safety key to 0 and remove the battery. Wait at minimum 5 seconds before you start the maintenance.
- Do the maintenance work correctly to increase the lifetime of the product and

- decrease the risk of accidents. Let an approved service agent do the professional repairs. Speak to your nearest service agent for more information.
- Only do the maintenance work written in this operator's manual. More extensive work must be done by an approved service agent.
  - Put on heavy duty gloves when you use the cutting equipment. The blade is very sharp and cuts can easily occur.
  - Keep the cutting edges sharp and clean for the best and safest performance.
  - Let your service agent regularly examine the product and make necessary adjustments and repairs.
  - Replace damaged, worn or broken parts.
  - Obey the instructions for how to change accessories. Only use accessories from the manufacturer.
  - When not in operation, keep the product, battery and battery charger apart in a dry, indoor and locked area. Make sure that children and persons that are not approved cannot get access to the product, battery or battery charger.

---

## Assembly

---

### Introduction

---



**WARNING:** Before you assemble the product, read the safety chapter.

---



**WARNING:** To prevent accidental start during assembly, turn the safety key to 0, remove the battery and wait at minimum 5 seconds.

---

### To assemble the handle

---

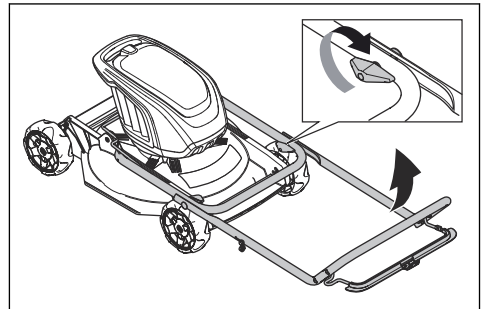


**CAUTION:** Do not twist the cables.

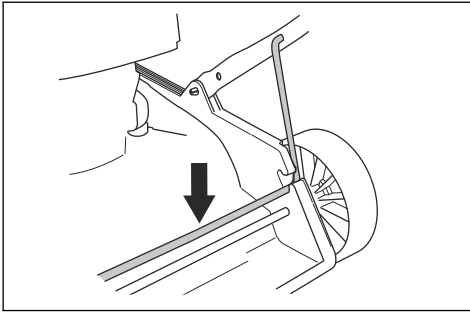
---

1. Align the holes in the upper handle with the holes in the lower handle.

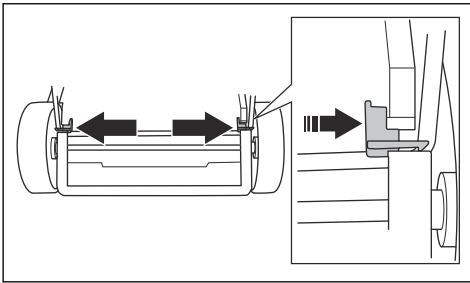
2. Tighten the knobs on right and left sides fully and fold the handle up.



3. Put the stay in the groove on the cutting cover.



4. Attach the 2 stops that lock the stay and the handle. Push them fully into position.



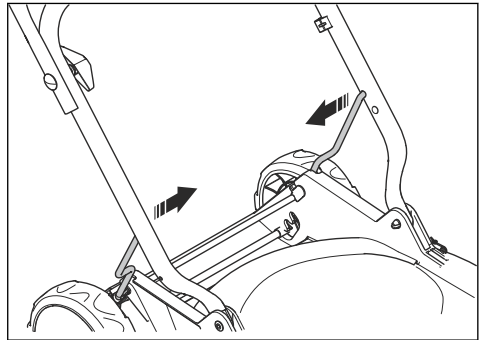
**Note:** There are 2 stops, one identified with an H and one with a V. Put the stop with an H on the right side and the stop with a V on the left side.



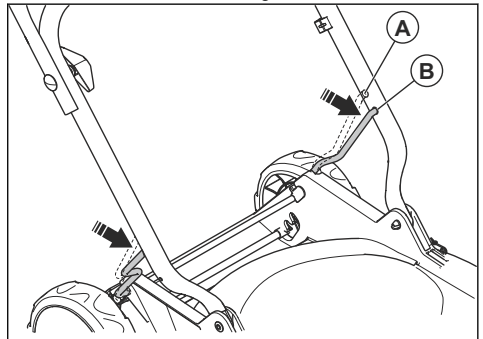
**CAUTION:** Do not operate the product if the 2 stops are not attached.

## To adjust the handle height

1. Remove the handle stay from the lower handle.



- Put the handle stay in the top hole (A) to decrease the handle height.
- Put the handle stay in the bottom hole (B) to increase the handle height.



## Operation

### Introduction



**WARNING:** Before you operate the product, you must read and understand the safety chapter.

### Husqvarna Connect

Husqvarna Connect is a free app for your mobile device. The Husqvarna Connect app gives extended functions for your Husqvarna product:

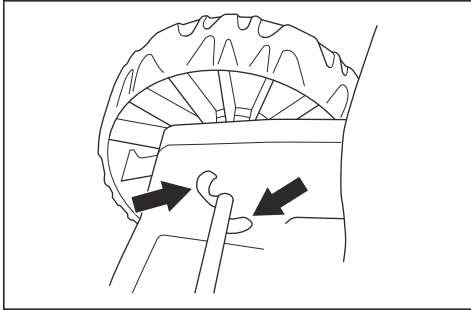
- Extended product information.
- Information about, and help with, product parts and servicing.

### To start to use Husqvarna Connect

- Download the Husqvarna Connect app on your mobile device.
- Register in the Husqvarna Connect app.
- Do the instruction steps in the Husqvarna Connect app to connect and register the product.

## To set the cutting height

- Press the shaft out and move it to the correct position for each of the 4 wheels.



**CAUTION:** Do not set the cutting height too low. The blades can hit the ground if the surface of the lawn is not level.

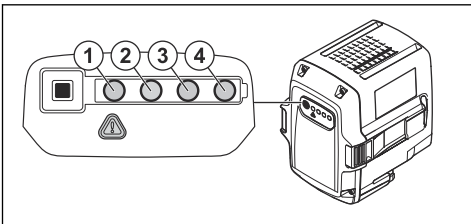
## Battery



**WARNING:** Before you use the battery, you must read and understand the safety chapter. You must also read and understand the operator's manual for the battery and the battery charger.

## Battery status

The display shows the remaining battery capacity and if there are problems with the battery. The battery capacity is shown for 5 seconds after the product is switched off or the battery indicator button is pressed. The warning symbol on the battery is on when an error has occurred. See *Battery on page 17*.



LED lights	Battery status
All LEDs are lit	Fully charged (75-100%)
LED 1, LED 2, LED 3 are lit	The battery is 50%-75% charged
LED 1, LED 2 are lit	The battery is 25%-50% charged

LED lights	Battery status
LED 1 is lit	The battery is 0%-25% charged.
LED 1 flashes	The battery is empty. Charge the battery.

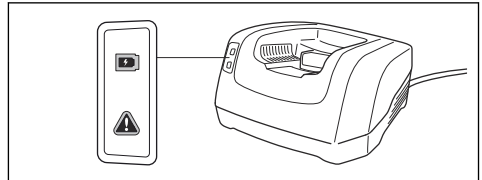
## To charge the battery

Charge the battery before the first use. The battery is only 30% charged when supplied to the customer.

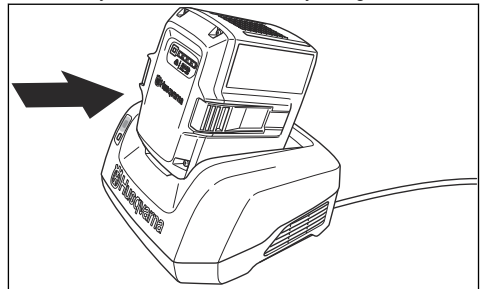
**Note:** The battery charger must be connected to the voltage and frequency specified on the rating plate.

The battery does not charge if the battery temperature is above 50°C. The battery charger decreases the temperature of the battery before it starts to charge.

1. Connect one end of the power cord for the battery charger into the socket of the battery charger.
2. Connect the other end of the power cord for the battery charger in an grounded mains socket. The LED on the battery charger flashes green one time.



3. Put the battery in the battery charger. The green light on the charger comes on when the battery is correctly connected to the battery charger.



4. When all LEDs on the battery have come on the battery is fully charged. Charge the battery for maximum 24 hours.
5. To disconnect the battery charger from the mains socket, pull the plug, not the power cord.
6. Remove the battery from the battery charger.

## Battery charging status

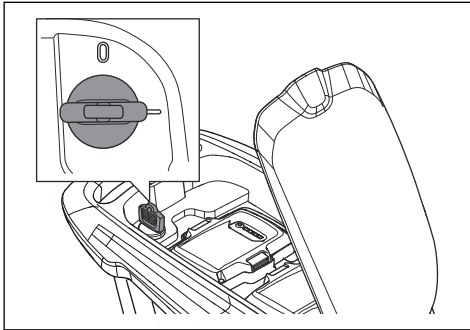
A Husqvarna Li-ion battery can be charged or used at all charging levels. The battery is not damaged. A fully

charged battery will not decrease its charge when the battery is left in the charger.

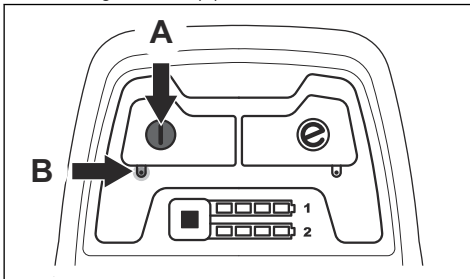
LED display	Charging status
LED 1 flashes	0%-25%
LED 1 is lit, LED 2 flashes	25%-50%
LED 1, LED 2 are lit, LED 3 flashes	50%-75%
LED 1, LED 2, LED 3 are lit, LED 4 flashes	75%-100%
LED 1, LED 2, LED 3, LED 4 are lit	Fully charged

## To start the product

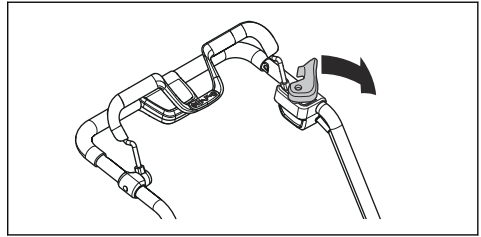
- Put a charged battery in battery compartment number 1 below the battery lid. For longer operation time, put a second charged battery in battery compartment number 2.
- Turn the safety key to 1.



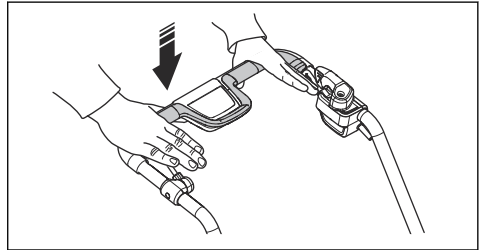
- Stay behind the product.
- Press the ON/OFF button (A) on the control panel and the green LED (B) comes on.



- Loosen the start inhibitor.



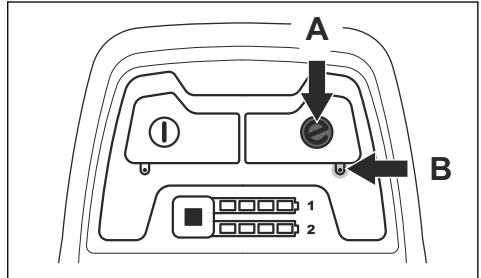
- Push the motor brake handle in the direction of the handlebar.



## To use the SavE function

The product has a battery saving function (SavE) that gives longer operation time.

- Press the SavE button (A) to start the function. The green LED comes on.



- Press the SavE button again to stop the function. The green LED (B) goes out.

The SavE function stops automatically if the ground conditions make it necessary to have a higher output. The SavE function starts automatically when the ground conditions lets it.

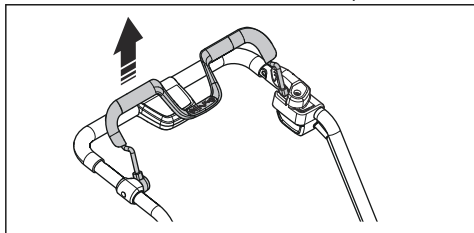
## High load function

When the product cuts long or wet grass, the motor automatically increases rpm. The motor goes back to standard mode when high load is not necessary.

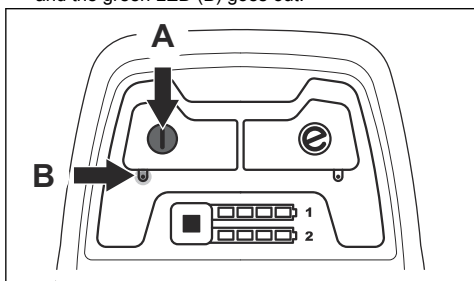
## To stop the product

The product stops automatically if you do not operate it for 10 minutes. Always turn the safety key to 0 before you let the product out of view.

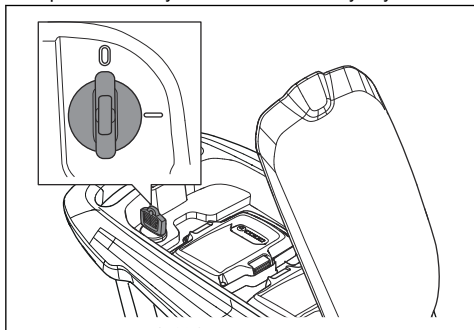
1. Release the motor brake handle to stop the motor.



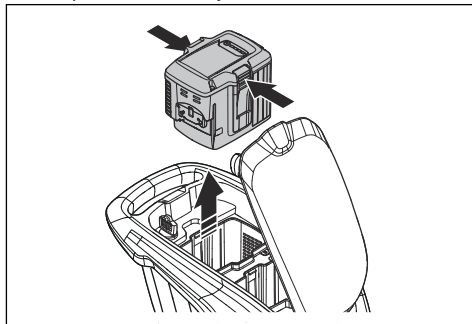
2. Press the ON/OFF button (A) on the control panel and the green LED (B) goes out.



3. Open the battery lid and turn the safety key to 0.



4. To remove the battery, press the two release buttons and pull out the battery.



5. Charge the battery if it is weak. For more information, see *To charge the battery on page 13*.

## To get a good result

- Always use a sharp blade. A blunt blade gives an irregular result and the cut surface of the grass becomes yellow. A sharp blade also uses less energy than a blunt blade.
- Do not cut more than  $\frac{1}{3}$  of the length of the grass. Cut first with the cutting height set high. Examine the result and lower the cutting height to an applicable level. If the grass is very long, drive slowly and cut 2 times if necessary.
- Cut in different directions each time to prevent stripes in the lawn.
- Keep the cutting cover clean. Buildup from grass and dirt on the inner side of the cutting cover can decrease the cutting result. Refer to *To clean the product on page 16*.

## Maintenance

### Introduction



**WARNING:** Before you do maintenance, you must read and understand the safety chapter.

For all servicing and repair work on the product, special training is necessary. We guarantee the availability of professional repairs and servicing. If your dealer is not a

service agent, speak to them for information about the nearest service agent.

### Maintenance schedule

The maintenance intervals are calculated from daily use of the product. The intervals change if the product is not used daily.

For maintenance identified with \* see instructions in *Safety devices on the product on page 8*.

	Each use	Monthly	Each season
Do a general inspection	X		
Clean the product	X		
Do a check of the start inhibitor *	X		
Make sure that the safety devices on the product are not defective *	X		
Examine the cutting equipment	X		
Examine the cutting cover *	X		
Do a check of the motor brake handle *	X		
Make sure that the ON/OFF button operates correctly and is not defective	X		
Examine the battery for damage	X		
Do a check of the battery charge	X		
Make sure that the release buttons on the battery operates correctly and that the battery locks into the product	X		
Examine the battery charger for damage and make sure that it operates correctly.		X	
Examine the connections between the battery and the product. Also examine the connection between the battery and the battery charger.			X

## To do a general inspection

- Make sure that the nuts and screws on the product are tightened.
- Make sure that the cables on the product are not in a position where they can get damaged.

## To clean the product

- Clean plastic parts with a clean and dry cloth.
- Do not use water to clean the product. Water can enter the battery or the motor and cause short circuit or damage to the product.
- Do not use a high pressure washer to clean the product.
- Do not flush water directly on the motor.
- Use a brush to remove leaves, grass and dirt.

## To clean the battery and the battery charger



**WARNING:** Do not clean the battery or the battery charger with water.

- Make sure that the battery and the battery charger are clean and dry before you put the battery into the battery charger.
- Clean the battery terminals with compressed air or use a soft and dry cloth.

- Clean the surfaces of the battery and the battery charger with a soft and dry cloth.

## To examine the cutting equipment



**WARNING:** To prevent accidental start, turn the safety key to 0, remove the battery and wait a minimum 5 seconds.



**WARNING:** Use protective gloves when you do maintenance on the cutting equipment. The blade is very sharp and cuts can easily occur.

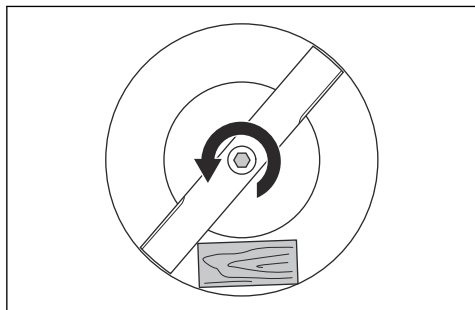
1. Examine the cutting equipment for damage or cracks. Always replace a damaged cutting equipment.
2. Look at the blade to see if it is damaged or blunt.

**Note:** It is necessary to balance the blade after it is sharpened. Let a service center sharpen, replace and balance the blade. If you hit an obstacle that causes the product to stop, replace the damaged blade. Let the service center estimate if the blade can be sharpened or must be replaced.

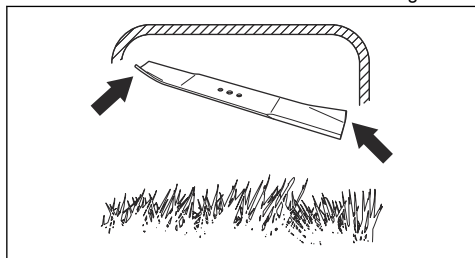


## To replace the blade

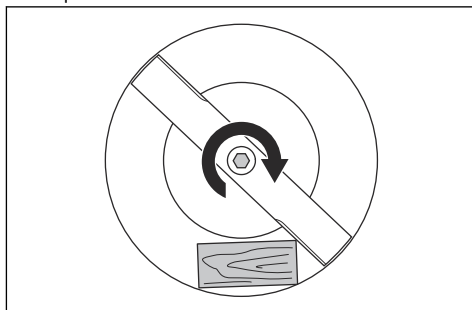
1. Lock the blade with a block of wood.



2. Remove the blade bolt.
3. Remove the blade.
4. Examine the blade support and blade bolt to see if there are damages.
5. Examine the motor shaft to make sure that it is not bent.
6. When you attach the new blade, point the angled ends of the blade in the direction of the cutting cover.



7. Make sure that the blade is aligned with the center of the motor shaft.
8. Lock the blade with a block of wood. Attach the spring washer and tighten the bolt and washer with a torque of 23–28 Nm.



9. Pull the blade around by hand and make sure that it turns freely.



**WARNING:** Use heavy duty gloves. The blade is very sharp and cuts can easily occur.

10. Start the product to do a test of the blade. If the blade is not correctly attached, there is vibration in the product or the cutting result is unsatisfactory.

## Troubleshooting

### Battery

LED on the battery	Cause	Solution
The green LED flashes.	The battery voltage is low.	Charge the battery. Refer to <i>To charge the battery</i> on page 13.

LED on the battery	Cause	Solution
The error LED flashes.	The battery is weak.	Charge the battery. Refer to <i>To charge the battery on page 13</i> .
	The temperature in the work environment is too high or too low.	Use the battery in temperatures between -10°C and 40°C.
	Overvoltage.	Make sure that the mains voltage is the same as on the rating plate on the product.  Remove the battery from the battery charger. Wait 5 seconds and try again to charge the battery. If the problem continues, speak to an approved service agent.
The error LED is on.	The cell difference too much (1V).	Speak to an approved service agent.

## Battery charger

LED on the battery charger	Cause	Solution
The error LED flashes.	The temperature in the work environment is too high or too low.	Use the battery charger in temperatures between 5°C and 40°C.
The error LED is on.		Speak to an approved service agent.

## Control panel

For problems, other than those in this section, speak to your service agent.

Keypad	Error code (Number of flashes)	Possible faults	Possible action
Error LED flashes	3	The motor is overloaded	Increase the cutting height. See <i>To set the cutting height on page 13</i> .
	5	The motor speed drops too much, and the motor stops	
	10	The motor control is too hot	Stop the motor and wait until it has become cool
	2	The blade is blocked	To prevent accidental start turn the safety key to 0, remove the battery and wait a minimum 5 seconds. Make sure that the blade can rotate freely. If the problem continues, speak to an authorised service agent
	9	Battery error or no signal from battery	Put the battery in the product correctly and examine the battery connector. If the error LED on the battery flashes, see <i>Battery on page 13</i> .
The product stops	8	The battery is weak	Charge the battery. See <i>To charge the battery on page 13</i> .
	0	Battery connector failure	Examine the battery connector

---

# Transportation, storage and disposal

---

## Introduction



**WARNING:** To prevent unintentional start during transport turn the safety key to "0", remove the battery and wait at least 5 seconds.

## Transportation

- The Dangerous Goods Legislation requirements apply to the contained Li-ion batteries.
- For commercial transports special requirements on package and labels must be obeyed.
- Make sure that you obey the regulations for dangerous material when you prepare the product for transport. Local regulations can apply.
- Always remove the battery for transport.
- Put tape on the battery connectors and make sure that the battery cannot move around during transport.
- Attach the product during transport.

## Storage

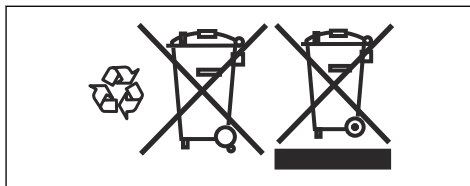
- Always remove the battery for storage.
- To prevent accidents, make sure that the battery is not connected to the product during storage.
- Keep the battery charger in a closed and dry space.
- Keep the battery and the battery charger in a dry space where there is no moisture or frost.
- Disconnect the battery from the battery charger during storage.
- Do not keep the battery where static electricity can occur. Do not keep the battery in a metal box.
- Keep the battery where the temperature is between 5°C and 25°C and out of sunlight.

- Keep the battery charger where the temperature is between 5°C and 45°C and out of sunlight.
- Make sure that the battery is charged to 30% - 50% before you put it in storage for long periods.
- Keep the product, battery and battery charger in a locked area out of reach for children and not approved persons.
- Clean the product and do a complete servicing before you put the product in storage for a long time.

## Disposal

Symbols on the product or the packaging of the product indicate that this product cannot be handled as domestic waste. It must be submitted to an appropriate recycling station for the recovery of electrical and electronic equipment.

By ensuring that this product is taken care of correctly, you can help to counteract the potential negative impact on the environment and people that can otherwise result through the incorrect waste management of this product. For more detailed information about recycling this product, contact your municipality, your domestic waste service or the shop from where you purchased the product.



---

## Technical data

---

	LB 146i
<b>Cutting motor</b>	
Motor type	BLDC (brushless) 36V
Motor speed – SavE, rpm	2600
Motor speed – Nominal, rpm	3000
Motor speed – High load, rpm	3500
Motor output – max. kW	1.05
Motor output – Nominal, kW	0.9

	<b>LB 146i</b>
Overcurrent limit (Current limit: 900W-27A)	27 (+/-) 1A
<b>Weight</b>	
Weight without battery, kg	16.9
<b>Battery</b> <sup>1</sup>	
Type of battery	Husqvarna Battery Series
<b>Battery runtime</b>	
Battery runtime, min, (free run) with SavE activated, with one Husqvarna 5.2 Ah battery (BLi200).	77
Battery runtime, min, (free run) with standard mode activated, with one Husqvarna 5.2 Ah battery (BLi200).	45
<b>Noise emissions</b> <sup>2</sup>	
Sound power level, measured dB (A)	90
Sound power level, guaranteed L <sub>WA</sub> dB (A)	91
<b>Sound levels</b> <sup>3</sup>	
Sound pressure level at the operators ear, dB (A)	79
<b>Vibration levels</b> <sup>4</sup>	
Handle, m/s <sup>2</sup>	0.9
<b>Cutting equipment</b>	
Cutting height, mm	35-70 mm
Cutting width, cm	46
Blade	BioClip
Article number	5947022-10

Approved batteries	Type	Battery capacity, Ah	Voltage, V	Weight, lb/kg
BLi20	Lithium-ion	4.0	36	2.6/1.2
BLi200	Lithium-ion	5.2	36	2.8/1.3
BLi300	Lithium-ion	9.4	36	4.2/1.9

<sup>1</sup> For best results and performance the Husqvarna battery BLi200 is recommended.

<sup>2</sup> Noise emissions in the environment measured as sound power (L<sub>WA</sub>) in conformity with EC directive 2000/14/EC.

<sup>3</sup> Reported data for noise pressure level has a typical statistical dispersion (standard deviation) of 1.2 dB (A).

<sup>4</sup> Reported data for vibration level has a typical statistical dispersion (standard deviation) of 0.2 m/s<sup>2</sup>. Vibration standard EN 60335-2-77:2017 chapter 20.105

<b>Approved chargers for the specified batteries, BLi</b>	<b>Input voltage, V</b>	<b>Frequency, Hz</b>	<b>Power, W</b>
QC80	100–240	50–60	100
QC80F	10–15	N/A	95
QC330	100–240	50–60	330
QC500	100–240	50–60	500
40-C80	100–240	50–60	68.8

---

# EC Declaration of Conformity

---

## EC Declaration of Conformity

**Husqvarna AB**, SE-561 82 Huskvarna, Sweden, tel: +46-36-146500, declares that the **lawn mower Husqvarna LB 146i** from the year 2021 and onwards, complies with the requirements of the COUNCIL'S DIRECTIVE:

- of June 8, 2011 on the "restriction of use of certain hazardous substances" **2011/65/EU**
- of May 17, 2006 "relating to machinery" **2006/42/EC**
- of February 26, 2014 "relating to electromagnetic compatibility" **2014/30/EU**
- of May 8, 2000 "relating to the noise emissions in the environment" **2000/14/EC**

Information relating to noise emissions, see Technical data.

The following standards have been applied:

**EN 60335-1:2012+A11:2014+A13:2017, EN 60335-2-77:2010, EN 62233:2008, EN 55014-1:2017+A11:2020, EN 55014-2:2015, EN IEC 63000:2018**

If not otherwise stated, the above listed standards are the latest published versions.

Notified body: **0404, RISE SMP Svensk Maskinprovning AB, Box 7035, SE-750 07 Uppsala** has performed conformity assessment according to Annex VI of directive 2000/14/EC.

Huskvarna, 2021-10-30



Claes Losdal, Development Manager/Garden Products  
(Authorized representative for Husqvarna AB and responsible for technical documentation)

## Съдържание

Въведение.....	23	Отстраняване на проблеми.....	42
Безопасност.....	26	Транспортиране, съхранение и изхвърляне.....	43
Монтаж.....	35	Технически данни.....	44
Операция.....	36	Декларация за съответствие на ЕО.....	46
Поддръжка.....	39		

## Въведение

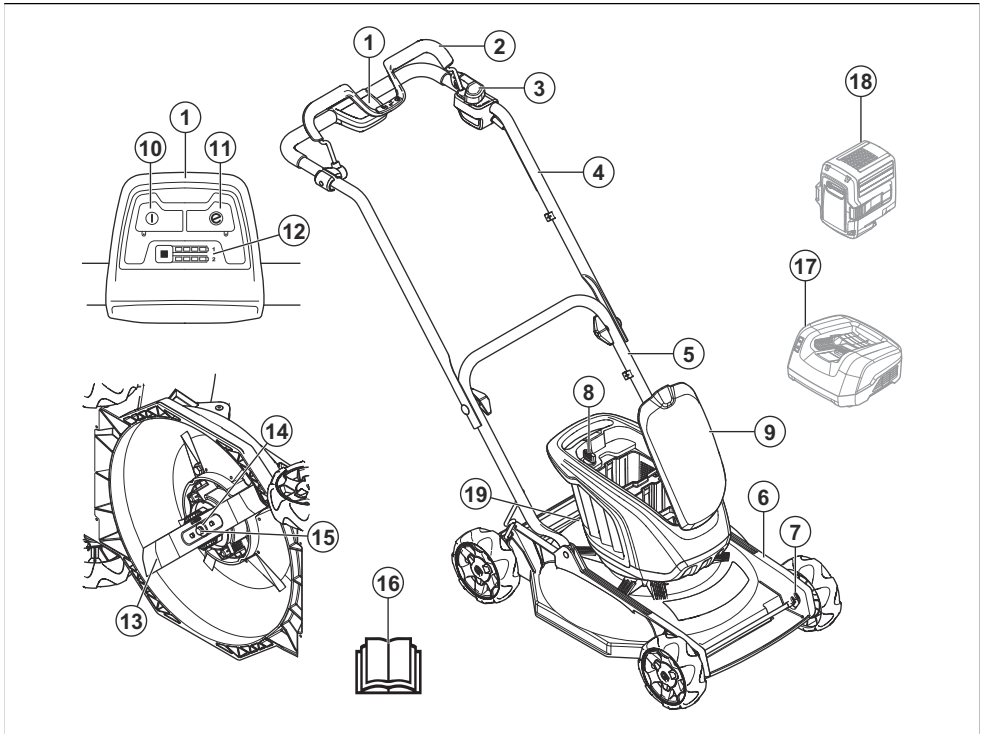
### Описание на продукта

Продуктът е несамходна ротационна косачка, която използва BioClip за нарязване на тревата и превръщането ѝ в тор.

### Предназначение

Използвайте продукта за косене на трева. Не използвайте продукта за други задачи.

### Общ преглед на продукта



1. Пулт за управление
2. Ръкохватка за спирачката на двигателя
3. Инхибитор за стартиране
4. Горна дръжка
5. Ниска ръкохватка
6. Капак срещу порязване
7. Управление на височината на рязане
8. Ключ за безопасност
9. Капак на акумулатора
10. Бутон за ВКЛ./ИЗКЛ.
11. Бутон SaveE
12. Индикатор за заряд на акумулатора и бутон за акумулатора
13. Нож

14. Пружинна шайба
15. Придържателен болт на ножовете
16. Инструкцията за експлоатация
17. Зарядно устройство за акумулатор (Принадлежност)
18. Акумулатор (Принадлежност)
19. Типова табелка с QR код

## Символи върху машината



**Предупреждение:**  
Непредпазливото или неправилното използване може да доведе до нараняване или смърт на оператора или други хора.



Прочетете внимателно ръководството за оператора и се уверете, че разбирате инструкциите, преди да използвате машината.



Дръжте хората и животните на безопасно разстояние от работната зона.



Пазете се от отскачащи предмети и рикошети.



**Предупреждение:**  
Дръжте ръцете и краката си далеч от въртящия се нож.



**Предупреждение:**  
Дръжте ръцете и краката си далеч от въртящи се части.



Отстранете ключа за безопасност преди извършването на поправка или поддръжка.



Не излагайте на дъжд



Продуктът или опаковката на продукта не е битов отпадък. Рециклирайте го в пункт за рециклиране за електрическо и електронно оборудване.



Този продукт е в съответствие с приложимите директиви на ЕО.



Този продукт е в съответствие с приложимите директиви на Евразийския икономически съюз.



Този продукт е в съответствие с приложимите директиви на UkrSEPRO.





Този продукт е в съответствие с приложимите директиви на Устройства за наблюдение и контрол на остатъчен ток за битова и подобна употреба (RCM). Важи само за AU/NZ



Шумови емисии в околната среда в съответствие с Директивата на Европейската общност. Емисиите на продукта са посочени в раздела за технически характеристики и на табелката.

**IPX1**

IPX1 – защита срещу проникване на вода



Процедура за пускане: натиснете бутона ON/OFF (ВКЛ./ИЗКЛ.), разхлабете инхибитора за стартиране, натиснете ръкохватката за спирачката на двигателя надолу.



Освободете ръкохватката на спирачката на двигателя, за да спрете.

---

**Забележка:** Останалите символи/стикери на машината се отнасят до изисквания по отношение на сертификати за определени пазари.

---

**Етикет върху продукта**



ОПАСНОСТ – Дръжте ръцете и краката си настрана.

## Отговорност за продукта

Както е посочено в законите за отговорност за вреди, причинени от стоки, ние не носим отговорност за щети, причинени от нашия продукт, ако:

- продуктът е неправилно ремонтиран.
- продуктът е ремонтиран с части, които не са от

производителя или не са одобрени от производителя.

- продуктът има принадлежност, която не е от производителя или не е одобрена от производителя.
- продуктът не е ремонтиран в одобрен сервизен център или от одобрен орган.

---

## Безопасност

---

### Дефиниции за безопасност

Предупреждения, знаци за внимание и бележки се използват за указване на особено важни части на инструкцията.

се спазват инструкциите в ръководството.



#### **ПРЕДУПРЕЖДЕНИЕ:**

Използва се, ако има опасност от нараняване или смърт за оператора или за околните, ако не се спазват инструкциите в ръководството.

**Забележка:** Използва се за предоставяне на повече информация, която е необходима в дадена ситуация.

### Общи инструкции за безопасност



#### **ПРЕДУПРЕЖДЕНИЕ:**

Прочетете следващите предупредителни указания, преди да използвате машината.



**ВНИМАНИЕ:** Използва се, ако има опасност от повреждане на машината, други материали или съседната зона, ако не

- Този продукт е опасен, ако се използва неправилно или ако не сте внимателни.

Неспазването на инструкциите за безопасност може да доведе до нараняване или смърт.

- Тази машина създава електромагнитно поле по време на работа. При някои условия това поле може да интерферира с активни или пасивни медицински имплантанти. За да намалите риска от тежко или смъртоносно нараняване, ние препоръчваме лицата с медицински импланти да говорят с лекаря си и производителя на медицинския имплант, преди да започнат да работят с тази машина.
- Винаги бъдете внимателни и подхождайте разумно. Ако не сте сигурни как да работите с продукта при специална ситуация, спрете и се обърнете към Вашия дилър на Husqvarna, преди да продължите.
- Имайте предвид, че операторът носи отговорност за нещастни случаи, включващи други хора или тяхното имущество.
- Поддържайте продукта чист. Уверете се, че разчитате ясно знаците и стикерите.

- Никога не позволявайте на деца или на хора, незапознати с тези инструкции, да използват уреда. Местните разпоредби може да поставят възрастови ограничения за оператора
- Винаги наблюдавайте лица с намален физически или умствен капацитет, които използват продукта. През цялото време трябва да присъства отговорен възрастен.
- Не използвайте продукта, ако сте уморени, болни или под въздействието на алкохол, наркотици или лекарства. Това състояние оказва отрицателно въздействие върху Вашето зрение, бдителност, координация и преценка.
- Не използвайте продукта, ако е неизправен.
- Не променяйте този продукт или не го използвайте, ако има вероятност той да е бил променен от друг.

## Безопасност на работната област



**ПРЕДУПРЕЖДЕНИЕ:**  
Прочетете следващите предупредителни

указания, преди да използвате машината.

---

- Отстранете препятствия като клони, пръчки и камъни от работната зона, преди да използвате продукта.
- Обектите, които се удрят в режещото оборудване, могат да бъдат изхвърлени и да причинят нараняване на лицата и щети на предметите. Дръжте страничните наблюдатели и животните на безопасно разстояние от продукта.
- Никога не използвайте продукта в лошо време – например при мъгла, дъжд, силни ветрове, много силен студ и риск от мълнии. Използването на продукта в лошо време или върху влажни или мокри терени е изморително. Лошото време може да създаде опасни условия, като например хлъзгави повърхности.
- Внимавайте за лица, предмети и ситуации, които могат да са причина за намаляване на безопасната работа на продукта.
- Внимавайте за препятствия като корени, камъни, клони, ями и канавки. Дългата

трева може да крие препятствия.

- Косенето на трева на склон може да бъде опасно. Не косете прекомерно стръмни склонове. Не работете с продукта, когато наклонът на повърхността е повече от 15°
- Бъдете изключително внимателни, когато сменяте посоката на движение по наклони. Използвайте продукта напречно на склона. Не се движете нагоре и надолу.
- Внимавайте, когато преминавате покрай закриват ъгли и предмети, които скриват зрителното Ви поле.

### Безопасност при работа

---



#### **ПРЕДУПРЕЖДЕНИЕ:**

Прочетете следващите предупредителни указания, преди да използвате машината.

---

- Използвайте този продукт само за косене на морави. Не се допуска използването му за други цели.
- Използвайте лични предпазни средства. Вижте

*Лични предпазни средства  
на страница 30.*

- Уверете се, че знаете как бързо да спрете двигателя при аварийна ситуация.
- Не използвайте продукта при дъжд или влага. Опасността от токов удар се повишава при навлизане на вода в продукта.
- Не работете с продукта, докато ножът и всички капаци не се монтират правилно. Неправилно монтираният нож може да се разхлаби и да причини телесна повреда.
- Уверете се, че ножът няма да се удря в обекти, като например камъни и корени. Това може да доведе до повреда на ножа и до огъване на двусекционния вал на двигателя. Огънатата ос предизвиква силни вибрации и има много голяма опасност ножът да се разхлаби.
- Ако ножът се удари в някакъв обект или се получат вибрации, спрете веднага продукта. Спрете двигателят, завъртете ключа за безопасност на 0 и отстранете акумулатора. Проверете продукта за повреди. Ремонтирайте повредите или потърсете оторизиран сервиз за това.
- Никога не прикрепяйте ръкохватката за спирачката на двигателя за постоянно върху дръжката, когато двигателят е стартиран.
- Поставете продукта върху стабилна, равна повърхност и го стартирайте. Уверете се, че ножът не се допира в земята или в други предмети.
- Винаги стойте зад продукта, когато го използвате.
- Всички колела трябва да бъдат на земята и да държите дръжката с 2 ръце, когато работите с продукта. Дръжете ръцете и краката си далеч от въртящите се остриета.
- Не накланяйте продукта при стартиран двигател.
- Бъдете внимателни, когато дърпате продукта назад.
- Никога не повдигайте продукта при стартиран двигател. Ако се наложи да вдигате продукта, първо спрете двигателя, завъртете ключа за безопасност на 0 и отстранете акумулатора.
- Не се движете назад при работа с продукта.

- Спрете двигателя, когато преминавате през области без трева, като например пътеки от чакъл, камък и асфалт.
- Не тичайте с продукта, докато двигателят работи. Винаги ходете, когато работите с продукта.
- Спрете двигателя, преди да промените височината на рязане. Никога не регулирайте при стартиран двигател.
- Никога не оставяйте продукта без надзор, когато двигателят работи. Спрете двигателя и се уверете, че режещото оборудване не се върти.

## Инструкции за безопасност за работа

### Лични предпазни средства



**ПРЕДУПРЕЖДЕНИЕ:** Прочетете следващите предупредителни указания, преди да използвате машината.

- Личните предпазни средства не изключват изцяло риска от нараняване, но намаляват степента на нараняването при злополука. Нека вашият

дилър Ви помогне да изберете подходящото оборудване.

- Носете ботуши или обувки, устойчиви на хлъзгане. Не носете отворени обувки и не ходете боси.
- Използвайте дълги панталони от здрав плат.
- Когато е необходимо, носете защитни ръкавици, например, когато закрепвате, проверявате или почиствате режещото оборудване.

### Приспособления за безопасност на машината



**ПРЕДУПРЕЖДЕНИЕ:** Прочетете следващите предупредителни указания, преди да използвате машината.

- Не използвайте машина с неизправни приспособления за безопасност.
- Проверявайте редовно приспособленията за безопасност. Ако приспособленията за безопасност са дефектни, говорете с Вашия сервис Husqvarna.

### За проверка на капака срещу порязване

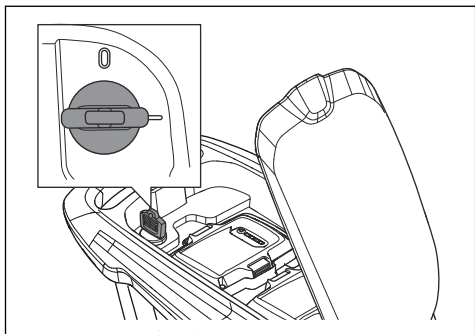
Капакът срещу порязване намалява вибрациите в продукта и опасността от нараняване, причинени от острието.

- Проверете капака срещу порязване, за да се уверите, че няма повреди, като например пукнатини.

### Ключ за безопасност

Ключът за безопасност е под капака на акумулатора. Ключът за безопасност свързва акумулатора, който захранва двигателя с енергия.

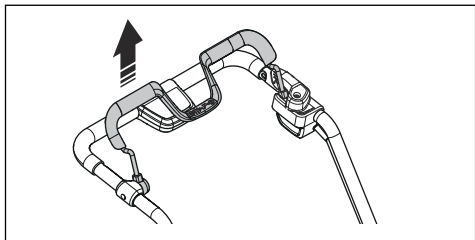
- Стартирайте и спрете двигателя, за да извършите проверка на ключа за безопасност.
- Ако ключът за безопасност работи правилно, двигателят стартира само когато ключът е в положение 1.



#### Ръкохватка за спирачката на двигателя

Ръкохватка за спирачката на двигателя спира двигателя. Когато ръкохватката за спирачката на двигателя бъде пусната, двигателят спира.

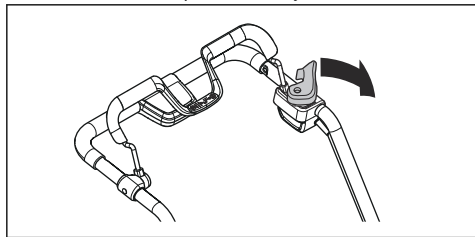
За да извършите проверка на спирачката на двигателя, стартирайте двигателя и след това отпуснете ръкохватката за спирачката на двигателя. Ако двигателят не спре след 3 секунди, позволете на одобрен сервиз на Husqvarna да регулира спирачката на двигателя.



#### За да проверите блокировката на пускането

Направете проверка на блокировката на пускане, за да се уверите, че тя не допуска работата на двигателя.

1. Натиснете ръкохватката за спирачката на двигателя по посока на управлението. Блокировката на пускането спира движението.
2. Натиснете блокировката на пускането навън.



3. Освободете блокировката на пускането и се уверете, че тя се е върнала в първоначалното си положение.

## Инструкции за безопасност за батерията



### ПРЕДУПРЕЖДЕНИЕ:

Прочетете следващите предупредителни указания, преди да използвате машината.

- Използвайте акумулаторни батерии Husqvarna като източник на захранване само на продукти Husqvarna. За да предотвратите нараняване, не използвайте акумулатора като източник на захранване за други устройства.
- Не използвайте батерии, които не се презареждат.
- Опасност от електрически удар. Не свързвайте клемите на акумулатора с ключове, монети, винтове или други метални предмети. Това може да доведе до късо съединение на акумулатора.
- Не поставяйте предмети във въздушните отвори на акумулатора.
- Съхранявайте акумулатора далеч от слънчева светлина, топлина или открит огън.

Акумулаторът може да се взриви и да причини изгаряния и/или химически изгаряния.

- Съхранявайте акумулатора далеч от дъжд или влага.
- Съхранявайте акумулаторната батерия далеч от микровълни и високо налягане.
- Не се опитвайте да разглобите или счупите акумулатора.
- Ако има в акумулатора има теч, не оставяйте течността да влиза в контакт с тялото и очите. Ако докоснете течността, измийте мястото с обилно количество вода и потърсете медицинска помощ.
- Използвайте акумулатора при температури между  $-10^{\circ}\text{C}$  и  $40^{\circ}\text{C}$ .
- Не почиствайте батерията или зарядното устройство с вода. Вижте *За почистване на акумулатора и зарядното устройство на страница 40*.
- Не използвайте дефектен или повреден акумулатор.
- Съхранявайте акумулаторите далеч от метални предмети като пирони, монети, бижута.

## Инструкции за безопасност за зарядното устройство на акумулаторната батерия



**ПРЕДУПРЕЖДЕНИЕ:**  
Прочетете следващите предупредителни указания, преди да използвате машината.

---

- Използвайте зарядните устройства QC за зареждане само на резервни акумулатори Husqvarna.
- Опасност от токов удар или късо съединение. Не поставяйте предмети във въздушните отвори на зарядното устройство. Не опитвайте да демонтирате зарядното устройство. Не свързвайте клемите на зарядното устройство към метални предмети. Използвайте одобрен електрически контакт.
- Тази машина създава електромагнитно поле по време на работа. При някои условия това поле може да интерферира с активни или пасивни медицински имплантанти. За да намалите риска от сериозно или смъртоносно нараняване, ние



препоръчваме лицата с медицински импланти да говорят с лекаря си и производителя на медицинския имплант, преди да започнат да работят с този продукт.

- Редовно проверявайте дали кабелът на зарядното устройство на акумулатора не е повреден и напукан.
- Не вдигайте зарядното устройство, като го държите за кабела. За да изключите зарядното устройство от стенния контакт, дръпнете щепсела. Не дърпайте захранващия шнур.
- Дръжте захранващия кабел и удължаващите шнурове далеч от вода, масло или остри ръбове. Уверете се, че кабелът не е защитан от врати, огради и подобни. Това може да доведе до напрежение в зарядното устройство.
- Не почиствайте зарядното устройство с вода.
- Това зарядно устройство може да се използва от деца на възраст от 8 години нагоре и лица с физически, сетивни или умствени способности или без знания и опит, ако са под надзор

или са получили инструкции за безопасното използване на зарядното устройство и разбират свързаните с това рискове. Децата не трябва да си играят със зарядното устройство. Почистването и потребителската поддръжка не трябва да се извършват от деца без надзор.

- Не зареждайте акумулатори без възможност за зареждане в зарядното устройство.
- Не използвайте зарядното устройство близо до запалими материали или материали, които причиняват корозия. Не покривайте зарядното устройство. Ако има дим или огън, извадете щепсела на зарядното устройство.
- Не използвайте дефектно или повредено зарядно устройство.
- Зареждайте акумулатора само на закрито, в помещение с добра вентилация и далеч от слънчева светлина. Не зареждайте акумулатора във влажна условия.

## Инструкции за безопасност при техническо обслужване



### **ПРЕДУПРЕЖДЕНИЕ:**

Прочетете следващите предупредителни указания, преди да използвате машината.

- За да предотвратите случайно стартиране по време на техническо обслужване, завъртете ключа за безопасност на 0 и извадете акумулатора. Изчакайте най-малко 5 секунди преди да започнете техническото обслужване.
- Извършете правилно техническото обслужване, за да увеличите срока на експлоатация на продукта и да намалите опасността от инциденти. Възложете извършването на професионалните ремонтни дейности на упълномощен сервиз. За повече информация говорете с най-близкия до Вас сервиз.
- Изпълнявайте стъпките от техническото обслужване, посочени в тази инструкция за експлоатация. По-значителни ремонтни дейности трябва да се изпълняват от одобрен сервиз.
- Сложете ръкавици за тежки условия, когато използвате режещото оборудване. Ножът е много остър и можете лесно да се порежете.
- Поддържайте режещите краища остри и чисти за най-добра и безопасна производителност.
- Редовно проверявайте продукта при Вашия сервиз и извършвайте необходимите корекции и ремонтни дейности.
- Заменете повредени, износени или счупени части.
- Следвайте инструкциите за смяна на аксесоарите. Използвайте само аксесоари от производителя.
- Когато не ги използвате, съхранявайте продукта, акумулатора и зарядното устройство отделно на закрито сухо и заключено място. Уверете се, че деца и лица, които не са одобрени, не могат да получат достъп до продукта, акумулатора или зарядното устройство.

# Монтаж

## Въведение



**ПРЕДУПРЕЖДЕНИЕ:** Преди да сглобите машината, прочетете главата за безопасност.



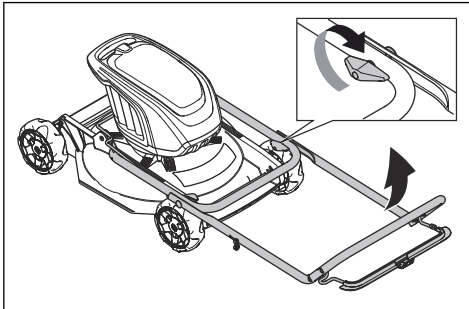
**ПРЕДУПРЕЖДЕНИЕ:** За да предотвратите случайно стартиране по време на монтаж, завъртете ключа за безопасност на 0, отстранете акумулатора и изчакайте най-малко 5 секунди.

## За да монтирате ръкохватката

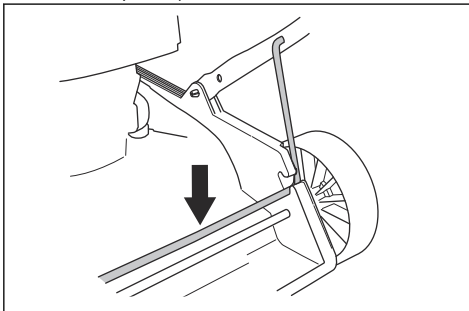


**ВНИМАНИЕ:** Не навивайте кабелите.

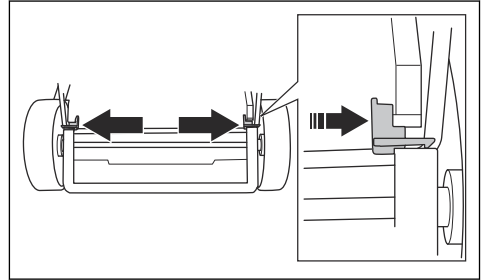
1. Изравнете отворите в горната ръкохватка с отворите в долната ръкохватка.
2. Затегнете докрай фиксаторите на дясната и лявата страна и сгънете дръжката нагоре.



3. Поставете предпазителя във вдлъбнатината на капака на режещите части.



4. Прикрепете 2-та стопера, които заключват предпазителя и ръкохватката. Притиснете ги добре на мястото им.



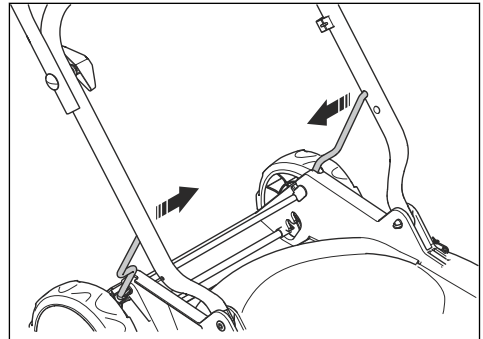
**Забележка:** Има 2 стопера – единият е с идентификация H, а другият с V. Поставете стопера, обозначен с H, на дясната страна, а стоперът, обозначен с V, на лявата страна.



**ВНИМАНИЕ:** Не използвайте продукта, ако 2-та стопера не са поставени.

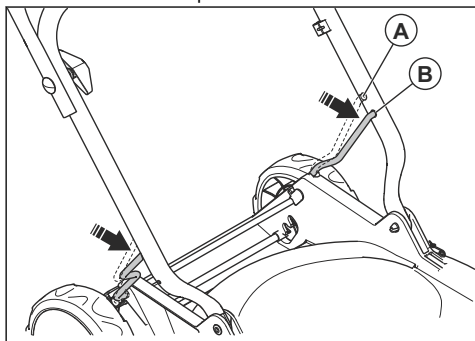
## За регулиране на височината на ръкохватката

1. Отстранете фиксатора на ръкохватката от долната ръкохватка.



- а) Поставете фиксатора на ръкохватката в горния отвор (A) за намаляване на височината на ръкохватката.

- b) Поставете фиксатора на ръкохватката в долния отвор (B) за увеличаване на височината на ръкохватката.



## Операция

### Въведение



**ПРЕДУПРЕЖДЕНИЕ:** Преди работа с продукта трябва да прочетете и разберете главата за безопасност.

### Husqvarna Connect

Husqvarna Connect е безплатно приложение за Вашето мобилно устройство. Приложението Husqvarna Connect осигурява разширени функции за Вашия продукт на Husqvarna:

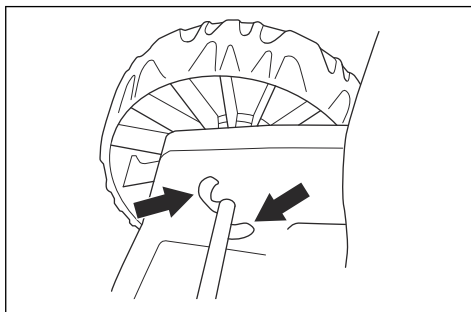
- Разширена продуктова информация.
- Информация и помощ за частите на продукта и сервисното обслужване.

### За да започнете да използвате Husqvarna Connect

1. Изтеглете приложението Husqvarna Connect на Вашето мобилно устройство.
2. Регистрирайте се в приложението Husqvarna Connect.
3. Изпълнете стъпките с инструкции в приложението Husqvarna Connect, за да свържете и регистрирате продукта.

### За регулиране на височината на рязане

- Докато натискате двусекционния вал, го извадете и го преместете в правилната позиция за всяко от 4-те колела.



**ВНИМАНИЕ:** Не настройвайте твърде ниска височина на рязане. Ножовете могат да се ударят в земята, ако повърхността на моравата не е равна.

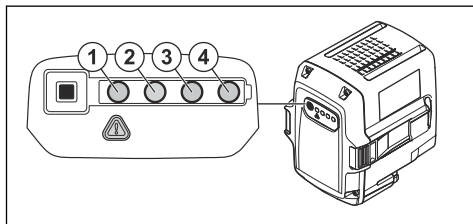
### Акумулатор



**ПРЕДУПРЕЖДЕНИЕ:** Преди да използвате акумулатора, трябва да прочетете и разберете главата за безопасност. Вие трябва също да прочетете и разберете ръководството на оператора за акумулатора и зарядното устройство.

## Статус на батерията

Дисплеят показва оставащия капацитет на акумулатора и дали има проблеми с него. Капацитетът на акумулатора се показва за 5 секунди, след като продуктът бъде изключен или бутонът за индикатора на акумулатора бъде натиснат. Символът за предупреждение върху акумулатора се включва, когато има грешка. Вижте *Акумулатор на страница 42*.



Светодиодни лампи	Статус на батерията
Всички светодиоди светят	Напълно зареден (75 – 100%)
Светодиоди 1, 2, 3 светят	Акумулаторът е зареден на 50% – 75%
Светодиоди 1 и 2 светят	Акумулаторът е зареден на 25% – 50%
Светодиод 1 свети	Акумулаторът е зареден на 0% – 25%.
Светодиод 1 мига	Батерията е изтощена. Заредете батерията.

## За зареждане на акумулатора

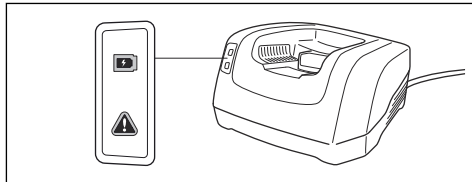
Заредете акумулатора преди използване за първи път. Акумулаторът е зареден само на 30%, когато се доставя на клиента.

**Забележка:** Зарядното устройство на акумулатора трябва да бъде свързано към напрежението и честотата, посочени на типовата табелка.

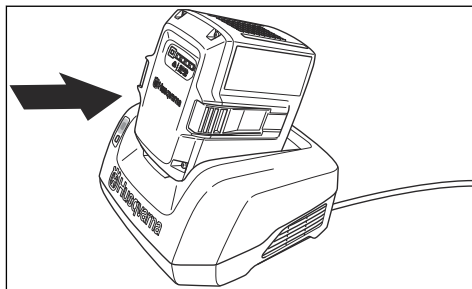
Акумулаторът не се зарежда, ако температурата на акумулатора е над 50°C. Зарядното устройство намалява температурата на акумулатора, преди да започне да зарежда.

1. Свържете единия край на захранващия шнур на зарядното устройство в гнездото на зарядното устройство.

2. Свържете другия край на захранващия шнур за зарядното устройство в заземен контакт. Светодиодът на зарядното устройство примигва един път в зелено.



3. Поставете батерията в зарядното устройство. Когато акумулаторът е правилно свързан към зарядното устройство, на зарядното устройство светва зелена светлина.



4. Когато всички светодиоди на акумулатора светнат, акумулаторът е напълно зареден. Зареждайте акумулатора за най-много 24 часа.
5. За да разкачите зарядното устройство на акумулатора от контакта, издърпайте щепсела, а не кабела.
6. Извадете батерията от зарядното устройство.

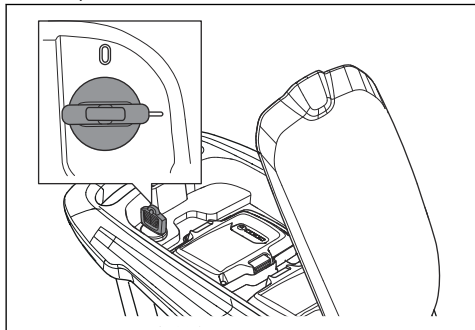
## Състояние на зареждане на акумулатора

Литиево-йонният акумулатор Husqvarna може да бъде зареден или използван във всички нива на заряда. Батерията не се поврежда. Напълно зареденият акумулатор няма да намали заряда си, дори когато е оставен в зарядното устройство.

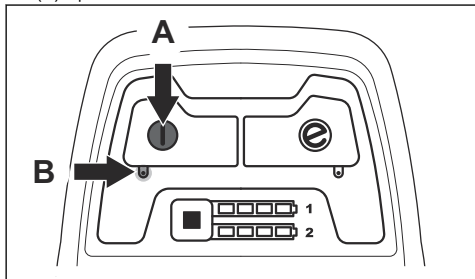
Светодиоден дисплей	Състояние на зареждането
Светодиод 1 мига	0% – 25%
Светодиод 1 свети, светодиод 2 мига	25%-50%
Светодиоди 1 и 2 светят, светодиод 3 мига	50%-75%
Светодиоди 1, 2 и 3 светят, светодиод 4 мига	75%-100%
Светодиоди 1, 2, 3 и 4 светят	Напълно зареден

## За стартиране на продукта

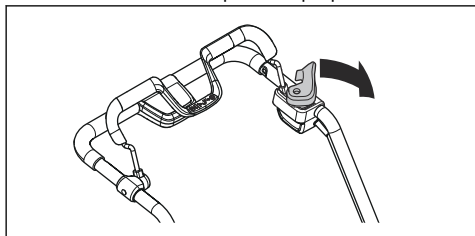
1. Поставете зареден акумулатор в отделениято за акумулатор номер 1 под капака на акумулатора. За по-дълъг период на работа поставете втори зареден акумулатор в отделениято за акумулатор номер 2.
2. Завъртете ключа за безопасност на 1.



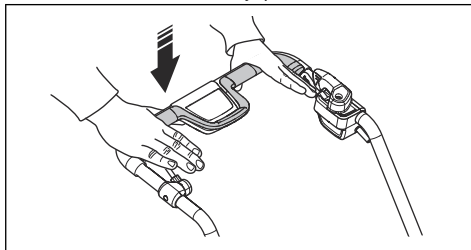
3. Останете зад продукта.
4. Натиснете бутона ON/OFF (ВКЛ./ИЗКЛ.) (A) на разпределителното табло и зеленият светодиод (B) ще светне.



5. Разхлабете инхибитора за стартиране.



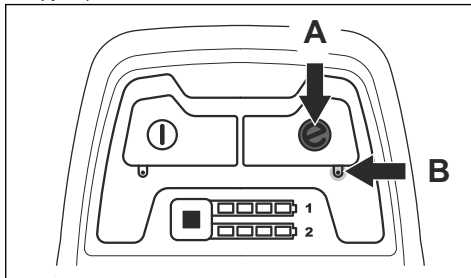
6. Натиснете ръкохватката за спирачката на двигателя по посока на управлението.



## За да използвате функцията SavE

Продуктът разполага с функция за пестене на акумулатора (SavE), която осигурява по-дълго време на работа.

1. Натиснете бутона SavE (A), за да стартирате функцията. Зеленият светодиод светва.



2. Натиснете отново бутона SavE, за да спрете функцията. Зеленият светодиод (B) изгасва.

Функцията SavE спира автоматично, ако условията на терена изискват по-висока мощност. Функцията SavE стартира автоматично, когато условията на терена го позволяват.

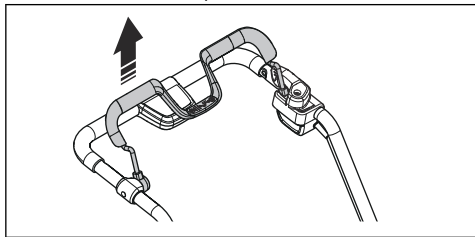
## Функция на високо натоварване

Когато продуктът реже дълга или влажна трева, двигателят автоматично повишава оборотите. Двигателят се връща към стандартен режим, когато не е необходимо голямо натоварване.

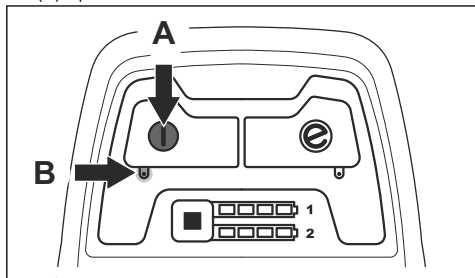
## Спиране на продукта

Продуктът спира автоматично, ако не работите с него в продължение на 10 минути. Винаги завъртайте ключа за безопасност на 0, преди да оставите продукта без надзор.

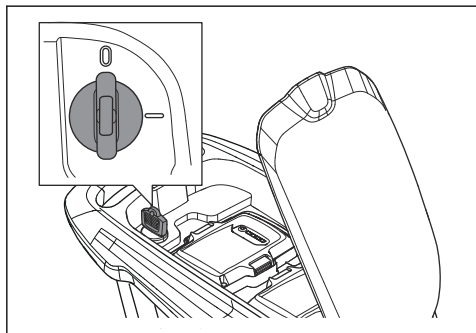
1. Освободете ръкохватката за спирачката на двигателя, за да спрете двигателя.



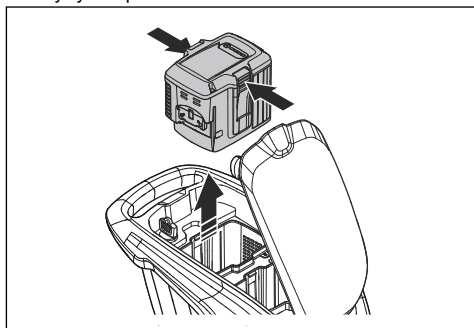
2. Натиснете бутона ON/OFF (ВКЛ./ИЗКЛ.) (A) на разпределителното табло и зеленият светодиод (B) ще изгасне.



3. Отворете капака на акумулатора и завъртете ключа за безопасност в положение 0.



4. За да извадите акумулатора, натиснете двата бутона за освобождаване и извадете акумулатора.



5. Заредете акумулатора, ако е изтощен. За повече информация вижте *За зареждане на акумулатора на страница 37.*

## За получаване на добър резултат

- Винаги използвайте остър нож. Косенето със затъпен нож е неравномерно и окосената повърхност пожълтява. При работа с остър нож също така се използва по-малко енергия отколкото при работа със затъпен нож.
- Не отрязвайте повече от  $\frac{1}{2}$  от дължината на тревата. Първо, косете със зададена висока височина на рязане. Вижте какъв е резултатът и намалете височината на рязане до подходящо ниво. Ако тревата е много висока, карайте бавно и – ако е необходимо – окосете два пъти.
- Режете всеки път в различни посоки, за да избегнете образуването на линии в моравата.
- Поддържайте капака за рязане чист. Натрупването на трева и замърсявания по вътрешната страна на капака за рязане могат да намалят резултата от рязането. Вижте *За почистване на машината на страница 40.*

## Поддръжка

### Въведение



**ПРЕДУПРЕЖДЕНИЕ:** Преди да извършите техническо обслужване, трябва да прочетете и разберете раздела за безопасност.

За всички работи по поддръжката и поправката на продукта е необходимо специално обучение. Осигуряваме предлагане на професионални ремонти и обслужване. Ако Вашият дилър не

предлага сервизно обслужване, говорете с него, за да Ви даде информация за най-близкия сервиз.

### График за техническо обслужване

Интервалите за техническо обслужване са изчислени в зависимост от ежедневната употреба на продукта. Интервалите се променят, ако продуктът не се използва ежедневно.

За техническо обслужване, маркирано със \*, вижте инструкциите в *Приспособления за безопасност на машината на страница 30.*

	При всяка употреба	Всеки месец	Всеки сезон
Обща проверка	X		
Почистване на продукта	X		
Проверете инхибитора на стартирането *	X		
Уверете се, че устройствата за безопасност на продукта не са дефектни *	X		
Преглед на режещото оборудване	X		
Проверка на капака на режещите части *	X		
Извършване на проверка на ръкохватката за спирачката на двигателя *	X		
Уверете се, че бутонът ON/OFF (ВКЛ./ИЗКЛ.) функционира правилно и не е дефектен	X		
Проверете акумулатора за повреда	X		
Проверка на заряда на акумулатора	X		
Уверете се, че бутоните за освобождаване на акумулатора работят изправно и че акумулаторът е фиксиран в продукта	X		
Проверете зарядното устройство за повреда и се уверете, че функционира изправно.		X	
Проверете връзките между акумулатора и продукта. Освен това проверете връзката между акумулатора и зарядното устройство.			X

## За извършване на обща проверка

- Уверете се, че всички гайки и винтове на продукта са затегнати.
- Уверете се, че кабелите на продукта не са в положение, в което могат да бъдат повредени.

## За почистване на машината

- Почиствайте пластмасовите части със суха кърпа.
- Не използвайте вода за почистване на продукта. Водата може да навлезе в акумулатора или в двигателя и да причини късо съединение или повреда на продукта.
- Не мийте продукта с устройство за миене под високо налягане.
- Не пръскайте вода директно върху двигателя.
- За отстраняване на листа, трева и прах използвайте четка.

## За почистване на акумулатора и зарядното устройство



**ПРЕДУПРЕЖДЕНИЕ:** Не почиствайте акумулаторната батерия или зарядното устройство с вода.

- Преди да поставите батерията в зарядното устройство се уверете, че батерията и зарядното устройство са чисти и сухи.
- Почистете клемите на акумулатора с въздух под налягане или използвайте чиста и суха кърпа.
- Почистете повърхностите на акумулатора и зарядното устройство с чиста и суха кърпа.

## За проверка на режещото оборудване



**ПРЕДУПРЕЖДЕНИЕ:** За да предотвратите случайно стартиране, завъртете ключа за безопасност на 0, отстранете акумулатора и изчакайте най-малко 5 секунди.



**ПРЕДУПРЕЖДЕНИЕ:** Носете защитни ръкавици, когато ще изпълнявате дейности, свързани с техническото обслужване на режещото оборудване. Ножът е много остър и можете лесно да се порежете.

1. Проверете режещото оборудване за повреди или пукнатини. Винаги заменяйте повреденото режещо оборудване.

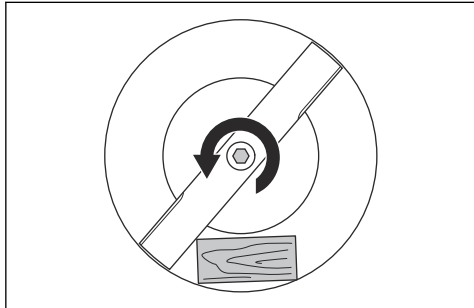


2. Погледнете ножа, за да разберете дали не е повреден или затъпен.

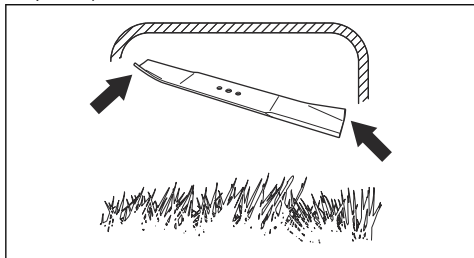
**Забележка:** Необходимо е да балансирате ножа след заточване. Ножът се заточва, сменя и балансира от сервизен център. Ако ударите препятствие и вследствие на това продуктът спре, сменете повредения нож. Оставете специалистите в сервиза да преценят дали ножът ще трябва да се заточи, или да се смени.

## За сменяне на ножовете

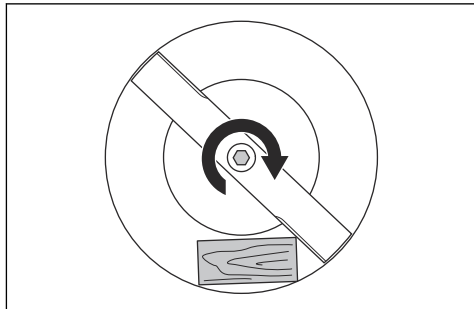
1. Застопорете ножа с дървен блок.



2. Свалете придържащия болт на ножовете.
3. Свалете ножа.
4. Проверете носача на ножа и придържащия болт на ножовете, за да видите дали има повреди.
5. Проверете двусекционния вал на двигателя, за да се уверите, че не е огънат.
6. Когато поставяте новия нож, насочете извитите краища на ножа по посока към капака на режещите части.



7. Уверете се, че ножът е подравнен с центъра на двусекционния вал на двигателя.
8. Застопорете ножа с дървен блок. Поставете пружинната шайба и затегнете болта и шайбата с въртящ момент 23–28 Nm.



9. Раздвижете ножа на ръка и се уверете, че той се върти свободно.



### ПРЕДУПРЕЖДЕНИЕ:

Използвайте ръкавици с висока здравина. Ножът е много остър и можете лесно да се порежете.

10. Стартирайте продукта, за да тествате ножа. Ако ножът не е поставен правилно, продуктът вибрира или резултатът от косенето е незадоволителен.

## Отстраняване на проблеми

### Акумулатор

Светодиод на акумулатора	Причина	Решение
Зеленият светодиод мига.	Напрежението на акумулатора е ниско.	Заредете акумулаторната батерия. Вижте <i>За зареждане на акумулатора на страница 37</i> .
Светодиодът за грешка мига.	Акумулаторът е изтощен.	Заредете акумулаторната батерия. Вижте <i>За зареждане на акумулатора на страница 37</i> .
	Температурата в работната среда е прекалено висока или прекалено ниска.	Използвайте акумулатора при температури между -10°C и 40°C.
	Свърхнапрежение.	Уверете се, че напрежението на електрическата мрежа е същото като на типовата табелка на продукта.  Извадете батерията от зарядното устройство. Изчакайте 5 секунди и опитайте отново да заредите акумулатора. Ако проблемът продължава, обърнете се към одобрен сервиз.
Светодиодът за грешка свети.	Разликата в клетките е твърде голяма (1 V).	Обърнете се към одобрен сервиз.

### Зарядно устройство за батерията

Светодиод на зарядното устройство	Причина	Решение
Светодиодът за грешка мига.	Температурата в работната среда е прекалено висока или прекалено ниска.	Използвайте зарядното устройство на акумулатора при температури между 5°C и 40°C.
Светодиодът за грешка свети.		Обърнете се към одобрен сервиз.

### Пулт за управление

За проблеми, различни от тези в този раздел, свържете се с Вашия сервиз.

Клавиатура	Код на грешка (Брой премигвания)	Възможни неизправности	Възможно действие
Светодиодът за грешка мига	3	Двигателят е претоварен	Увеличете височината на рязане. Вижте <i>За регулиране на височината на рязане на страница 36</i> .
	5	Оборотите на двигателя спадат прекалено много и двигателят спира	
	10	Управлението на двигателя е прекалено горещо	Спрете двигателя и изчакайте докато изстине
	2	Ножът е блокиран	За да предотвратите случайно стартиране, завъртете ключа за безопасност на 0, отстранете акумулатора и изчакайте най-малко 5 секунди. Уверете се, че ножът се върти свободно. Ако проблемът продължи, обърнете се към упълномощен сервиз
	9	Грешка на акумулатора или липса на сигнал от него	Поставете правилно акумулатора в продукта и проверете конектора на акумулатора. Ако светодиодът за грешка на акумулатора мига, вижте <i>Акумулатор на страница 36</i> .
Продуктът спира	8	Акумулаторът е изтощен	Заредете батерията. Вижте <i>За зареждане на акумулатора на страница 37</i> .
	0	Грешка в конектора на акумулатора	Проверете конектора на акумулатора

## Транспортиране, съхранение и изхвърляне

### Въведение



**ПРЕДУПРЕЖДЕНИЕ:** За да предотвратите случайно стартиране по време на транспортиране, завъртете ключа за безопасност на 0, отстранете акумулатора и изчакайте най-малко 5 секунди.

- Поставете тиксо върху конекторите на акумулатора и се уверете, че акумулаторът не може да се движи по време на транспортиране.
- Закрепете продукта по време на транспортиране.

### Съхранение

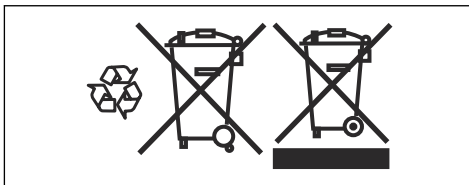
- Винаги изваждайте акумулатора за съхранение.
- За да се избегнат инциденти, се уверете, че акумулаторът не е свързан към продукта по време на съхранение.
- Съхранявайте зарядното устройство в затворено и сухо помещение.
- Съхранявайте акумулатора и зарядното устройство на сухо място, където няма влага или скреж.
- При съхранение разкачете акумулатора от зарядното устройство.
- Не съхранявайте акумулатора, където може да се натрупа статично електричество. Не съхранявайте акумулатора в метална кутия.
- Съхранявайте акумулатора при температура между 5°C и 25°C и далече от слънчева светлина.

### Транспортиране

- В сила са изискванията на Законодателството за опасни продукти, отнасящи се до литиево-йонни акумулатори.
- За търговско транспортиране трябва да се спазват специалните изисквания върху опаковката и етикетите.
- Уверете се, че спазвате разпоредбите за опасни материали, когато подготвяте продукта за транспорт. Може да са в сила местни разпоредби.
- Винаги изваждайте акумулатора при транспортиране.

- Съхранявайте зарядното устройство при температура между 5°C и 45°C и далече от слънчева светлина.
- Уверете се, че акумулаторът е зареден до 30% – 50% преди съхранение за продължителен период.
- Съхранявайте продукта, акумулатора и зарядното устройство в заключено помещение без достъп за деца или неупълномощени лица.
- Почистете продукта и извършете пълно обслужване, преди да го съхранявате продължително време.

негативно отражение върху околната среда и хората, което би могло да настъпи иначе в резултат на неправилно изхвърляне на този продукт. За повече подробна информация относно рециклирането на този продукт се свържете с местната администрация, услугите за битови отпадъци или магазина, откъдето сте закупили продукта.



## Изхвърляне

Символите на продукта или на неговата опаковка показват, че този продукт не може да бъде третиран като битов отпадък. Той трябва да бъде подаден в съответната рециклираща станция за използване на електрическо и електронно оборудване.

Подавайки този продукт на правилното място, вие спомагате за предотвратяване на потенциалното

## Технически данни

	<b>LB 146i</b>
<b>Двигател за косене</b>	
Тип двигател	BLDC (безчетков) 36 V
Обороти на двигателя – SavE, об./мин.	2600
Обороти на двигателя – номинални, об./мин.	3000
Обороти на двигателя – високо натоварване, об./мин.	3500
Изходна мощност на двигателя – макс. kW	1,05
Изходна мощност на двигателя – номинална, kW	0,9
Граница на свръхток (граница на ток: 900W-27A)	27 (+/-) 1A
<b>Тегло</b>	
Тегло без акумулаторна батерия, kg	16,9
<b>Акумулатор <sup>5</sup></b>	
Тип акумулатор	Серия акумулатори Husqvarna
<b>Време на работа на батерията</b>	
Време за работа на акумулатора, мин., (свободна работа) при активирана функция SavE с една акумулаторна батерия Husqvarna 5,2 Ah (BLi200).	77
Време за работа на акумулаторната батерия, мин., (свободна работа) при активиран стандартен режим с една акумулаторна батерия Husqvarna 5,2 Ah (BLi200).	45

<sup>5</sup> За най-добри резултати и производителност се препоръчва акумулаторът Husqvarna BLi200.

	<b>LB 146i</b>
<b>Шумови емисии</b> <sup>6</sup>	
Ниво на звуковата мощност, измерена dB(A)	90
Ниво на звуковата мощност, гарантирана [L <sub>WA</sub> dB(A)]	91
<b>Нива на шума</b> <sup>7</sup>	
Ниво на шума при ухото на работещия, dB (A)	79
<b>Нива на вибрациите</b> <sup>8</sup>	
Ръкохватка, m/s <sup>2</sup>	0,9
<b>Режещо оборудване</b>	
Височина на рязане, mm	35 – 70 mm
Ширина на рязане, cm	46
Нож	BioClip
Номер на артикул	5947022-10

Одобрени акумулатори	Тип	Капацитет на акумулаторната батерия, Ah	Напрежение, V	Тегло, lb/kg
BLi20	Литиево-йонен	4,0	36	2,6/1,2
BLi200	Литиево-йонен	5,2	36	2,8/1,3
BLi300	Литиево-йонен	9,4	36	4,2/1,9

Одобрени зарядни устройства за определени акумулатори, BLi	Входно напрежение, V	Честота, Hz	Мощност, W
QC80	100 – 240	50 – 60	100
QC80F	10 – 15	Не е налично	95
QC330	100 – 240	50 – 60	330
QC500	100 – 240	50 – 60	500
40-C80	100 – 240	50 – 60	68,8

<sup>6</sup> Емисии на шума в околната среда, измерени като звукова мощност (L<sub>WA</sub>) в съответствие с директива на ЕО 2000/14/ЕО.

<sup>7</sup> Отчетените данни за нивото на звуковото налягане имат типична статистическа дисперсия (стандартно отклонение) от 1,2 dB (A).

<sup>8</sup> Отчетените данни за равнището на вибрации имат типична статистическа дисперсия (стандартно отклонение) от 0,2 m/s<sup>2</sup>. Стандарт за вибрации EN 60335-2-77:2017 глава 20.105

---

## Декларация за съответствие на ЕО

---

### Декларация за съответствие на ЕО

**Husqvarna AB**, SE-561 82 Huskvarna, Швеция, тел.: +46-36-146500, удостоверява, че **косачката Husqvarna LB 146i** от година 2021 и след това отговаря на изискванията на ДИРЕКТИВАТА НА СЪВЕТА:

- от 8 юни 2011 г. относно "ограничения за използване на определени опасни вещества" **2011/65/EC**
- от 17 май 2006 г., „свързана с машини“ **2006/42/EO**
- от 26 февруари 2014 г., "свързани с електромагнетичната съвместимост" **2014/30/EC**
- от 8 май 2000 г., "свързани с шумовите емисии в околната среда" **2000/14/EO**

За информация относно емисиите на шум, вж. "Технически данни".

Приложени са следните стандарти:

**EN 60335-1:2012+A11:2014+A13:2017, EN 60335-2-77:2010, EN 62233:2008, EN 55014-1:2017+A11:2020, EN 55014-2:2015, EN IEC 63000:2018**

Ако не е указано друго, посочените по-горе стандарти са последните публикувани версии.

Нотифициран орган: **0404, RISE SMP Svensk Maskinprovning AB, Box 7035, SE-750 07 Uppsala** е извършил оценка на съответствието съгласно Приложение VI на директива 2000/14/EO.

Huskvarna, 2021-10-30



Claes Losdal, Мениджър "Разработки и Развитие"/"Градински продукти" (Упълномощен представител за Husqvarna AB и отговорно лице за техническата документация)

## Obsah

Úvod.....	47	Odstraňování problémů.....	63
Bezpečnost.....	49	Přeprava, skladování a likvidace.....	65
Montáž.....	57	Technické údaje.....	65
Provoz.....	58	ES Prohlášení o shodě.....	68
Údržba.....	61		

## Úvod

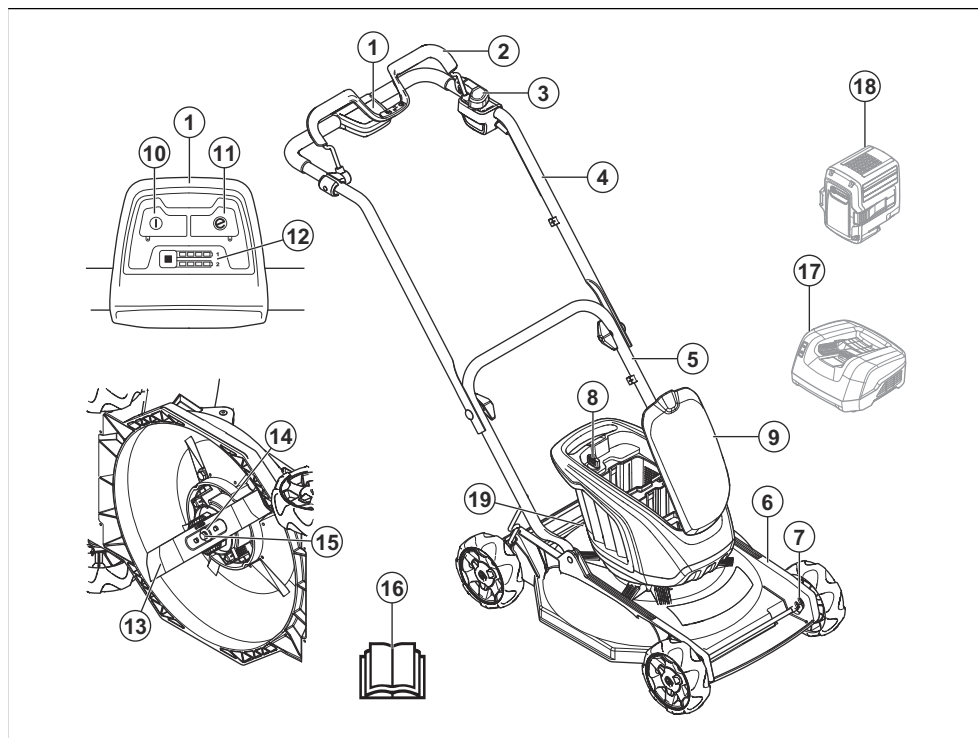
### Popis výrobku

Výrobek je rotační sekačka na trávu s péší obsluhou, která pomocí funkce BioClip umožňuje využití posečenou trávu jako hnojivo.

### Zamýšlené použití

Výrobek použijte k sečení trávy. K jiným činnostem výrobek nepoužívejte.

### Popis výrobku



1. Ovládací panel
2. Rukojeť brzdy motoru
3. Inhibitor spuštění
4. Horní část řídítek
5. Dolní část řídítek
6. Kryt žacího ústrojí
7. Ovladač výšky sečení

8. Bezpečnostní klíček
9. Kryt baterie
10. Tlačítko ON/OFF
11. Tlačítko SaveE (Úspora energie)
12. Ukazatel stavu nabití baterie a tlačítko baterie
13. Žací nůž
14. Pružná podložka

15. Šroub nože
16. Návod k používání
17. Nabíječka baterie (příslušenství)
18. Baterie (příslušenství)
19. Typový štítek s kódem QR

## Symbole na výrobku



**Varování:** Neopatrné nebo nesprávné použití může vést ke zranění nebo usmrcení obsluhy a dalších osob.



Před použitím si pozorně prostudujte tento návod k používání a nepoužívejte výrobek, pokud návodu zcela nerozumíte.



Zajistěte, aby se v pracovní oblasti a jejím okolí nezdržovaly nepovolané osoby či zvířata.



Pozor na odvržené a odražené předměty.



**Varování:** Ruce a nohy udržujte mimo dosah rotujícího nože.



**Varování:** Ruce a nohy udržujte mimo dosah rotujících částí.



Před zahájením oprav nebo údržby vyjměte bezpečnostní klíč.



**Nevystavujte dešti**



Výrobek ani obal výrobku nelze zlikvidovat jako domácí odpad. Odevzdejte jej ve stanici pro recyklaci elektrických a elektronických zařízení.



Výrobek odpovídá příslušným směrnici ES.



Výrobek odpovídá příslušným směrnici Eurasijské celní unie.



Výrobek odpovídá příslušným směrnici UkrSEPRO.



Výrobek odpovídá příslušným směrnici RCM. Platné pouze pro Austrálii/Nový Zéland



Emise hluku do okolí dle směrnice Evropského společenství. Emise produktu jsou uvedeny v kapitole Technické údaje a na štítku.



**IPX1** IPX1 – Ochrana proti kapající vodě





Startovací proces: stiskněte tlačítko ON/OFF, povolte inhibitor spouštění, zatlačte rukojeť brzdy motoru směrem dolů.



Uvolněním rukojeti brzdy motoru zastavíte.

**Povšimněte si:** Další symboly/štítky na produktu se týkají certifikačních požadavků pro určité obchodní trhy.

**Štítek na výrobku**



NEBEZPEČÍ – Udržujte ruce a nohy z dosahu.

## Odpovědnost za výrobek

Jak uvádí zákon o odpovědnosti za výrobek, neneseme odpovědnost za žádnou škodu způsobenou našim výrobkem, pokud:

- byl výrobek nesprávně opraven.
- byl výrobek opraven pomocí součástí od jiného výrobce nebo součástí, které nejsou výrobcem schváleny.
- má výrobek příslušenství od jiného výrobce nebo příslušenství, které není výrobcem schváleno.
- výrobek nebyl opraven ve schváleném servisním středisku nebo schváleným odborníkem.

## Bezpečnost

### Definice týkající se bezpečnosti

Varování, upozornění a poznámky slouží jako upozornění na specifické důležité části návodu.



**VÝSTRAHA:** Používá se v případě nebezpečí úrazu nebo usmrcení

obsluhy nebo okolních osob, pokud nejsou dodrženy pokyny uvedené v této příručce.



**VAROVÁNÍ:** Používá se v případě nebezpečí poškození výrobku,

dalších materiálů či škod na majetku v blízkém okolí, pokud nejsou dodrženy pokyny uvedené v této příručce.

---

**Povšimněte si:** Používá se k poskytnutí dalších informací, které jsou nezbytné v dané situaci.

---

## Obecné bezpečnostní pokyny

---



**VÝSTRAHA:** Před použitím výrobku si přečtěte následující varování.

---

- Tento výrobek je nebezpečný, nepoužívá-li se správně nebo není-li věnována provozu řádná pozornost. Nedodržení bezpečnostních pokynů může vést ke zranění nebo usmrcení.
- Tento výrobek vytváří během provozu elektromagnetické pole. Toto pole může za určitých okolností narušovat funkci aktivních či pasivních implantovaných lékařských přístrojů. Za účelem snížení rizika možného zranění nebo smrtelného úrazu doporučujeme osobám s implantovanými lékařskými

přístroji poradit se před použitím výrobku s lékařem a s výrobcem implantovaného lékařského přístroje.

- Buďte stále opatrní a používejte zdravý rozum. Nejste-li si jisti, jak ovládat výrobek ve zvláštních situacích, vypněte jej a promluvte si s prodejcem Husqvarna, než budete pokračovat v práci.
- Mějte na paměti, že obsluha je odpovědná za nehody a škody vzniklé jiným osobám nebo na jejich majetku.
- Udržujte výrobek čistý. Ujistěte se, že jsou značky a štítky dobře čitelné.
- Nikdy nedovolte dětem nebo osobám, které se neseznámily s těmito pokyny, aby zařízení používaly. Věk obsluhy přístroje může být omezen místními předpisy.
- Vždy sledujte osoby s fyzickým nebo mentálním postižením při práci s výrobkem. Vždy musí být přítomna zodpovědná dospělá osoba.
- Nepoužívejte výrobek, jste-li unavení, nemocní nebo pod vlivem alkoholu, drog nebo léků. To by mohlo ovlivnit váš

zrak, ostražitost, koordinaci a úsudek.

- Nepoužívejte výrobek, pokud je vadný.
- Nikdy neupravujte výrobek a nepoužívejte jej, pokud je možné, že jej upravil někdo jiný.

## Bezpečnost pracovního prostoru



**VÝSTRAHA:** Před použitím výrobku si přečtěte následující varování.

---

- Před použitím výrobku, odkliděte z pracovní oblasti předměty, jako jsou větve, větvičky a kameny.
- Předměty, které mohou být zachyceny žacím ústrojím mohou být odmrštěny a způsobit zranění osob a poškození předmětů. Udržujte osoby v okolí a zvířata v bezpečné vzdálenosti od výrobku.
- Nikdy nepoužívejte výrobek za špatného počasí, jako je mlha, déšť, silný vítr, intenzivní chlad a nebezpečí blesku. Použití výrobku za špatného počasí nebo ve vlhkých či mokrych podmínkách je namáhavé. Nepříznivé počasí

může vytvořit nebezpečné podmínky, např. kluzký povrch.

- Dávejte pozor na osoby, předměty a situace, které mohou bránit bezpečnému provozu výrobku.
- Dávejte pozor na překážky, jako jsou kořeny, kameny, větve, díry a příkopy. Vysoká tráva může překážky skrýt.
- Sečení trávy na svazích může být nebezpečné. Nesečte na příliš prudkých svazích. Nepoužívejte výrobek na svahu se sklonem větším než 15°.
- Při změně směru na svazích buďte maximálně opatrní. S výrobkem jezděte po vrstevnicích. Nepohybuje se na svahu nahoru a dolů.
- Postupujte opatrně v blízkosti skrytých rohů a objektů, které mohou bránit ve výhledu.

## Bezpečnost práce



**VÝSTRAHA:** Před použitím výrobku si přečtěte následující varování.

---

- Tento výrobek používejte výhradně k sečení trávy. Není dovoleno používat výrobek k jiným činnostem.

- Používejte osobní ochranné pomůcky. Další informace naleznete v části *Osobní ochranné prostředky na strani 53*.
- Ujistěte se, že víte, jak v případě nouze rychle zastavit motor.
- Neprovozujte výrobek v dešti a vlhku. Nebezpečí úrazu elektrickým proudem se zvyšuje, přijde-li výrobek do styku s vodou.
- Neprovozujte výrobek, pokud není správně namontovaný nůž a všechny kryty. V opačném případě by se mohl nůž uvolnit a způsobit zranění osob.
- Zajistěte, aby nůž nenarazil do předmětů, jako jsou kameny a kořeny. Mohlo by dojít k poškození nože a ohnutí hřídele motoru. Ohnutý hřídel způsobuje velké vibrace a hrozí velmi vysoké riziko uvolnění nože.
- Pokud nůž narazí do nějakého předmětu nebo se objeví vibrace, okamžitě zastavte výrobek. Zastavte motor, otočte bezpečnostní klíček do polohy 0 a vyjměte baterii. Zkontrolujte, zda není výrobek poškozený. Opravte poškozené díly nebo svěřte opravu schválenému servisnímu pracovníkovi.
- Po nastartování motoru nikdy nepřipevňujte rukojeť brzd motoru trvale k rukojeti sekačky.
- Umístěte výrobek na stabilní, rovný povrch a nastartujte jej. Zkontrolujte, zda nůž nemůže přijít do kontaktu se zemí nebo cizími objekty.
- Při provozu vždy stůjte za výrobkem.
- Při provozu nechte všechna kola spočívat na zemi a držte rukojeť oběma rukama. Ruce a nohy udržujte mimo dosah rotujících nožů.
- Nenaklánějte výrobek, když je spuštěný motor.
- Dávejte pozor při tažení výrobku dozadu.
- Nikdy výrobek nezvedejte, když je spuštěný motor. Pokud musíte výrobek zvednout, nejprve vypněte motor, otočte bezpečnostní klíček do polohy 0 a vyjměte baterii.
- Při provozování výrobku nechoďte směrem dozadu.
- Před přejezdem ploch bez trávy, jako jsou cesty vytvořené ze štěrku, kamenů nebo asfaltu, vypněte motor.

- Neběhejte s výrobkem, když je spuštěný motor. Při provozu výrobku vždy pouze chodte.
- Před změnou výšky sečení vypněte motor. Nikdy neupravujte nastavení při spuštěném motoru.
- Nikdy nenechte výrobek se spuštěným motorem bez dozoru. Vypněte motor a ujistěte se, že se žací ústrojí neotáčí.

## Bezpečnostní pokyny pro provoz

### Osobní ochranné prostředky



**VÝSTRAHA:** Před použitím výrobku si přečtěte následující varování.

- Osobní ochranné prostředky nemohou zcela eliminovat nebezpečí úrazu, ale v případě nehody pomáhají snížit míru poranění. Požádejte prodejce, aby vám pomohl vybrat správné vybavení.
- Používejte odolnou obuv s protiskluzovou podrážkou. Nepoužívejte otevřenou obuv ani nepracujte naboso.
- Používejte silné, dlouhé kalhoty.
- Při určitých činnostech používejte ochranné rukavice,

například při nasazování, prohlídce nebo čištění žacího ústrojí.

### Bezpečnostní zařízení na produktu



**VÝSTRAHA:** Před použitím výrobku si přečtěte následující varování.

- Nepoužívejte výrobek, jehož bezpečnostní zařízení jsou vadná!
- Pravidelně kontrolujte bezpečnostní zařízení. Pokud je zařízení vadné, obraťte se na servis Husqvarna.

### Kontrola krytu žacího ústrojí

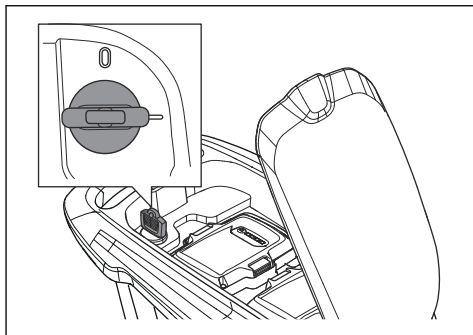
Kryt žacího ústrojí snižuje vibrace výrobku a snižuje nebezpečí poranění nožem.

- Zkontrolujte kryt žacího ústrojí, aby bylo zajištěno, že nevykazuje známky poškození, např. praskliny.

### Bezpečnostní klíček

Bezpečnostní klíček se nachází pod víkem baterie. Bezpečnostní klíček připojuje baterii, která slouží jako napájecí zdroj motoru.

- Kontrolu funkce bezpečnostního klíčku provedete spuštěním a vypnutím motoru.
- V případě správné funkce bezpečnostního klíčku se motor spustí, pouze když je klíček otočený do polohy 1.

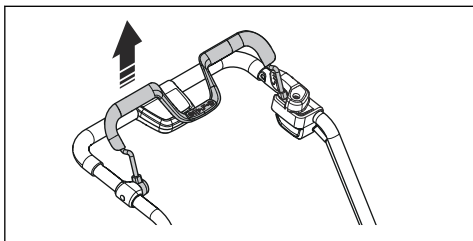


### Rukojeť brzdy motoru

Rukojeť brzdy motoru slouží k zastavení motoru. Když uvolníte rukojeť brzdy motoru, motor se zastaví.

Chcete-li zkontrolovat funkci brzdy motoru, nastartujte motor a uvolněte rukojeť brzdy motoru. Pokud se motor nevyplne během 3 sekund, požádejte schváleného

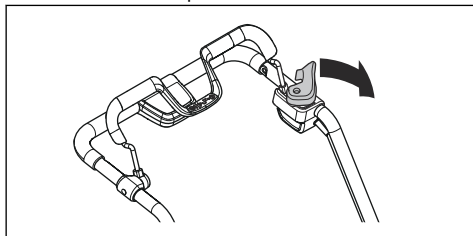
servisního pracovníka Husqvarna o seřízení brzdy motoru.



#### Kontrola inhibitoru spuštění

Proveďte kontrolu inhibitoru spuštění a ujistěte se, že brání provozu motoru.

1. Zatlačte rukojeť brzdy motoru směrem k řídítkům. Inhibitor spuštění přeruší pohyb.
2. Zatlačte inhibitor spuštění směrem ven.



3. Uvolněte inhibitor spuštění a ujistěte se, že se vrátí do své výchozí polohy.

### Bezpečnostní pokyny týkající se baterií



**VÝSTRAHA:** Před použitím výrobku si přečtěte následující varování.

- Nepoužívejte baterie, které nejsou určeny k dobíjení.
  - Nebezpečí úrazu elektrickým proudem. Vývody baterie nepřipojujte ke klíčům, mincím, šroubkům nebo jiným kovům. Může to způsobit zkrat baterie.
  - Nevkládejte do větracích otvorů baterie žádné předměty.
  - Chraňte baterii před sluncem, teplem nebo otevřeným ohněm. Baterie může explodovat a způsobit popáleniny a/nebo chemické popáleniny.
  - Chraňte baterii před deštěm a vlhkým prostředím.
  - Chraňte baterii před mikrovlnami a vysokým tlakem.
  - Baterii nikdy nerozebírejte nebo nerozbíjejte.
  - Pokud baterie netěsní, kapalina nesmí přijít do styku s kůží a očima. Po styku s kapalinou omyjte zasaženou oblast velkým množstvím vody a získejte lékařskou pomoc.
  - Baterii používejte při teplotě  $-10\text{ }^{\circ}\text{C}$  až  $40\text{ }^{\circ}\text{C}$ .
  - Baterii ani nabíječku baterií nečistěte vodou. Viz *Čištění baterie nebo nabíječky baterií na strani 62*.
- Dobíjecí baterie Husqvarna používejte jako zdroj napájení pouze pro související produkty Husqvarna. Abyste zabránili zranění, nepoužívejte baterii jako zdroj napájení pro jiná zařízení.

- Nepoužívejte vadnou nebo poškozenou baterii.
- Baterie uchovávejte mimo dosah kovových předmětů, jako jsou např. hřebíky, mince nebo šperky.

## Bezpečnostní pokyny pro nabíječku baterií



**VÝSTRAHA:** Před použitím výrobku si přečtěte následující varování.

- Nabíječku baterií QC používejte pouze pro nabíjení náhradních baterií Husqvarna.
- Hrozí nebezpečí zkratu a úrazu elektrickým proudem. Nevkládejte do větracích otvorů nabíječky žádné předměty. Nabíječku baterií nerozebírejte. Nepřipojujte nabíjecí vývody ke kovovým předmětům. Používejte schválenou elektrickou zásuvku.
- Tento výrobek vytváří během provozu elektromagnetické pole. Toto pole může za určitých okolností narušovat funkci aktivních či pasivních implantovaných lékařských přístrojů. Za účelem snížení rizika možného zranění nebo smrtelného úrazu doporučujeme osobám s implantovanými lékařskými přístroji poradit se před použitím výrobku s lékařem a s výrobcem implantovaného lékařského přístroje.
- Pravidelně kontrolujte, zda není napájecí kabel poškozený a nejsou na něm praskliny.
- Nabíječku nezvedejte pomocí napájecího kabelu. Když nabíječku baterií odpojujete z elektrické zásuvky, tahejte za zástrčku. Netahejte za napájecí kabel.
- Uchovávejte napájecí kabel a prodlužovací šňůry mimo dosah vody, oleje a ostrých okrajů. Dejte pozor, aby nebyl kabel přivřen ve dveřích, nezachytil se za plot a podobně. Mohlo by dojít k probíjení nabíječky.
- Nabíječku baterií nečistěte vodou.
- Nabíječku baterií smí používat děti od 8 let a osoby se sníženými fyzickými, smyslovými nebo duševními schopnostmi nebo nedostatečnými zkušenostmi či znalostmi pod dozorem odpovědné osoby, nebo pokud jim takováto osoba poskytne pokyny, které zajistí, že budou

nabíječku používat bezpečným způsobem. Děti si s nabíječkou nesmí hrát.

Čištění a údržbu nesmí provádět děti bez dozoru.

- V nabíječce nenabíjete baterie, které nejsou určeny k opětovnému dobíjení.
- Nabíječku nepoužívejte v blízkosti hořlavých nebo korozivních materiálů. Nabíječku baterií nezakrývejte. V případě, že zaznamenáte kouř nebo požár, vytáhněte zástrčku kabelu nabíječky baterií ze zásuvky.
- Nepoužívejte vadnou nebo poškozenou nabíječku baterií.
- Baterii nabíjete pouze uvnitř, a to v dobře odvětrané místnosti a mimo dosah slunečních paprsků. Nenabíjete baterii ve vlhkém prostředí.

## Bezpečnostní pokyny pro údržbu



**VÝSTRAHA:** Před použitím výrobku si přečtěte následující varování.

- Neúmyslnému spuštění během údržby můžete zabránit tím, že otočíte bezpečnostní klíček do

polohy 0 a vyjmete baterii.

Před započítím údržby vyčkejte minimálně 5 sekund.

- Správným provedením údržby zvýšíte životnost výrobku a snížíte nebezpečí nehod. Odborné opravy by měl provést schválený servisní pracovník. Pro další informace se obraťte na nejbližšího servisního pracovníka.
- Provádějte pouze údržbu uvedenou v tomto návodu k používání. Rozsáhlejší zásahy musí provést schválený servisní pracovník.
- Při manipulaci s žacími ústrojími používejte silné rukavice. Nůž je velmi ostrý a může snadno dojít k pořezání.
- Pro dosažení nejlepšího výsledku a bezpečnosti zajistěte, aby byla ostří nože čistá a ostrá.
- Zajistěte pravidelné kontroly a provádění potřebného seřízení a oprav výrobku u servisního pracovníka.
- Poškozené, opotřeбенé či prasklé součásti vyměňte.
- Dodržujte pokyny pro výměnu příslušenství. Používejte výhradně příslušenství od výrobce.



- Pokud není výrobek, baterie a nabíječka baterií právě v provozu, uchovávejte je samostatně v suchém, vnitřním a uzamčeném

prostoru. Zajistěte, aby k výrobku, baterii či nabíječce baterií neměly přístup děti ani nepovolané osoby.

## Montáž

### Úvod



**VÝSTRAHA:** Před montáží produktu si přečtěte kapitolu bezpečnosti.



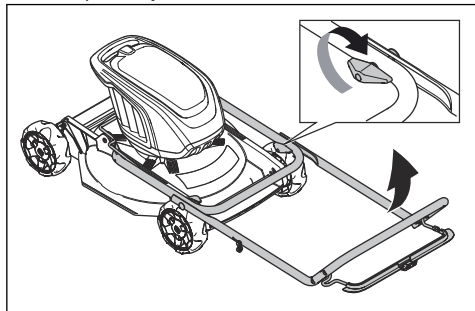
**VÝSTRAHA:** Neúmyslnému spuštění během montáže můžete zabránit tím, že otočíte bezpečnostní klíček do polohy 0, vyjmete baterii a počkáte alespoň 5 sekund.

### Montáž rukojeti

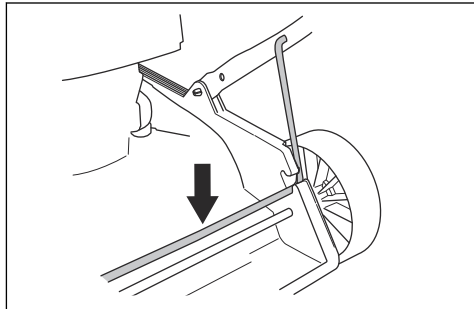


**VAROVÁNÍ:** Nepřekrucujte kabely.

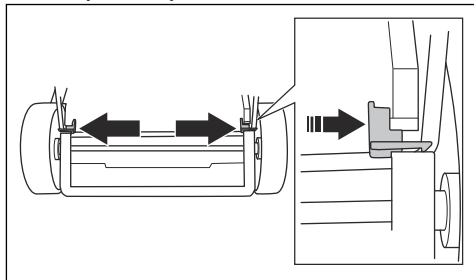
1. Zarovnejte otvory v horní části řídítek s otvory v dolní části řídítek.
2. Pevně utáhněte knoflíky na pravé i levé straně a sklopte rukojeť nahoru.



3. Umístěte vzpěru do drážky na krytu žacího ústrojí.



4. Připevněte 2 záračky, které zajišťují vzpěru a rukojeť. Zcela je zatlačte na místo.



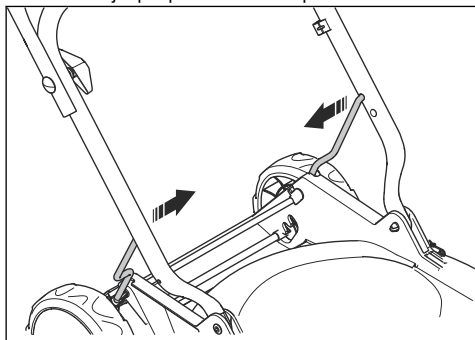
**Povšimněte si:** Jedna ze dvou záraček je označena písmenem H a druhá písmenem V. Záračku s označením „H“ umístěte vpravo a záračku s označením „V“ vlevo.



**VAROVÁNÍ:** Neprovozujte výrobek, pokud nejsou tyto 2 záračky upevněny.

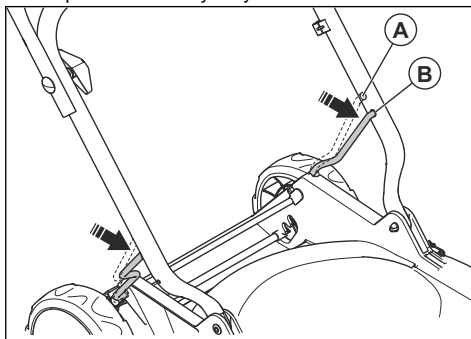
## Nastavení výšky řídítek

1. Odmontujte podpěru řídítek ze spodní části řídítek.



a) Vložte podpěru řídítek do horního otvoru (A), pokud chcete snížit výšku řídítek.

b) Vložte podpěru řídítek do spodního otvoru (B), pokud chcete zvýšit výšku řídítek.



## Provoz

### Úvod



**VÝSTRAHA:** Před používáním produktu je třeba, abyste si přečetli a porozuměli kapitole o bezpečnosti.

### Husqvarna Connect

Husqvarna Connect je bezplatná aplikace pro mobilní zařízení. Aplikace Husqvarna Connect dodá vašemu výrobku Husqvarna doplňkové funkce:

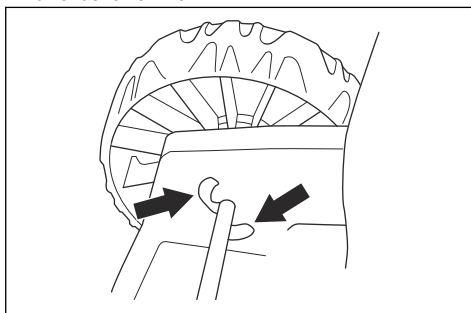
- Rozšířené informace o výrobku.
- Informace o dílech a servisu a nápověda pro tyto položky.

### Jak začít používat aplikaci Husqvarna Connect

1. Stáhněte si aplikaci Husqvarna Connect do svého mobilního zařízení.
2. V aplikaci Husqvarna Connect se zaregistrujte.
3. Při připojování a registraci výrobku postupujte podle pokynů v aplikaci Husqvarna Connect.

### Nastavení výšky sečení

- Vytlačte hřídel a posuňte ji do správné polohy u každého ze 4 kol.



**VAROVÁNÍ:** Nenastavujte výšku sečení příliš nízko. V případě, že není povrch trávníku rovný, mohou nože přijít do styku se zemí.

### Baterie

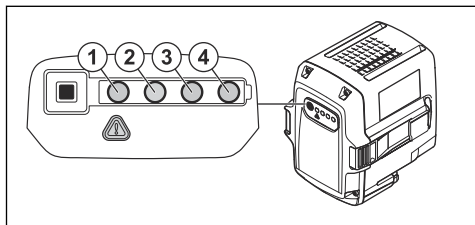


**VÝSTRAHA:** Před použitím baterie je třeba, abyste si přečetli a porozuměli kapitole o bezpečnosti. Rovněž je nezbytné, abyste si přečetli a pochopili návod k používání baterie a nabíječky baterií.

### Stav baterie

Displej ukazuje zbývající kapacitu baterie a zda došlo k problémům s baterií. Kapacita baterie se zobrazuje 5 sekund po vypnutí produktu nebo po stisku tlačítka

ukazatele stavu baterie Pokud dojde k chybě, rozsvítí se na baterii výstražný symbol. Viz *Baterie na strani 63*.



Kontrolky LED	Stav baterie
Všechny kontrolky LED svítí	Plně nabití (75–100 %).
Svítí kontrolky LED 1, LED 2, LED 3.	Nabití baterie je 50–75 %.
Svítí kontrolky LED 1, LED 2.	Nabití baterie je 25–50 %.
Svítí kontrolka LED 1.	Baterie je nabitá na 0–20 %.
Bliká kontrolka LED 1.	Baterie je vybitá. Nabijte baterii.

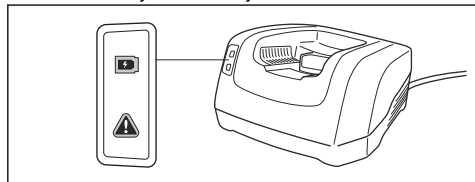
## Nabití baterie

Před prvním použitím baterii nabijte. Baterie je při dodání zákazníkovi nabitá pouze na 30 %.

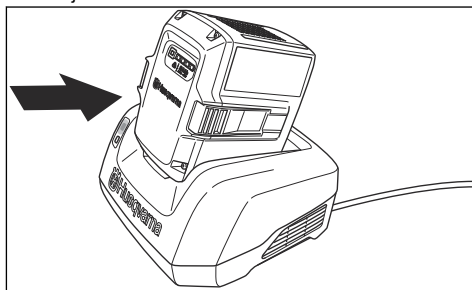
**Povšimněte si:** Nabíječka baterií musí být připojena ke zdroji o napětí a frekvenci uvedené na typovém štítku.

Pokud teplota baterie přesahuje 50 °C, baterie se nenabíjí. Před zahájením nabíjení zajistí nabíječka baterií snížení teploty baterie.

1. Připojte jeden konec napájecího kabelu nabíječky baterií do zásuvky na nabíječce baterií.
2. Připojte druhý konec napájecího kabelu nabíječky baterií do uzemněné elektrické zásuvky. Kontrolka LED na nabíječce baterií jednou zeleně blikne.



3. Vložte baterii do nabíječky baterií. Když je baterie správně připojena k nabíječce baterií, rozsvítí se na nabíječce zelené světlo.



4. Když svítí všechny kontrolky LED baterie, baterie je plně nabitá. Baterii nabíjejte maximálně po dobu 24 hodin.
5. Když nabíječku baterií odpojujete z elektrické zásuvky, tahejte za zástrčku, nikoliv za kabel.
6. Vyměňte baterii z nabíječky.

## Stav nabíjení baterie

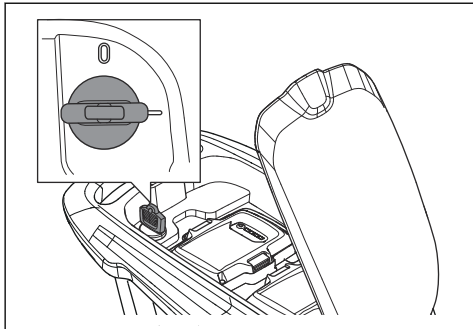
Lithium-iontové baterie Husqvarna lze nabíjet i používat bez ohledu na jejich úroveň nabití. Baterie není poškozená. I když plně nabitou baterii ponecháte v nabíječce, nedojde k poklesu jejího nabití.

LED displej	Stav nabíjení
Bliká kontrolka LED 1.	0–25 %
Svítí kontrolka LED 1, bliká kontrolka LED 2.	25–50 %
Svítí kontrolky LED 1, LED 2, bliká kontrolka LED 3.	50–75 %
Svítí kontrolky LED 1, LED 2, LED 3, bliká kontrolka LED 4.	75–100 %
Svítí kontrolky LED 1, LED 2, LED 3, LED 4.	Plně nabitá

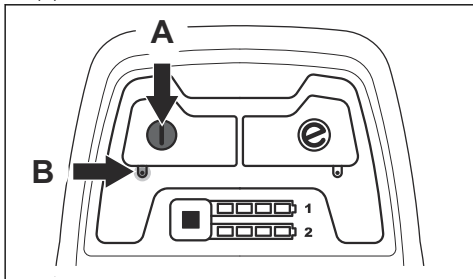
## Spuštění výrobku

1. Vložte nabitou baterii do přihrádky číslo 1 pod víkem baterie. Pro dosažení delší doby provozu vložte druhou baterii do přihrádky číslo 2.

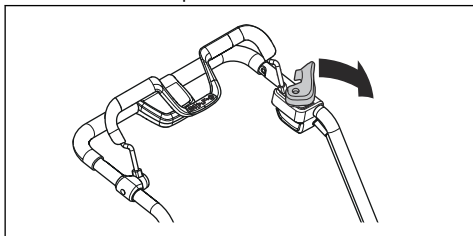
- Otočte bezpečnostní klíček do polohy 1.



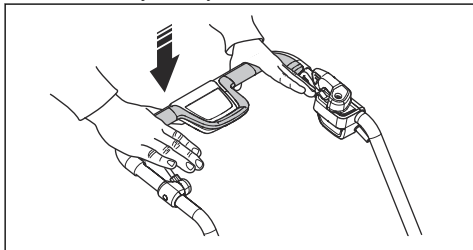
- Postavte se za výrobek.
- Na ovládacím panelu stiskněte tlačítko ON/OFF (ZAP/VYP) (A). Rozsvítí se zelená kontrolka LED (B).



- Povolte inhibitor spouštění.



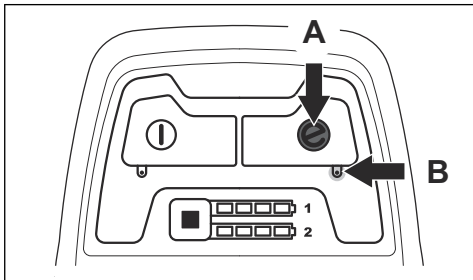
- Zatlačte rukojeť brzdy motoru směrem k řídítkům.



## Použití funkce Save

Výrobek má funkci úspory energie v bateriích (Save), která prodlužuje dobu provozu.

- Funkci zapnete stisknutím tlačítka Save (A). Rozsvítí se zelená kontrolka LED.



- Opětovným stiskem tlačítka Save funkci vypnete. Zelená kontrolka LED (B) zhasne.

Funkce Save se vypne automaticky, pokud terénní podmínky vyžadují vyšší výkon. Jakmile to terénní podmínky dovolí, funkce Save se automaticky zapne.

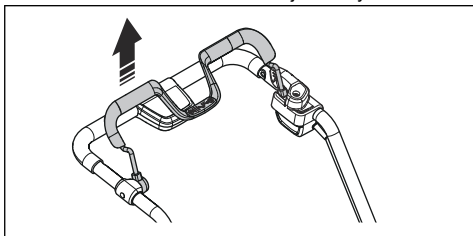
## Funkce vysokého zatížení

Když výrobek seká dlouhou či mokrou travu, motor automaticky zvýší své otáčky. Když není režim vysokého zatížení potřeba, motor se vrátí do standardního režimu.

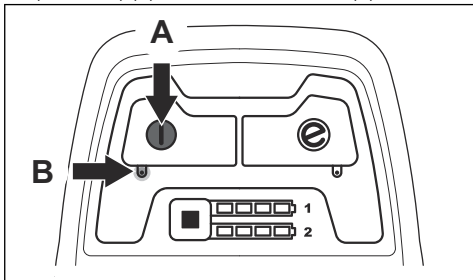
## Zastavení výrobku

Výrobek se automaticky vypne po 10 minutách, kdy s ním nepracujete. Před tím, než ponecháte výrobek bez dozoru, otočte vždy bezpečnostní klíček do polohy 0.

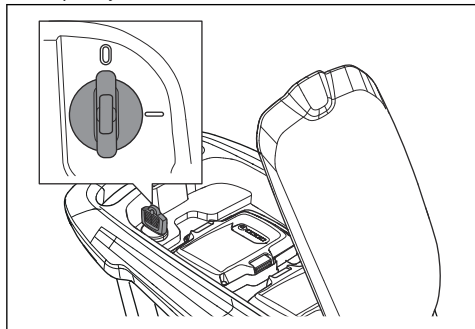
- Zastavte motor uvolněním rukojeti brzdy motoru.



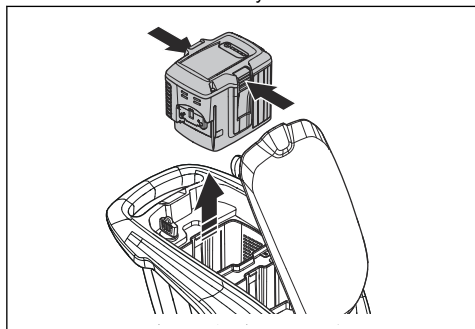
- Na ovládacím panelu stiskněte tlačítko ON/OFF (ZAP/VYP) (A). Zelená kontrolka LED (B) zhasne.



3. Otevřete víko baterie a otočte bezpečnostní klíček do polohy 0.



4. Chcete-li baterii vyjmout, stiskněte dvě tlačítka pro uvolnění baterie a baterii vytáhněte.



5. Pokud je baterie slabá, nabijte ji. Další informace viz *Nabití baterie na strani 59.*

## Jak docílit dobrých výsledků

- Používejte vždy ostrý nůž. Při použití tupého nože je stříh nepravidelný a posečený povrch trávy žlutne. Ostrý nůž také vyžaduje méně energie než tupý nůž.
- Nesekejte více než  $\frac{1}{3}$  výšky trávy. Nejprve sekejte se žacími ústrojí nastaveným vysoko. Zkontrolujte výsledek a případně snižte výšku sečení na požadovanou úroveň. Pokud je tráva velmi vysoká, jezděte pomalu a v případě potřeby sekejte 2krát.
- Sekejte vždy v jiném směru, aby na trávníku nevznikly pruhy.
- Udržujte kryt žacího ústrojí čistý. Nahromaděná tráva a nečistoty na vnitřní straně krytu žacího ústrojí mohou snížit výsledek sečení. Další informace jsou uvedeny v části *Čištění výrobku na strani 62.*

## Údržba

### Úvod



**VÝSTRAHA:** Před prováděním údržby je třeba, abyste si přečetli a porozuměli kapitole o bezpečnosti.

Pro servis a opravy výrobku je nezbytné speciální školení. Garantujeme dostupnost profesionálních oprav a servisu. Pokud neposkytuje prodejce servisní služby, požádejte jej o informace o nejbližším servisu.

### Plán údržby

Intervaly údržby se vypočítávají na základě každodenního používání výrobku. Intervaly se mění, není-li výrobek používán denně.

U údržby označené symbolem \* vyhledejte pokyny v části *Bezpečnostní zařízení na produktu na strani 53.*

	Každé použití	Měsíčně	Každou sezónu
Proveďte běžnou kontrolu.	X		
Vyčistěte výrobek.	X		
Zkontrolujte inhibitor spuštění.*	X		
Zkontrolujte, zda nejsou vadná bezpečnostní zařízení výrobku.*	X		
Zkontrolujte žací ústrojí.	X		

	Každé použití	Měsíčně	Každou sezónu
Zkontrolujte kryt žacího ústrojí.*	X		
Zkontrolujte rukojeť brzdy motoru.*	X		
Zkontrolujte, že tlačítko ON/OFF (ZAP/VYP) funguje správně a není vadné.	X		
Zkontrolujte, zda není baterie poškozena.	X		
Zkontrolujte úroveň nabití baterie.	X		
Zkontrolujte, zda na baterii fungují tlačítka pro uvolnění baterie a zda drží baterii v produktu.	X		
Zkontrolujte, zda není nabíječka baterií poškozena a ujistěte se, že funguje správně.		X	
Zkontrolujte připojení mezi baterií a výrobkem. Rovněž zkontrolujte připojení mezi baterií a nabíječkou baterií.			X

## Provedení běžné kontroly

- Zajistěte, aby byly matice a šrouby na výrobku správně dotaženy.
- Zkontrolujte, že kabely výrobku nejsou na místě, kde by mohlo dojít k jejich poškození.

## Čištění výrobku

- Plastové části čistěte čistou a suchou utěrkou.
- Nečistěte výrobek vodou. Voda může proniknout do baterie nebo motoru a způsobit zkrat nebo poškození výrobku.
- K čištění výrobku nepoužívejte vodu pod vysokým tlakem.
- Motor nesmí být přímo oplachován vodou.
- Pomocí kartáče odstraňte listí, trávu a nečistoty.

## Čištění baterie nebo nabíječky baterií



**VÝSTRAHA:** Baterii ani nabíječku baterií nečistěte vodou.

- Než vložíte baterii do nabíječky, zkontrolujte, zda jsou baterie a nabíječka baterie čisté a suché.
- Očistěte kontakty baterie stlačeným vzduchem nebo použijte měkkou a suchou utěrku.
- Očistěte povrch baterie a nabíječku baterie měkkou a suchou utěrkou.

## Kontrola žacího ústrojí



**VÝSTRAHA:** Neúmyslnému spuštění můžete zabránit tak, že otočíte bezpečnostní klíček do polohy 0, vyjmete baterii a počkáte alespoň 5 sekund.



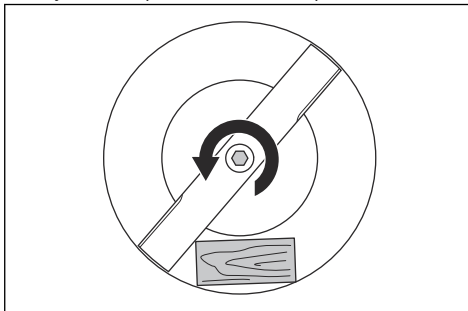
**VÝSTRAHA:** Při provádění údržby žacího ústrojí používejte ochranné rukavice. Nůž je velmi ostrý a může snadno dojít k pořezání.

1. Zkontrolujte žací ústrojí ohledně poškození a prasklin. Poškozené žací ústrojí vždy vyměňte.
2. Prohlédněte nůž a zkontrolujte, zda není poškozený nebo tupý.

**Povšimněte si:** Po ostření je nezbytné nůž vyvážit. Výměnu, ostření a vyvážení nože svěťte servisnímu středisku. Dojde-li k nárazu do překážky, po kterém dochází k vypínání výrobku, vyměňte poškozený nůž. O tom, zda je možné nůž nabrousit či zda je nutné ho vyměnit, rozhodne servisní středisko.

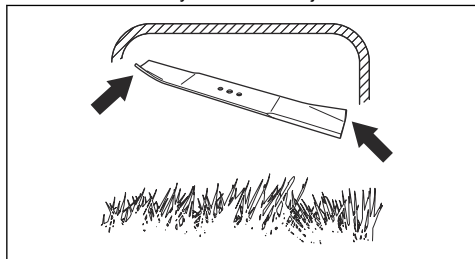
## Postup výměny nože

1. Zajistěte nůž pomocí dřevěného špalíku.

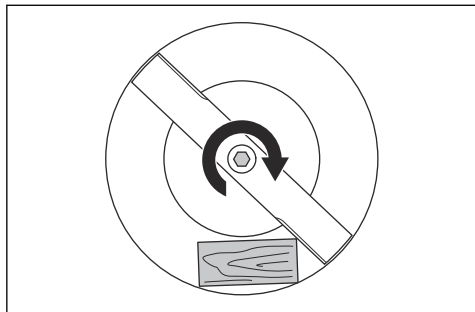


2. Demontujte šroub nože.
3. Odmontujte nůž.
4. Prohlédněte držák nože a šroub nože a zkontrolujte, zda nejsou poškozené.

5. Prohlédněte hřídel motoru a ujistěte se, že není ohnutý.
6. Při montáži nového nože nasměrujte zahnuté konce nože ve směru krytu žacího ústrojí.



7. Zkontrolujte, zda je nůž zarovnaný se středem hřídele motoru.
8. Zajistěte nůž pomocí dřevěného špalíku. Nasadte pružnou podložku a utáhněte šroub a podložku utahovacím momentem 23–28 Nm.



9. Otočte nožem rukou a zkontrolujte, zda se volně otáčí.



**VÝSTRAHA:** Používejte odolné rukavice. Nůž je velmi ostrý a může snadno dojít k pořezání.

10. Nastartujte výrobek a proveďte test nože. Pokud není nůž správně připevněn, výrobek vibruje a výsledky sečení nejsou uspokojivé.

## Odstraňování problémů

### Baterie

Kontrolka LED na baterii	Příčina	Řešení
Zelená kontrolka LED bliká.	Napětí baterie je nízké.	Nabijte baterii. Další informace naleznete v části <i>Nabití baterie na strani 59</i> .
Chybová kontrolka LED bliká.	Baterie je slabá.	Nabijte baterii. Další informace naleznete v části <i>Nabití baterie na strani 59</i> .
	Teplota v pracovním prostředí je příliš vysoká nebo nízká.	Baterii použijte při teplotě –10 °C až 40 °C.
	Přepětí.	Zkontrolujte, zda napětí elektrické sítě odpovídá napětí uvedenému na typovém štítku výrobku.  Vyměňte baterii z nabíječky. Počkejte 5 sekund a zkuste baterii znovu nabít. Pokud potíže přetrvávají, obraťte se na schváleného servisního pracovníka.

Kontrolka LED na baterii	Příčina	Řešení
Chybová kontrolka LED svítí.	Příliš velký rozdíl napětí článku (1 V).	Obrat'te se na schváleného servisního pracovníka.

## Nabíječka baterií

Kontrolka LED na nabíječce baterií	Příčina	Řešení
Chybová kontrolka LED bliká.	Teplota v pracovním prostředí je příliš vysoká nebo nízká.	Nabíječku baterií používejte při teplotě 5 °C až 40 °C.
Chybová kontrolka LED svítí.		Obrat'te se na schváleného servisního pracovníka.

## Ovládací panel

V případě potíží, které nejsou v této části uvedeny, se obraťte na servisního pracovníka.

Klávesnice	Chybový kód (počet bliknutí)	Možné závady	Možná akce
Bliká chybová kontrolka LED	3	Motor je přehřátý	Zvyšte výšku sečení. Viz <i>Nastavení výšky sečení na strani 58</i> .
	5	Otáčky motoru klesnou příliš nízkou a motor se zastaví	
	10	Došlo k přehřátí ovládání motoru	Zastavte motor a počkejte, než vychladne.
	2	Nůž je zablokovaný	Neúmyslnému spuštění můžete zabránit tím, že otočíte bezpečnostní klíček do polohy 0, vyjmete baterii a počkáte alespoň 5 sekund. Zkontrolujte, zda se nůž může volně otáčet. Pokud potíže přetrvávají, obraťte se na autorizovaného servisního pracovníka.
	9	Chyba baterie nebo žádný signál z baterie	Vložte správně baterii do výrobku a zkontrolujte konektor baterie. Pokud kontrolka LED na baterii bliká, přečtěte si část <i>Baterie na strani 58</i> .
Výrobek se vypíná	8	Baterie je slabá	Nabijte baterii. Viz <i>Nabití baterie na strani 59</i> .
	0	Selhání konektoru baterie	Zkontrolujte konektor baterie.



# Přeprava, skladování a likvidace

## Úvod



**VÝSTRAHA:** Neúmyslnému spuštění během přepravy můžete zabránit tím, že otočíte bezpečnostní klíček do polohy „0“, vyjmete baterii a počkáte alespoň 5 sekund.

## Přeprava

- Na dodané Li-ion baterie se vztahují požadavky legislativy o nebezpečném zboží.
- Při komerční přepravě musí být dodrženy speciální požadavky na balení a označení.
- Při přípravě výrobku k přepravě nezapomeňte dbát předpisů pro nebezpečné materiály. Mohou platit místní předpisy.
- Při přepravě vždy vyjměte baterii.
- Přeplepte konektory baterie páskou a zajistěte, aby se baterie při přepravě nemohla pohybovat.
- Během přepravy výrobek zajistěte.

## Skladování

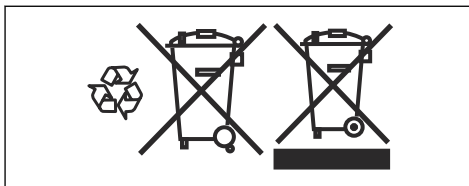
- Při skladování baterii vždy vyjmějte.
- Abyste zabránili nehodám, zajistěte, aby při skladování nebyla baterie připojena k výrobku.
- Nabíječku baterií uchovávejte na uzavřeném a suchém místě.
- Baterii a nabíječku baterií uchovávejte na suchém místě, kde nehrozí vlhkost či mraz.
- Při skladování baterii odpojte od nabíječky baterií.
- Neskladujte baterii v místech, kde může docházet k výbojům statické elektřiny. Neskladujte baterii v kovovém obalu.
- Baterii uchovávejte na místě s teplotou mezi 5 °C a 25 °C a mimo dosah slunečních paprsků.

- Nabíječku baterií uchovávejte na místě s teplotou mezi 5 °C a 45 °C a mimo dosah slunečních paprsků.
- Ujistěte se, že je baterie před dlouhodobým uskladněním nabitá na 30 % až 50 %.
- Produkt, baterii a nabíječku baterií skladujte v uzamčeném prostoru mimo dosah dětí a nepovolaných osob.
- Před dlouhodobým skladováním výrobku jej vyčistěte a proveďte kompletní údržbu.

## Likvidace

Symbols na produktu nebo jeho obalu označují, že tento výrobek nesmí být likvidován jako domácí odpad. Musí být odevzdán do příslušné recyklační stanice pro recyklaci elektrických a elektronických zařízení.

Zajištěním odpovídající likvidace tohoto výrobku pomůžete zabránit potenciálnímu negativnímu dopadu na životní prostředí a zdraví lidí, který by jinak mohl být důsledkem nesprávné likvidace tohoto výrobku. Podrobnější informace o recyklaci tohoto výrobku získáte na městském úřadě, u služby zajišťující zpracování domácího odpadu nebo v prodejně, kde jste výrobek zakoupili.



## Technické údaje

	LB 146i
<b>Motor žacího systému</b>	
Typ motoru	BLDC (bezkontaktní) 36V
Otáčky motoru – SavE, ot/min	2600
Otáčky motoru – jmenovité, ot/min	3000
Otáčky motoru – vysoké zatížení, ot/min	3500
Výkon motoru – max., kW	1,05
Výkon motoru – jmenovitý, kW	0,9

	<b>LB 146i</b>
Limit nadproudu (Limit proudu: 900W-27A)	27 (+/-) 1A
<b>Hmotnost</b>	
Hmotnost bez baterie, kg	16,9
<b>Baterie<sup>9</sup></b>	
Typ baterie	Řada baterií Husqvarna
<b>Doba provozu baterie</b>	
Provozní doba baterie, min. (volný chod) s aktivovanou funkcí SavE, s jednou baterií Husqvarna 5,2 Ah (BLi200).	77
Provozní doba baterie, min. (volný chod) s aktivovaným standardním režimem, s jednou baterií Husqvarna 5,2 Ah (BLi200).	45
<b>Emise hluku<sup>10</sup></b>	
Hladina akustického výkonu, změřená dB (A)	90
Hladina akustického výkonu, zaručená L <sub>WA</sub> dB (A)	91
<b>Hladiny hluku<sup>11</sup></b>	
Hladina akustického tlaku na sluch obsluhy, dB (A)	79
<b>Úrovně vibrací<sup>12</sup></b>	
Rukojeť, m/s <sup>2</sup>	0,9
<b>Žací ústrojí</b>	
Výška sečení, mm	35–70 mm
Šířka sečení, cm	46
Kotouč	BioClip
Objednávací číslo	5947022-10

Schválené baterie	Typ	Kapacita baterie, Ah	Napětí, V	Hmotnost, kg
BLi20	Lithium-iontová	4,0	36	1,2
BLi200	Lithium-iontová	5,2	36	2,8/1,3
BLi300	Lithium-iontová	9,4	36	1,9

<sup>9</sup> Pro dosažení nejlepších výsledků a výkonu se doporučuje použít baterii Husqvarna BLi200.

<sup>10</sup> Emise hluku v životním prostředí měřené jako akustický výkon (L<sub>WA</sub>) v souladu se směrnici 2000/14/EU.

<sup>11</sup> Uváděná data pro hladinu tlaku zvuku mají typickou statistickou odchylku (standardní odchylku) 1,2 dB (A).

<sup>12</sup> Uváděná data o úrovni vibrací mají typickou statistickou odchylku (standardní odchylku) 0,2 m/s<sup>2</sup>. Norma vibrací EN 60335-2-77:2017 kapitola 20.105

Schválené nabíječky pro uvedené baterie, BLi	Vstupní napětí, V	Frekvence, Hz	Výkon, W
QC80	100–240	50–60	100
QC80F	10–15	Není k dispozici	95
QC330	100–240	50–60	330
QC500	100–240	50–60	500
40-C80	100–240	50–60	68,8

---

# ES Prohlášení o shodě

---

## ES Prohlášení o shodě

**Husqvarna AB**, SE-561 82 Huskvarna, Švédsko, tel:

+46-36-146500, prohlašuje, že **sekačka na trávu**

**Husqvarna LB 146i** vyrobená v roce 2021 a později  
splňuje požadavky SMĚRNICE RADY:

- z 8. června 2011 o „omezení používání některých nebezpečných látek“ **2011/65/EU**
- ze 17. května 2006 „týkající se strojních zařízení“ **2006/42/ES**
- z 26. února 2014 „týkající se elektromagnetické kompatibility“ **2014/30/EU**,
- z 8. května 2000 „týkající se emisí hluku v okolním prostředí“ **2000/14/ES**.

Informace o emisích hluku najdete v kapitole "Technické údaje".

Byly uplatněny následující normy:

**EN 60335-1:2012+A11:2014+A13:2017, EN 60335-2-77:2010, EN 62233:2008, EN 55014-1:2017+A11:2020, EN 55014-2:2015, EN IEC 63000:2018**

Není-li uvedeno jinak, platí výše uvedené normy v poslední vydané verzi.

Oznámený subjekt: **0404, RISE SMP Svensk Maskinprovning AB, Box 7035, SE-750 07 Uppsala**  
provedl vyhodnocení shody podle přílohy VI směrnice 2000/14/ES.

Huskvarna, 2021-10-30



Claes Losdal, Development Manager/Garden Products  
(ředitel vývoje zahradního sortimentu) (Autorizovaný  
zástupce společnosti Husqvarna AB a osoba odpovědná  
za technickou dokumentaci.)

## Indhold

Indledning.....	69	Fejlfinding.....	85
Sikkerhed.....	72	Transport, opbevaring og bortskaffelse.....	86
Montering.....	79	Tekniske data.....	87
Drift.....	80	EU-overensstemmelseserklæring.....	90
Vedligeholdelse.....	83		

## Indledning

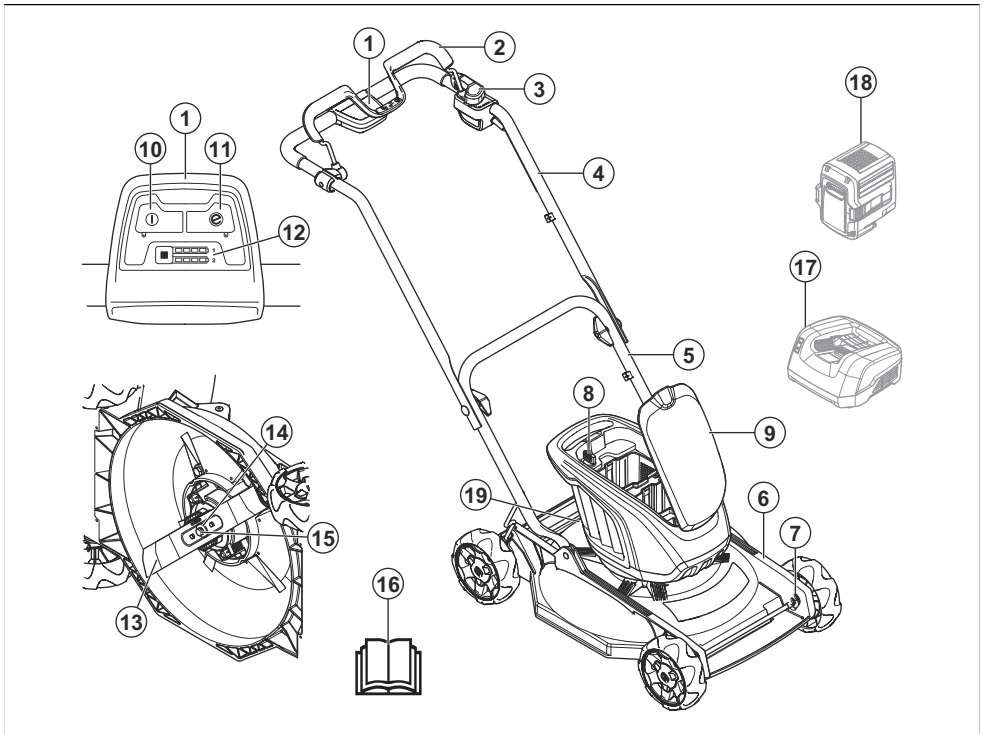
### Produktbeskrivelse

Produktet er en roterende plæneklipper med gående fører, der anvender BioClip til at klippe græsset til gødning.

### Anvendelsesformål

Brug produktet til at slå græs. Brug ikke produktet til andre opgaver.

### Produktoversigt



- |                         |   |
|-------------------------|---|
| 1. Betjeningspanel      | 8. Sikkerhedsnøgle                            |
| 2. Motorbremsehåndtag   | 9. Batteridæksel                              |
| 3. Startspærre          | 10. ON/OFF-knap                               |
| 4. Øvre del af styret   | 11. SavE-knap                                 |
| 5. Nederste håndtag     | 12. Batteriopladningsindikator og batteriknap |
| 6. Klippeskjold         | 13. Klinge                                    |
| 7. Klippehøjdejustering | 14. Fjederskive                               |

15. Klingebolt
16. Brugsanvisning
17. Batterioplader (tilbehør)
18. Batteri (tilbehør)
19. Typeskilt med QR-kode

## Symboler på produktet



Advarsel: Skødesløs eller forkert brug kan medføre personskade eller dødsfald for føreren eller andre.



Læs brugsanvisningen omhyggeligt igennem, og sørg for at have forstået instruktionerne, inden du bruger produktet.



Hold uvedkommende personer og dyr på sikker afstand af arbejdsstedet.



Pas på udslyngede genstande og rikochettering.



Advarsel: Hold hænder og fødder på sikker afstand af den roterende klinge.



Advarsel: Hold hænder og fødder på sikker afstand af bevægelige dele.



Fjern sikkerhedsnøglen, inden du udfører reparationsarbejde eller vedligeholdelse.



Må ikke udsættes for regn



Produktet og produktemballagen er ikke almindeligt husholdningsaffald. Aflever det på en genbrugsstation til elektrisk og elektronisk udstyr.



Produktet er i overensstemmelse med de gældende EF-direktiver.



Produktet er i overensstemmelse med de gældende Eurasian Customs Union-direktiver.



Produktet er i overensstemmelse med de gældende UkrSEPRO-direktiver.



Produktet er i overensstemmelse med de gældende RCM-direktiver. Gælder kun i AU/NZ



Støjmissioner til omgivelserne i henhold til EF-direktiv.

Produktets emission fremgår af kapitlet Tekniske data og af mærkatene.

## IPX1 IPX1 - drybeskyttet



Startprocedure:  
Tryk på ON/  
OFF-knappen,  
løs startspærren, tryk motorbremsehåndtaget ned.



Slip motorbremsehåndtaget for at stoppe.

---

**Bemærk:** Andre symboler/mærkatene på produktet henviser til certificeringskrav på visse markeder.

---

## Mærkat på produktet



FARE – Hold hænder og fødder væk.

## Produktansvar

Som nævnt i produktansvarsbestemmelserne hæfter vi ikke for skader forårsaget af vores produkt, hvis:

- produktet er forkert repareret.
- produktet er repareret med dele, der ikke er fra producenten eller ikke er godkendt af producenten
- produktet har tilbehør, der ikke er fra producenten eller ikke er godkendt af producenten.
- produktet ikke er repareret på et godkendt servicecenter eller af en godkendt myndighed.

---

## Sikkerhed

---

### Sikkerhedsdefinitioner

Advarsler, forholdsregler og bemærkninger bruges til at pege på særligt vigtige dele af brugsanvisningen.



**ADVARSEL:** Bruges, hvis føreren udsætter sig selv eller omkringstående personer for risiko for personskade eller dødsfald ved tilsidesættelse af instruktionerne i brugsanvisningen.



**BEMÆRK:** Bruges, hvis der er risiko for skader på produktet, andre materialer eller det omgivende område ved tilsidesættelse af instruktionerne i brugsanvisningen.

---

**Bemærk:** Bruges til at give yderligere oplysninger, der er nødvendige i en given situation.

---

### Generelle sikkerhedsinstruktioner

---



**ADVARSEL:** Læs følgende advarselsinstruktioner, inden du bruger produktet.

- 
- Dette produkt er farligt, hvis det bruges forkert, eller hvis du ikke er forsigtig. Personskade eller dødsfald kan forekomme, hvis du ikke overholder sikkerhedsinstruktionerne.
  - Dette produkt danner et elektromagnetisk felt under drift. Dette felt kan i nogle tilfælde påvirke aktive eller passive medicinske implantater. For at reducere risikoen for alvorlige eller dødbringende kvæstelser anbefaler vi, at personer med medicinske implantater kontakter deres læge og producenten af det medicinske implantat, før de tager produktet i brug.
  - Vær altid forsigtig, og brug din sunde fornuft. Hvis du ikke er sikker på, hvordan produktet betjenes en særlig situation:



Stop, og kontakt Husqvarna forhandleren, inden du fortsætter.

- Vær opmærksom på, at føreren er ansvarlig for ulykker, der involverer andre personer eller disses ejendom.
- Hold produktet rent. Sørg for, at skilte og mærkater er tydeligt læsbare.
- Lad aldrig børn eller personer, der ikke kender apparatet, bruge det. Der kan være lokale regler, for hvor gammel brugeren skal være
- Hold altid øje med personer med nedsat fysisk eller mental kapacitet, der bruger produktet. En voksen skal være til stede hele tiden.
- Brug ikke produktet, hvis du er træt, syg eller påvirket af alkohol, narkotika eller medicin. Det har en negativ virkning på synet, overblikket, koordinationsevnen og dømmekraften.
- Brug ikke produktet, hvis det er fejlbehæftet.
- Foretag ikke ændringer på produktet, og undlad at bruge det, hvis der er risiko for, at det er blevet ændret af andre.

## Sikkerhed i arbejdsområdet

---



**ADVARSEL:** Læs følgende advarselsinstruktioner, inden du bruger produktet.

---

- Fjern genstande såsom grene, kviste og sten fra arbejdsområdet, inden du bruger produktet.
- Genstande, som rammer skæreudstyret, kan udslynges og forårsage person- og tingskade. Hold omkringstående personer og dyr på sikker afstand af produktet.
- Undlad at bruge produktet i dårligt vejr, som f.eks. tåge, regn, hård vind, kraftig kulde og ved risiko for lynnedslag. Det kan være trættende at bruge produktet i dårligt vejr eller i fugtige eller våde områder. Dårligt vejr kan medføre farlige forhold, f.eks. glatte underlag.
- Pas på personer, genstande og situationer, som kan forhindre sikker brug af produktet.
- Pas på forhindringer som f.eks. rødder, sten, kviste,

- huller og grøfter. Langt græs kan skjule hindringer.
- Det kan være farligt at klippe græs på skråninger. Slå ikke græsset på meget stejle skråninger. Brug ikke produktet på skråninger, der hælder mere end 15°.
  - Udvis den yderste forsigtighed ved ændring af retning på skråninger. Lad produktet køre på tværs af skråninger. Kørs ikke op og ned.
  - Vær forsigtig, når du nærmer dig uoverskuelige hjørner og genstande, som blokerer for udsynet.

## Arbejdssikkerhed

---



**ADVARSEL:** Læs følgende advarselsinstruktioner, inden du bruger produktet.

---

- Brug kun produktet til græsslåning. Det er ikke tilladt at bruge det til andre opgaver.
- Bær personligt beskyttelsesudstyr. Se *Personligt beskyttelsesudstyr på side 75*.
- Sørg for, at du ved, hvordan du standser motoren hurtigt i nødstilfælde.
- Betjen ikke produktet i regn eller våde omgivelser. Risikoen for elektriske stød øges, hvis der trænger vand ind i produktet.
- Betjen ikke produktet, medmindre klingens og alle afskærmninger er monteret korrekt. En forkert monteret klinge kan løsne sig og forårsage personskade.
- Sørg for, at klingens ikke rammer genstande som f.eks. sten og rødder. Det kan beskadige klingens og bøje motorakslen. En bøjet aksel giver kraftige vibrationer og stor risiko for, at kniven løsner sig.
- Hvis kniven rammer en genstand, eller der opstår vibrationer, skal du straks standse produktet. Stands motoren, drej sikkerhedsnøglen til 0, og afmonter batteriet. Undersøg, om produktet er blevet beskadiget. Reparer skader, eller lad et autoriseret serviceværksted udføre reparationen.
- Fastgør aldrig motorbremsehåndtaget permanent på styret, når motoren er startet.

- Anbring produktet på et stabilt, fladt underlag, og start det. Sørg for, at kniven ikke rammer jorden eller andre genstande.
- Hold dig altid bag produktet, mens du betjener det.
- Lad alle hjulene blive på jorden, og hold 2 hænder på styret, når du betjener produktet. Hold hænder og fødder på sikker afstand af de roterende klinger.
- Tip ikke produktet, når motoren er startet.
- Vær forsigtig, når du trækker produktet baglæns.
- Løft aldrig produktet, når motoren er startet. Hvis du skal løfte produktet, skal du først stoppe motoren, dreje sikkerhedsnøglen til 0 og afmontere batteriet.
- Gå ikke baglæns, når du bruger produktet.
- Stands motoren, når du bevæger dig hen over områder uden græs, f.eks. stier med grus, sten og asfalt.
- Undlad at køre med produktet, når motoren er startet. Gå altid fremad, når du bruger produktet.
- Stands motoren, inden du ændrer klippehøjden. Foretag

aldrig justeringer, når motoren er startet.

- Efterlad aldrig produktet uden opsyn, når motoren er startet. Stands motoren, og sørg for, at skæreudstyret ikke roterer.

#### Sikkerhedsinstruktioner for drift

### Personligt beskyttelsesudstyr

---



**ADVARSEL:** Læs følgende advarselsinstruktioner, inden du bruger produktet.

---

- Personligt beskyttelsesudstyr udelukker ikke fuldstændigt risikoen for personskader, men det mindsker graden af skaderne i tilfælde af, at der skulle ske en ulykke. Lad forhandleren hjælpe dig med at vælge det rigtige udstyr.
- Brug kraftige, skridsikre støvler eller sko. Brug ikke åbne sko, og gå heller ikke på bare fødder.
- Brug kraftige, lange bukser.
- Brug om nødvendigt beskytteshandsker, f.eks. ved montering, eftersyn eller rengøring af skæreudstyret.

#### Sikkerhedsanordninger på produktet

---



**ADVARSEL:** Læs følgende advarselsinstruktioner, inden du bruger produktet.

---

- Brug ikke et produkt med defekte sikkerhedsanordninger.
- Kontrollér sikkerhedsanordningerne regelmæssigt. Hvis sikkerhedsanordningerne er defekte, skal du henvende dig til dit Husqvarna-serviceværksted.

### Sådan kontrolleres klippeskjoldet

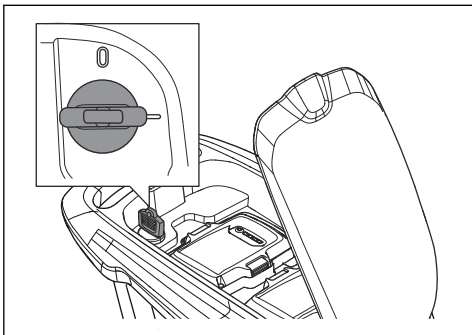
Klippeskjoldet mindsker vibrationer i produktet og reducerer risikoen for skader fra klingens.

- Undersøg klippeskjoldet for at sikre, at der ikke er skader såsom revner.

### Sikkerhedsnøgle

Sikkerhedsnøglen er under batterilåget. Sikkerhedsnøglen forbinder det batteri, der forsyner motoren med strøm.

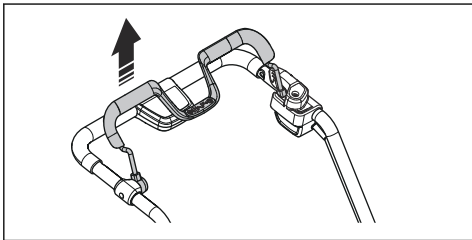
- Start og stop motoren for at kontrollere sikkerhedsnøglen.
- Hvis sikkerhedsnøglen fungerer korrekt, kan motoren kun starte, når nøglen er i position 1.



### Motorbremsehåndtag

Motorbremsehåndtaget standser motoren. Når motorbremsehåndtaget slippes, standser motoren.

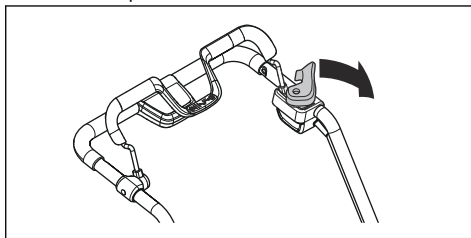
Ved kontrol af motorbremsen startes motoren, hvorefter motorbremsehåndtaget slippes. Hvis motoren ikke standser inden for 3 sekunder, skal et godkendt Husqvarna-serviceværksted justere motorbremsen.



### Sådan efterses startspærren

Efterse startspærren for at sikre, at den forhindrer drift af motoren.

1. Skub bøjlen til fremtrækket i retning mod styret. Startspærren standser bevægelsen.
2. Skub startspærren ud.



3. Slip startspærren, og sørg for, at den returnerer til udgangspositionen.

### Batterisikkerhed



**ADVARSEL:** Læs følgende advarselsinstruktioner, inden du bruger produktet.

- Brug kun genopladelige Husqvarna-batterier som strømforsyning til relaterede Husqvarna-produkter. For at undgå personskade, må batteriet ikke anvendes som strømforsyning til andre produkter.
- Undgå at bruge ikke-genopladelige batterier.
- Risiko for elektrisk stød. Tilslut ikke batteripolerne til nøgler, mønter, skruer eller andre metalgenstande. Dette kan medføre en kortslutning af batteriet.

- Sæt ikke genstande ind i batteriets luftspalte.
- Hold batteriet væk fra sollys, varme og åben ild. Batteriet kan eksplodere og medføre forbrændinger og/eller kemiske forbrændinger.
- Hold batteriet væk fra regn og våde omgivelser.
- Hold batteriet væk fra mikrobølger og højt tryk.
- Forsøg ikke at skille batteriet ad eller ødelægge det.
- Hvis batteriet lækker, skal du sørge for, at væsken ikke kommer i kontakt med hud eller øjne. Ved berøring af væsken skal området skylles med en stor mængde vand, og søg derefter lægehjælp.
- Brug batteriet i temperaturer mellem -10 °C og 40 °C.
- Batteriet eller batteriopladeren må aldrig rengøres med vand. Se *Sådan rengøres batteriet og batteriopladeren på side 84*.
- Brug ikke et defekt eller beskadiget batteri.
- Opbevar batterierne væk fra metalgenstande som f.eks. søm, mønter og smykker.

advarselsinstruktioner, inden du bruger produktet.

---

- Brug udelukkende QC-batteriopladerne til at oplade udskiftelige Husqvarna-batterier.
- Minimér risikoen for elektrisk stød eller kortslutning. Sæt ikke genstande ind i opladerens luftspalte. Forsøg aldrig at adskille batteriopladeren. Forbind ikke batteriopladerens poler med metalgenstande. Brug en godkendt stikkontakt.
- Dette produkt danner et elektromagnetisk felt under drift. Dette felt kan i nogle tilfælde påvirke aktive eller passive medicinske implantater. For at reducere risikoen for alvorlige eller dødbringende kvæstelser anbefaler vi, at personer med medicinske implantater kontakter deres læge og producenten af det medicinske implantat, før de tager produktet i brug.
- Undersøg regelmæssigt, at ledningen til batteriopladeren er intakt, og at der ikke er revner i den.

## Batteriopladersikkerhed

---



**ADVARSEL:** Læs følgende

- Løft aldrig batteriopladeren ved hjælp af ledningen. Træk stikket ud for at afbryde batteriopladeren fra stikkontakten. Træk ikke i ledningen.
- Hold strømledningen og forlængerledninger væk fra vand, olie og skarpe kanter. Sørg for, at ledningen ikke bliver klemt i døre, hegn eller lignende. Det kan medføre, at opladeren bliver strømførende.
- Batteriopladeren må aldrig rengøres med vand.
- Batteriopladeren kan bruges af børn fra 8 år og opad samt af personer med nedsatte fysiske, følelsesmæssige eller mentale evner eller manglede erfaring og viden, hvis de er under opsyn eller har modtaget træning i brugen af batteriopladeren på en sikker måde og forstår farerne, der er forbundet med brugen. Børn må ikke lege med batteriopladeren. Rengøring og vedligeholdelse må ikke udføres af børn uden overvågning.
- Ikke-genopladelige batterier må ikke oplades i batteriopladeren.
- Brug ikke batteriopladeren i nærheden af brandfarlige

materialer eller materialer, der kan medføre korrosion. Batteriopladeren må ikke tildækkes. I tilfælde af røgafgivelse eller brand skal batteriopladeren afbrydes fra stikkontakten.

- Brug ikke defekte eller beskadigede batteriopladere.
- Oplad kun batteriet indendørs i et rum med god ventilation og beskyttet mod direkte sollys. Oplad ikke batteriet under våde forhold.

## Sikkerhedsinstruktioner for vedligeholdelse

---



**ADVARSEL:** Læs følgende advarselsinstruktioner, inden du bruger produktet.

---

- For at undgå utilsigtet start i forbindelse med vedligeholdelse, skal du dreje sikkerhedsnøglen til 0 og fjerne batteriet. Vent i mindst 5 sekunder, før du påbegynder vedligeholdelse.
- Udfør vedligeholdelsesarbejde korrekt for at øge levetiden for produktet og mindske risikoen for ulykker. Lad et godkendt serviceværksted udføre professionelle reparationer.

Kontakt dit nærmeste serviceværksted for at få flere oplysninger.

- Foretag kun den form for vedligeholdelsesarbejde, der er angivet i denne brugsanvisning. Mere omfattende arbejde skal udføres af et godkendt serviceværksted.
- Ifør dig kraftige handsker, når du anvender skæreudstyret. Klingen er meget skarp, og du kan nemt komme til at skære dig.
- Hold klingerne skarpe og rene for at sikre den bedst mulige ydeevne.

- Lad jævnligt serviceværkstedet efterse produktet og foretage de nødvendige justeringer og reparationer.
- Udskift beskadigede, slidte eller defekte dele.
- Følg vejledningen for, hvordan du udskifter tilbehør. Brug kun tilbehør fra producenten.
- Når de ikke er i drift, skal du holde produktet, batteriet og batteriopladeren adskilt et tørt, indendørs og aflåst sted. Sørg for, at børn og personer, som ikke er godkendt, ikke kan få adgang til produktet, batteriet eller batteriopladeren.

---

## Montering

---

### Indledning

---



**ADVARSEL:** Før du samler produktet, skal du læse sikkerhedskapitlet.

---



**ADVARSEL:** For at undgå utilsigtet start under monteringen, skal du dreje sikkerhedsnøglen til 0, fjerne batteriet og vente i mindst 5 sekunder.

---

### Sådan samles styret

---



**BEMÆRK:** Drej ikke kablerne.

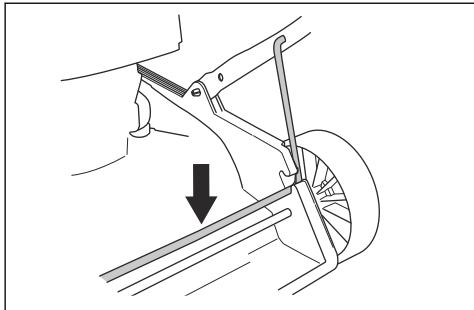
---

1. Anbring hullerne i det øverste gashåndtag ud for hullerne i det nederste håndtag.

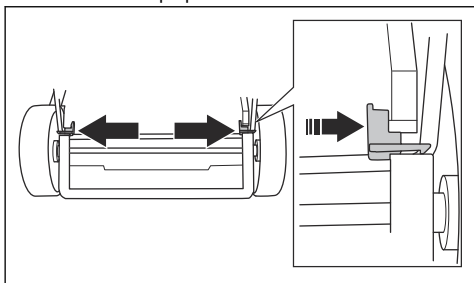
2. Spænd grebene på højre og venstre side helt, og fold håndtaget op.



3. Placér palen i rillen på klippeskjoldet.



4. Fastgør de 2 stop, der låser palen og håndtaget. Skub dem helt på plads.



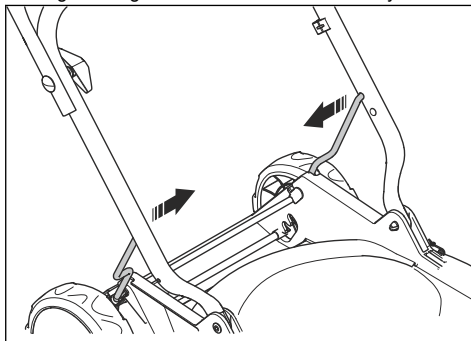
**Bemærk:** Der er to stop, et mærket med et H og et med et V. Sæt stoppet, der er mærket med et H på højre side og stoppet, der er mærket med et V på venstre side.



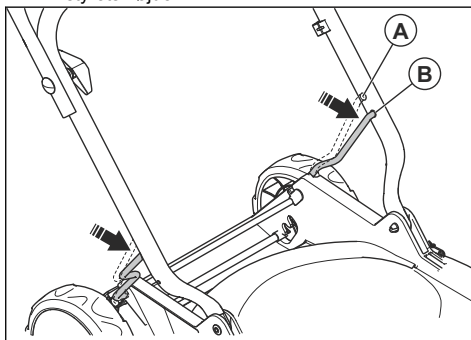
**BEMÆRK:** Betjen ikke produktet, hvis de 2 stop ikke er fastgjort.

## Sådan justeres styrets højde

1. Tag håndtaget ud af den nederste del af styret.



- Sæt håndtaget i øverste hul (A) for at sænke styrhøjden.
- Sæt håndtaget i nederste hul (B) for at hæve styrets højde.



## Drift

### Indledning



**ADVARSEL:** Før du bruger produktet, skal du læse og forstå kapitlet om sikkerhed.

### Husqvarna Connect

Husqvarna Connect er en gratis app til din mobile enhed. Appen Husqvarna Connect giver udvidede funktioner til dit Husqvarna produkt:

- Yderligere produktoplysninger.
- Oplysninger om, og hjælp til, dele og service.

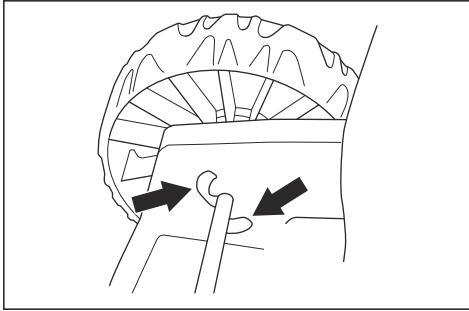
### Sådan kommer du i gang med at bruge Husqvarna Connect

- Download Husqvarna Connect appen på din mobile enhed.
- Tilmeld dig i Husqvarna Connect appen.
- Følg instruktionerne i Husqvarna Connect appen for at tilslutte og registrere produktet.



## Sådan indstilles klippehøjden

- Tryk akslen ud, og flyt det til den korrekte stilling for hver af de 4 hjul.



**BEMÆRK:** Indstil ikke klippehøjden for lavt. Knivene kan ramme jorden, hvis græsplænenes overflade ikke er jævn.

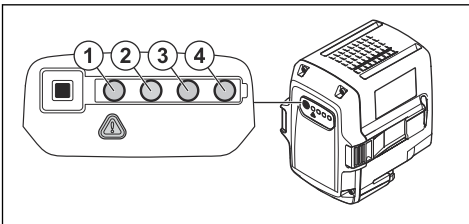
## Batteri



**ADVARSEL:** Inden brug af produktet skal du læse og sætte dig ind i kapitlet om sikkerhed. Du skal også læse og sætte dig ind i brugsanvisningen for batteriet og batteriopladeren.

## Batteristatus

Displayet viser batteriets resterende batterikapacitet, og om der er problemer med batteriet. Batterikapaciteten vises i 5 sekunder, efter at produktet er slukket, eller batteriindikatorknappen er trykket ned. Advarselssymbolet på batteriet er tændt, når der er sket en fejl. Se *Batteri på side 85*.



LED-lys	Batteristatus
Alle LED'er er tændt	Fuldt opladet (75-100 %)
LED 1, LED 2 og LED 3 er tændt	Batteriet er opladet 50-75 %
LED 1 og LED 2 er tændt	Batteriet er opladet 25-50 %

LED-lys	Batteristatus
LED 1 er tændt	Batteriet er opladet 0-25 %.
LED 1 blinker	Batteriet er afladet. Oplad batteriet.

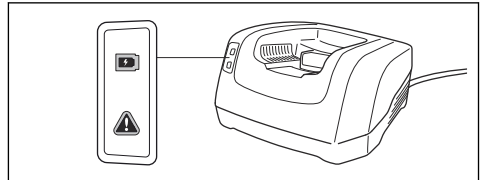
## Sådan oplades batteriet

Oplad batteriet, inden første ibrugtagning. Batteriet er kun 30 % opladet, når det leveres til kunden.

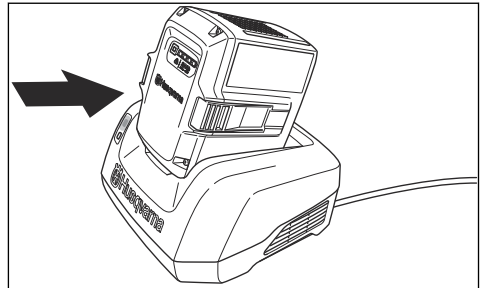
**Bemærk:** Batteriopladeren skal tilsluttes til den spænding og frekvens, der fremgår af typeskiltet.

Batteriet oplades ikke, hvis batteriets temperatur er over 50 °C. Batteriopladeren sænker batteriets temperatur, før det begynder at oplade.

- Forbind den ene ende af ledningen til batteriopladeren til stikket på batteriopladeren.
- Forbind den anden ende af ledningen til batteriopladeren til en jordet stikkontakt. LED'en på batteriopladeren blinker grønt én gang.



- Isæt batteriet i batteriopladeren. Den grønne lampe på opladeren lyser, når batteriet er korrekt forbundet med batteriopladeren.



- Når alle LED'erne på batteriet er tændt, er batteriet fuldt opladet. Oplad batteriet i maks. 24 timer.
- For at afbryde batteriopladeren fra stikkontakten, skal du trække i stikket, ikke i ledningen.
- Fjern batteriet fra batteriopladeren.

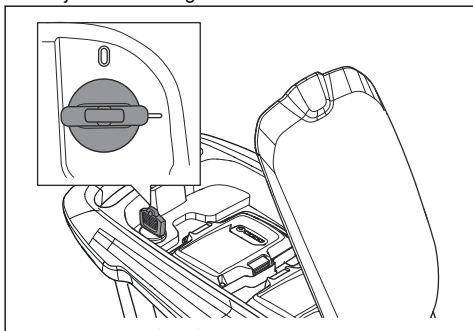
## Batteriets ladestatus

Et Husqvarna Li-ion-batteri kan oplades eller bruges på alle opladningsniveauer. Batteriet er ikke beskadiget. Et fuldt opladet batteri vil ikke aflades, når batteriet efterlades i opladeren.

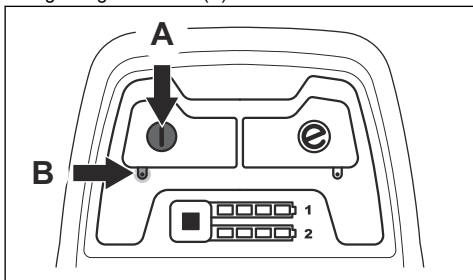
LED-display	Ladestatus
LED 1 blinker	0 %-25 %
LED 1 er tændt, LED 2 blinker	25 %-50 %
LED 1, LED 2 er tændt, LED 3 blinker	50 %-75 %
LED 1, LED 2, LED 3 er tændt, LED 4 blinker	75 %-100 %
LED 1, LED 2, LED 3, LED 4 er tændt	Fuldt opladet

## Sådan startes produktet

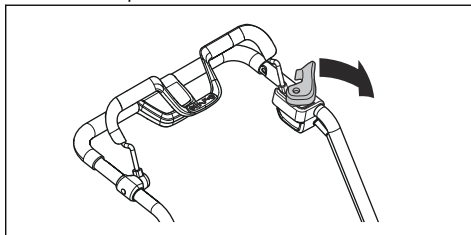
1. Isæt et opladet batteri i batteri nummer 1 under batterilåget. For længere driftstid, skal du isætte et andet opladet batteri i batterirum nummer 2.
2. Drej sikkerhedsnøglen til 1.



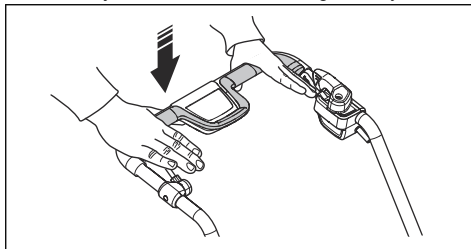
3. Stil dig bag produktet.
4. Tryk på ON/OFF-knappen (A) på betjeningspanelet, og den grønne LED (B) tænder.



5. Løsn startspærren.



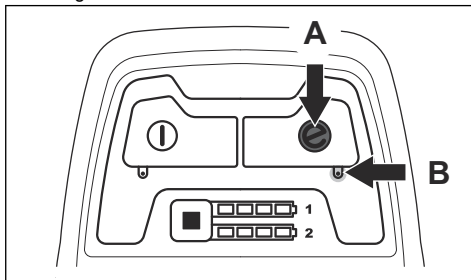
6. Skub bøjlen til fremtrækket i retning mod styret.



## Sådan bruges SavE-funktionen

Produktet har en batterisparefunktion (SavE), der giver længere driftstid.

1. Tryk på SavE-knappen (A) for at starte funktionen. Den grønne LED tænder.



2. Tryk på SavE-knappen igen for at standse funktionen. Den grønne LED (B) slukker.

SavE-funktionen standser automatisk, hvis terrænforholdene gør det nødvendigt at have en højere effekt. SavE-funktionen starter automatisk, når terrænforholdene gør det muligt.

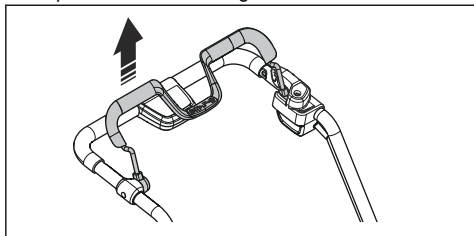
## Høj belastningsfunktion

Når produktet klipper langt eller vådt græs, øger motoren automatisk o/min. Motoren skifter tilbage til standardtilstand, når høj belastning ikke er nødvendigt.

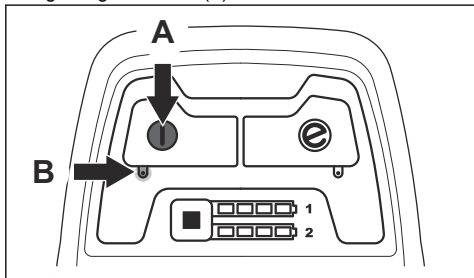
## Sådan standses produktet

Produktet standser automatisk, hvis du ikke betjener det i 10 minutter. Drej altid sikkerhedsnøglen til 0, før du efterlader produktet uden opsyn.

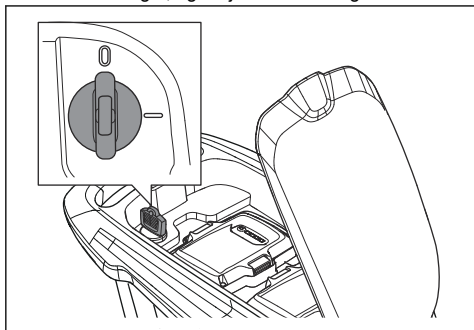
1. Slip motorbremsehåndtaget for at standse motoren.



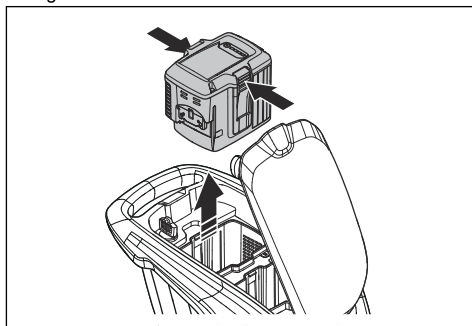
2. Tryk på ON/OFF-knappen (A) på betjeningspanelet, og den grønne LED (B) slukkes.



3. Åbn batterilåget, og drej sikkerhedsnøglen til 0.



4. Fjern batteriet ved at trykke på de to udløserknapper og trække batteriet ud.



5. Oplad batteriet, hvis det er svagt. Se *Sådan oplades batteriet på side 81* for yderligere information.

## Sådan opnår du et godt resultat

- Sørg altid for, at klingen er skarp. En sløv klinge giver et uregelmæssigt resultat, og græssets snitflade bliver gul. En skarp klinge bruger desuden mindre energi end en sløv klinge.
- Klip aldrig mere end  $\frac{1}{3}$  af græssets længde. Klip først med klippehøjden indstillet højt. Efterse resultatet, og sænk derefter klippehøjden til det ønskede niveau. Hvis græsset er meget højt, skal du køre langsomt og om nødvendigt klippe 2 gange.
- Klip i forskellige retninger hver gang for at undgå striber i græsplænen.
- Hold klippeafskærmningen ren. Ophobning af græs og snavs på indersiden af klippeafskærmningen kan forringe klipperesultatet. Se *Sådan rengøres produktet på side 84*.

## Vedligeholdelse

### Indledning



**ADVARSEL:** Inden der foretages vedligeholdelse, skal du læse og forstå kapitlet om sikkerhed.

Alt service- og reparationsarbejde på produktet kræver specialuddannelse. Vi garanterer faglig korrekt reparation og service. Hvis forhandleren ikke er et serviceværksted, kan vedkommende oplyse om nærmeste serviceværksted.

### Vedligeholdelsesskema

Vedligeholdelsesintervallerne er fastlagt baseret på daglig brug af produktet. Intervallerne ændres, hvis produktet ikke bruges dagligt.

For vedligeholdelse identificeret med \* henvises til vejledningen i *Sikkerhedsanordninger på produktet på side 75*.

	Hver brug	Månedligt	Hver sæson
Foretag et generelt eftersyn	X		
Rengør produktet	X		
Kontrollér startspærren *	X		
Sørg for, at sikkerhedsanordningerne på produktet ikke er defekte *	X		
Efterse skæreudstyret	X		
Efterse klippeskjoldet *	X		
Kontrollér motorbremsehåndtaget *	X		
Sørg for, at ON/OFF-knappen fungerer korrekt og ikke er defekt	X		
Efterse batteriet for skader	X		
Kontrollér batteriopladeren	X		
Sørg for, at udløserknapperne på batteriet fungerer korrekt, og at batteriet låses på plads i produktet	X		
Efterse batteriopladeren for skader, og sørg for, at den fungerer korrekt.		X	
Efterse forbindelserne mellem batteriet og produktet. Efterse også forbindelsen mellem batteriet og batteriopladeren.			X

## Sådan udføres et generelt eftersyn

- Sørg for, at møtrikker og skruer på produktet er spændt.
- Sørg for, at ledningerne på produktet ikke er placeret på en måde, så de kan blive beskadiget.

## Sådan rengøres produktet

- Rengør plasticdele med en ren og tør klud.
- Brug ikke vand til rengøring af produktet. Vand kan trænge ind i batteriet eller motoren og forårsage kortslutning eller beskadigelse af produktet.
- Brug ikke en højtryksrens til at rengøre produktet.
- Sprøjt aldrig vand direkte på motoren.
- Brug en børste til at fjerne blade, græs og snavs.

## Sådan rengøres batteriet og batteriopladeren



**ADVARSEL:** Batteriet eller batteriopladeren må aldrig rengøres med vand.

- Sørg for, at batteriet og opladeren er rene og tørre, før du sætter batteriet i batteriopladeren.
- Rengør batteriets poler med trykluft eller med en blød og tør klud.
- Rens overfladerne på batteriet og batteriopladeren med en blød og tør klud.

## Sådan efterses skæreudstyret



**ADVARSEL:** For at undgå utilsigtet start, skal du dreje sikkerhedsnøglen til 0, fjerne batteriet og vente i mindst 5 sekunder.



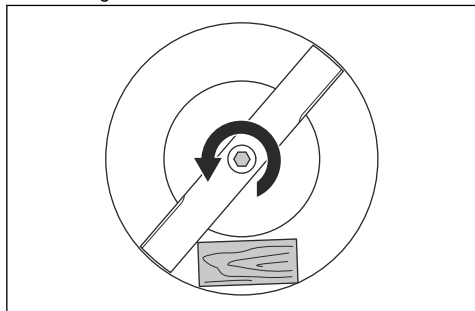
**ADVARSEL:** Brug handsker, når du udfører vedligeholdelse på skæreudstyret. Klingens er meget skarp, og du kan nemt komme til at skære dig.

1. Efterse skæreudstyret for skader eller revner. Udskift altid skæreudstyret, hvis det er beskadiget.
2. Kig på klingens for at se, om den er beskadiget eller sløv.

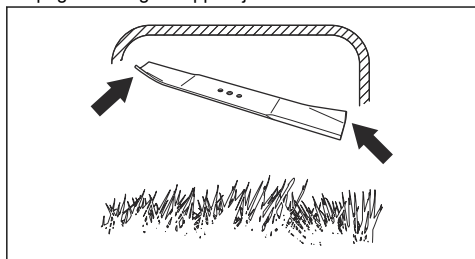
**Bemærk:** Kniven skal afbalanceres, efter den er blevet slebet. Lad et servicecenter skærpe, udskift og afbalancere klingens. Hvis du rammer en forhindring, der får produktet til at standse, udskiftes den beskadigede klinge. Lad servicecenteret vurdere, om klingens kan files, eller om den skal udskiftes.

## Sådan udskiftes klingen

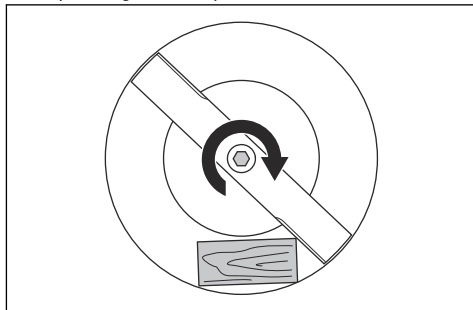
1. Lås klingen med en træklods.



2. Fjern klingeboltens.
3. Afmonter klingens.
4. Efterse klingeophæng og klingebolt for at se, om der er skader.
5. Efterse motorakslens for at sikre, at den ikke er bøjet.
6. Når du sætter den nye klinge på, skal klingens ender pege i retning af klippeskjoldet.



7. Sørg for, at klingens flugt med motorakslens centrum.
8. Lås klingens med en træklods. Monter fjederskiven, og spænd boltens og skiven med et tilspændingsmoment på 23–28 Nm.



9. Træk klingens rundt pr. håndkraft, og kontrollér, at den drejer frit.



**ADVARSEL:** Brug sikkerhedshandsker. Klingens er meget skarp, og du kan nemt komme til at skære dig.

10. Start produktet for at afprøve klingens. Hvis skiven ikke er korrekt fastgjort, forekommer der vibrationer i produktet, eller klipperesultatet bliver utilfredsstillende.

## Fejlfinding

### Batteri

LED på batteriet	Årsag	Løsning
Den grønne LED blinker.	Batterispændingen er lav.	Oplad batteriet. Se <i>Sådan oplades batteriet på side 81</i> .
Fejl-LED'en blinker.	Batteriet er svagt.	Oplad batteriet. Se <i>Sådan oplades batteriet på side 81</i> .
	Temperaturen i arbejdsmiljøet er for høj eller for lav.	Brug batteriet i temperaturer mellem -10 °C og 40 °C.
	Overspænding.	Sørg for, at netspændingen er den samme som på typeskiltet på produktet.  Fjern batteriet fra batteriopladeren. Vent 5 sekunder, og prøv igen for at oplade batteriet. Hvis problemet fortsætter, skal du kontakte et autoriseret serviceværksted.

LED på batteriet	Årsag	Løsning
Fejl-LED'en er tændt.	Celleforskellen er for stor (1 V).	Kontakt et godkendt serviceværksted.

## Batterioplader

LED på batteriopladeren.	Årsag	Løsning
Fejl-LED'en blinker.	Temperaturen i arbejdsmiljøet er for høj eller for lav.	Brug batteriopladeren i temperaturer mellem 5 °C og 40 °C.
Fejl-LED'en er tændt.		Kontakt et godkendt serviceværksted.

## Betjeningspanel

Kontakt dit serviceværksted ved problemer, der ikke er omfattet af dette afsnit.

Tastatur	Fejlkode (antal blink)	Mulige fejl	Mulig løsning
Fejl-LED blinker	3	Motoren er overbelastet	Øg klippehøjden. Se <i>Sådan indstilles klippehøjden på side 81</i> .
	5	Motoromdrejningstallet falder for meget, og motoren standser	
	10	Kontrolenheden til motoren er for varm	Stand motoren, og vent, indtil den er blevet kold
	2	Klingen er blokeret	For at undgå utilsigtet start, skal du dreje sikkerhedsnøglen til 0, fjerne batteriet og vente i mindst 5 sekunder. Kontrollér, at klingen kan rotere frit. Hvis problemet fortsætter, skal du kontakte et autoriseret serviceværksted
	9	Batterifejl eller intet signal fra batteri	Isæt batteriet korrekt i produktet, og efterse batteristikket. Se <i>Batteri på side 81</i> , hvis fejl-LED'en på batteriet blinker.
Produktet standser	8	Batteriet er svagt	Oplad batteriet. Se <i>Sådan oplades batteriet på side 81</i> .
	0	Fejl ved batteristik	Efterse batteristikket

## Transport, opbevaring og bortskaffelse

### Indledning



**ADVARSEL:** For at undgå utilsigtet start under transport, skal du dreje sikkerhedsnøglen til 0, fjerne batteriet og vente i mindst 5 sekunder.

### Transport

- Lovkravene om farligt gods gælder for de indeholdte li-ion-batterier.
- Ved kommerciel transport skal særlige krav vedrørende emballering og mærkning overholdes.

- Sørg for at overholde bestemmelserne for farligt materiale, når du klargør produktet til transport. Lokale bestemmelser kan være gældende.
- Fjern altid batteriet ved transport.
- Sæt tape på batteristikkene, og sørg for, at batteriet ikke kan rykke sig under transporten.
- Fastspænd produktet under transport.

## Opbevaring

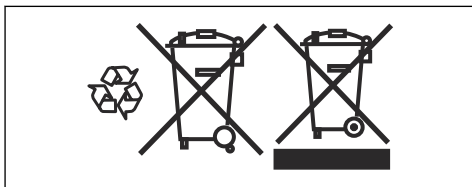
- Fjern altid batteriet ved opbevaring.
- For at forhindre ulykker, skal du sørge for, at batteriet ikke er tilsluttet produktet under opbevaring.
- Opbevar batteriopladeren et lukket og tørt sted.
- Opbevar batteriet og batteriopladeren et tørt sted, hvor der ikke er fugt eller frost.
- Afbryd forbindelsen mellem batteriet og batteriopladeren under opbevaring.
- Batteriet må ikke opbevares, hvor der kan forekomme statisk elektricitet. Opbevar ikke batteriet i en metalkasse.
- Opbevar batteriet ved temperaturer mellem 5 °C og 25 °C og væk fra sollys.
- Opbevar batteriopladerne ved temperaturer mellem 5 °C og 45°C og væk fra sollys.
- Sørg for, at batteriet er ladet op til 30 % - 50 %, før du sætter det til opbevaring i længere tid.
- Opbevar produktet, batteriet og batteriopladeren et låst sted, der er utilgængeligt for børn og ikke-godkendte personer.

- Rengør produktet, og udfør fuld service, før du sætter produktet til opbevaring i længere tid.

## Bortskaffelse

Symbolerne på produktet eller emballagen angiver, at produktet ikke må behandles som almindeligt husholdningsaffald. Det skal afleveres til en passende genbrugsstation med henblik på genvinding af elektrisk og elektronisk udstyr.

Hvis du sørger for, at dette produkt håndteres korrekt, kan du være med til at modvirke potentielle negative indvirkninger på mennesker og miljø, som ellers kan være et resultat af fejlagtig affaldshåndtering i forbindelse med dette produkt. Nærmere oplysninger om genanvendelse af dette produkt fås hos kommunen, det lokale renovationselskab eller forretningen, hvor produktet er købt.



## Tekniske data

	LB 146i
<b>Klippemotor</b>	
Motorstype	BLDC (børsteløs) 36 V
Motoromdrejningstal - SavE, o/min.	2600
Motoromdrejningstal - nominelt, o/min.	3000
Motoromdrejningstal - høj belastning, o/min.	3500
Motoreffekt - maks. kW	1,05
Motoreffekt - nominel, kW	0,9
Overstrømsgrænse (strømgrænse: 900W-27A)	27 (+/-) 1A
<b>Vægt</b>	
Vægt uden batteri, kg	16,9
<b>Batteri</b> <sup>13</sup>	
Batteritype	Husqvarna Batteriserie

<sup>13</sup> For de bedste resultater og ydelse anbefales Husqvarna-batteriet BLi200.

	<b>LB 146i</b>
<b>Batteriets driftstid</b>	
Batteriets driftstid, min. (friløb) med SavE aktiveret, med et 5,2 Ah Husqvarna-batteri (BLi200).	77
Batteriets driftstid, min. (friløb) med standardtilstand aktiveret, med et 5,2 Ah Husqvarna-batteri (BLi200).	45
<b>Støjmissioner</b> <sup>14</sup>	
Lydeffektniveau, målt dB (A)	90
Lydeffektniveau, garanteret L <sub>WA</sub> dB (A)	91
<b>Lyd niveauer</b> <sup>15</sup>	
Lydtryksniveau ved brugerens øre, dB (A)	79
<b>Vibrationsniveauer</b> <sup>16</sup>	
Styr, m/s <sup>2</sup>	0,9
<b>Klippeudstyr</b>	
Klippehøjde, mm	35-70 mm
Klippebredde, cm	46
Kniv	BioClip
Vare-nr.	5947022-10

Godkendte batterier	Type	Batterikapacitet, Ah	Spænding, V	Vægt, lb/kg
BLi20	Lithiumion	4,0	36	2,6/1,2
BLi200	Lithiumion	5,2	36	2,8/1,3
BLi300	Lithiumion	9,4	36	4,2/1,9

Godkendte opladere til de angivne batterier, BLi	Indgangsspænding, V	Frekvens, Hz	Effekt, watt
QC80	100-240	50-60	100
QC80F	10-15	N/A	95
QC330	100-240	50-60	330
QC500	100-240	50-60	500

<sup>14</sup> Støjmissioner til omgivelserne målt som lydeffekt (L<sub>WA</sub>) i henhold til EF-direktiv 2000/14/EF.

<sup>15</sup> Rapporerede data for lydtryksniveau har en typisk statistisk spredning (standardafvigelse) på 1,2 dB (A).

<sup>16</sup> Rapporerede data for vibrationsniveau har en typisk statistisk spredning (standardafvigelse) på 0,2 m/s<sup>2</sup>. Vibrationstandard EN 60335-2-77:2017 kapitel 20.105



<b>Godkendte opladere til de angivne batterier, BLi</b>	<b>Indgangsspænding, V</b>	<b>Frekvens, Hz</b>	<b>Effekt, watt</b>
40-C80	100-240	50-60	68,8

---

# EU-overensstemmelseserklæring

---

## EU-overensstemmelseserklæring

**Husqvarna AB**, SE-561 82 Huskvarna, Sverige, tlf.:  
+46-36-146500 erklærer, at **plæneklipperen Husqvarna  
LB 146i** fra 2021 og fremefter overholder forskrifterne i  
RÅDETS DIREKTIV:

- af den 8. juni 2011 angående "begrænsning af  
anvendelsen af visse farlige stoffer" **2011/65/EU**
- af den 17. maj 2006 "angående maskiner"  
**2006/42/EF**
- af den 26. februar 2014 "angående elektromagnetisk  
kompatibilitet" **2014/30/EU**
- af den 8. maj 2000 "angående emission af støj til  
omgivelserne" **2000/14/EF**

Oplysninger om støjafgivelse findes i de tekniske  
specifikationer.

Der er anvendt følgende standarder:

**EN 60335-1:2012+A11:2014+A13:2017, EN  
60335-2-77:2010, EN 62233:2008, EN  
55014-1:2017+A11:2020, EN 55014-2:2015, EN IEC  
63000:2018**

Hvis ikke andet er angivet, er de ovennævnte  
standarder de senest udgivne versioner.

Udpeget organ: **0404, RISE SMP Svensk  
Maskinprovning AB, Box 7035, SE-750 07 Uppsala** Har  
udført overensstemmelsesvurdering i henhold til Bilag VI  
i direktiv 2000/14/EF.

Huskvarna, 2021-10-30



Claes Losdal, udviklingschef/haveprodukter (autoriseret  
repræsentant for Husqvarna AB og ansvarlig for teknisk  
dokumentation)

# Inhalt

Einleitung.....	91	Fehlerbehebung.....	109
Sicherheit.....	94	Transport, Lagerung und Entsorgung.....	110
Montage.....	102	Technische Daten.....	111
Betrieb.....	103	EU-Konformitätserklärung.....	113
Wartung.....	107		

# Einleitung

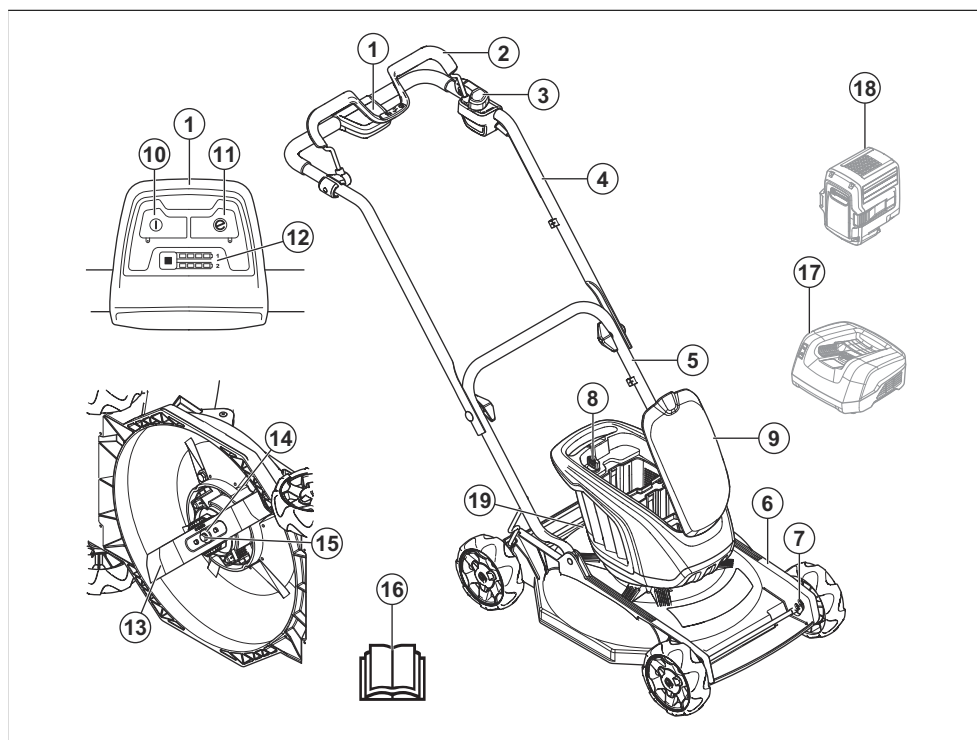
## Gerätebeschreibung

Das Gerät ist ein handgeführter Rasenmäher, der BioClip nutzt, um das Gras in Dünger zu schneiden.

## Verwendungszweck

Verwenden Sie das Gerät zum Schneiden von Gras.  
Verwenden Sie das Gerät nicht für andere Aufgaben.

## Produktübersicht



- |                         |   |
|-------------------------|---|
| 1. Bedienfeld           | 8. Sicherheitsschlüssel                   |
| 2. Motorbremsbügel      | 9. Akkuabdeckung                          |
| 3. Startsperr           | 10. EIN-/AUS-Schalter                     |
| 4. Oberer Griff         | 11. SavE-Taste (Energiespartaste)         |
| 5. Unterer Griff        | 12. Anzeige Akkuladestatus und Akku-Taste |
| 6. Schneidschutz        | 13. Klinge                                |
| 7. Schnitthöhenregelung | 14. Federring                             |

- 15. Klingenschraube
- 16. Bedienungsanleitung
- 17. Ladegerät (Zubehör)
- 18. Akku (Zubehör)
- 19. Typenschild mit QR-Code

## Symbole auf dem Gerät



Warnung: Unvorsichtige oder unsachgemäße Verwendung kann zu Verletzungen oder zum Tode des Bedieners oder anderer Personen führen.



Lesen Sie die Bedienungsanleitung sorgfältig durch, und machen Sie sich vor der Verwendung des Geräts mit ihrem Inhalt vertraut.



Andere Personen oder Tiere müssen sich in sicherem Abstand vom Arbeitsbereich befinden.



Achten Sie auf hochgeschleuderte und abfallende Gegenstände.



Warnung: Halten Sie Hände und Füße von der rotierenden Klinge fern.



Warnung: Halten Sie Hände und Füße von rotierenden Teilen fern.



Ziehen Sie vor Reparatur- und Wartungsarbeiten den Sicherheitsschlüssel ab.



Nicht dem Regen aussetzen



Das Gerät und die Verpackung des Geräts dürfen nicht über den Hausmüll entsorgt werden. Recyceln Sie es an einer Recyclingstation für elektrische und elektronische Geräte.



Dieses Gerät stimmt mit den geltenden EG-Richtlinien überein.



Dieses Gerät stimmt mit den geltenden Richtlinien der eurasischen Zollunion überein.



Dieses Gerät stimmt mit den geltenden UkrSEPRO-Richtlinien überein.



Dieses Gerät stimmt mit den geltenden RCM-Richtlinien überein. Dies gilt nur für AU/NZ.



Umweltbelastende Geräuschemissionen gemäß der Richtlinie der Europäischen Gemeinschaft. Die Emission des Geräts ist im Abschnitt „Technische Daten“ und auf dem Geräteschild angegeben.

## IPX1 Tropfgeschützt nach IPX1



Startvorgang: Drücken Sie den ON/OFF-Taste, lösen Sie die Wegfahrsperrung, und drücken Sie den Motorbremsbügel nach unten.



Lassen Sie den Motorbremsgriff los, um den Motor zu stoppen.

---

**Hinweis:** Sonstige Symbole/Aufkleber auf dem Gerät beziehen sich auf Zertifizierungsanforderungen, die in einigen Märkten gelten.

---

## Etikett auf dem Gerät



GEFAHR: Halten Sie mit Händen und Füßen sicheren Abstand.

## Produkthaftung

Im Sinne der Produkthaftungsgesetze übernehmen wir keine Haftung für Schäden, die unser Gerät verursacht, wenn...

- das Gerät nicht ordnungsgemäß repariert wird.
- das Gerät mit Teilen repariert wird, die nicht vom Hersteller stammen oder nicht vom Hersteller zugelassen sind.
- ein Zubehörteil mit dem Gerät verwendet wird, das nicht vom Hersteller stammt oder nicht vom Hersteller zugelassen ist.
- das Gerät nicht bei einem zugelassenen Service Center oder von einem zugelassenen Fachmann repariert wird.

### Sicherheitsdefinitionen

Warnungen, Vorsichtsmaßnahmen und Hinweise werden verwendet, um auf besonders wichtige Teile der Bedienungsanleitung hinzuweisen.



**WARNUNG:** Wird verwendet, wenn bei Nichtbeachtung der Anweisungen in diesem Handbuch die Gefahr von Verletzung oder Tod des Bedieners oder anderer Personen besteht.



**ACHTUNG:** Wird verwendet, wenn bei Nichtbeachtung der Anweisungen in diesem Handbuch die Gefahr von Schäden am Gerät, an anderen Materialien oder in der Umgebung besteht.

**Hinweis:** Für weitere Informationen, die in bestimmten Situationen nötig sind.

### Allgemeine Sicherheitshinweise

---



**WARNUNG:** Lesen Sie die folgenden Warnhinweise, bevor Sie das Gerät benutzen.

- Dieses Gerät ist gefährlich, wenn es falsch bedient wird oder Sie unvorsichtig sind. Wenn die Sicherheitshinweise nicht befolgt werden, kann dies zu Verletzungen oder zum Tod führen.
- Dieses Gerät erzeugt beim Betrieb ein elektromagnetisches Feld. Dieses Feld kann sich unter bestimmten Bedingungen auf die Funktionsweise aktiver oder passiver medizinischer Implantate auswirken. Um die Gefahr von Situationen, die zu schweren oder tödlichen Verletzungen führen können, zu reduzieren, sollten Personen mit einem medizinischen Implantat vor der Nutzung dieses Geräts ihren Arzt und den Hersteller des Implantats konsultieren.
- Lassen Sie immer Vorsicht walten, und arbeiten Sie mit gesundem Menschenverstand.

Wenn Sie sich nicht sicher sind, wie das Gerät in einer bestimmten Situation zu bedienen ist, unterbrechen Sie die Arbeit und wenden sich an Ihren Husqvarna-Händler, bevor Sie fortfahren.

- Denken Sie daran, dass der Bediener für Unfälle mit anderen Personen oder deren Eigentum verantwortlich ist.
- Halten Sie das Gerät sauber. Stellen Sie sicher, dass Symbole und Aufkleber deutlich lesbar sind.
- Verhindern Sie, dass Kinder oder Personen, die mit den Anweisungen nicht vertraut sind, das Gerät benutzen. Unter Umständen gelten gesetzlich vorgeschriebene Altersbeschränkungen für den Bediener
- Stellen Sie sicher, dass Personen mit verminderter physischer oder psychischer Leistungsfähigkeit dieses Gerät nicht unbeobachtet verwenden. Es muss immer ein verantwortlicher Erwachsener anwesend sein.
- Verwenden Sie das Gerät nicht, wenn Sie müde oder krank sind oder unter Einfluss von Alkohol, Drogen oder Medikamenten stehen. Dies

wirkt sich negativ auf Ihre Sehkraft, Ihre Aufmerksamkeit sowie Ihr Koordinations- und Urteilsvermögen aus.

- Verwenden Sie das Gerät nicht, wenn es defekt ist.
- Verändern oder verwenden Sie dieses Gerät nicht, wenn die Möglichkeit besteht, dass andere es verändert haben.

### Sicherheit im Arbeitsbereich



**WARNUNG:** Lesen Sie die folgenden Warnhinweise, bevor Sie das Gerät benutzen.

---

- Entfernen Sie Gegenstände wie Äste, Zweige und Steine aus dem Arbeitsbereich, bevor Sie das Produkt verwenden.
- Gegenstände, die auf die Schneid-ausrüstung treffen, können herausgeschleudert werden und Personen und Gegenständen Schaden zufügen. Halten Sie andere Personen und Tiere in einem sicheren Abstand zum Produkt.
- Benutzen Sie das Gerät niemals bei schlechtem Wetter wie Nebel, Regen, starkem Wind, intensiver Kälte und bei der Gefahr eines Blitzeinschlags. Die

Verwendung des Geräts bei schlechtem Wetter oder an feuchten oder nassen Stellen ist anstrengend. Schlechtes Wetter kann gefährliche Zustände wie rutschige Oberflächen verursachen.

- Achten Sie auf Personen, Gegenstände und Situationen, die einen sicheren Betrieb des Geräts verhindern könnten.
- Achten Sie auf Hindernisse wie Wurzeln, Steine, Zweige, Löcher und Gräben. Langes Gras kann Hindernisse verdecken.
- Das Mähen von Gras an Steigungen kann gefährlich sein. Mähen Sie nicht an übermäßig steilen Hängen. Verwenden Sie das Gerät nicht in einem Gelände mit einer Neigung von mehr als 15°
- Bei Richtungswechseln auf abschüssigem Gelände ist äußerste Vorsicht geboten. Betreiben Sie das Gerät quer zum Hang. Bewegen Sie sich nicht nach oben und nach unten.
- Seien Sie vorsichtig, wenn Sie um versteckte Ecken oder Objekte herum fahren, die Ihre freie Sicht verhindern.

## Arbeitssicherheit

---



**WARNUNG:** Lesen Sie die folgenden Warnhinweise, bevor Sie das Gerät benutzen.

---

- Verwenden Sie dieses Produkt nur zum Mähen von Rasenflächen. Es ist nicht erlaubt, das Produkt für andere Aufgaben zu verwenden.
- Benutzen Sie eine persönliche Schutzausrüstung. Siehe *Persönliche Schutzausrüstung auf Seite 98*.
- Stellen Sie sicher, dass Sie wissen, wie der Motor in einem Notfall schnell gestoppt werden kann.
- Verwenden Sie das Produkt nicht im Regen oder in feuchter Umgebung. Das Risiko eines elektrischen Schlags wird erhöht, wenn Wasser in das Gerät eindringt.
- Starten Sie das Produkt nicht, bevor die Klinge und alle Abdeckungen korrekt befestigt sind. Eine falsch befestigte Klinge kann sich lösen und Personenschaden verursachen.
- Stellen Sie sicher, dass die Klinge nicht auf Gegenstände



wie Steine und Wurzeln trifft. Dies kann die Klinge beschädigen und die Motorwelle verbiegen. Eine verbogene Achse führt zu starken Vibrationen und birgt ein hohes Risiko, dass die Klinge sich löst.

- Wenn die Klinge auf ein Objektiv trifft oder Vibrationen auftreten, müssen Sie das Produkt sofort abstellen. Stoppen Sie den Motor, drehen Sie den Sicherheitsschlüssel auf 0 und nehmen Sie den Akku heraus. Untersuchen Sie das Produkt auf beschädigte Teile. Reparieren Sie Schäden oder lassen Sie einen autorisierten Kundendienst die Reparatur durchführen.
- Befestigen Sie den Motorbremsbügel niemals fest am Griff, wenn der Motor läuft.
- Stellen Sie das Produkt auf eine stabile, flache Oberfläche und starten Sie es. Stellen Sie sicher, dass die Klinge nicht den Boden oder ein anderes Objekt berührt.
- Bleiben Sie immer hinter dem Produkt, wenn Sie es betreiben.
- Lassen Sie alle Räder auf dem Boden bleiben und halten Sie

den Griff mit 2 Händen, wenn Sie das Produkt betreiben. Halten Sie Hände und Füße von den rotierenden Rasenmäherklingen fern.

- Kippen Sie das Produkt nicht, wenn der Motor läuft.
- Seien Sie vorsichtig, wenn Sie das Produkt nach hinten ziehen.
- Heben Sie das Produkt nicht hoch, wenn der Motor läuft. Wenn Sie das Produkt anheben müssen, stoppen Sie zuerst den Motor, drehen Sie den Sicherheitsschlüssel auf 0 und nehmen Sie den Akku heraus.
- Gehen Sie nicht rückwärts, wenn Sie das Produkt betreiben.
- Stellen Sie den Motor ab, wenn Sie sich über Bereiche ohne Gras bewegen, zum Beispiel Wege aus Kies, Stein und Asphalt.
- Rennen Sie nicht mit dem Produkt, wenn der Motor läuft. Gehen Sie immer, wenn Sie das Produkt benutzen.
- Stellen Sie den Motor ab, bevor Sie die Schritthöhe verändern. Verändern Sie die Einstellungen niemals, wenn der Motor läuft.

- Lassen Sie das Produkt niemals aus den Augen, wenn der Motor läuft. Stellen Sie den Motor ab und stellen Sie sicher, dass sich die Schneidausrüstung nicht dreht.

## Sicherheitshinweise für den Betrieb

### Persönliche Schutzausrüstung



**WARNUNG:** Lesen Sie die folgenden Warnhinweise, bevor Sie das Gerät benutzen.

- Die persönliche Schutzausrüstung kann Verletzungen nicht vollständig vermeiden, vermindert aber den Umfang der Verletzungen und Schäden bei einem Unfall. Lassen Sie sich von Ihrem Händler bei der Auswahl der richtigen Ausrüstung unterstützen.
- Tragen Sie rutschfeste Sicherheitsstiefel oder -schuhe. Verwenden Sie keine offenen Schuhe, und gehen Sie nicht barfuß.
- Tragen Sie schwere, lange Hosen.
- Tragen Sie bei Bedarf Schutzhandschuhe, beispielsweise bei der Montage, der Untersuchung

## oder der Reinigung der Schneidausrüstung.

### Sicherheitsvorrichtungen am Gerät



**WARNUNG:** Lesen Sie die folgenden Warnhinweise, bevor Sie das Gerät benutzen.

- Benutzen Sie kein Gerät mit defekten Sicherheitsvorrichtungen.
- Führen Sie regelmäßig eine Überprüfung der Sicherheitsvorrichtungen durch. Wenn die Sicherheitsvorrichtungen defekt sind, wenden Sie sich an Ihre Husqvarna-Servicewerkstatt.

### So überprüfen Sie den Schneidschutz

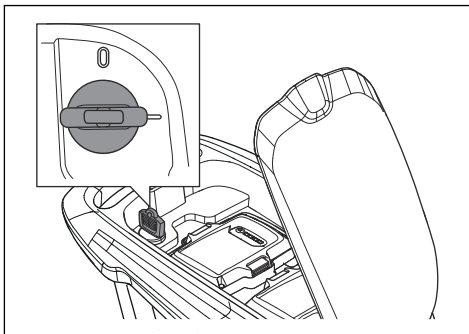
Der Schneidschutz verringert Vibrationen im Gerät und das Verletzungsrisiko durch die Klinge.

- Untersuchen Sie die Schneidewerkabdeckung, um sicherzustellen, dass es keine Beschädigungen wie zum Beispiel Risse gibt.

### Sicherheitsschlüssel

Der Sicherheitsschlüssel befindet sich unter der Akkuabdeckung. Mit dem Sicherheitsschlüssel wird der Akku angeschlossen, der den Motor mit Strom versorgt.

- Starten und stoppen Sie den Motor, um den Sicherheitsschlüssel zu kontrollieren.
- Wenn der Sicherheitsschlüssel ordnungsgemäß funktioniert, kann der Motor nur starten, wenn der Sicherheitsschlüssel auf Position „1“ steht.

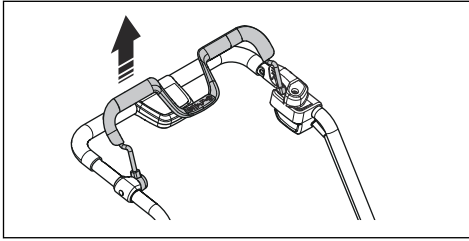


### Motorbremsbügel

Der Motorbremsbügel stoppt den Motor. Wenn der Motorbremsbügel losgelassen wird, stoppt der Motor.

Um eine Prüfung der Motorbremse durchzuführen, starten Sie den Motor und lassen dann den Motorbremsbügel los. Wenn der Motor nicht innerhalb von 3 Sekunden stoppt, lassen Sie die Motorbremse von

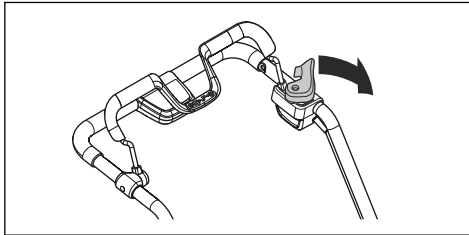
einer autorisierten Husqvarna Servicewerkstatt einstellen.



### So überprüfen Sie die Startsperrung

Führen Sie eine Prüfung der Startsperrung durch, um sicherzustellen, dass diese den Betrieb des Motors verhindert.

1. Drücken Sie den Motorbremsbügel in die Richtung des Lenkers. Die Startsperrung stoppt die Bewegung.
2. Drücken Sie die Startverzögerung heraus.



3. Lösen Sie die Startsperrung und stellen Sie sicher, dass sie sich zurück in die Ausgangsstellung bewegt.

## Sicherer Umgang mit Akku



**WARNUNG:** Lesen Sie die folgenden Warnhinweise, bevor Sie das Gerät benutzen.

- Verwenden Sie die wiederaufladbaren Akkus von Husqvarna nur als Stromversorgung für zugehörige Husqvarna Produkte. Um Verletzungen zu vermeiden, verwenden Sie den Akku nicht zur Energieversorgung anderer Geräte.
- Verwenden Sie keine nicht aufladbaren Akkus.
- Es besteht die Gefahr von elektrischen Schlägen. Verbinden Sie die Akkuklemmen nicht mit Schlüsseln, Münzen, Schrauben oder anderen metallischen Gegenständen. Dadurch kann es zu einem Kurzschluss des Akkus kommen.
- Legen Sie keine Gegenstände in die Luftschlitze des Akkus.
- Halten Sie den Akku von direkter Sonneneinstrahlung, Hitze oder offenem Feuer fern. Der Akku kann explodieren und Verbrennungen und/oder chemische Verbrennungen verursachen.
- Halten Sie den Akku von Regen und Feuchtigkeit fern.
- Halten Sie den Akku von Mikrowellen und hohem Druck fern.
- Versuchen Sie nicht, den Akku zu zerlegen oder aufzubrechen.
- Wenn aus dem Akku Flüssigkeit austritt, vermeiden Sie Haut- oder Augenkontakt mit dieser. Sollten Sie dennoch mit der Flüssigkeit in

Berührung gekommen sein, reinigen Sie den Bereich mit ausreichend Wasser und suchen Sie medizinische Hilfe auf.

- Der Akku darf nur bei Temperaturen zwischen -10 und 40 °C verwendet werden.
- Reinigen Sie weder den Akku noch das Ladegerät mit Wasser. Siehe *So reinigen Sie den Akku und das Ladegerät auf Seite 108*.
- Verwenden Sie keine fehlerhaften oder beschädigten Akkus.
- Lagern Sie Akkus getrennt von Metallgegenständen wie Nägeln, Münzen und Schmuck.

## Sicherer Umgang mit dem Ladegerät



**WARNUNG:** Lesen Sie die folgenden Warnhinweise, bevor Sie das Gerät benutzen.

- Verwenden Sie die QC Ladegeräte nur zum Laden von Husqvarna Akkus.
- Stromschlag- oder Kurzschlussgefahr. Legen Sie keine Gegenstände in die Luftschlitze des Ladegeräts.

Das Ladegerät nicht zerlegen. Verbinden Sie die Anschlüsse des Ladegeräts nicht mit Metallgegenständen. Verwenden Sie eine geprüfte Netzsteckdose.

- Dieses Gerät erzeugt beim Betrieb ein elektromagnetisches Feld. Dieses Feld kann sich unter bestimmten Bedingungen auf die Funktionsweise aktiver oder passiver medizinischer Implantate auswirken. Um die Gefahr von Situationen, die zu schweren oder tödlichen Verletzungen führen können, auszuschließen, sollten Personen mit einem medizinischen Implantat vor der Nutzung dieses Gerätes ihren Arzt und den Hersteller des Implantats konsultieren.
- Prüfen Sie regelmäßig, dass das Netzkabel des Akkuladegeräts nicht beschädigt ist und dass keine Risse vorhanden sind.
- Heben Sie das Ladegerät nicht am Netzkabel an. Um das Ladegerät von der Steckdose zu trennen, ziehen Sie am Netzstecker. Ziehen Sie nicht am Netzkabel.
- Achten Sie darauf, dass Netzkabel und Verlängerungskabel nicht mit

Wasser, Öl oder scharfen Kanten in Berührung kommen. Achten Sie darauf, dass die Kabel nicht in Türen, Zäunen o. ä. eingeklemmt werden. Es besteht sonst die Gefahr, dass das Ladegerät unter Strom gestellt wird.

- Reinigen Sie das Ladegerät nicht mit Wasser.
- Das Akkuladegerät kann von Kindern ab 8 Jahren sowie von Personen mit eingeschränkten physischen, sensorischen oder psychischen Fähigkeiten bzw. Personen ohne jegliche Erfahrung oder Kenntnisse verwendet werden, wenn sie beaufsichtigt werden oder ihnen die sichere Verwendung des Ladegeräts ausführlich erklärt wurde und sie sich der Gefahren bewusst sind. Kinder dürfen nicht mit dem Ladegerät spielen. Die Reinigung und Wartung durch den Anwender darf nicht von Kindern ohne Aufsicht durchgeführt werden.
- Setzen Sie keine nicht wiederaufladbaren Akkus in das Ladegerät ein.
- Das Ladegerät darf nicht in der Nähe von entflammaren Materialien oder Materialien, die Korrosion verursachen

können, verwendet werden. Das Ladegerät darf nicht abgedeckt werden. Bei Rauchentwicklung oder Feuer muss der Stecker des Ladegeräts sofort aus der Steckdose gezogen werden.

- Verwenden Sie keine fehlerhaften oder beschädigten Ladegeräte.
- Laden Sie den Akku nur in geschlossenen Räumen an einem Ort mit guter Luftzirkulation und ohne direkte Sonneneinstrahlung. Auf keinen Fall Akkus in feuchter Umgebung laden.

### **Sicherheitshinweise für die Wartung**



**WARNUNG:** Lesen Sie die folgenden Warnhinweise, bevor Sie das Gerät benutzen.

---

- Um ein unbeabsichtigtes Starten während der Wartung zu vermeiden, drehen Sie den Sicherheitsschlüssel auf 0 und nehmen Sie den Akku heraus. Warten Sie mindestens 5 Sekunden, bevor Sie mit der Wartung beginnen.
- Führen Sie die Wartungsarbeiten zur Erhöhung der Lebensdauer

des Produkts und Verringerung der Unfallgefahr ordnungsgemäß aus. Lassen Sie professionelle Reparaturen von einer zugelassenen Servicewerkstatt durchführen. Weitere Informationen erhalten Sie von Ihrer Servicewerkstatt.

- Führen Sie die Wartung nur gemäß dieser Betriebsanleitung durch. Größere Eingriffe sind von einer zugelassenen Servicewerkstatt auszuführen.
- Tragen Sie beim Umgang mit der Schneidausrüstung schwere Arbeitshandschuhe. Die Klinge ist sehr scharf und man schneidet sich sehr leicht.
- Halten Sie die Schnittkanten sauber und scharf für die beste und sicherste Leistung.

- Ihre Servicewerkstatt sollte das Gerät regelmäßig überprüfen und notwendige Einstellungen und Reparaturen vornehmen.
- Ersetzen Sie beschädigte, abgenutzte oder defekte Teile.
- Befolgen Sie die Anweisungen für das Auswechseln von Zubehörteilen. Verwenden Sie nur Zubehör vom Gerätehersteller.
- Wenn es nicht in Betrieb ist, bewahren Sie Produkt, Akku und Ladegerät getrennt an einem trockenen und abgeschlossenen Ort auf. Achten Sie darauf, dass Kinder und unbefugte Personen keinen Zugriff auf das Produkt, den Akku oder das Ladegerät haben.

---

## Montage

---

### Einleitung

---



**WARNUNG:** Lesen Sie das Kapitel über Sicherheit vor der Montage des Produkts.

---



**WARNUNG:** Um ein unbeabsichtigtes Starten bei der Montage zu verhindern, drehen Sie den Sicherheitsschlüssel auf 0, entfernen Sie den Akku und warten Sie mindestens 5 Sekunden.

---

### Für die Montage des Griffs

---

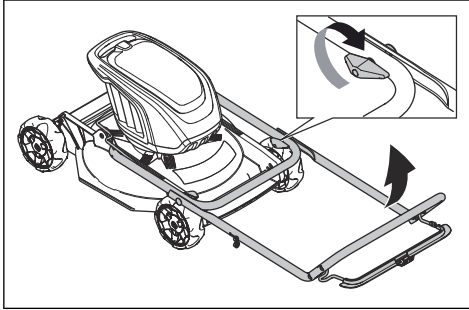


**ACHTUNG:** Verdrillen Sie die Kabel nicht!

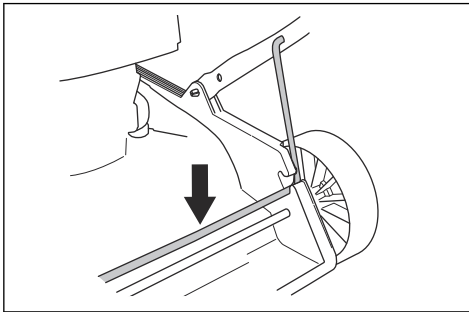
---

1. Richten Sie die Löcher des oberen Griffs mit den Löchern des unteren Griffs aus.

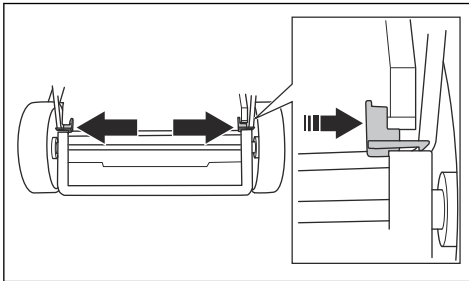
2. Ziehen Sie die Knöpfe auf der linken und der rechten Seite vollständig an, und klappen Sie den Griff nach oben.



3. Stecken Sie den Bolzen in die Nut auf der Schneidwerkabdeckung.



4. Befestigen Sie die zwei Haltepunkte, die Bolzen und Griff verriegeln. Drücken Sie sie vollständig in die richtige Position.



**Hinweis:** Es gibt 2 Haltepunkte, einen mit einem H und einen mit einem V. Befestigen Sie den

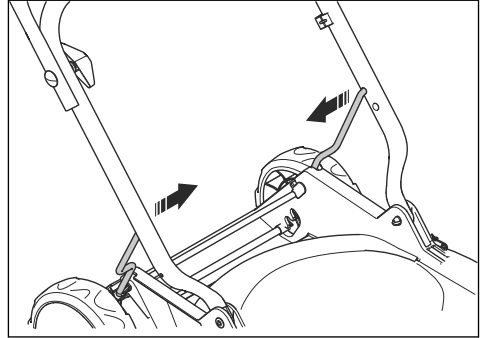
Haltepunkt mit einem H auf der rechten Seite und den Haltepunkt mit einem V auf der linken Seite.



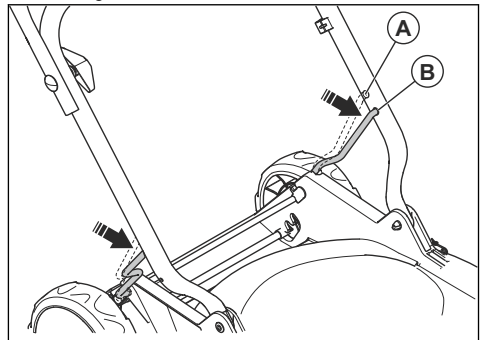
**ACHTUNG:** Verwenden Sie das Produkt nicht, wenn die zwei Haltepunkte nicht befestigt sind.

## So stellen Sie die Handgriffhöhe ein

1. Entfernen Sie die Handgriffstütze vom unteren Handgriff.



- a) Schieben Sie die Handgriffstütze in die obere Bohrung (A), um die Handgriffhöhe zu verringern.  
b) Schieben Sie die Handgriffstütze in die untere Bohrung (B), um die Handgriffhöhe zu vergrößern.



## Betrieb

### Einleitung



**WARNUNG:** Vor dem Betrieb des Gerätes müssen Sie die

Sicherheitsinformationen lesen und verstehen.

## Husqvarna Connect

Husqvarna Connect ist eine kostenlose App für Ihr Mobilgerät. Die Husqvarna Connect App bietet erweiterte Funktionen für Ihr Gerät:

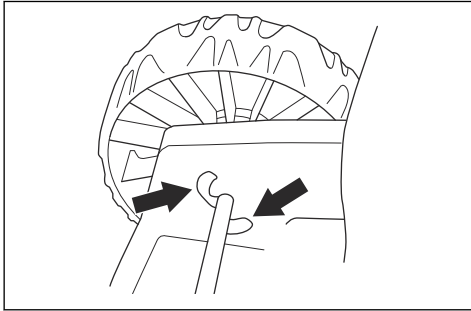
- Erweiterte Produktinformationen
- Informationen über Produktteile und -wartung sowie entsprechende Hilfe dazu.

## So verwenden Sie Husqvarna Connect

1. Laden Sie die Husqvarna Connect App auf Ihr Mobiltelefon.
2. Anmeldung bei der Husqvarna Connect App.
3. Befolgen Sie die Anweisungen in der Husqvarna Connect App, um sich zu verbinden und das Gerät zu registrieren.

## So stellen Sie die Schnitthöhe ein

- Drücken Sie das Führungsrohr heraus und bringen Sie es in die richtige Position für jedes der vier Räder.



**ACHTUNG:** Stellen Sie die Schnitthöhe nicht zu niedrig ein. Die Klingen können auf den Boden treffen, wenn die Oberfläche des Rasens nicht eben ist.

## Akku

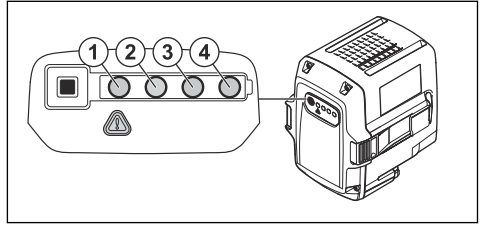


**WARNUNG:** Vor dem Betrieb des Akkus müssen Sie die Sicherheitsinformationen lesen und verstehen. Sie müssen außerdem Bedienungsanleitung für den Akku und das Ladegerät lesen und verstehen.

## Akkuladezustand

Auf der Anzeige werden der verbleibende Ladezustand und eventuelle Störungen des Akkus angezeigt. Die Akkukapazität wird nach dem Ausschalten des Geräts bzw. nach Drücken der Akkuanzeigetaste für 5 Sekunden angezeigt. Das Warnsymbol auf dem Akku

ist an, wenn eine Störung vorliegt. Siehe *Akku auf Seite 109*.



LED-Leuchten	Akkuladezustand
Alle LEDs leuchten	Volle Ladung (75-100 %)
LED 1, LED 2 und LED 3 leuchten	Der Akku ist zu 50-75 % geladen
LED 1 und LED 2 leuchten	Der Akku ist zu 25-50 % geladen
LED 1 leuchtet	Der Akku ist zu 0-25 % geladen.
LED 1 blinkt	Der Akku ist leer. Laden Sie den Akku.

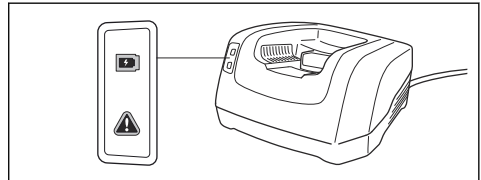
## So laden Sie den Akku

Laden Sie den Akku vor dem ersten Gebrauch. Der Akku ist bei der Auslieferung an den Kunden nur zu 30 % geladen.

**Hinweis:** Das Ladegerät muss mit der auf dem Typenschild angegebenen Spannung und Frequenz angeschlossen werden.

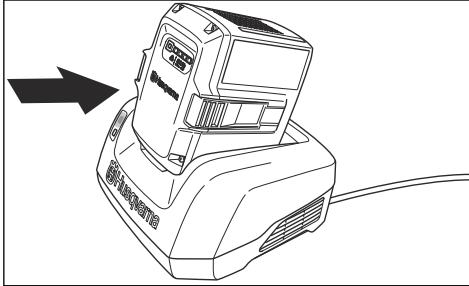
Der Akku wird nicht aufgeladen, wenn die Akkutemperatur über 50 °C beträgt. Das Ladegerät verringert die Temperatur des Akkus, bevor es zu laden beginnt.

1. Schließen Sie ein Ende des Netzkabels für das Ladegerät an die Anschlussbuchse des Ladegeräts an.
2. Schließen Sie das andere Ende des Netzkabels für das Ladegerät an eine geerdete Steckdose an. Die LED am Ladegerät blinkt einmal grün.





- Die Batterie in das Ladegerät einlegen. Die grüne Leuchte auf dem Ladegerät leuchtet auf, wenn der Akku richtig mit dem Ladegerät verbunden ist.



- Wenn alle LEDs am Akku leuchten, ist der Akku vollständig aufgeladen. Laden Sie den Akku für maximal 24 Stunden.
- Um das Ladegerät von der Steckdose zu trennen, ziehen Sie am Netzstecker und nicht am Netzkabel.
- Den Akku aus dem Ladegerät entnehmen.

### Akku-Ladestatus

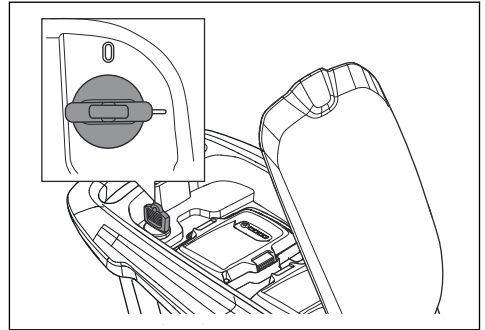
Ein Husqvarna Li-Ionen-Akku kann in jedem Ladezustand aufgeladen oder genutzt werden. Der Akku wird hierdurch nicht beschädigt. Ein vollgeladener Akku behält seine Ladung auch dann, wenn der Akku im Ladegerät belassen wird.

LED-Anzeige	Ladezustand
LED 1 blinkt	0 %-25 %
LED 1 leuchtet, LED 2 blinkt	25 %-50 %
LED 1 und LED 2 leuchten, LED 3 blinkt	50 %-75 %
LED 1, LED 2 und LED 3 leuchten, LED 4 blinkt	75%-100 %
LED 1, LED 2, LED 3 und LED 4 leuchten	Vollständig aufgeladen

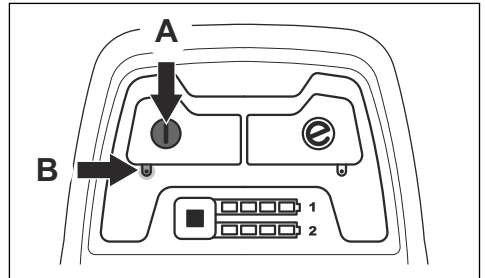
### So starten Sie das Gerät

- Legen Sie einen geladenen Akku in das Akkufach Nummer 1 unter der Akkuabdeckung. Für eine längere Betriebsdauer legen Sie einen zweiten aufgeladenen Akku in das Akkufach 2.

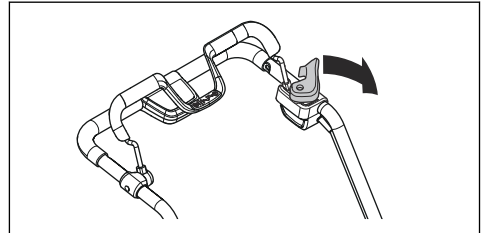
- Drehen Sie den Sicherheitsschlüssel auf 1.



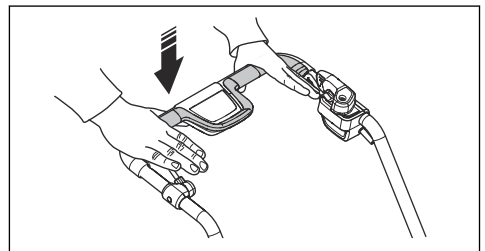
- Bleiben Sie hinter dem Produkt.
- Drücken Sie die EIN/AUS-Taste (A) auf dem Bedienfeld, sodass die grüne LED (B) aufleuchtet.



- Lösen Sie die Wegfahrsperrung.



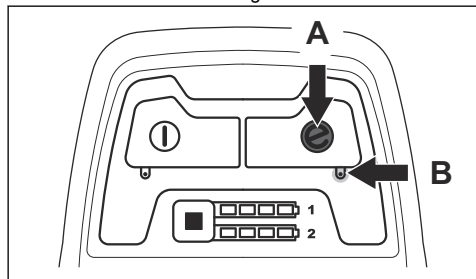
- Drücken Sie den Motorbremsbügel in die Richtung des Lenkers.



## So verwenden Sie die SavE-Akkusparfunktion

Das Produkt ist mit einer Akkusparfunktion (SavE) ausgestattet, um die Betriebsdauer zu verlängern.

1. Drücken Sie die SavE-Taste (Energiespartaste) zum Starten der Funktion. Die grüne LED leuchtet auf.



2. Drücken Sie die SavE-Taste (Energiespartaste) erneut, um die Funktion zu deaktivieren. Die grüne LED (B) erlischt.

Die SavE-Funktion stoppt automatisch, wenn die Bodenbeschaffenheit eine höhere Leistung notwendig macht. Die SavE-Funktion startet automatisch, wenn die Bodenbeschaffenheit es zulässt.

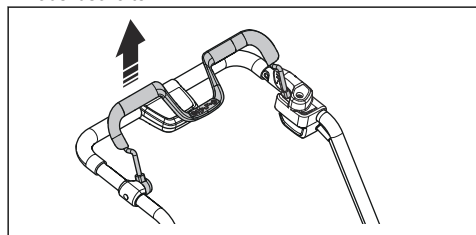
## Funktion für hohe Belastung

Wenn das Produkt langes oder nasses Gras schneidet, wird die Motordrehzahl automatisch erhöht. Der Motor wechselt zurück zum normalen Modus, wenn eine hohe Belastung nicht erforderlich ist.

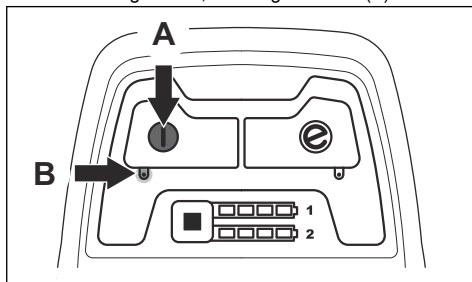
## So stoppen Sie das Produkt

Das Produkt stoppt automatisch, wenn Sie es für 10 Minuten nicht in Betrieb nehmen. Stellen Sie stets den Sicherheitsschlüssel auf 0, bevor Sie das Produkt unbeaufsichtigt lassen.

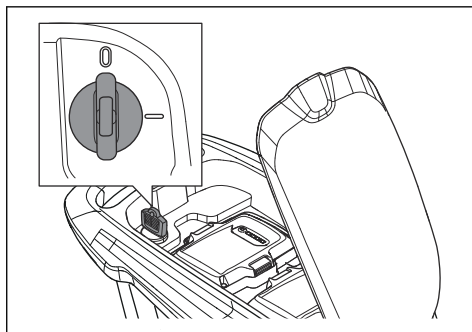
1. Lösen Sie den Motorbremsbügel, um den Motor auszuschalten.



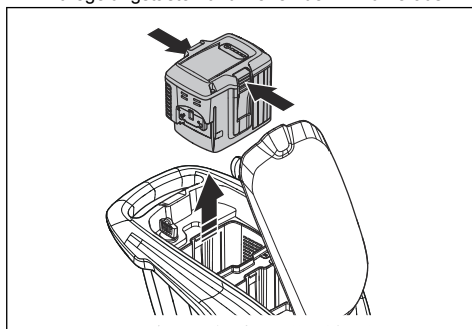
2. Halten Sie den EIN/AUS-Schalter (A) auf dem Bedienfeld gedrückt, bis die grüne LED (B) erlischt.



3. Öffnen Sie die Akkuabdeckung und drehen Sie den Sicherheitsschlüssel auf 0.



4. Um den Akku zu entfernen, drücken Sie die beiden Entriegelungstasten und ziehen den Akku heraus.



5. Laden Sie den Akku, wenn er schwach ist. Weitere Informationen finden Sie unter *So laden Sie den Akku auf Seite 104*.

## So erhalten Sie ein gutes Arbeitsergebnis

- Benutzen Sie immer eine scharfe Klinge. Eine stumpfe Klinge liefert ein unregelmäßiges Ergebnis, und die Schnittfläche des Grasses wird gelb. Eine scharfe Klinge verbraucht außerdem weniger Energie als eine stumpfe Klinge.

- Schneiden Sie nicht mehr als  $\frac{1}{3}$  der Länge des Grases ab. Mähen Sie zuerst mit einer hohen Schnitthöhe. Überprüfen Sie das Ergebnis, und senken Sie die Schnitthöhe auf eine entsprechende Stufe. Wenn das Gras sehr lang ist, fahren Sie langsam und mähen bei Bedarf 2-mal.
- Mähen Sie bei jedem Mal in eine andere Richtung, um Streifen auf dem Rasen zu vermeiden.
- Halten Sie die Schneidwerkabdeckung sauber. Ansammlungen von Gras und Schmutz auf der Innenseite der Schneidwerkabdeckung können das Schneidergebnis beeinträchtigen. Siehe *So reinigen Sie das Gerät auf Seite 108*.

## Wartung

### Einleitung



**WARNUNG:** Bevor Sie eine Wartung durchführen, müssen Sie das Kapitel über die Sicherheit lesen und verstehen.

Für alle Wartungs- und Reparaturarbeiten am Produkt ist eine spezielle Schulung erforderlich. Wir garantieren die Verfügbarkeit von professionellen Reparaturen und Wartungsarbeiten. Wenn Ihr Händler keine Servicewerkstatt ist, sprechen Sie mit ihm, um

Informationen über die nächste Servicewerkstatt zu erhalten.

### Wartungsplan

Die Wartungsintervalle werden anhand der täglichen Nutzung des Produkts berechnet. Die Intervalle ändern sich, wenn das Produkt nicht täglich verwendet wird.

Für Wartungsarbeiten, die mit \* gekennzeichnet sind, siehe Anweisungen in *Sicherheitsvorrichtungen am Gerät auf Seite 98*.

	Nach jedem Einsatz	Monatlich	Zu jeder Jahreszeit
Führen Sie eine allgemeine Inspektion durch	X		
Reinigen Sie das Produkt	X		
Prüfen Sie die Startsperrung *	X		
Stellen Sie sicher, dass die Sicherheitsvorrichtungen am Produkt nicht beschädigt sind *	X		
Prüfen Sie die Schneidausrüstung	X		
Prüfen Sie die Schneidwerkabdeckung *	X		
Führen Sie eine Prüfung des Motorbremsbügels durch *	X		
Stellen Sie sicher, dass die EIN/AUS-Taste funktioniert und nicht defekt ist	X		
Untersuchen Sie den Akku auf Schäden	X		
Kontrollieren Sie den Ladezustand des Akkus	X		
Stellen Sie sicher, dass die Entriegelungstasten am Akku richtig funktionieren und der Akku in das Produkt einrastet	X		
Überprüfen Sie das Ladegerät auf Beschädigungen und stellen Sie sicher, dass es ordnungsgemäß funktioniert.		X	
Überprüfen Sie die Verbindungen zwischen dem Akku und dem Produkt. Überprüfen Sie auch die Verbindung zwischen dem Akku und dem Ladegerät.			X

### So führen Sie eine allgemeine Inspektion durch

- Stellen Sie sicher, dass die Muttern und Schrauben am Produkt nicht beschädigt sind.
- Stellen Sie sicher, dass die Kabel an dem Produkt nicht so liegen, dass sie beschädigt werden könnten.

## So reinigen Sie das Gerät

- Kunststoffteile mit einem sauberen und trockenen Tuch reinigen.
- Verwenden Sie kein Wasser zur Reinigung des Produkts. Wasser kann in den Akku oder den Motor eindringen und einen Kurzschluss oder andere Schäden am Produkt verursachen.
- Reinigen Sie das Gerät nicht mit einem Hochdruckreiniger.
- Lassen Sie kein Wasser direkt auf den Motor gelangen.
- Verwenden Sie einen Pinsel, um Blätter, Gras und Schmutz zu entfernen.

## So reinigen Sie den Akku und das Ladegerät



**WARNUNG:** Reinigen Sie weder den Akku noch das Ladegerät mit Wasser.

- Stellen Sie sicher, dass der Akku und das Ladegerät sauber und trocken sind, bevor Sie den Akku in das Ladegerät einlegen.
- Reinigen Sie die Akkuklemmen mit Druckluft oder einem weichen, trockenen Tuch.
- Reinigen Sie die Oberflächen des Akkus und des Ladegeräts mit einem weichen, trockenen Tuch.

## So prüfen Sie die Schneidrüstung



**WARNUNG:** Um ein unbeabsichtigtes Starten zu verhindern, drehen Sie den Sicherheitsschlüssel auf 0, entfernen Sie den Akku und warten Sie mindestens 5 Sekunden.



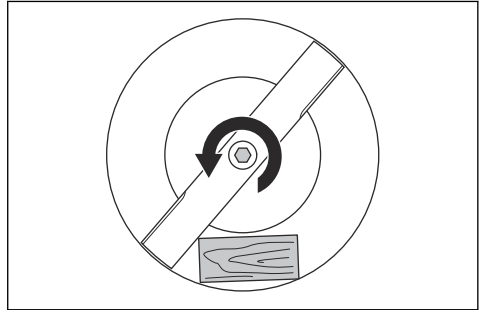
**WARNUNG:** Tragen Sie Schutzhandschuhe, wenn Sie an der Schneidrüstung eine Wartung durchführen. Die Klinge ist sehr scharf und man schneidet sich sehr leicht.

1. Prüfen Sie die Schneidrüstung auf Beschädigungen oder Risse. Wechseln Sie eine beschädigte Schneidrüstung unbedingt aus.
2. Schauen Sie sich die Klinge an, um festzustellen, ob sie beschädigt oder stumpf ist.

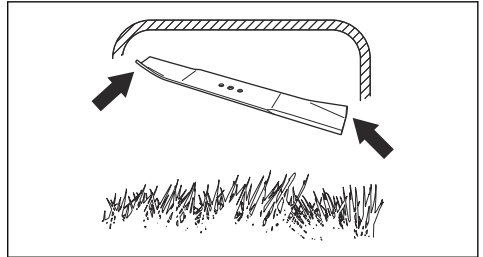
**Hinweis:** Nach dem Schärfen muss die Klinge ausbalanciert werden. Lassen Sie eine Servicewerkstatt die Klinge schärfen, ersetzen und ausbalancieren. Wenn Sie auf ein Hindernis treffen, das das Produkt zum Halten bringt, ersetzen Sie die beschädigte Klinge. Lassen Sie die Werkstatt beurteilen, ob die Klinge geschliffen werden kann oder ersetzt werden muss.

## So tauschen Sie das Messer aus

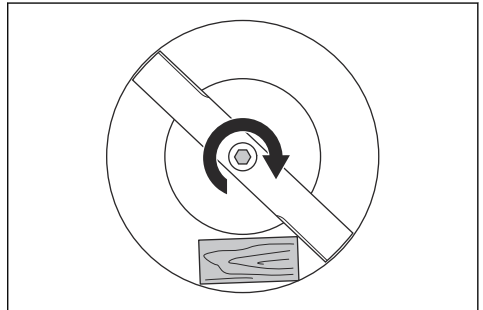
1. Arretieren Sie die Klinge mit einem Holzblock.



2. Entfernen Sie den Bolzen der Klinge.
3. Entfernen Sie die Klinge.
4. Prüfen Sie die Halterung und den Bolzen der Klinge, um festzustellen, ob Beschädigungen vorliegen.
5. Prüfen Sie die Motorwelle, um sicherstellen, dass sie nicht geknickt ist.
6. Wenn Sie die neue Klinge montieren, zeigen die abgewinkelten Enden der Klinge in die Richtung der Schneidwerkabdeckung.



7. Stellen Sie sicher, dass das Messer mit der Mitte der Motorwelle ausgerichtet ist.
8. Arretieren Sie die Klinge mit einem Holzblock. Befestigen Sie die Federscheibe und ziehen Sie die Schraube und die Unterlegscheibe mit einem Drehmoment von 23–28 Nm an.



9. Drehen Sie die Klinge mit der Hand, um sicherzustellen, dass sie sich einwandfrei dreht.



**WARNUNG:** Tragen Sie Sicherheitshandschuhe. Die Klinge ist

sehr scharf und man schneidet sich sehr leicht.

10. Starten Sie das Produkt, um die Klinge zu prüfen. Wenn die Klinge nicht richtig befestigt ist, gibt es im Produkt Vibrationen oder das Schneidergebnis ist unbefriedigend.

## Fehlerbehebung

### Akku

LED-Anzeige am Akku	Ursache	Lösung
Die grüne LED blinkt.	Die Akkuspannung ist niedrig.	Den Akku laden. Siehe <i>So laden Sie den Akku auf Seite 104.</i>
Die Fehler-LED blinkt.	Der Akku ist schwach.	Den Akku laden. Siehe <i>So laden Sie den Akku auf Seite 104.</i>
	Die Temperatur in der Arbeitsumgebung ist zu hoch oder zu niedrig.	Der Akku darf nur bei Temperaturen zwischen -10 und 40 °C verwendet werden.
	Überspannung.	Sicherstellen, dass die Netzspannung mit dem auf dem Typenschild des Geräts angezeigten Spannungswert übereinstimmt.  Den Akku aus dem Ladegerät entnehmen. 5 Sekunden und warten und erneut versuchen, den Akku aufzuladen. Falls das Problem weiter besteht, eine autorisierte Servicewerkstatt kontaktieren.
Die Fehler-LED leuchtet.	Die Zellendifferenz ist zu groß (1 V).	Bitte eine autorisierte Servicewerkstatt kontaktieren.

### Akkuladegerät

Die LED am Akkuladegerät	Ursache	Lösung
Die Fehler-LED blinkt.	Die Temperatur in der Arbeitsumgebung ist zu hoch oder zu niedrig.	Das Ladegerät darf nur in Umgebungen mit Temperaturen zwischen 5 und 40 °C verwendet werden.
Die Fehler-LED leuchtet.		Bitte eine autorisierte Servicewerkstatt kontaktieren.

### Bedienfeld

Bei Problemen, die nicht in diesem Abschnitt behandelt werden, wenden Sie sich an Ihre Servicewerkstatt.

Tastatur	Fehlercodes (Anzahl des Blinkens)	Mögliche Fehler	Mögliche Fehlerbehebung
Störungs-LED blinkt	3	Der Motor ist überlastet	Erhöhen Sie die Schnitthöhe. Siehe <i>So stellen Sie die Schnitthöhe ein auf Seite 104.</i>
	5	Die Motordrehzahl fällt zu stark ab und der Motor stoppt	
	10	Die Motorsteuerung ist zu heiß	Schalten Sie den Motor ab und warten Sie, bis er sich abgekühlt hat
	2	Die Klinge ist blockiert.	Um ein unbeabsichtigtes Starten zu verhindern, drehen Sie den Sicherheitsschlüssel auf 0, entfernen Sie den Akku und warten Sie mindestens 5 Sekunden. Stellen Sie sicher, dass die Klinge sich frei drehen kann. Falls das Problem weiterbesteht, wenden Sie sich an eine autorisierte Servicewerkstatt
	9	Akkufehler oder kein Signal vom Akku	Setzen Sie den Akku korrekt in das Produkt ein und untersuchen Sie den Akkuanschluss. Wenn die Fehler-LED am Akku blinkt, siehe <i>Akku auf Seite 104.</i>
Das Produkt schaltet sich ab	8	Der Akku ist schwach	Laden Sie den Akku. Siehe <i>So laden Sie den Akku auf Seite 104.</i>
	0	Anschluss für den Akku defekt	Überprüfen Sie den Anschluss für den Akku

## Transport, Lagerung und Entsorgung

### Einleitung



**WARNUNG:** Um ein unbeabsichtigtes Starten beim Transport zu verhindern, drehen Sie den Sicherheitsschlüssel auf 0, entfernen Sie den Akku und warten Sie mindestens 5 Sekunden.

### Transport

- Die enthaltenen Lithium-Ionen-Batterien unterliegen den gesetzlichen Bestimmungen zu gefährlichen Gütern.
- Für gewerbliche Transporte müssen besondere Anforderungen bei Verpackung und Kennzeichnung eingehalten werden.
- Stellen Sie sicher, dass Sie sich an die Vorschriften für gefährliche Güter halten, wenn Sie das Produkt für den Transport vorbereiten. Gegebenenfalls gelten örtliche Vorschriften.
- Entnehmen Sie die für den Transport stets den Akku.
- Decken Sie die Akkustecker mit Klebeband ab und stellen Sie sicher, dass der Akku sich während des Transports nicht bewegen kann.

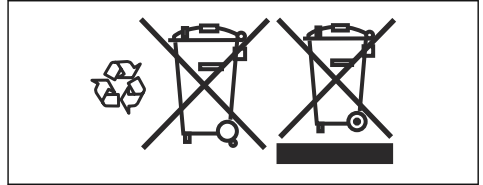
- Sichern Sie das Produkt während des Transports.

### Lagerung

- Entnehmen Sie für die Lagerung stets den Akku.
- Stellen Sie zur Vermeidung von Unfällen sicher, dass der Akku während der Lagerung nicht an das Produkt angeschlossen bleibt.
- Bewahren Sie das Ladegerät an einem geschlossenen und trockenen Ort auf.
- Bewahren Sie den Akku und das Ladegerät an einem trockenen Ort ohne Feuchtigkeit oder Frost auf.
- Trennen Sie den Akku während der Lagerung vom Ladegerät.
- Lagern Sie den Akku nicht an einem Ort, an dem es zu elektrostatischen Entladungen kommen kann. Bewahren Sie den Akku nicht in einem Metallkasten auf.
- Lagern Sie den Akku an einem Ort mit einer Temperatur zwischen 5 und 25 °C und setzen Sie ihn nicht direkter Sonneneinstrahlung aus.
- Lagern Sie das Ladegerät an einem Ort mit einer Temperatur zwischen 5 und 45 °C und setzen Sie es nicht direkter Sonneneinstrahlung aus.

- Stellen Sie sicher, dass der Akkustand mindestens zwischen 30 und 50 % beträgt, bevor Sie das Produkt für längere Zeit einlagern.
- Bewahren Sie das Produkt, den Akku und das Ladegerät an einem verschließbaren Ort und für Kinder und unbefugte Personen unzugänglich auf.
- Reinigen Sie das Produkt und lassen Sie es vollständig warten, bevor Sie es längere Zeit einlagern.

potentiellen negativen Auswirkungen auf die Umwelt und Ihre Mitmenschen entgegenzuwirken, die sich andernfalls durch eine unsachgemäße Entsorgung dieses Produkts ergeben können. Genauere Informationen über die ordnungsgemäße Entsorgung dieses Produkts erhalten Sie bei Ihrer Stadtverwaltung, Ihrem Abfallentsorgungsunternehmen oder dem Geschäft, in dem Sie Ihr Produkt gekauft haben.



## Entsorgung

Durch Symbole auf dem Produkt oder seiner Verpackung wird angezeigt, dass dieses Produkt nicht über den Hausmüll entsorgt werden darf. Es ist einer entsprechenden Recycling-Einrichtung zuzuführen, damit elektrische und elektronische Komponenten wiedergewonnen werden können.

Dadurch, dass Sie sicherstellen, dass Sie mit diesem Produkt sorgfältig umgehen, können Sie helfen, den

## Technische Daten

	LB 146i
<b>Schneidmotor</b>	
Motortyp	BLDC (bürstenlos) 36 V
Motordrehzahl – SavE, U/min	2.600
Motordrehzahl – Nennwert, U/min	3000
Motordrehzahl – hohe Belastung, U/min	3500
Motorleistung – max. kW	1,05
Motorleistung – Nennwert, kW	0,9
Überstromgrenzwert (Stromgrenzwert: 900W-27A)	27 (+/-) 1A
<b>Gewicht</b>	
Gewicht ohne Akku, kg	16,9
<b>Akku <sup>17</sup></b>	
Akkutyp	Husqvarna-Akkuserie
<b>Akkulaufzeit</b>	
Mindest-Akkulaufzeit (Leerlauf) bei aktiviertem SavE-Modus, mit einem Husqvarna 5,2-Ah-Akku (BLi200).	77
Mindest-Akkulaufzeit (Leerlauf) bei aktiviertem Standardmodus, mit einem Husqvarna 5,2-Ah-Akku (BLi200).	45
<b>Geräuschemissionen <sup>18</sup></b>	

<sup>17</sup> Für das beste Resultat und die beste Leistung wird der Akku Husqvarna BLi200 empfohlen.

<sup>18</sup> Umweltbelastende Geräuschemissionen, gemessen als Schalleistung ( $L_{WA}$ ) gemäß EG-Richtlinie 2000/14/EG.

	<b>LB 146i</b>
Schalleistungspegel, gemessen dB (A)	90
Schalleistungspegel, garantiert L <sub>WA</sub> dB (A)	91
<b>Schallpegel</b> <sup>19</sup>	
Schalldruckpegel am Ohr des Bedieners, dB (A)	79
<b>Vibrationspegel</b> <sup>20</sup>	
Griff, m/s <sup>2</sup>	0,9
<b>Schneidausrüstung</b>	
Schnitthöhe, mm	35-70 mm
Schnittbreite, cm	46
Klinge	BioClip
Artikelnummer	5947022-10

Zugelassene Akkus	Typ	Akkukapazität, Ah	Spannung, V	Gewicht, lb/kg
BLi20	Lithium-Ionen	4,0	36	2,6/1,2
BLi200	Lithium-Ionen	5,2	36	2,8/1,3
BLi300	Lithium-Ionen	9,4	36	4,2/1,9

Zugelassene Ladegeräte für die angegebenen Akkus, BLi	Eingangsspannung, V	Frequenz, Hz	Leistung, W
QC80	100-240	50-60	100
QC80F	10-15	N/A	95
QC330	100-240	50-60	330
QC500	100-240	50-60	500
40-C80	100-240	50-60	68,8

<sup>19</sup> Berichten zufolge liegt der Schalldruckpegel normalerweise bei einer Ausbreitungsklasse (Standardabweichung) von 1,2 dB (A).

<sup>20</sup> Berichten zufolge liegt der Vibrationspegel normalerweise bei einer Ausbreitungsklasse (Standardabweichung) von 0,2 m/s<sup>2</sup>. Norm EN 60335-2-77:2017, Kapitel 20.105



---

# EU-Konformitätserklärung

---

## EU-Konformitätserklärung

**Husqvarna AB**, SE-561 82 Huskvarna, Schweden, Tel.: +46-36-146500 versichert, dass der **Rasenmäher Husqvarna LB 146i** ab dem Jahr 2021 den Vorschriften folgender RICHTLINIE DES RATES entspricht:

- Richtlinie zur „Beschränkung der Verwendung bestimmter gefährlicher Stoffe“, **2011/65/EU** vom 8. Juni 2011
- „Maschinenrichtlinie“ **2006/42/EG** vom 17. Mai 2006
- Richtlinie „über elektromagnetische Verträglichkeit“, **2014/30/EU** vom 26. Februar 2014
- „Richtlinie über umweltbelastende Geräuschemissionen von zur Verwendung im Freien vorgesehenen Geräten und Maschinen“ **2000/14/EG** vom 8. Mai 2000

Informationen zu Geräuschemissionen finden Sie in den technischen Daten.

Die folgenden Normen werden erfüllt:

**EN 60335-1:2012+A11:2014+A13:2017, EN 60335-2-77:2010, EN 62233:2008, EN 55014-1:2017+A11:2020, EN 55014-2:2015, EN IEC 63000:2018**

Sofern nicht anders angegeben, entsprechen die oben genannten Normen den neuesten veröffentlichten Versionen.

Benannte Stelle: **0404, RISE SMP Svensk Maskinprovning AB, Box 7035, SE-750 07 Uppsala** hat eine Konformitätsbewertung gemäß Anhang VI der Richtlinie 2000/14/EG durchgeführt.

Huskvarna, 2021-10-30



Claes Losdal, Entwicklungsleiter/Gartenprodukte  
(Bevollmächtigter Vertreter für Husqvarna AB,  
verantwortlich für die technische Dokumentation)

## Περιεχόμενα

Εισαγωγή.....	114	Αντιμετώπιση προβλημάτων.....	132
Ασφάλεια.....	117	Μεταφορά, αποθήκευση και απόρριψη.....	134
Συναρμολόγηση.....	126	Τεχνικά στοιχεία.....	135
Λειτουργία.....	127	Δήλωση Συμμόρφωσης ΕΚ.....	137
Συντήρηση.....	130		

## Εισαγωγή

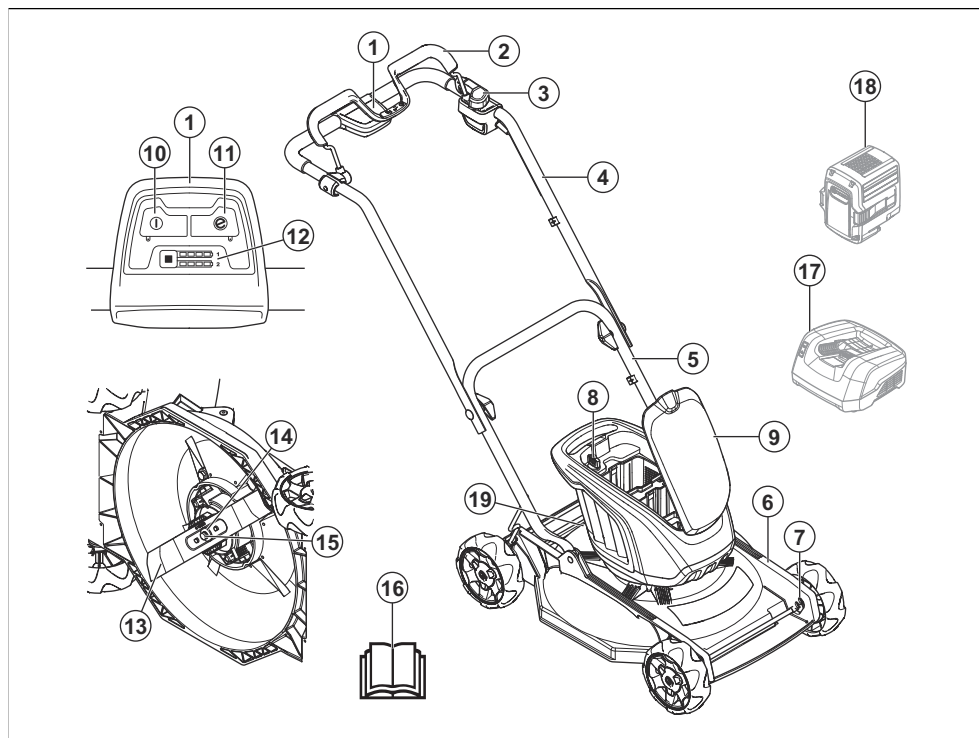
### Περιγραφή προϊόντος

Το προϊόν είναι ένα χλοοκοπτικό γκαζόν πεζού χειριστή με κύλινδρο, που χρησιμοποιεί το BioClip για να κόψει το γρασίδι σε σύνθετη λιπάσματος.

### Προβλεπόμενη χρήση

Χρησιμοποιήστε το προϊόν για την κοπή γρασιδιού. Μην χρησιμοποιείτε το προϊόν για άλλες εργασίες.

### Επισκόπηση προϊόντος



- |                                 |  |
|---------------------------------|--|
| 1. Ταμπλό ελέγχου               | 8. Κλειδί ασφαλείας                                |
| 2. Λαβή φρένου κινητήρα         | 9. Κάλυμμα μπαταρίας                               |
| 3. Αναστολέας εκκίνησης         | 10. Κομπι ON/OFF                                   |
| 4. Πάνω λαβή                    | 11. Κομπι εξοικονόμησης SavE                       |
| 5. Κάτω λαβή                    | 12. Ένδειξη φόρτισης μπαταρίας και κομπι μπαταρίας |
| 6. Κάλυμμα κοπής                | 13. Λεπίδα   |
| 7. Στοιχείο ελέγχου ύψους κοπής | 14. Ροδέλα ελατηρίου                               |

15. Βίδα λεπίδας
16. Εγχειρίδιο χρήσης
17. Φορτιστής μπαταρίας (αξεσουάρ)
18. Μπαταρία (αξεσουάρ)
19. Πινακίδα στοιχείων με κωδικό QR

## Σύμβολα στο προϊόν



**Προειδοποίηση:** Η απρόσεκτη ή λανθασμένη χρήση μπορεί να οδηγήσει σε τραυματισμό ή θάνατο του χειριστή ή άλλων ατόμων.



Προτού χρησιμοποιήσετε το προϊόν, διαβάστε προσεκτικά το εγχειρίδιο χρήσης και βεβαιωθείτε ότι έχετε κατανοήσει τις οδηγίες.



Διατηρήστε τα άλλα άτομα και τα ζώα σε απόσταση ασφαλείας από την περιοχή εργασίας.



Προσέχετε για αντικείμενα που μπορεί να εκτοξευθούν ή να εξοστρακιστούν.



**Προειδοποίηση:** Να διατηρείτε τα χέρια και τα πόδια σας μακριά από την περιστρεφόμενη λεπίδα.



**Προειδοποίηση:** Να διατηρείτε τα χέρια και τα πόδια σας μακριά από κινούμενα μέρη.



Αφαιρέστε το κλειδί ασφαλείας προτού εκτελέσετε εργασίες επισκευής ή συντήρησης.



Αποφύγετε την έκθεση στη βροχή



Το προϊόν ή η συσκευασία του προϊόντος δεν αποτελεί οικιακό απόρριμμα. Ανακυκλώστε το σε κέντρο ανακύκλωσης ηλεκτρικού και ηλεκτρονικού εξοπλισμού.



Το προϊόν συμμορφώνεται με τις ισχύουσες οδηγίες ΕΚ.



Το προϊόν συμμορφώνεται με τις ισχύουσες οδηγίες της Ευρασιατικής Τελωνειακής Ένωσης.



Το προϊόν συμμορφώνεται με τις ισχύουσες οδηγίες της UkrSEPRO.



Το προϊόν συμμορφώνεται με τις οδηγίες της ACA (σήμανση RCM). Ισχύει για Αυστραλία/Νέα Ζηλανδία μόνο



Εκπομπές θορύβου στο περιβάλλον σύμφωνα με την Οδηγία της Ευρωπαϊκής Κοινότητας. Οι εκπομπές του προϊόντος ορίζονται στο κεφάλαιο "Τεχνικά στοιχεία", καθώς και στην πινακίδα του.

**IPX1** IPX1 - Προστασία από σταγόνες νερού



Διαδικασία εκκίνησης: Πιέστε το κουμπί ON/OFF, χαλαρώστε τον αναστολέα εκκίνησης, πιέστε προς τα κάτω τη λαβή του φρένου κινητήρα.



Για να διακόψετε τη λειτουργία, αφήστε τη λαβή του φρένου κινητήρα.

**Περιεχόμενα** Άλλα σύμβολα/σήματα που υπάρχουν στο προϊόν αναφέρονται σε απαιτήσεις πιστοποίησης για ορισμένες αγορές.

## Ετικέτα στο προϊόν



ΚΙΝΔΥΝΟΣ – Μην πλησιάζετε τα χέρια και τα πόδια σας.

## Ευθύνη προϊόντος

Όπως αναφέρεται στη νομοθεσία περί ευθύνης για τα προϊόντα, δεν φέρουμε καμία ευθύνη για ζημιές που οφείλονται στο προϊόν μας εάν:

- Το προϊόν έχει επισκευαστεί λανθασμένα.
- Το προϊόν έχει επισκευαστεί με εξαρτήματα που δεν προέρχονται από τον κατασκευαστή ή που δεν έχουν εγκριθεί από τον κατασκευαστή.
- Το προϊόν διαθέτει ένα αξεσουάρ που δεν προέρχεται από τον κατασκευαστή ή που δεν έχει εγκριθεί από τον κατασκευαστή.
- Το προϊόν δεν έχει επισκευαστεί σε εγκεκριμένο

κέντρο σέρβις ή από  
εγκεκριμένη αρχή.

---

## Ασφάλεια

---

### Ορισμοί για την ασφάλεια

Για την επισήμανση ειδικών σημαντικών τμημάτων του εγχειριδίου χρησιμοποιούνται προειδοποιήσεις, συστάσεις προσοχής και σημειώσεις.



#### **ΠΡΟΕΙΔΟΠΟΙΗΣΗ:**

Χρησιμοποιείται όταν υπάρχει κίνδυνος τραυματισμού ή θανάτου του χειριστή ή άλλων παριστάμενων ατόμων, αν δεν τηρηθούν οι οδηγίες που παρέχονται στο εγχειρίδιο.



#### **ΠΡΟΣΟΧΗ:**

Χρησιμοποιείται όταν υπάρχει κίνδυνος πρόκλησης ζημιάς στο προϊόν, σε άλλα υλικά ή στον παρακείμενο χώρο, αν δεν τηρηθούν οι οδηγίες που παρέχονται στο εγχειρίδιο.

---

**Περιεχόμενα** Χρησιμοποιείται για παροχή περισσότερων πληροφοριών, οι οποίες

χρειάζονται σε μια δεδομένη κατάσταση.

### Γενικές οδηγίες ασφαλείας



#### **ΠΡΟΕΙΔΟΠΟΙΗΣΗ:**

Προτού χρησιμοποιήσετε το προϊόν, διαβάστε τις παρακάτω προειδοποιητικές οδηγίες.

- Αυτό το προϊόν είναι επικίνδυνο αν δεν χρησιμοποιηθεί σωστά ή αν δεν είστε προσεκτικοί. Αν δεν τηρείτε τις οδηγίες ασφαλείας, μπορεί να προκληθεί τραυματισμός ή θάνατος.
- Αυτό το προϊόν παράγει ηλεκτρομαγνητικό πεδίο κατά τη λειτουργία του. Το πεδίο αυτό, υπό ορισμένες συνθήκες, μπορεί να προκαλέσει παρεμβολές σε ενεργά ή παθητικά ιατρικά εμφυτεύματα. Για να μειωθεί ο κίνδυνος σοβαρών ή θανατηφόρων τραυματισμών, συνιστούμε στα άτομα με ιατρικά εμφυτεύματα να συμβουλευούνται το θεράποντα

ιατρό τους και τον κατασκευαστή του ιατρικού εμφυτεύματος, προτού θέσουν το προϊόν σε λειτουργία.

- Πρέπει πάντα να προσέχετε και να χρησιμοποιείτε την κοινή λογική. Αν δεν είστε βέβαιοι πώς να χειριστείτε το προϊόν σε μια ιδιαίτερη κατάσταση, σταματήστε και μιλήστε με τον αντιπρόσωπο της Husqvarna προτού συνεχίσετε.
- Πρέπει να θυμάστε ότι ο χειριστής θεωρείται υπεύθυνος για ατυχήματα που μπορεί να προκληθούν σε άλλα άτομα ή στην παρουσία τους.
- Να διατηρείτε το προϊόν καθαρό. Βεβαιωθείτε ότι μπορείτε να διαβάσετε καθαρά τις ενδείξεις και τα σήματα.
- Μην επιτρέπετε ποτέ σε παιδιά ή άλλα άτομα, που δεν έχουν εξοικειωθεί με αυτές τις οδηγίες, να χρησιμοποιήσουν τη συσκευή. Οι τοπικές διατάξεις μπορεί να θέτουν περιορισμούς στην ηλικία του χρήστη
- Αν το προϊόν χρησιμοποιείται από ένα άτομο με μειωμένη σωματική ή διανοητική ικανότητα, θα πρέπει πάντα να το επιβλέπετε. Πρέπει να είναι

παρών ένας υπεύθυνος ενήλικας ανά πάσα στιγμή.

- Μην χρησιμοποιείτε το προϊόν αν είστε κουρασμένοι, άρρωστοι ή υπό την επήρεια αλκοόλ, ναρκωτικών ή φαρμάκων. Αυτά έχουν αρνητικές συνέπειες στην όραση, την αυτοσυγκέντρωση, τον συντονισμό και την κρίση σας.
- Μην χρησιμοποιείτε το προϊόν αν είναι ελαττωματικό.
- Μην τροποποιείτε το προϊόν και μην το χρησιμοποιείτε αν είναι εμφανές ότι έχει τροποποιηθεί από άλλους.

## Ασφάλεια στο χώρο εργασίας

---



### ΠΡΟΕΙΔΟΠΟΙΗΣΗ:

Προτού χρησιμοποιήσετε το προϊόν, διαβάστε τις παρακάτω προειδοποιητικές οδηγίες.

---

- Αφαιρέστε αντικείμενα όπως κλαδιά, κλωνάρια και πέτρες από την περιοχή εργασίας πριν χρησιμοποιήσετε το προϊόν.
- Τα αντικείμενα που χτυπούν πάνω στον εξοπλισμό κοπής μπορεί να πεταχτούν και να προκαλέσουν ζημιές σε πρόσωπα και αντικείμενα. Να

διατηρείτε τους παρευρισκόμενους και τα ζώα σε απόσταση ασφαλείας από το προϊόν.

- Μην χρησιμοποιείτε ποτέ το προϊόν σε κακές καιρικές συνθήκες, όπως ομίχλη, βροχή, ισχυρό άνεμο, έντονο κρύο και κίνδυνο κεραυνού. Η χρήση του προϊόντος σε κακές καιρικές συνθήκες, σε συνθήκες υγρασίας ή σε υγρές τοποθεσίες είναι εξαιρετικά κουραστική. Οι κακές καιρικές συνθήκες μπορεί να προκαλέσουν επικίνδυνες καταστάσεις, όπως ολισθηρές επιφάνειες.
- Να προσέχετε για πρόσωπα, αντικείμενα και καταστάσεις που μπορεί να αποτρέψουν την ασφαλή λειτουργία του προϊόντος.
- Να προσέχετε για εμπόδια, όπως ρίζες, πέτρες, κλωνάρια, λακκούβες και χαντάκια. Το μακρύ γρασίδι μπορεί να κρύβει εμπόδια.
- Η κοπή χόρτου σε πλαγιές μπορεί να είναι επικίνδυνη. Μην εκτελείτε χλοοκοπή σε υπερβολικά απότομες πλαγιές. Μην χρησιμοποιείτε το προϊόν σε πλαγιές με κλίση πάνω από 15°.

- Απαιτείται ιδιαίτερη προσοχή κατά την αλλαγή κατεύθυνσης σε πλαγιές. Να κατευθύνετε το προϊόν κατά πλάτος στις επιφάνειες με κλίση. Να μην μετακινείστε προς τα πάνω και προς τα κάτω.
- Να είστε ιδιαίτερα προσεκτικοί κοντά σε κρυφές γωνίες και αντικείμενα που εμποδίζουν το οπτικό σας πεδίο.

## Ασφάλεια στην εργασία



### ΠΡΟΕΙΔΟΠΟΙΗΣΗ:

Προτού χρησιμοποιήσετε το προϊόν, διαβάστε τις παρακάτω προειδοποιητικές οδηγίες.

- Να χρησιμοποιείτε το προϊόν μόνο για την κοπή χόρτου γκαζόν. Δεν επιτρέπεται η χρήση του για άλλες εργασίες.
- Χρησιμοποιείτε ατομικό προστατευτικό εξοπλισμό. Ανατρέξτε στην ενότητα *Προσωπικός εξοπλισμός προστασίας στη σελίδα 121*.
- Βεβαιωθείτε ότι γνωρίζετε πώς να σταματήσετε τον κινητήρα γρήγορα σε περίπτωση έκτακτης ανάγκης.
- Μην χρησιμοποιείτε το προϊόν σε συνθήκες βροχής ή υγρασίας. Αν εισέλθει νερό στο

- προϊόν, αυξάνεται ο κίνδυνος ηλεκτροπληξίας.
- Μην λειτουργείτε το προϊόν αν δεν είναι σωστά συνδεδεμένη η λεπίδα και όλα τα καλύμματα. Αν η λεπίδα δεν είναι σωστά συνδεδεμένη, μπορεί να χαλαρώσει και να προκληθεί προσωπικός τραυματισμός.
  - Να βεβαιώνετε ότι ο δίσκος δεν χτυπάει αντικείμενα, όπως πέτρες και ρίζες. Αυτό μπορεί να προκαλέσει ζημιά στη λεπίδα και να λυγίσει τον άξονα του κινητήρα. Ο λυγισμένος άξονας προκαλεί ισχυρή δόνηση και πολύ υψηλό κίνδυνο χαλάρωσης της λεπίδας.
  - Σε περίπτωση πρόσκρουσης της λεπίδας σε αντικείμενο ή αν διαπιστώσετε κραδασμούς, διακόψτε αμέσως τη λειτουργία του προϊόντος. Σβήστε τον κινητήρα, γυρίστε το κλειδί ασφαλείας στη θέση "0" και αφαιρέστε την μπαταρία. Ελέγξτε το προϊόν για ζημιές. Επισκευάστε τις ζημιές ή αναθέστε την επισκευή σε έναν εξουσιοδοτημένο αντιπρόσωπο σέρβις.
  - Μην συνδέετε ποτέ μόνιμα τη λαβή φρένου του κινητήρα στη λαβή όταν έχει εκκινηθεί ο κινητήρας.
  - Τοποθετήστε το προϊόν σε μια σταθερή, επίπεδη επιφάνεια και εκκινήστε το. Να βεβαιώνετε ότι η λεπίδα δεν χτυπάει στο έδαφος ή σε άλλα αντικείμενα.
  - Να παραμένετε πάντα πίσω από το προϊόν κατά τη λειτουργία.
  - Κατά τη λειτουργία του προϊόντος, θα πρέπει όλοι οι τροχοί να ακουμπούν στο έδαφος και να διατηρείτε και τα 2 χέρια πάνω στη λαβή. Διατηρήστε τα χέρια και τα πόδια σας μακριά από τις περιστρεφόμενες λεπίδες.
  - Μην γέρνετε το προϊόν όταν έχει εκκινηθεί ο κινητήρας.
  - Να είστε προσεκτικοί όταν τραβάτε το προϊόν προς τα πίσω.
  - Μην ανασηκώνετε ποτέ το προϊόν όταν έχει εκκινηθεί ο κινητήρας. Αν πρέπει να ανασηκώσετε το προϊόν, σβήστε πρώτα τον κινητήρα, γυρίστε το κλειδί ασφαλείας στη θέση "0" και αφαιρέστε την μπαταρία.
  - Μην περπατάτε προς τα πίσω όταν χρησιμοποιείτε το προϊόν.
  - Σβήστε τον κινητήρα όταν κινείστε σε περιοχές χωρίς χόρτα, για παράδειγμα



μονοπάτια από χαλίκι, πέτρα και άσφαλτο.

- Μην τρέχετε με το προϊόν όταν έχει εκκινήθει ο κινητήρας. Να περπατάτε πάντα προς τα εμπρός όταν χρησιμοποιείτε το προϊόν.
- Σβήστε τον κινητήρα προτού αλλάξετε το ύψος κοπής. Μην προβαίνετε ποτέ σε ρυθμίσεις ενώ έχει εκκινήσει ο κινητήρας.
- Μην αφήνετε ποτέ το προϊόν εκτός του οπτικού σας πεδίου ενώ έχει εκκινήσει ο κινητήρας. Βεβαιωθείτε ότι ο εξοπλισμός κοπής δεν περιστρέφεται, προτού σβήσετε τον κινητήρα.

## Οδηγίες ασφαλείας για τη λειτουργία Προσωπικός εξοπλισμός προστασίας



### ΠΡΟΕΙΔΟΠΟΙΗΣΗ:

Προτού χρησιμοποιήσετε το προϊόν, διαβάστε τις παρακάτω προειδοποιητικές οδηγίες.

- Ο προσωπικός εξοπλισμός προστασίας δεν μπορεί να εξαλείψει τον κίνδυνο τραυματισμών, ωστόσο μειώνει τη σοβαρότητά τους σε περίπτωση ατυχήματος. Ο αντιπρόσωπος θα σας

βοηθήσει να επιλέξετε το σωστό εξοπλισμό.

- Να χρησιμοποιείτε αντιολισθητικές μπότες ή παπούτσια βαρέος τύπου. Να μην χρησιμοποιείτε το προϊόν με ανοιχτά παπούτσια ή ξυπόλυτοι.
- Χρησιμοποιήστε χοντρά, μακριά παντελόνια.
- Όταν χρειάζεται, να χρησιμοποιείτε προστατευτικά γάντια, για παράδειγμα κατά την τοποθέτηση, την επιθεώρηση ή τον καθαρισμό του εξοπλισμού κοπής.

## Συσκευές ασφαλείας στο προϊόν



**ΠΡΟΕΙΔΟΠΟΙΗΣΗ:** Προτού χρησιμοποιήσετε το προϊόν, διαβάστε τις παρακάτω προειδοποιητικές οδηγίες.

- Μην χρησιμοποιείτε ποτέ το προϊόν, αν υπάρχουν ελαττωματικές συσκευές ασφαλείας.
- Πρέπει να κάνετε τακτικά έλεγχο των συσκευών ασφαλείας. Αν οι συσκευές ασφαλείας είναι ελαττωματικές, απευθυνθείτε στον αντιπρόσωπο σέρβις της Husqvarna.

### Για τον έλεγχο του καλύμματος κοπής

Το κάλυμμα κοπής μειώνει τους κραδασμούς στο προϊόν και μειώνεται ο κίνδυνος τραυματισμού από τη λεπίδα.

- Εξετάστε το κάλυμμα κοπής για να βεβαιωθείτε ότι δεν υπάρχουν φθορές όπως ρωγμές.

### Κλειδί ασφαλείας

Το κλειδί ασφαλείας βρίσκεται κάτω από το καπάκι της μπαταρίας. Το κλειδί ασφαλείας συνδέει την μπαταρία που τροφοδοτεί με ρεύμα τον κινητήρα.

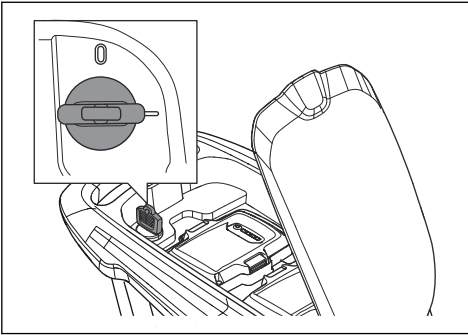
- Για να ελέγξετε το κλειδί ασφαλείας, εκκινήστε και σβήστε τον κινητήρα.
- Αν το κλειδί ασφαλείας λειτουργεί σωστά, ο κινητήρας μπορεί να εκκινήσει μόνο όταν το κλειδί ασφαλείας βρίσκεται στη θέση 1.

## Ασφάλεια μπαταρίας



### ΠΡΟΕΙΔΟΠΟΙΗΣΗ:

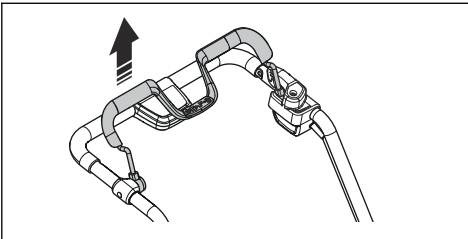
Προτού χρησιμοποιήσετε το προϊόν, διαβάστε τις παρακάτω προειδοποιητικές οδηγίες.



### Λαβή φρένου κινητήρα

Χρησιμοποιήστε τη λαβή φρένου του κινητήρα, για να σβήσετε τον κινητήρα. Εάν απελευθερώσετε τη λαβή φρένου του κινητήρα, ο κινητήρας σβήνει.

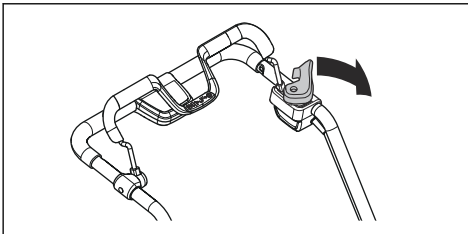
Για να ελέγξετε το φρένο του κινητήρα, εκκινήστε τον κινητήρα και, στη συνέχεια, απελευθερώστε τη λαβή φρένου του κινητήρα. Αν ο κινητήρας δεν σβήσει εντός 3 δευτερολέπτων, απευθυνθείτε σε έναν εγκεκριμένο αντιπρόσωπο σέρβις της Husqvarna για τη ρύθμιση του φρένου του κινητήρα.



### Έλεγχος αναστολέα εκκίνησης

Ελέγξτε τον αναστολέα εκκίνησης για να βεβαιωθείτε ότι εμποδίζει τη λειτουργία του κινητήρα.

1. Σπρώξτε τη λαβή φρένου του κινητήρα προς την κατεύθυνση της χειρολαβής. Ο αναστολέας εκκίνησης σταματά να κινείται.
2. Σπρώξτε τον αναστολέα εκκίνησης προς τα έξω.



3. Αφήστε τον αναστολέα εκκίνησης και βεβαιωθείτε ότι επιστρέφει στην αρχική του θέση.

- Χρησιμοποιείτε επαναφορτιζόμενες μπαταρίες της Husqvarna ως πηγή ηλεκτρικής ισχύος μόνο για τα σχετικά προϊόντα της Husqvarna. Για την αποφυγή τραυματισμών, μην χρησιμοποιείτε την μπαταρία ως πηγή ηλεκτρικής ισχύος για άλλες συσκευές.
- Μην χρησιμοποιείτε μη επαναφορτιζόμενες μπαταρίες.
- Κίνδυνος ηλεκτροπληξίας. Μη συνδέετε τους ακροδέκτες της μπαταρίας σε κλειδιά, νομίσματα, βίδες ή άλλα μεταλλικά αντικείμενα. Αυτό μπορεί να προκαλέσει βραχυκύκλωμα της μπαταρίας.
- Μην τοποθετείτε αντικείμενα μέσα στις εγκοπές αερισμού της μπαταρίας.
- Διατηρείτε την μπαταρία μακριά από την ηλιακή ακτινοβολία, τη θερμότητα ή τις γυμνές φλόγες. Η μπαταρία μπορεί να εκραγεί και να

προκαλέσει εγκαύματα ή/και χημικά εγκαύματα.

- Διατηρείτε την μπαταρία μακριά από συνθήκες βροχής και υγρασίας.
- Διατηρείτε την μπαταρία μακριά από πηγές μικροκυμάτων και υψηλής πίεσης.
- Μην προσπαθήσετε να αποσυναρμολογήσετε ή να διαλύσετε την μπαταρία.
- Αν η μπαταρία εμφανίσει διαρροή, φροντίστε το υγρό να μην έρθει σε επαφή με το δέρμα ή τα μάτια σας. Αν έρθετε σε επαφή με το υγρό, καθαρίστε την περιοχή με μεγάλη ποσότητα νερού και ζητήστε ιατρική βοήθεια.
- Χρησιμοποιείτε την μπαταρία σε θερμοκρασίες μεταξύ -10 °C και 40 °C.
- Μην καθαρίζετε την μπαταρία ή το φορτιστή μπαταρίας με νερό. Ανατρέξτε στην ενότητα *Για να καθαρίσετε την μπαταρία και το φορτιστή μπαταρίας στη σελίδα 131.*
- Μην χρησιμοποιείτε ελαττωματικές ή κατεστραμμένες μπαταρίες.
- Φυλάσσετε τις μπαταρίες μακριά από μεταλλικά αντικείμενα, όπως καρφιά, νομίσματα και κοσμήματα.

## Ασφάλεια φορτιστή μπαταρίας

---



### ΠΡΟΕΙΔΟΠΟΙΗΣΗ:

Προτού χρησιμοποιήσετε το προϊόν, διαβάστε τις παρακάτω προειδοποιητικές οδηγίες.

---

- Χρησιμοποιείτε τους φορτιστές μπαταρίας QC για να φορτίζετε μόνο τις ανταλλακτικές μπαταρίες της Husqvarna.
- Κίνδυνος ηλεκτροπληξίας ή βραχυκυκλώματος. Μην τοποθετείτε αντικείμενα μέσα στις εγκοπές αερισμού του φορτιστή. Μην επιχειρείτε να αποσυναρμολογήσετε το φορτιστή μπαταρίας. Μην συνδέετε ποτέ τους ακροδέκτες του φορτιστή σε μεταλλικά αντικείμενα. Χρησιμοποιήστε μια εγκεκριμένη πρίζα.
- Αυτό το προϊόν παράγει ηλεκτρομαγνητικό πεδίο κατά τη λειτουργία του. Το πεδίο αυτό, υπό ορισμένες συνθήκες, μπορεί να προκαλέσει παρεμβολές σε ενεργά ή παθητικά ιατρικά εμφυτεύματα. Προκειμένου να μειωθεί ο κίνδυνος παθήσεων που μπορεί να προκαλέσουν τραυματισμό ή θάνατο,

συνιστούμε στα άτομα με ιατρικά εμφυτεύματα να συμβουλευτούν το θεράποντα ιατρό τους και τον κατασκευαστή του ιατρικού εμφυτεύματος, πριν να θέσουν το προϊόν σε λειτουργία.

- Να βεβαιώνετε τακτικά ότι το καλώδιο ρεύματος του φορτιστή της μπαταρίας δεν έχει υποστεί ζημιά και ότι δεν παρουσιάζει ρωγμές.
- Μην σηκώνετε το φορτιστή μπαταρίας από το καλώδιο ρεύματος. Για να αποσυνδέσετε το φορτιστή της μπαταρίας από την πρίζα, τραβήξτε το βύσμα. Μην τραβάτε το καλώδιο.
- Διατηρείτε το καλώδιο ρεύματος και το καλώδιο επέκτασης μακριά από νερό, λάδι και αιχμηρές γωνίες. Βεβαιωθείτε ότι το καλώδιο δεν έχει μαγκώσει σε πόρτες, φράκτες ή παρόμοια σημεία. Μπορεί να προκληθεί κίνδυνος τροφοδοσίας ρεύματος στο φορτιστή.
- Μην καθαρίζετε τον φορτιστή μπαταρίας με νερό.
- Ο φορτιστής της μπαταρίας μπορεί να χρησιμοποιηθεί από παιδιά ηλικίας από 8 ετών και άνω και από άτομα με περιορισμένες σωματικές,

αισθητήριες ή διανοητικές ικανότητες ή από άτομα χωρίς εμπειρία και γνώση, εφόσον τον χρησιμοποιούν υπό επιτήρηση ή έχουν λάβει οδηγίες σχετικά με την ασφαλή χρήση του και κατανοούν τους κινδύνους που ενέχονται. Τα παιδιά δεν πρέπει να παίζουν με το φορτιστή της μπαταρίας. Τα παιδιά δεν πρέπει να εκτελούν εργασίες καθαρισμού και συντήρησης χωρίς επίβλεψη.

- Μην φορτίζετε μη επαναφορτιζόμενες μπαταρίες με το φορτιστή της μπαταρίας.
- Μη χρησιμοποιείτε το φορτιστή μπαταρίας κοντά σε εύφλεκτα υλικά ή υλικά που μπορούν να προκαλέσουν διάβρωση. Μην καλύπτετε το φορτιστή μπαταρίας. Σε περίπτωση έκλυσης καπνού ή πυρκαγιάς, βγάλτε το φορτιστή μπαταρίας από την πρίζα.
- Μη χρησιμοποιείτε φορτιστή μπαταρίας που παρουσιάζει ελάττωμα ή έχει υποστεί ζημιά.
- Φορτίζετε την μπαταρία μόνο σε εσωτερικό και καλά αεριζόμενο χώρο μακριά από την ηλιακή ακτινοβολία. Μην φορτίζετε την μπαταρία σε συνθήκες υγρασίας.

## Οδηγίες ασφαλείας για τη συντήρηση



### ΠΡΟΕΙΔΟΠΟΙΗΣΗ:

Προτού χρησιμοποιήσετε το προϊόν, διαβάστε τις παρακάτω προειδοποιητικές οδηγίες.

- Για την αποφυγή ακούσιας εκκίνησης κατά τις εργασίες συντήρησης, γυρίστε το κλειδί ασφαλείας στη θέση "0" και αφαιρέστε την μπαταρία. Περιμένετε τουλάχιστον για 5 δευτερόλεπτα προτού ξεκινήσετε τις εργασίες συντήρησης.
- Να εκτελείτε σωστά τις εργασίες συντήρησης για να αυξήσετε τη διάρκεια ζωής του προϊόντος και να μειώσετε τον κίνδυνο ατυχημάτων. Να αναθέτετε τις επαγγελματικές επισκευές σε έναν εγκεκριμένο αντιπρόσωπο σέρβις. Επικοινωνήστε με τον πλησιέστερο αντιπρόσωπο σέρβις για περισσότερες πληροφορίες.
- Να πραγματοποιείτε μόνο τις εργασίες συντήρησης που περιλαμβάνονται στο παρόν εγχειρίδιο χρήσης. Οι εκτεταμένες εργασίες πρέπει να εκτελούνται από εγκεκριμένο αντιπρόσωπο σέρβις.
- Φοράτε ανθεκτικά γάντια όταν χρησιμοποιείτε τον εξοπλισμό κοπής. Η λεπίδα είναι πολύ κοφτερή και μπορεί εύκολα να κοπείτε.
- Διατηρείτε την κοπτική ακμή αιχμηρή και καθαρή για καλύτερη απόδοση και μεγαλύτερη ασφάλεια.
- Να αναθέτετε στον αντιπρόσωπο σέρβις να ελέγχει συχνά το προϊόν και να κάνει τις απαραίτητες ρυθμίσεις και επισκευές.
- Να αντικαθιστάτε τυχόν κατεστραμμένα, φθαρμένα ή σπασμένα εξαρτήματα.
- Τηρείτε τις οδηγίες για την αλλαγή των αξεσουάρ. Χρησιμοποιήστε μόνο αξεσουάρ του κατασκευαστή.
- Αποθηκεύετε το προϊόν, την μπαταρία και τον φορτιστή μπαταρίας ξεχωριστά σε κλειδωμένο εσωτερικό χώρο χωρίς υγρασία, όταν δεν τα χρησιμοποιείτε. Βεβαιωθείτε ότι τα παιδιά και τα μη εξουσιοδοτημένα άτομα δεν έχουν πρόσβαση στο προϊόν, την μπαταρία ή τον φορτιστή μπαταρίας.

## Συναρμολόγηση

### Εισαγωγή



**ΠΡΟΕΙΔΟΠΟΙΗΣΗ:** Πριν συναρμολογήσετε το προϊόν, διαβάστε το κεφάλαιο για την ασφάλεια.



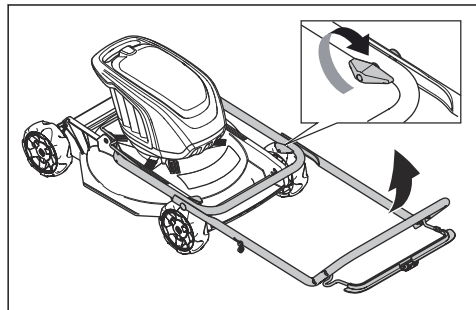
**ΠΡΟΕΙΔΟΠΟΙΗΣΗ:** Για την αποφυγή ακούσιας εκκίνησης κατά τη συναρμολόγηση, γυρίστε το κλειδί ασφαλείας στη θέση "0", αφαιρέστε την μπαταρία και περιμένετε τουλάχιστον για 5 δευτερόλεπτα.

### Για να συναρμολογήσετε την λαβή

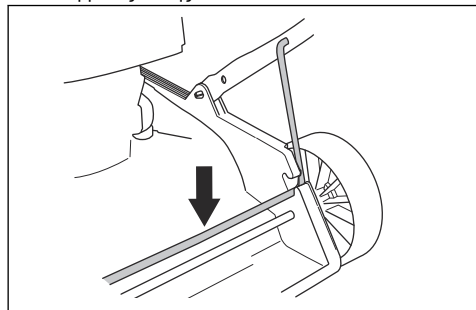


**ΠΡΟΣΟΧΗ:** Μην συστρέψετε τα καλώδια.

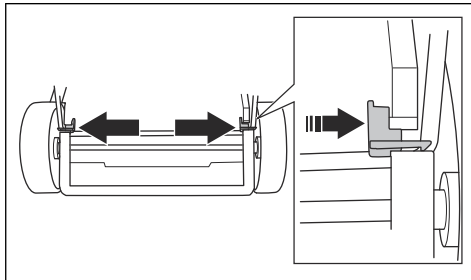
1. Ευθυγραμμίστε τις σπές στην επάνω λαβή με τις σπές στην κάτω λαβή.
2. Σφίξτε πλήρως τα κουμπιά στη δεξιά και την αριστερή πλευρά και διπλώστε τη λαβή προς τα πάνω.



3. Τοποθετήστε το στήριγμα στην υποδοχή του καλύμματος κοπής.



4. Τοποθετήστε τα 2 στοπ που ασφαλίζουν το στήριγμα και τη λαβή. Σπρώξτε τα πλήρως στη θέση τους.



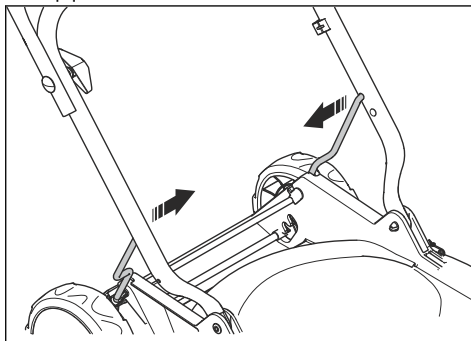
**Περιεχόμενα** Υπάρχουν 2 στοπ: ένα με την ένδειξη H και ένα με την ένδειξη V. Τοποθετήστε το στοπ με το H στη δεξιά πλευρά και το στοπ με το V στην αριστερή.



**ΠΡΟΣΟΧΗ:** Μην χρησιμοποιείτε το προϊόν αν δεν είναι συνδεδεμένα και τα 2 στοπ.

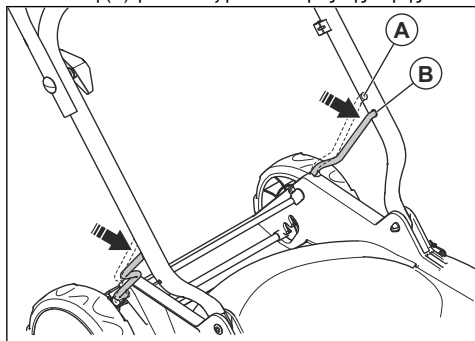
### Ρύθμιση του ύψους της λαβής

1. Αφαιρέστε το στήριγμα της λαβής από την κάτω λαβή.



- a) Τοποθετήστε το στήριγμα της λαβής στην επάνω σπή (A) για να μειώσετε το ύψος της λαβής.

- b) Τοποθετήστε το στήριγμα της λαβής στην κάτω οπή (A) για να αυξήσετε το ύψος της λαβής.



## Λειτουργία

### Εισαγωγή



**ΠΡΟΕΙΔΟΠΟΙΗΣΗ:** Προτού χρησιμοποιήσετε το προϊόν, πρέπει να διαβάσετε και να κατανοήσετε το κεφάλαιο για την ασφάλεια.

### Husqvarna Connect

Η Husqvarna Connect είναι μια δωρεάν εφαρμογή για τη φορητή συσκευή σας. Η εφαρμογή Husqvarna Connect παρέχει εκτεταμένες λειτουργίες για το προϊόν σας Husqvarna:

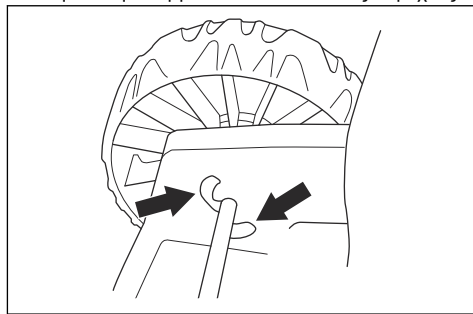
- Περισσότερες πληροφορίες για το προϊόν.
- Πληροφορίες και βοήθεια για τα ανταλλακτικά και το σέρβις του προϊόντος.

### Για να αρχίσετε να χρησιμοποιείτε το προϊόν Husqvarna Connect

1. Κατεβάστε την εφαρμογή Husqvarna Connect στη φορητή συσκευή σας.
2. Εγγραφείτε στην εφαρμογή Husqvarna Connect.
3. Ακολουθήστε τα βήματα με τις οδηγίες που θα βρείτε στην εφαρμογή Husqvarna Connect για να συνδέσετε και να δηλώσετε το προϊόν.

### Για να ρυθμίσετε το ύψος κοπής

- Πιέστε τον άξονα προς τα έξω και μετακινήστε τον στη σωστή θέση για κάθε έναν από τους 4 τροχούς.



**ΠΡΟΣΟΧΗ:** Μην ρυθμίζετε το ύψος κοπής πολύ χαμηλά. Οι λεπίδες μπορεί να χτυπήσουν στο έδαφος αν η επιφάνεια του χλοοτάπητα δεν είναι επίπεδη.

### Μπαταρία

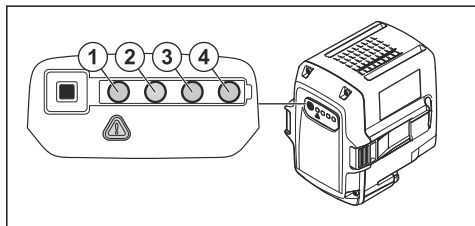


**ΠΡΟΕΙΔΟΠΟΙΗΣΗ:** Προτού χρησιμοποιήσετε την μπαταρία, πρέπει να διαβάσετε και να κατανοήσετε το κεφάλαιο σχετικά με την ασφάλεια. Πρέπει επίσης να διαβάσετε και να κατανοήσετε το εγχειρίδιο χρήσης για την μπαταρία και τον φορτιστή της μπαταρίας.

### Κατάσταση μπαταρίας

Στην οθόνη εμφανίζονται η εναπομένουσα χωρητικότητα της μπαταρίας και τυχόν προβλήματα της μπαταρίας. Η χωρητικότητα της μπαταρίας εμφανίζεται για 5 δευτερόλεπτα μετά την απενεργοποίηση του προϊόντος ή

το πάτημα του κουμπιού της ένδειξης μπαταρίας. Το προειδοποιητικό σύμβολο στην μπαταρία ανάβει όταν παρουσιαστεί σφάλμα. Ανατρέξτε στην ενότητα *Μπαταρία στη σελίδα 132*.



Ενδεικτικές λυχνίες LED	Κατάσταση μπαταρίας
Όλες οι ενδεικτικές λυχνίες LED είναι αναμμένες	Πλήρως φορτισμένη (75-100%)
Οι ενδεικτικές λυχνίες LED 1, LED 2, LED 3 είναι αναμμένες	Η μπαταρία είναι φορτισμένη κατά 50%-75%
Οι ενδεικτικές λυχνίες LED 1, LED 2 είναι αναμμένες	Η μπαταρία είναι φορτισμένη κατά 25%-50%
Η ενδεικτική λυχνία LED 1 είναι αναμμένη	Η μπαταρία είναι φορτισμένη κατά 0%-25%.
Η ενδεικτική λυχνία LED 1 αναβοσβήνει	Η μπαταρία είναι άδεια. Φορτίστε την μπαταρία.

## Φόρτιση της μπαταρίας

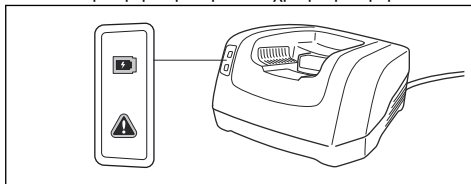
Φορτίστε την μπαταρία πριν από την πρώτη χρήση. Η μπαταρία είναι φορτισμένη μόνο κατά 30% όταν παρέχεται στον πελάτη.

**Περιεχόμενα** Ο φορτιστής της μπαταρίας πρέπει να συνδέεται σε παροχή με τάση και συχνότητα ίδια με αυτή που ορίζεται στην πινακίδα στοιχείων.

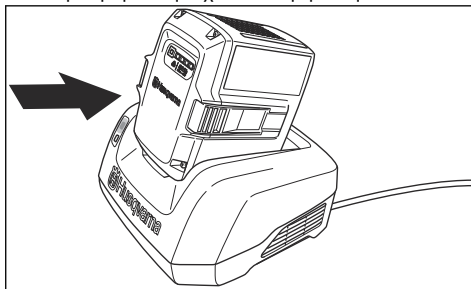
Η φόρτιση της μπαταρίας δεν είναι δυνατή αν η θερμοκρασία της μπαταρίας είναι μεγαλύτερη από 50 °C. Ο φορτιστής της μπαταρίας μειώνει τη θερμοκρασία πριν ξεκινήσει η φόρτιση.

1. Συνδέστε το ένα άκρο του καλωδίου ρεύματος του φορτιστή μπαταρίας στην υποδοχή του φορτιστή μπαταρίας.

2. Συνδέστε το άλλο άκρο του καλωδίου ρεύματος του φορτιστή μπαταρίας σε μια γειωμένη πρίζα. Η ενδεικτική λυχνία LED στον φορτιστή της μπαταρίας θα αναβοσβήσει με πράσινο χρώμα μία φορά.



3. Τοποθετήστε την μπαταρία στο φορτιστή μπαταρίας. Όταν η μπαταρία συνδεθεί σωστά στον φορτιστή, ανάβει η πράσινη λυχνία στον φορτιστή.



4. Η μπαταρία είναι πλήρως φορτισμένη, όταν ανάψουν όλες οι λυχνίες LED στην μπαταρία. Ο μέγιστος χρόνος φόρτισης της μπαταρίας δεν θα πρέπει να υπερβαίνει τις 24 ώρες.
5. Για να αποσυνδέσετε τον φορτιστή της μπαταρίας από την πρίζα, τραβήξτε το φως και όχι το καλώδιο.
6. Αφαιρέστε την μπαταρία από το φορτιστή.

## Κατάσταση φόρτισης της μπαταρίας

Μια μπαταρία ιόντων λιθίου της Husqvarna μπορεί να φορτιστεί ή να χρησιμοποιηθεί σε όλα τα επίπεδα φόρτισης. Δεν προκαλείται ζημιά στην μπαταρία. Μια πλήρως φορτισμένη μπαταρία δεν θα χάσει το φορτίο της όταν παραμείνει στον φορτιστή.

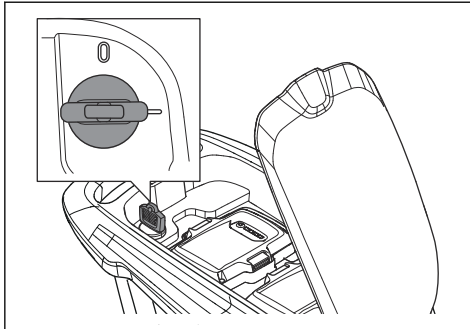
Θόνη LED	Κατάσταση φόρτισης
Η ενδεικτική λυχνία LED 1 αναβοσβήνει	0%-25%
Η ενδεικτική λυχνία LED 1 είναι αναμμένη, η ενδεικτική λυχνία LED 2 αναβοσβήνει	25%-50%
Οι ενδεικτικές λυχνίες LED 1, LED 2 είναι αναμμένες, η ενδεικτική λυχνία LED 3 αναβοσβήνει	50%-75%



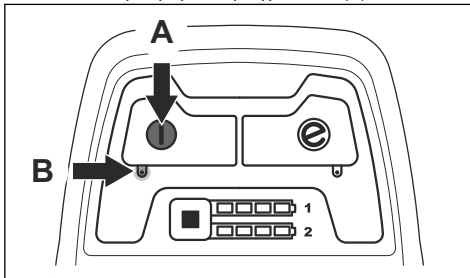
Οθόνη LED	Κατάσταση φόρτισης
Οι ενδεικτικές λυχνίες LED 1, LED 2, LED 3 είναι αναμμένες, η ενδεικτική λυχνία LED 4 αναβοσβήνει	75%-100%
Οι λυχνίες LED 1, LED 2, LED 3, LED 4 είναι αναμμένες	Πλήρως φορτισμένη

## Εκκίνηση προϊόντος

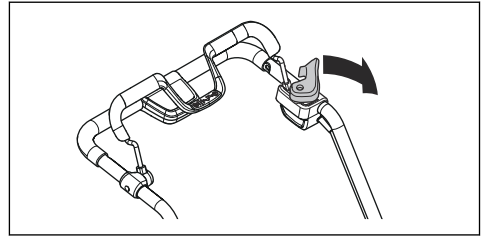
1. Τοποθετήστε μια φορτισμένη μπαταρία μέσα στον χώρο μπαταρίας με αριθμό 1 κάτω από το καπάκι της μπαταρίας. Για μεγαλύτερη διάρκεια λειτουργίας, τοποθετήστε μια δεύτερη φορτισμένη μπαταρία στον χώρο μπαταρίας με αριθμό 2.
2. Γυρίστε το κλειδί ασφαλείας στη θέση "1".



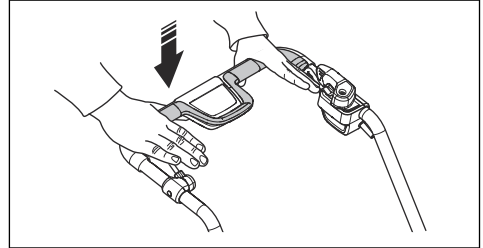
3. Να παραμένετε πίσω από το προϊόν.
4. Πατήστε το κουμπί ON/OFF (A) στο ταμπλό ελέγχου και θα ανάψει η πράσινη λυχνία LED (B).



5. Χαλαρώστε τον αναστολέα εκκίνησης.



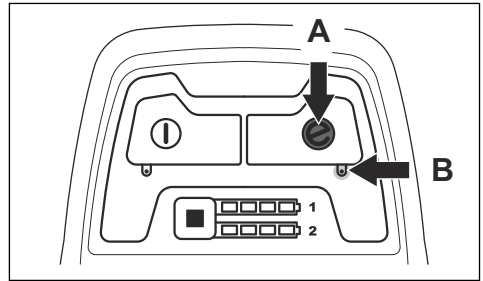
6. Σπρώξτε τη λαβή φρένου του κινητήρα προς την κατεύθυνση της χειρολαβής.



## Χρήση της λειτουργίας εξοικονόμησης SavE (αξεσουάρ)

Το προϊόν διαθέτει μια λειτουργία εξοικονόμησης μπαταρίας (SavE) για μεγαλύτερη διάρκεια λειτουργίας.

1. Πατήστε το κουμπί εξοικονόμησης SavE (A) για να εκκινήσετε τη λειτουργία. Η πράσινη λυχνία LED ανάβει.



2. Πατήστε ξανά το κουμπί εξοικονόμησης SavE για να διακόψετε τη λειτουργία. Η πράσινη λυχνία LED σβήνει.

Η λειτουργία εξοικονόμησης SavE διακόπτεται αυτόματα αν οι συνθήκες εδάφους απαιτούν υψηλότερη απόδοση. Η λειτουργία εξοικονόμησης SavE εκκινείται αυτόματα όταν το επιτρέπουν οι συνθήκες του εδάφους.

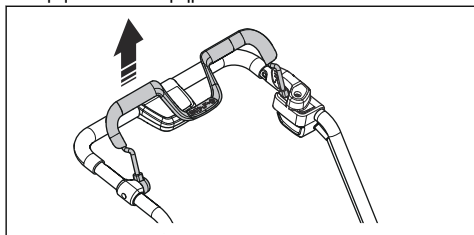
## Λειτουργία υψηλού φορτίου

Οι σ.α.λ. του κινητήρα αυξάνονται αυτόματα, όταν το προϊόν κόβει μακρύ ή νωπό χορτάρι. Ο κινητήρας επιστρέφει σε κανονική λειτουργία όταν δεν απαιτείται υψηλό φορτίο.

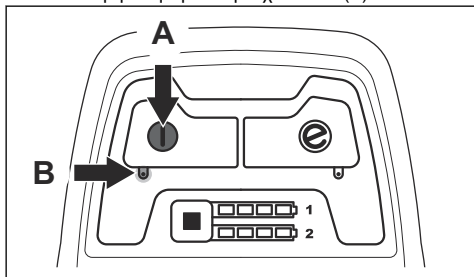
## Διακοπή λειτουργίας του προϊόντος

Το προϊόν σταματά να λειτουργεί, αν δεν το χρησιμοποιήσετε για 10 λεπτά. Να γυρνάτε πάντα το κλειδί ασφαλείας στη θέση "0" προτού αφήσετε το προϊόν εκτός του οπτικού σας πεδίου.

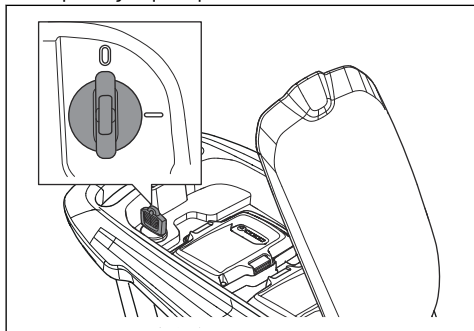
1. Απελευθερώστε τη λαβή φρένου του κινητήρα για να σβήσετε τον κινητήρα.



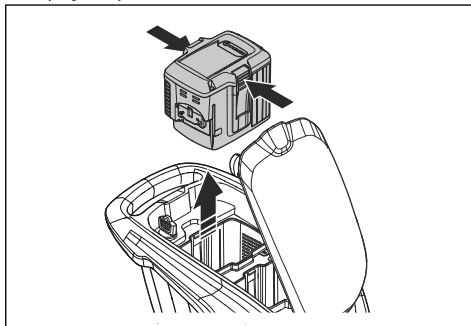
2. Πατήστε το κουμπί ON/OFF (A) στο ταμπλό ελέγχου και θα σβήσει η πράσινη λυχνία LED (B).



3. Ανοίξτε το καπάκι της μπαταρίας και γυρίστε το κλειδί ασφαλείας στη θέση "0".



4. Για να αφαιρέσετε την μπαταρία, πατήστε τα δύο κουμπιά απασφάλισης και τραβήξτε την μπαταρία προς τα έξω.



5. Φορτίστε την μπαταρία, αν η στάθμη φόρτισης είναι πολύ χαμηλή. Για περισσότερες πληροφορίες, ανατρέξτε στην ενότητα *Φόρτιση της μπαταρίας στη σελίδα 128*.

## Για ένα καλό αποτέλεσμα

- Να χρησιμοποιείτε πάντα μια ακονισμένη λεπίδα. Η στομαωμένη λεπίδα δίνει ένα ακανόνιστο αποτέλεσμα και η επιφάνεια κοπής του γρασιδιού γίνεται κίτρινη. Επίσης, η ακονισμένη λεπίδα χρησιμοποιεί λιγότερη ενέργεια από μια στομαωμένη λεπίδα.
- Να μην κόβετε ποτέ πάνω από το 1/3 του μήκους του γρασιδιού. Να κόβετε πρώτα με το ύψος κοπής ρυθμισμένο σε υψηλό. Εξετάστε το αποτέλεσμα και χαμηλώστε το ύψος κοπής σε κατάλληλο επίπεδο. Αν το γρασίδι είναι πολύ μακρύ, οδηγήστε αργά και κόψτε 2 φορές, αν είναι απαραίτητο.
- Να κόβετε κάθε φορά σε διαφορετικές κατευθύνσεις για να αποφεύγετε τις ρίγες στο γκαζόν.
- Διατηρείτε το κάλυμμα κοπής καθαρό. Η συσσώρευση γρασιδιού και ακαθαρσιών στην εσωτερική πλευρά του καλύμματος κοπής μπορεί να μειώσει το αποτέλεσμα κοπής. Ανατρέξτε στην ενότητα *Καθαρισμός του προϊόντος στη σελίδα 131*.

## Συντήρηση

### Εισαγωγή



**ΠΡΟΕΙΔΟΠΟΙΗΣΗ:** Προτού εκτελέσετε εργασίες συντήρησης, πρέπει να διαβάσετε και να κατανοήσετε το κεφάλαιο για την ασφάλεια.

Για όλες τις εργασίες συντήρησης και επισκευής στο προϊόν, είναι απαραίτητη ειδική εκπαίδευση. Μπορούμε να εγγυηθούμε για τη διαθεσιμότητα των επαγγελματικών επισκευών και τη συντήρηση. Αν ο αντιπρόσωπός σας δεν είναι αντιπρόσωπος σέρβις, μιλήστε του για πληροφορίες σχετικά με τον πλησιέστερο αντιπρόσωπο σέρβις.

## Πρόγραμμα συντήρησης

Τα διαστήματα συντήρησης υπολογίζονται με βάση την καθημερινή χρήση του προϊόντος. Τα διαστήματα αλλάζουν αν το προϊόν δεν χρησιμοποιείται καθημερινά.

Για τις εργασίες συντήρησης που προσδιορίζονται με \*, βλ. οδηγίες στην ενότητα *Συσκευές ασφαλείας στο προϊόν στη σελίδα 121*.

	Σε κάθε χρήση	Κάθε μήνα	Σε κάθε σεζόν
Εκτέλεση γενικής επιθεώρησης	X		
Καθαρισμός του προϊόντος	X		
Έλεγχος του αναστολέα εκκίνησης *	X		
Έλεγχος ότι οι συσκευές ασφαλείας στο προϊόν δεν είναι ελαττωματικές *	X		
Έλεγχος του εξοπλισμού κοπής	X		
Έλεγχος του καλύμματος κοπής *	X		
Έλεγχος της λαβής φρένου του κινητήρα *	X		
Έλεγχος ότι το κουμπί ON/OFF λειτουργεί σωστά και δεν είναι ελαττωματικό	X		
Έλεγχος της μπαταρίας για τυχόν ζημιές	X		
Έλεγχος της φόρτισης της μπαταρίας	X		
Έλεγχος ότι τα κουμπιά απασφάλισης της μπαταρίας λειτουργούν σωστά και ότι η μπαταρία ασφαλίζει σωστά στο προϊόν.	X		
Έλεγχος του φορτιστή μπαταρίας για τυχόν ζημιές και έλεγχος για σωστή λειτουργία.		X	
Έλεγχος των συνδέσεων μεταξύ της μπαταρίας και του προϊόντος. Επιπλέον, έλεγχος της σύνδεσης μεταξύ της μπαταρίας και του φορτιστή μπαταρίας.			X

## Εκτέλεση γενικής επιθεώρησης

- Βεβαιωθείτε ότι τα παζιμάδια και οι βίδες πάνω στο προϊόν είναι σφιγμένα.
- Βεβαιωθείτε ότι τα καλώδια στο προϊόν δεν βρίσκονται σε σημείο όπου μπορούν να υποστούν ζημιά.

## Καθαρισμός του προϊόντος

- Καθαρίζετε τα πλαστικά εξαρτήματα με καθαρό και στεγνό πανί.
- Μην χρησιμοποιείτε νερό για να καθαρίσετε το προϊόν. Το νερό μπορεί να εισχωρήσει στην μπαταρία ή στον κινητήρα και να προκαλέσει βραχυκύκλωμα ή ζημιά στο προϊόν.
- Μην χρησιμοποιείτε σύστημα πλύσης με υψηλή πίεση για να καθαρίσετε το προϊόν.
- Μην ρίχνετε νερό απευθείας επάνω στον κινητήρα.
- Χρησιμοποιήστε μια βούρτσα για να αφαιρέσετε φύλλα, γρασίδι και ακαθαρσίες.

## Για να καθαρίσετε την μπαταρία και το φορτιστή μπαταρίας



**ΠΡΟΕΙΔΟΠΟΙΗΣΗ:** Μην καθαρίζετε την μπαταρία ή το φορτιστή μπαταρίας με νερό.

- Βεβαιωθείτε ότι η μπαταρία και ο φορτιστής είναι καθαροί και στεγνοί προτού τοποθετήσετε την μπαταρία στον φορτιστή.
- Καθαρίστε τους πόλους της μπαταρίας με πεπιεσμένο αέρα ή χρησιμοποιήστε μαλακό και στεγνό πανί.
- Καθαρίστε τις επιφάνειες της μπαταρίας και του φορτιστή της μπαταρίας με μαλακό και στεγνό πανί.

## Έλεγχος εξοπλισμού κοπής



**ΠΡΟΕΙΔΟΠΟΙΗΣΗ:** Για την αποφυγή ακούσιας εκκίνησης, γυρίστε το κλειδί ασφαλείας στη θέση "0", αφαιρέστε την μπαταρία και περιμένετε τουλάχιστον για 5 δευτερόλεπτα.



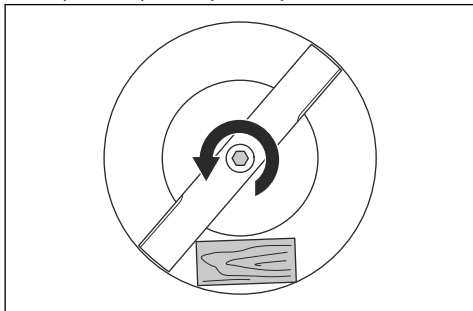
**ΠΡΟΕΙΔΟΠΟΙΗΣΗ:** Να χρησιμοποιείτε προστατευτικά γάντια όταν κάνετε συντήρηση του εξοπλισμού κοπής. Η λεπίδα είναι πολύ κοφτερή και μπορεί εύκολα να κοπείτε.

1. Ελέγξτε τον εξοπλισμό κοπής για ζημιές ή ρωγμές. Πρέπει πάντα να αντικαθιστάτε τον εξοπλισμό κοπής, αν έχει υποστεί ζημιά.
2. Κοιτάξτε τη λεπίδα για να δείτε εάν είναι φθαρμένη ή στομωμένη.

**Περιεχόμενα** Είναι απαραίτητο να ζυγοσταθμιστεί η λεπίδα μετά το ακόνισμα. Να αναθέτετε το ακόνισμα, την αντικατάσταση και τη ζυγοστάθμιση της λεπίδας σε ένα κέντρο σέρβις. Αν χτυπήσετε κάποιο εμπόδιο και σταματήσει το προϊόν, αντικαταστήστε τη φθαρμένη λεπίδα. Το κέντρο σέρβις θα αξιολογήσει αν η λεπίδα μπορεί να ακονιστεί ή πρέπει να αντικατασταθεί.

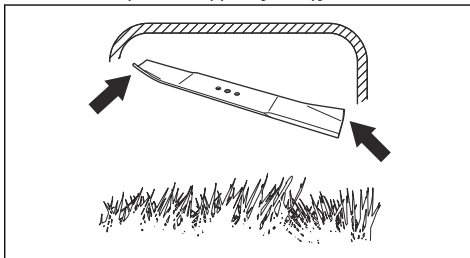
## Για να αντικαταστήσετε τη λεπίδα

1. Ασφαλίστε τη λεπίδα με έναν ξύλινο τάκο.

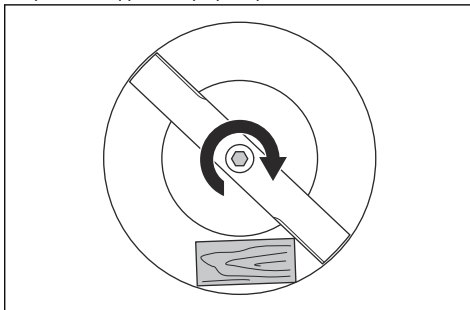


2. Αφαιρέστε τη βίδα της λεπίδας.
3. Αφαιρέστε τη λεπίδα.
4. Εξετάστε την υποστήριξη και τη βίδα της λεπίδας για να δείτε εάν υπάρχουν φθορές.
5. Βεβαιωθείτε ότι ο άξονας του κινητήρα δεν είναι λυγισμένος.

6. Όταν συνδέετε μια καινούργια λεπίδα, στρέψτε τα άκρα της λεπίδας που σχηματίζουν γωνία προς την κατεύθυνση του καλύμματος κοπής.



7. Βεβαιωθείτε ότι η λεπίδα είναι ευθυγραμμισμένη με το κέντρο του άξονα του κινητήρα.
8. Ασφαλίστε τη λεπίδα με έναν ξύλινο τάκο. Τοποθετήστε τη ροδέλα του ελατηρίου και σφίξτε τη βίδα και τη ροδέλα με ροπή 23–28 N. m.



9. Περιστρέψτε τη λάμα με το χέρι και βεβαιωθείτε ότι μπορεί να περιστραφεί χωρίς προβλήματα.



**ΠΡΟΕΙΔΟΠΟΙΗΣΗ:** Να χρησιμοποιείτε γάντια βαρέος τύπου. Η λεπίδα είναι πολύ κοφτερή και μπορεί εύκολα να κοπείτε.

10. Εκκινήστε το προϊόν για να δοκιμάσετε τη λεπίδα. Αν η λεπίδα δεν είναι σωστά συνδεδεμένη, θα υπάρχουν κραδασμοί στο προϊόν ή το αποτέλεσμα κοπής δεν θα είναι ικανοποιητικό.

## Αντιμετώπιση προβλημάτων

### Μπαταρία

Λυχνία LED στην μπαταρία	Αιτία	Λύση
Η πράσινη λυχνία LED αναβοσβήνει.	Η τάση της μπαταρίας είναι χαμηλή.	Φορτίστε την μπαταρία. Ανατρέξτε στην ενότητα <i>Φόρτιση της μπαταρίας στη σελίδα 128</i> .

Λυχνία LED στην μπαταρία	Αιτία	Λύση
Η λυχνία LED σφάλματος αναβοσβήνει.	Η μπαταρία έχει χαμηλή στάθμη φόρτισης.	Φορτίστε την μπαταρία. Ανατρέξτε στην ενότητα <i>Φόρτιση της μπαταρίας στη σελίδα 128</i> .
	Η θερμοκρασία στο περιβάλλον εργασίας είναι πολύ υψηλή ή πολύ χαμηλή.	Χρησιμοποιείτε την μπαταρία σε θερμοκρασίες μεταξύ $-10^{\circ}\text{C}$ και $40^{\circ}\text{C}$ .
	Υπέρταση.	Βεβαιωθείτε ότι η τάση του δικτύου ρεύματος είναι ίδια με εκείνη που αναγράφεται στην πινακίδα στοιχείων στο προϊόν.  Αφαιρέστε την μπαταρία από το φορτιστή. Περιμένετε 5 δευτερόλεπτα και προσπαθήστε ξανά να φορτίσετε την μπαταρία. Αν το πρόβλημα εξακολουθεί να εμφανίζεται, επικοινωνήστε με έναν εξουσιοδοτημένο αντιπρόσωπο σέρβις.
Η λυχνία LED σφάλματος είναι αναμμένη.	Η διαφορά τάσης μεταξύ των στοιχείων της μπαταρίας είναι πολύ μεγάλη (1 V).	Επικοινωνήστε με έναν εγκεκριμένο αντιπρόσωπο σέρβις.

## Φορτιστής μπαταρίας

Λυχνία LED στον φορτιστή της μπαταρίας	Αιτία	Λύση
Η λυχνία LED σφάλματος αναβοσβήνει.	Η θερμοκρασία στο περιβάλλον εργασίας είναι πολύ υψηλή ή πολύ χαμηλή.	Χρησιμοποιήστε τον φορτιστή της μπαταρίας σε θερμοκρασίες μεταξύ $5^{\circ}\text{C}$ και $40^{\circ}\text{C}$ .
Η λυχνία LED σφάλματος είναι αναμμένη.		Επικοινωνήστε με έναν εγκεκριμένο αντιπρόσωπο σέρβις.

## Ταμπλό ελέγχου

Για προβλήματα που δεν αναφέρονται σε αυτήν την ενότητα, μπορείτε να επικοινωνήσετε με τον αντιπρόσωπο σέρβις.

Πληκτρολόγιο	Κωδικός σφάλματος (αριθμός αναβοσβήσιμων)	Πιθανά σφάλματα	Πιθανή ενέργεια
Η λυχνία LED σφάλματος αναβοσβήνει	3	Ο κινητήρας έχει υπερφορτωθεί	Αυξήστε το ύψος κοπής. Ανατρέξτε στην ενότητα <i>Για να ρυθμίσετε το ύψος κοπής στη σελίδα 127.</i>
	5	Η ταχύτητα του κινητήρα μειώνεται υπερβολικά και ο κινητήρας σταματά	
	10	Το σύστημα ελέγχου του κινητήρα είναι πολύ ζεστό	Σταματήστε τον κινητήρα και περιμένετε μέχρι να κρυώσει
	2	Η λεπίδα έχει μπλοκάρει	Για την αποφυγή ακούσιας εκκίνησης, γυρίστε το κλειδί ασφαλείας στη θέση "0", αφαιρέστε την μπαταρία και περιμένετε τουλάχιστον για 5 δευτερόλεπτα. Βεβαιωθείτε ότι η λεπίδα μπορεί να περιστραφεί ελεύθερα. Αν το πρόβλημα παραμένει, επικοινωνήστε με έναν εξουσιοδοτημένο αντιπρόσωπο σέρβις
	9	Σφάλμα μπαταρίας ή δεν υπάρχει σήμα από την μπαταρία	Τοποθετήστε σωστά την μπαταρία στο προϊόν και ελέγξτε τον σύνδεσμο της μπαταρίας. Αν η λυχνία LED σφάλματος στην μπαταρία αναβοσβήνει, ανατρέξτε στην ενότητα <i>Μπαταρία στη σελίδα 127.</i>
Το προϊόν σταματά να λειτουργεί	8	Η μπαταρία έχει χαμηλή στάθμη φόρτισης	Φορτίστε την μπαταρία. Ανατρέξτε στην ενότητα <i>Φόρτιση της μπαταρίας στη σελίδα 128.</i>
	0	Βλάβη συνδέσμου μπαταρίας	Ελέγξτε τον σύνδεσμο της μπαταρίας

## Μεταφορά, αποθήκευση και απόρριψη

### Εισαγωγή



**ΠΡΟΕΙΔΟΠΟΙΗΣΗ:** Για την αποφυγή ακούσιας εκκίνησης κατά την μεταφορά, γυρίστε το κλειδί ασφαλείας στη θέση "0", αφαιρέστε την μπαταρία και περιμένετε τουλάχιστον για 5 δευτερόλεπτα.

### Μεταφορά

- Οι απαιτήσεις της νομοθεσίας περί μεταφοράς επικίνδυνων εμπορευμάτων ισχύει για τις μπαταρίες ιόντων λιθίου που περιλαμβάνονται.
- Για τις εμπορικές μεταφορές πρέπει να τηρούνται οι ειδικές απαιτήσεις που αναγράφονται στη συσκευασία και στις ετικέτες.
- Βεβαιωθείτε ότι τηρείτε τους κανονισμούς για επικίνδυνα υλικά κατά τη μεταφορά του προϊόντος. Μπορεί να ισχύουν τοπικοί κανονισμοί.
- Για τη μεταφορά, πρέπει πάντα να αφαιρείτε την μπαταρία.

- Τοποθετήστε ταινία στους συνδέσμους της μπαταρίας και βεβαιωθείτε ότι η μπαταρία δεν μπορεί να μετακινηθεί κατά τη μεταφορά.
- Στερεώστε το προϊόν κατά τη μεταφορά.

### Αποθήκευση

- Για την αποθήκευση, πρέπει πάντα να αφαιρείτε την μπαταρία.
- Για την αποφυγή ατυχημάτων, βεβαιωθείτε ότι η μπαταρία δεν είναι συνδεδεμένη στο προϊόν κατά την αποθήκευση.
- Αποθηκεύστε τον φορτιστή της μπαταρίας σε κλειστό χώρο χωρίς υγρασία.
- Αποθηκεύστε την μπαταρία και τον φορτιστή σε χώρο χωρίς υγρασία ή παγετό.
- Αποσυνδέστε την μπαταρία από τον φορτιστή προτού την αποθηκεύσετε.
- Μην αποθηκεύετε την μπαταρία σε χώρους όπου μπορεί να προκληθεί στατικός ηλεκτρισμός. Μην αποθηκεύετε την μπαταρία σε μεταλλικό κουτί.

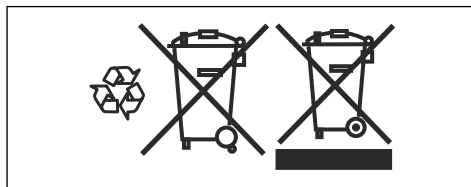
- Αποθηκεύστε την μπαταρία σε χώρο όπου η θερμοκρασία κυμαίνεται μεταξύ 5 °C και 25 °C μακριά από την ηλιακή ακτινοβολία.
- Αποθηκεύστε τον φορτιστή μπαταρίας σε χώρο όπου η θερμοκρασία κυμαίνεται μεταξύ 5 °C και 45 °C μακριά από την ηλιακή ακτινοβολία.
- Βεβαιωθείτε ότι η μπαταρία είναι φορτισμένη κατά 30% - 50% προτού την αποθηκεύσετε για μεγάλο χρονικό διάστημα.
- Αποθηκεύστε το προϊόν, την μπαταρία και τον φορτιστή μπαταρίας σε χώρο που κλειδώνεται, ώστε να μην έχουν πρόσβαση παιδιά και μη εξουσιοδοτημένα άτομα.
- Καθαρίστε το προϊόν και πραγματοποιήστε πλήρες σέρβις προτού το αποθηκεύσετε για μεγάλο χρονικό διάστημα.

## Απόρριψη

Τα σύμβολα που υπάρχουν πάνω στο προϊόν ή στη συσκευασία του, υποδεικνύουν ότι δεν πρέπει να μεταχειρισθείτε το συγκεκριμένο προϊόν ως οικιακό

απόρριμμα. Αντιθέτως, πρέπει να το παραδώσετε σε κατάλληλο σταθμό ανακύκλωσης για ανάκτηση του ηλεκτρικού και ηλεκτρονικού εξοπλισμού.

Εξασφαλίζοντας τη σωστή απόρριψη του προϊόντος, συνεισφέρετε στην αντιμετώπιση πιθανών αρνητικών επιπτώσεων που θα μπορούσε να έχει στο περιβάλλον και τους ανθρώπους η λανθασμένη απόρριψη αυτού του προϊόντος. Για περισσότερες πληροφορίες σχετικά με την ανακύκλωση αυτού του προϊόντος, απευθυνθείτε στο δήμο σας, την τοπική υπηρεσία συλλογής απορριμμάτων ή το κατάστημα από το οποίο αγοράσατε το προϊόν.



## Τεχνικά στοιχεία

	<b>LB 146i</b>
<b>Μοτέρ κοπής</b>	
Τύπος κινητήρα	BLDC (χωρίς ψήκτρες) 36V
Ταχύτητα κινητήρα - Λειτουργία SavE, σ.α.λ.	2600
Ταχύτητα κινητήρα - Ονομαστική, σ.α.λ.	3000
Ταχύτητα κινητήρα - Υψηλό φορτίο, σ.α.λ.	3500
Ισχύς κινητήρα – μέγ. kW	1,05
Ισχύς κινητήρα - Ονομαστική, kW	0,9
Όριο υπερέντασης (όριο ρεύματος: 900W-27A)	27 (+/-) 1A
<b>Βάρος</b>	
Βάρος χωρίς μπαταρία, kg	16,9
<b>Μπαταρία <sup>21</sup></b>	
Τύπος μπαταρίας	Σειρά μπαταριών της Husqvarna
<b>Χρόνος λειτουργίας μπαταρίας</b>	
Χρόνος λειτουργίας μπαταρίας, λεπτά, (ελεύθερη λειτουργία) με ενεργοποιημένη τη λειτουργία εξοικονόμησης SavE, με μία μπαταρία (BLi200) 5,2 Ah της Husqvarna.	77
Χρόνος λειτουργίας μπαταρίας, λεπτά, (ελεύθερη λειτουργία) με ενεργοποιημένη την κανονική λειτουργία, με μία μπαταρία (BLi200) 5,2 Ah της Husqvarna.	45

<sup>21</sup> Για καλύτερα αποτελέσματα και επιδόσεις, συνιστάται η μπαταρία BLi200 της Husqvarna.

	<b>LB 146i</b>
<b>Εκπομπές θορύβου</b> <sup>22</sup>	
Στάθμη ηχητικής ισχύος, μετρούμενη τιμή σε dB (A)	90
Στάθμη ηχητικής ισχύος, εγγυημένη L <sub>WA</sub> dB (A)	91
<b>Στάθμες θορύβου</b> <sup>23</sup>	
Στάθμη πίεσης ήχου στο αυτί του χειριστή, σε dB (A)	79
<b>Στάθμες κραδασμών</b> <sup>24</sup>	
Λαβή, m/s <sup>2</sup>	0,9
<b>Εξοπλισμός κοπής</b>	
Ύψος κοπής, mm	35-70 mm
Πλάτος κοπής, cm	46
Λεπίδα	Σύστημα κοπής χορτολιπάσματος BioClip
Κωδικός είδους	5947022-10

Εγκεκριμένες μπαταρίες	Τύπος	Χωρητικότητα μπαταρίας, Ah	Τάση, V	Βάρος, lb/kg
BLi20	Ιόντων λιθίου	4,0	36	2,6/1,2
BLi200	Ιόντων λιθίου	5,2	36	2,8/1,3
BLi300	Ιόντων λιθίου	9,4	36	4,2/1,9

Εγκεκριμένοι φορτιστές για προδιαγραφόμενες μπαταρίες, BLi	Τάση εισόδου, V	Συχνότητα, Hz	Ισχύς, W
QC80	100-240	50-60	100
QC80F	10-15	Δ/Υ	95
QC330	100-240	50-60	330
QC500	100-240	50-60	500
40-C80	100-240	50-60	68,8

<sup>22</sup> Οι εκπομπές θορύβου στο περιβάλλον μετρούνται ως ηχητική ισχύς (L<sub>WA</sub>) σε συμμόρφωση με την Οδηγία 2000/14/ΕΚ.

<sup>23</sup> Τα καταγεγραμμένα στοιχεία για τη στάθμη πίεσης θορύβου έχουν τυπική στατιστική διασπορά (τυπική απόκλιση) 1,2 dB(A).

<sup>24</sup> Τα καταγεγραμμένα στοιχεία για τη στάθμη κραδασμών έχουν τυπική στατιστική διασπορά (τυπική απόκλιση) της τάξης του 0,2 m/s<sup>2</sup>. Πρότυπο για κραδασμούς EN 60335-2-77:2017 κεφάλαιο 20.105



---

## Δήλωση Συμμόρφωσης ΕΚ

---

### Δήλωση Συμμόρφωσης ΕΚ

Η **Husqvarna AB**, SE-561 82 Huskvarna, Σουηδία, τηλ.: +46-36-146500, δηλώνει ότι τα χλοοκοπτικά γκαζόν **Husqvarna LB 146i** από το έτος 2021 και έπειτα, πληρούν τις προϋποθέσεις της ΟΔΗΓΙΑΣ του ΣΥΜΒΟΥΛΙΟΥ:

- με ημερομηνία 8 Ιουνίου 2011 σχετικά με τον "περιορισμό της χρήσης συγκεκριμένων επικινδυνών ουσιών" **2011/65/EE**
- με ημερομηνία 17 Μαΐου 2006 "σχετικά με τα μηχανήματα" **2006/42/EK**
- με ημερομηνία 26 Φεβρουαρίου 2014 "σχετικά με την ηλεκτρομαγνητική συμβατότητα" **2014/30/EE**
- με ημερομηνία 8 Μαΐου 2000 "περί εκπομπών θορύβου στο περιβάλλον" **2000/14/EK**

Για πληροφορίες σχετικά με τις εκπομπές θορύβου, βλ. την ενότητα "Τεχνικά στοιχεία".

Εφαρμόστηκαν τα ακόλουθα πρότυπα:

**EN 60335-1:2012+A11:2014+A13:2017, EN 60335-2-77:2010, EN 62233:2008, EN 55014-1:2017+A11:2020, EN 55014-2:2015, EN IEC 63000:2018**

Αν δεν ορίζεται διαφορετικά, τα παραπάνω πρότυπα αντιστοιχούν στις πιο πρόσφατες δημοσιευμένες εκδόσεις.

Κοινοποιημένος φορέας: **0404, RISE SMP Svensk Maskinprovning AB, Box 7035, SE-750 07 Uppsala** έχει πραγματοποιήσει αξιολόγηση της συμμόρφωσης σύμφωνα με το Παράρτημα VI της οδηγίας 2000/14/EK.

Huskvarna, 2021-10-30



Claes Losdal, Διευθυντής ανάπτυξης/Προϊόντα κήπου (Εξουσιοδοτημένος αντιπρόσωπος της Husqvarna AB και υπεύθυνος για την τεχνική τεκμηρίωση)

## Contenido

Introducción.....	138	Resolución de problemas.....	155
Seguridad.....	141	Transporte, almacenamiento y eliminación.....	157
Montaje.....	149	Datos técnicos.....	158
Funcionamiento.....	150	Declaración de conformidad CE.....	160
Mantenimiento.....	153		

## Introducción

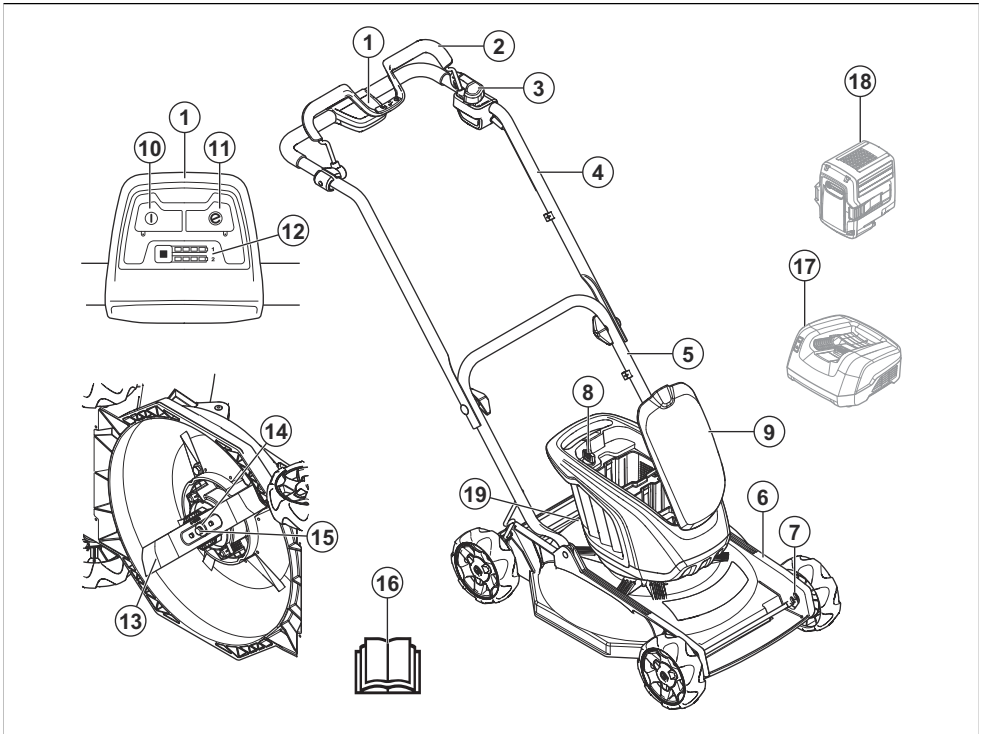
### Descripción del producto

El producto es un cortacésped giratorio conducido a pie que utiliza BioClip para cortar la hierba y convertirla en fertilizante.

### Uso previsto

Utilice el producto para cortar hierba. No utilice el producto para otras tareas.

### Descripción del producto



- |                                  |  |
|----------------------------------|--|
| 1. Panel de control              | 8. Llave de seguridad                                      |
| 2. Palanca del freno del motor   | 9. Tapa de la batería                                      |
| 3. Inhibidor de arranque         | 10. Botón ON/OFF   |
| 4. Manillar superior             | 11. Botón Save   |
| 5. Manillar inferior             | 12. Indicador de carga de la batería y botón de la batería |
| 6. Cubierta del equipo de corte  | 13. Cuchilla   |
| 7. Control de la altura de corte |  |

- 14. Arandela elástica
- 15. Tornillo de la cuchilla
- 16. Manual de usuario
- 17. Cargador de batería (accesorio)
- 18. Batería (accesorio)
- 19. Placa de características con código QR

## Símbolos que aparecen en el producto



**Advertencia:** Su uso descuidado o erróneo puede provocar lesiones o la muerte al operador o a otras personas.



Lea detenidamente el manual de usuario y asegúrese de que entiende las instrucciones antes de usar la máquina.



Mantenga a las personas y animales a una distancia de seguridad respecto a la zona de trabajo.



Tenga cuidado con los objetos lanzados o rebotados.



**Advertencia:** Mantenga alejados las manos y los pies de la cuchilla giratoria.



**Advertencia:** Mantenga alejados las manos y los pies de las piezas giratorias.



Retire la llave de seguridad antes de llevar a cabo trabajos de reparación o mantenimiento.



No exponer a la lluvia



El producto o su embalaje no son residuos domésticos. Recíclalo en un centro de reciclaje para equipos eléctricos y electrónicos.



El producto cumple con las directivas CE vigentes.



El producto cumple con las directivas CE vigentes.



El producto cumple con las directivas CE vigentes.



El producto cumple con las directivas CE vigentes. Se aplica a AU/NZ solo



Las emisiones sonoras en el entorno según la directiva de la Comunidad Europea. Las emisiones del producto se indican en

el capítulo «Datos técnicos» y en la etiqueta.

## IPX1 IPX1 - protegido contra goteo



Procedimiento de arranque: pulse el botón de encendido/apagado, afloje el bloqueo de arranque y presione la palanca del freno del motor hacia abajo.



Suelte la palanca del freno del motor para parar.

**Nota:** Los demás símbolos/etiquetas que aparecen en el producto corresponden a requisitos de homologación específicos en algunos mercados.

## Etiqueta del producto



PELIGRO: Mantenga las manos y los pies alejados.

## Fiabilidad del producto

Como se estipula en las leyes de responsabilidad del producto, no nos hacemos responsables de los daños y perjuicios causados por nuestro producto si:

- El producto se ha reparado incorrectamente.
- El producto se ha reparado con piezas que no eran del fabricante o no autorizadas por el fabricante.
- El producto tiene un accesorio que no es del fabricante o no está autorizado por este.
- El producto no se ha reparado en un centro de servicio autorizado o por un organismo homologado.

---

## Seguridad

---

### Definiciones de seguridad

Las advertencias, precauciones y notas se utilizan para destacar información especialmente importante del manual.



**ADVERTENCIA:** Indica un riesgo de lesiones o incluso de muerte del usuario o de las personas cercanas si no se respetan las instrucciones del manual.



**PRECAUCIÓN:** Indica un riesgo de daños en el producto, otros materiales o el área adyacente si no se respetan las instrucciones del manual.

---

**Nota:** Se usa para proporcionar más información necesaria en una situación determinada.

---

### Instrucciones generales de seguridad



**ADVERTENCIA:** Lea las siguientes instrucciones

de advertencia antes de utilizar el producto.

---

- Este producto es una herramienta peligrosa si se usa incorrectamente o si no se tiene cuidado. Puede causar lesiones graves o incluso la muerte si no siguen las instrucciones de seguridad.
- Este producto genera un campo electromagnético durante el funcionamiento. Este campo magnético puede, en determinadas circunstancias, interferir con implantes médicos activos o pasivos. Para reducir el riesgo de que se den condiciones que provocarían lesiones graves o letales, las personas que utilizan implantes médicos deben consultar con su médico y con el fabricante del implante antes de poner en marcha este producto.
- Proceda siempre con cuidado y utilice siempre el sentido común. Si no está seguro de cómo manejar el producto en una situación especial, pare y consulte con su distribuidor Husqvarna antes de continuar.

- Debe tenerse en cuenta que el operador será responsable de los accidentes que involucren a otras personas o a su propiedad.
- Mantenga el producto limpio. Asegúrese de que puede leer claramente las etiquetas.
- No permita que niños ni adultos que no estén familiarizados con estas instrucciones utilicen el aparato. Las normas de seguridad locales pueden fijar límites a la edad del operador
- Si una persona con discapacidad física o mental usa el producto, asegúrese de supervisarla en todo momento. Debe haber presente en todo momento una persona mayor de edad responsable.
- No utilice el producto si está cansado, enfermo o si se encuentra bajo los efectos de alcohol, drogas o medicamentos. Esto tiene un efecto negativo en su visión, vigilancia, coordinación y capacidad de decisión.
- No utilice el producto si está defectuoso.
- No modifique este producto ni lo utilice si puede haber sido

modificado por otras personas.

## Seguridad en el área de trabajo

---



**ADVERTENCIA:** Lea las siguientes instrucciones de advertencia antes de utilizar el producto.

---

- Retire objetos tales como ramas, palos y piedras de la zona de trabajo antes de usar el producto.
- Los objetos que chocan contra el equipo de corte pueden salir despedidos y causar daños a personas y objetos. Mantenga a las personas y los animales a una distancia de seguridad respecto al producto.
- No utilice el producto en condiciones climáticas desfavorables, como niebla, lluvia, viento fuerte, frío intenso y riesgo de relámpagos. El uso del producto en condiciones climáticas desfavorables o en entornos húmedos o mojados produce mucho cansancio. El mal tiempo puede causar condiciones peligrosas, como superficies resbaladizas.
- Preste atención a las personas, objetos y situaciones que puedan

- impedir el funcionamiento seguro del producto.
- Tenga cuidado con los posibles obstáculos, como raíces, piedras, ramas, hoyos y zanjas. El césped crecido puede esconder obstáculos.
  - Cortar el césped en pendientes puede resultar peligroso. No utilice la máquina en pendientes excesivamente pronunciadas. No utilice el producto en pendientes de más de 15°.
  - Tenga sumo cuidado al cambiar de dirección en pendientes. Utilice el producto a lo largo de las laderas de las pendientes. No se desplace hacia arriba y hacia abajo.
  - Tenga cuidado cuando se acerque a esquinas y objetos escondidos que puedan bloquear su campo de visión.

## Seguridad en el trabajo



**ADVERTENCIA:** Lea las siguientes instrucciones de advertencia antes de utilizar el producto.

- Utilice el equipo de protección personal. Consulte la sección *Equipo de protección personal en la página 144.*
- Asegúrese de que sabe cómo detener el motor rápidamente en caso de emergencia.
- No utilice el producto bajo la lluvia ni en ambientes húmedos. El riesgo de sacudida eléctrica aumenta si entra agua en el producto.
- No utilice el producto a menos que la cuchilla y todas las cubiertas estén fijadas correctamente. Una cuchilla fijada incorrectamente puede soltarse y provocar daños personales.
- Asegúrese de que la cuchilla no golpea ningún objeto, como piedras y raíces. Esto puede causar daños a la cuchilla y doblar el eje del motor. Un eje doblado causa vibraciones excesivas y un riesgo muy alto de que la cuchilla se suelte.
- Si la cuchilla choca con algún objeto o si se producen vibraciones, pare el producto inmediatamente. Detenga el motor, gire la llave de seguridad a la posición 0 y retire la batería. Examine el producto para comprobar si presenta daños. Repare los daños o lleve el producto a un

taller de servicio autorizado para realizar la reparación.

- No acople la palanca del freno del motor permanentemente al manillar cuando el motor esté encendido.
- Ponga el producto en una superficie plana y estable, y arránquelo. Asegúrese de que la cuchilla no entre en contacto con el suelo u otros objetos.
- Manténgase siempre detrás del producto durante su uso.
- Mientras utilice el producto, mantenga todas las ruedas apoyadas en el suelo y las dos manos en el manillar. Mantenga alejados las manos y los pies de las cuchillas giratorias.
- No incline el producto con el motor en marcha.
- Tenga cuidado cuando tire del producto hacia atrás.
- Nunca levante el producto con el motor en marcha. Si tiene que levantar el producto, en primer lugar detenga el motor, gire la llave de seguridad a la posición 0 y retire la batería.
- No camine hacia atrás mientras utiliza el producto.
- Detenga el motor cuando se desplace por áreas sin hierba,

por ejemplo, caminos de grava, piedra y asfalto.

- No corra con el producto con el motor en marcha. Camine siempre mientras utiliza el producto.
- Detenga el motor antes de cambiar la altura de corte. Nunca realice ajustes con el motor en marcha.
- No deje el producto desatendido con el motor en marcha. Pare el motor y asegúrese de que el equipo de corte no gire.

**Instrucciones de seguridad para el funcionamiento**

### **Equipo de protección personal**

---



**ADVERTENCIA:** Lea las siguientes instrucciones de advertencia antes de utilizar el producto.

---

- El equipo de protección personal no elimina completamente el riesgo de lesiones, pero reduce la gravedad de las lesiones en caso de accidente. Deje que el distribuidor le ayude a seleccionar el equipo adecuado.
- Utilice botas o zapatos de trabajo antideslizantes. No



utilice calzado abierto ni vaya descalzo.

- Utilice pantalones largos gruesos.
- Utilice guantes protectores cuando sea necesario, por ejemplo, para el montaje, inspección o limpieza del equipo de corte.

### Dispositivos de seguridad en el producto



**ADVERTENCIA:** Lea las siguientes instrucciones de advertencia antes de utilizar el producto.

- No utilice un producto que tenga dispositivos de seguridad defectuosos.
- Realice una comprobación de los dispositivos de seguridad con frecuencia. Si los dispositivos de seguridad están defectuosos, hable con su taller de servicio Husqvarna.

### Comprobación de la cubierta del equipo de corte

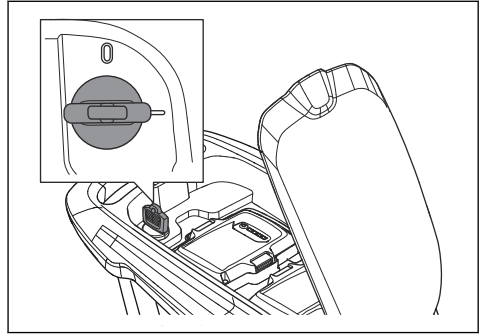
La cubierta del equipo de corte disminuye las vibraciones en el producto y el riesgo de lesiones provocadas por la cuchilla.

- Examine la cubierta de corte para asegurarse de que no haya daños como, por ejemplo, grietas.

### Llave de seguridad

La llave de seguridad se encuentra debajo de la tapa de la batería. La llave de seguridad conecta la batería que suministra electricidad al motor.

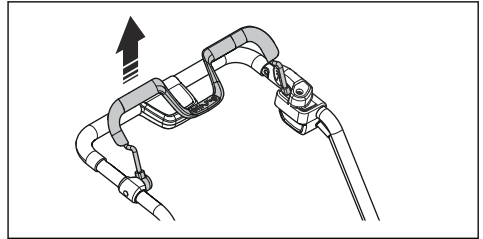
- Arranque y detenga el motor para realizar una comprobación de la llave de seguridad.
- Si la llave de seguridad funciona correctamente, el motor solo arranca cuando la llave está en la posición 1.



### Palanca del freno del motor

La maneta del freno del motor detiene el motor. Cuando se suelta la maneta del freno del motor, el motor se para.

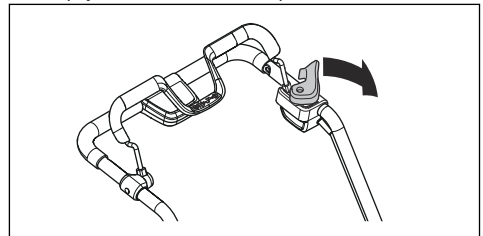
Para realizar una comprobación del freno del motor, arranque el motor y luego suelte la maneta del freno del motor. Si el motor no se detiene en 3 segundos, lleve el producto a un taller de servicio Husqvarna autorizado para realizar el ajuste del freno del motor.



### Para examinar el inhibidor de arranque

Compruebe el inhibidor de arranque para verificar que evita el funcionamiento del motor.

1. Empuje la palanca del freno del motor hacia el manillar. El inhibidor de arranque impide el movimiento.
2. Empuje el inhibidor de arranque hacia fuera.



3. Suelte el inhibidor de arranque y asegúrese de que regresa a su posición inicial.

## Seguridad de la batería

---



**ADVERTENCIA:** Lea las siguientes instrucciones de advertencia antes de utilizar el producto.

---

- Utilice solamente pilas recargables Husqvarna como fuente de alimentación para otros productos Husqvarna relacionados. Para evitar lesiones, no utilice la batería como fuente de alimentación de otros dispositivos.
- No utilice baterías no recargables.
- Riesgo de descarga eléctrica. No conecte los terminales de la batería a llaves, monedas, tornillos u otros objetos metálicos. Esto puede provocar un cortocircuito en la batería.
- No coloque objetos en las ranuras de ventilación de la batería.
- Mantenga la batería lejos de la luz directa del sol, de fuentes de calor o de llamas abiertas. La batería puede explotar y provocar quemaduras graves y/o quemaduras químicas.
- Mantenga la batería resguardada de la lluvia y la humedad.

- Mantenga la batería lejos de microondas y fuentes de alta presión.
- No intente desmontar o romper la batería.
- Si se produce una fuga en la batería, no permita que el líquido entre en contacto con el cuerpo ni con los ojos. Si toca el líquido, limpie el área con abundante agua y busque asistencia médica.
- Utilice la batería con temperaturas de entre  $-10\text{ }^{\circ}\text{C}$  y  $40\text{ }^{\circ}\text{C}$ .
- No limpie la batería o el cargador con agua. Consulte *Para limpiar la batería y el cargador de la batería en la página 154*.
- No utilice una batería defectuosa o dañada.
- Guarde la batería alejada de objetos metálicos, como clavos, monedas o joyas.

## Seguridad del cargador de la batería

---



**ADVERTENCIA:** Lea las siguientes instrucciones de advertencia antes de utilizar el producto.

---

- Utilice solamente cargadores de baterías QC para cargar

las baterías de repuesto Husqvarna.

- Riesgo de sacudida eléctrica o cortocircuito. No coloque objetos en las ranuras de ventilación del cargador. No intente desmontar el cargador de batería. No conecte los terminales del cargador a objetos metálicos. Utilice una toma de corriente homologada.
- Este producto genera un campo electromagnético durante el funcionamiento. Este campo magnético puede, en determinadas circunstancias, interferir con implantes médicos activos o pasivos. Para reducir el riesgo de que se den condiciones que provocarían lesiones graves o letales, las personas que utilizan implantes médicos deben consultar con su médico y con el fabricante del implante antes de poner en marcha este producto.
- Compruebe con regularidad que el cable de alimentación del cargador de batería no esté dañado ni agrietado.
- No levante el cargador de la batería tirando del cable de alimentación. Para desconectar el cargador de batería de la toma de corriente, tire del enchufe. No tire del cable de alimentación.
- Mantenga el cable de alimentación y los cables de empalme apartados de agua, aceite y cantos agudos. Proceda con cuidado para evitar que el cable se enganche en puertas, vallas o similares. De lo contrario, el cargador podría transmitir corriente.
- No limpie el cargador de la batería con agua.
- Los niños mayores de ocho años y las personas con facultades físicas, psíquicas o sensoriales disminuidas, o sin la experiencia y los conocimientos necesarios pueden usar el cargador de batería si se les supervisa o instruye en lo que respecta al uso seguro del aparato y comprenden los peligros existentes. Los niños no deben jugar con el cargador de batería. Los niños no deberán llevar a cabo la limpieza ni el mantenimiento del usuario sin supervisión.
- No intente cargar baterías no recargables en el cargador de la batería.
- No utilice el cargador de batería cerca de materiales

inflamables o corrosivos. No cubra el cargador. Desenchufe el cargador de batería en caso de humareda o incendio.

- No utilice un cargador de batería defectuoso o dañado.
- Solo cargue la batería en interiores si se trata de una estancia con buena ventilación y lejos de la luz solar directa. No cargue la batería en un entorno húmedo.

## Instrucciones de seguridad para el mantenimiento



**ADVERTENCIA:** Lea las siguientes instrucciones de advertencia antes de utilizar el producto.

- Para evitar el arranque accidental durante el mantenimiento, gire la llave de seguridad a la posición 0 y retire la batería. Espere al menos 5 segundos antes de empezar los trabajos de mantenimiento.
- Realice los trabajos de mantenimiento correctamente para aumentar la vida útil del producto y reducir el riesgo de accidentes. Deje que un taller de servicio homologado haga las reparaciones profesionales. Póngase en

contacto con su taller de servicio más cercano para obtener más información.

- Realice únicamente las tareas de mantenimiento que figuran en este manual de usuario. Los trabajos de mayor envergadura debe realizarlos un taller de servicio autorizado.
- Utilice guantes resistentes al utilizar el equipo de corte. La cuchilla está muy afilada y se pueden producir cortes con mucha facilidad.
- Mantenga los bordes cortantes afilados y limpios para obtener los mejores resultados con la máxima seguridad.
- Diríjase a su taller de servicio para que examine el producto regularmente y para que realice ajustes y reparaciones necesarios.
- Cambie las piezas dañadas, desgastadas o rotas.
- Respete las instrucciones correspondientes al cambio de accesorios. Utilice únicamente los accesorios del fabricante.
- Cuando no esté en funcionamiento, mantenga el producto, la batería y cargador de batería aparte en un lugar seco, interior y bajo llave.

Asegúrese de que los niños y personas que no cuenten con autorización no puedan

acceder al producto, la batería o el cargador de batería.

## Montaje

### Introducción



**ADVERTENCIA:** Antes de montar este producto, lea el capítulo sobre seguridad.



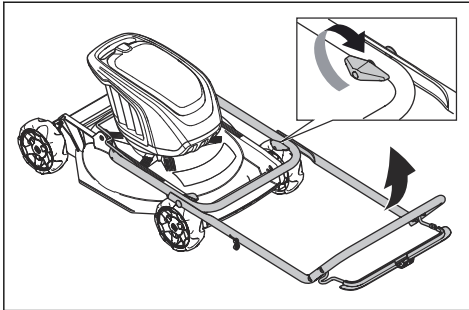
**ADVERTENCIA:** Para evitar un arranque accidental durante el montaje, gire la llave de seguridad hasta la posición 0, retire la batería y espere al menos 5 segundos.

### Para montar el manillar

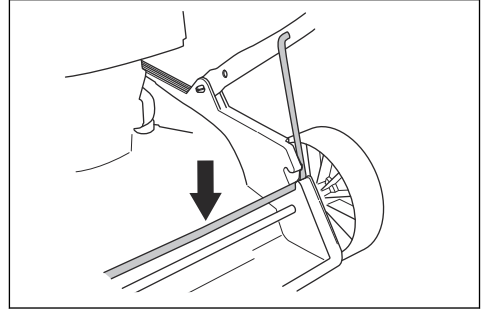


**PRECAUCIÓN:** No retuerza los cables.

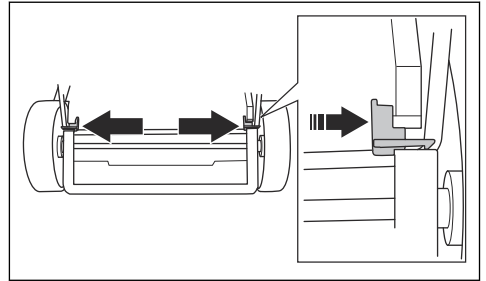
1. Alinee los orificios del manillar superior con los orificios del manillar inferior.
2. Apriete firmemente los pomos del lado derecho e izquierdo y suba el manillar hacia arriba.



3. Coloque el tirante en la hendidura de la cubierta del equipo de corte.



4. Fije los 2 topes que bloquean el tirante y el manillar. Empújelos a fondo en su posición.



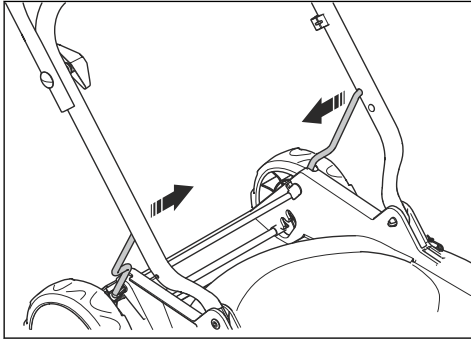
**Nota:** Hay dos topes: uno identificado con una H y otro con una V. Coloque el tope identificado con una H en el lado derecho y el tope identificado con una V en el lado izquierdo.



**PRECAUCIÓN:** No utilice el producto si no se han montado los 2 topes.

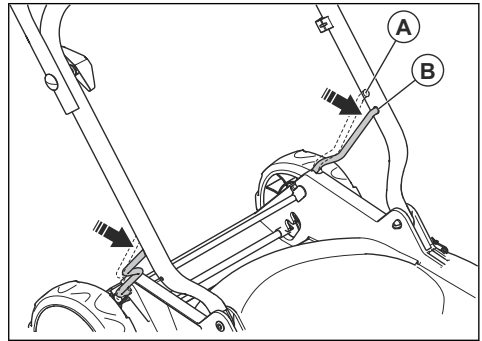
## Regulación de la altura del manillar

1. Desmonte el tirante de la parte inferior del manillar.



a) Coloque el tirante en el orificio superior (A) para reducir la altura del manillar.

b) Coloque el tirante en el orificio inferior (B) para aumentar la altura del manillar.



---

## Funcionamiento

---

### Introducción



**ADVERTENCIA:** Antes de utilizar el producto, debe leer y entender el capítulo sobre seguridad.

### Husqvarna Connect

Husqvarna Connect es una aplicación gratuita para su dispositivo móvil. La aplicación Husqvarna Connect proporciona más funciones para su producto Husqvarna:

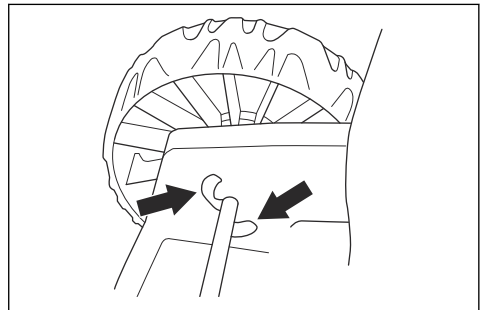
- Información ampliada sobre el producto.
- Información y asistencia sobre piezas y mantenimiento de productos.

### Para empezar a utilizar Husqvarna Connect

1. Descargue la aplicación Husqvarna Connect en su dispositivo móvil.
2. Registre una cuenta en la aplicación Husqvarna Connect.
3. Siga las instrucciones de la aplicación Husqvarna Connect para conectarse y registrar el producto.

### Para ajustar la altura de corte

- Tire del eje y muévelo a la posición correcta en cada una de las 4 ruedas.



**PRECAUCIÓN:** No ajuste la altura de corte demasiado baja. Las cuchillas pueden golpear el suelo si la superficie del césped no está nivelada.

### Batería

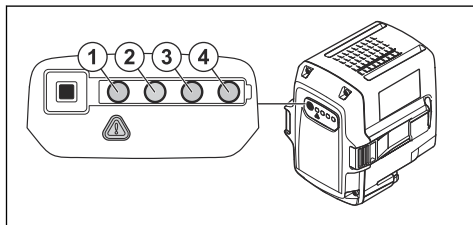


**ADVERTENCIA:** Antes de usar la batería, debe leer y entender el capítulo sobre seguridad. También debe leer y comprender el manual de usuario de la batería y el cargador de la batería.

### Estado de la batería

La pantalla muestra la capacidad restante de la batería y si hay algún problema con la batería. La carga de la batería se muestra durante cinco segundos después de

apagar el producto o pulsar el botón del indicador de la batería. El símbolo de advertencia de la batería se enciende cuando se produce un error. Consulte *Batería* en la página 155.



Indicadores LED	Estado de la batería
Todos los LED están encendidos	Carga completa (75-100 %)
LED 1, LED 2 y LED 3 encendidos	La batería tiene una carga del 50 %-75 %
LED 1 y LED 2 encendidos	La batería tiene una carga del 25 %-50 %
LED 1 encendido	La batería tiene una carga del 0 %-25 %.
El LED 1 parpadea	La batería está descargada. Cargue la batería.

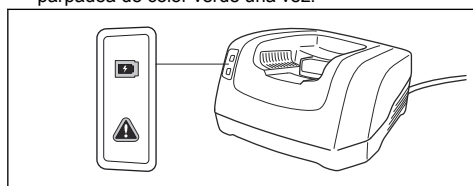
### Para cargar la batería

Cargue la batería antes de utilizarla por primera vez. La batería solo tiene un 30 % de carga cuando se entrega al cliente.

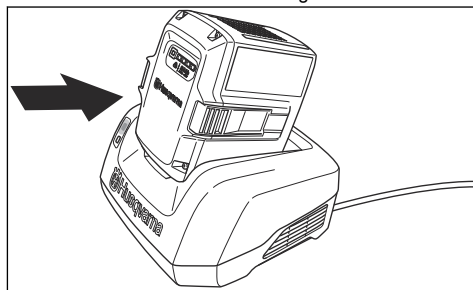
**Nota:** El cargador de la batería debe estar conectado a la tensión y la frecuencia indicadas en la placa de características.

La batería no se cargará si su temperatura es superior a 50 °C. El cargador de batería disminuye la temperatura de la batería antes de empezar a cargarse.

1. Conecte un extremo del cable de alimentación del cargador de batería a la toma de este último.
2. Conecte el otro extremo del cable de alimentación del cargador de batería a un enchufe de corriente con toma de tierra. El LED del cargador de batería parpadea de color verde una vez.



3. Coloque la batería en el cargador. La luz verde del cargador se enciende cuando la batería está conectada correctamente al cargador de batería.



4. Cuando todos los LED de la batería se hayan encendido, la batería estará totalmente cargada. Cargue la batería durante un máximo de 24 horas.
5. Para desconectar el cargador de la toma de corriente, tire del enchufe, no del cable de alimentación.
6. Retire la batería del cargador.

### Estado de la carga de la batería

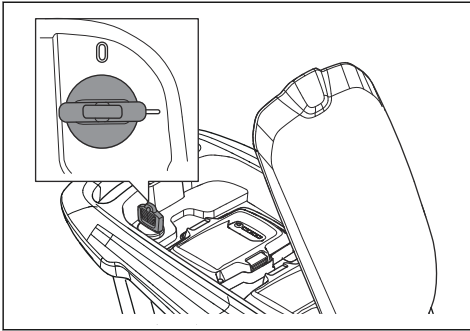
Una batería de iones de litio de Husqvarna se puede cargar o utilizar sea cual sea su nivel de carga. La batería no sufre daños. La carga de una batería completamente cargada no se pierde aun cuando se deje en el cargador.

Indicadores LED	Estado de carga
El LED 1 parpadea	0 %-25 %
LED 1 encendido y LED 2 parpadeando	25 %-50 %
LED 1 y LED 2 encendidos; LED 3 parpadeando.	50 %-75 %
LED 1, LED 2 y LED 3 encendidos; LED 4 parpadeando.	75 %-100 %
LED 1, LED 2, LED 3 y LED 4 encendidos	Completamente cargada

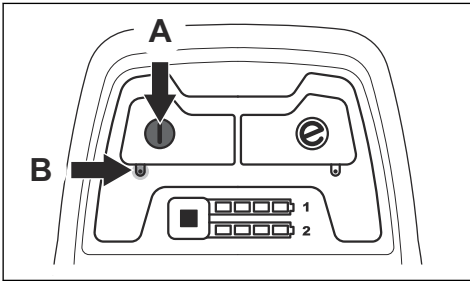
### Arranque del producto.

1. Coloque una batería cargada en el compartimento número 1 por debajo de la tapa de la batería. Para prolongar la autonomía, coloque una segunda batería cargada en el compartimento número 2.

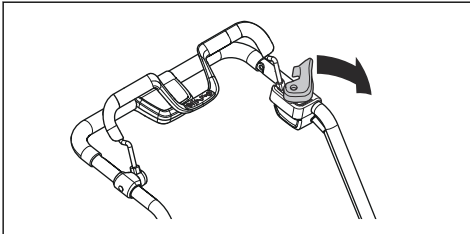
2. Gire la llave de seguridad a 1.



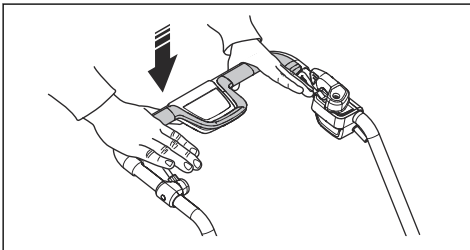
3. Manténgase detrás del producto.
4. Pulse el botón de encendido/apagado (A) en el panel de control; el LED verde (B) se enciende.



5. Afloje el inhibidor de arranque.



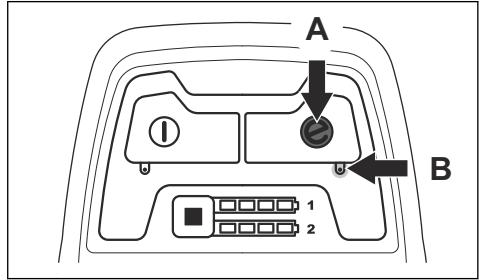
6. Empuje la palanca del freno del motor hacia el manillar.



## Para usar la función SavE

El producto cuenta con una función de ahorro de batería (SavE) que le permite funcionar durante más tiempo.

1. Pulse el botón SavE (A) para iniciar la función. El LED verde se enciende.



2. Pulse de nuevo el botón SavE para detener la función. El LED verde (B) se apaga.

La función SavE se detiene automáticamente si las condiciones del terreno requieren una mayor potencia. La función SavE se pone en marcha automáticamente cuando las condiciones del terreno lo permiten.

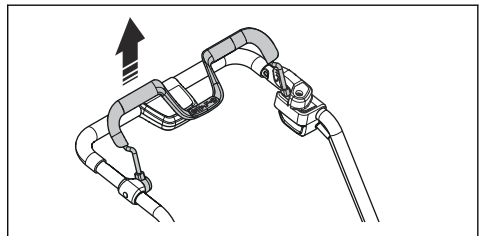
## Función de carga alta

Cuando el producto corta hierba larga o húmeda, el motor aumenta automáticamente las revoluciones. El motor regresa al modo normal cuando no se necesitan cargas altas.

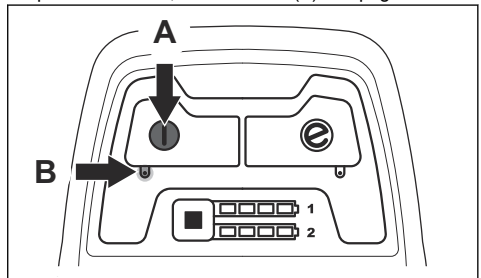
## Para detener el producto

El producto se detiene automáticamente si no se utiliza durante 10 minutos. Apague siempre la llave de seguridad poniéndola en la posición 0 antes de dejar el producto fuera de la vista.

1. Suelte la palanca del freno del motor para detener el motor.

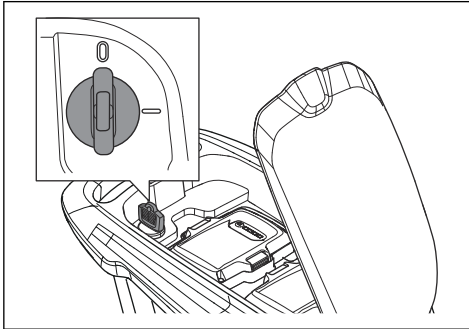


2. Pulse el botón de encendido/apagado (A) en el panel de control; el LED verde (B) se apaga.

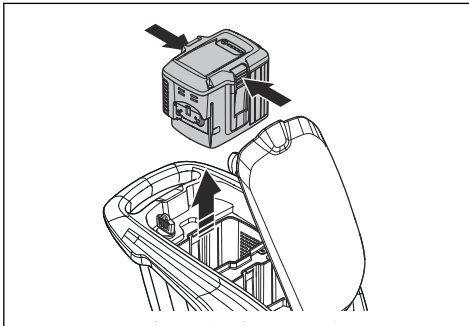




3. Abra la tapa de la batería y gire la llave de seguridad hasta 0.



4. Para extraer la batería, presione los dos botones de liberación y tire de ella hacia fuera.



5. Cargue la batería si está baja. Para obtener más información, consulte *Para cargar la batería en la página 151*.

## Para obtener un buen resultado

- Use siempre una cuchilla afilada. Una cuchilla roma proporciona un resultado irregular y la superficie de corte de la hierba adquiere un tono amarillo. Una cuchilla afilada también utiliza menos energía que una cuchilla roma.
- No corte más de  $\frac{1}{3}$  de la longitud del césped. Corte primero con una altura de corte alta. Examine el resultado y baje la altura de corte al nivel que corresponda. Si la hierba está muy larga, vaya despacio y corte dos veces si es necesario.
- Corte en direcciones distintas cada vez para evitar crear rayas en el césped.
- Mantenga limpia la cubierta del equipo de corte. La acumulación de hierba y suciedad en el interior de esta cubierta puede reducir el resultado del corte. Consulte la sección *Limpieza del producto en la página 154*.

## Mantenimiento

### Introducción



**ADVERTENCIA:** Antes de realizar cualquier trabajo de mantenimiento, debe leer y entender el capítulo sobre seguridad.

Para todos los trabajos de mantenimiento y reparación del producto, es necesario realizar una formación especial. Nosotros garantizamos que los trabajos de mantenimiento y reparación sean realizados por profesionales. Si su distribuidor no es un taller de

servicio, pídale información sobre el taller de servicio más cercano.

### Programa de mantenimiento

Los intervalos de mantenimiento se calculan a partir del uso diario del producto. Los intervalos cambian si el producto no se utiliza a diario.

Para las tareas de mantenimiento identificadas con un \*, consulte las instrucciones de *Dispositivos de seguridad en el producto en la página 145*.

	A cada uso	Mensual	Cada temporada
Inspección general	X		
Limpie el producto	X		
Realice una comprobación del inhibidor de arranque *	X		
Compruebe que los dispositivos de seguridad del producto no estén defectuosos *	X		

	A cada uso	Mensual	Cada temporada
Inspeccione el equipo de corte	X		
Examine la cubierta de corte *	X		
Realice una comprobación de la palanca del freno del motor *	X		
Asegúrese de que el botón de encendido/apagado funciona correctamente y que no está defectuoso	X		
Examine la batería en busca de posibles daños	X		
Compruebe la carga de la batería	X		
Compruebe que los botones de liberación de la batería funcionan correctamente y que la batería se acopla al producto	X		
Examine el cargador de la batería para ver si está dañado y asegúrese de que funciona correctamente.		X	
Examine las conexiones entre la batería y el producto. Examine también la conexión entre la batería y el cargador de batería.			X

## Para realizar una inspección general

- Asegúrese de que las tuercas y los tornillos del producto estén bien apretados.
- Asegúrese de que los cables del producto no están en una posición en la que puedan resultar dañados.

## Limpieza del producto

- Limpie las piezas de plástico con un paño limpio y seco.
- No utilice agua para limpiar el producto. El agua puede entrar en la batería o el motor y causar un cortocircuito o daños en el producto.
- No utilice un equipo de limpieza a alta presión para limpiar el producto.
- No vierta agua directamente sobre el motor.
- Use un cepillo para retirar las hojas, la hierba y la suciedad.

## Para limpiar la batería y el cargador de la batería



**ADVERTENCIA:** No limpie la batería o el cargador con agua.

- Asegúrese de que batería y cargador estén limpios y secos antes de colocar la batería en el cargador.
- Limpie los bornes de la batería con aire comprimido o con un paño suave y seco.
- Limpie las superficies de la batería y el cargador con un paño suave y seco.

## Para inspeccionar el equipo de corte



**ADVERTENCIA:** Para evitar un arranque accidental, gire la llave de seguridad hasta la posición 0, retire la batería y espere al menos 5 segundos.



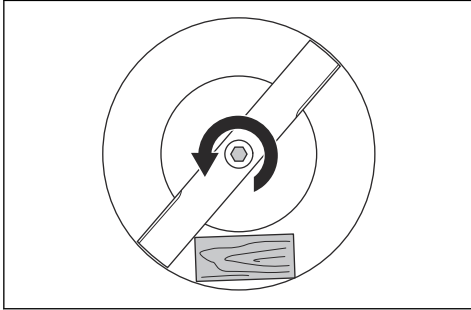
**ADVERTENCIA:** Utilice guantes protectores cuando realice el mantenimiento del equipo de corte. La cuchilla está muy afilada y se pueden producir cortes con mucha facilidad.

1. Inspeccione el equipo de corte para comprobar si presenta daños o grietas. Sustituya siempre un equipo de corte dañado.
2. Inspeccione la cuchilla para comprobar si está dañada o roma.

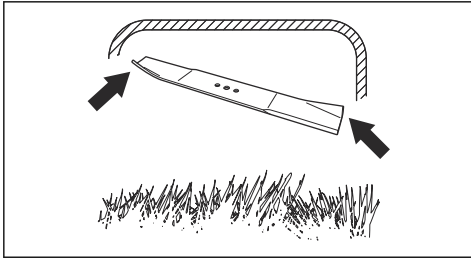
**Nota:** Después de afilar la cuchilla, es necesario equilibrarla. El afilado, la sustitución y el equilibrado de la cuchilla deben realizarse en un centro de servicio. Si choca con un obstáculo que haga que el producto se pare, sustituya la cuchilla dañada. Lleve el producto a un centro de servicio, donde estimarán si la cuchilla puede afilarse o debe sustituirse.

## Para sustituir la cuchilla

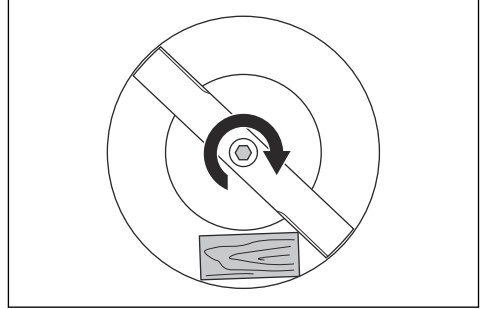
1. Bloquee la cuchilla con un bloque de madera.



2. Extraiga el tornillo de la cuchilla.
3. Desmonte la cuchilla.
4. Inspeccione el soporte de la cuchilla y el tornillo de la cuchilla para comprobar si presentan daños.
5. Inspeccione el eje del motor para asegurarse de que no está doblado.
6. Cuando instale la nueva cuchilla, colóquela con los extremos en ángulo en dirección a la cubierta de corte.



7. Asegúrese de que la cuchilla quede alineada con el centro del eje del motor.
8. Bloquee la cuchilla con un bloque de madera. Coloque la arandela elástica, y apriete el perno y la arandela con un par de 23–28 Nm.



9. Mueva la cuchilla en distintas direcciones manualmente y compruebe que gira libremente.



**ADVERTENCIA:** Use guantes resistentes. La cuchilla está muy afilada y se pueden producir cortes con mucha facilidad.

10. Arranque el producto para hacer una prueba de la cuchilla. Si la cuchilla no está correctamente fijada, se produce una vibración en el producto o el resultado de corte no es satisfactorio.

## Resolución de problemas

### Batería

Indicador LED de la batería	Causa	Solución
El LED verde parpadea.	La tensión de la batería es baja.	Cargue la batería. Consulte la sección <i>Para cargar la batería en la página 151</i> .

Indicador LED de la batería	Causa	Solución
El LED de error parpadea.	La batería está baja.	Cargue la batería. Consulte la sección <i>Para cargar la batería en la página 151</i> .
	La temperatura en el entorno de trabajo es demasiado alta o demasiado baja.	Utilice la batería con temperaturas de entre -10 °C y 40 °C.
	Sobretensión.	Compruebe que la tensión de la red eléctrica es la misma que la que figura en la placa de características del producto.  Retire la batería del cargador. Espere 5 segundos y vuelva a intentar cargar la batería. Si el problema persiste, diríjase a un taller de servicio autorizado.
El LED de error está encendido.	La diferencia entre las celdas es demasiado grande (1 V).	Acuda a un taller de servicio autorizado.

## Cargador de baterías

LED del cargador de batería	Causa	Solución
El LED de error parpadea.	La temperatura en el entorno de trabajo es demasiado alta o demasiado baja.	Utilice el cargador de batería con temperaturas de entre 5 °C y 40 °C.
El LED de error está encendido.		Acuda a un taller de servicio autorizado.

## Panel de control

Si observa problemas distintos de los que se indican en esta sección, póngase en contacto con su taller de servicio.

Teclado	Código de error (Número de destellos)	Posibles errores	Posible acción
El LED de error parpadea	3	El producto está sobrecargado	Aumente la altura de corte. Consulte <i>Para ajustar la altura de corte en la página 150</i> .
	5	El régimen del motor descien- de demasiado y el motor se detiene	
	10	El control del motor está de- masiado caliente	Detenga el motor y espere hasta que se haya enfriado
	2	La cuchilla está bloqueada.	Para evitar un arranque accidental, gire la llave de seguridad hasta la posición 0, retire la batería y espere al menos 5 segundos. Asegúrese de que la cuchilla pueda girar libremente. Si el problema persiste, diríjase a un taller de servicio oficial
	9	Error de batería o ausencia de señal de la batería	Coloque la batería en el producto correc- tamente y examine el conector de la ba- tería. Si el LED de error de la batería parpadea, consulte <i>Batería en la página 150</i> .
El producto se de- tiene	8	La batería está baja	Cargue la batería. Consulte <i>Para cargar la batería en la página 151</i> .
	0	Fallo del conector de la bate- ría	Examine el conector de la batería

## Transporte, almacenamiento y eliminación

### Introducción



**ADVERTENCIA:** Para evitar un arranque imprevisto durante el transporte, gire la llave de seguridad hasta la posición 0, retire la batería y espere al menos 5 segundos.

### Transporte

- Las disposiciones de la legislación sobre mercancías peligrosas se aplican a las baterías de iones de litio incluidas en el producto.
- Para los transportes comerciales, se deben acatar los requisitos especiales sobre embalajes y etiquetas.
- Asegúrese de que se cumplan las disposiciones sobre materiales peligrosos cuando prepare el producto para su transporte. Se pueden aplicar las regulaciones locales.
- No olvide extraer la batería para el transporte.

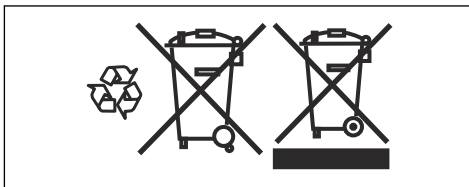
- Coloque cinta aislante en los conectores de la batería y asegúrese de que la batería no se desplace durante el transporte.
- Fije el producto durante el transporte.

### Almacenamiento

- Extraiga siempre la batería para el almacenamiento.
- Para evitar accidentes, asegúrese de que la batería no esté conectada al producto durante el almacenamiento.
- Mantenga el cargador de batería en un lugar cerrado y seco.
- Mantenga la batería y el cargador de batería en un lugar seco donde no haya humedad ni escarcha.
- Cuando guarde la batería, desconéctela del cargador.
- No almacene la batería en lugares donde pueda generarse electricidad estática. No guarde la batería en una caja metálica.
- Conserve la batería en un lugar con una temperatura entre 5 °C y 25 °C y alejada de la luz solar.

- Conserve el cargador de batería en un lugar con una temperatura entre 5 °C y 45 °C y alejada de la luz solar.
- Asegúrese de que la batería esté cargada al 30 %-50 % antes de guardarla durante largos periodos de tiempo.
- Mantenga el producto, la batería y cargador de batería en un lugar bajo llave fuera del alcance de los niños y de personas sin autorización.
- Limpie el producto y realice un mantenimiento completo antes de almacenarlo durante un periodo de tiempo prolongado.

impacto negativo para el medio ambiente y las personas que podría darse por una gestión incorrecta de los residuos del mismo. Si desea información más detallada sobre el reciclaje de este producto, póngase en contacto con su ayuntamiento, el servicio de recogida de basuras o la tienda donde lo adquirió.



## Eliminación

Los símbolos del producto o del embalaje del producto indican que este producto no puede desecharse como residuo doméstico. Debe enviarse a una estación de reciclaje apropiada para la recuperación de piezas eléctricas y electrónicas.

Si se asegura de que se trata este producto correctamente, puede ayudar a contrarrestar el posible

## Datos técnicos

	<b>LB 146i</b>
<b>Motor de corte</b>	
Tipo de motor	BLDC (sin cepillo) 36 V
Velocidad del motor - SavE, rpm	2600
Velocidad del motor - nominal, rpm	3000
Régimen del motor - carga alta, rpm	3500
Potencia del motor (máx.), kW	1,05
Potencia del motor (nominal), kW	0,9
Límite de sobrecorriente (límite de corriente: 900W-27A)	27 (+/-) 1A
<b>Peso</b>	
Peso sin batería, kg	16,9
<b>Batería</b> <sup>25</sup>	
Tipo de batería	Serie con batería Husqvarna
<b>Duración de la batería</b>	
Autonomía de la batería, min., (funcionamiento continuo) con modo SavE activado, con una batería Husqvarna de 5,2 Ah (BLi200).	77
Autonomía de la batería, min., (funcionamiento continuo) con modo estándar activado, con una batería Husqvarna de 5,2 Ah (BLi200).	45
<b>Emisiones de ruido</b> <sup>26</sup>	

<sup>25</sup> Para obtener los mejores resultados y un mejor rendimiento, se recomienda la batería de Husqvarna BLi200.

<sup>26</sup> Emisiones sonoras en el entorno medidas como potencia acústica ( $L_{WA}$ ) según la directiva 2000/14/CE.

	<b>LB 146i</b>
Nivel de potencia acústica, dB(A) medidos	90
Nivel de potencia acústica garantizado L <sub>WA</sub> dB(A)	91
<b>Niveles acústicos</b> <sup>27</sup>	
Nivel de presión sonora en el oído del operario, dB(A)	79
<b>Niveles de vibraciones</b> <sup>28</sup>	
Manillar, m/s <sup>2</sup>	0,9
<b>Equipo de corte</b>	
Altura de corte, mm	35-70 mm
Anchura de corte, cm	46
Cuchilla	BioClip
Referencia	5947022-10

Baterías homologadas	Tipo	Capacidad de la batería, Ah	Tensión, V	Peso, lb/kg
BLi20	Iones de litio	4,0	36	2,6/1,2
BLi200	Iones de litio	5,2	36	2,8/1,3
BLi300	Iones de litio	9,4	36	4,2/1,9

Cargadores de baterías homologados para las baterías especificadas, BLi	Tensión de entrada, V	Frecuencia, Hz	Potencia, W
QC80	100-240	50-60	100
QC80F	10-15	N/D	95
QC330	100-240	50-60	330
QC500	100-240	50-60	500
40-C80	100-240	50-60	68,8

<sup>27</sup> Los datos referidos del nivel de presión sonora tienen una dispersión estadística habitual (desviación típica) de 1,2 dB (A).

<sup>28</sup> Los datos referidos del nivel de vibración poseen una dispersión estadística habitual (desviación típica) de 0,2 m/s<sup>2</sup>. Vibración estándar EN 60335-2-77:2017 capítulo 20.105

---

# Declaración de conformidad CE

---

## Declaración de conformidad CE

**Husqvarna AB**, SE-561 82 Huskvarna (Suecia), tel.: +46-36-146500, declara que el **cortacésped Husqvarna LB 146i** del año 2021 y siguientes cumple los requisitos expuestos en la DIRECTIVA DEL CONSEJO:

- del 8 junio de 2011 sobre la "restricción de utilización de determinadas sustancias peligrosas" **2011/65/UE**.
- de 17 de mayo de 2006 "relativa a máquinas", **2006/42/CE**.
- de 26 de febrero de 2014 "relativa a compatibilidad electromagnética", **2014/30/UE**.
- de 8 de mayo de 2000 "relativa a emisiones sonoras en el entorno", **2000/14/CE**.

Para obtener información respecto a las emisiones sonoras, consulte la sección sobre datos técnicos.

Se han aplicado las normas siguientes:

**EN 60335-1:2012+A11:2014+A13:2017, EN 60335-2-77:2010, EN 62233:2008, EN 55014-1:2017+A11:2020, EN 55014-2:2015, EN IEC 63000:2018**

Si no se indica lo contrario, las normas anteriormente indicadas constituyen las últimas versiones publicadas.

Organismo notificado: **0404, RISE SMP Svensk Maskinprovning AB, Box 7035, SE-750 07 Uppsala** ha realizado una evaluación de conformidad según lo que se indica en el Anexo VI de la Directiva 2000/14/CE.

Huskvarna, 2021-10-30



Claes Losdal, Director de desarrollo/productos para el jardín (representante autorizado de Husqvarna AB y responsable de la documentación técnica).



## Sisukord

Sissejuhatus.....	161	Veaotsing.....	176
Ohutus.....	163	Transportimine, hoiuolepanek ja utiliseerimine.....	177
Kokkupanek.....	170	Tehnilised andmed.....	178
Töö.....	171	EÜ vastavusdeklaratsioon.....	180
Hooldamine.....	174		

## Sissejuhatus

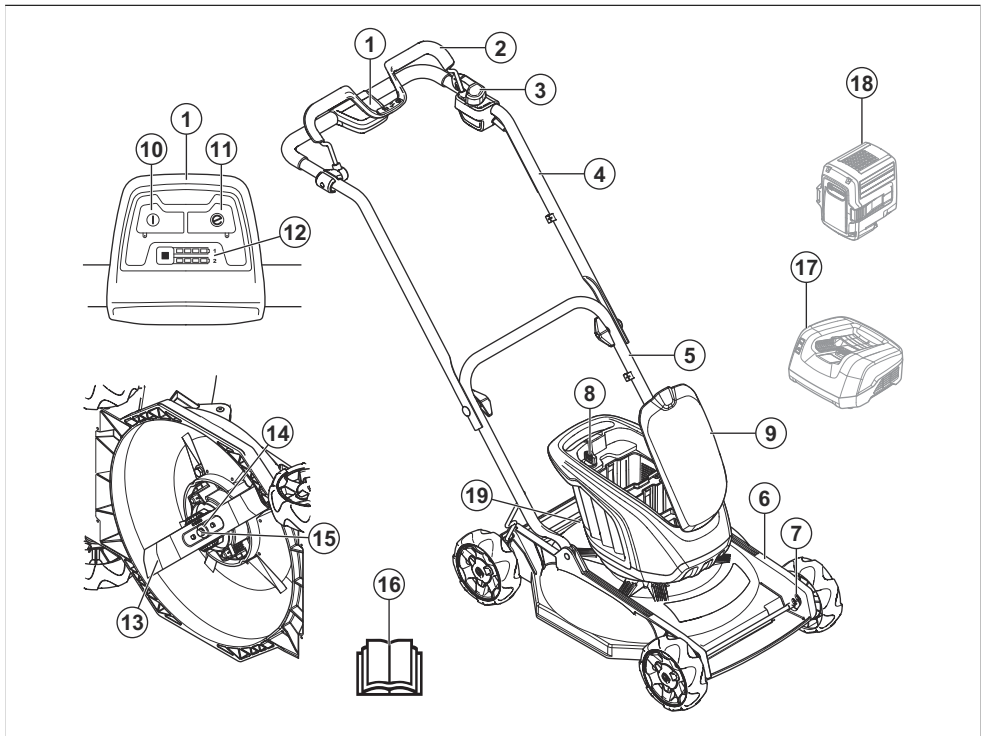
### Seadme kirjeldus

Toode on lükatav pöörleva lõiketeraga muruniiduk, mis kasutab muru väetiseks lõikamiseks süsteemi BioClip.

### Kasutusotstarve

Kasuta toodet muru pügamiseks. Ära kasuta toodet muude tööde tegemiseks.

### Toote tutvustus



1. Juhtpaneel
2. Mootori pidurikäepide
3. Käivitustõkesti
4. Ülemine käepide
5. Alumine käepide
6. Lõikekorpus
7. Lõikekõrguse regulaator
8. Ohutuslülit
9. Akukate
10. Sisse- ja väljalülitusnupp
11. SavE-nupp
12. Aku laadimisindikaator ja aku nupp
13. Lõikeketas
14. Vedruseib

15. Lõikeketta pölv
16. Kasutusjuhend
17. Akulaadija (lisatarvik)
18. Aku (lisatarvik)
19. Andmesilt QR-koodiga

## Sümbolid tootel



Hoiatus! Hooletu või väär käsitsemine võib põhjustada kehavigastusi või surma kasutajale või juuresolijaile.



Enne seadme kasutamist loe kasutusjuhend hoolikalt läbi ja veendu, et kõik juhised oleksid täiesti arusaadavad.



Teised inimesed ja loomad peavad viibima tööalast ohutus kauguses.



Olge ettevaatlik - lenduvad esemed ning tagasipõrkumise oht.



Hoiatus! Hoidke käed ja jalad pöörlevast terast eemal.



Hoiatus! Hoidke käed ja jalad pöörlevatest osadest eemal.



Enne remondi- või hooldustöö alustamist eemaldage ohutusvõti.



Ärge jätke vihma kätte.



Toode või toote pakend ei kuulu olmejäätmete hulka. Toimetage see elektri- ja elektroonikajäätmete ringlussevõtukeskusesse.



See seade vastab kehtivatele EÜ direktiividele.



See seade vastab kehtivatele Euraasia Tõlliliidu direktiividele.



See seade vastab kehtivatele UkrSEPRO direktiividele.



See seade vastab kehtivatele RCMi direktiividele. Kehtib ainult Austraalias ja Uus-Meremaal



Ümbristevasse keskkonda leviv müra vastavalt Euroopa Ühenduse direktiivile. Seadme müratase on ära toodud tehniliste

andmete peatükis ja etiketil.

## IPX1 IPX1 – pritsmekindel



Käivitamine:  
vajutage nuppu  
ON/OFF, ava-  
ge käivitusta-  
kisti, lükake  
mootori piduri-  
käepide alla.



Seiskamiseks  
vabastage mootori  
pidurikäepide.

**Märkus:** Ülejäänud seadmel toodud sümbolid/  
tähised vastavad teatud riikides kehtivatele  
sertifitseerimisnõuetele.

### Silt seadmel



OHT! Hoidke käed ja jalad eemal.

## Tootevastutus

Tootevastutusseaduste alusel ei  
vastuta me tootest tingitud  
kahjustuste eest, kui:

- toodet on valesti parandatud;
- toote parandamisel on kasutatud osi, mis ei ole tootja poolt valmistatud või heaks kiidetud;
- tootel on kasutatud tarvikut, mis ei ole tootja poolt valmistatud või heaks kiidetud;
- toodet ei ole parandatud volitatud hoolduskeskuses või volitatud isiku poolt.

## Ohutus

### Ohutuse määratlused

Mõistetega „hoiatus”, „ettevaatust” ja „märkus” juhitakse tähelepanu eriti olulistele kohtadele kasutusjuhendis.



**HOIATUS:** Tähistab kasutusjuhendi juhiste eiramise korral kasutaja või kõrvalseisjate kehavigastuse või

surmaga lõppeva õnnetuse ohtu.

---



### **ETTEVAATUST:**

Tähistab kasutusjuhendi juhiste eiramise korral seadme, muude esemete või läheduses asuvate objektide kahjustamise ohtu.

---

**Märkus:** Tähistab antud olukorras vajalikku lisateavet.

---

### **Üldised ohutuseeskirjad**

---



**HOIATUS:** Enne seadme kasutamist lugege läbi järgnevad hoiatused.

---

- Toode on ohtlik, kui seda kasutada valesti või ettevaatamatult. Ohutuseeskirjade eiramine võib põhjustada kehavigastuse või surma.
- Seade tekitab töötades elektromagnetvälja. Teatud tingimustel võib väli häirida aktiivsete või passiivsete meditsiiniliste implantaatide tööd. Raskete või surmaga lõppevate kehavigastuste ohu vähendamiseks soovitame meditsiinilisi implantaate

kasutataval inimestel pidada enne selle seadme kasutamist nõu oma arsti ja implantaadi valmistajaga.

- Olge alati ettevaatlik ja kasutage tervet mõistust. Kui te pole kindel, kuidas toodet eriolukorras kasutada, lõpetage töö ja pidage enne jätkamist nõu Husqvarna edasimüüjaga.
- Arvestage, et teiste isikute ja nende varaga seotud õnnetuste korral kannab vastutust seadme kasutaja.
- Hoidke toode puhas. Veenduge, et märgid ja tähised oleksid selgelt loetavad.
- Ärge kunagi lubage lastel või nende juhistega mittetutvunud inimestel seadet kasutada. Kohalikud kehtivad eeskirjad võivad piirata kasutaja lubatud vanust
- Kui toodet kasutab piiratud füüsiliste või vaimsete võimetega isik, peab ta olema kogu aeg järelevalve all. Vastutusvõimeline täiskasvanu peab kogu aeg kasutaja juures viibima.
- Ärge kasutage toodet, kui olete väsinud, haige või tarvitanud alkoholi, narkootikume või ravimeid.

Sellel on negatiivne mõju teie nägemisele, tähelepanuvõimele, liikumisele ja otsustamisvõimele.

- Ärge kasutage toodet, kui see on kahjustatud.
- Ärge muutke toodet ega kasutage seda, kui keegi teine võib olla seda muutnud.

## Tööala ohutus



**HOIATUS:** Enne seadme kasutamist lugege läbi järgnevad hoiatused.

---

- Enne toote kasutamist eemaldage tööalalt oksad ja kivid.
- Lõikeosaga kokku puutuvad esemed võivad õhku paiskuda ning inimesi vigastada ja esemeid kahjustada. Juuresolijad ja loomad peavad viibima tootest ohutus kauguses.
- Ärge kasutage toodet halva ilmaga, näiteks udu, vihma, tugeva tuule, tugeva pakase ja pikseohu korral. Tootte kasutamine halva ilma ning niiskete ja märgade tingimuste korral on väsitav. Halb ilm võib põhjustada ohtlikke tingimusi (nt libedaid pindu).
- Suhtuge tähelepanelikult inimestesse, esemetesse ja

olukordadesse, mis võivad takistada toote ohutut kasutamist.

- Olge ettevaatlik takistuste (nt juurte, kivide, oksade, aukude ja kraavide) suhtes. Kõrge rohi võib peita takistusi.
- Muru niitmine kallakutel võib olla ohtlik. Ärge niitke väga järskudel nõlvadel. Ärge kasutage toodet alal, mille kalle ületab 15°
- Kaldpinnal suunda muutes olge äärmiselt ettevaatlik. Kasutage toodet kallakul risti liikudes. Ärge liikuge üles ja alla.
- Olge ettevaatlik varjatud nurkade ja vaatevälja varjavate esemete läheduses.

## Tööohutus



**HOIATUS:** Enne seadme kasutamist lugege läbi järgnevad hoiatused.

---

- Kasutage seda toodet ainult muru niitmiseks. Muude toimingute tegemiseks toodet kasutada ei tohi.
- Kasutage isikukaitsevahendeid. Vt jaotist *Isikukaitsevahendid lk 167*.
- Veenduge, et teate, kuidas hädaolukorras mootorit kiiresti seisata.

- Toodet ei tohi kasutada vihma käes või märjas keskkonnas. Toote sisse pääsenud vesi suurendab elektrilöögi ohtu.
- Ärge kasutage toodet enne, kui löiketera ja katted on õigesti kinnitatud. Valesti kinnitatud löiketera võib lahti tulla ja inimesi vigastada.
- Veenduge, et löiketera ei puutuks kokku esemetega (nt kivide ja juurtega). See võib löiketera kahjustada ja põhjustada mootori võlli väändumist. Paindega telg põhjustab tugevat vibratsiooni ja suurt löiketera lahtitulemise ohtu.
- Kui löiketera puutub kokku mõne esemega või esineb vibratsioon, peatage toode viivitamatult. Seisake mootor, keerake ohutuslüli asendisse 0 ja eemaldage aku. Kontrollige toodet kahjustuste suhtes. Parandage kahjustused või laske toodet remontida volitatud hooldustöökojas.
- Kui mootor töötab, ärge kinnitage kunagi mootori pidurikäepidet püsivalt käepideme külge.
- Asetage toode stabiilsele ja tasasele pinnale ning käivitage see. Veenduge, et löiketera ei puutuks vastu maad ega muid esemeid.
- Olge toote kasutamisel alati toote taga.
- Toote kasutamisel hoidke mõlema käega käepidemest ja kõik toote rattad maas. Hoidke käed ja jalad liikuvatest teradest eemal.
- Kui mootor on käivitatud, ärge kallutage toodet.
- Olge toote tagasisuunas tõmbamisel ettevaatlik.
- Kui mootor on käivitatud, ärge tõstke toodet. Kui teil on vaja toode üles tõsta, seisake esmalt mootor, keerake ohutuslüli asendisse 0 ja eemaldage aku.
- Ärge kõndige toote kasutamise ajal tagurpidi.
- Seisake mootor, kui liigute alal, kus pole muru, näiteks kruusa-, kivi- ja asfaltkattega teedel.
- Ärge lükake toodet joostes, kui mootor on käivitatud. Toote kasutamise ajal kõndige.
- Enne löikamiskõrguse muutmist seisake mootor. Ärge tehke seadistusi, kui mootor töötab.
- Ärge laske toodet silmist, kui mootor töötab. Seisake mootor ja veenduge, et löikeosa ei pöörleks.

## Ohutusjuhised kasutamisel

### Isikukaitsevahendid



**HOIATUS:** Enne seadme kasutamist lugege läbi järgnevad hoiatused.

- Isikukaitsevarustus ei välista täielikult kehavigastuste ohtu, kuid vähendab õnnetusjuhtumi korral kehavigastuse raskusastet. Õige varustuse valimiseks pöörduge edasimüüja poole.
- Kandke vastupidavaid saapaid või jalatseid, mis on libisemiskindlad. Ärge kandke avatud jalatseid ega olge paljajalu.
- Kandke tugevaid pikki pükse.
- Vajaduse korral kandke kaitsekindaid, näiteks löikeosa kinnitades, kontrollides või puhastades.

### Toote ohutusseadised



**HOIATUS:** Enne seadme kasutamist lugege läbi järgnevad hoiatused.

- Ärge kunagi kasutage seadet, kui selle ohutusseadised on defektsed.
- Kontrollige ohutusseadiseid regulaarselt. Kui ohutusseadised on defektsed, pöörduge Husqvarna hooldustöökotta.

### Löikeosa katte kontrollimine

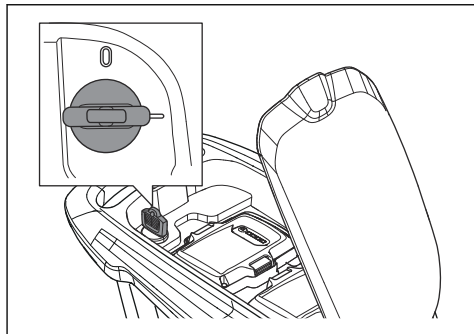
Löikeosa kate vähendab toote vibratsiooni ja löiketerast tingitud vigastuste ohtu.

- Kontrollige löikeosa kahjustuste (nt pragude) suhtes.

### Ohutusüliliti

Ohutusüliliti asub akukaane all. Ohutusüliliti abil ühendatakse aku, mis varustab mootori toitega.

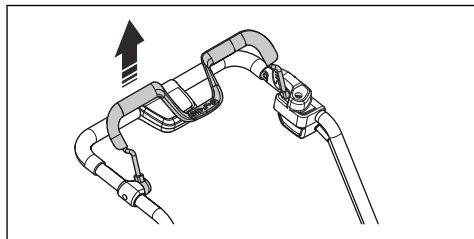
- Ohutusüliliti kontrollimiseks käivitage ja seisake mootor.
- Kui ohutusüliliti on töökorras, siis käivitub mootor üksnes ohutusüliliti keeramisel asendisse 1.



### Mootori pidurikäepide

Mootori pidurikäepideme abil saab mootori seisata. Mootori pidurikäepideme vabastamisel mootor seiskub.

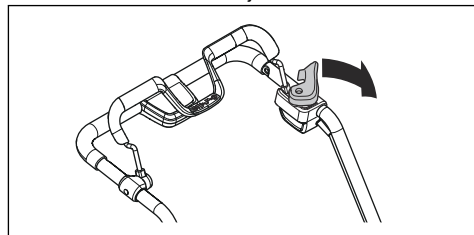
Mootoripiduri kontrollimiseks käivitage mootor ja vabastage mootori pidurikäepide. Kui mootor kolme sekundi jooksul ei seisku, laske mootoripidurit Husqvarna volitatud hooldustöökogas reguleerida.



### Käivitusõlkesti kontrollimine

Kontrollige, kas käivitusõlkesti takistab mootori tööd.

1. Lükake mootori pidurikäepidet juhtraua suunas. Käivitusõlkesti peatab liikumise.
2. Lükake käivitusõlkesti välja.



3. Laske käivitustökesti lahti ja veenduge, et see läheks tagasi lähteasendisse.

## Aku ohutus

---



**HOIATUS:** Enne seadme kasutamist lugege läbi järgnevad hoiatused.

---

- Kasutage seotud Husqvarna toodete toiteallikana alati üksnes Husqvarna taaslaetavaid akusid. Kehavigastuse vältimiseks ärge kasutage akut muude seadmete toiteallikana.
- Ärge kasutage mittetaaslaetavaid akusid.
- Elektrilöögioht! Ärge ühendage akuklemme võtmete, müntide, kruvide või muude metallesemetega. See võib tekitada akus lühise.
- Ärge asetage esemeid aku õhuavade sisse ja ette.
- Vältige aku kokkupuudet otsese päikesevalguse, kuumuse ja lahtise leegiga. Aku võib plahvatada ja põhjustada põletusi ja/või keemilisi põletusi.
- Vältige aku kokkupuudet vihma ja märja keskkonnaga.
- Vältige aku kokkupuudet mikrolainete ja kõrgsurvega.
- Ärge demonteerige ega lõhkuge akut.

- Aku lekke korral vältige vedeliku kokkupuudet keha ja silmadega. Kui vedelik satub kehale, puhastage kokkupuutunud ala rohke veega ja seejärel pöörduge arsti poole.
- Kasutage akut keskkonnas, mille temperatuur jääb vahemikku  $-10$  kuni  $40$  °C.
- Ärge puhastage akut või akulaadijat veega. Vt jaotist *Aku ja akulaadija puhastamine lk 175*.
- Ärge kasutage defektset või kahjustatud akut.
- Ladustage akusid metallesemetest (nt naelad, mündid, ehted) eemal.

## Akulaadija ohutus

---



**HOIATUS:** Enne seadme kasutamist lugege läbi järgnevad hoiatused.

---

- Kasutage Husqvarna asendusakude laadimiseks ainult QC akulaadijaid.
- Elektrilöögi ja lühise oht. Ärge asetage esemeid laadija õhuavade sisse ja ette. Ärge püüdke akulaadijat lahti monteerida. Ärge ühendage laadija klemme metallesemete külge. Kasutage heakskiidetud võrgupistikupesa.



- Seade tekitab töötades elektromagnetvälja. Teatud tingimustel võib väli häirida aktiivsete või passiivsete meditsiiniliste implantaatide tööd. Raskete või surmaga lõppevate kahjustuste ohu vähendamiseks soovime meditsiinilisi implantaate kasutataval inimestel pidada enne selle toote kasutamist nõu oma arsti ja implantaadi valmistajaga.
- Kontrollige regulaarselt, kas akulaadija toitejuhe on kahjustada saanud ja kas sellel on pragusid.
- Ärge tõstke akulaadijat toitejuhtmest hoides. Akulaadija võrgupistikupesast lahutamiseks tõmmake pistikut. Ärge tõmmake toitejuhet.
- Vältige toitejuhtme ja pikendusjuhtme kokkupuudet vee, õli ja teravate servadega. Jälgige, et juhe ei jääks uste, väravate jms vahele. See võib põhjustada laadija sattumise pingele alla.
- Ärge puhastage akulaadijat veega.
- Akulaadijat võivad kasutada lapsed alates 8. eluaastast ja isikud, kellel on vähenenud füüsilised, sensoorsed või vaimsed võimed või puudulikud teadmised ja kogemused, kui neid jälgib või juhendab vastutav isik, kes tagab, et nad kasutavad akulaadijat ohutult ning mõistavad seotud ohtusid. Lapsed ei tohi akulaadijaga mängida. Lapsed ei tohi seadet ilma järelevalveta puhastada ega hooldada.
- Ärge laadige akulaadijas mittelaetavaid akusid.
- Ärge kasutage akulaadijat tuleohtlike või korrosiooni tekitavate materjalide läheduses. Ärge katke akulaadijat. Suitsu või tule tekke korral eemaldage pistik akulaadijast.
- Ärge kunagi kasutage defektset või kahjustunud akulaadijat.
- Laadige akut ainult hea õhuvahetusega siseruumis ja päikesevalguse eest kaitstuna. Ärge laadige akut märjas keskkonnas.

### Ohutusjuhised hooldamisel



**HOIATUS:** Enne seadme kasutamist lugege läbi järgnevad hoiatused.

- Hooldustööde ajal juhusliku käivitumise vältimiseks

- keerake ohutuslüli asendisse 0 ja eemaldage aku. Enne hooldustööde alustamist oodake vähemalt viis sekundit.
- Toote kasutusea tõstmiseks ja õnnetuste ohu vähendamiseks tehke kõik hooldustööd korrektselt. Laske professionaalsed parandustööd teha volitatud hooldustöökojas. Lisateavet küsige lähimast hooldustöökojast.
  - Hooldage toodet ainult selle kasutusjuhendi järgi. Keerukamad tööd laske teostada volitatud hooldustöökojas.
  - Lõikeosa käsitsedes kandke alati tugevaid kindaid. Lõiketera on väga terav ja võib kergesti põhjustada lõikevigastusi.
  - Parima ja ohutuima töö tagamiseks hoidke lõikeservad teravana ja puhtana.
  - Laske hooldustöökojas toodet korrapäraselt kontrollida ning teha vajalikke seadistamisi ja parandusi.
  - Asendage kahjustatud, kulunud ja katkised osad.
  - Järgige tarvikute vahetamise juhiseid. Kasutage ainult tootja valmistatud tarvikuid.
  - Kui toodet ei kasutata, eraldage toode, aku ja akulaadija ning hoidke neid kuivas ja lukustatud siseruumis. Veenduge, et lastel ja ilma vastava volituseta kõrvalistel isikutel puuduks juurdepääs tootele, akule ja akulaadijale.

---

## Kokkupanek

---

### Sissejuhatus



**HOIATUS:** Enne toote kokkupanemist lugege läbi ohutust puudutat peatükk.



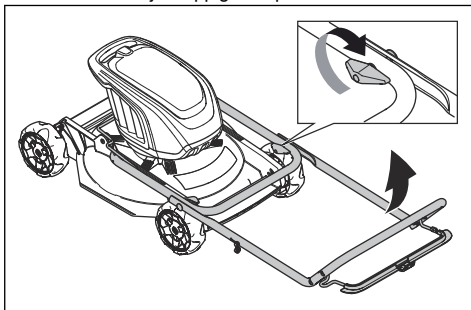
**HOIATUS:** Kokkupanemise ajal juhusliku käivitumise vältimiseks keerake ohutuslüli asendisse 0, eemaldage aku ja oodake vähemalt viis sekundit.

### Käepideme kokkupanek

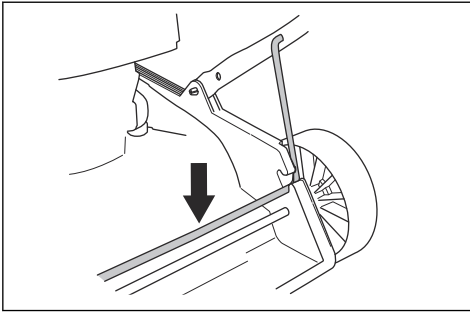


**ETTEVAATUST:** Ärge väänake juhtmeid.

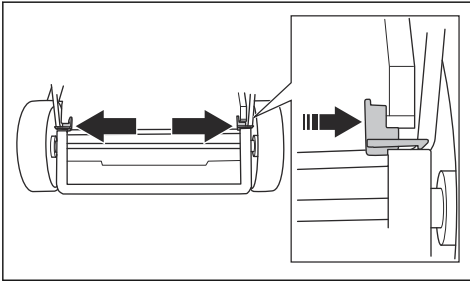
1. Seadke ülemise käepideme ja alumise käepideme avad kohakuti.
2. Keerake vasakul ja paremal küljel asuvad nupud täielikult kinni ja klappige käepide üles.



3. Asetage tugi löikekattel olevasse soonde.



4. Kinnitage kaks sulgurit, mis lukustavad aluse ja käepideme oma asendisse. Lükake need lõpuni oma kohale.



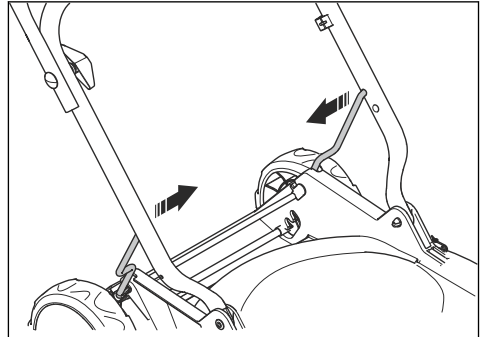
**Märkus:** Sulgureid on kaks. Ühel on tähis H ja teisel tähis V. Asetage H-tähisega sulgur paremale küljele ja V-tähisega sulgur vasakule küljele.



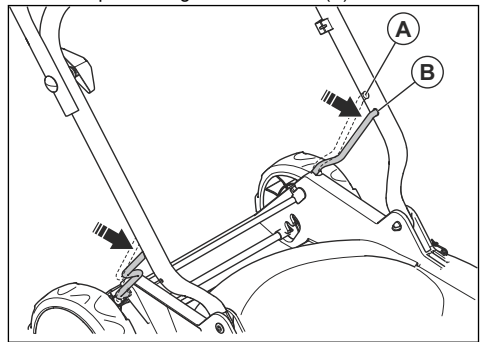
**ETTEVAATUST:** Kui need kaks sulgurit on paigaldamata, siis ei tohi toodet kasutada.

## Käepideme kõrguse reguleerimine

1. Eemaldage käepideme tugi alumise käepideme küljest.



- Käepideme kõrguse vähendamiseks pange käepideme tugi ülemisse auku (A).
- Käepideme kõrguse suurendamiseks pange käepideme tugi alumisse auku (B).



## Töö

### Sissejuhatus



**HOIATUS:** Enne seadme kasutamist lugege põhjalikult läbi ohutust puudutav jaotis.

### Husqvarna Connect

Husqvarna Connect on mobiilsideseadmetele mõeldud tasuta rakendus. Rakendus Husqvarna Connect annab teie Husqvarna tootele lisafunktsionaalsuse:

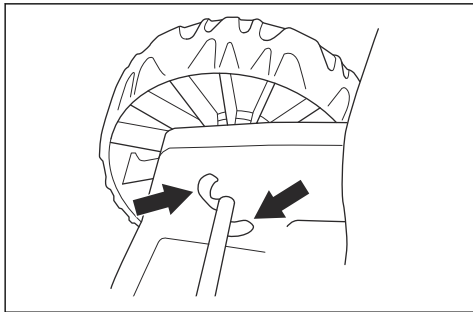
- Täiendav tooteteave.
- Toote osade ja hoolduse alane teave ja abi.

### Toote Husqvarna Connect kasutamise alustamine

- Laadige Husqvarna Connect rakendus oma mobiilsideseadmesse.
- Registreeruge Husqvarna Connect rakenduses.
- Toote ühendamiseks ja registreerimiseks järgige Husqvarna Connect rakenduse juhiseid.

## Lõikamiskõrguse reguleerimine

- Lükake kõigil neljal rattal vars välja ja liigutage õigesse asendisse.



**ETTEVAATUST:** Ärge seadistage lõikamiskõrgust liiga madalaks. Kui muru pole tasane, võivad lõiketerad puutuda vastu maad.

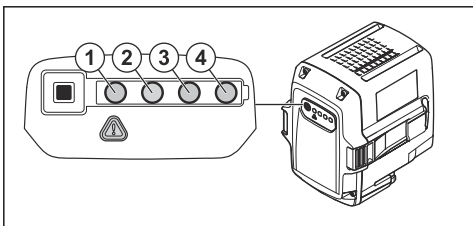
## Aku



**HOIATUS:** Enne aku kasutamist lugege läbi ohutust puudutav jaotis ja veenduge, et oleksite kõigest aru saanud. Samuti tuleb läbi lugeda aku ja akulaadija kasutusjuhend ning veenduda, et kogu teave on arusaadav.

## Aku olek

Ekraanil kuvatakse aku järelejäänud mahtuvus ja akuga seotud mis tahes probleemid. Aku mahtuvus kuvatakse viie sekundi jooksul pärast seadme väljalülitamist või akunäidiku nupu vajutamisel. Akul olev hoiatussümbol süttib tõrke ilmnemisel. Vt jaotist *Aku lk 176*.



LED-tuled	Aku olek
Kõik LED-tuled põlevad	Täis (75–100%).
LED 1, LED 2, LED 3 põlevad	Aku on laetud 50–75%
LED 1, LED 2 põlevad	Aku on laetud 25–50%
LED 1 põleb	Aku on laetud 0–25%
LED 1 vilgub	Aku on tühi. Laadige akut.

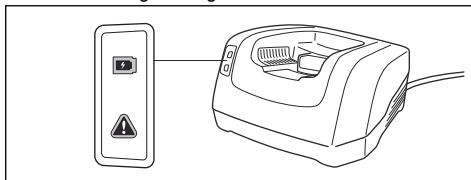
## Aku laadimine

Enne esimest kasutuskorda laadige aku täis. Kliendile tarnimisel on aku laetud üksnes 30% ulatuses.

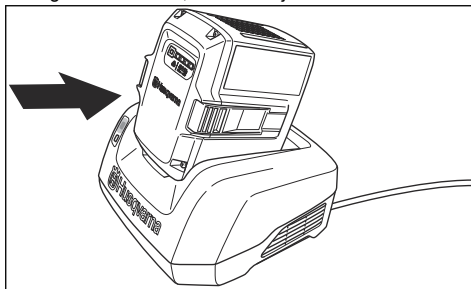
**Märkus:** Akulaadija tuleb ühendada tüübisildil näidatud pinge ja sagedusega võrku.

Aku laadimist ei toimu, kui aku temperatuur on üle 50 °C. Enne laadimise alustamist langetab akulaadija aku temperatuuri vajalikule tasemele.

- Ühendage akulaadija toitejuhtme üks ots akulaadija pesasse.
- Ühendage akulaadija toitejuhtme teine ots maandatud võrgupistikupesasse. Akulaadijal olev roheline märgutuli vilgub üks kord.



- Asetage aku akulaadijasse. Kui aku on akulaadijaga õigesti ühendatud, süttib laadijal roheline tuli.



- Kui aku kõik märgutuled põlevad, on aku täis. Ärge laadige akut kauem kui 24 tundi.
- Akulaadija toitejuhtme võrgupistikupesast lahutamisel tõmmake pistikust, mitte juhtmest.
- Eemaldage aku laadijast.

## Aku laadimisolek

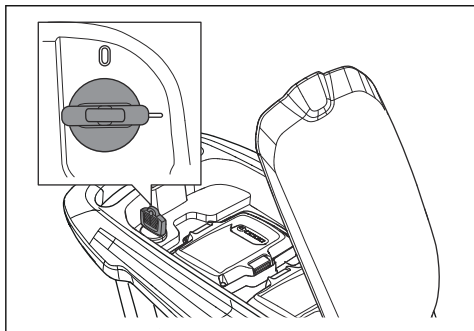
Husqvarna Liitium-ioonakut saab laadida ja kasutada kõikidel laadimisasemetel. Aku ei ole kahjustunud. Täis laetud aku ei tühjene, kui aku laadijasse jätta.

LED-näidik	Laadimisolek
LED 1 vilgub	0–25%
LED 1 põleb, LED 2 vilgub	25–50%
LED 1, LED 2 põlevad, LED 3 vilgub	50–75%

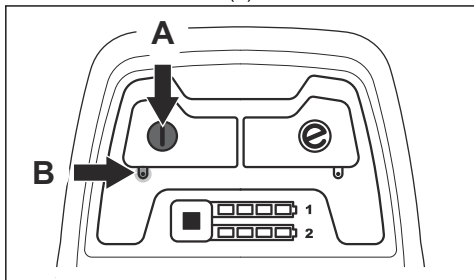
LED-näidik	Laadimisolek
LED 1, LED 2, LED 3 põlevad, LED 4 vilgub	75–100%
LED 1, LED 2, LED 3, LED 4 põlevad	Täielikult laetud

## Toote käivitamine

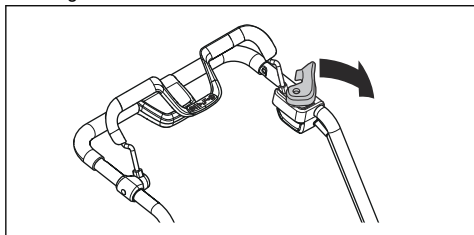
1. Asetage laetud aku akukaane all olevasse akukambrisse 1. Tööea pikendamiseks asetage teine laetud aku akukambrisse 2.
2. Keerake ohutusülili asendisse 1.



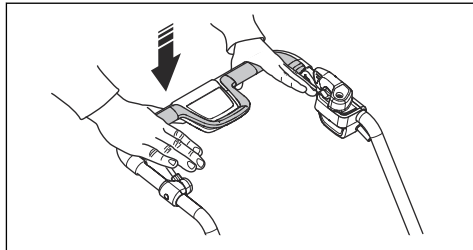
3. Olge toote taga.
4. Vajutage juhtimispaneelil nuppu ON/OFF (A) ja süttib roheline LED-tuli (B).



5. Avage käivitustõkesti.



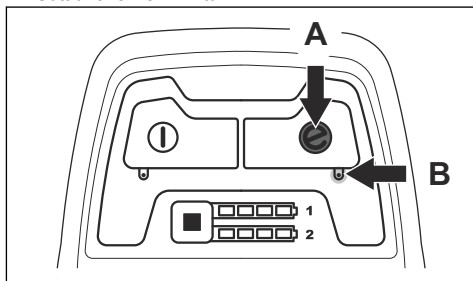
6. Lükake mootori pidurikäepidet juhtraua suunas.



## SavE funktsiooni kasutamine

Toode on varustatud akusäästufunktsiooniga (SavE), mis pikendab aku tööiga.

1. Funktsiooni käivitamiseks vajutage SavE nuppu (A). Süttib roheline LED-tuli.



2. Funktsiooni peatamiseks vajutage uuesti SavE nuppu. Roheline LED-tuli (B) kustub.

Kui maapinna tingimused nõuavad suuremat võimsust, seiskub SavE funktsioon automaatselt. Kui maapinna tingimused seda lubavad, käivitub SavE funktsioon automaatselt.

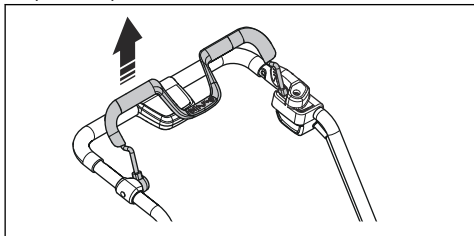
## Suure koormuse funktsioon

Kui seade niidab märga või pikka rohtu, suureneb mootori pöörete arv minutis automaatselt. Kui koormus langeb, lülitub motor automaatselt tagasi tavarežiimile.

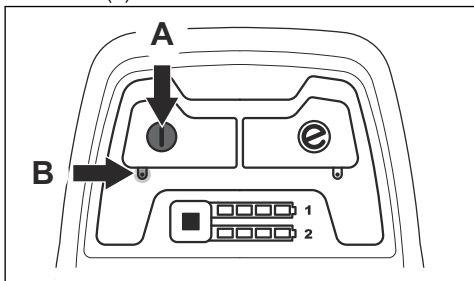
## Toote seiskamine

Kui seadet 10 minuti jooksul ei kasutata, seiskub see automaatselt. Enne toote järelevalveta jätmist keerake ohutusülili alati asendisse 0.

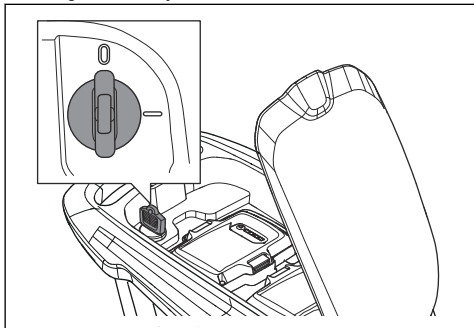
1. Mootori seiskamiseks vabastage mootori pidurikäepide.



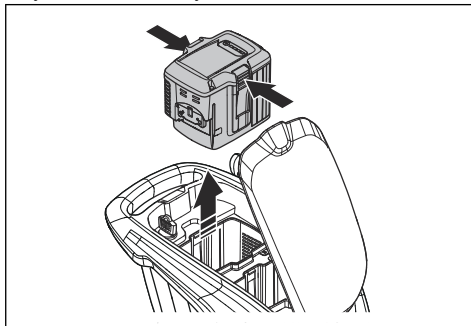
2. Vajutage juhtpaneelil ON/OFF nuppu (A) ja roheline LED-tuli (B) kustub.



3. Avage akukaas ja keerake ohutuslülitit asendisse 0.



4. Aku eemaldamiseks vajutage kahte vabastusnuppu ja tõmmake aku välja.



5. Laadige akut, kui see on tühjenenud. Lisateavet leiate jaotisest *Aku laadimine lk 172*.

## Hea tulemuse saavutamiseks

- Kasutage vahedat lõiketera. Nüri tera annab ebaühtlase tulemuse ja muru lõigatud osa muutub kollaseks. Terav lõiketera on nüri teraga võrreldes energiasäästlikum.
- Lõigake kuni pool pikkusest. Niitke kõigepealt kõrgele reguleeritud lõikamiskõrgusega. Vaadake tulemust ja seadistage lõikamiskõrgus soovitud madalamale tasemele. Kui muru on väga pikk, sõitke aeglaselt ja vajadusel niitke kaks korda.
- Niitke iga kord erinevas suunas, et ära hoida triipude tekkimist murule.
- Hoidke lõikamiskatte puhtana. Lõikamiskatte siseküljele kogunevad rohujäägid ja mustus võivad lõikamise tõhusust vähendada. Vt jaotist *Toote puhastamine lk 175*.

## Hooldamine

### Sissejuhatus



**HOIATUS:** Enne seadme hooldamist lugege põhjalikult läbi ohutust puudutav peatükk.

Toote hooldamiseks ja remontimiseks on vaja erioskusi. Tagame asjatundliku remondi- ja hooldustöö. Kui edasimüüjal, kellelt toote ostsite, pole hooldustöökoda, küsige neilt teavet lähima hooldustöökoha kohta.

### Hooldusskeem

Hooldusintervallide arvutamisel on aluseks võetud toote igapäevane kasutamine. Intervallid muutuvad, kui toodet igapäevaselt ei kasutata.

Tärniga (\*) tähistatud hooldustööde kohta leiate juhised peatükist *Toote ohutusseadised lk 167*.

	Igal kasutuskorral	Üks kord kuus	Igal aastajal
Üldkontrolli läbiviimine	X		
Toote puhastamine	X		
Kontrollige käivitustökestit *	X		
Veenduge, et toote ohutusseadistel poleks defekte *	X		
Lõikeosa kontrollimine	X		
Kontrollige lõikekatet *	X		
Kontrollige mootori pidurikäpeid *	X		
Veenduge, et ON/OFF nupp töötaks korralikult ja sellel poleks defekte	X		
Veenduge, et aku poleks kahjustusi	X		
Kontrollige aku laetust	X		
Veenduge, et aku vabastusnupud töötaksid korralikult ning et aku lukustuks kindlalt seadme külge	X		
Veenduge, et akulaadijal poleks kahjustusi ja et see töötaks korrektselt		X	
Kontrollige aku ja seadme vahelisi ühendusi. Samuti kontrollige aku ja akulaadija vahelisi ühendusi.			X

## Üldkontrolli läbiviimine

- Veenduge, et toote mutrid ja kruvid oleksid pingutatud.
- Veenduge, et toote juhtmed ei oleks sellises asendis, kus need võiksid kahjustada saada.

## Toote puhastamine

- Puhastage plastosi puhta ja kuiva lapiga.
- Ärge puhastage seadet veega. Vesi võib pääseda aku või mootori sisse ja põhjustada lühise või kahjustada toodet.
- Ärge kasutage seadme puhastamiseks survepesurit.
- Ärge valage vett otse mootorile.
- Eemaldage lehed, muru ja pori harja abil.

## Aku ja akulaadija puhastamine



**HOIATUS:** Ärge puhastage akut või akulaadijat veega.

- Enne aku asetamist akulaadijasse veenduge, et aku ja akulaadija oleksid puhtad ja kuivad.
- Puhastage akuklemmid suruõhu või pehme ja kuiva riidelapiga.
- Puhastage aku ja akulaadija välispinnad pehme ja kuiva riidelapiga.

## Lõikeosa kontrollimine



**HOIATUS:** Juhusliku käivitumise vältimiseks keerake ohutuslülitit asendisse 0, eemaldage aku ja oodake vähemalt viis sekundit.



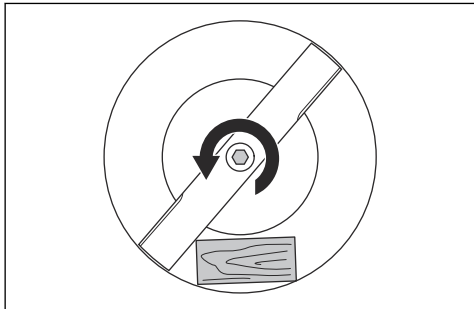
**HOIATUS:** Lõikeosa hooldamisel kandke kaitsekindaid. Lõiketera on väga terav ja võib kergesti põhjustada lõikevigastusi.

1. Kontrollige lõikeosa kahjustuste ja mõrade suhtes. Kahjustatud lõikeosa tuleb alati välja vahetada.
2. Kontrollige, kas lõiketera on kahjustatud või nüri.

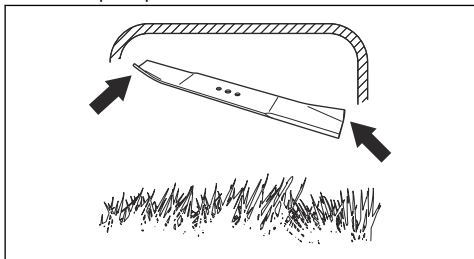
**Märkus:** Teritamise järel tuleb lõiketera tasakaalustada. Lõiketera teritamine, asendamine ja tasakaalustamine usaldage hooldustehnikule. Kui toode pörkub vastu eset, mis põhjustab toote seiskumise, vahetage välja kahjustatud lõiketera. Laske hoolduskeskuses hinnata, kas tera saab teritada või tuleb see välja vahetada.

## Lõiketera vahetamine

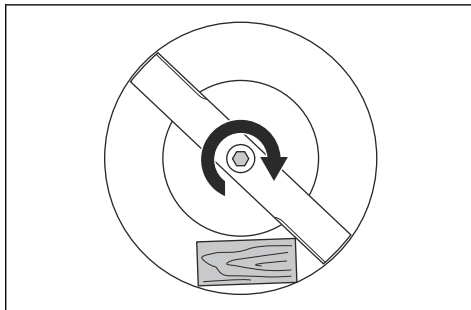
1. Lukustage lõiketera mõne puuklotsiga.



2. Eemaldage lõiketera polt.  
3. Eemaldage lõiketera.  
4. Eemaldage lõiketera tugi ja polt ning kontrollige, kas esineb kahjustusi.  
5. Kontrollige mootori võlli ja veenduge, et see poleks väändunud.  
6. Uue lõiketera kinnitamisel suunake nurksed otsad lõikekorpuse poole.



7. Veenduge, et lõiketera ja mootori võlli kese oleksid kohakuti.  
8. Lukustage lõiketera mõne puuklotsiga. Kinnitage vedruseib ning pingutage polti ja seibi momendiga 23–28 Nm.



9. Keerake tera käega, veendumaks, et see pöörleb vabalt.



**HOIATUS:** Kasutage tugevaid kindaid. Lõiketera on väga terav ja võib kergesti põhjustada lõikevigastusi.

10. Tera katsetamiseks käivitage toode. Kui tera on valesti kinnitatud, siis toode vibreerib ja niitmistulemus pole rahuldav.

## Veaotsing

### Aku

Aku LED-tuli	Põhjus	Lahendus
Roheline LED-tuli vilgub.	Aku pingeline on madal.	Laadige aku. Vt jaotist <i>Aku laadimine lk 172</i> .
Tõrke LED-tuli vilgub	Aku on tühjenenud.	Laadige aku. Vt jaotist <i>Aku laadimine lk 172</i> .
	Töökeskkonna temperatuur on liiga kõrge või liiga madal.	Kasutage akut keskkonnas, mille temperatuur jääb vahemikku –10 kuni 40 °C.
	Ülepinge.	Veendu, et toiteallika võrgupinge vastaks toote mudeli etiketil märgitule.  Eemaldage aku laadijast. Oodake viis sekundit ja proovige akut uuesti laadida. Probleemi püsivusel pöördu volitatud hooldustöökoha poole.



Aku LED-tuli	Põhjus	Lahendus
Tõrke LED-tuli põleb.	Elementide erinevus on liiga suur (1 V).	Pöörduge volitatud hooldustöökoja poole.

## Akulaadur

Akulaadija LED-tuli	Põhjus	Lahendus
Tõrke LED-tuli vilgub	Töökeskkonna temperatuur on liiga kõrge või liiga madal.	Kasutage akulaadijat keskkonnas, mille temperatuur jääb vahemikku 5 kuni 40 °C.
Tõrke LED-tuli põleb.		Pöörduge volitatud hooldustöökoja poole.

## Juhtpaneel

Selles jaotises mitte loetletud probleemide korral pöörduge hooldustöökoja poole.

Klahvistik	Tõrkekood (vilkumiste arv)	Võimalikud tõrked	Võimalik lahendus
Tõrke LED-tuli vilgub	3	Mootori ülekoormus	Suurendage löikamiskõrgust. Vt jaotist <i>Löikamiskõrguse reguleerimine lk 172.</i>
	5	Mootori kiirus langeb liigselt ja mootor seiskub	
	10	Mootori juhtseade on liiga kuum	Seisake mootor ja oodake, kuni see on jahtunud
	2	Lõiketera liikumine on takistatud	Juhusliku käivitumise vältimiseks keerake ohutuslüüti asendisse 0, eemaldage aku ja oodake vähemalt viis sekundit. Veenduge, et lõiketera saaks vabalt pöörelda. Probleemi püsimise korral võtke ühendust volitatud hooldustöökojaga
	9	Aku tõrge või aku signaali pole	Asetage aku õigesti seadmesse ja kontrollige akukonektorit. Kui aku tõrke LED-tuli vilgub, vt <i>Aku lk 172.</i>
Seade seiskub	8	Aku on tühjenenud	Laadige aku. Vt jaotist <i>Aku laadimine lk 172.</i>
	0	Akukonjektori tõrge	Kontrollige akukonjektorit

## Transportimine, hoialepanek ja utiliseerimine

### Sissejuhatus



**HOIATUS:** Transportimise ajal juhusliku käivitumise vältimiseks keerake ohutuslüüti asendisse 0, eemaldage aku ja oodake vähemalt viis sekundit.

### Transportimine

- Liitium-ioonakudele kehtivad ohtlike kaupade veonõuded.
- Kaubandusliku transpordi korral tuleb järgida pakendamise ja märgistamise erinõudeid.
- Toote transportimiseks ettevalmistamisel järgige kindlasti ohtlikele ainetele kehtivaid eeskirju. Kehtivad võivad ka kohalikud eeskirjad.

- Transpordi ajaks tuleb aku alati eemaldada.
- Katke akukonnetorid isoleerteibiga ja veenduge, et aku ei saaks transportimise ajal liikuma hakata.
- Kinnitage seade transportimise ajaks.

## Hoiustamine

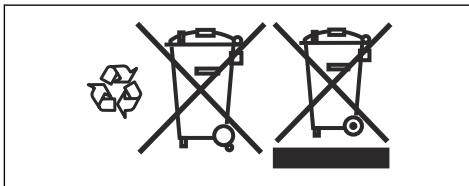
- Hoiustamise ajaks tuleb aku alati eemaldada.
- Õnnetuste vältimiseks veenduge, et aku ja seade poleks hoiustamise ajal ühendatud.
- Hoidke akulaadijat suletud ja kuivas kohas.
- Hoidke akut ja akulaadijat kuivas kohas, kus pole niiskust ja miinuskraade.
- Ladustamise ajaks lahutage aku akulaadija küljest.
- Ärge hoidke akut kohas, kus võib tekkida staatiline elekter. Ärge hoidke akut metallkastis.
- Hoidke akut kohas, mille temperatuur jääb vahemikku 5 kuni 25 °C, ja kuhu ei paista otsene päikesevalgus.
- Hoidke akulaadijat kohas, mille temperatuur jääb vahemikku 5 kuni 45 °C, ja kuhu ei paista otsene päikesevalgus.
- Enne aku pikemaajalist hoiustamist laadige see 30–50% ulatuses täis.
- Hoidke seadet, akut ja akulaadijat suletud ruumis, kuhu ei pääse lapsed ja volitamata kõrvalised isikud.

- Enne seadme pikemaajalist hoiustamist puhastage seade ja tehke sellele täishooldus.

## Kõrvaldamine

Tootel või selle pakendil olevad sümbolid viitavad, et toodet ei tohi visata olmeprügi hulka. See tuleb toimetada ettenähtud vastuvõtupunkti, kus elektri- ja elektroonikaseadmed võetakse uuesti ringlusesse.

Hoolitsedes toote eest õigel viisil aitate vähendada võimalikke negatiivseid mõjusid keskkonnale ja inimestele, mis võivad avalduda toote vale käitlemise korral. Lisateabe saamiseks toote ringlussevõtu kohta pöörduge vastava kohaliku ametkonna, jäätmekäitlusettevõtte või toote müünud kaupluse poole.



## Tehnilised andmed

	<b>LB 146i</b>
<b>Cutting motor (Lõikemootor)</b>	
Mootori tüüp	BLDC (harjadeta) 36 V
Mootori pöörlemissagedus – SavE, p/min	2600
Mootori pöörlemissagedus – nimisagedus, p/min	3000
Mootori pöörlemissagedus – suur koormus, p/min	3500
Mootori väljundvõimsus – max kW	1,05
Mootori väljundvõimsus – nimivõimsus, kW	0,9
Liigvoolu piir (voolu piir: 900W-27A)	27 (+/-) 1A
<b>Mass</b>	
Kaal ilma akuta (kg)	16,9
<b>Aku</b> <sup>29</sup>	
Aku tüüp	Husqvarna Akuseeria
<b>Aku tööaeg</b>	
Aku tööaeg, min, (vabajooksul) SavE on aktiveeritud, ühe Husqvarna 5,2 Ah akuga (BLi200).	77

<sup>29</sup> Parimate tulemuste saavutamiseks kasutage Husqvarna akut BLi200.

	<b>LB 146i</b>
Aku tööaeg, min. (vabajooksul) standardrežiim on aktiveeritud, ühe Husqvarna 5,2 Ah akuga (BLi200).	45
<b>Müraemissioon</b> <sup>30</sup>	
Helivõimsuse tase, mõõdetud dB(A)	90
Müravõimsustase, garanteeritud L <sub>WA</sub> dB(A)	91
<b>Müratase</b> <sup>31</sup>	
Helirõhutase kasutaja kõrva juures, dB(A)	79
<b>Vibratsioonitase</b> <sup>32</sup>	
Käepide, m/s <sup>2</sup>	0,9
<b>Lõikeosa</b>	
Lõikekõrgus, mm	35–70 mm
Niitmislaius, cm	46
Lõiketera	BioClip
Tootekood	5947022-10

Heakskildetud akud	Tüüp	Aku mahtuvus, Ah	Pinge, V	Kaal, naela/kg
BLi20	Liitiumioonaku	4,0	36	2,6/1,2
BLi200	Liitiumioonaku	5,2	36	2,8/1,3
BLi300	Liitiumioonaku	9,4	36	4,2/1,9

Määratletud akude heakskildetud akulaadid, BLI	Sisendpinge, V	Sagedus, Hz	Võimsus, W
QC80	100-240	50-60	100
QC80F	10–15	–	95
QC330	100-240	50-60	330
QC500	100-240	50-60	500
40-C80	100-240	50-60	68,8

<sup>30</sup> Müraemissioon ümbritsevasse keskkonda, mõõdetud helivõimsuse tasemenähtena (L<sub>WA</sub>) vastavalt EÜ direktiivile 2000/14/EÜ

<sup>31</sup> Müra rõhutase kohta toodud andmete statistiline dispersioon (standardhälve) on 1,2 dB(A).

<sup>32</sup> Vibratsioonitaseme kohta toodud andmete tüüpiline statistiline dispersioon (standardhälve) on 0,2 m/s<sup>2</sup>. Vibratsioonistandard EN 60335-2-77:2017 peatükk 20.105

---

# EÜ vastavusdeklaratsioon

---

## EÜ vastavusdeklaratsioon

**Husqvarna AB**, SE-561 82 Huskvarna, Rootsi, tel:  
+46-36-146500, kinnitab käesolevaga, et **muruniiduk**  
**Husqvarna LB 146i** alates aastast 2021 vastab järgmiste  
NÕUKOGU DIREKTIIVIDE nõuetele:

- **2011/65/EL** (8. juuni 2011), teatavate ohtlike ainete kasutamise piiramise kohta;
- **2006/42/EÜ** (17. mai 2006), masinadirektiiv;
- **2014/30/EL** (26. veebruar 2014), elektromagnetilise ühilduvuse direktiiv;
- **2000/14/EÜ** (8. mai 2000), müradirektiiv.

Mürataseme kohta leiata teavet tehniliste andmete osast.

Rakendatud on järgmisi standardeid:

**EN 60335-1:2012+A11:2014+A13:2017, EN 60335-2-77:2010, EN 62233:2008, EN 55014-1:2017+A11:2020, EN 55014-2:2015, EN IEC 63000:2018**

Kui pole märgitud teisiti, mõeldakse ülalpool loetletud standardite all nende kõige viimaseid avaldatud versioone.

Teavitatud asutus: **0404, RISE SMP Svensk Maskinprovning AB, Box 7035, SE-750 07 Uppsala** on läbi viinud vastavushindamise kooskõlas direktiivi 2000/14/EÜ lisaga VI.

Huskvarna, 2021-10-30



Claes Losdal, aiandustoodete arendusdirektor  
(Husqvarna AB volitatud esindaja, tehnilise dokumentatsiooni vastutav juht)

## Sisällys

Johdanto.....	181	Vianmääritys.....	196
Turvallisuus.....	183	Kuljettaminen, säilyttäminen ja hävittäminen.....	197
Asentaminen.....	190	Tekniset tiedot.....	198
Käyttö.....	191	EY-vaatimustenmukaisuusvakuutus.....	200
Huolto.....	194		

## Johdanto

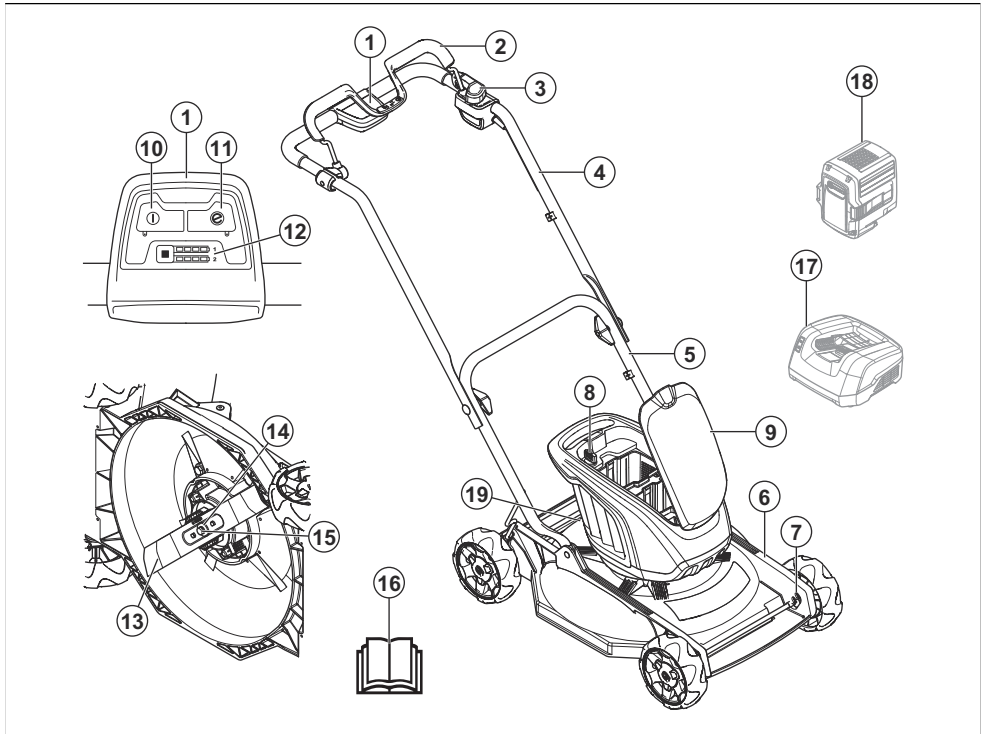
### Tuotekuvas

Tuote on kävellen ohjattava ja pyörivä ruohonleikkuri. Tuotteessa on BioClip-toiminto, joka leikkaa ruohon pieniksi paloiksi ja tekee siitä lannoitetta.

### Käyttötarkoitus

Käytä laitetta ruohon leikkamiseen. Älä käytä laitetta muihin tehtäviin.

### Tuotteen kuvaus



1. Ohjauspaneeli
2. Moottorin jarrukahva
3. Käynnistyksenesto
4. Kädensija
5. Alavarsi
6. Leikkuusuojus
7. Leikkuukorkeuden säädin
8. Turva-avain
9. Akun kanssi
10. Virtapainike
11. SavE-painike
12. Akun varaustilan ilmaisin ja akkupainike
13. Terä
14. Jousialuslevy

- 15. Terän pultti
- 16. Käyttöohjekirja
- 17. Akkulaturi (lisävaruste)
- 18. Akku (lisävaruste)
- 19. Arvokilpi ja QR-koodi

## Laitteen symbolit



Varoitus: Huolimaton tai virheellinen käyttö voi aiheuttaa käyttäjälle tai sivullisille vammoja tai kuoleman.



Lue käyttöohje huolellisesti ja varmista, että ymmärrät sen sisällön, ennen kuin alat käyttää laitetta.



Pidä sivulliset ja eläimet turvallisen välimatkan päässä työalueesta.



Varo sinkoutuvia esineitä ja kimmokkeita.



Varoitus: Pidä kädet ja jalat poissa pyörivän terän läheisyydestä.



Varoitus: Pidä kädet ja jalat poissa pyörivien osien läheisyydestä.



Irrota turva-avain ennen korjaus- tai huoltotöiden aloittamista.



Ei saa altistaa sateelle



Laitetta tai sen pakkausta ei saa hävittää kotitalousjätteen mukana. Vie se asianmukaiseen sähkö- ja elektroniikkalaitteiden keräyspisteeseen.



Laite täyttää voimassa olevien EY-direktiivien vaatimukset.



Laite täyttää voimassa olevien Euraasian tulliliiton direktiivien vaatimukset.



Laite täyttää voimassa olevien UkrSEPRO-direktiivien vaatimukset.



Laite täyttää voimassa olevien RCM-direktiivien vaatimukset. Vain AU/NZ



Melupäästöt ympäristöön Euroopan yhteisön direktiivin mukaisesti. Laitteen päästöt ilmoitetaan luvussa Tekniset tiedot ja arvokilvessä.



IPX1 – suojaus pystysuoraan tippuvalta vedeltä



**Käynnistäminen:** paina virtapainiketta, avaa käynnistykseenesto ja paina moottorin jarrukahva alas.



**Pysäyttämisen:** vapauta moottorin jarrukahva.

**Huomautus:** Muita laitteen symboleita/tarroja tarvitaan joillakin markkina-alueilla ilmaisemaan sertifiointivaatimuksia.

### Laiteen tarra



VAARA – Pidä kätet ja jalat etäällä.

### Tuotevastuu

Tuotevastuulain mukaisesti emme ole vastuussa tuotteen aiheuttamasta vaurioista, jos

- tuote on korjattu virheellisesti
- tuotteen korjaamiseen on käytetty muita kuin valmistajan omia tai sen hyväksymiä osia
- tuotteessa on muu kuin valmistajan oma tai sen hyväksymä lisävaruste
- tuotetta ei ole korjattu valtuutetussa huoltopisteessä tai hyväksytyllä asiantuntijalla.

## Turvallisuus

### Turvallisuusmääritelmät

Varoituksia, huomioita ja huomautuksia käytetään, kun jotakin käyttöohjeen osaa halutaan erityisesti korostaa.



**VAROITUS:** Tätä käytetään, jos käyttöohjeen noudattamatta

jättämisestä voi seurata käyttäjän tai sivullisen vamma tai kuolema.



**HUOMAUTUS:** Tätä käytetään, jos käyttöohjeen noudattamatta jättämisestä voi seurata

koneen, muiden materiaalien tai ympäristön vaurioituminen.

---

**Huomaus:** Tätä käytetään tietyissä tilanteissa tarvittavien lisätietojen antamiseen.

---

## Yleiset turvaohjeet

---



**VAROITUS:** Lue seuraavat varoitusohjeet ennen laitteen käyttämistä.

---

- Tämä laite on vaarallinen, jos sitä käytetään huolimattomasti tai virheellisesti. Turvaohjeiden noudattamatta jättäminen voi aiheuttaa vammoja tai kuoleman.
- Laite muodostaa käytön aikana sähkömagneettisen kentän. Kenttä saattaa joissakin olosuhteissa häiritä aktiivisten tai passiivisten lääketieteellisten implanttien toimintaa. Vakavien tai hengenvaarallisten tapaturmien ehkäisemiseksi kehotamme lääketieteellisiä implanteja käyttäviä henkilöitä neuvottelemaan lääkärin ja lääketieteellisen implantin valmistajan kanssa ennen laitteen käyttämistä.
- Ole aina varovainen ja käytä tervettä järkeä. Jos et ole varma, miten laitetta käytetään erityistilanteessa, sammuta laite ja ota yhteys Husqvarna-jälleenmyyjään, ennen kuin jatkat.
- Muista, että käyttäjä on vastuussa muille ihmisille tai heidän omaisuudelleen aiheutuvista vahingoista.
- Pidä laite puhtaana. Varmista, että tuotteen merkit ja tarrat ovat luettavissa.
- Älä anna lasten tai näitä ohjeita tuntemattomien henkilöiden käyttää laitetta. Paikalliset määräykset saattavat rajoittaa käyttäjän ikää.
- Valvo aina laitetta käyttävää henkilöä, jonka fyysiset tai psyykkiset taidot ovat heikentyneet. Vastuullisen aikuisen on oltava aina paikalla.
- Älä käytä laitetta ollessasi väsynyt tai sairas tai jos olet alkoholin, huumaavien aineiden tai lääkkeiden vaikutuksen alaisena. Niillä on negatiivinen vaikutus näkökykyysi, vireytesi,



harkintakykyysi ja kehosi hallintaan.

- Älä käytä konetta, jos se on viallinen.
- Älä tee koneeseen muutoksia tai käytä konetta, mikäli epäilet jonkun muun muuttaneen sitä.

## Työalueen turvallisuus



**VAROITUS:** Lue seuraavat varoitusohjeet ennen laitteen käyttämistä.

---

- Poista työskentelyalueelta oksat, risut ja kivet ennen tuotteen käyttämistä.
- Terävarustukseen osuvat esineet sinkoutuvat edelleen ja voivat siten aiheuttaa vahinkoa ihmisille ja esineille. Pidä sivulliset ja eläimet turvallisen välimatkan päässä tuotteesta.
- Älä koskaan käytä laitetta huonolla säällä esimerkiksi sumussa, sateessa, kovassa tuulessa, ankarassa pakkasessa tai ukkosella. Laitteen käyttäminen huonolla säällä tai kosteissa tai märissä olosuhteissa on raskasta. Huono sää voi aiheuttaa vaaratilanteita, kuten liukastumisvaaran.

- Varo henkilöitä, esineitä ja tilanteita, jotka voivat estää laitteen turvallisen käytön.
- Varo esteitä, kuten juuria, kiviä, risuja, kuoppia ja oja. Pitkän ruohon seassa voi olla esteitä.
- Ruohon leikkaaminen rinteissä voi olla vaarallista. Älä leikkaa ruohoa erittäin jyrkissä rinteissä. Älä käytä laitetta rinteessä, jonka kaltevuus on yli 15°.
- Noudata erityistä varovaisuutta vaihtaessasi suuntaa rinteessä. Käytä laitetta sivusuunnassa rinteeseen nähden. Älä käytä laitetta pystysuunnassa.
- Ole varovainen lähestyessäsi piilossa olevia kulmia ja esineitä, jotka estävät näkyvyyden.

## Työturvallisuus



**VAROITUS:** Lue seuraavat varoitusohjeet ennen laitteen käyttämistä.

---

- Käytä tätä tuotetta ainoastaan nurmikoiden leikkaamiseen. Tuotteita ei saa käyttää muihin käyttötarkoituksiin.
- Käytä henkilökohtaisia suojarusteita. Katso

*Henkilökohtainen  
suojavarustus sivulla 187.*

- Opettele pysäyttämään moottori nopeasti hätätilassa.
- Älä käytä laitetta sateella tai märissä olosuhteissa. Sähköiskun vaara kasvaa, jos laitteeseen pääsee vettä.
- Älä käytä tuotetta, ellei sen terää ja kaikkia suojuksia ole kiinnitetty asianmukaisesti. Virheellisesti kiinnitetty terä saattaa irrota ja aiheuttaa henkilövahinkoja.
- Varmista, ettei terä osu kiviin ja juuriin. Tämä voi vaurioittaa terää, ja moottorin akseli voi vääntyä. Vääntynyt akseli aiheuttaa voimakasta tärinää. Tällöin on erittäin suuri riski, että terä irtoaa.
- Jos terä osuu esineeseen tai alkaa täristä, pysäytä tuote välittömästi. Sammuta moottori, käännä turvakytin asentoon 0 ja irrota akku. Tarkista tuote vaurioiden varalta. Korjaa vauriot tai teetä korjaustyöt valtuutetussa huoltoliikkeessä.
- Älä koskaan liitä moottorin jarrukahvaa pysyvästi kahvaan moottoria käynnistettäessä.
- Aseta tuote kiinteälle, tasaiselle alustalle ja käynnistä se. Varmista, ettei terä pääse

osumaan maahan tai mihinkään esineeseen.

- Ole aina tuotteen takana käyttäessäsi sitä.
- Pidä kaikki renkaat maassa ja molemmat kätesi työntöaisalla käyttäessäsi tuotetta. Pidä kätesi ja jalkasi poissa pyörievien terien läheisyydestä.
- Älä kallista laitetta moottorin käynnistyksen aikana.
- Ole varovainen vetäessäsi laitetta taaksepäin.
- Älä koskaan nosta laitetta moottorin käynnistyksen aikana. Jos laite on nostettava, sammuta ensin moottori, käännä turvakytin asentoon 0 ja irrota akku.
- Älä kävele taaksepäin käyttäessäsi laitetta.
- Sammuta moottori, kun siirrä laitteen ruuhottoman alueen yli, esimerkiksi ylittäessäsi sora-, kivi- tai asfalttipolkuja.
- Älä juokse laitteen kanssa, kun moottoria käynnistetään. Kävele aina, kun käytät laitetta.
- Sammuta moottori ennen kuin muutat leikkuukorkeutta. Älä koskaan tee säätöjä moottorin käydessä.
- Älä koskaan jätä laitetta ilman valvontaa moottorin käydessä.

Sammuta moottori ja varmista, ettei terävarustus pyöri.

Turvallisuusohjeet käyttöä varten

## Henkilökohtainen suojavarustus



**VAROITUS:** Lue seuraavat varoitusohjeet ennen laitteen käyttämistä.

- Henkilökohtaiset suojavarusteet eivät poista tapaturmien vaaraa, mutta ne lieventävät vammoja onnettomuustilanteessa. Anna jälleenmyyjän auttaa oikeiden varusteiden valinnassa.
- Käytä kestäviä luistamattomia saappaita tai kenkiä. Älä käytä avonaisia jalkineita tai kulje paljain jaloin.
- Käytä vahvakankaisia, pitkiä housuja.
- Käytä suojakäsineitä tarvittaessa, esimerkiksi terävarustuksen asennuksen, tarkastuksen ja puhdistuksen aikana.

### Tuotteen turvalaitteet



**VAROITUS:** Lue seuraavat varoitusohjeet ennen laitteen käyttämistä.

- Älä käytä laitetta, jos jokin sen turvalaitteista on rikki.
- Tarkasta turvalaitteet säännöllisesti. Jos turvalaitteissa on vikoja, ota yhteyttä Husqvarna-huoltoliikkeeseen.

### Leikkuusuojuksen tarkistaminen

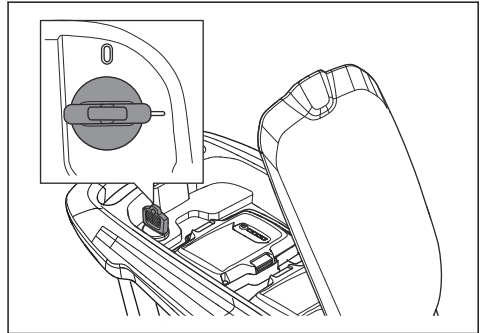
Leikkuusuojus vähentää laitteen tärinää ja terän aiheuttamaa tapaturmavaaraa.

- Tarkista leikkuusuojus vaurioiden, kuten halkeamien, varalta.

### Turva-avain

Turva-avain on akun kannen alla. Turva-avain kytkee akun, joka tuottaa tehoa moottorille.

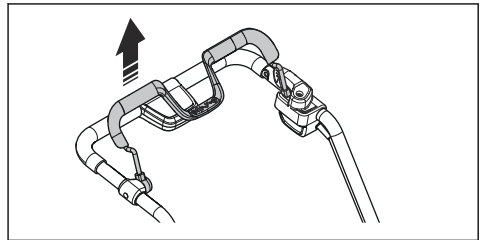
- Tarkista turva-avaimen toiminta käynnistämällä ja sammuttamalla moottori.
- Jos turva-avain toimii oikein, moottori käynnistyy vain, kun avain on käännetty asentoon 1.



### Moottorin jarrukahva

Moottorin jarrukahva pysäyttää moottorin. Kun moottorin jarrukahva vapautetaan, moottori pysähtyy.

Tarkista moottorijarru käynnistämällä moottori ja vapauttamalla sitten moottorin jarrukahva. Jos moottori ei pysähdy 3 sekunnissa, anna valtuutetun Husqvarna-huoltoliikkeen säätää moottorijarru.

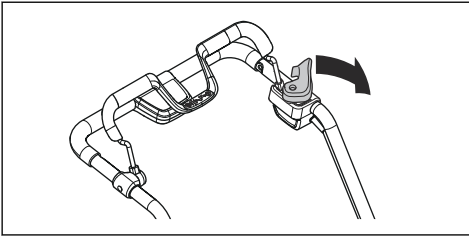


### Käynnistykseneston tarkistaminen

Tarkista käynnistyksenesto ja varmista, että se estää moottorin toiminnan.

1. Työnnä moottorin jarrukahvaa kahvaston suuntaan. Käynnistyksenesto pysäyttää liikkeen.

2. Työnnä käynnistyksenesto ulos.



3. Vapauta käynnistyksenesto ja varmista, että se palaa alkuasentoonsa.

## Akkuturvallisuus



**VAROITUS:** Lue seuraavat varoitusohjeet ennen laitteen käyttämistä.

- Käytä ladattavia Husqvarna-akkuja vain yhteensopivien Husqvarna-tuotteiden virtalähteenä. Tapaturmien välttämiseksi akkua ei saa käyttää muiden laitteiden virtalähteenä.
- Älä käytä akkuja, joita ei voi ladata.
- Sähköiskun vaara. Älä koske akun napoihin avaimella, kolikolla, ruuvilla tai muilla metalliesineillä. Tämä voi aiheuttaa akun oikosulun.
- Älä aseta esineitä akun ilmarakoihin.
- Pidä akku suojassa suoralta auringonvalolta, kuumuudelta ja avotulelta. Akku voi räjähtää ja aiheuttaa palo- ja/tai syöpymisvammoja.

- Suojaa akku sateelta ja kosteilta olosuhteilta.
- Älä altista akkua mikroaalloille ja korkealle paineelle.
- Älä yritä purkaa tai rikkoa akkua.
- Jos akku vuotaa, älä anna nesteen joutua kosketuksiin kehon tai silmien kanssa. Jos nestettä joutuu iholle, puhdista alue heti runsaalla vedellä ja hakeudu lääkäriin.
- Käytä akkua  $-10...40\text{ °C}$ :n lämpötilassa.
- Älä pese akkua tai akkulaturia vedellä. Katso *Akun ja akkulaturin puhdistaminen sivulla 195*.
- Älä käytä viallista tai vaurioitunutta akkua.
- Säilytä akkuja varastossa kaukana metalliesineistä kuten nautoista, kolikoista ja koruista.

## Akkulaturin turvallisuus



**VAROITUS:** Lue seuraavat varoitusohjeet ennen laitteen käyttämistä.

- Käytä QC-akkulatureita vain Husqvarna-vara-akkujen lataukseen.

- Sähköiskun tai oikosulun vaara. Älä aseta esineitä laturin ilmarakoihin. Älä yritä purkaa akkulaturia. Älä liitä laturin liittimiä metalliesineisiin. Käytä hyväksytyä pistorasiaa.
- Laite muodostaa käytön aikana sähkömagneettisen kentän. Kenttä saattaa joissakin olosuhteissa häiritä aktiivisten tai passiivisten lääketieteellisten implanttien toimintaa. Vakavien tai hengenvaarallisten tapaturmien ehkäisemiseksi kehotamme lääketieteellisiä implantteja käyttäviä henkilöitä neuvottelemaan lääkärin ja lääketieteellisen implantin valmistajan kanssa ennen laitteen käyttämistä.
- Tarkista säännöllisesti, että akkulaturin virtajohto ei ole vaurioitunut ja ettei siinä ole murtumia.
- Älä nosta akkulaturia virtajohdosta. Irrota akkulaturi pistorasiasta vetämällä pistoke ulos. Älä vedä virtajohdosta.
- Pidä virtajohto ja jatkojohdot poissa veden, öljyn ja terävien reunojen ulottuvilta. Pidä huolta, ettei kaapeli kiristy ovien, aitojen tai muiden vastaavien esineiden kohdalla. Se voi muuttaa laturin jännitteelliseksi.
- Älä pese akkulaturia vedellä.
- Yli 8-vuotiaat lapset ja henkilöt, joiden fyysinen, sensorinen tai henkinen toimintakyky on alentunut tai joilla ei ole riittävää kokemusta tai taitoja laitteen käyttöön, saavat käyttää akkulaturia, mikäli he ovat saaneet ohjausta tai ohjeita akkulaturin turvallisesta käytöstä ja ymmärtävät siihen liittyvät vaarat. Lapset eivät saa leikkiä akkulaturilla. Lapset eivät saa puhdistaa tai huoltaa laitetta ilman valvontaa.
- Älä lataa akkulaturilla akkuja, jotka eivät sovellu uudelleenlataukseen.
- Älä käytä akkulaturia herkästi syttyvien materiaalien tai syöpymistä aiheuttavien materiaalien lähellä. Älä peitä akkulaturia. Jos havaitset savua tai tulta, irrota akkulaturin pistoke pistorasiasta.
- Älä käytä viallista tai vaurioitunutta akkulaturia.
- Lataa akku vain sisätiloissa poissa auringonvalosta ja tilassa, jossa on hyvä ilmanvaihto. Älä lataa akkua märissä olosuhteissa.

## Turvaohjeet huoltoa varten

---



**VAROITUS:** Lue seuraavat varoitusohjeet ennen laitteen käyttämistä.

---

- Jotta laite ei käynnisty vahingossa huollon aikana, käännä turvakytkin asentoon 0 ja irrota akku. Odota vähintään viisi sekuntia ennen huollon aloittamista.
- Laitteen oikeanlainen huoltaminen pidentää sen käyttöikä ja pienentää onnettomuusvaaraa. Anna huoltotyö valtuutetun huoltoliikkeen tehtäväksi. Kysy lisätietoja lähimmästä huoltoliikkeestä.
- Tee laitteelle ainoastaan käyttöohjekirjassa mainitut huoltotoimenpiteet. Laajemmat toimenpiteet on teetettävä valtuutetussa huoltoliikkeessä.
- Käytä työrukkasia, kun käsittelit terävarustusta. Terä

on erittäin terävä ja aiheuttaa helposti haavoja.

- Pidä leikkausreunat terävinä ja puhtaina, jotta laitteen suorituskyky ja turvallisuus pysyvät mahdollisimman hyvänä.
- Anna huoltoliikkeen tarkastaa laite säännöllisesti ja tarvittaessa säätää ja korjata se.
- Vaihda vaurioituneet, kuluneet tai rikkoutuneet osat.
- Noudata lisävarusteiden vaihtoa koskevia ohjeita. Käytä ainoastaan valmistajan lisävarusteita.
- Kun laitetta ei käytetä, säilytä se, akku ja akkulaturi erillään kuivassa ja lukitussa sisätilassa. Varmista, että lapset ja asiattomat henkilöt eivät pääse käsiksi laitteeseen, akkuun tai akkulaturiin.

---

## Asentaminen

---

### Johdanto

---



**VAROITUS:** Ennen kuin kokoat tuotteen, lue turvallisuutta koskeva luku.

---



**VAROITUS:** Jotta kone ei käynnisty vahingossa asennuksen aikana, käännä

turva-avain asentoon 0, irrota akku ja odota vähintään viisi sekuntia.

---

### Kahvan asentaminen

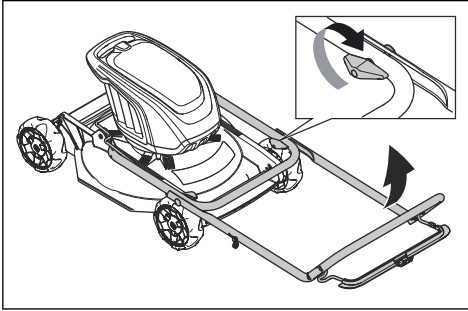
---



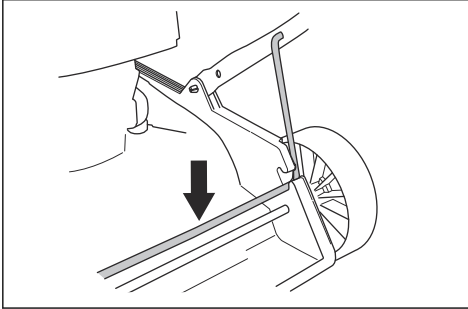
**HUOMAUTUS:** Älä kierrä kaapeleita.

1. Aseta kädensijan reiät ja alavarren reiät kohdakkain.

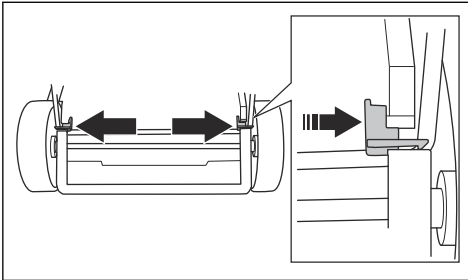
2. Kiristä kummankin puolen nupit täyteen kireyteen ja taita kahva ylös.



3. Aseta tuki leikkuusuojuksen uraan.



4. Kiinnitä kaksi pysäyttintä, jotka lukitsevat tuen ja kahvan. Työnnä ne paikoilleen.



**Huomautus:** Pysäyttimiä on kaksi, toisessa on merkintä H ja toisessa merkintä V. Aseta H-

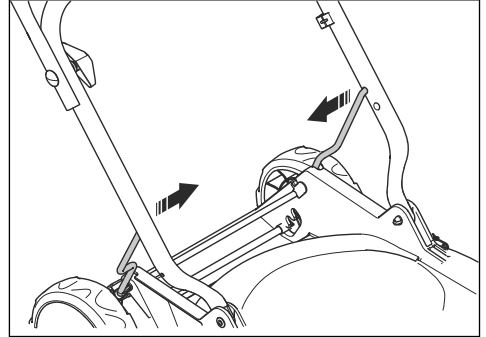
merkinnällä varustettu pysäytin oikealle puolelle ja V-merkinnällä varustettu pysäytin vasemmalle puolelle.



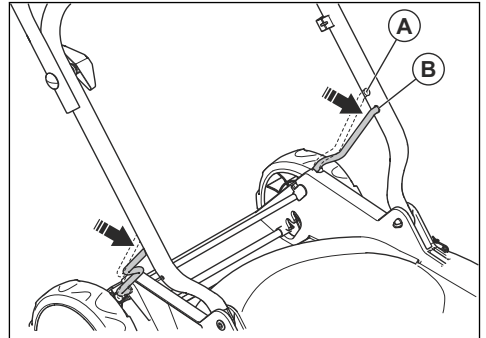
**HUOMAUTUS:** Älä käytä laitetta, jos molempia pysäyttimiä ei ole kiinnitetty.

## Työntöaisan korkeuden säätäminen

1. Irrota alemman aisan tuki.



- a) Laske aisan korkeutta asettamalla aisan tuki ylempään reikään (A).  
b) Lisää aisan korkeutta asettamalla aisan tuki alempaan reikään (B).



## Käyttö

### Johdanto



**VAROITUS:** Lue turvallisuutta käsittelevä luku niin, että ymmärrät sen sisällön, ennen laitteen käyttämistä.

### Husqvarna Connect

Husqvarna Connect on ilmainen mobiililaitesovellus. Husqvarna Connect -sovellus saat lisätoimintoja Husqvarna-koneeseen:

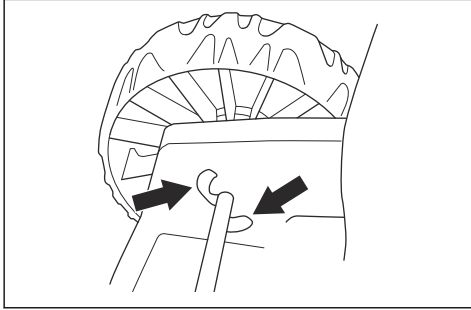
- Enemmän tuotetietoja.
- Tietoja koneen osista ja huolto-ohjeita.

## Husqvarna Connect -käytön aloittaminen

1. Lataa Husqvarna Connect -sovellus mobiililaitteeseesi.
2. Rekisteröi Husqvarna Connect -sovelluksessa.
3. Liitä ja rekisteröi kone Husqvarna Connect -sovelluksen ohjeiden mukaan.

## Leikkuukorkeuden asettaminen

- Paina akseli ulos ja siirrä se oikeaan asentoon jokaisen neljän renkaan kohdalla.



**HUOMAUTUS:** Älä aseta leikkuukorkeutta liian alhaiseksi. Jos ruohikon pinta ei ole tasainen, terät voivat osua maahan.

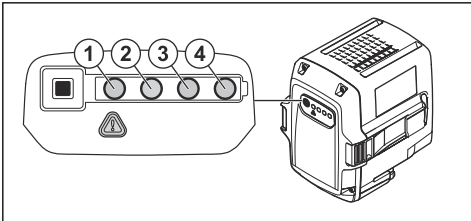
## Akku



**VAROITUS:** Ennen kuin käytät akkua, lue turvallisuutta käsittelevä luku niin, että ymmärrät sen sisällön. Lue myös akun ja akkulatorin käyttöohje niin, että ymmärrät sen sisällön.

## Akun tila

Näyttö osoittaa akun varaustason ja mahdolliset akkuun liittyvät ongelmat. Akun varaustaso näytetään viiden sekunnin ajan tuotteen sammuttamisen tai akun varaustilan ilmaisimen -painikkeen painamisen jälkeen. Virheen tapahtuessa akun varoitusymboli syttyy. Katso *Akku sivulla 196*.



LED-merkkivalot	Akun tila
Kaikki LED-merkkivalot palavat.	Täysin ladattu (75–100 %)
LED 1, LED 2 ja LED 3 palavat	Akun varaustaso on 50–75 %.
LED 1 ja LED 2 palavat	Akun varaustaso on 25–50 %.
LED 1 palaa	Akun varaustaso on 0–25 %.
LED 1 vilkkuu.	Akku on tyhjä. Lataa akku.

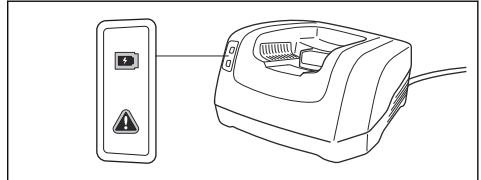
## Akun lataaminen

Lataa akku ennen ensimmäistä käyttökertaa. Akun varaus on toimitettaessa vain 30 %.

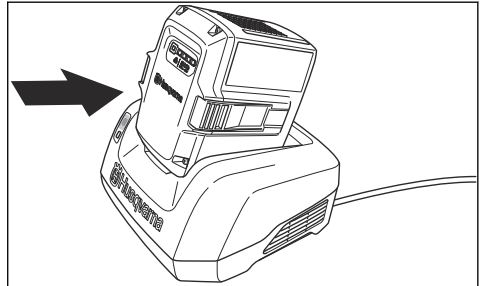
**Huomautus:** Akkulatori on kytkettävä tyyppikilven mukaiseen jännitteeseen ja taajuuteen.

Akku ei lataudu, jos akun lämpötila on yli 50 °C. Akkulatori viilentää akkua ennen kuin se alkaa latautua.

1. Kytke akkulatorin virtajohdon toinen pää akkulatorin liitäntään.
2. Kytke sitten akkulatorin virtajohdon toinen pää maadoitettuun pistorasiaan. Akkulatorin vihreä merkkivalo vilkkuu kerran.



3. Aseta akku akkulatoriin. Laturin vihreä valo syttyy, kun akku on kytketty oikein akkulatoriin.



4. Kun akun kaikki LED-merkkivalot syttyvät, akku on ladattu täyteen. Lataa akkua enintään 24 tuntia.
5. Kun irrotat akkulatorin pistorasiasta, älä vedä johdosta, vaan pistokkeesta.
6. Irrota akku akkulatorista.



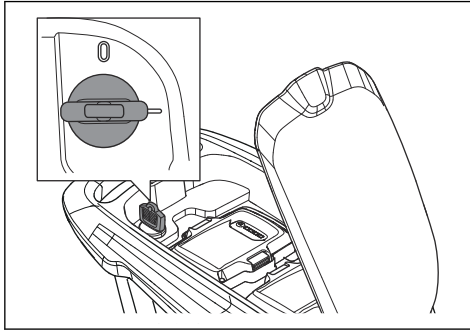
## Akun varaustila

Husqvarna-litiumioniakkua voi ladata tai käyttää sen varaustasosta riippumatta. Akku ei ole vaurioitunut. Täyteen ladattu akku ei menetä varaustaan, kun se jätetään laturiin.

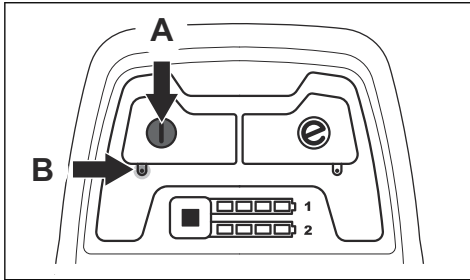
LED-näyttö	Varaustila
LED 1 vilkkuu.	0–25 %
LED 1 palaa, LED 2 vilkkuu	25–50 %
LED 1 ja LED 2 palavat ja LED 3 vilkkuu.	50–75 %
LED 1, LED 2 ja LED 3 palavat, LED 4 vilkkuu.	75–100 %
LED 1, LED 2, LED 3, LED 4 palavat	Täyteen ladattu

## Tuotteen käynnistäminen

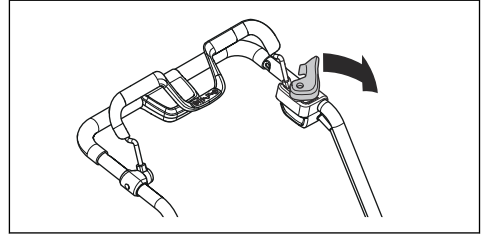
1. Aseta ladattu akku akun kannen alle akkutilaan numero 1. Pidentnä käyttöaika aasetamalla toinen ladattu akku akkutilaan numero 2.
2. Käännä turva-avain asentoon 1.



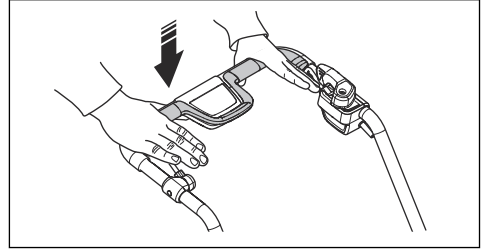
3. Seiso laitteen takana.
4. Paina ON/OFF-virtapainiketta (A) ohjauspaneelissa, jolloin vihreä merkkivalo (B) syttyy.



5. Avaa käynnistyksenesto.



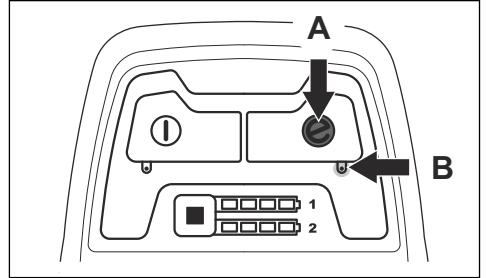
6. Työnnä moottorin jarrukahvaa kahvaston suuntaan.



## SavE-toiminnon käyttäminen

Laitteessa on akkua säästävää toiminto (SavE), joka pidentää käyttöaika.

1. Käynnistä toiminto painamalla SavE-painiketta (A). Vihreä merkkivalo syttyy.



2. Sammuta toiminto painamalla uudestaan SavE-painiketta (A). Vihreä merkkivalo (B) sammuu.

SavE-toiminto sammuu automaattisesti, jos nurmikon olosuhteet vaativat suurempaa tehoa. SavE-toiminto käynnistyy automaattisesti, kun nurmikon olosuhteet sallivat sen.

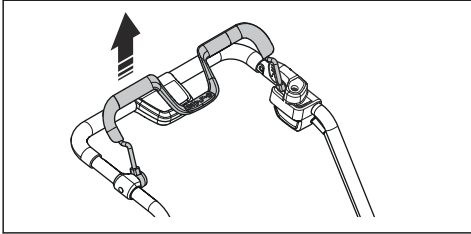
## Suuri kuormitus -toiminto

Kun laitteella leikataan korkeaa tai märkää ruohoa, moottori lisää automaattisesti kierrosnopeutta. Moottori siirtyy takaisin normaaliin tilaan, kun suuri kuormitus ei ole tarpeen.

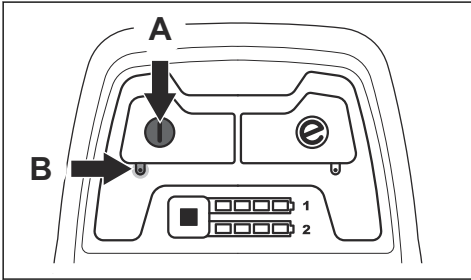
## Laitteen pysäyttäminen

Laitte sammuu automaattisesti, jos sitä ei käytetä 10 minuuttiin. Käännä turva-avain asentoon 0, ennen kuin jätät laitteen ilman valvontaa.

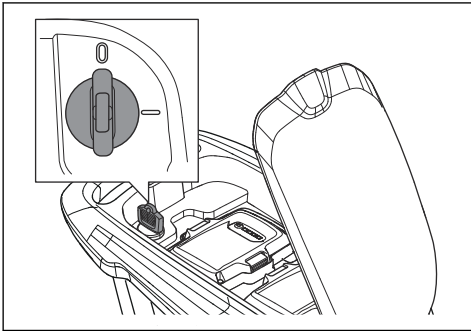
1. Pysäytä moottori vapauttamalla moottorin jarrukahva.



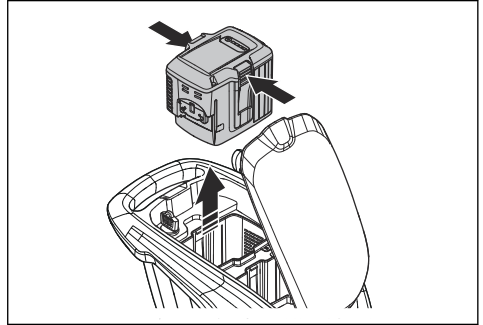
2. Paina virtapainiketta (A) ohjauspaneelissa, jolloin vihreä merkkivalo (B) sammuu.



3. Avaa akun kansi ja käännä turva-avain asentoon 0.



4. Irrota akku painamalla kahta vapautuspainiketta ja vedä akku ulos.



5. Lataa akku, jos sen lataustaso on alhainen. Katso lisätietoja kohdasta *Akun lataaminen sivulla 192*.

## Hyvän tuloksen saavuttaminen

- Käytä aina hyvin teroitettua terää. Tylsä terä leikkaa epätasaisesti ja ruohosta tulee keltaista leikatun pinnan kohdalta. Hyvin teroitettu terä käyttää myös tylsää terää vähemmän energiaa.
- Älä leikkaa enempää kuin 1/3 ruohon pituudesta. Aseta leikkuukorkeus ensimmäisellä leikkuukerralla korkeaksi. Tutkittuasi leikkuutuloksen voit laskea leikkuukorkeuden haluamallasi tasolle. Jos ruoho on erittäin pitkää, kulje hitaasti ja leikkaa nurmikko tarvittaessa kaksi kertaa.
- Leikkaa joka kerta eri suuntiin, jotta nurmikkoon ei tule raitoja.
- Pidä leikkuusuojus puhtaana. Leikkuusuojuksen sisäpuolelle kertynyt ruoho ja lika voivat heikentää leikkuutuloksia. Katso kohta *Laitteen puhdistaminen sivulla 195*.

## Huolto

### Johdanto



**VAROITUS:** Ennen minkäänlaisten huoltotöiden aloittamista sinun on luettava turvallisuutta käsittelevä luku niin, että ymmärrät sen sisällön.

Kaikkiin tuotteelle tehtäviin huolto- ja korjaustöihin tarvitaan erityiskoulutus. Takaamme, että tuotteemme

huolletaan ja korjataan ammattimaisesti. Jos jälleenmyyjäsi ei ole huoltoliike, pyydä jälleenmyyjää neuvomaan lähin huoltoliike.

### Huoltokaavio

Huoltovälit on laskettu laitteen päivittäisen käytön perusteella. Välit voivat muuttua, jos laitetta ei käytetä päivittäin.

Saat lisätietoja \*-merkillä merkityistä huolloista kohdasta  
Tuotteen turvalaitteet sivulla 187.

	Jokaisella käyttökerralla	Kuukausittain	Kerran käyttökäudessa
Tee yleistarkastus.	X		
Puhdista laite.	X		
Tarkista käynnistyksenesto *	X		
Varmista, että tuotteen turvalaitteissa ei ole vikoja *	X		
Tarkista terävarustus.	X		
Tarkista leikkuusuojus*.	X		
Tarkista moottorin jarrukahva *	X		
Tarkista, että virtapainike toimii oikein eikä se ole viallinen	X		
Tarkista akku vaurioiden varalta	X		
Tarkista akun varaustila	X		
Tarkista, että akun vapautuspainikkeet toimivat oikein ja että akku lukittuu laitteeseen	X		
Tarkista akkulaturi vaurioiden varalta ja varmista, että se toimii oikein		X	
Tarkista akun ja laitteen väliset kytkennät. Tarkista myös akun ja akkulaturin välisen kytkentä.			X

## Yleistarkastus

- Varmista, että tuotteen kaikki ruuvit ja mutterit on kiristetty.
- Varmista, että laitteen kaapelit on asennettu siten, että ne eivät vahingoitu.

## Laitteen puhdistaminen

- Puhdista muoviosat puhtaalla ja kuivalla liinalla.
- Älä käytä vettä, kun puhdistat laitetta. Vesi voi päästä akkuun tai moottoriin ja vaurioittaa laitetta tai aiheuttaa oikosulun.
- Älä käytä laitteen puhdistamiseen painepesuria.
- Älä suihkuta vettä suoraan moottorin päälle.
- Poista lehdet, ruoho ja lika harjalla.

## Akun ja akkulaturin puhdistaminen



**VAROITUS:** Älä pese akkua tai akkulaturia vedellä.

- Varmista, että akku ja akkulaturi ovat puhtaita ja kuivia ennen kuin laitat akun akkulaturiin.
- Puhdista akku liittimet paineilmalla tai pehmeällä, kuivalla liinalla.

- Puhdista akun ja akkulaturin pinnat pehmeällä, kuivalla liinalla.

## Terävarustuksen tarkistaminen



**VAROITUS:** Jotta kone ei käynnisty vahingossa, käännä turva-avain asentoon 0, irrota akku ja odota vähintään viisi sekuntia.



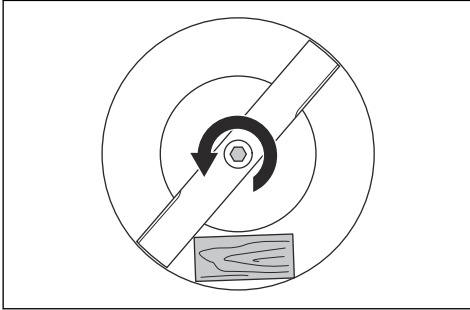
**VAROITUS:** Käytä suojakäsineitä huoltaessasi terävarustusta. Terä on erittäin terävä ja aiheuttaa helposti haavoja.

1. Tutki terävarustus vaurioiden tai halkeamien varalta. Vaurioitunut terävarustus on aina vaihdettava.
2. Tarkista, onko terä vaurioitunut tai tylsä.

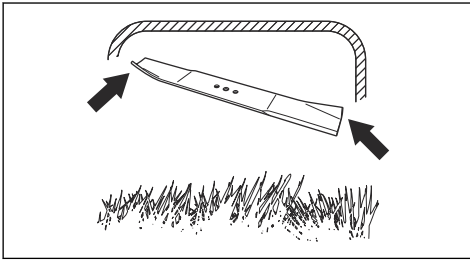
**Huomaus:** Terä on tasapainotettava oikein teroituksen jälkeen. Anna huoltoliikkeen teroittaa, vaihtaa ja tasapainottaa terä. Jos osut esteeseen niin, että tuote pysähtyy, vaihda vaurioitunut terä. Anna huoltoliikkeen arvioida, voiko terän teroittaa vai onko se vaihdettava.

## Terän vaihtaminen

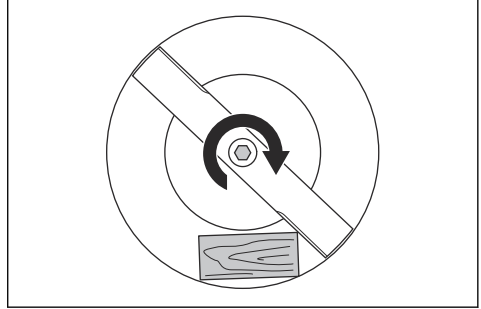
1. Lukitse terä puukiilalla.



2. Irrota teräpultti.  
3. Irrota terä.  
4. Tutki terän tuki ja teräpultti vaurioiden varalta.  
5. Tutki moottorin akseli ja varmista, ettei se ole vääntynyt.  
6. Asenna uusi terä siten, että terän kulmikkaat päät osoittavat leikkuusuojuksen suuntaan.



7. Varmista, että terä on kohdistettu moottorin akselin keskiosan kanssa.  
8. Lukitse terä puukiilalla. Kiinnitä jousialuslevy paikalleen ja kiristä pultti ja aluslevy momenttiin 23–28 Nm.



9. Pyöritä terää käsin ja varmista, että se pyörii vapaasti.



**VAROITUS:** Käytä työrukkasia.

Terä on erittäin terävä ja aiheuttaa helposti haavoja.

10. Testaa terää käynnistämällä laite. Jos terä ei ole kiinnitetty asianmukaisesti, laite tärisee tai sen leikkuutullos ei ole tyydyttävä.

## Vianmääritys

### Akku

Akun merkkivalo	Syy	Ratkaisu
Vihreä merkkivalo vilkkuu	Akun jännite on alhainen.	Lataa akku. Katso <i>Akun lataaminen sivulla 192</i> .
Vian merkkivalo vilkkuu.	Akun varaus on heikko.	Lataa akku. Katso <i>Akun lataaminen sivulla 192</i> .
	Työympäristön lämpötila on liian korkea tai liian matala.	Käytä akkua -10...40 °C:n lämpötilassa.
	Ylijännite.	Varmista, että verkkojännite vastaa laitteeseen kiinnitettyssä arvokilvessä ilmoitettua jännitettä. Irrota akku akkulatorista. Odota viisi sekuntia ja yritä ladata akkua uudelleen. Jos ongelma jatkuu, ota yhteys hyväksytyyn huoltoliikkeeseen.

Akun merkkivalo	Syy	Ratkaisu
Vian merkkivalo palaa.	Akkunennoston väli liian suuri (1 V).	Ota yhteys valtuutettuun huoltoliikkeeseen.

## Akkulaturi

Akkulaturin merkkivalo	Syy	Ratkaisu
Vian merkkivalo vilkkuu.	Työympäristön lämpötila on liian korkea tai liian matala.	Käytä akkulaturia 5...40 °C:n lämpötilassa.
Vian merkkivalo palaa.		Ota yhteys valtuutettuun huoltoliikkeeseen.

## Ohjauspaneeli

Muissa kuin tässä osiossa luetelluissa ongelmatilanteissa ota yhteys huoltoliikkeeseen.

Näppäimistö	Virhekoodi (merkkivalon vilkahdusten määrä)	Mahdolliset viat	Mahdolliset toimenpiteet
Vian merkkivalo vilkkuu	3	Moottori on ylikuormittunut	Nosta leikkuukorkeutta. Katso <i>Leikkuukorkeuden asettaminen sivulla 192</i> .
	5	Moottorin nopeus laskee liikaa.	
	10	Moottorin ohjaus on liian kuumaa	Sammuta moottori ja odota, että se jäähtyy
	2	Terä on jumissa	Jotta kone ei käynnisty vahingossa, käännä turva-avain asentoon 0, irrota akku ja odota vähintään viisi sekuntia. Varmista, että terä pyörii vapaasti. Jos ongelma jatkuu, ota yhteys valtuutettuun huoltoliikkeeseen.
	9	Akkuvika tai akusta ei saada signaalia.	Aseta akku laitteeseen oikein ja tarkista akkuliitin. Jos akun vian merkkivalo vilkkuu, katso <i>Akku sivulla 192</i> .
Laite pysähtyy	8	Akun varaus on heikko	Lataa akku. Katso <i>Akun lataaminen sivulla 192</i> .
	0	Akkuliitinvika	Tarkasta akkuliitin.

## Kuljettaminen, säilyttäminen ja hävittäminen

### Johdanto



**VAROITUS:** Jotta kone ei käynnisty vahingossa kuljetuksen aikana, käännä turva-avain asentoon 0, irrota akku ja odota vähintään viisi sekuntia.

### Kuljettaminen

- Vaarallisten aineiden lainsäädännön määräykset koskevat tuotteessa olevia litiumioniakkuja.
- Tavarakuljetuksessa on noudatettava pakkausta ja merkintöjä koskevia erityismääräyksiä.

- Muista noudattaa vaarallisia aineita koskevia määräyksiä, kun valmistelet laitetta kuljetukseen. Myös mahdollisia paikallisia määräyksiä on noudatettava.
- Irrota akku aina kuljetuksen ajaksi.
- Teippaa akkuliittimet ja varmista, että akku ei pääse liikkumaan kuljetuksen aikana.
- Kiinnitä laite kuljetuksen ajaksi.

## Säilytys

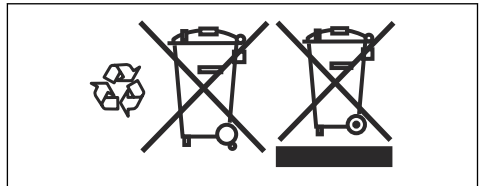
- Irrota akku aina säilytyksen ajaksi.
- Onnettomuuksien välttämiseksi varmista, ettei akku ole kytkettynä laitteeseen säilytyksen aikana.
- Säilytä akkulatoria ainoastaan suljetussa ja kuivassa paikassa.
- Säilytä akkua ja akkulatoria kuivassa paikassa, jossa lämpötila ei laske pakkasen puolelle.
- Irrota akku akkulatorista varastoinnin ajaksi.
- Älä säilytä akkua paikassa, jossa on staattista sähköä. Älä säilytä akkua metallilaatikossa.
- Säilytä akkua 5–25 °C:n lämpötilassa ja poissa suorasta auringonvalosta.
- Säilytä akkulatoria 5–45 °C:n lämpötilassa ja poissa suorasta auringonvalosta.
- Varmista, että akun varaustaso on 30–50 % ennen pitkäaikaista säilytystä.

- Säilytä laitetta, akkua ja akkulatoria lukitussa tilassa lasten ja asiaankuulumattomien henkilöiden ulottumattomissa.
- Puhdista laite ja tee täysi huolto ennen pitkäaikaista säilytystä.

## Hävittäminen

Laitteessa tai sen pakkauksessa olevat symbolit osoittavat, ettei laitetta saa hävittää kotitalousjätteen mukana. Se on toimitettava asianmukaiseen sähkö- ja elektroniikkalaitteiden keräyspisteeseen.

Varmistamalla laitteen asianmukaisen hävittämisen autat vähentämään mahdollisia negatiivia ympäristövaikutuksia, joita tämän laitteen virheellisestä hävittämisestä koituisi. Lisätietoja tämän laitteen kierrätyksestä saat ottamalla yhteyden kotikuntasi viranomaisiin, jätteenhuoltoon tai laitteen myyneeseen liikkeeseen.



## Tekniset tiedot

	LB 146i
<b>Leikkumoottori</b>	
Moottorityyppi	BLDC (harjaton) 36 V
Moottorin nopeus – SavE, r/min	2 600
Moottorin nopeus – nimellinen, r/min	3 000
Moottorin nopeus – suuri kuormitus, r/min	3 500
Moottorin teho – enintään, kW	1,05
Moottorin teho – nimellinen, kW	0,9
Ylivirran rajoitus (Virran raja: 900W-27A)	27 (+/-) 1A
<b>Paino</b>	
Paino ilman akkua, kg	16,9
<b>Akku</b> <sup>33</sup>	
Akkutyyppe	Husqvarna-akkusarja
<b>Akun käyttöaika</b>	

<sup>33</sup> Parhaan tuloksen ja suorituskyvyn saamiseksi suositellaan Husqvarna BLi200 -akkua.

	<b>LB 146i</b>
Akun käyttöaika, min, (vapaa käyttö) SavE-toiminto käytössä, yksi 5,2 Ah:n Husqvarna-akku (BLi200).	77
Akun käyttöaika minuutteina (joutokäynti), normaali tila käytössä, yksi 5,2 Ah:n Husqvarna-akku (BLi200).	45
<b>Melupäästöt</b> <sup>34</sup>	
Äänen tehotaso, mitattu dB(A)	90
Äänen tehotaso, taattu L <sub>WA</sub> dB(A)	91
<b>Äänitasot</b> <sup>35</sup>	
Äänenpainetaso käyttäjän korvan tasalla, dB(A)	79
<b>Tärinätasot</b> <sup>36</sup>	
Kahva, m/s <sup>2</sup>	0,9
<b>Terälaite</b>	
Leikkuukorkeus, mm	35-70 mm
Leikkuuleveys, cm	46
Terä	BioClip
Tuotenumero	5947022-10

<b>Hyväksytyt akut</b>	<b>Tyyppi</b>	<b>Akun kapasiteetti, Ah</b>	<b>Jännite, V</b>	<b>Paino, kg</b>
BLi20	Litiumioni	4,0	36	1,2
BLi200	Litiumioni	5,2	36	1,3
BLi300	Litiumioni	9,4	36	1,9

<b>Hyväksytyt laturit tietyille BLi-akuille</b>	<b>Tulojännite, V</b>	<b>Taajuus, Hz</b>	<b>Teho, W</b>
QC80	100-240	50–60	100
QC80F	10–15	–	95
QC330	100-240	50–60	330
QC500	100-240	50–60	500
40-C80	100-240	50–60	68,8

<sup>34</sup> Melupäästö ympäristöön äänitehona (L<sub>WA</sub>) EY-direktiivin 2000/14/EY mukaisesti mitattuna.

<sup>35</sup> Äänenpainetasoista ilmoitettujen tietojen tyypillinen tilastollinen hajonta (keskihajonta) on 1,2 dB(A).

<sup>36</sup> Tärinätasolle ilmoitetuissa tiedoissa tyypillinen tilastollinen hajonta (vakiopoikkeama) on 0,2 m/s<sup>2</sup>. Tärinästandardi EN 60335-2-77:2017, luku 20.105

## EY-vaatimustenmukaisuusvakuutus

**Husqvarna AB**, SE-561 82 Huskvarna, Ruotsi, puh.:  
+46-36-146500, vakuuttaa, että **Husqvarna, LB 146i -  
ruohonleikkurit** vuodesta 2021 alkaen ovat seuraavien  
NEUVOSTON DIREKTIIVIEN mukaisia:

- 8. kesäkuuta 2011 annettu direktiivi **2011/65/EU**  
tiettyjen vaarallisten aineiden käytön rajoittamisesta
- 17. toukokuuta 2006 annettu konedirektiivi  
**2006/42/EY**
- 26. helmikuuta 2014 annettu direktiivi **2014/30/EU**  
sähkömagneettisesta yhteensopivuudesta
- 8. toukokuuta 2000 annettu laitemeludirektiivi  
**2000/14/EY**.

Melupäästöjä koskevat tiedot löytyvät luvusta Tekniset  
tiedot.

Seuraavia standardeja on sovellettu:

**EN 60335-1:2012+A11:2014+A13:2017, EN  
60335-2-77:2010, EN 62233:2008, EN  
55014-1:2017+A11:2020, EN 55014-2:2015, EN IEC  
63000:2018**

Yllä luetellut standardit ovat standardien uusimmat  
julkaistut versiot, mikäli muuta ei ole ilmoitettu.

Ilmoitettu tarkastuslaitos: **0404, RISE SMP Svensk  
Maskinprovning AB, Box 7035, SE-750 07 Uppsala** on  
arvioinut vaatimustenmukaisuuden direktiivin  
2000/14/EY liitteen VI mukaisesti.

Huskvarna, 2021-10-30



Claes Losdal, kehityspäällikkö/puutarhatuotteet  
(Husqvarna AB:n valtuutettu ja teknisestä  
dokumentaatiosta vastaava edustaja)



# Sommaire

Introduction.....	201	Dépannage.....	219
Sécurité.....	204	Transport, entreposage et mise au rebut.....	220
Montage.....	212	Caractéristiques techniques.....	221
Utilisation.....	213	Déclaration de conformité CE.....	223
Entretien.....	217		

# Introduction

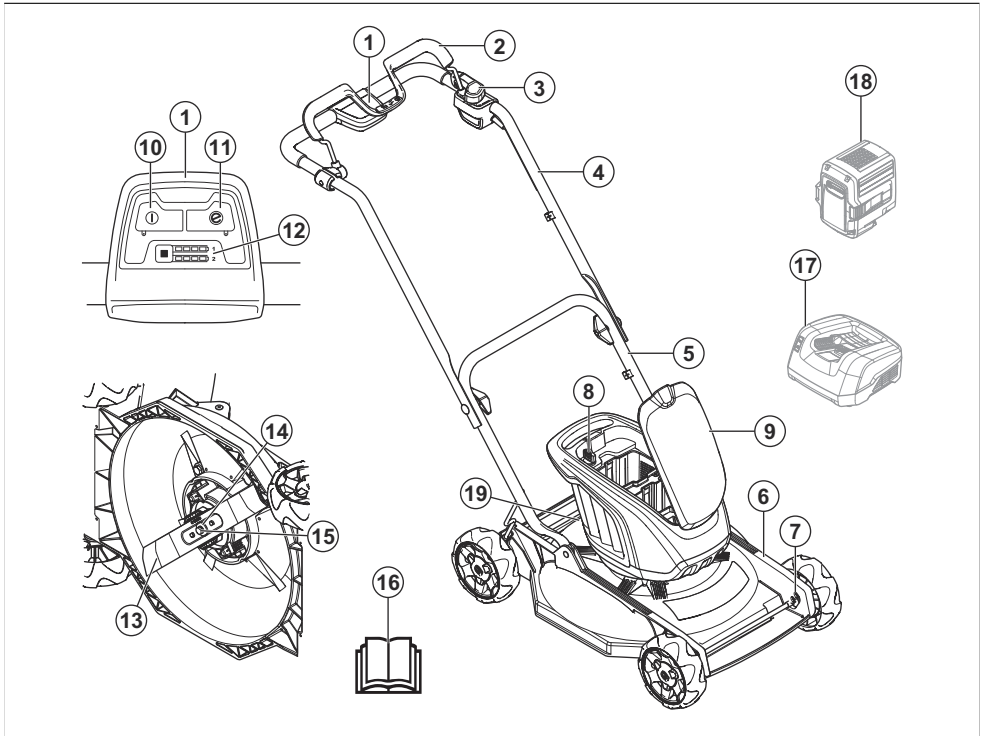
## Description du produit

Le produit est une tondeuse rotative à pousser qui utilise BioClip pour transformer l'herbe en engrais.

## Utilisation prévue

Utilisez le produit pour couper l'herbe. N'utilisez pas ce produit pour d'autres travaux.

## Aperçu du produit



- |   |  |
|---|--|
| 1. Panneau de commande                        | 8. Clé de sécurité                                     |
| 2. Poignée de frein moteur                    | 9. Capot de la batterie                                |
| 3. Antidémarrage                              | 10. Bouton MARCHÉ/ARRÊT                                |
| 4. Poignée supérieure                         | 11. Bouton Save  |
| 5. Poignée inférieure                         | 12. Témoin de charge de batterie et bouton de batterie |
| 6. Capot de coupe                             | 13. Lame   |
| 7. Commande de réglage de la hauteur de coupe | 14. Rondelle élastique                                 |

15. Boulon de lames
16. Manuel de l'opérateur
17. Chargeur de batterie (accessoire)
18. Batterie (accessoire)
19. Plaque signalétique avec code QR

## Symboles concernant le produit



Avertissement : une utilisation erronée ou négligente peut occasionner des blessures graves, voire mortelles, pour l'opérateur ou d'autres personnes.



Lisez attentivement le manuel d'utilisation et assurez-vous de bien comprendre les instructions avant utilisation.



Maintenez les personnes et les animaux à une distance suffisante de la zone de travail.



Attention : projections et ricochets.



Avertissement : Maintenez les mains et les pieds à distance de la lame en rotation.



Avertissement : Maintenez les pieds et

les mains à distance des pièces en mouvement.



Retirez la clé de sécurité avant d'effectuer des travaux de réparation ou d'entretien.



N'exposez pas l'appareil à la pluie.



Le produit ou son emballage ne font pas partie des ordures ménagères. Déposez-le dans une station de recyclage pour équipements électriques et électroniques.



Le produit est conforme aux directives CE en vigueur.



Le produit est conforme aux directives de l'Union douanière eurasiatique en vigueur.



Le produit est conforme aux directives UkrSEPRO en vigueur.



Le produit est conforme aux directives RCM en vigueur. S'applique à l'Australie/la Nouvelle-Zélande uniquement



Émissions sonores dans l'environnement selon la directive de la Communauté européenne. Les émissions du produit sont indiquées au chapitre Caractéristiques techniques et sur les autocollants.

**IPX1** IPX1 - Protection contre les gouttes d'eau



Procédure de démarrage : appuyez sur le bouton ON/OFF, relâchez l'antidémarrage, puis poussez la poignée du frein moteur vers le bas.



Relâchez la poignée de frein moteur pour arrêter.

---

**Remarque:** Les autres symboles/autocollants présents sur le produit concernent des exigences de certification spécifiques à certains marchés.

---

## Étiquette sur le produit



DANGER - Gardez les mains et les pieds à l'écart.

## Responsabilité

Conformément à la loi sur la responsabilité du fait des produits, nous déclinons toute responsabilité pour tout dommage causé par notre produit si :

- le produit n'est pas correctement réparé ;
- le produit est réparé avec des pièces qui ne proviennent pas du fabricant ou qui ne sont pas homologuées par le fabricant ;
- le produit est équipé d'un accessoire qui ne provient pas du fabricant ou qui n'est pas homologué par le fabricant ;
- le produit n'est pas réparé par un centre d'entretien agréé ou par une autorité homologuée.

### Définitions de sécurité

Des avertissements, des recommandations et des remarques sont utilisés pour souligner des parties spécialement importantes du manuel.



**AVERTISSEMENT:** Symbole utilisé en cas de risque de blessures ou de mort pour l'opérateur ou les personnes à proximité si les instructions du manuel ne sont pas respectées.



**REMARQUE:** Symbole utilisé en cas de risque de dommages pour le produit, d'autres matériaux ou les environs si les instructions du manuel ne sont pas respectées.

---

**Remarque:** Symbole utilisé pour donner des informations supplémentaires pour une situation donnée.

---

### Instructions générales de sécurité

---



**AVERTISSEMENT:**  
Lisez les instructions qui suivent avant d'utiliser le produit.

---

- Ce produit est dangereux s'il est utilisé de manière incorrecte ou imprudente. Des blessures graves ou mortelles peuvent se produire si vous ne respectez pas les instructions de sécurité.
- Ce produit génère un champ électromagnétique durant son fonctionnement. Ce champ peut dans certaines circonstances perturber le fonctionnement d'implants médicaux actifs ou passifs. Pour réduire le risque de blessures graves ou mortelles, les personnes portant des implants médicaux doivent consulter leur médecin et le fabricant de leur implant avant d'utiliser ce produit.
- Soyez toujours prudent et utilisez votre bon sens. Si vous ne savez pas comment faire fonctionner le produit dans une situation particulière,

ne l'utilisez pas et contactez votre Husqvarna revendeur avant de poursuivre.

- N'oubliez pas que l'opérateur sera tenu responsable des accidents occasionnés à des tiers et à leurs biens.
- Maintenez le produit propre. Assurez-vous que vous pouvez lire clairement les avertissements et les autocollants.
- N'autorisez jamais des enfants ou des personnes qui ne sont pas familiarisées avec ces instructions à se servir de cet appareil. Les réglementations nationales peuvent limiter l'âge de l'utilisateur
- Surveillez constamment les personnes aux capacités physiques ou mentales réduites qui utilisent ce produit. Un adulte responsable doit être présent à tout moment.
- N'utilisez jamais l'appareil si vous êtes fatigué ou malade, ou si vous êtes sous l'emprise d'alcool, de drogues ou de médicaments. Cela a un effet négatif sur votre vision, votre vigilance, votre coordination et votre jugement.
- N'utilisez pas le produit si celui-ci est défectueux.

- Ne modifiez jamais le produit et ne l'utilisez jamais s'il est susceptible d'avoir été modifié par un tiers.

## Sécurité dans l'espace de travail

---



### AVERTISSEMENT:

Lisez les instructions qui suivent avant d'utiliser le produit.

---

- Retirez les objets tels que les branches, les brindilles et les pierres de la zone de travail avant d'utiliser le produit.
- Les objets heurtant l'équipement de coupe peuvent être éjectés et causer des blessures ou des dégâts matériels. Maintenez les personnes aux alentours et les animaux à une distance suffisante du produit.
- N'utilisez jamais le produit par mauvais temps, par exemple en cas de brouillard, de pluie, de vent violent, de froid intense et de risque d'éclair. Utiliser le produit par mauvais temps ou dans des environnements humides est fatigant. Le mauvais temps peut rendre les conditions de travail dangereuses : des

surfaces peuvent par exemple devenir glissantes.

- Identifiez les éventuels personnes, objets et situations susceptibles de nuire à la sécurité du fonctionnement du produit.
- Soyez attentif aux obstacles tels que les racines, les pierres, les brindilles, les fosses et les fossés. L'herbe haute peut cacher des obstacles.
- Il peut être dangereux de couper l'herbe sur des terrains en pente. N'utilisez pas la tondeuse sur des pentes très raides. N'utilisez pas le produit sur un sol dont la pente est supérieure à 15°.
- Faites très attention lorsque vous changez de direction sur des surfaces en pente. Faites fonctionner le produit en travers de la courbe de la pente, jamais de haut en bas.
- Soyez prudent lorsque vous vous approchez de coins cachés et d'objets qui empêchent d'avoir une vue dégagée.

## Sécurité du travail



### **AVERTISSEMENT:**

Lisez les instructions qui

suivent avant d'utiliser le produit.

---

- Utilisez le produit uniquement pour couper les pelouses. Il est interdit d'utiliser le produit pour d'autres travaux.
- Utilisez un équipement de protection personnelle. Reportez-vous à la section *Équipement de protection individuelle à la page 207.*
- Assurez-vous de savoir comment couper le moteur rapidement en cas d'urgence.
- Le produit ne doit pas être exposé à la pluie ou à l'humidité. Le risque de choc électrique augmente si de l'eau pénètre dans le produit.
- Faites fonctionner le produit uniquement si la lame et tous les couvercles sont fixés correctement. Une lame fixée de manière inadéquate risque de se détacher et de causer des blessures personnelles.
- Assurez-vous que la lame ne touche pas des objets tels que des pierres et des racines. Cela peut endommager la lame et tordre l'arbre du moteur. Un arbre tordu génère de fortes vibrations, il y a alors un risque important que la lame se détache.

- Arrêtez immédiatement le produit s'il vibre ou bute sur un objet. Arrêtez le moteur, tournez la clé de sécurité sur 0 et déposez la batterie. Vérifiez que le produit n'est pas endommagé. Réparez les éventuels dommages ou demandez à un atelier spécialisé agréé procéder aux réparations.
- N'attachez jamais la poignée de frein moteur en permanence à la poignée de commande quand le moteur est mis en marche.
- Placez le produit sur une surface stable et plane, puis lancez-le. Vérifiez que la lame ne touche pas le sol ou tout autre objet.
- Restez toujours derrière le produit lorsque vous l'utilisez.
- Faites reposer toutes les roues sur le sol et conservez vos deux mains sur la poignée lorsque vous faites fonctionner le produit. Maintenez les mains et les pieds à distance des lames en rotation.
- N'inclinez pas le produit quand le moteur est mis en marche.
- Soyez prudent lorsque vous tirez le produit vers l'avant.
- Ne soulevez jamais le produit quand le moteur est mis en marche. Si vous devez soulever le produit, arrêtez d'abord le moteur, tournez la clé de contact sur 0 et déposez la batterie.
- Ne marchez pas vers l'arrière lorsque vous utilisez le produit.
- Arrêtez le moteur lorsque vous vous déplacez à travers des zones exemptes d'herbe, par exemple des chemins de gravier, de pierre ou d'asphalte.
- Ne courez pas lorsque vous utilisez le produit et que le moteur est mis en marche. Vous devez toujours marcher lorsque vous utilisez le produit.
- Arrêtez le moteur avant de modifier la hauteur de coupe. N'effectuez jamais de réglages pendant que le moteur tourne.
- Ne quittez jamais le produit des yeux pendant que le moteur tourne. Arrêtez le moteur et assurez-vous que l'équipement de coupe ne tourne pas.

**Consignes de sécurité pour le fonctionnement**

**Équipement de protection individuelle**



**AVERTISSEMENT:**

Lisez les instructions qui

suivent avant d'utiliser le produit.

- L'équipement de protection individuel ne protège pas complètement des blessures, mais il diminue la gravité des blessures en cas d'accident. Faites appel à votre revendeur pour vous aider à sélectionner l'équipement adéquat.
- Portez des bottes ou chaussures antidérapantes à usage intensif. Ne portez pas de chaussures ouvertes et ne soyez pas pieds nus lorsque vous utilisez le produit.
- Utilisez des pantalons longs et épais.
- Portez des gants de protection en cas de besoin, par exemple lorsque vous fixez, examinez ou nettoyez l'équipement de coupe.

#### Dispositifs de sécurité sur le produit



**AVERTISSEMENT:** Lisez les instructions qui suivent avant d'utiliser le produit.

- N'utilisez pas un produit avec des dispositifs de sécurité défectueux.
- Contrôlez les dispositifs de sécurité régulièrement. Si les dispositifs de sécurité sont défectueux, parlez-en à votre agent d'entretien Husqvarna.

#### Pour contrôler le capot de coupe

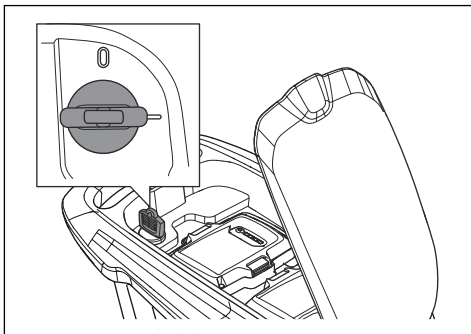
Le capot de coupe réduit les vibrations dans le produit et réduit le risque de blessures provoquées par la lame.

- Examinez le capot de coupe pour vous assurer qu'il ne présente pas de dommages tels que des fissures.

#### Clé de sécurité

La clé de sécurité se trouve sous le couvercle de la batterie. La clé de sécurité est reliée à la batterie qui alimente le moteur.

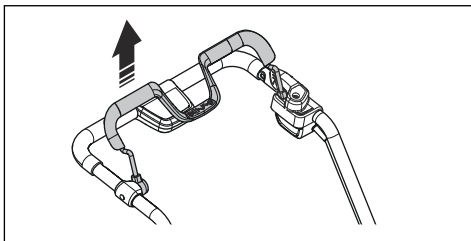
- Démarrez et arrêtez le moteur pour contrôler la clé de sécurité.
- Si la clé de sécurité fonctionne correctement, le moteur démarre seulement lorsque la clé de sécurité est en position 1.



#### Poignée de frein moteur

La poignée de frein moteur arrête le moteur. Lorsque la poignée de frein moteur est relâchée, le moteur s'arrête.

Pour inspecter le frein moteur, démarrez le moteur, puis relâchez la poignée de frein moteur. Si le moteur ne s'arrête pas au bout de 3 secondes, demandez à un atelier Husqvarna spécialisé agréé de régler le frein moteur.



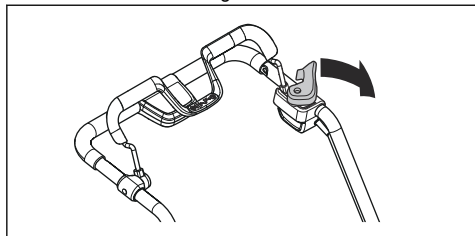
#### Pour contrôler l'antidémarrage

Contrôlez l'antidémarrage afin de vous assurer qu'il empêche le fonctionnement du moteur.

1. Poussez la poignée de frein moteur en direction du guidon. L'antidémarrage arrête le mouvement.



2. Poussez l'antidémarrage.



3. Relâchez l'antidémarrage et assurez-vous qu'il revient dans sa position initiale.

## Consignes de sécurité relatives à l'utilisation de la batterie



**AVERTISSEMENT:** lisez les instructions qui suivent avant d'utiliser le produit.

- Utilisez des batteries rechargeables Husqvarna pour alimenter les produits Husqvarna uniquement. Afin d'éviter toute blessure, n'utilisez pas la batterie comme source d'alimentation pour d'autres produits.
- N'utilisez pas de batteries non rechargeables.
- Risque de choc électrique. Ne branchez pas les bornes de la batterie à des clés, des pièces de monnaie, des vis ou tout autre élément métallique. Cela peut provoquer un court-circuit de la batterie.
- Ne placez pas d'objets dans les fentes d'aération de la batterie.
- Protégez la batterie des rayons directs du soleil, de la chaleur et des flammes nues. La batterie peut exploser et provoquer des brûlures et/ou des brûlures chimiques.
- Protégez la batterie de la pluie et de l'humidité.
- Protégez la batterie des micro-ondes et des hautes pressions.
- N'essayez pas de démonter ou de casser la batterie.
- En cas de fuite de la batterie, ne laissez pas le liquide entrer en contact avec votre peau ou vos yeux. Si vous avez touché le liquide, nettoyez la zone avec beaucoup d'eau claire et contactez un médecin.
- Utilisez la batterie à une température comprise entre  $-10\text{ °C}$  et  $40\text{ °C}$ .
- Ne nettoyez pas la batterie ou le chargeur de batterie avec de l'eau. Consultez la section *Pour nettoyer la batterie et le chargeur de batterie à la page 218*.
- N'utilisez pas de batterie défectueuse ou endommagée.
- Conservez les batteries en stock à distance des objets métalliques, tels que clous, pièces de monnaie ou bijoux.

## Consignes de sécurité relatives au chargeur de batterie



**AVERTISSEMENT:** lisez les instructions qui suivent avant d'utiliser le produit.

- Utilisez uniquement des chargeurs de batterie QC Husqvarna pour charger les batteries de remplacement.
- Risque de choc électrique ou de court-circuit. Ne placez pas d'objets dans les fentes d'aération du chargeur. N'essayez pas de démonter le chargeur de batterie. Ne raccordez pas les bornes du chargeur à des objets métalliques. Utilisez une prise secteur agréée.
- Ce produit génère un champ électromagnétique durant son fonctionnement. Ce champ peut dans certaines circonstances perturber le fonctionnement d'implants médicaux actifs ou passifs. Pour réduire le risque de blessures graves ou mortelles, les personnes portant des implants médicaux doivent consulter leur médecin et le fabricant de leur implant avant d'utiliser cet appareil.
- Assurez-vous régulièrement que le cordon d'alimentation du chargeur de batterie n'est pas endommagé et qu'il ne présente aucune fissure.
- Ne soulevez pas le chargeur de batterie par le cordon d'alimentation. Pour débrancher le chargeur de batterie d'une prise d'alimentation secteur, tirez sur la fiche. Ne tirez pas le cordon d'alimentation.
- Conservez le cordon d'alimentation et les rallonges à l'abri de l'eau, de l'huile et des bords tranchants. Veillez à ce que le câble ne soit pas coincé dans des portes, des clôtures ou tout autre équipement similaire. Le chargeur pourrait être mis sous tension.
- Ne nettoyez pas le chargeur de batterie avec de l'eau.
- Le chargeur de batterie peut être utilisé par des enfants âgés de 8 ans et plus et des personnes ayant des handicaps physiques, sensoriels ou mentaux ou manquant d'expérience et de connaissances à condition qu'ils aient reçu la surveillance ou les instructions appropriées concernant l'utilisation du chargeur de batterie en toute

sécurité et qu'ils aient bien compris les risques encourus. Les enfants ne doivent pas jouer avec le chargeur de batterie. Le nettoyage et les opérations d'entretien à effectuer par l'utilisateur ne doivent pas être réalisés par des enfants sans surveillance.

- Ne chargez pas de batterie non rechargeable dans le chargeur de batterie.
- N'utilisez pas le chargeur de batterie à proximité de matériaux inflammables ou de matériaux pouvant provoquer la formation de corrosion. Ne recouvrez pas le chargeur de batterie. En cas de dégagement de fumée ou de début d'incendie, débranchez aussitôt la fiche reliée au chargeur de batterie.
- N'utilisez pas de chargeur de batterie défectueux ou endommagé.
- Rechargez la batterie uniquement en intérieur, dans un endroit bien aéré et à l'abri de la lumière. Ne rechargez pas la batterie dans des conditions humides.

## Consignes de sécurité pour l'entretien



### AVERTISSEMENT:

Lisez les instructions qui suivent avant d'utiliser le produit.

---

- Afin d'éviter tout démarrage accidentel pendant l'entretien, tournez la clé de sécurité sur 0 et retirez la batterie. Attendez au moins 5 secondes avant de commencer l'entretien.
- Effectuez l'entretien correctement afin de prolonger la durée de vie du produit et de réduire les risques d'accident. Faites réaliser les réparations professionnelles par un agent d'entretien agréé. Contactez votre agent d'entretien le plus proche pour plus d'informations.
- Effectuez uniquement les tâches d'entretien décrites dans le présent manuel d'utilisation. Les mesures plus importantes doivent être effectuées par un agent d'entretien agréé.
- Portez des gants de protection robustes lorsque vous manipulez l'équipement de coupe. La lame est très

tranchante et des coupures peuvent survenir facilement.

- Maintenez les bords tranchants aiguisés et propres pour obtenir des performances optimales et sûres.
- Laissez à l'agent d'entretien le soin de contrôler régulièrement le produit et d'effectuer les réglages et les réparations nécessaires.
- Remplacez les pièces endommagées, usées ou cassées.
- Respectez les instructions relatives au remplacement des

accessoires. Utilisez uniquement des accessoires obtenus auprès du fabricant.

- Lorsqu'ils ne sont pas utilisés, conservez le produit avec la batterie et le chargeur de batterie à part dans un endroit sec, en intérieur et verrouillé. Veillez à ce que les enfants et les personnes non autorisées ne puissent avoir accès au produit, à la batterie ou au chargeur de batterie.

---

## Montage

---

### Introduction



**AVERTISSEMENT:** Avant d'installer le produit, consultez le chapitre sur la sécurité.



**AVERTISSEMENT:** Pour éviter tout démarrage accidentel lors du montage, tournez la clé de sécurité sur 0, retirez la batterie et attendez au moins 5 secondes.

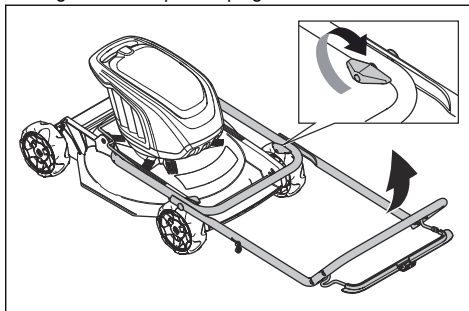
### Pour monter la poignée



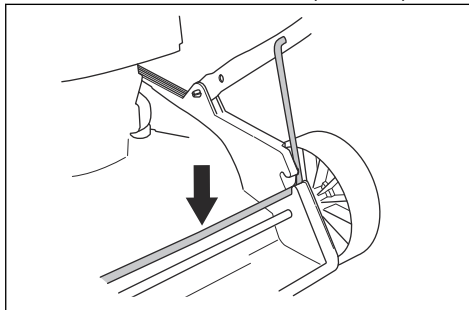
**REMARQUE:** N'entortillez pas les câbles.

1. Alignez les trous de la poignée supérieure sur ceux de la poignée inférieure.

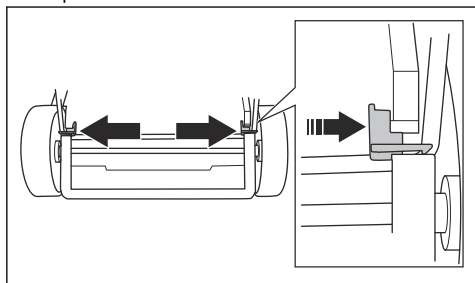
2. Serrez complètement les boutons sur les côtés droit et gauche et déployez la poignée vers le haut.



3. Placez l'étau dans la rainure du capot de coupe.



4. Fixez les 2 bloqueurs qui maintiennent l'étais et le guidon. Poussez-les complètement pour les mettre en place.



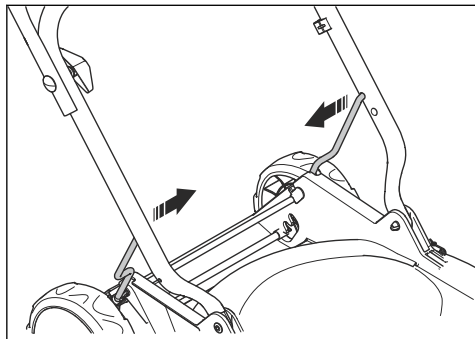
**Remarque:** Il y a 2 bloqueurs, l'un est identifié par la lettre H et l'autre par la lettre V. Placez le bloqueur avec la lettre H du côté droit et le bloqueur avec la lettre V du côté gauche.



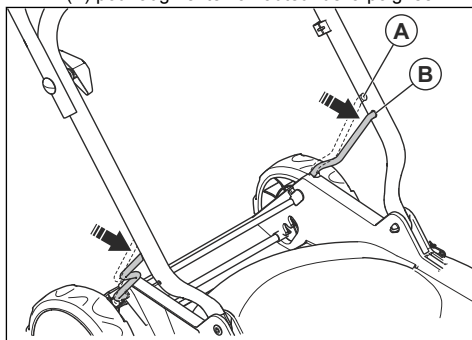
**REMARQUE:** N'utilisez pas ce produit si les 2 bloqueurs ne sont pas fixés.

## Pour régler la hauteur de la poignée

1. Déposez la barre de poignée de la poignée inférieure.



- a) Placez la barre de poignée dans le trou supérieur (A) pour diminuer la hauteur de la poignée.  
b) Placez la barre de poignée dans le trou inférieur (B) pour augmenter la hauteur de la poignée.



## Utilisation

### Introduction



**AVERTISSEMENT:** Avant d'utiliser le produit, vous devez lire et comprendre le chapitre sur la sécurité.

### Husqvarna Connect

Husqvarna Connect est une application gratuite pour votre appareil mobile. L'application Husqvarna Connect offre des fonctions étendues à votre produit Husqvarna :

- Informations produit détaillées.
- Informations et aide sur les pièces et l'entretien du produit.

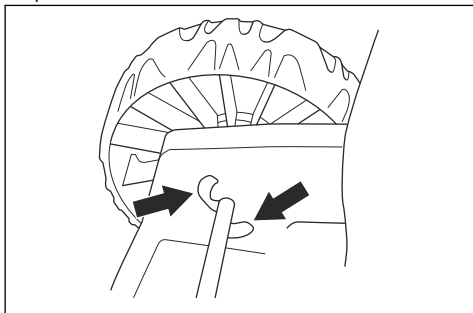
### Pour commencer à utiliser Husqvarna Connect

1. Téléchargez l'application Husqvarna Connect sur votre appareil mobile.
2. Enregistrez-vous sur l'application Husqvarna Connect.

3. Suivez les instructions de l'application Husqvarna Connect pour vous connecter et enregistrer le produit.

## Pour régler la hauteur de coupe

- Retirez la tige et placez-la dans la bonne position pour chacune des 4 roues.



**REMARQUE:** La hauteur de coupe ne doit pas être réglée trop bas. Les lames peuvent toucher le sol si la surface de la pelouse n'est pas plane.

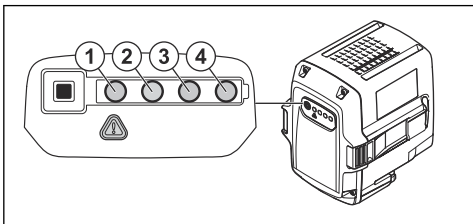
## Batterie



**AVERTISSEMENT:** Avant d'utiliser la batterie, vous devez lire et comprendre le chapitre sur la sécurité. Vous devez également lire et comprendre le manuel d'utilisation de la batterie et du chargeur de batterie.

## État de la batterie

L'écran indique la capacité restante de la batterie ainsi que tout problème éventuel lié à la batterie. La capacité de la batterie s'affiche pendant 5 secondes après l'arrêt du produit ou l'enfoncement du bouton d'indicateur de batterie. Le symbole d'avertissement sur la batterie s'allume en cas d'erreur. Consultez la section *Batterie* à la page 219.



Voyants DEL	État de la batterie
Toutes les DEL sont allumées	Batterie complètement chargée (75-100 %)

Voyants DEL	État de la batterie
Les DEL 1, DEL 2 et DEL 3 sont allumées	La batterie est chargée à 50 %-75 %
Les DEL 1 et DEL 2 sont allumées	La batterie est chargée à 25 %-50 %
La DEL 1 est allumée	La batterie est chargée à 0 %-25 %.
La DEL 1 clignote	La batterie est vide. Rechargez la batterie.

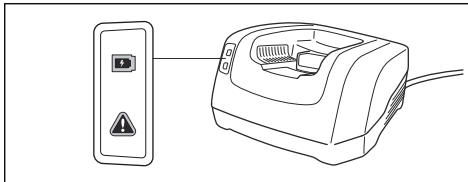
## Pour charger la batterie

Chargez la batterie avant la première utilisation. La batterie n'est chargée qu'à 30 % au moment de sa livraison au client.

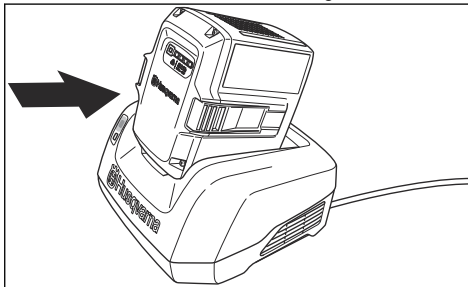
**Remarque:** Le chargeur de batterie doit être raccordé à la tension et à la fréquence indiquées sur la plaque signalétique.

La batterie ne se charge pas si la température de la batterie est supérieure à 50 °C. Le chargeur de batterie diminue la température de la batterie avant le début de la charge.

1. Branchez une extrémité du cordon d'alimentation du chargeur de batterie dans la prise du chargeur de batterie.
2. Branchez l'autre extrémité du cordon d'alimentation du chargeur de batterie dans une prise secteur mise à la masse. La DEL sur le chargeur de batterie clignote une fois en vert.



3. Placez la batterie dans le chargeur de batterie. Le témoin vert du chargeur s'allume lorsque la batterie est correctement branchée au chargeur de batterie.



- La batterie est totalement rechargée quand toutes les DEL sur la batterie sont allumées. Chargez la batterie pendant 24 heures au maximum.
- Pour débrancher le chargeur de batterie de la prise secteur, tirez sur la fiche et non sur le cordon d'alimentation.
- Dégagez la batterie du chargeur de batterie.

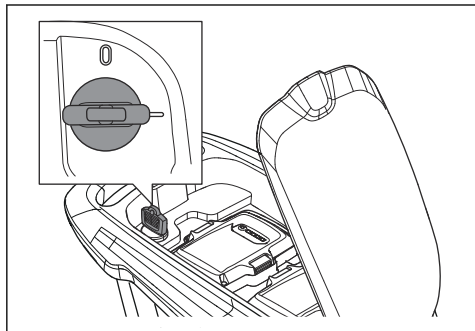
### Niveau de charge de la batterie

Une batterie au lithium-ion Husqvarna peut être chargée ou utilisée à tous les niveaux de charge. Vous n'endommagerez pas la batterie. Une batterie pleine ne perdra pas sa charge même si elle est laissée dans le chargeur.

Affichage à DEL	État de charge
La DEL 1 clignote	0 %-25 %
La DEL 1 est allumée, la DEL 2 clignote	25 %-50 %
Les DEL 1 et 2 sont allumées, la DEL 3 clignote	50 %-75 %
Les DEL 1, 2 et 3 sont allumées, la DEL 4 clignote	75 %-100 %
Les DEL 1, 2, 3 et 4 sont allumées	Batterie complètement chargée

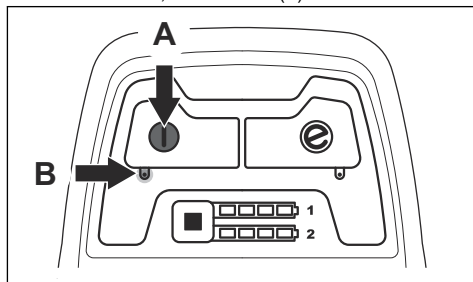
### Pour démarrer le produit

- Placez une batterie chargée dans le compartiment de batterie numéro 1, sous le couvercle de la batterie. Pour une durée de fonctionnement accrue, placez une deuxième batterie chargée dans le compartiment de batterie numéro 2.
- Tournez la clé de sécurité sur 1.

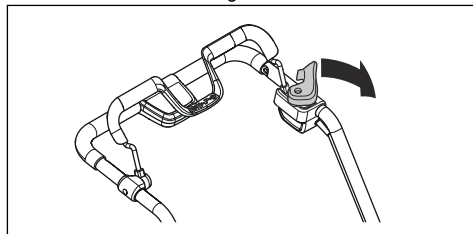


- Restez derrière le produit.

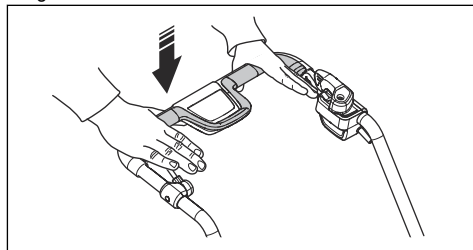
- Appuyez sur le bouton ON/OFF (A) sur le panneau de commande ; la DEL verte (B) s'allume.



- Relâchez l'antidémarrage.



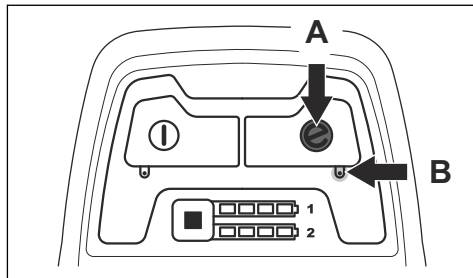
- Poussez la poignée de frein moteur en direction du guidon.



### Pour utiliser la fonction SavE

Le produit est équipé d'une fonction d'économie de la batterie (SavE) qui garantit une durée de fonctionnement prolongée.

- Appuyez sur le bouton SavE (A) pour lancer la fonction. La DEL verte s'allume.



- Appuyez à nouveau sur le bouton SavE pour arrêter la fonction. La DEL verte (B) s'éteint.

La fonction SavE se coupe automatiquement lorsque les conditions de terrain nécessitent une puissance plus élevée. La fonction SavE se lance automatiquement lorsque les conditions de terrain le permettent.

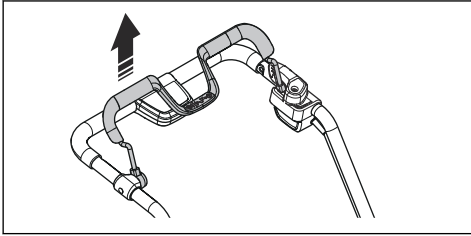
## Fonction charge élevée

Lorsque le produit coupe de l'herbe haute ou humide, le régime moteur augmente automatiquement. Le moteur repasse en mode standard lorsqu'une charge élevée n'est plus requise.

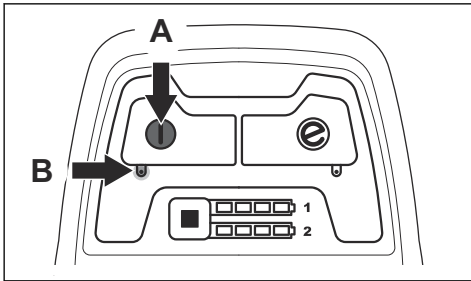
## Pour arrêter le produit

Le produit s'arrête automatiquement s'il ne fonctionne pas pendant 10 minutes. Mettez toujours la clé de sécurité sur 0 avant de quitter le produit des yeux.

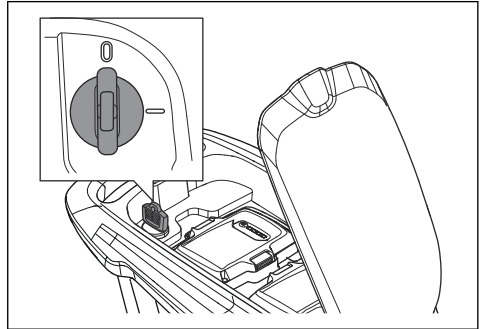
- Relâchez la poignée de frein moteur pour arrêter le moteur.



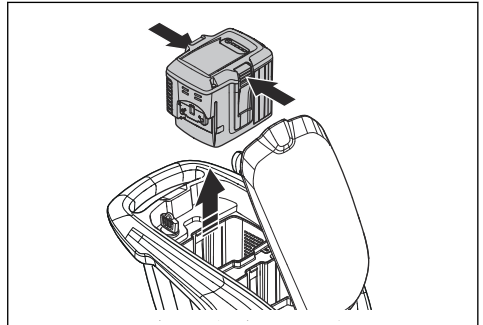
- Appuyez sur le bouton ON/OFF (A) sur le panneau de commande ; la DEL verte (B) s'éteint.



- Ouvrez le couvercle de batterie et tournez la clé de sécurité sur 0.



- Pour retirer la batterie, appuyez sur les deux cliquets de déverrouillage et sortez la batterie.



- Chargez la batterie si son niveau est faible. Pour plus d'informations, consultez la section *Pour charger la batterie* à la page 214.

## Pour obtenir de bons résultats

- Utilisez toujours une lame correctement affûtée. Une lame émoussée produit un résultat irrégulier et l'herbe jaunira à la surface de la coupe. De plus, une lame affûtée consomme moins d'énergie qu'une lame émoussée.
- Ne coupez pas plus d'un tiers de la longueur de l'herbe. Coupez d'abord avec une hauteur de coupe élevée. Examinez le résultat et abaissez la hauteur de coupe à un niveau convenable. Si l'herbe est très longue, tondez lentement, et deux fois si nécessaire.
- Tondez toujours dans différentes directions afin d'éviter de faire des lignes dans la pelouse.
- Assurez-vous que le carter de coupe reste propre. L'accumulation d'herbe et de saleté sur la face intérieure du carter de coupe peut réduire la qualité du résultat de coupe. Reportez-vous à la section *Pour nettoyer le produit* à la page 217.



# Entretien

## Introduction



**AVERTISSEMENT:** Avant d'effectuer des travaux d'entretien, vous devez lire et comprendre le chapitre sur la sécurité.

Une formation spécifique est nécessaire pour effectuer tous les travaux d'entretien et de réparation du produit. Nous garantissons qu'il vous est possible d'obtenir des services de réparation et d'entretien effectués par des

professionnels. Si votre concessionnaire n'est pas un atelier spécialisé, demandez-lui des informations à propos de l'atelier spécialisé le plus proche.

## Calendrier de maintenance

Les intervalles d'entretien sont calculés selon une utilisation quotidienne du produit. Les intervalles sont différents si le produit n'est pas utilisé tous les jours.

Pour les travaux d'entretien suivis d'un astérisque (\*), consultez les instructions dans la section *Dispositifs de sécurité sur le produit à la page 208*.

	Toutes utilisations	Une fois par mois	À chaque saison
Faites une inspection générale	X		
Nettoyez le produit	X		
Contrôlez l'antidémarrage *	X		
Assurez-vous que les dispositifs de sécurité sur le produit ne sont pas défectueux *	X		
Inspectez l'équipement de coupe	X		
Inspectez le capot de coupe *	X		
Contrôlez la poignée du frein moteur *	X		
Assurez-vous que le bouton ON/OFF fonctionne correctement et n'est pas défectueux	X		
Examinez la batterie afin de détecter d'éventuels dommages	X		
Contrôlez le niveau de charge de la batterie	X		
Vérifiez que les cliquets de déverrouillage de la batterie fonctionnent correctement et fixent la batterie dans le produit	X		
Examinez le chargeur de batterie afin de détecter d'éventuels dommages et assurez-vous qu'il fonctionne correctement.		X	
Examinez les connexions entre la batterie et le produit. Examinez également la connexion entre la batterie et le chargeur de batterie.			X

## Pour faire une inspection générale

- Assurez-vous que les vis et les écrous du produit sont serrés.
- Assurez-vous que les câbles sur le produit ne sont pas dans une position où ils risquent d'être endommagés.

## Pour nettoyer le produit

- Nettoyez les éléments en plastique avec un chiffon sec et propre.

- N'utilisez pas d'eau pour nettoyer le produit. L'eau pourrait pénétrer dans la batterie ou le moteur et provoquer un court-circuit ou endommager le produit.
- N'utilisez pas de nettoyeur haute pression pour le nettoyage du produit.
- Ne jetez pas d'eau directement sur le moteur.
- Utilisez une brosse pour enlever les feuilles, l'herbe et la saleté.

## Pour nettoyer la batterie et le chargeur de batterie



**AVERTISSEMENT:** Ne nettoyez pas la batterie ou le chargeur de batterie avec de l'eau.

- Assurez-vous que la batterie et le chargeur de batterie sont propres et secs avant de placer la batterie dans le chargeur de batterie.
- Nettoyez les bornes de la batterie avec de l'air comprimé ou un chiffon sec et doux.
- Nettoyez les surfaces de la batterie et du chargeur de batterie avec un chiffon sec et doux.

## Pour inspecter l'équipement de coupe



**AVERTISSEMENT:** Pour éviter tout démarrage accidentel, tournez la clé de sécurité sur 0, retirez la batterie et attendez au moins 5 secondes.



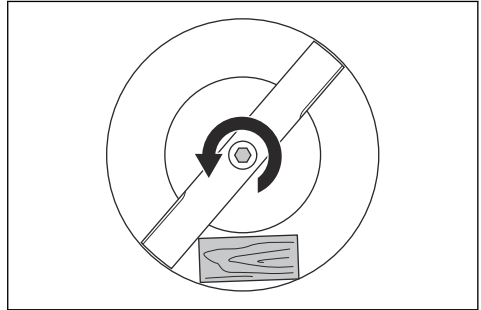
**AVERTISSEMENT:** Utilisez des gants de protection lorsque vous procédez à l'entretien de l'équipement de coupe. La lame est très tranchante et des coupures peuvent survenir facilement.

1. Inspectez l'équipement de coupe afin de détecter d'éventuels dommages ou fissures. Remplacez toujours un équipement de coupe endommagé.
2. Inspectez la lame pour voir si elle est endommagée ou émoussée.

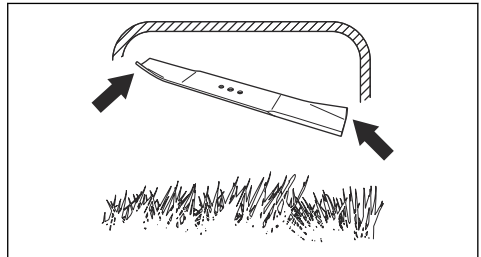
**Remarque:** Il est nécessaire d'équilibrer la lame après l'avoir affûtée. Demandez à un centre d'entretien d'affûter, de remplacer et d'équilibrer la lame. Si vous heurtez un obstacle qui entraîne l'arrêt du produit, remplacez la lame endommagée. Demandez au centre d'entretien d'évaluer si la lame peut être affûtée ou si elle doit être remplacée.

## Pour remplacer la lame

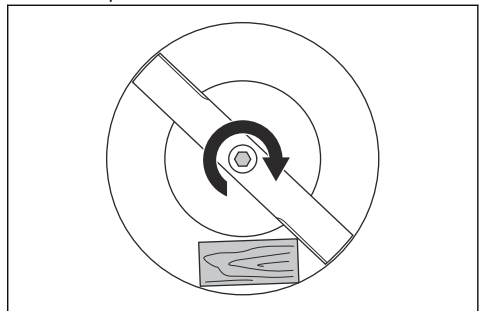
1. Bloquez la lame avec un bloc en bois.



2. Retirez le boulon de lame.
3. Retirez la lame.
4. Examinez le support de lame et le boulon de lame pour voir s'ils sont endommagés.
5. Examinez l'arbre du moteur pour vous assurer qu'il n'est pas tordu.
6. Lorsque vous fixez la nouvelle lame, orientez le tranchant en direction du capot de coupe.



7. Assurez-vous que la lame est alignée par rapport au centre de l'arbre du moteur.
8. Bloquez la lame avec un bloc en bois. Fixez la rondelle ressort, puis serrez le boulon et la rondelle à un couple de 23–28 Nm.



9. Déplacez la lame à la main et vérifiez qu'elle tourne librement.



**AVERTISSEMENT:** Utilisez des gants de travail épais. La lame est très

tranchante et des coupures peuvent survenir facilement.

10. Démarrez le produit pour tester la lame. Si la lame n'est pas correctement fixée, le produit vibre ou le résultat de coupe n'est pas satisfaisant.

## Dépannage

### Batterie

DEL sur la batterie	Cause	Solution
La DEL d'erreur clignote	La tension de la batterie est faible.	Rechargez la batterie. Reportez-vous à la section <i>Pour charger la batterie à la page 214.</i>
La LED d'erreur clignote.	La batterie est faible.	Rechargez la batterie. Reportez-vous à la section <i>Pour charger la batterie à la page 214.</i>
	La température de l'environnement de travail est trop élevée ou trop basse.	Utilisez la batterie à une température comprise entre -10 °C et 40 °C.
	Surtension.	Assurez-vous que la tension secteur est identique à celle indiquée sur la plaque signalétique du produit. Dégagez la batterie du chargeur de batterie. Attendez 5 secondes et essayez à nouveau de charger la batterie. Si le problème persiste, contactez un atelier spécialisé agréé.
La DEL d'erreur est allumée	L'écart de tension entre les cellules est trop important (1 V).	Contactez un agent d'entretien agréé.

### Chargeur de batterie

DEL sur le chargeur de batterie	Cause	Solution
La LED d'erreur clignote.	La température de l'environnement de travail est trop élevée ou trop basse.	Utilisez le chargeur de batterie à une température comprise entre 5 °C et 40 °C.
La DEL d'erreur est allumée		Contactez un agent d'entretien agréé.

### Panneau de commande

En cas de problème non traité dans cette section, contactez votre agent d'entretien.

Clavier	Code d'erreur (nombre de clignotements)	Défaillances possibles	Action possible
La DEL d'erreur clignote	3	Le moteur est en surcharge	Augmentez la hauteur de coupe. Consultez la section <i>Pour régler la hauteur de coupe à la page 214.</i>
	5	La vitesse du moteur chute trop et le moteur s'arrête	
	10	La commande du moteur est trop chaude	Arrêtez le moteur et attendez qu'il refroidisse
	2	La lame est bloquée	Pour éviter tout démarrage accidentel, tournez la clé de sécurité sur 0, retirez la batterie et attendez au moins 5 secondes. Assurez-vous que la lame tourne librement. Si le problème persiste, contactez un agent d'entretien agréé
	9	Erreur de batterie ou pas de signal de batterie	Placez la batterie dans le produit correctement et examinez le connecteur de batterie. Si la DEL d'erreur sur la batterie clignote, reportez-vous à <i>Batterie à la page 214.</i>
Le produit s'arrête	8	La batterie est faible	Rechargez la batterie. Consultez la section <i>Pour charger la batterie à la page 214.</i>
	0	Défaillance du connecteur de batterie	Examinez le connecteur de batterie

## Transport, entreposage et mise au rebut

### Introduction



**AVERTISSEMENT:** Pour éviter tout démarrage accidentel lors du transport, tournez la clé de sécurité sur 0, retirez la batterie et attendez au moins 5 secondes.

### Transport

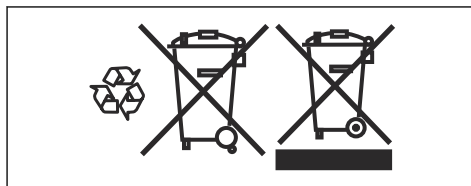
- La législation sur les marchandises dangereuses s'applique aux batteries au lithium-ion fournies.
- Les exigences spécifiques au transport commercial indiquées sur l'emballage et les étiquettes doivent être respectées.
- Assurez-vous de toujours respecter la législation sur les matières dangereuses lorsque vous préparez le produit pour le transport. Des réglementations locales peuvent s'appliquer.
- Retirez toujours la batterie lorsque vous déplacez le produit.
- Posez du ruban adhésif sur les connecteurs de batterie et assurez-vous que la batterie ne puisse pas bouger pendant le transport.
- Sécurisez le produit pendant le transport.

### Remisage

- Retirez toujours la batterie lorsque vous entreposez le produit.
- Pour éviter tout accident, assurez-vous que la batterie n'est pas reliée au produit au moment du remisage.
- Conservez le chargeur de batterie dans un endroit sec et fermé.
- Conservez la batterie et le chargeur de batterie dans un endroit sec, à l'abri de l'humidité et du gel.
- Débranchez la batterie du chargeur lors du remisage.
- Ne conservez pas la batterie dans un endroit présentant un risque d'électricité statique. Ne conservez pas la batterie dans une boîte métallique.
- Entreposez la batterie dans un endroit où la température est comprise entre 5 °C et 25 °C, à l'abri du soleil.
- Entreposez le chargeur de batterie dans un endroit où la température est comprise entre 5 °C et 45°C, à l'abri du soleil.

- Assurez-vous que la batterie est chargée entre 30 % et 50 % avant de la remettre pendant de longues périodes.
- Conservez le produit, la batterie et le chargeur de batterie dans un endroit verrouillé, hors de portée des enfants et des personnes non autorisées.
- Nettoyez le produit et effectuez un entretien complet avant de remettre le produit pendant de longues périodes.

l'environnement et les personnes, qui autrement pourrait être engendré par la mauvaise gestion de la mise au rebut du produit. Pour obtenir de plus amples informations sur le recyclage de ce produit, contactez votre municipalité, votre service des ordures ménagères ou le magasin où vous avez acheté ce produit.



## Mise au rebut

Les symboles figurant sur le produit ou l'emballage indiquent que ce produit ne peut pas être traité comme un déchet domestique ordinaire. Il doit être déposé dans un site de recyclage prévu pour la récupération d'équipements électriques et électroniques.

En prenant soin correctement de ce produit, vous contribuez à compenser l'éventuel effet négatif sur

## Caractéristiques techniques

	LB 146i
<b>Moteur de coupe</b>	
Type de moteur	BLDC (sans balais) 36 V
Vitesse du moteur - SavE, tr/min	2 600
Vitesse du moteur - nominale, tr/min	3 000
Vitesse du moteur - charge élevée, tr/min	3500
Sortie du moteur - max. kW	1,05
Sortie moteur - nominale, kW	0,9
Limite de surintensité (limite de courant : 900W-27A)	27 (+/-) 1A
<b>Poids</b>	
Poids sans batterie, kg	16,9
<b>Batterie</b> <sup>37</sup>	
Type de batterie	Gamme de produits à batterieHusqvarna
<b>Durée de fonctionnement de la batterie</b>	
Autonomie de la batterie, min, (fonctionnement libre) avec fonction SavE activée et une batterie Husqvarna de 5,2 Ah (BLi200).	77
Autonomie de la batterie, min, (fonctionnement libre) avec mode standard activé et une batterie Husqvarna de 5,2 Ah (BLi200).	45
<b>Émissions sonores</b> <sup>38</sup>	

<sup>37</sup> Pour obtenir un fonctionnement et des résultats optimaux, la batterie BLi200 Husqvarna est recommandée.

<sup>38</sup> Émissions sonores dans l'environnement mesurées comme puissance sonore ( $L_{WA}$ ) selon la directive européenne 2000/14/CE.

	<b>LB 146i</b>
Niveau de puissance sonore, mesuré dB(A)	90
Niveau de puissance acoustique, garanti L <sub>WA</sub> dB(A)	91
<b>Niveaux sonores</b> <sup>39</sup>	
Niveau de pression sonore à l'oreille de l'utilisateur, dB(A)	79
<b>Niveaux de vibrations</b> <sup>40</sup>	
Poignée, m/s <sup>2</sup>	0,9
<b>Équipement de coupe</b>	
Hauteur de coupe, en mm	35-70 mm
Largeur de coupe, cm	46
Lame	BioClip
Référence article	5947022-10

Batteries agréées	Type	Capacité de la batterie, Ah	Tension, V	Poids, lb/kg
BLi20	Lithium-ion	4,0	36	2,6/1,2
BLi200	Lithium-ion	5,2	36	2,8/1,3
BLi300	Lithium-ion	9,4	36	1,9/4,2

Chargeurs agréés pour les batteries spécifiées, BLI	Tension d'entrée, V	Fréquence, Hz	Puissance, W
QC80	100-240	50-60	100
QC80F	10-15	N/A	95
QC330	100-240	50-60	330
QC500	100-240	50-60	500
40-C80	100-240	50-60	68,8

<sup>39</sup> Les données reportées pour le niveau de pression sonore montrent une dispersion statistique typique (dévi-  
ation standard) de 1,2 dB(A).

<sup>40</sup> Les données reportées pour le niveau de vibrations montrent une dispersion statistique typique (dévi-  
ation standard) de 0,2 m/s<sup>2</sup>. Norme sur les vibrations EN 60335-2-77:2017 chapitre 20.105

---

# Déclaration de conformité CE

---

## Déclaration de conformité CE

Nous, **Husqvarna AB**, SE-561 82 Huskvarna, Suède, tél. : +46-36-146500, déclarons que la **tondeuse Husqvarna LB 146i** à partir de l'année 2021 et au-delà est conforme aux dispositions des DIRECTIVES DU CONSEIL :

- du 8 juin 2011 « relative à la limitation de l'utilisation de certaines substances dangereuses » **2011/65/UE**
- du 17 mai 2006 « relative aux machines » **2006/42/CE**
- du 26 février 2014 « relative à la compatibilité électromagnétique » **2014/30/UE**
- du 8 mai 2000 « relative aux émissions sonores dans l'environnement » **2000/14/CE**

Pour toute information relative aux émissions sonores, veuillez consulter les caractéristiques techniques.

Les normes suivantes ont été appliquées :

**EN 60335-1:2012+A11:2014+A13:2017, EN 60335-2-77:2010, EN 62233:2008, EN 55014-1:2017+A11:2020, EN 55014-2:2015, EN IEC 63000:2018**

Sauf mention contraire, les normes listées ci-dessus sont les dernières versions publiées.

L'organisme notifié : **0404, RISE SMP Svensk Maskinprovning AB, Box 7035, SE-750 07 Uppsala** a effectué une évaluation de conformité conformément à l'annexe VI de la directive 2000/14/CE.

Huskvarna, 2021-10-30



Claes Losdal, Directeur du développement/Articles de jardinage (Représentant autorisé d'Husqvarna AB et responsable de la documentation technique)

## Sadržaj

Uvod.....	224	Rješavanje problema.....	240
Sigurnost.....	226	Prijevoz, spremanje i zbrinjavanje.....	241
Sastavljanje.....	234	Tehnički podaci.....	242
Rad.....	235	Izjava o sukladnosti EC.....	244
Održavanje.....	238		

## Uvod

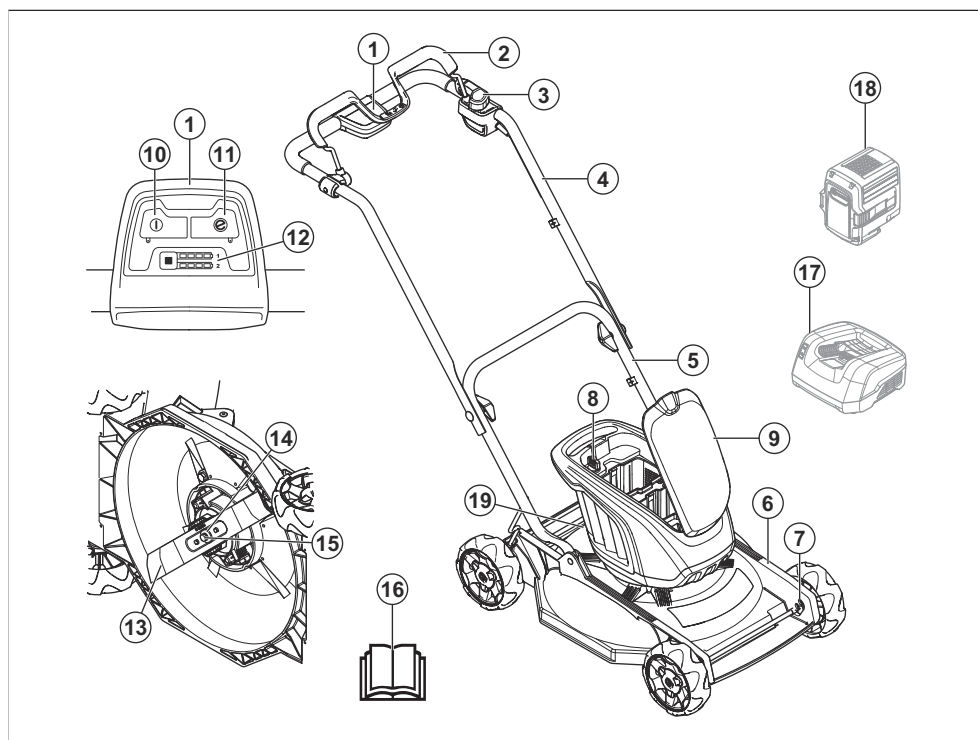
### Opis proizvoda

Proizvod je ručna rotacijska kosilica za travu koja upotrebljava funkciju BioClip za rezanje trave u gnojivo.

### Namjena

Proizvod upotrebljavajte za rezanje trave. Proizvod nemojte upotrebljavati za druge zadatke.

### Pregled proizvoda



1. Upravljačka ploča
2. Ručica kočnice motora
3. Blokada pokretanja
4. Gornja ručka
5. Donja ručka
6. Pokrov noža
7. Kontrola visine rezanja

8. Sigurnosni ključ
9. Poklopac baterije
10. Gumb za UKLJUČIVANJE / ISKLJUČIVANJE
11. Gumb savE
12. Indikator punjenja baterije i gumb za bateriju
13. Nož
14. Opružna brtva



15. Vijak noža
16. Korisnički priručnik
17. Punjač baterije (dodatna oprema)
18. Baterija (dodatna oprema)
19. Nazivna pločica s QR kodom

## Simboli na proizvodu



Upozorenje: Neoprezna ili nepravilna upotreba može uzrokovati ozljede ili smrt rukovatelja ili drugih osoba.



Pažljivo pročitajte korisnički priručnik i prije upotrebe dobro usvojite sadržaj.



Osobe i životinje držite na sigurnoj udaljenosti od radnog područja.



Pazite na izbačene predmete i odbijanja.



Upozorenje: Ruke i stopala držite podalje od rotirajućeg noža.



Upozorenje: Šake i stopala držite podalje od rotirajućih dijelova.



Prije izvođenja popravaka ili održavanja skinite sigurnosni ključ.



Nemojte izlagati kiši



Proizvod ni njegova ambalaža ne spadaju u kućanski otpad.

Reciklirajte ga u reciklažnoj stanici za električnu i elektroničku opremu.



Proizvod ispunjava mjerodavne direktive EC.



Proizvod ispunjava mjerodavne direktive Euroazijske carinske unije.



Ovaj je proizvod sukladan s primjenjivim direktivama UkrSEPRO-a.



Proizvod ispunjava mjerodavne direktive RCM. Odnosi se samo na AU / NZ



Stvaranje buke u okoliš u skladu s EZ direktivom. Emisije proizvoda navedene su u poglavlju s tehničkim podacima i na naljepnici.



IPX1 – zaštita od kapanja



Postupak pokretanja: pritisnite gumb za uključivanje/isključivanje, otpustite blokadu pokretanja, pritisnite ručicu kočnice motora.



Za zaustavljanje otpustite ručicu kočnice motora.

**Napomena:** Drugi simboli/naljepnice na proizvodu odnose se na zahtjeve za certifikaciju na pojedinim tržištima.

### Naljepnice na proizvodu



## Sigurnost

### Sigurnosne definicije

Upozorenjima, oprezima i napomenama naglašavaju se posebno važni dijelovi priručnika.

OPASNOST – ruke i stopala držite podalje.

### Pouzdanost proizvoda

Sukladno zakonima o pouzdanosti proizvoda nismo odgovorni za oštećenja uzrokovana našim proizvodima ako je:

- proizvod nepravilno popravljen
- proizvod popravljen dijelovima koje nije proizveo proizvođač ili nemaju odobrenje proizvođača
- proizvod ima dodatnu opremu koje nije proizveo proizvođač ili nemaju odobrenje proizvođača
- proizvod nije popravljen u odobrenom servisnom centru ili kod ovlaštene osobe.



**UPOZORENJE:** Koristi se kada nepoštivanje uputa iz priručnika može uzrokovati smrt ili ozljede rukovatelja ili promatrača.



**OPREZ:** Koristi se kada nepoštivanje uputa iz priručnika može uzrokovati oštećenje proizvoda ili drugih materijala u neposrednoj blizini.

---

**Napomena:** Koristi se prikaz neophodnih dodatnih informacija za zadanu situaciju.

---

### Opće sigurnosne upute

---



**UPOZORENJE:** Prije korištenja proizvoda pročitajte upozoravajuće upute u nastavku.

---

- Proizvod je opasan ako ga koristite nepravilno ili ako niste oprezni. Nepoštivanje sigurnosnih uputa može uzrokovati ozljede ili smrt.
- Proizvod tijekom rada proizvodi elektromagnetsko polje. To polje u određenim okolnostima može ometati aktivne ili pasivne medicinske implantate. Za smanjenje opasnosti od smrtonosne ozljede osobama s medicinskim implantatima prije korištenja uređaja preporučujemo obraćanje liječniku i proizvođaču medicinskog implantata.
- Uvijek budite pažljivi i razumni. Ako u posebnim situacijama niste sigurni u način upotrebe stroja, prije nastavka stanite i obratite se svom distributeru tvrtke Husqvarna.
- Imajte na umu kako se rukovatelj smatra odgovornim za nezgode koje uključuju druge osobe ili njihovo vlasništvo.
- Proizvod održavajte čistim. Znakovi i naljepnice moraju biti jasno čitljivi.
- Djeci ili osobama koje nisu upoznate s ovim uputama ne dopuštajte da upotrebljavaju uređaj. Lokalni propisi mogu ograničavati starosnu dob operatora
- Osobu smanjenih fizičkih ili mentalnih sposobnosti obavezno nadzirite tijekom uporabe proizvoda. Cijelo vrijeme mora biti prisutna odgovorna odrasla osoba.
- Proizvod nemojte koristiti kada ste umorni, bolesni ili pod utjecajem alkohola, droge ili lijekova. To negativno utječe na vaš vid, pažnju, koordinaciju i prosudbu.
- Nemojte upotrebljavati neispravni proizvod.

- Nemojte izmjenjivati proizvod ili ga upotrebljavati ako postoji mogućnost da je izmijenjen.

## Sigurnost na radnom mjestu

---



**UPOZORENJE:** Prije korištenja proizvoda pročitajte upozoravajuće upute u nastavku.

---

- Prije upotrebe proizvoda iz radnog područja uklonite sve predmete poput grana, prutova i kamenja.
- Objekti koji udare u rezu opremu mogu biti izbačeni te uzrokovati ozljede ili oštećenja. Promatrače i životinje držite na sigurnoj udaljenosti od proizvoda.
- Proizvod nikada nemojte upotrebljavati u lošim vremenskim uvjetima kao što su magla, kiša, jak vjetar, intenzivna hladnoća i pri opasnosti od grmljavinskog nevremena. Upotreba proizvoda po lošem vremenu ili na vlažnim odnosno mokrim lokacijama zamorna je. Pri lošem vremenu mogu nastati opasni uvjeti, primjerice skliske površine.
- Pazite na osobe, predmete i situacije koje mogu

onemogućiti siguran rad proizvoda.

- Pazite na prepreke kao što su korijenje, kamenje, prutovi, jame i jarci. Visoka trava može sakrivati prepreke.
- Košenje trave na nagibima može biti opasno. Nemojte kositi ekstremno strme padine. Proizvod nemojte upotrebljavati na tlu s nagibom većim od 15°.
- Prilikom promjene smjera kretanja na padinama budite izuzetno oprezni. Proizvod upotrebljavajte poprečno preko nagiba. Nemojte se kretati prema gore i dolje.
- Oprezno prilazite skrivenim kutovima i predmetima koji onemogućavaju jasan pregled.

## Sigurnost pri radu

---



**UPOZORENJE:** Prije upotrebe proizvoda pročitajte upozoravajuće upute u nastavku.

---

- Proizvod upotrebljavajte samo za košenje travnjaka. Upotreba za druge zadatke nije dopuštena.
- Upotrebljavajte osobnu zaštitnu opremu. Pogledajte *Oprema za osobnu zaštitu na stranici 230.*

- Provjerite znate li brzo zaustaviti motor u slučaju nužde.
  - Proizvod nemojte pogoniti na kiši ili u mokrim uvjetima. Ako voda proдре u proizvod, povećava se opasnost od električnog udara.
  - Proizvod upotrebljavajte samo ako su nož i svi štitnici pravilno postavljeni. Nepravilno postavljen nož može se otpustiti i uzrokovati osobne ozljede.
  - Pazite da nožem ne udarate u predmete poput kamenja ili korijenja. Time možete oštetiti nož i saviti vratilo motora. Savijena osovina uzrokuje snažne vibracije i vrlo visoku opasnost od otpuštanja noža.
  - Ako nožem udarite u predmet ili osjetite vibracije, odmah zaustavite proizvod. Zaustavite motor, okrenite sigurnosni ključ na 0 i uklonite bateriju. Pregledajte je li proizvod oštećen. Popravite oštećenja ili popravak prepustite ovlaštenom serviseru.
  - Ručicu kočnice motora nikada trajno nemojte pričvrstiti za ručku kada je motor u pogonu.
  - Proizvod postavite na stabilnu, ravnu površinu i pokrenite ga.
- Noževi ne smiju udarati u tlo ili druge predmete.
- Tijekom rukovanja proizvodom obavezno budite iza njega.
  - Tijekom rukovanja proizvodom svi kotači trebaju biti na tlu, a obje ruke na ručki. Ruke i stopala držite podalje od rotirajućih noževa.
  - Proizvod nemojte naginjati kada je motor pokrenut.
  - Budite pažljivi pri povlačenju proizvoda unatrag.
  - Proizvod nikada nemojte podizati kada je motor pokrenut. Ako morate podići proizvod, prvo zaustavite motor, okrenite sigurnosni ključ na 0 i uklonite bateriju.
  - Tijekom rada s proizvodom nemojte hodati unatrag.
  - Zaustavite motor prilikom prelaska preko velikih površina bez trave, primjerice šljunčanih, kamenih i asfaltnih staza.
  - Nemojte trčati s proizvodom kada je motor pokrenut. Obavezno hodajte tijekom rada s proizvodom.
  - Prije promjene visine rezanja zaustavite motor. Nemojte provoditi prilagodbe s pokrenutim motorom.
  - Proizvod s pokrenutim motorom ne ispuštajte iz vida.

Zaustavite motor i provjerite je li rezna oprema zaustavljena.

## Sigurnosne upute za rad

### Oprema za osobnu zaštitu



**UPOZORENJE:** Prije upotrebe proizvoda pročitajte upozoravajuće upute u nastavku.

- Oprema za osobnu zaštitu ne može u potpunosti spriječiti ozljede, no smanjuje stupanj ozljede u slučaju nezgode. Pri odabiru odgovarajuće opreme zatražite pomoć ovlaštenog trgovca.
- Nosite čizme otporne na klizanje ili cipele za teške uvjete rada. Nemojte nositi otvorene cipele ili biti bos.
- Nosite teške, duge hlače.
- Prema potrebi nosite zaštitne rukavice, primjerice prilikom pričvršćivanja, pregleda ili čišćenja rezne opreme.

## Sigurnosne upute za proizvod



**UPOZORENJE:** Prije korištenja proizvoda pročitajte upozoravajuće upute u nastavku.

- Nemojte koristiti proizvod s oštećenim zaštitnim uređajima.
- Redovito pregledavajte sigurnosne uređaje. Ako su sigurnosni uređaji neispravni, obratite se Husqvarna ovlaštenom trgovcu.

## Provjera reznog poklopca

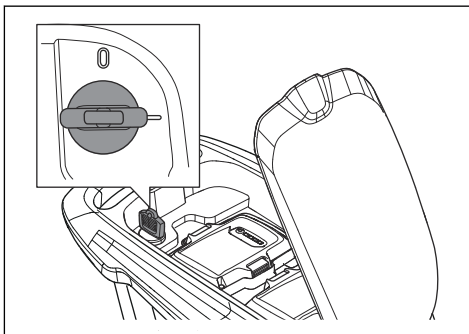
Rezni poklopac smanjuje vibriranje proizvoda te opasnost od ozljede nožem.

- Provjerite ima li na pokrovu noža oštećenja, primjerice napuklina.

## Sigurnosni ključ

Sigurnosni ključ nalazi se ispod poklopca baterije. Sigurnosni ključ priključuje bateriju koja napaja motor.

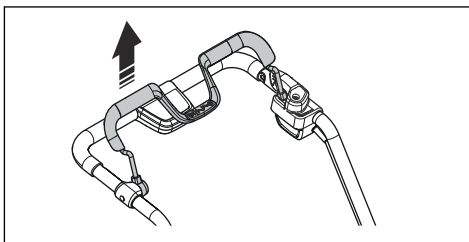
- Pokrenite i zaustavite motor kako biste provjerili sigurnosni ključ.
- Ako sigurnosni ključ ispravno funkcionira, motor se pokreće samo kad je sigurnosni ključ u položaju 1.



## Ručica kočnice motora

Ručicom kočnice motora zaustavljate motor. Motor se zaustavlja po otpuštanju ručice kočnice motora.

Za provjeru ručice kočnice motora pokrenite motor i potom otpustite ručicu kočnice motora. Ako se motor ne zaustavi za 3 sekunde, podesite kočnicu motora kod servisera tvrtke Husqvarna.

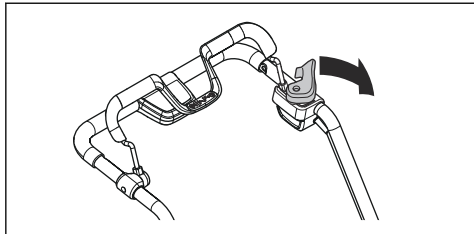


## Pregled blokade pokretanja

Ispitajte blokadu pokretanja kako biste se uvjerali da sprječava pogon motora.

1. Ručicu kočnice motora gurnite prema upravljaču. Blokada pokretanja zaustavlja pomak.

2. Istisnite blokadu pokretanja.



3. Otpustite blokadu pokretanja i provjerite vraća li se u početni položaj.

## Sigurnost baterije



**UPOZORENJE:** Prije upotrebe proizvoda pročitajte upozoravajuće upute u nastavku.

- Upotrebljavajte punjive baterije tvrtke Husqvarna samo za napajanje odgovarajućih proizvoda tvrtke Husqvarna. Bateriju nemojte upotrebljavati za napajanje drugih proizvoda jer postoji opasnost od ozljeda.
- Nemojte koristiti baterije koje nisu punjive.
- Opasnost od strujnog udara. Polove baterije nemojte spajati s ključevima, kovanicama, vijcima ili drugim metalom. Tako može doći do kratkog spoja baterije.
- Nemojte umetati predmete u zračne utore baterije.
- Bateriju zaštitite od sunčeve svjetlosti, vrućine i otvorenog plamena. Baterija može eksplodirati i uzrokovati opekline i/ili kemijske opekline.
- Zaštitite bateriju od kiše i mokrih uvjeta.
- Zaštitite bateriju od mikrovalova i visokog tlaka.
- Bateriju nemojte rastavljati ili razbijati.
- Ako baterija počne propuštati, nemojte dopustiti da vam tekućina dospije na kožu ili u oči. Ako ste dodirnuli tekućinu, očistite to mjesto velikom količinom vode i zatražite medicinsku pomoć.
- Bateriju upotrebljavajte u rasponu temperatura od  $-10^{\circ}\text{C}$  i  $40^{\circ}\text{C}$ .
- Bateriju ili punjač baterije nikada nemojte čistiti vodom. Pogledajte *Za čišćenje baterije i punjača baterija na stranici 239*.
- Nemojte upotrebljavati neispravnu ili oštećenu bateriju.
- Baterije skladištite dalje od metalnih predmeta poput čavala, kovanica i nakita.

## Sigurnost punjača baterije



**UPOZORENJE:** Prije upotrebe proizvoda pročitajte upozoravajuće upute u nastavku.

- Punjače baterija QC upotrebljavajte samo za punjenje zamjenskih baterija tvrtke Husqvarna.
- Opasnost od strujnog udara ili kratkog spoja. Nemojte umetati predmete u zračne utore punjača. Nemojte rastavljati punjač baterije. Priključke baterije nemojte spajati metalnim predmetima. Upotrebljavajte odobrenu mrežnu utičnicu.
- Proizvod tijekom rada proizvodi elektromagnetsko polje. To polje u određenim okolnostima može ometati aktivne ili pasivne medicinske implantate. Za smanjenje opasnosti od uvjeta koji mogu uzrokovati ozljede ili smrt, osobama s medicinskim implantatima prije korištenja ovog uređaja preporučujemo obraćanje liječniku i proizvođaču medicinskog implantata.
- Redovno provjeravajte je li kabel za napajanje punjača baterije neoštećen te je li ispucao.
- Punjač baterije nemojte podizati za električni kabel. Za odspajanje punjača baterije od zidne utičnice izvucite utikač. Nemojte povlačiti kabel za napajanje.
- Kabel za napajanje i produžne kabele držite podalje od vode, ulja i oštih rubova. Kabel nemojte prignječiti vratima, ogradama i sl. To može nariniti napon na punjač.
- Punjač baterije nemojte čistiti vodom.
- Punjač baterije mogu koristiti djeca od 8 godina i starija te osobe s umanjenim fizičkim, osjetilnim ili mentalnim sposobnostima ili nedostatkom iskustva i znanja ako je osiguran njihov nadzor ili ako su upućeni u sigurno korištenje uređaja te razumiju obuhvaćene opasnosti. Djeca se ne smiju igrati punjačem baterije. Čišćenje i održavanje ne smiju provoditi djeca bez nadzora.
- Punjačem baterije nije dopušteno puniti nepunjive baterije.
- Punjač baterije nemojte upotrebljavati u blizini zapaljivih materijala ili materijala koji mogu uzrokovati koroziju. Nemojte pokrivati punjač baterije. Ako dođe do razvoja dima ili požara, odpojte utikač punjača baterije.



- Nemojte upotrebljavati neispravan ili oštećen punjač baterije.
- Bateriju puniti isključivo u dobro prozračenom zatvorenom prostoru bez izravne sunčeve svjetlosti. Bateriju nije dopušteno puniti u vlažnim uvjetima.
- Provodite samo održavanje opisano u ovom korisničkom priručniku. Opsežnije radove obavezno provodi ovlašteni serviser.
- Tijekom rada s reznom opremom nosite rukavice na teške uvjete rada. Nož je vrlo oštar i lako dolazi do posjekotina.

## Sigurnosne upute za održavanje



**UPOZORENJE:** Prije korištenja proizvoda pročitajte upozoravajuće upute u nastavku.

- Kako biste spriječili nenamjerno pokretanje tijekom održavanja, okrenite sigurnosni ključ na 0 i uklonite bateriju. Pričekajte najmanje 5 sekundi prije početka održavanja.
- Pravilno provedite radove održavanja kako biste produljili vijek trajanja proizvoda i smanjili opasnost od nezgoda. Profesionalna održavanja prepustite odobrenom serviseru. Za više informacija obratite se najbližem serviseru.
- Zamijenite oštećene, istrošene ili polomljene dijelove.
- Pridržavajte se uputa za zamjenu dodatne opreme. Upotrebljavajte isključivo dodatnu opremu proizvođača.
- Kada ih ne upotrebljavate, proizvod, bateriju i punjač baterije skladištite odvojeno u zatvorenom, suhom i zaključanom prostoru. Djeci i neovlaštenim osobama onemogućite pristup proizvodu, bateriji i punjaču.

# Sastavljanje

## Uvod



**UPOZORENJE:** Prije sastavljanja proizvoda pročitajte poglavlje o sigurnosti.



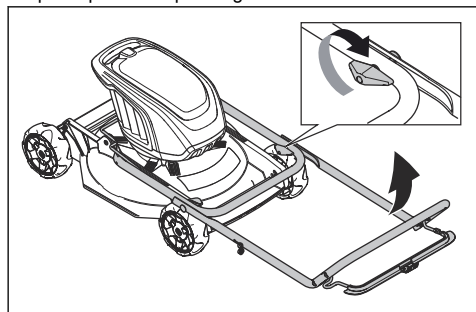
**UPOZORENJE:** Kako biste spriječili nenamjerno pokretanje pri sastavljanju okrenite sigurnosni ključ na 0, uklonite bateriju i pričekajte najmanje 5 sekundi.

## Sastavljanje ručke

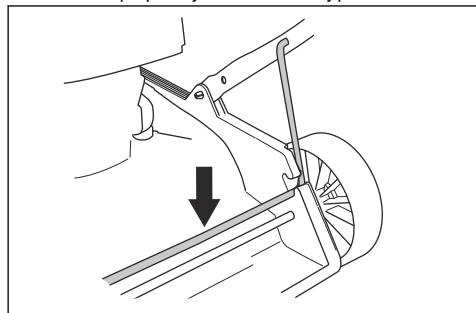


**OPREZ:** Nemojte savijati kabele.

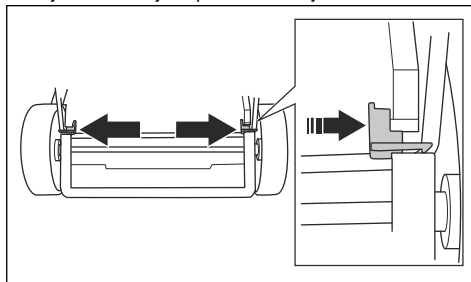
1. Otvore na gornjoj ručki poravnajte s otvorima na donjoj ručki.
2. Do kraja zategnite vijke s desne i lijeve strane i preklopite ručku prema gore.



3. Postavite potporanj u utor na reznoj ploči.



4. Pričvrstite 2 blokade koje drže potporanj i ručku na mjestu. Do kraja ih pritisnite na mjesto.



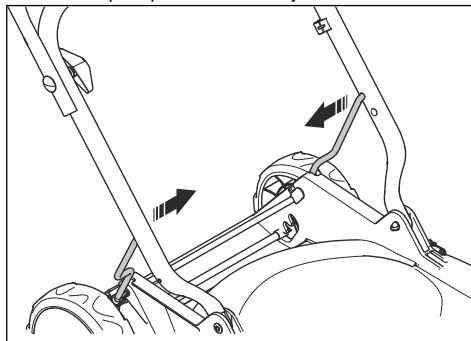
**Napomena:** Postoje 2 blokade, jedna je označena slovom H, a druga slovom V. Blokadu označenu slovom H stavite na desnu stranu, a blokadu označenu slovom V na lijevu stranu.



**OPREZ:** Ne radite proizvodom ako niste postavili 2 blokade.

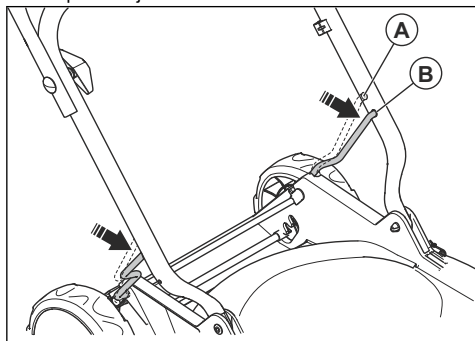
## Prilagođavanje visine ručke

1. Uklonite podupirač ručke s donje ručke.



- a) Postavite podupirač ručke u gornji otvor (A) za smanjenje visine ručke.

- b) Postavite podupirač ručke u donji otvor (B) za povećanje visine ručke.



## Rad

### Uvod



**UPOZORENJE:** Prije rada s proizvodom morate pročitati i usvojiti poglavlje o sigurnosti.

### Husqvarna Connect

Husqvarna Connect besplatna je aplikacija za mobilni uređaj. Aplikacija Husqvarna Connect pruža vam dodatne funkcije za proizvod Husqvarna.

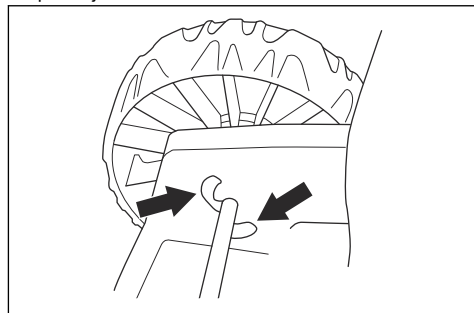
- Opširnije informacije o proizvodu.
- Dodatne informacije i pomoć za dijelove i servisiranje proizvoda.

### Početak rada sa Husqvarna Connect

1. Preuzmite aplikaciju Husqvarna Connect na svoj mobilni uređaj.
2. Prijavite se na aplikaciju Husqvarna Connect.
3. Pratite upute u aplikaciji Husqvarna Connect kako biste se spojili i registrirali proizvod.

### Za postavljanje visine rezanja

- Pritisnite vratilo van i pomaknite ga u odgovarajući položaj za svaki od 4 kotača.



**OPREZ:** Visinu rezanja nemojte postaviti prenisko. Noževi mogu udariti u tlo ako površina travnjaka nije ravna.

### Baterija

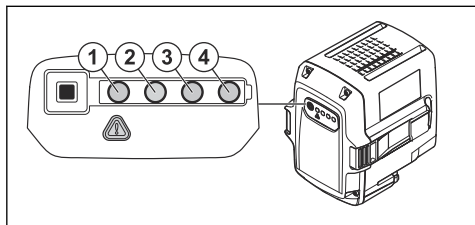


**UPOZORENJE:** Prije upotrebe baterije morate pročitati i usvojiti poglavlje o sigurnosti. Također morate pročitati i usvojiti korisnički priručnik za bateriju i punjač baterije.

### Status baterije

Na zaslonu se prikazuje preostali kapacitet baterije te postoje li problemi s baterijom. Kapacitet baterije prikazuje se na 5 sekundi nakon isključenja proizvoda ili pritiskanja gumba indikatora baterije. Kada dođe do

pogreške uključuje se simbol upozorenja na bateriji. Pogledajte *Baterija na stranici 240*.



LED indikatori	Status baterije
Svi LED indikatori svijetle	Potpuno napunjena (75 – 100%)
Svijetle indikatori LED 1, LED 2 i LED 3	Baterija je napunjena 50% – 75%
Svijetle indikatori LED 1 i LED 2	Baterija je napunjena 25% – 50%
Svijetli indikator LED 1	Baterija je napunjena 0% – 25%.
Indikator LED 1 treperi	Baterija je prazna. Napunite bateriju.

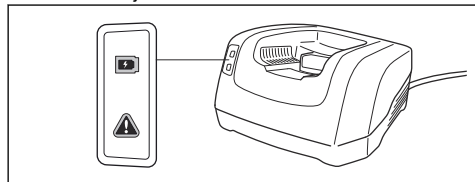
## Zamjena baterije

Prije prve upotrebe napunite bateriju. Baterija je pri isporuci kupcu napunjena samo 30%.

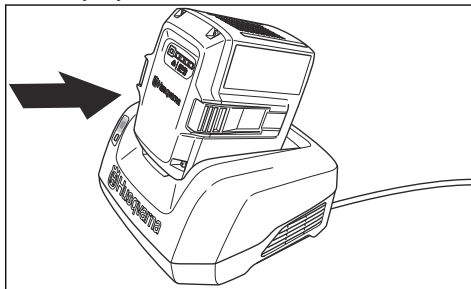
**Napomena:** Punjač baterije morate spojiti na napon i frekvenciju koji su navedeni na natpisnoj pločici.

Baterija se ne puni ako je temperatura baterije viša od 50 °C. Punjač baterije smanjuje temperaturu baterije prije početka punjenja.

1. Jedan kraj kabela za napajanje punjača baterije priključite na utičnicu na punjaču baterije.
2. Drugi kraj kabela za napajanje punjača baterije priključite na uzemljenu mrežnu utičnicu. LED indikator na punjaču baterije zatreperi jednom zelenom bojom.



3. Postavite bateriju u punjač baterije. Ako je baterija pravilno priključena na punjač baterije, na punjaču se uključuje zeleni indikator.



4. Kada na bateriji svijetle svi LED indikatori, baterija je potpuno napunjena. Bateriju punite najdulje 24 sata.
5. Za odspajanje punjača baterije od mrežne utičnice povucite priključak, ne kabel.
6. Izvadite bateriju iz punjača baterije.

## Status punjača baterije

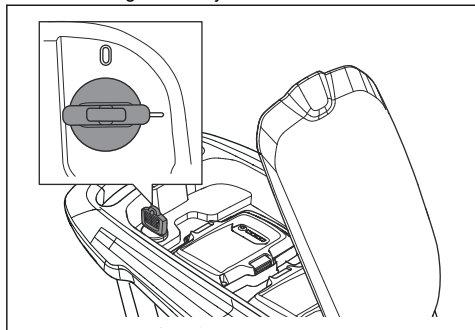
Litij-ionsku bateriju tvrtke Husqvarna možete puniti ili upotrebljavati pri bilo kojoj razini napunjenosti. Baterija nije oštećena. Potpuno napunjena baterija neće se prazniti kada je ostavite u punjaču.

LED zaslon	Stanje punjenja
Indikator LED 1 treperi	0% – 25%
Svijetli indikator LED 1, indikator LED 2 treperi	25% – 50%
Svijetle indikatori LED 1, LED 2, indikator LED 3 treperi	50% – 75%
Svijetle indikatori LED 1, LED 2, LED 3, indikator LED 4 treperi	75% – 100%
Svijetle indikatori LED 1, LED 2, LED 3 i LED 4	Potpuno napunjena

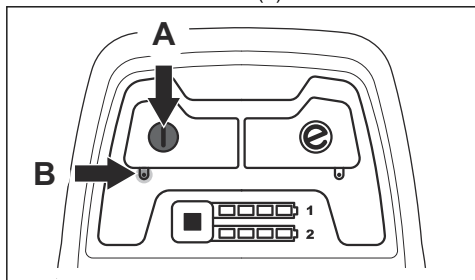
## Pokretanje proizvoda

1. Umetnite potpuno napunjenu bateriju u odjeljak za bateriju 1 ispod poklopca baterije. Za dulje vrijeme rada umetnite drugu napunjenu bateriju u odjeljak za bateriju 2.

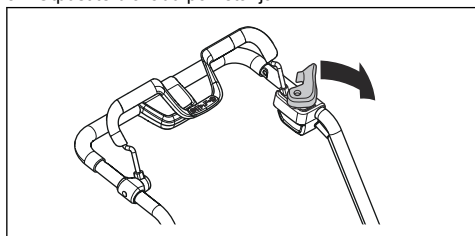
2. Okrenite sigurnosni ključ na 1.



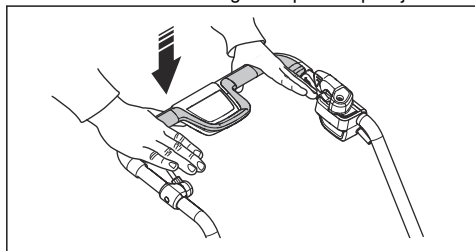
3. Stanite iza proizvoda.
4. Pritisnite gumb za UKLJUČIVANJE/ ISKLJUČIVANJE (A) na upravljačkoj ploči i uključite će se zeleni LED indikator (B).



5. Otpustite blokadu pokretanja.



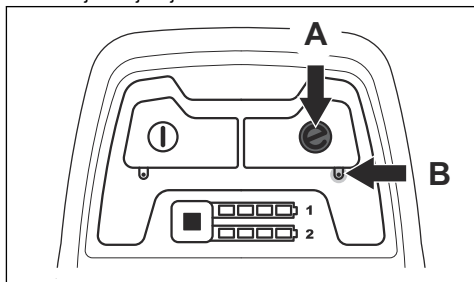
6. Ručicu kočnice motora gurnite prema upravljaču.



## Upotreba funkcije SavE

Proizvod ima funkciju za uštedu baterije (SavE) koja omogućuje dulje vrijeme rada.

1. Pritisnite gumb SavE (A) kako biste pokrenuli funkciju. Uključuje se zeleni LED indikator.



2. Ponovno pritisnite gumb SavE kako biste prekinuli funkciju. Isključuje se zeleni LED indikator (B).

Funkcija SavE automatski se zaustavlja ako uvjeti na tlu zahtijevaju veću snagu. Funkcija SavE automatski se uključuje kada to dopuste uvjeti na tlu.

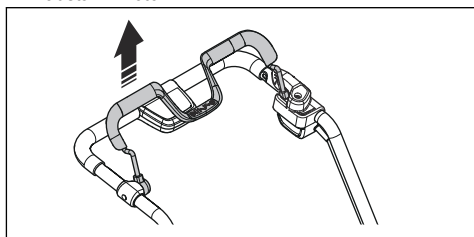
## Funkcija za velika opterećenja

Kada proizvodom kosite vlažnu travu, motor automatski povećava broj o/min. Motor se vraća u standardni način rada kada više nije potrebna velika snaga.

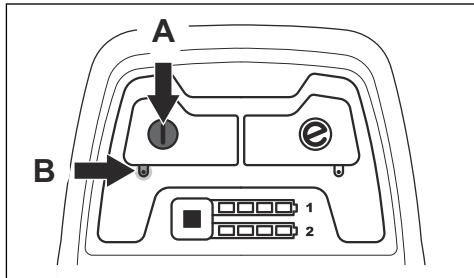
## Zaustavljanje proizvoda

Proizvod se automatski zaustavlja ako ga ne upotrebljavate 10 minuta. Prije ostavljanja proizvoda bez nadzora obavezno okrenite sigurnosni ključ na 0.

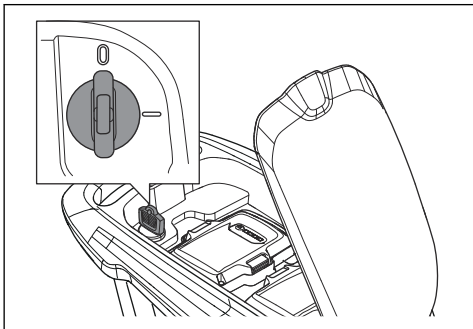
1. Otpustite ručicom kočnice motora kako biste zaustavili motor.



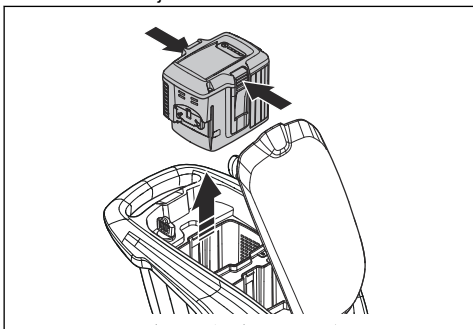
2. Na upravljačkoj ploči pritisnite gumb za UKLJUČIVANJE/ISKLJUČIVANJE (A) i zeleni LED indikator (B) se isključuje.



3. Otvorite poklopac baterije i okrenite sigurnosni ključ na 0.



4. Za uklanjanje baterije pritisnite gumb za otpuštanje i izvadite bateriju.



5. Zamijenite slabu bateriju. Više informacija potražite u *Zamjena baterije na stranici 236.*

## Za dobar ishod

- Uvijek upotrebljavajte oštar nož. Tup nož daje nepravilne rezultate, a rezana površina trave požuti. Oštar nož također troši manje energije od tupog.
- Nemojte rezati više od 1/4 od duljine trave. Prvo kosite s visoko postavljenom visinom za rezanje. Provjerite rezultat i spustite visinu rezanja na prihvatljivu razinu. Ako je trava vrlo dugačka, vozite polako i po potrebi kosite 2 puta.
- Svaki put kosite u drugom smjeru kako biste spriječili nastanak traka na travnjaku.
- Pokrov noža mora biti čist. Nakupine trave i prljavštine s unutarnje strane pokrova noža mogu umanjiti rezultate rezanja. Pogledajte *Za čišćenje proizvoda na stranici 239.*

## Održavanje

### Uvod



**UPOZORENJE:** Prije održavanja morate pročitati i usvojiti poglavlje o sigurnosti.

Za sve radove servisiranja i održavanja na proizvodu potrebna je posebna obuka. Jamčimo dostupnost profesionalnih popravaka i servisa. Ako vaš distributer

nije servisier, od njega zatražite informacije o najbližem servisieru.

### Raspored održavanja

Intervali održavanja izračunati su za dnevnu upotrebu proizvoda. Intervali se mijenjaju ako se proizvod ne upotrebljava svakodnevno.

Za održavanja označena s \* pogledajte upute u *Sigurnosne upute za proizvod na stranici 230.*

	Svake upotrebe	Mjesečno	Svake sezone
Provedite opći pregled	X		
Očistite proizvod	X		
Provjerite blokadu paljenja *	X		
Provjerite ispravnost sigurnosnih uređaja na proizvodu *	X		
Pogledajte reznu opremu	X		
Pogledajte pokrov noža *	X		

	Svake upotrebe	Mjesečno	Svake sezone
Provjerite ručicu kočnice motora *	X		
Provjerite ispravnost i neoštećenost gumba ON/OFF (uključeno/isključeno)	X		
Provjerite jesu li baterija oštećena	X		
Provjerite napunjenost baterije	X		
Provjerite ispravnost gumba za otpuštanje baterije i pričvršćivanje baterije u proizvod	X		
Provjerite je li punjač baterije oštećen i uvjerite se u njegovu ispravnost rada.		X	
Pregledajte spojeve između baterije i proizvoda. Također pregledajte spojeve između baterije i punjača baterije.			X

## Za opći pregled

- Provjerite jesu li zategnuti matice i vijci na proizvodu.
- Kabeli na proizvodu ne smiju biti u položaju u kojem se mogu oštetiti.

## Za čišćenje proizvoda

- Plastične dijelove čistite čistom i suhom krpom.
- Proizvod nemojte čistiti vodom. Voda može prodrijeti u bateriju ili motor i uzrokovati kratki spoj ili oštetiti proizvod.
- Za čišćenje proizvoda nemojte koristiti visokotlačni stroj za pranje.
- Nemojte liti vodu izravno na motor.
- Četkom uklonite lišće, travu i onečišćenja.

## Za čišćenje baterije i punjača baterija



**UPOZORENJE:** Bateriju ili punjač baterije nikada nemojte čistiti vodom.

- Prije umetanja baterije u punjač baterije provjerite jesu li baterija i punjač baterije čisti i suhi.
- Očistite polove baterije komprimiranim zrakom ili upotrijebite mekanu i suhu krpu.
- Površine baterije i punjač baterije očistite mekanom i suhom krpom.

## Za pregled rezne opreme



**UPOZORENJE:** Kako biste spriječili nenamjerno pokretanje sigurnosni ključ okrenite na 0, uklonite bateriju i pričekajte najmanje 5 sekundi.



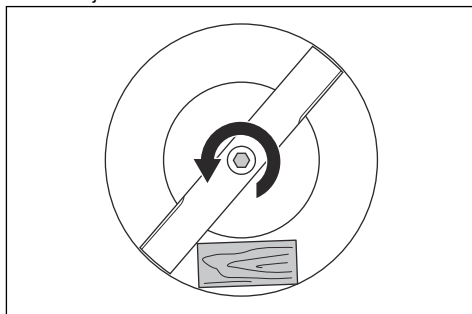
**UPOZORENJE:** Tijekom održavanja rezne opreme nosite zaštitne rukavice. Nož je vrlo oštar i lako dolazi do posjekotina.

1. Pregledajte ima li na reznoj opremi oštećenja ili pukotina. Oštećenu reznu opremu obavezno zamijenite.
2. Pregledajte nož kako biste ustanovili je li oštećen ili tup.

**Napomena:** Nakon oštrenja nož je nužno uravnotežiti. Nož naoštrite, zamijenite i uravnotežite u servisnom centru. Ako se pri udaru u prepreku proizvod zaustavi, zamijenite oštećeni nož. Procjenu za oštrenje ili zamjenu noža prepustite servisnom centru.

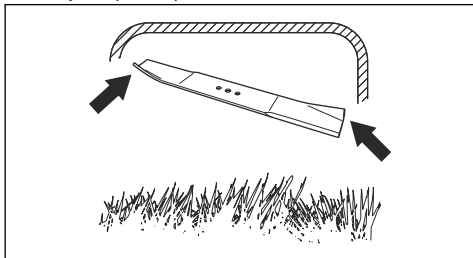
## Zamjena noža

1. Blokirate nož drvenim blokom.

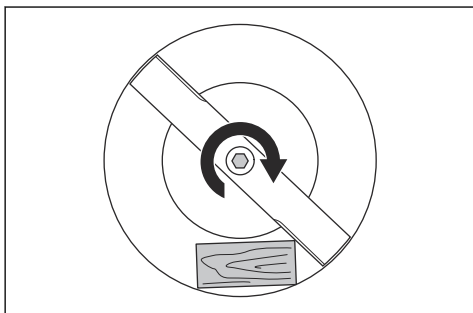


2. Uklonite vijak noža.
3. Uklonite nož.
4. Provjerite jesu li nosač noža i vijak noža neoštećeni.
5. Pregledajte vratilo motora kako biste se uvjerali da nije savijeno.

6. Zaobljene rubove novog noža pri postavljanju usmjerite prema pokrovu noža.



7. Nož mora biti poravnat sa središtem vratila motora.  
8. Blokirate nož drvenim blokom. Postavite elastični rasječeni prsten i zategnite vijak i podlošku na zatezni moment od 23–28 Nm.



9. Ručno povucite nož u krug kako biste provjerili okreće li se slobodno.



**UPOZORENJE:** Nosite rukavice za teške uvjete rada. Nož je vrlo oštar i lako dolazi do posjekotina.

10. Pokrenite proizvod kako biste ispitali nož. Ako nož nije ispravno pričvršćen, proizvod vibrira ili ishod košenja nije zadovoljavajući.

## Rješavanje problema

### Baterija

LED indikator na bateriji	Uzrok	Rješenje
Trepće zeleni LED indikator.	Napon baterije je nizak.	Napunite bateriju. Pogledajte <i>Zamjena baterije na stranici 236</i> .
Trepće LED indikator za pogreške.	Baterija je slaba.	Napunite bateriju. Pogledajte <i>Zamjena baterije na stranici 236</i> .
	Temperatura radnog okoliša je previsoka ili preniska.	Bateriju upotrebljavajte u rasponu temperatura od -10 °C i 40 °C.
	Prenapon.	Napon mreže mora biti jednak naponu na natpisnoj pločici proizvoda.  Izvadite bateriju iz punjača baterije. Pričekajte 5 sekundi i ponovno pokušajte napuniti bateriju. Ako se problem ne ukloni, obratite se ovlaštenom serviseru.
Uključen je LED indikator za pogreške.	Razlika između ćelija je prevelika (1 V).	Obratite se ovlaštenom serviseru.



## Punjač baterije

LED indikator na punjaču baterije	Uzrok	Rješenje
Trepće LED indikator za pogreške.	Temperatura radnog okoliša je previsoka ili preniska.	Punjač baterije upotrebljavajte u rasponu temperature između 5 °C i 40 °C.
Uključen je LED indikator za pogreške.		Obratite se ovlaštenom serviseru.

## Upravljačka ploča

Za probleme koji nisu navedeni u ovom odjeljku obratite se ovlaštenom serviseru.

Tipkovnica	Kod pogreške (broj treperenja)	Moguće pogreške	Moguće rješenje
Treperenje LED indikatora za pogreške	3	Motor je preopterećen	Povećajte visinu rezanja. Pogledajte <i>Za postavljanje visine rezanja na stranici 235</i> .
	5	Prevelik pad brzine motora i zaustavljanje motora	
	10	Upravljanje motorom je pregrijano	Zaustavite motor i pričekajte da se ohladi
	2	Nož je blokiran	Kako biste spriječili nenamjerno pokretanje sigurnosni ključ okrenite na 0, uklonite bateriju i pričekajte najmanje 5 sekundi. Provjerite okreću li se noževi neometano. Ako se problem ponovno pojavi, obratite se ovlaštenom serviseru
	9	Pogreška baterije ili nema signala baterije	Pravilno umetnite bateriju u proizvod i pregledajte priključak baterije. Ako treperi LED indikator za pogrešku, pogledajte <i>Baterija na stranici 235</i> .
Proizvod se zaustavlja	8	Baterija je slaba	Napunite bateriju. Pogledajte <i>Zamjena baterije na stranici 236</i> .
	0	Kvar priključka baterije	Pregledajte priključak baterije

## Prijevoz, spremanje i zbrinjavanje

### Uvod



**UPOZORENJE:** Kako biste spriječili nenamjerno pokretanje pri transportu okrenite sigurnosni ključ na 0, uklonite bateriju i pričekajte najmanje 5 sekundi.

### Prijevoz

- Na sadržane litij-ionske baterije primjenjuju se zahtjevi zakona o opasnim tvarima.

- Za komercijalne transporte morate poštivati posebne zahtjeve za pakiranje i oznake.
- Provjerite poštivanje propisa za opasne materijale tijekom pripreme proizvoda za transport. Primjenjuju se lokalni propisi.
- Prije prijevoza obavezno izvadite bateriju.
- Preljepite priključke baterije trakom i onemogućite pomicanje baterije tijekom transporta.
- Pričvrstite proizvod tijekom transporta.

### Skladištenje

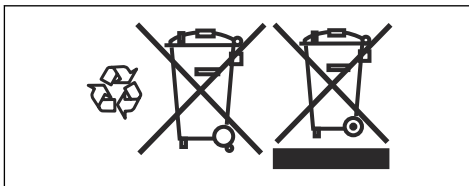
- Prije skladištenja obavezno izvadite bateriju.

- Kako biste spriječili nezgode, bateriju tijekom skladištenja nemojte ostaviti priključenu na proizvod.
- Punjač baterije spremite u zatvoren, suh prostor.
- Bateriju i punjač baterije spremite u suh prostor u koji ne može prodrijeti vlaga ili mraz.
- Bateriju za skladištenje uklonite s punjača baterije.
- Bateriju nemojte skladištiti u prostoru u kojem može nastati statički elektricitet. Bateriju nemojte čuvati u metalnoj kutiji.
- Bateriju spremite u prostor temperature između 5 °C i 25 °C, bez izlaganja izravnoj sunčevoj svjetlosti.
- Punjač baterije spremite u prostor temperature između 5 °C i 45 °C, bez izlaganja izravnoj sunčevoj svjetlosti.
- Prije dugotrajnog skladištenja obavezno napunite bateriju na 30% do 50%.
- Proizvod, bateriju i punjač baterije skladištite u zaključanom prostoru izvan dosega djece i neodobrenih osoba.
- Prije dugotrajnog skladištenja očistite proizvod i provedite cjeloviti servis.

## Odlaganje

Oznake na proizvodu ili ambalaži proizvoda znače da se proizvod ne smije odlagati zajedno s komunalnim otpadom. Umjesto toga, potrebno ga je odnijeti u propisani reciklažni centar za prihvata električne i elektroničke opreme.

Ispravnim rukovanjem proizvodom pomažete u ublažavanju negativnih učinaka po okoliš i osobe do kojih može doći u slučaju pogrešnog upravljanja otpadnim tvarima ovog proizvoda. Pojediniosti o recikliranju proizvoda zatražite od lokalnih tijela uprave, komunalne službe ili u prodavaonici u kojoj ste kupili proizvod.



## Tehnički podaci

	<b>LB 146i</b>
<b>Rezni motor</b>	
Vrsta motora	BLDC (beskontaktni) 36 V
Broj okretaja motora – SavE, o/min	2600
Broj okretaja motora – nazivni, o/min	3000
Broj okretaja motora – veliko opterećenje, o/min	3500
Snaga motora – maks. kW	1,05
Snaga motora – nazivna, kW	0,9
Ograničenje maks. struje (trenutačno ograničenje: 900W-27A)	27 (+/-) 1A
<b>Težina</b>	
Težina bez baterije, kg	16,9
<b>Baterija <sup>41</sup></b>	
Vrsta baterije	Serije baterije Husqvarna
<b>Trajanje baterije</b>	
Trajanje baterije, min, (slobodni pogon) s uključenom funkcijom SavE, s jednom baterijom tvrtke Husqvarna od 5,2 Ah (BLi200).	77
Trajanje baterije, min, (slobodni pogon) s uključenom standardnim načinom rada, s jednom baterijom tvrtke Husqvarna od 5,2 Ah (BLi200).	45

<sup>41</sup> Za najbolje rezultate i performanse preporučuje se baterija BLi200 tvrtke Husqvarna.

	<b>LB 146i</b>
<b>Emisije buke</b> <sup>42</sup>	
Razina jačine zvuka, mjerena u dB (A)	90
Razina jačine zvuka, zajamčena L <sub>WA</sub> dB (A)	91
<b>Razine buke</b> <sup>43</sup>	
Razine tlaka zvuka na uhu rukovatelja, dB (A)	79
<b>Razine vibracije</b> <sup>44</sup>	
Ručka, m/s <sup>2</sup>	0,9
<b>Rezna oprema</b>	
Visina rezanja, mm	35 – 70 mm
Širina rezanja, cm	46
Nož	BioClip
Kataloški broj	5947022-10

Odobrene baterije	Vrsta	Kapacitet baterije, Ah	Napon, V	Težina, lb/kg
BLi20	Litij-ion	4,0	36	2,6/1,2
BLi200	Litij-ion	5,2	36	2,8/1,3
BLi300	Litij-ion	9,4	36	4,2/1,9

Odobreni punjači za navedene baterije, BLi	Ulazni napon, V	Frekvencija, Hz	Snaga, W
QC80	100 – 240	50 – 60	100
QC80F	10-15	Nije dostupno	95
QC330	100 – 240	50 – 60	330
QC500	100 – 240	50 – 60	500
40-C80	100 – 240	50 – 60	68,8

<sup>42</sup> \* Emisije buke u okoliš izmjerene kao jakost zvuka (L<sub>WA</sub>) u skladu s Direktivom EZ 2000/14/EZ.

<sup>43</sup> Navedeni podaci za razinu pritiska zvuka uključuju tipično statističko raspršenje (standardno odstupanje) od 1,2 dB (A).

<sup>44</sup> Navedeni podaci o razini vibracija sadrže tipično statističko raspršenje (standardno odstupanje) od 0,2 m m/s<sup>2</sup>. Standard za vibracije EN 60335-2-77:2017, poglavlje 20.105

---

# Izjava o sukladnosti EC

---

## EZ izjava o sukladnosti

**Husqvarna AB**, SE-561 82 Huskvarna, Švedska, tel:  
+46-36-146500, izjavljuje kako kosilice **Husqvarna**  
**LB 146i** iz godine 2021 i novije udovoljavaju zahtjevima  
DIREKTIVE VIJEĆA:

- od 8. lipnja 2011. o "ograničenju uporabe određenih opasnih tvari" **2011/65/EU**
- od 17. svibnja 2006. „o strojevima“ **2006/42/EZ**
- od 26. veljače 2014. „o elektromagnetskoj kompatibilnosti“ **2014/30/EU**
- od 8. svibnja 2000. „o emisijama buke u okoliš“ **2000/14/EZ**

Informacije o emisiji buke potražite u tehničkim podacima.

Primijenjeni su sljedeći standardi:

**EN 60335-1:2012+A11:2014+A13:2017, EN 60335-2-77:2010, EN 62233:2008, EN 55014-1:2017+A11:2020, EN 55014-2:2015, EN IEC 63000:2018**

Osim ako nije navedeno drugačije, prethodno navedene norme zadnje su objavljene verzije.

Prijavljeno tijelo: **0404, RISE SMP Svensk Maskinprovning AB, Box 7035, SE-750 07 Uppsala**  
provelo je procjenu sukladnosti prema prilogu VI  
Direktive 2000/14/EC.

Huskvarna, 2021-10-30



Claes Losdal, razvojni menadžer/vrtni proizvodi  
(ovlašteni predstavnik tvrtke Husqvarna AB i nositelj  
odgovornosti za tehničku dokumentaciju)

# TARTALOMJEGYZÉK

Bevezető.....	245	Hibaelhárítás.....	262
Biztonság.....	248	Szállítás, tárolás és ártalmatlanítás.....	264
Összeszerelés.....	256	Műszaki adatok.....	265
Üzemeltetés.....	257	EK megfelelőségi nyilatkozat.....	267
Karbantartás.....	260		

## Bevezető

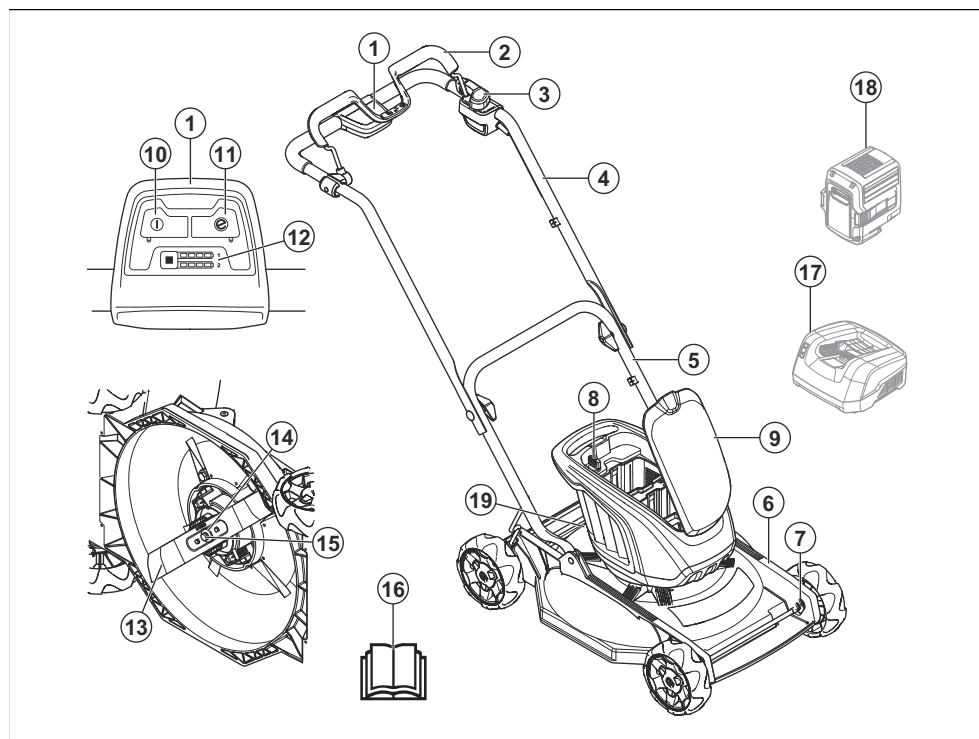
### Termékleírás

A termék egy gyalog kísért forgóképes fűnyíró, mely a BioClip technológia segítségével végzi el a fű trágyázásra való vágását.

### Rendeltetésszerű használat

A termék fűnyírásra szolgál. Ne használja a terméket egyéb feladatokra.

### A termék áttekintése



- |                              |  |
|------------------------------|--|
| 1. Vezérlőpanel              | 8. Biztonsági kulcs  |
| 2. Motorfékfogantyú          | 9. Akkumulátorfedél  |
| 3. Indításgátló              | 10. BE-/KI kapcsoló gomb                                     |
| 4. Fogantyú felső része      | 11. SavE gomb  |
| 5. Alsó fogantyú             | 12. Akkumulátor töltésellenőrző lámpái és akkumulátor gombja |
| 6. Vágóburkolat              | 13. Kés  |
| 7. Vágásimagasság-szabályozó |  |

14. Rugóalátét
15. Késtartó csavar
16. Kezelői kézikönyv
17. Akkumulátortöltő (tartozék)
18. Akkumulátor (tartozék)
19. QR-kóddal ellátott típusábra

## A terméken található jelzések



**Figyelmeztetés:** A gondatlan vagy helytelen használat a kezelő vagy mások sérülését vagy halálát okozhatja.



Olvassa el figyelmesen a használati utasítást, és győződjön meg arról, hogy megértette azt, mielőtt a terméket használatba veszi.



A személyeket és állatokat tartsa biztonságos távolságban a munkaterülettől.



Legyen óvatos a kivetett és visszapattanó tárgyakkal.



**Figyelmeztetés:** Tartsa távol kezét és lábát a forgó késektől.



**Figyelmeztetés:** Tartsa távol kezét és lábát a forgó alkatrészekről.



Karbantartás vagy javítás előtt vegye ki az eltávolítható biztonsági kulcsot.



Óvja a terméket az esőtől



A termék és a termék csomagolása nem minősül háztartási hulladéknak. Újrahasznosítását egy elektromos és elektronikus berendezések újrahasznosítására szolgáló ponton kell elvégezni.



Ez a termék megfelel az Európai Unió vonatkozó előírásainak.



Ez a termék megfelel az Eurázsiai Gazdasági Unió vonatkozó előírásainak.



Ez a termék megfelel a vonatkozó UkrSEPRO előírásoknak.



Ez a termék megfelel a vonatkozó RCM előírásoknak. Csak Ausztráliára/Új-Zélandra vonatkozik



Az Európai Közösség irányelvének megfelelő zajkibocsátás. A termék kibocsátási adatai megtalálhatók a Műszaki adatok című fejezetben és a címkén.

VESZÉLY – Tartsa távol a kezét és a lábát.

## Termékszavatosság

A termékszavatosságra vonatkozó jogszabályok értelmében nem vagyunk felelősek a termékeink által okozott károkért az alábbi esetekben:

## IPX1 IPX1 – Cseppálló



Indítási eljárás: nyomja meg az ON/OFF gombot, lazítsa meg az indításgátlót, nyomja lefelé a motorfékfogantyút.

- a termék javítását helytelenül végezték;
- a termék javítása nem a gyártótól származó vagy általa jóváhagyott alkatrészekkel történt;
- a terméket nem a gyártótól származó vagy általa jóváhagyott kiegészítővel szerelték fel;
- a termék javítását nem hivatalos szakszerviz vagy jóváhagyott egyéb szerviz végezte.



A leállításhoz engedje el a motorfékfogantyút.

**Megjegyzés:** A terméken szereplő többi jel/címke egyes piacok specifikus vizsgáztatási követelményeire vonatkozik.

## Jelzés a terméken



---

## Biztonság

---

### Biztonsági meghatározások

A figyelmeztetések, óvintézkedések és megjegyzések a használati utasítás kiemelten fontos részeire hívják fel a figyelmet.



#### **FIGYELMEZTETÉS:**

Akkor használatos, ha a kézikönyv utasításainak be nem tartása esetén fennáll a kezelő vagy a közelben tartózkodók sérülésének vagy halálának veszélye.



#### **VIGYÁZAT:**

Akkor használatos, ha a kézikönyv utasításainak be nem tartása esetén fennáll a vagyoni kár, illetve a termék vagy a környező terület károsodásának veszélye.

**Megjegyzés:** További információt biztosít az adott helyzetben szükséges tennivalókról.

### Általános biztonsági utasítások



**FIGYELMEZTETÉS:** A termék használata előtt olvassa el az alábbi figyelmeztetéseket.

- Ez a termék veszélyes, ha helytelenül használja, vagy ha nem vigyáz. A biztonsági utasítások be nem tartása sérüléssel vagy halállal járhat.
- A termék működés közben elektromágneses mezőt hoz létre. Ez bizonyos körülmények esetén hatással lehet az aktív vagy passzív orvosi implantátumokra. A súlyos vagy halálos sérülés kockázatának csökkentése érdekében azt javasoljuk, hogy az orvosi implantátumot használó személyek a termék alkalmazása előtt kérjék ki orvosuk vagy az orvosi implantátum gyártójának tanácsát.
- Mindig megfontoltan és előrelátóan cselekedjen. Ha nem biztos benne, hogyan kell a terméket speciális helyzetben üzemeltetni, akkor hagyja abba a tevékenységet, és beszéljen a Husqvarna



kereskedőjével a folytatás előtt.

- Ne feledje, hogy a kezelő felelős a másokat és a mások tulajdonát érő balesetekért is.
- Tartsa tisztán a terméket. Ügyeljen arra, hogy a jelek és címkék jól olvashatóak legyenek.
- Soha ne engedje, hogy gyermekek vagy a kezelési utasításokat nem ismerő személyek használják a készüléket. A helyi rendelkezések adott esetben kezelési korhatárt szabhatnak meg
- Csökkent fizikai vagy szellemi képességekkel rendelkező személy csak felügyelet mellett használhatja a terméket. Egy felelős felnőttnek mindig jelen kell lennie.
- Ne használja a terméket, ha fáradt, beteg, illetve alkohol, drog vagy gyógyszer hatása alatt áll. Ez negatív hatással van a látására, az éberségére, a koordinációjára és az ítélőképességére.
- Ne használja a terméket, ha hibás.
- Ne változtassa meg a terméket, vagy ne használja, ha feltehetőleg valaki más

változtatásokat hajtott végre rajta.

## A munkaterület biztonsága

---



**FIGYELMEZTETÉS:** A termék használata előtt olvassa el az alábbi figyelmeztetéseket.

---

- A termék használata előtt távolítsa el a különböző tárgyakat, például ágakat, gallyakat és köveket a munkaterületről.
- A vágószerkezetnek ütköző tárgyak elrepülve személyek vagy tárgyak sérülését okozhatják. A közelben állókat és az állatokat tartsa biztonságos távolságban a terméktől.
- Ne használja a terméket rossz időben, például ködben, esőben, erős szélben, nagy hidegben, villámlás veszélyes esetén. A termék rossz időjárási körülmények között vagy nyirkos, nedves helyeken történő használata fárasztó. A rossz időjárás veszélyes körülményeket, például csúszós felületeket okozhat.
- Ügyeljen az olyan személyekre, tárgyakra és helyzetekre, amelyek

- akadályozzák a termék biztonságos üzemeltetését.
- Ügyeljen az olyan akadályokra, mint a gyökerek, kövek, gallyak, gödrök és árkok. A magas fű akadályokat rejthet.
  - A lejtőkön levő fű nyírása veszélyes lehet. Meredek lejtőkön/emelkedőkön ne nyírjon fűvet. Ne használja a terméket 15 foknál meredekebb lejtőn.
  - Lejtős terepen rendkívül óvatosan váltson irányt. Az emelkedőknél/lejtőknel mindig oldalirányban működtesse a terméket. Ne haladjon felfelé vagy lefelé.
  - Legyen körültekintő, ha olyan sarkok és tárgyak közelébe ér, amelyek gátolják a tiszta kilátást.

## Munkabiztonság



**FIGYELMEZTETÉS:** A termék használata előtt olvassa el az alábbi figyelmeztetéseket.

- Használjon személyi védőfelszerelést. Lásd: *Személyi védőfelszerelés251. oldalon.*
  - Mindenképpen legyen tisztában azzal, hogy vészhelyzet esetén hogyan kell gyorsan leállítani a motort.
  - Ne működtesse a terméket esős vagy nedves körülmények között. A termékbe jutó víz növeli az áramütés kockázatát.
  - Ne használja a készüléket, hacsak a kés és az összes borítás nincs megfelelően rögzítve. A nem megfelelően rögzített kés kilazulhat, és személyi sérülést okozhat.
  - Ügyeljen arra, hogy a kés ne ütközzön olyan tárgyakba, mint például kövek és gyökerek. Ez kárt tehet a késben, és meghajlíthatja a motor tengelyét. A meghajlott tengely erős rezgést okoz, és így nagyon nagy a kockázata annak, hogy a kés meglazul.
  - Ha a kés valamilyen tárgynak ütközik vagy rezegni kezd, azonnal állítsa le a terméket. Állítsa le a motort, fordítsa a biztonsági kulcsot „0” állásba, és vegye ki az akkumulátort. Ellenőrizze, hogy a termék sérülésmentes-e. Javítsa meg
- Ezt a terméket kizárólag füves pázsitok nyírására használja. A termék más feladatokra történő használata nem megengedett.

a sérüléseket, vagy végeztesse el a szakszervizzel a javításokat.

- Amikor a motor működésben van, soha ne rögzítse tartósan a motorfékfogantyút a fogantyúhoz.
- Helyezze a terméket stabil, vízszintes felületre, és kapcsolja be. Gondoskodjon arról, hogy a kés ne ütközzön se a talajba, se egyéb tárgyakra.
- Mindig maradjon a termék mögött, amikor működteti.
- A termék üzemeltetése során minden kerék legyen a talajon, és tartsa két kézzel a fogantyút. Tartsa távol kezét és lábát a forgó késektől.
- Ne döntse meg a terméket, ha a motor jár.
- Legyen óvatos, amikor hátrafelé húzza a terméket.
- Soha ne emelje fel a terméket, ha a motor jár. Ha mindenképpen fel kell emelnie a terméket, először állítsa le a motort, a biztonsági kulcsot fordítsa „0” állásba, és vegye ki az akkumulátort.
- Ne sétáljon hátrafelé a termék működtetése során.
- Állítsa le a motort, ha olyan területeken halad át, ahol nincs fű, például kavicsos,

kövezett és aszfaltozott járdákon.

- Ne fusson a termékkel, ha a motor jár. Mindig sétáljon a termék működtetése során.
- Mielőtt megváltoztatná a vágási magasságot, állítsa le a motort. Soha ne végezzen beállításokat, amikor a motor jár.
- Soha ne hagyja a terméket felügyelet nélkül járó motor esetén. Állítsa le a motort és győződjön meg arról, hogy a vágószerkezet nem forog.

**Biztonsági utasítások az üzemeltetéshez**

### **Személyi védőfelszerelés**



**FIGYELMEZTETÉS:** A termék használata előtt olvassa el az alábbi figyelmeztetéseket.

---

- A személyi védőfelszerelés nem küszöböli ki teljes mértékben a sérülés kockázatát, de csökkenti a sérülés mértékét, ha bekövetkezik a baleset. A megfelelő felszerelés kiválasztásában kérje a kereskedő segítségét.
- Használjon nagy teherbírású, csúszásmentes bakancsot vagy cipőt. Ne használja

nyitott cipőben vagy mezítláb a terméket.

- Viseljen vastag, hosszú szárú nadrágot.
- Viseljen védőkesztyűt, például a vágószerkezet felhelyezésekor, ellenőrzésekor vagy tisztításakor.

### Biztonsági eszközök a terméken



**FIGYELMEZTETÉS:** A termék használata előtt olvassa el az alábbi figyelmeztetéseket.

- Ne használjon olyan terméket, amelynek hibásak a biztonsági eszközei.
- Rendszeresen ellenőrizze a biztonsági eszközöket. A biztonsági eszközök meghibásodása esetén vegye fel a kapcsolatot a Husqvarna szervizműhellyel.

### A vágóburkolat ellenőrzése

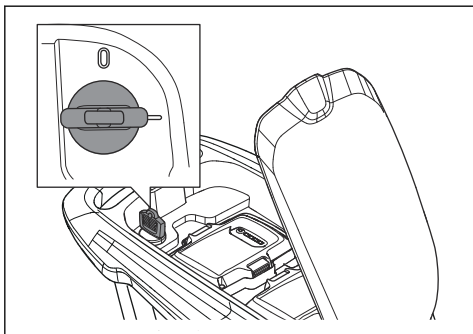
A vágóburkolat csökkenti a termék rezgését és a kés okozta sérülések kockázatát.

- Vizsgálja meg a vágóburkolatot, hogy nincs rajta sérülés, például repedés.

### Biztonsági kulcs

A biztonsági kulcs az akkumulátorfedél alatt helyezkedik el. A biztonsági kulcs csatlakoztatja a motort ellátó akkumulátort.

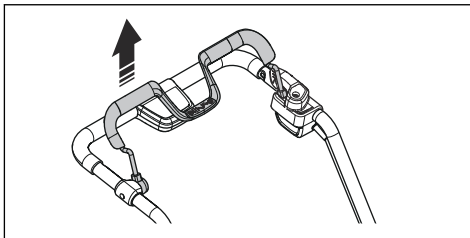
- A biztonsági kulcs ellenőrzéséhez indítsa be, majd állítsa le a motort.
- Ha a biztonsági kulcs megfelelően működik, a motor csak akkor indítható be, ha a biztonsági kulcs az „1” állásba van fordítva.



### Motorfékfogantyú

A motorfékfogantyú a motor leállítására szolgál. Ha elengedi a motorfékfogantyút, a motor leáll.

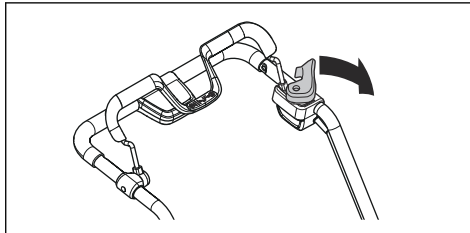
A motorfék ellenőrzéséhez indítsa el a motort, majd engedje el a motorfékfogantyút. Ha a motor 3 másodpercen belül nem áll le, állíttassa be egy hivatalos Husqvarna szakszervizben a motorféket.



### Az indításgátló ellenőrzése

Bizonyosodjon meg arról, hogy az indításgátló megakadályozza a motort elindulását.

1. Nyomja a motorfékfogantyút a fogantyú irányába. Az indításgátló megakadályozza a mozgást.
2. Nyomja kifelé az indításgátlót.



3. Engedje ki az indításgátlót, és győződjön meg arról, hogy az visszatér alaphelyzetbe.

### Az akkumulátorral kapcsolatos biztonsági előírások



**FIGYELMEZTETÉS:** A termék használata előtt olvassa el az alábbi figyelmeztetéseket.

- A Husqvarna tölthető akkumulátorokat csak a kompatibilis Husqvarna termékek tápellátására

használja. Ne használja az akkumulátort más eszközök áramforrásaként, mivel ez balesetveszélyes.

- Ne használjon nem újratölthető akkumulátorokat.
- Elektromos áramütés veszélye. Ne csatlakoztassa az akkumulátorsarukat kulcsokhoz, érmékhez, csavarokhoz vagy egyéb fémhez. Ez az akkumulátor rövidzárlatát okozhatja.
- Ne tegyen tárgyakat az akkumulátor szellőzőnyílásaiba.
- Tartsa távol az akkumulátort a közvetlen napsütéstől, hőtől és nyílt lángtól. Az akkumulátor felrobbanhat, és súlyos égési, illetve vegyi égési sérüléseket okozhat.
- Tartsa az akkumulátort esős, nedves környezettől távol.
- Tartsa az akkumulátort mikrohullámoktól és magas nyomástól távol.
- Soha ne próbálkozzon az akkumulátor szétszerelésével vagy széttörésével.
- Ha az akkumulátor szivárog, ne hagyja, hogy a folyadék bőrre vagy szembe kerüljön. Ha a folyadékhoz ért, nagy mennyiségű vízzel tisztítsa

meg az adott testfelületet, és forduljon orvoshoz.

- Az akkumulátort  $-10\text{ °C}$  és  $40\text{ °C}$  közötti hőmérsékleten használja.
- Soha ne tisztítsa vízzel az akkumulátort vagy az akkumulátortöltőt. Lásd: *Az akkumulátor és az akkumulátortöltő tisztítása* 261. oldalon.
- Ne használjon meghibásodott vagy sérült akkumulátort.
- A tárolás során tartsa az akkumulátorokat távol a fém tárgyaktól, például szegektől, érméktől, ékszerektől.

### Az akkumulátortöltő készülék biztonsága



**FIGYELMEZTETÉS:** A termék használata előtt olvassa el az alábbi figyelmeztetéseket.

- A QC akkumulátortöltőket csak a Husqvarna csereakkumulátorok töltésére használja.
- Áramütés vagy rövidzárlat veszélye. Ne tegyen tárgyakat a töltő szellőzőnyílásaiba. Ne próbálkozzon az akkumulátortöltő szétszerelésével. Ne érintsen a töltő csatlakozóihoz

fém tárgyát. Használjon jóváhagyott hálózati aljzatot.

- A termék működés közben elektromágneses mezőt hoz létre. Ez bizonyos körülmények esetén hatással lehet az aktív vagy passzív orvosi implantátumokra. A súlyos vagy halálos sérülés kockázatának csökkentése érdekében azt javasoljuk, hogy az orvosi implantátumot használó személyek a termék alkalmazása előtt kérjék ki orvosuk vagy az orvosi implantátum gyártójának tanácsát.
- Rendszeresen ellenőrizze, hogy az akkumulátortöltő tápkábele nem sérült-e, és hogy nincs rajta repedés.
- Ne emelje fel az akkumulátortöltőt a tápkábelnél fogva. Az akkumulátortöltő fali aljzatból történő kihúzásához a dugaszt húzza. Ne a hálózati tápkábelt húzza.
- Tartsa távol a hálózati tápkábelt és a hosszabbítókábelt a víztől, az olajtól és az éles élektől. Ügyeljen rá, hogy a kábel ne csípdjön be ajtóba, korlátba vagy hasonló tárgyba. Ilyen esetben a töltő feszültség alá kerülhet.
- Soha ne tisztítsa vízzel az akkumulátortöltőt.
- Az akkumulátortöltőt 8 éven felüli gyermekek, illetve csökkent fizikai, érzékelési vagy szellemi képességekkel rendelkező, vagy az akkumulátortöltő működtetésében járatlan személyek is használhatják, amennyiben ezt felügyelet mellett teszik, illetve ismerik a készülék biztonságos működtetésének módját és az azzal járó veszélyeket. Gyermekek nem játszhatnak az akkumulátortöltővel. Gyermekek csak felügyelet mellett végezhetnek tisztítást és karbantartást.
- Ne töltsön nem újratölthető akkumulátorokat a töltővel.
- Ne használja az akkumulátortöltőt gyúlékony anyagok vagy olyan anyagok közelében, amelyek korróziót okozhatnak. Ne takarja le a töltőkészüléket. Amennyiben a töltő füstölni vagy égni kezdene, húzza ki a dugóját.
- Ne használjon meghibásodott vagy sérült akkumulátortöltőt.
- Az akkumulátort csak jó szellőzésű helyiségben, napfénytől távol töltsen. Ne

töltse az akkumulátort nedves körülmények között.

## Biztonsági utasítások a karbantartáshoz



**FIGYELMEZTETÉS:** A termék használata előtt olvassa el az alábbi figyelmeztetéseket.

- A véletlen beindítás elkerülése érdekében karbantartáskor fordítsa a biztonsági kulcsot „0” állásba, és távolítsa el az akkumulátort. A karbantartás megkezdése előtt várjon legalább 5 másodpercet.
- A termék élettartamának növelése és a balesetveszély elkerülése érdekében végezze el szakszerűen a karbantartási műveleteket. Bízva hivatalos szervizműhelyre a professzionális javítást. Bővebb információért forduljon a legközelebbi szakszervizhez.
- Csak a felhasználói kézikönyvben megadott karbantartást végezze el. Komolyabb beavatkozásokat csak hivatalos szakszerviz végezhet.
- A vágószerkezet használata során viseljen strapabíró védőkesztyűt. A kés nagyon éles, könnyen megvághatja magát.
- A legjobb és legbiztonságosabb teljesítmény érdekében tartsa a vágóéleket élesen és tisztán.
- Rendszeresen ellenőriztesse a gépet a szakszervizzel, és végeztesse el a szükséges beállításokat és javításokat.
- A sérült, kopott vagy törött alkatrészt cserélje ki.
- Kövesse a tartozékcsere vonatkozó utasításokat. Kizárólag a gyártó által származó tartozékokat használja.
- Ha nincs használatban, tartsa a terméket, az akkumulátort és az akkumulátortöltőt elkülönítve egy száraz, beltéri és zárt területen. Gondoskodjon róla, hogy gyermekek és felhatalmazással nem bíró személyek ne férhessenek hozzá a termékhez, az akkumulátorhoz és az akkumulátortöltőhöz.

# Összeszerelés

## Bevezető

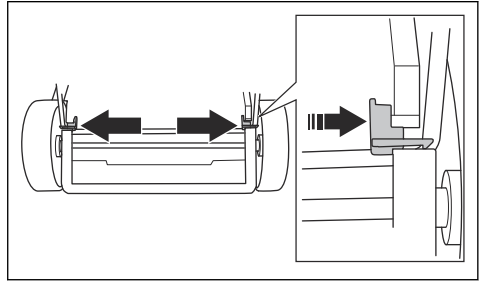


**FIGYELMEZTETÉS:** A termék összeszerelése előtt olvassa el a biztonságra vonatkozó fejezetet.



**FIGYELMEZTETÉS:** A véletlen beindítás elkerülése érdekében az összeszereléskor fordítsa a biztonsági kulcsot „0” állásba, vegye ki az akkumulátort, és várjon legalább 5 másodpercet.

4. Rögzítse a két ütközőt, amelyek lezárják a rudat és a fogantyút. Nyomja teljesen a helyükre az ütközőket.

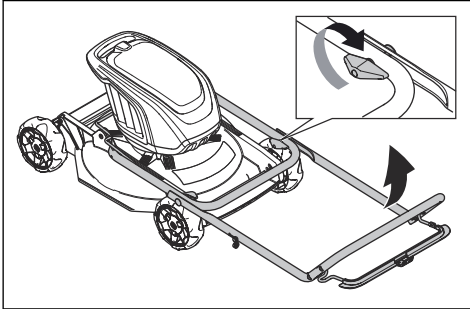


**Megjegyzés:** Két ütköző van, az egyik egy H betűvel, a másik egy V betűvel van jelölve. Helyezze a H betűvel jelölt ütközőt a jobb oldalra, a V betűvel jelölt ütközőt pedig a bal oldalra.

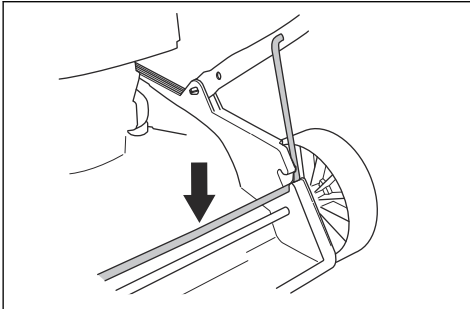


**VIGYÁZAT:** Ne csavarja meg a kábeleket.

1. Igazítsa egymáshoz a felső fogantyúban lévő furatokat és az alsó fogantyúban lévő furatokat.
2. Húzza meg teljesen a gombokat a jobb és a bal oldalon, majd hajtsa fel a fogantyút.



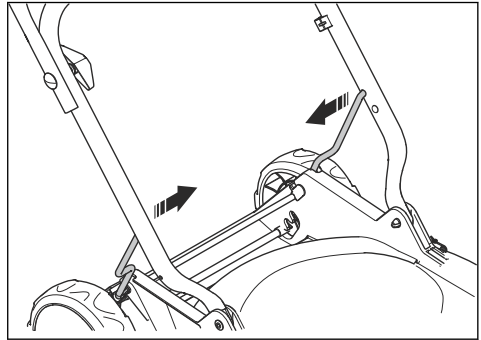
3. Tegye a rudat a vágóburkolat hornyába.



**VIGYÁZAT:** Ne használja a terméket, amíg nincs rögzítve a két ütköző.

## A fogantyúmagasság beállítása

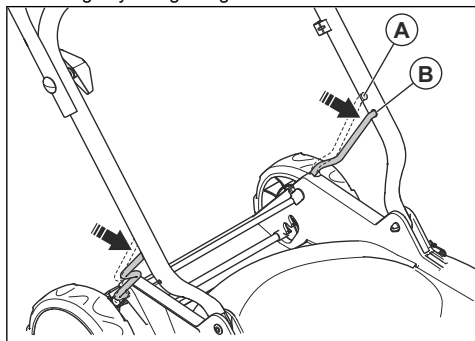
1. Távolítsa el a fogantyútámaszt az alsó fogantyúról.



- a) Illesze a fogantyútámaszt a felső lyukba (A) a fogantyú magasságának csökkentéséhez.



- b) Illessze a fogantyútámaszt az alsó lyukba (B) a fogantyú magasságának növeléséhez.



## Üzemeltetés

### Bevezető



**FIGYELMEZTETÉS:** A termék működtetése előtt el kell olvasnia és meg kell értenie a biztonságról szóló fejezetet.

### Husqvarna Connect

A Husqvarna Connect egy ingyenes mobilalkalmazás. A Husqvarna Connect alkalmazás kibővített funkciókat biztosít Husqvarna termékéhez:

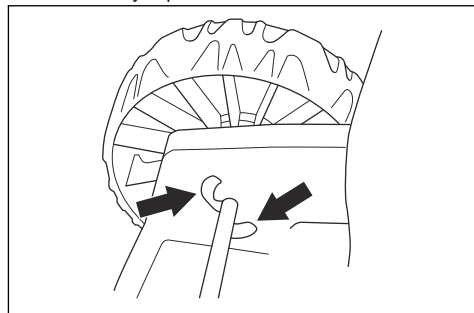
- Bővebb termékinformációk.
- Információk és segítség a termékalkatrészekkel és a szervizeléssel kapcsolatban.

### A Husqvarna Connect használatának megkezdése

1. Töltse le a Husqvarna Connect alkalmazást mobilkészletére.
2. Regisztráljon egy fiókot a Husqvarna Connect alkalmazásban.
3. A termék csatlakoztatásához és regisztrálásához kövesse a Husqvarna Connect alkalmazásban megjelenő utasításokat.

### A vágási magasság beállítása

- Mind a négy kerék esetében nyomja ki a tengelyt és állítsa a helyes pozícióba.



**VIGYÁZAT:** Ne állítsa túl alacsonyra a vágási magasságot. A kések a talajba ütközhetnek, ha a pázsít felülete nem egyenletes.

### Akkumulátor

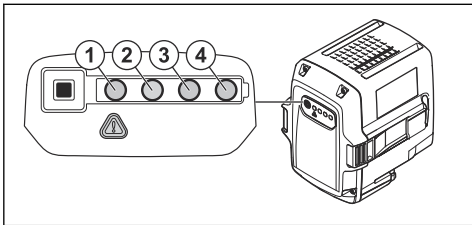


**FIGYELMEZTETÉS:** Az akkumulátor használata előtt el kell olvasnia és meg kell értenie a biztonságról szóló fejezetet. Olvassa el figyelmesen az akkumulátorhoz és az akkumulátortöltőhöz mellékelt használati útmutatót is.

### Akkumulátorállapot

A kijelző jelzi az akkumulátor töltöttségét, valamint azt, hogy van-e valami probléma az akkumulátorral. Az akkumulátortöltöttség jelzése 5 másodpercig látható a termék kikapcsolása, illetve az akkumulátortöltő gomb megnyomása után. Hiba esetén az akkumulátor

figyelmeztető lámpája világít. Lásd: *Akkumulátor262. oldal*on.



LED lámpák	Akkumulátorállapot
Minden LED világít	Teljes töltöttség (75–100%)
Az 1., 2. és 3. LED világít	Az akkumulátor töltöttsége 50–75%-os
Az 1. és 2. LED világít	Az akkumulátor töltöttsége 25–50%-os
Az 1. LED világít	Az akkumulátor töltöttsége 0–25%-os
Az 1. LED villog.	Az akkumulátor lemerült. Tölts fel az akkumulátort.

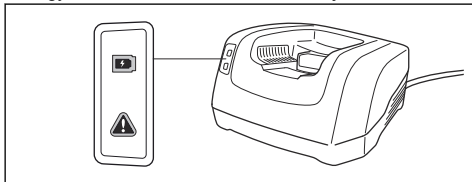
## Az akkumulátor töltése

Az első használat előtt tölts fel az akkumulátort. Az akkumulátor gyárilag csak 30%-ra van feltöltve.

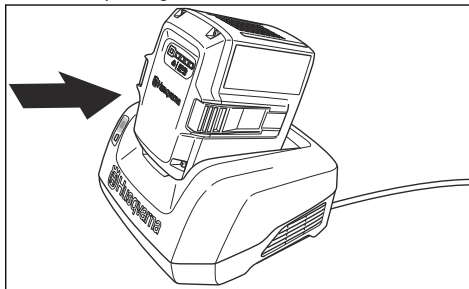
**Megjegyzés:** Az akkumulátortöltőt a típustáblán szereplő feszültségű és frekvenciájú áramforráshoz kell csatlakoztatni.

Ha az akkumulátor hőmérséklete 50 °C felett van, a töltés nem indul el. Az akkumulátortöltő csökkenti az akkumulátor hőmérsékletét, mielőtt megkezdené annak töltését.

1. Csatlakoztassa az akkumulátortöltőhöz való tápkábel egyik végét az akkumulátortöltő aljzatához.
2. Csatlakoztassa az akkumulátortöltőhöz való tápkábel másik végét egy földelt hálózati aljzathoz. Egyszer zölden felvillan a töltő LED-je.



3. Helyezze az akkumulátort a töltőbe. Az akkumulátor és a töltő közötti helyes érintkezésről a töltőn lévő zöld lámpa világítása tanúskodik.



4. Ha az akkumulátoron az összes LED világít, az akkumulátor teljesen fel van töltve. Az akkumulátort legfeljebb 24 óráig tölts.
5. Az akkumulátortöltő fali aljzathoz történő kihúzásához a dugaszt húzza, ne a tápkábelt.
6. Vegye ki az akkumulátort a töltőből.

## Akkumulátortöltési állapot

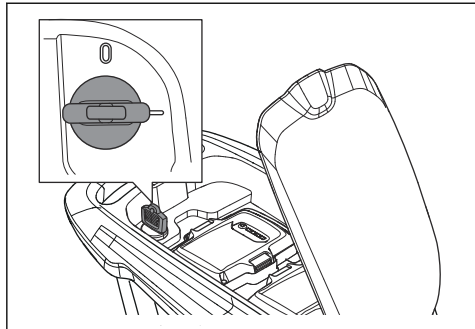
A Husqvarna lítiumion-akkumulátorok bármilyen töltöttségi szintnél tölthetők vagy használhatók. Ez nem árt az akkumulátornak. A teljesen feltöltött akkumulátor a töltőkészülékben hagyva sem veszít a töltöttségéből.

LED-es kijelző	Töltési állapot
Az 1. LED villog.	0%–25%
Az 1. LED világít, a 2. LED villog	25%–50%
Az 1. és 2. LED világít, a 3. LED villog.	50%–75%
Az 1., 2. és 3. LED világít, a 4. LED villog.	75%–100%
Az 1., 2., 3. és 4. LED világít	Teljesen feltöltve

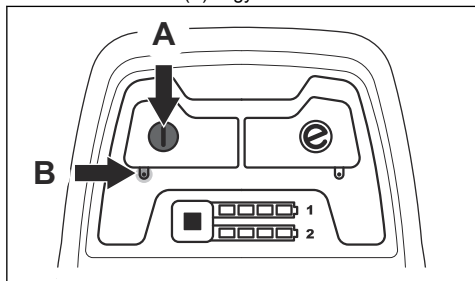
## A termék elindítása

1. Helyezzen egy feltöltött akkumulátort az akkumulátorfedél alatti 1. számú akkumulátorrekeszbe. Hosszabb használati idő esetén tegyen egy második feltöltött akkumulátort a 2. számú akkumulátorrekeszbe.

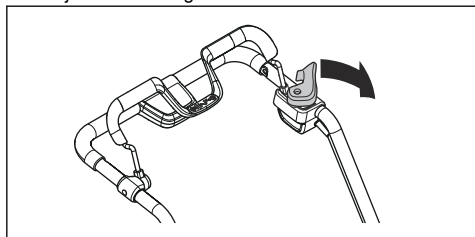
2. Állítsa a biztonsági kulcsot „1” állásba.



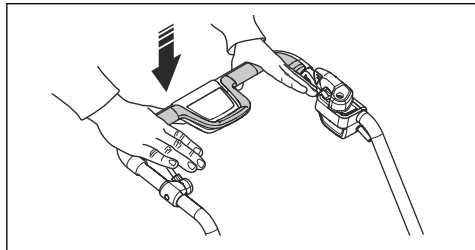
3. Maradjon a termék mögött.
4. Nyomja meg a vezérlőpanel ON/OFF gombját (A), ekkor a zöld LED (B) felgyullad.



5. Oldja ki az indításgátlót.



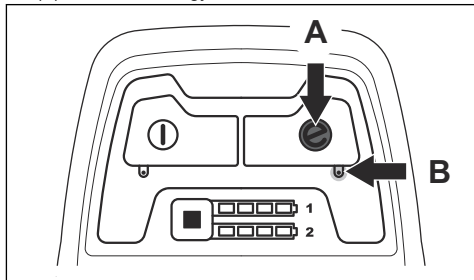
6. Nyomja a motorfékgantyút a fogantyú irányába.



## A SavE funkció használata

A termék akkumulátorkímélő funkcióval (SavE) rendelkezik, amely hosszabb üzemidőt biztosít.

1. A funkció elindításához nyomja meg a SavE gombot (A). A zöld LED felgyullad.



2. A funkció leállításához nyomja meg ismét a SavE gombot. A zöld LED (B) kialszik.

A SavE funkció automatikusan leáll, ha a talajkörülmények nagyobb teljesítményt követelnek meg. A SavE funkció automatikusan bekapcsol, ha a talajkörülmények lehetővé teszik.

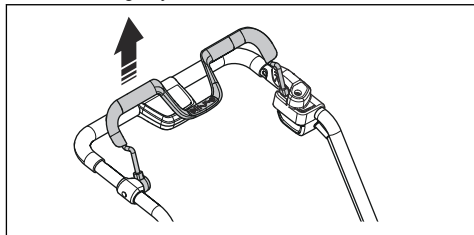
## Nagy terhelésű üzemmód funkció

Ha a termékkel hosszú vagy nedves fűvet vág, a motor automatikusan növeli a fordulatszámot. A motor normál módba tér vissza, ha a nincs szükség nagy terhelésre.

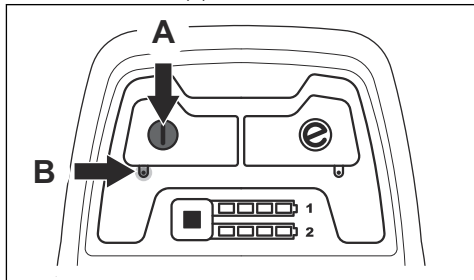
## A termék leállítása

A termék automatikusan leáll, ha 10 percig nem használja. Mindig állítsa a biztonsági kulcsot „0” állásba, ha a terméket felügyelet nélkül hagyja.

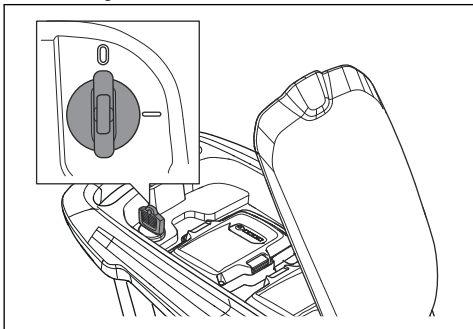
1. A motor leállításához engedje fel a motorfékgantyút.



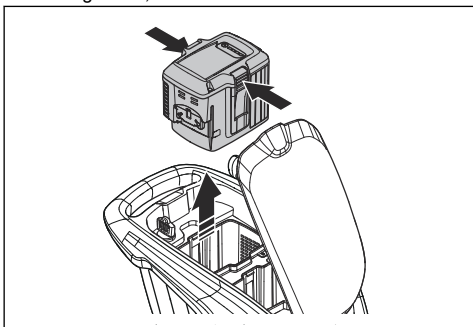
2. Nyomja meg a vezérlőpanel ON/OFF gombját (A), ekkor a zöld LED (B) kialszik.



3. Nyissa fel az akkumulátorfedelelet, és fordítsa a biztonsági kulcsot „0” állásba.



4. Az akkumulátor eltávolításához nyomja meg a két kioldógombot, és húzza ki az akkumulátort.



5. Töltse fel a gyenge töltöttségű akkumulátort. További tudnivalókat lásd: *Az akkumulátor töltése* 258. oldalon.

## Megfelelő eredmény elérése

- Használjon mindig éles kést. A tompa kés egyetlen eredményt ad, és a fű vágási felülete megsárgul. Az éles kés egyben kevesebb energiát igényel, mint a tompa kés.
- Ne nyírjon le többet a fű hosszának  $\frac{1}{3}$ -ánál. Először nagy vágási magasságot állítson be, és úgy nyírjon. Vizsgálja meg az eredményt, és csökkentse a vágási magasságot egy megfelelő szintre. Ha nagyon magas a fű, lassan és szükség esetén 2-szer nyírjon.
- Minden alkalommal más irányban haladjon, hogy ne alakuljanak ki sávok a pázsiton.
- Tartsa tisztán a vágóburkolatot. A vágóburkolat belső oldalán lerakódott fű és szennyeződés ronthatja a vágási eredményt. Lásd: *A termék tisztítása* 261. oldalon.

## Karbantartás

### Bevezető



**FIGYELMEZTETÉS:** Karbantartás előtt el kell olvasnia és meg kell értenie a biztonságról szóló fejezetet.

A gépen végzett minden szerviz- és javítási munkát szakképzettséget igényel. Garantáljuk a professzionális javítások és szervizelés lehetőségét. Ha viszonteladója nem szervizműhely, forduljon hozzájuk a legközelebbi szervizműhellyel kapcsolatban.

### Karbantartási terv

A karbantartási intervallumok meghatározásakor a termék napi használatát feltételeztük. Az intervallum változik, ha a terméket nem napi rendszerességgel használja.

A \*-gal jelölt karbantartásokhoz az utasításokat lásd: *Biztonsági eszközök a terméken* 252. oldalon.

	Minden használat során	Havonta	Évszakként
Végezzen általános ellenőrzés	X		
Tisztítsa meg a terméket	X		
Ellenőrizze az indításgátlót *	X		
Ellenőrizze, hogy nem hibásak-e a termék biztonsági eszközei *	X		

	Minden használat során	Havonta	Évszakonként
Ellenőrizze a vágószerkezetet	X		
Ellenőrizze a vágóburkolatot *	X		
Ellenőrizze a motorfékfogantyút *	X		
Győződjön meg az ON/OFF gomb megfelelő, hibátlan működéséről	X		
Ellenőrizze, nem sérült-e az akkumulátor	X		
Ellenőrizze az akkumulátor töltöttségét	X		
Ellenőrizze, működnek-e az akkumulátor kioldógombjai, és megfelelően rögzül-e az akkumulátor a termékben	X		
Ellenőrizze az akkumulátortöltő épségét; győződjön meg arról, hogy megfelelően működik-e.		X	
Ellenőrizze az akkumulátor és a termék közötti csatlakozásokat. Ellenőrizze az akkumulátor és az akkumulátortöltő közötti csatlakozásokat is.			X

## Általános ellenőrzés

- Ellenőrizze, hogy az anyák és csavarok meg vannak-e szorítva a terméken.
- Ellenőrizze, hogy a termék kábeleli úgy helyezkednek-e el, hogy ne tudjanak megsérülni.

## A termék tisztítása

- A műanyag részeket tiszta, száraz törlőkendővel tisztítsa.
- A termék tisztításához ne használjon vizet. A víz az akkumulátorba vagy a motorba jutva azok rövidzárlatát vagy a termék károsodását okozhatja.
- Ne használjon nagynyomású mosót a termék tisztításához.
- Ne irányítsa a vízsugarat közvetlenül a motorra.
- Kefével távolítsa el a leveleket, a fűvet és az egyéb szennyeződések.

## Az akkumulátor és az akkumulátortöltő tisztítása



**FIGYELMEZTETÉS:** Soha ne tisztítsa vízzel az akkumulátort vagy az akkumulátortöltőt.

- Mielőtt az akkumulátort a töltőkészülékbe helyezné, győződjön meg róla, hogy az akkumulátor és az akkumulátortöltő tiszta és száraz-e.
- Az akkumulátorsaruk tisztítását sűrített levegővel vagy egy puha és száraz ruhával végezze.
- Az akkumulátor és a töltőkészülék felületének tisztítását puha és száraz ruhával végezze.

## A vágószerkezet ellenőrzése



**FIGYELMEZTETÉS:** A véletlen beindítás elkerülése érdekében fordítsa a biztonsági kulcsot „0” állásba, vegye ki az akkumulátort, és várjon legalább 5 másodperct.



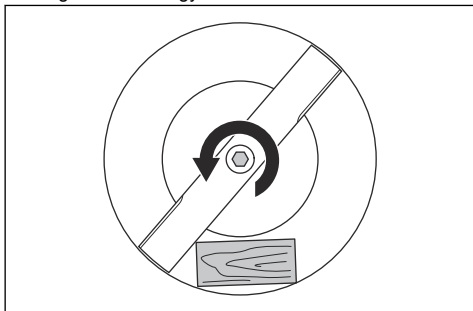
**FIGYELMEZTETÉS:** A vágószerkezet karbantartásakor használjon védőkesztyűt. A kés nagyon éles, könnyen megvághatja magát.

1. Ellenőrizze a vágószerkezetet sérülés, repedés szempontjából. Mindig cserélje ki a sérült vágószerkezetet.
2. Nézze meg a kést, hogy sérült-e vagy tompa-e.

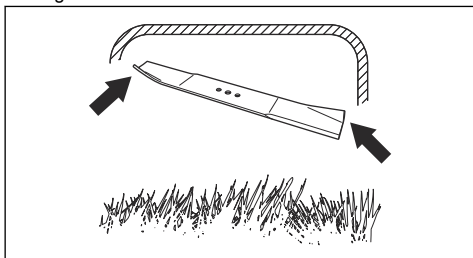
**Megjegyzés:** A kés élezését követően ki kell egyensúlyozni. Végeztesse a kés élezését, cseréjét és kiegyensúlyozását szervizközponttal. Ha olyan akadályba ütközött, amely megállította a terméket, cserélje ki a sérült kést. Vizsgáltsa meg a szervizközpontban, hogy élezhető-e a kés, vagy pedig cserét igényel-e.

## A kés cseréje

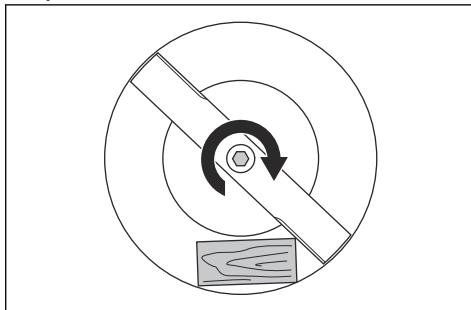
1. Rögzítse a kést egy fadarabbal.



2. Távolítsa el a késtartó csavart.
3. Vegye le a kést.
4. Ellenőrizze a késtámaszt és a késtartó csavart, hogy sérült-e.
5. Ellenőrizze a motor tengelyét, hogy nincs-e meghajolva.
6. Az új kés rögzítésekor a kés ferde vége a vágóburkolat felé nézzen.



7. Győződjön meg róla, hogy a kés igazodik a motortengely középpontjához.
8. Rögzítse a kést egy fadarabbal. Helyezze fel a rugós alátétet, és húzza meg a csavart 23–28 Nm nyomatékkal.



9. Forgassa meg a kést kézzel, és figyelje, hogy szabadon forog-e.



### FIGYELMEZTETÉS:

Használjon strapabíró kesztyűt. A kés nagyon éles, könnyen megvághatja magát.

10. Indítsa be a terméket, hogy tesztelje a kést. Ha a kés nincs megfelelően rögzítve, a termékben rezgés tapasztalható, vagy a vágási eredmény nem kielégítő.

## Hibaelhárítás

### Akkumulátor

LED az akkumulátoron	Ok	Megoldás
A zöld LED villog.	Az akkumulátor feszültsége alacsony.	Töltse fel az akkumulátort. Lásd: <i>Az akkumulátor töltése</i> 258. oldalon.

LED az akkumulátoron	Ok	Megoldás
Villog a hibajelző LED.	Az akkumulátor töltöttségi szintje alacsony.	Töltse fel az akkumulátort. Lásd: <i>Az akkumulátor töltése 258. oldalon.</i>
	A munkakörnyezet hőmérséklete túl magas vagy túl alacsony.	Az akkumulátort -10 °C és 40 °C közötti hőmérsékleten használja.
	Túlfeszültség.	Győződjön meg róla, hogy a hálózati feszültség megegyezik-e a termék adattábláján szereplő feszültségértékkel.  Vegye ki az akkumulátort a töltőből. Várjon 5 másodpercet, majd próbálja újra feltölteni az akkumulátort. Ha a probléma továbbra is fennáll, lépjen kapcsolatba egy hivatalos szakszervizzel.
A hibajelző LED világít.	Túl nagy a cellák közötti különbség (1 V).	Forduljon egy hivatalos szakszervizhez.

## Akkumulátortöltő

LED az akkumulátortöltőn	Ok	Megoldás
Villog a hibajelző LED.	A munkakörnyezet hőmérséklete túl magas vagy túl alacsony.	Az akkumulátortöltőt 5 °C és 40 °C közötti hőmérsékleten használja.
A hibajelző LED világít.		Forduljon egy hivatalos szakszervizhez.

## Vezérlőpanel

A jelen szakaszban nem ismertetett hibák esetén forduljon a szakszervizhez.

Billyentyűzet	Hibakód (villanások száma)	Lehetséges hibák	Lehetséges megoldás
Villog a hibajelző LED	3	A motor túlterhelt	Növelje a vágási magasságot. Lásd: <i>A vágási magasság beállítása</i> 257. oldalon.
	5	A motor fordulatszáma túlságosan lecsökken, végül a motor leáll	
	10	A motor vezérlése túl forró	Állítsa le a motort, és várjon, amíg lehűl
	2	A kés valami akadályozza.	A véletlen beindítás elkerülése érdekében fordítsa a biztonsági kulcsot „0” állásba, vegye ki az akkumulátort, és várjon legalább 5 másodpercet. Győződjön meg róla, hogy a kés szabadon tud forogni. Ha a probléma továbbra is fennáll, lépjen kapcsolatba egy hivatalos szakszervizzel
	9	Akkumulátorhiba, vagy nincs jel az akkumulátortól	Helyezze be megfelelően az akkumulátort, és ellenőrizze az akkumulátorcsatlakozót. Ha az akkumulátoron lévő hibajelző LED villog, lásd: <i>Akkumulátor</i> 257. oldalon.
A termék leáll	8	Az akkumulátor töltöttségi szintje alacsony	Töltse fel az akkumulátort. Lásd: <i>Az akkumulátor töltése</i> 258. oldalon.
	0	Akkumulátorcsatlakozó hiba	Vizsgálja meg az akkumulátor csatlakozóját

## Szállítás, tárolás és ártalmatlanítás

### Bevezető



**FIGYELMEZTETÉS:** A véletlen beindítás elkerülése érdekében szállítás előtt fordítsa a biztonsági kulcsot „0” állásba, vegye ki az akkumulátort, és várjon legalább 5 másodpercet.

### Szállítás

- A mellékelt lítium-ion akkumulátorokra a veszélyes anyagokra vonatkozó jogszabályok követelményei érvényesek.
- Kereskedelmi szállításnál be kell tartani a csomagoláson és címkéken szereplő speciális előírásokat.
- Ügyeljen rá, hogy betartsa a veszélyes anyagokra vonatkozó jogszabályokat a termék szállításra való előkészítéskor. Az esetleges helyi jogszabályokat is be kell tartani.
- Szállításhoz mindig vegye ki az akkumulátort.
- Tegyen ragasztószalagot az akkumulátor csatlakozóira, és gondoskodjon róla, hogy az akkumulátor ne mozdulhasson el a szállítás során.

- Szállításkor rögzítse a terméket.

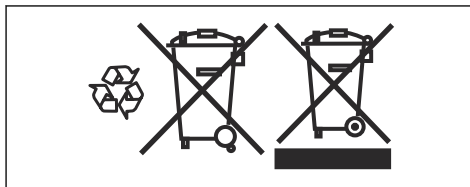
### Tárolás

- Tároláshoz mindig vegye ki az akkumulátort.
- A baleset megelőzése érdekében tároláskor az akkumulátor ne csatlakozzon a termékhez.
- Az akkumulátortöltőt zárt, száraz helyen tárolja.
- Az akkumulátort és az akkumulátortöltőt száraz helyen tárolja, ahol nem alakul ki nedvesség vagy fagy.
- A tárolás során csatlakoztassa le az akkumulátort az akkumulátortöltőtől.
- Ne tartsa az akkumulátort olyan helyen, ahol elektrosztatikus töltés lehet jelen. Ne tartsa az akkumulátort fém dobozban.
- Olyan helyen tárolja az akkumulátort, ahol a hőmérséklet mindig 5 és 25 °C közé esik, és védve van a napfénytől.
- Olyan helyen tárolja az akkumulátortöltőt, ahol a hőmérséklet mindig 5 és 45 °C közé esik, és védve van a napfénytől.



- A hosszú ideig való tárolás előtt győződjön meg róla, hogy az akkumulátor legalább 30–50%-os töltöttségű.
- Tartsa a terméket, az akkumulátort és az akkumulátortöltőt gyermekektől és jogosulatlan személyektől elzárt területen.
- A hosszú ideig való tárolás előtt tisztítsa meg a terméket, és végezze el annak teljes karbantartását.

gyakorolt potenciális negatív hatásokat, amelyeket a termék helytelen hulladékkezelése okozhat. A termék újrahasznosításával kapcsolatban az önkormányzat, a hulladéktalmentesítési szolgáltatást végző vállalkozás, illetve a terméket értékesítő szakkereskedés nyújthat részletesebb tájékoztatást.



## Hulladékként való kezelés

A terméken vagy a csomagolásán található szimbólum azt jelzi, hogy ezt a terméket nem szabad a háztartási hulladék közé helyezni. A megfelelő újrafeldolgozó pontra el kell juttatni az elektromos és elektronikus berendezések hasznosítása érdekében.

A termék megfelelő kezelésének biztosításával segíthet kiküszöbölni azokat a környezetre és az emberre

## Műszaki adatok

	<b>LB 146i</b>
<b>Nyírómotor</b>	
Motortípus	BLDC (kefe nélküli) 36 V
Motor fordulatszáma – SavE, ford./perc	2600
Motor fordulatszáma – Névleges, ford./perc	3000
Motor fordulatszáma – nagy terhelés, ford./perc	3500
Motor teljesítménye – max. kW	1,05
Motor teljesítménye – névleges, kW	0,9
Túláramkorlát (Áramkorlát: 900W-27A)	27 (+/-) 1A
<b>Tömeg</b>	
Tömeg akkumulátor nélkül, kg	16,9
<b>Akkumulátor</b> <sup>45</sup>	
Akkumulátor típusa	Husqvarna akkumulátor sorozat
<b>Akkumulátor üzemi ideje</b>	
Akkumulátor üzemi idő, min., (üresjárat) SavE funkcióval, egy 5,2 Ah-s Husqvarna (BLi200) akkumulátorral.	77
Akkumulátor üzemi idő, min., (üresjárat) normál üzemmódban, egy 5,2 Ah-s Husqvarna (BLi200) akkumulátorral.	45
<b>Zajkibocsátás</b> <sup>46</sup>	
Hangteljesítményszint, mért dB (A) érték	90

<sup>45</sup> A legjobb eredményhez és teljesítményhez a Husqvarna BLi200 akkumulátor ajánlott.

<sup>46</sup> A környezetben a 2000/14/EK sz. EK irányelvvel összhangban hangteljesítményként mért zajkibocsátás ( $L_{WA}$ ).

	<b>LB 146i</b>
Hangteljesítményszint, garantált, L <sub>WA</sub> dB (A)	91
<b>Zajszintek</b> <sup>47</sup>	
Hangnyomásszint a felhasználó fülénél, dB (A)	79
<b>Rezgésszintek</b> <sup>48</sup>	
Fogantyú, m/s <sup>2</sup>	0,9
<b>Vágófelszerelés</b>	
Vágási magasság, mm	35-70 mm
Vágási szélesség, cm	46
Kés	BioClip
Cikkszám	5947022-10

Jóváhagyott akkumulátorok	Típus	Akkumulátor kapacitása, Ah	Feszültség, V	Tömeg, font/kg
BLi20	Lítium-ion	4,0	36	2,6/1,2
BLi200	Lítium-ion	5,2	36	2,8/1,3
BLi300	Lítium-ion	9,4	36	4,2/1,9

A megadott akkumulátorokhoz jóváhagyott töltők, BLi	Bemeneti feszültség, V	Frekvencia, Hz	Teljesítmény, W
QC80	100-240	50-60	100
QC80F	10-15	N/A	95
QC330	100-240	50-60	330
QC500	100-240	50-60	500
40-C80	100-240	50-60	68,8

<sup>47</sup> A zajnyomásszintre vonatkozó jelentési adatok az 1,2 dB (A) tipikus statisztikus ingadozásával (szórásával) rendelkeznek.

<sup>48</sup> A rezgésszintre vonatkozó jelentési adatok 0,2 m/s<sup>2</sup> tipikus statisztikus ingadozással (szórással) rendelkeznek. EN 60335-2-77:2017 vibrációs szabvány, 20.105. fejezet

---

# EK megfeleléségi nyilatkozat

---

## EK megfeleléségi nyilatkozat

A **Husqvarna AB**, SE-561 82 Huskvarna, Svédország, tel: +46-36-146500, kijelenti, hogy a **Husqvarna LB 146i** fűnyírók a 2021 évtől kezdődően megfelelnek az EGK TANÁCSA következő IRÁNYELVEINEK:

- a 2011. június 8-i, „egyes veszélyes anyagok alkalmazásának korlátozására vonatkozó” irányelv **2011/65/EU**
- a 2006. május 17-i, „gépekre vonatkozó” irányelv **2006/42/EK**
- a 2014. február 26-i, „elektromágneses megfelelésséggel kapcsolatos” irányelv **2014/30/EU**
- a 2000. május 8-i, „környezeti zajkibocsátással kapcsolatos” irányelv **2000/14/EK**

A zajkibocsátásra vonatkozó tájékoztatást lásd a Műszaki adatok című fejezetben.

A következő szabványok kerültek alkalmazásra:

**EN 60335-1:2012+A11:2014+A13:2017, EN 60335-2-77:2010, EN 62233:2008, EN 55014-1:2017+A11:2020, EN 55014-2:2015, EN IEC 63000:2018**

Eltérő rendelkezés hiányában a fenti szabványok a legutóbb közzétett verziókat jelölik.

Bejelentett tanúsítási szervezet: **0404, RISE SMP Svensk Maskinprovning AB, Box 7035, SE-750 07 Uppsala** elvégezte a megfeleléségi felmérést a 2000/14/EK irányelv VI. mellékletének megfelelően.

Huskvarna, 2021-10-30



Claes Losdal, Fejlesztési Igazgató/Kertművelési termékek (a Husqvarna AB hivatalos képviselője és a műszaki dokumentációk felelőse)

## Sommario

Introduzione.....	268	Ricerca guasti.....	285
Sicurezza.....	271	Trasporto, stoccaggio e smaltimento.....	286
Montaggio.....	278	Dati tecnici.....	287
Utilizzo.....	279	Dichiarazione di conformità CE.....	289
Manutenzione.....	283		

## Introduzione

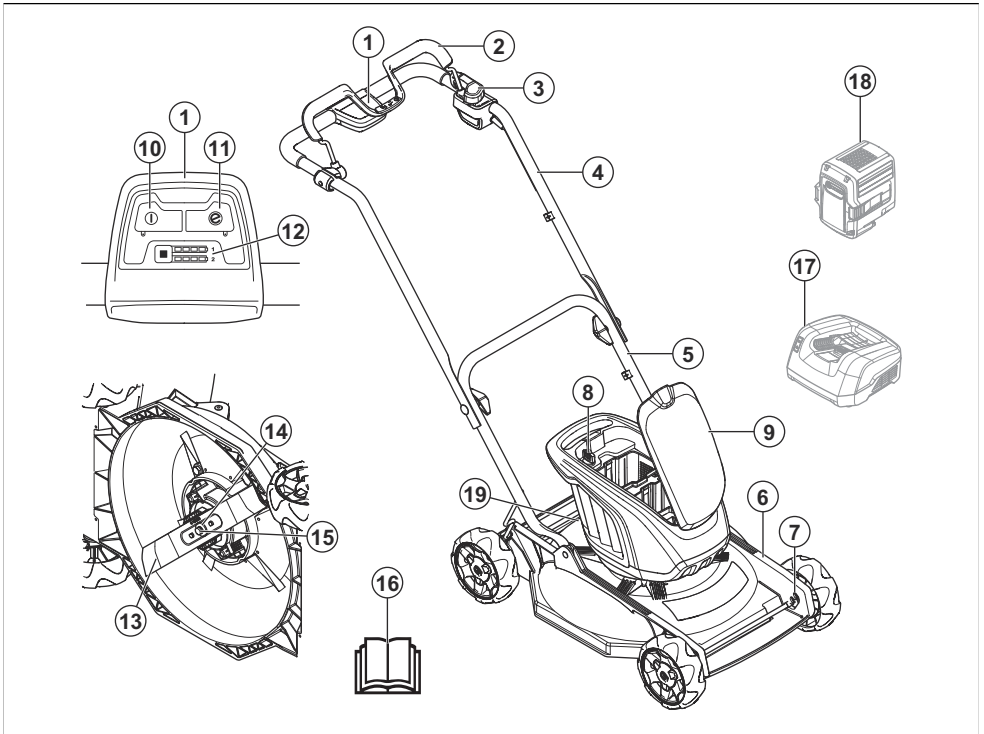
### Descrizione del prodotto

Il prodotto è un rasaerba rotativo con operatore a piedi che utilizza BioClip per tagliare l'erba da utilizzare come fertilizzante.

### Uso previsto

Utilizzare il prodotto per tagliare l'erba. Non utilizzare il prodotto per altre attività.

### Illustrazione del prodotto



- |                                     |   |
|-------------------------------------|---|
| 1. Pannello di comando              | 8. Chiave di sicurezza  |
| 2. Impugnatura del freno motore     | 9. Sportello del vano batterie                                    |
| 3. Inibitore di avviamento          | 10. Pulsante ON/OFF.  |
| 4. Impugnatura superiore            | 11. Pulsante Save   |
| 5. Impugnatura inferiore            | 12. Indicatore di carica della batteria e pulsante della batteria |
| 6. Coperchio di taglio              | 13. Lama  |
| 7. Controllo dell'altezza di taglio |   |

- 14. Rondella elastica
- 15. Bullone lama
- 16. Manuale operatore
- 17. Caricabatterie (accessorio)
- 18. Batteria (accessorio)
- 19. Targhetta di funzionamento con codice QR

## Simboli riportati sul prodotto



**Avvertenza:** L'uso improprio del prodotto può provocare lesioni anche mortali all'operatore o alle persone circostanti.



Prima dell'uso, leggere attentamente il manuale operatore e accertarsi di aver compreso le istruzioni.



Mantenere le persone e gli animali a una distanza di sicurezza dalla zona di lavoro.



Prestare attenzione a oggetti lanciati o rimbalzati.



**Avvertenza:** Tenere mani e piedi lontani dalla lama rotante.



**Avvertenza:** Tenere le mani e i piedi lontani dalle parti rotanti.



Rimuovere la chiave di sicurezza prima di eseguire operazioni di

riparazione o di manutenzione.



Non esporre alla pioggia



Il prodotto o l'imballaggio del prodotto non è un rifiuto domestico. Riciclarlo in una stazione di riciclaggio per apparecchiature elettriche ed elettroniche.



Il prodotto è conforme alle direttive CE vigenti.



Il prodotto è conforme alle direttive dell'Unione doganale eurasiatica vigenti.



Il prodotto è conforme alle direttive UkrSEPRO vigenti.



Il prodotto è conforme alle direttive RCM vigenti. Valide solo per Australia/Nuova Zelanda.



Emissioni di rumore nell'ambiente in base alla direttiva della Comunità Europea. Le emissioni del prodotto sono indicate nel

capitolo Dati tecnici e  
sull'etichetta.

## IPX1 IPX1 - Protezione antigoccia



Procedura di  
avvio: premere  
il pulsante ON/  
OFF, allentare  
l'inibitore di av-  
viamento, pre-  
mere verso il  
basso l'impu-  
gnatura del fre-  
no motore.



Rilasciare l'impugnatura  
del freno motore per  
arrestarlo.

**Nota:** I restanti simboli/decalcomanie sul prodotto  
riguardano particolari requisiti necessari per ottenere la  
certificazione in alcuni mercati.

### Etichetta sul prodotto



PERICOLO - Tenere a distanza mani e piedi.

## Responsabilità del prodotto

Come indicato nelle leggi  
vigenti in materia di  
responsabilità obbligatoria sul  
prodotto, non siamo  
responsabili per eventuali danni  
causati dal nostro prodotto se:

- Il prodotto viene riparato in modo errato.
- Il prodotto viene riparato con parti che non provengono o non sono omologate dal produttore.
- Il prodotto contiene un accessorio che non proviene o non è omologato dal produttore.
- Il prodotto non viene riparato presso un centro di assistenza autorizzato o presso un'autorità competente.

### Definizioni di sicurezza

Le avvertenze, le precauzioni e le note sono utilizzate per evidenziare le parti importanti del manuale.



**AVVERTENZA:** Utilizzato se è presente un rischio di lesioni o morte dell'operatore o di passanti nel caso in cui le istruzioni del manuale non vengano rispettate.



**ATTENZIONE:** Utilizzato se è presente un rischio di danni al prodotto, ad altri materiali oppure alla zona adiacente nel caso in cui le istruzioni del manuale non vengano rispettate.

---

**Nota:** Utilizzato per fornire ulteriori informazioni necessarie in una determinata situazione.

---

### Istruzioni di sicurezza generali



**AVVERTENZA:** Leggere le seguenti avvertenze prima di utilizzare il prodotto.

---

- Questo prodotto è pericoloso se utilizzato in maniera impropria o se non si presta attenzione. La mancata osservanza delle istruzioni di sicurezza può causare lesioni anche fatali.
- Durante il funzionamento, questo prodotto genera un campo elettromagnetico. Tale campo può interferire, in alcuni casi, con persone portatrici di impianti medici attivi o passivi. Per ridurre il rischio di condizioni che possono implicare lesioni gravi o mortali, i portatori di tali impianti devono consultare il proprio medico e il produttore dell'impianto prima di utilizzare questo prodotto.
- Usare la massima cautela e il buon senso. Se non si è sicuri di come utilizzare il prodotto in una particolare situazione, fermarsi e rivolgersi al proprio rivenditore Husqvarna prima di continuare.
- Tenere presente che l'operatore potrà essere ritenuto responsabile di eventuali incidenti che coinvolgano altre persone o i loro beni.

- Tenere pulito il prodotto. Assicurarsi che sia possibile leggere chiaramente simboli e decalcomanie.
- Non consentire mai l'uso dell'apparecchio a bambini o persone che non conoscono le presenti istruzioni. Alcune normative locali possono limitare l'età dell'operatore
- Controllare sempre qualsiasi persona, dalle capacità fisiche o mentali ridotte, che utilizzi il prodotto. È necessaria sempre la supervisione di un adulto responsabile.
- Non utilizzare l'apparecchio quando si è stanchi, ammalati o sotto effetto di alcool, farmaci o medicinali. Essi potrebbero compromettere la vista, l'attenzione, il coordinamento e il giudizio.
- Se difettoso, non utilizzare il prodotto.
- Non modificare il prodotto né utilizzarlo nel caso in cui vi sia la possibilità che sia stato modificato da altri.
- Rimuovere oggetti quali rami, ramoscelli o pietre dall'area di lavoro prima di utilizzare il prodotto.
- Gli oggetti che urtano contro l'attrezzatura di taglio potrebbero essere proiettati e causare danni a cose e persone. Mantenere persone e animali a una distanza di sicurezza dal prodotto.
- Non utilizzare mai il prodotto in condizioni meteorologiche avverse quali nebbia, pioggia, vento forte, freddo intenso e rischio di fulmini. L'uso del prodotto in condizioni meteorologiche avverse o in ambienti umidi è stancante. Condizioni meteorologiche avverse possono causare situazioni di pericolo quali superfici scivolose.
- Prestare attenzione a persone, cose e situazioni che possono impedire un utilizzo sicuro del prodotto.
- Prestare attenzione a ostacoli quali radici, pietre, ramoscelli, fossi e avvallamenti. L'erba alta può nascondere eventuali ostacoli.
- Tagliare l'erba in pendenza può risultare pericoloso. Non utilizzarli su pendii eccessivamente ripidi. Non

## Sicurezza dell'area di lavoro



**AVVERTENZA:** Leggere le seguenti avvertenze prima di utilizzare il prodotto.



utilizzare il prodotto su terreni con pendenze superiori a 15°.

- Procedere con estrema cautela quando si cambia direzione in pendenza. Utilizzare il prodotto trasversalmente lungo i pendii. Non spostarsi seguendo tragitti verso l'alto e verso il basso.
- Prestare attenzione in prossimità di angoli e oggetti nascosti che potrebbero ostacolare la visuale.

## Sicurezza sul lavoro



**AVVERTENZA:** Leggere le seguenti avvertenze prima di utilizzare il prodotto.

- Utilizzare il prodotto esclusivamente per tagliare il prato. Non è consentito utilizzare il prodotto per altri scopi.
- Usare sempre abbigliamento protettivo personale. Vedere *Abbigliamento protettivo personale alla pagina 274*.
- Assicurarsi di saper spegnere il motore rapidamente in caso di emergenza.
- Non utilizzare il prodotto con pioggia o umidità. Il rischio di scosse elettriche aumenta se l'acqua penetra nel prodotto.
- Non azionare il prodotto senza prima aver montato correttamente la lama e tutti i coperchi. Una lama non correttamente fissata potrebbe allentarsi e causare lesioni personali.
- Assicurarsi che la lama non urti oggetti quali pietre e radici. Ciò potrebbe provocare danni alla lama e piegare l'albero motore. Un'asse piegato provoca forti vibrazioni e un alto rischio di allentamento della lama.
- Qualora la lama urti contro un oggetto o all'insorgere di vibrazioni arrestare immediatamente il prodotto. Arrestare il motore, ruotare la chiave di sicurezza su 0 e rimuovere la batteria. Verificare la presenza di eventuali danni al prodotto. Riparare eventuali danni o contattare un'officina autorizzata per far svolgere la riparazione.
- Non fissare l'impugnatura del freno motore in modo permanente al manubrio quando il motore è avviato.
- Posizionare il prodotto su una superficie piana e stabile e

avviarlo. Assicurarsi che la lama non venga a contatto con il terreno o con altri oggetti.

- Collocarsi sempre posteriormente al prodotto quando lo si utilizza.
- Consentire a tutte le ruote di restare a contatto con il suolo e tenere le 2 mani sull'impugnatura mentre si aziona il prodotto. Tenere mani e piedi lontani dalle lame rotanti.
- Non ribaltare il prodotto a motore acceso.
- Prestare attenzione quando si tira il prodotto verso di sé.
- Non sollevare mai il prodotto a motore avviato. Se è necessario sollevare il prodotto, arrestare prima di tutto il motore, poi ruotare la chiave di sicurezza su 0 e rimuovere la batteria.
- Non camminare all'indietro quando si utilizza il prodotto.
- Arrestare il motore quando si attraversano zone prive d'erba quali vialetti in ghiaia, pietra e asfalto.
- Non correre con il prodotto quando il motore è acceso. Camminare sempre durante l'utilizzo del prodotto.
- Arrestare il motore prima di apportare qualsiasi modifica

all'altezza di taglio. Non effettuare mai regolazioni a motore acceso.

- Non perdere mai di vista il prodotto quando il motore è acceso. Arrestare il motore e assicurarsi che l'attrezzatura di taglio non giri.

**Istruzioni di sicurezza per il funzionamento**

### **Abbigliamento protettivo personale**



**AVVERTENZA:** Leggere le seguenti avvertenze prima di utilizzare il prodotto.

---

- L'uso di abbigliamento protettivo personale non elimina il rischio di lesioni, ma ne riduce la gravità in caso di incidente. Farsi consigliare dal rivenditore per la scelta dell'attrezzatura adatta.
- Utilizzare robusti stivali o scarpe antiscivolo. Non utilizzare il prodotto con calzature aperte o a piedi nudi.
- Utilizzare pantaloni lunghi di tessuto pesante.
- Indossare guanti protettivi ove necessario, ad esempio per montare, ispezionare o pulire l'attrezzatura di taglio.

## Dispositivi di sicurezza sul prodotto



**AVVERTENZA:** Leggere le seguenti avvertenze prima di utilizzare il prodotto.

- Non utilizzare un prodotto con dispositivi di sicurezza difettosi.
- Effettuare un controllo dei dispositivi di sicurezza con regolarità. Se i dispositivi di sicurezza sono difettosi, rivolgersi alla propria officina Husqvarna.

### Controllo del coperchio di taglio

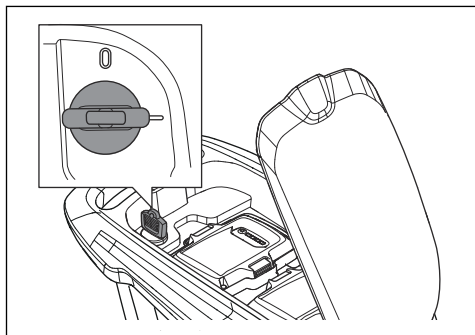
Il coperchio di taglio riduce le vibrazioni del prodotto e il rischio di ferirsi con la lama.

- Esaminare il coperchio di taglio per accertarsi che non presenti danni quali crepe.

### Chiave di sicurezza

La chiave di sicurezza si trova sotto il coperchio della batteria. La chiave di sicurezza si collega alla batteria che alimenta il motore.

- Avviare e arrestare il motore per effettuare un controllo della chiave di sicurezza.
- Se la chiave di sicurezza funziona correttamente, il motore può avviarsi solo quando la chiave di sicurezza è in posizione 1.

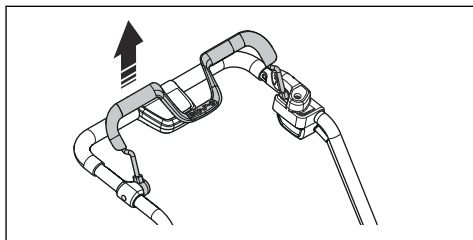


### Impugnatura del freno motore

L'impugnatura del freno motore arresta il motore. Quando si rilascia l'impugnatura del freno motore, il motore si arresta.

Per controllare il freno motore, avviare il motore e quindi rilasciare l'impugnatura del freno motore. Se il motore

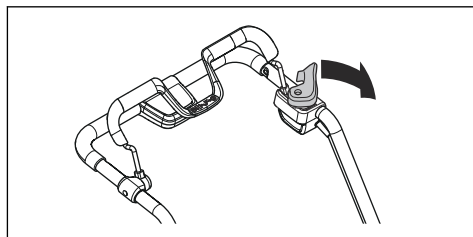
non si arresta entro 3 secondi, far regolare il freno motore presso un'officina Husqvarna autorizzata.



### Per esaminare l'inibitore di avviamento

Effettuare un controllo dell'inibitore di avviamento per accertarsi che impedisca il funzionamento del motore.

1. Spingere l'impugnatura del freno motore in direzione del manubrio. L'inibitore dell'avviamento arresta il movimento.
2. Tirare fuori l'inibitore di avviamento.



3. Rilasciare l'inibitore di avviamento e accertarsi che ritorni nella sua posizione iniziale.

## Sicurezza batterie



**AVVERTENZA:** Leggere le seguenti avvertenze prima di utilizzare il prodotto.

- Utilizzare le batterie ricaricabili Husqvarna come alimentazione per i soli prodotti Husqvarna in questione. Per evitare il rischio di lesioni, non utilizzare la batteria come fonte di

- alimentazione per altri dispositivi.
- Non utilizzare batterie non ricaricabili.
  - Rischio di scosse elettriche. Non collegare i morsetti della batteria a chiavi, monete, viti o altro tipo di metallo. Ciò può causare un corto circuito della batteria.
  - Non inserire oggetti nelle feritoie di aerazione della batteria.
  - Tenere la batteria lontano dalla luce del sole, dal calore o da fiamme libere. La batteria può esplodere e causare bruciature e/o ustioni chimiche.
  - Tenere la batteria lontano da pioggia e umidità.
  - Tenere la batteria lontano da microonde e alta pressione.
  - Non tentare di smontare o rompere la batteria.
  - In caso di perdite dalla batteria, non lasciare che il liquido entri in contatto con il corpo o con gli occhi. In caso di contatto con il liquido, pulire l'area con grandi quantità di acqua e consultare un medico.
  - Utilizzare la batteria a una temperatura compresa tra -10 °C e 40 °C.

- Non pulire la batteria o il caricabatteria con acqua. *Vedere Per pulire la batteria e il caricabatterie alla pagina 283.*
- Non utilizzare una batteria difettosa o danneggiata.
- Conservare le batterie lontano da oggetti metallici, come ad esempio chiodi, monete, gioielli.

### Sicurezza del caricabatterie

---



**AVVERTENZA:** Leggere le seguenti avvertenze prima di utilizzare il prodotto.

---

- Utilizzare i caricabatterie QC per caricare esclusivamente le batterie di ricambio Husqvarna.
- Rischio di scosse elettriche o cortocircuiti. Non inserire oggetti nelle feritoie di aerazione del caricabatterie. Non tentare di smontare il caricabatterie. Non collegare i terminali del caricabatterie a oggetti metallici. Utilizzare una presa di rete omologata.
- Durante il funzionamento, questo prodotto genera un campo elettromagnetico. Tale campo può interferire, in alcuni casi, con persone portatrici di

impianti medici attivi o passivi. Per ridurre il rischio di condizioni che possono implicare lesioni personali gravi o fatali, i portatori di tali impianti devono consultare il proprio medico e il produttore dell'impianto prima di utilizzare questo prodotto.

- Verificare regolarmente che il cavo di alimentazione del caricabatterie non sia danneggiato e che non vi siano crepe.
- Non sollevare il caricabatterie tramite il cavo di alimentazione. Per scollegare il caricabatterie da una presa di rete, tirare la spina. Non tirare il cavo di alimentazione.
- Tenere il cavo di alimentazione e le prolunghie lontani da acqua, olio e bordi appuntiti. Fare attenzione affinché il cavo non si incastri in porte, ostacoli o simili. Questo potrebbe causare scosse elettriche al contatto con il caricabatterie.
- Non pulire il caricabatterie con acqua.
- Il caricabatterie può essere utilizzato da bambini a partire da 8 anni di età e da parte di persone con ridotte capacità fisiche, sensoriali o mentali,

oppure con mancanza di esperienza e conoscenza, se vengono controllati o ricevono istruzioni sull'utilizzo sicuro del caricabatterie e se comprendono i rischi. I bambini non devono giocare con il caricabatterie. La pulizia e la manutenzione non devono essere eseguite da bambini senza la supervisione di adulti.

- Non caricare batterie non ricaricabili nel caricabatterie.
- Non utilizzare il caricabatterie in prossimità di materiali infiammabili o materiali corrosivi. Non coprire il caricabatterie. Staccare la spina del caricabatterie in caso di fumo o incendio.
- Non utilizzare un caricabatterie difettoso o danneggiato.
- Caricare la batteria solo in luoghi chiusi, in una stanza con un buon flusso d'aria e lontano dalla luce del sole. Non caricare la batteria in condizioni di umidità.

### Istruzioni di sicurezza per la manutenzione



**AVVERTENZA:** Leggere le seguenti avvertenze prima di utilizzare il prodotto.

---

- Per evitare l'avviamento accidentale durante la manutenzione, ruotare la chiave di sicurezza su 0 e rimuovere la batteria. Attendere almeno 5 secondi prima di iniziare la manutenzione.
- Eseguire gli interventi di manutenzione correttamente in modo da aumentare la durata di vita del prodotto e ridurre il rischio di incidenti. Affidare le riparazioni professionali a un'officina autorizzata. Per ulteriori informazioni, rivolgersi all'officina più vicina.
- Eseguire esclusivamente gli interventi di manutenzione riportati nel presente manuale operatore. Per operazioni di maggiore entità, rivolgersi a un'officina autorizzata.
- Indossare guanti per lavori pesanti quando si utilizza l'attrezzatura di taglio. La lama è molto affilata e ci si può ferire facilmente.
- Mantenere i bordi taglienti affilati e puliti per prestazioni più sicure e ottimali
- Far esaminare regolarmente il prodotto da un'officina per messe a punto e riparazioni necessarie.
- Sostituire le parti danneggiate, usurate o rotte.
- Rispettare le istruzioni per la sostituzione degli accessori. Utilizzare solo accessori del produttore.
- Quando non in uso, tenere il prodotto, la batteria e il caricabatterie lontano in un luogo all'interno, chiuso a chiave e asciutto. Assicurarsi che i bambini e le persone non autorizzate non abbiano accesso al prodotto, alla batteria o al caricabatterie.

---

## Montaggio

---

### Introduzione



**AVVERTENZA:** Prima di montare il prodotto, leggere il capitolo sulla sicurezza.



**AVVERTENZA:** Per evitare l'avviamento accidentale durante il montaggio, ruotare la chiave di sicurezza su 0, rimuovere la batteria e attendere almeno 5 secondi.

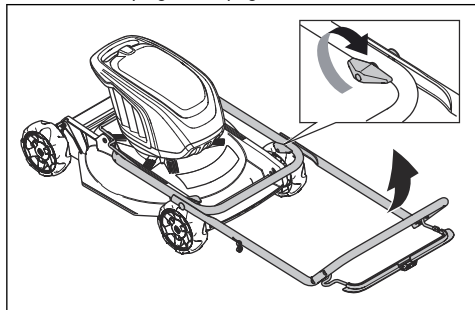
### Per montare l'impugnatura



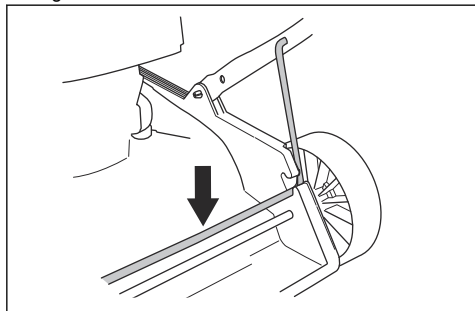
**ATTENZIONE:** Non attorcigliare i cavi.

1. Allineare i fori dell'impugnatura superiore con i fori dell'impugnatura inferiore.

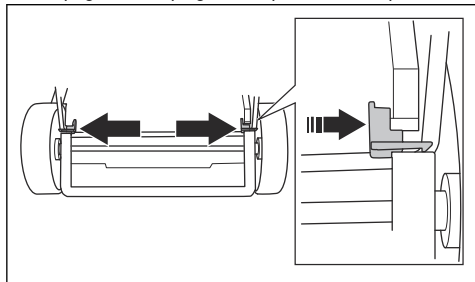
2. Serrare completamente le manopole sul lato destro e sinistro e piegare l'impugnatura verso l'alto.



3. Inserire il fermo nella scanalatura sul coperchio di taglio.



4. Montare i 2 finecorsa che bloccano il fermo e l'impugnatura. Spingerli completamente in posizione.



**Nota:** Sono presenti 2 finecorsa, uno contrassegnato con la lettera H e l'altro con la lettera

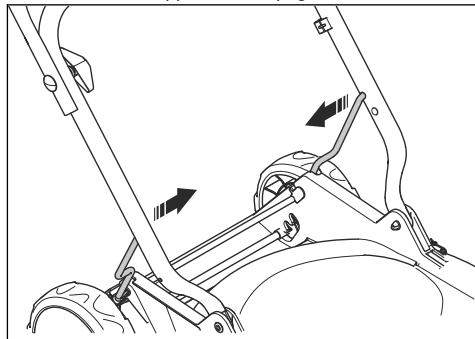
- V. Montare il finecorsa con la lettera H sul lato destro e il finecorsa con la lettera V sul lato sinistro.



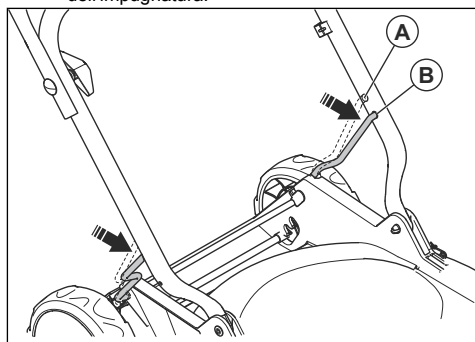
**ATTENZIONE:** Non utilizzare il prodotto se i 2 finecorsa non sono montati.

## Regolazione dell'altezza dell'impugnatura

1. Rimuovere il supporto dall'impugnatura inferiore.



- a) Inserire il supporto dell'impugnatura nel foro superiore (A) per ridurre l'altezza dell'impugnatura.  
b) Inserire il supporto dell'impugnatura nel foro inferiore (B) per aumentare l'altezza dell'impugnatura.



## Utilizzo

### Introduzione



**AVVERTENZA:** Prima di utilizzare il prodotto, è necessario leggere e comprendere il capitolo relativo alla sicurezza.

### Husqvarna Connect

Husqvarna Connect è un'app gratuita per i dispositivi mobili. L'app Husqvarna Connect fornisce funzioni estese per il prodotto Husqvarna:

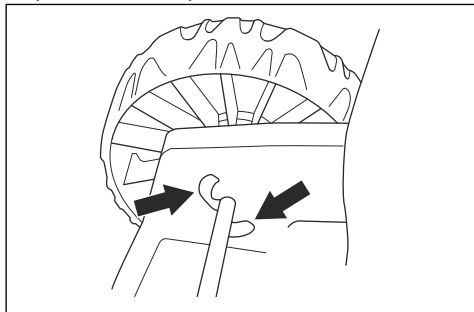
- Informazioni aggiuntive sul prodotto.
- Dettagli, guida, parti del prodotto e manutenzione.

## Primo utilizzo Husqvarna Connect

1. Scaricare l'app Husqvarna Connect sul proprio dispositivo mobile.
2. Registrarsi nell'app Husqvarna Connect.
3. Attenersi alle istruzioni dell'app Husqvarna Connect per collegare e registrare il prodotto.

## Per impostare l'altezza di taglio

- Spingere l'albero verso l'esterno e spostarlo nella posizione corretta per ciascuna delle 4 ruote.



**ATTENZIONE:** Non impostare l'altezza di taglio troppo in basso. Se la superficie del prato non è piana, le lame possono urtare il terreno.

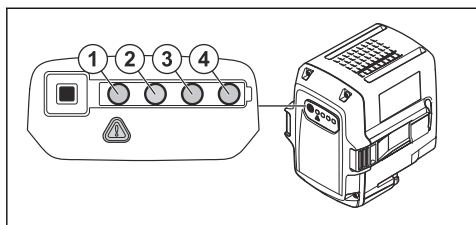
## Batteria



**AVVERTENZA:** Prima di utilizzare la batteria, leggere e comprendere il capitolo sulla sicurezza. È inoltre importante leggere e comprendere il manuale operatore della batteria e del caricabatterie.

## Stato della batteria

Il display mostra la capacità residua della batteria e se sussistono problemi con la batteria stessa. La capacità della batteria viene visualizzata per 5 secondi dopo lo spegnimento del prodotto o dopo aver premuto il pulsante di indicatore di batteria. Il simbolo d'avvertenza sulla batteria si accende quando si verifica un errore. Vedere *Batteria* alla pagina 285.



Spie LED	Stato della batteria
Tutti i LED accesi	Completamente carica (75-100%)
LED 1, LED 2, LED 3 accesi	La batteria è carica al 50%-75%
LED 1, LED 2 accesi	La batteria è carica al 25%-50%
LED 1 acceso.	La batteria è carica allo 0%-25%.
LED 1 lampeggia.	La batteria è scarica. Caricare la batteria.

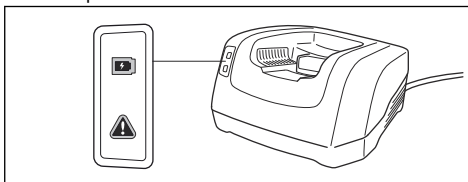
## Per caricare la batteria

Caricare la batteria prima del primo utilizzo. Quando viene fornita al cliente, la batteria è carica solo al 30%.

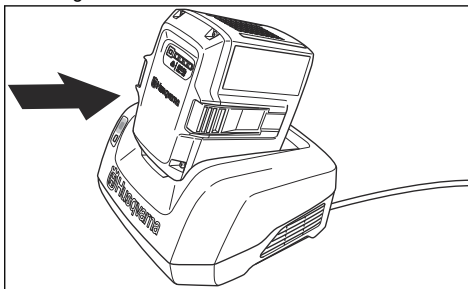
**Nota:** Il caricabatterie deve essere collegato alla rete elettrica e alla frequenza indicate sulla targhetta dati di funzionamento.

La batteria non si ricarica se la sua temperatura è superiore a 50°C. Il caricabatterie riduce la temperatura della batteria prima di iniziare la ricarica.

1. Collegare un'estremità del cavo di alimentazione del caricabatterie alla presa del caricabatterie.
2. Collegare l'altra estremità del cavo di alimentazione del caricabatterie ad una presa di corrente con messa a terra. Il LED sul caricabatterie lampeggia verde per una volta.



3. Inserire la batteria nel caricabatterie. La luce verde sul caricabatterie si accende quando la batteria è collegata correttamente al caricabatterie.





- Quando tutti i LED sulla batteria sono accesi, la batteria è completamente carica. Caricare la batteria per massimo 24 ore.
- Per scollegare il caricabatterie dalla presa di rete, estrarre la spina e non il cavo di alimentazione.
- Rimuovere la batteria dal caricabatterie.

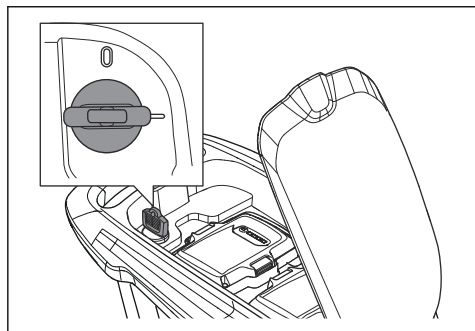
### Stato di ricarica della batteria

È possibile utilizzare o caricare una batteria agli ioni di litio Husqvarna a tutti i livelli di carica. La batteria non viene danneggiata. Una batteria completamente carica non diminuisce la carica se lasciata nel caricabatterie.

Display a LED	Livello di carica
LED 1 lampeggia.	0%-25%
LED 1 acceso, LED 2 lampeggia.	25%-50%
LED 1, LED 2 accesi, LED 3 lampeggia.	50%-75%
LED 1, LED 2, LED 3 accesi, LED 4 lampeggia.	75%-100%
LED 1, LED 2, LED 3, LED 4 accesi	Completamente carica

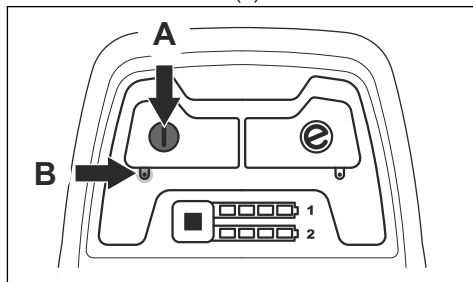
### Avviamento dell'unità

- Inserire una batteria carica nel vano batteria numero 1, sotto il coperchio della batteria. Per tempi di funzionamento più lunghi, mettere una seconda batteria carica nel vano batteria numero 2.
- Ruotare la chiave di sicurezza su 1.

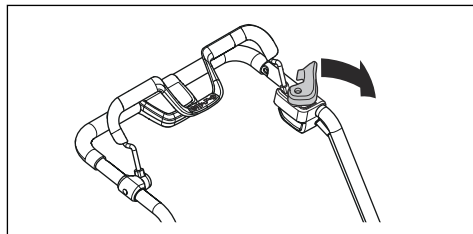


- Collocarsi dietro il prodotto.

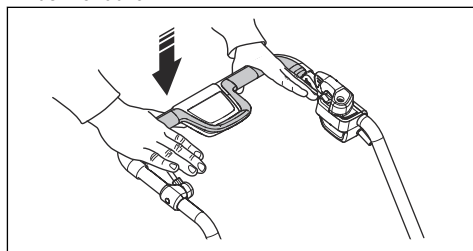
- Premere il pulsante ON/OFF (A) sul pannello di controllo e il LED verde (B) si accende.



- Allentare l'inibitore di avviamento.



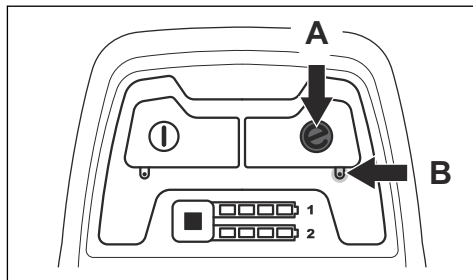
- Spingere l'impugnatura del freno motore in direzione del manubrio.



### Per utilizzare la funzione SavE

Il prodotto dispone di una funzione di risparmio batteria (SavE) che permette tempi di funzionamento più lunghi.

- Premere il pulsante SavE (A) per avviare la funzione. Il LED verde si accende.



- Premere nuovamente il pulsante SavE per arrestare la funzione. Il LED verde (B) si spegne.

La funzione SavE si arresta automaticamente se le condizioni del terreno rendono necessaria una resa superiore. La funzione SavE si avvia automaticamente quando le condizioni del terreno lo consentono.

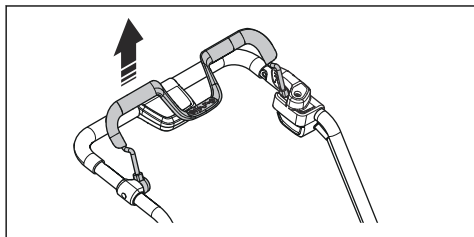
## Funzione carico elevato

Quando il prodotto taglia erba lunga o umida, il motore aumenta automaticamente i giri/min. Il motore torna alla modalità standard quando il carico elevato non è necessario.

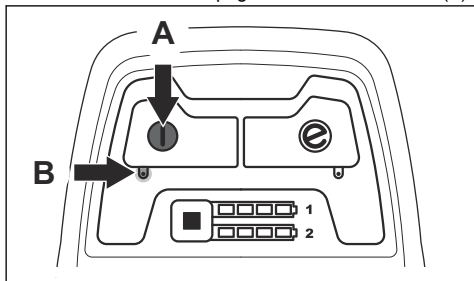
## Arresto dell'unità

Il prodotto si arresta automaticamente se rimane non utilizzato per 10 minuti. Ruotare sempre la chiave di sicurezza in posizione 0 prima di lasciare incustodito il prodotto.

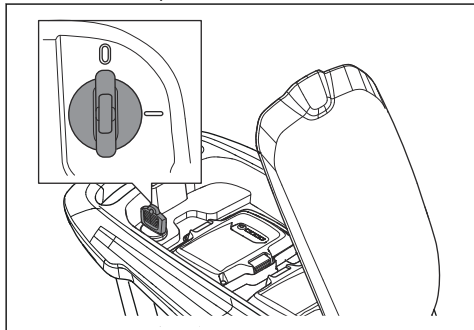
1. Rilasciare l'impugnatura del freno motore per arrestare il motore.



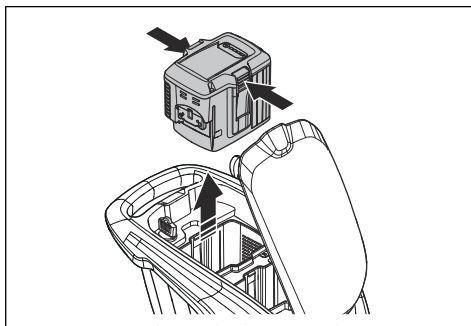
2. Tenere premuto il pulsante ON/OFF (A) sul pannello di comando fino allo spegnimento del LED verde (B).



3. Aprire il coperchio della batteria e ruotare la chiave di sicurezza in posizione 0.



4. Per rimuovere la batteria, premere i due pulsanti di rilascio ed estrarre la batteria.



5. Caricare la batteria se è debole. Per ulteriori informazioni, vedere *Per caricare la batteria alla pagina 280*.

## Per ottenere un buon risultato

- Utilizzare sempre una lama ben affilata. Una lama non tagliente fornisce un risultato irregolare e la superficie di taglio dell'erba ingiallisce. Una lama affilata inoltre consuma minore energia di una lama affilata.
- Non tagliare più di  $\frac{1}{3}$  dell'altezza dell'erba. Iniziare l'operazione di taglio impostando l'altezza di taglio su un livello alto. Esaminare il risultato e ridurre l'altezza di taglio al livello applicabile. Se l'erba è molto alta, procedere lentamente e tagliarla 2 volte, se necessario.
- Tagliare sempre in direzioni diverse per evitare il formarsi di strisce sul prato.
- Mantenere pulito il coperchio di taglio. L'accumulo di erba e sporcizia sul lato interno del coperchio di taglio può ridurre il risultato del taglio. Fare riferimento a *Per pulire il prodotto alla pagina 283*.

# Manutenzione

## Introduzione



**AVVERTENZA:** Prima di svolgere la manutenzione, leggere e comprendere il capitolo relativo alla sicurezza.

Per tutti gli interventi di assistenza e riparazione sul prodotto, è necessaria una formazione specifica. La nostra azienda garantisce la disponibilità di personale qualificato per le riparazioni e l'assistenza. Se non avete acquistato il prodotto presso un rivenditore dotato di

officina, informatevi sull'ubicazione della più vicina officina autorizzata.

## Programma di manutenzione

Gli intervalli di manutenzione sono calcolati sulla base di un uso quotidiano del prodotto. Gli intervalli cambiano se il prodotto non viene usato quotidianamente.

Per gli interventi di manutenzione contrassegnati con il simbolo \*, vedere le istruzioni in *Dispositivi di sicurezza sul prodotto alla pagina 275*.

	A ciascuna utilizzazione	Una volta al mese	Ogni stagione
Svolgere un'ispezione generale	X		
Pulire il prodotto	X		
Eseguire un controllo dell'inibitore di avviamento *	X		
Accertarsi che i dispositivi di sicurezza del prodotto non siano difettosi *	X		
Controllare l'attrezzatura di taglio	X		
Controllare il coperchio di taglio *	X		
Controllare l'impugnatura del freno motore *	X		
Accertarsi che il pulsante ON/OFF funzioni correttamente e che non sia difettoso	X		
Controllare la presenza di eventuali danni alla batteria	X		
Effettuare un controllo dello stato di carica della batteria	X		
Accertarsi che i pulsanti di rilascio sulla batteria funzionino correttamente e che tengano la batteria bloccata sul prodotto.	X		
Controllare che il caricabatterie non sia danneggiato e che funzioni correttamente.		X	
Controllare i collegamenti tra la batteria e il prodotto. Controllare anche il collegamento tra la batteria e il caricabatterie.			X

## Per effettuare un'ispezione generale

- Controllare che tutti i dadi e le viti del prodotto siano ben serrati.
- Accertarsi che i cavi del prodotto non sono in una posizione in cui possono danneggiarsi.

## Per pulire il prodotto

- Pulire le parti in plastica con un panno pulito e asciutto.
- Non utilizzare acqua per pulire il prodotto. L'acqua può penetrare nella batteria o nel motore e causare un corto circuito o danni al prodotto.

- Non utilizzare una lancia ad alta pressione per pulire il prodotto.
- Non dirigere getti d'acqua sul motore.
- Utilizzare una spazzola per rimuovere foglie, erba e sporcizia.

## Per pulire la batteria e il caricabatterie



**AVVERTENZA:** Non pulire la batteria o il caricabatterie con acqua.

- Accertarsi che la batteria e il caricabatterie siano puliti e asciutti prima di inserire la batteria nel caricabatterie.
- Pulire i terminali della batteria con aria compressa o con un panno morbido e asciutto.
- Pulire le superfici della batteria e del caricabatterie con un panno morbido e asciutto.

## Per controllare l'attrezzatura di taglio



**AVVERTENZA:** Per evitare l'avviamento accidentale, ruotare la chiave di sicurezza su 0, rimuovere la batteria e attendere almeno 5 secondi.



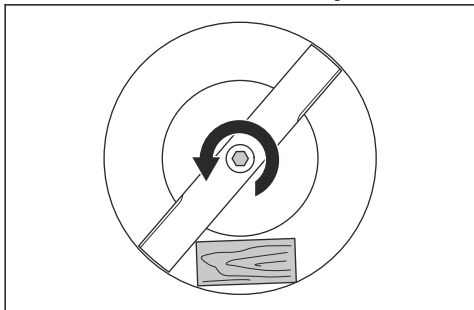
**AVVERTENZA:** Indossare guanti protettivi quando si esegue la manutenzione dell'attrezzatura di taglio. La lama è molto affilata e ci si può ferire facilmente.

1. Controllare l'attrezzatura di taglio per individuare danni o crepe. Sostituire sempre l'attrezzatura di taglio danneggiata.
2. Osservare la lama per controllare che non sia danneggiata o usurata.

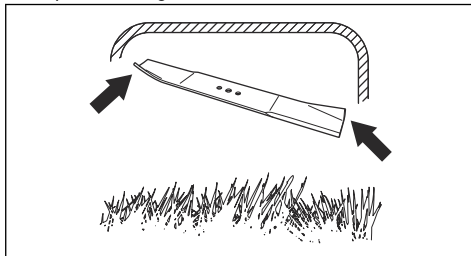
**Nota:** Dopo l'affilatura la lama deve essere bilanciata. Rivolgersi a un centro assistenza per l'affilatura, la sostituzione e il bilanciamento. Se si urta un ostacolo che provoca l'arresto del prodotto, sostituire la lama danneggiata. Il centro di assistenza può valutare se la lama può essere affilata o deve essere sostituita.

## Per sostituire la lama

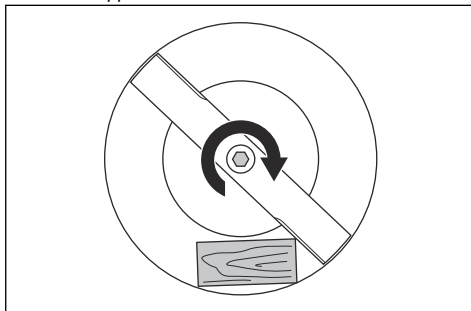
1. Bloccare la lama con un blocco di legno.



2. Rimuovere il bullone della lama.
3. Rimuovere la lama.
4. Esaminare il supporto e il bullone della lama per verificare la presenza di eventuali danni.
5. Esaminare l'albero motore per accertarsi che non sia piegato.
6. Quando si fissa la nuova lama, assicurarsi che le estremità inclinate della lama puntino in direzione del coperchio di taglio.



7. Assicurarsi che la lama sia allineata con il centro dell'albero motore.
8. Bloccare la lama con un blocco di legno. Inserire la rondella reggispinta e serrare il bullone e la rondella a una coppia di 23–28 Nm.



9. Girare manualmente la lama per verificare che possa ruotare liberamente.



**AVVERTENZA:** Utilizzare dei guanti da lavoro spessi. La lama è molto affilata e ci si può ferire facilmente.

10. Avviare il prodotto per eseguire una prova della lama. Se la lama non è collegata correttamente, si verificano delle vibrazioni nel prodotto o il risultato del taglio è insoddisfacente.

---

## Ricerca guasti

---

### Batteria

LED della batteria	Causa	Soluzione
Il LED verde lampeggia.	La tensione della batteria è bassa.	Caricare la batteria. Fare riferimento a <i>Per caricare la batteria alla pagina 280</i> .
Il LED di errore lampeggia.	La batteria è scarica.	Caricare la batteria. Fare riferimento a <i>Per caricare la batteria alla pagina 280</i> .
	La temperatura nell'ambiente di lavoro è troppo alta o troppo bassa.	Utilizzare la batteria a una temperatura compresa tra -10 °C e 40 °C.
	Sovratensione.	Controllare che la tensione di rete corrisponda a quella indicata sull'etichetta del prodotto. Rimuovere la batteria dal caricabatterie. Attendere 5 secondi e riprovare a caricare la batteria. Se il problema persiste, contattare un'officina autorizzata.
Il LED di errore è acceso.	La differenza delle celle è eccessiva (1 V).	Contattare un'officina autorizzata.

### Caricabatterie

LED del caricabatterie	Causa	Soluzione
Il LED di errore lampeggia.	La temperatura nell'ambiente di lavoro è troppo alta o troppo bassa.	Utilizzare il caricabatterie a una temperatura compresa tra 5°C e 40°C.
Il LED di errore è acceso.		Contattare un'officina autorizzata.

### Pannello di comando

Per risolvere problemi diversi da quelli riportati in questa sezione, contattare la propria officina.

Tastiera	Codice di errore (Numero di lampeggi)	Possibili guasti	Possibile soluzione
Il LED di errore lampeggia	3	Il motore è sovraccarico	Aumentare l'altezza di taglio. Vedere <i>Per impostare l'altezza di taglio alla pagina 280</i> .
	5	La velocità del motore diminuisce eccessivamente e il motore si arresta	
	10	Il comando del motore è troppo caldo	Arrestare il motore e attendere che si raffreddi
	2	La lama è bloccata	Per evitare l'avviamento accidentale, ruotare la chiave di sicurezza su 0, rimuovere la batteria e attendere almeno 5 secondi. Accertarsi che la lama possa ruotare liberamente. Se il problema persiste, contattare un'officina autorizzata.
	9	Errore batteria o nessun segnale dalla batteria	Inserire correttamente la batteria nel prodotto e controllare il connettore della batteria. Se il LED di errore della batteria lampeggia, vedere <i>Batteria alla pagina 280</i> .
Il prodotto si arresta	8	La batteria è debole	Caricare la batteria. Vedere <i>Per caricare la batteria alla pagina 280</i> .
	0	Guasto del connettore della batteria	Esaminare il connettore della batteria

## Trasporto, stoccaggio e smaltimento

### Introduzione



**AVVERTENZA:** Per evitare l'avviamento accidentale durante il trasporto, ruotare la chiave di sicurezza su 0, rimuovere la batteria e attendere almeno 5 secondi.

### Trasporto

- I requisiti di legge sulle merci pericolose si applicano alle batterie agli ioni di litio incluse.
- Rispettare i requisiti speciali riportati sulla confezione e sulle etichette per il trasporto commerciale.
- Durante la preparazione al trasporto del prodotto, attenersi alle normative relative ai materiali pericolosi. Possono essere in vigore alcune normative locali.
- Rimuovere sempre la batteria per il trasporto.
- Applicare del nastro sui connettori della batteria e assicurarsi che la batteria rimanga fissa in posizione durante il trasporto.
- Fissare il prodotto durante il trasporto.

### Conservazione

- Rimuovere sempre la batteria per lo stoccaggio.
- Per evitare incidenti, assicurarsi che la batteria non sia collegata al prodotto una volta riposto.
- Conservare il caricabatterie in un ambiente chiuso e asciutto.
- Conservare la batteria e il caricabatterie in un luogo asciutto, privo di umidità e protetto dal gelo.
- Scollegare la batteria dal caricabatterie durante lo stoccaggio.
- Non conservare la batteria in aree elettricamente statiche. Non conservare mai la batteria in una scatola di metallo.
- Conservare la batteria a una temperatura compresa tra 5 °C e 25 °C e non esposta alla luce del sole.
- Conservare il caricabatterie a una temperatura compresa tra 5 °C e 45 °C e non esposto alla luce del sole.
- Accertarsi che la batteria sia carica al 30% - 50% prima di riporla per lunghi periodi.
- Conservare il prodotto, la batteria e il caricabatterie in un luogo chiuso a chiave, fuori dalla portata di bambini e di persone non autorizzate.

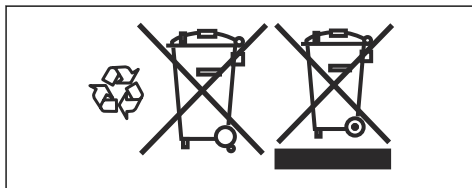
- Pulire il prodotto ed eseguire una manutenzione completa prima di riporlo per lunghi periodi.

## Smaltimento

I simboli sul prodotto o sull'imballaggio indicano che il presente prodotto non può essere trattato come rifiuto domestico. Deve essere portato presso un centro di raccolta specializzato nel recupero di apparecchiature elettriche ed elettroniche.

Trattando questo prodotto correttamente, si contribuisce a contrastare il potenziale impatto negativo sull'ambiente e sulle persone che può altrimenti sortire da una

gestione impropria del prodotto come rifiuto. Per informazioni più dettagliate sul riciclaggio di questo prodotto, contattare l'autorità municipale, il servizio rifiuti domestici o il punto vendita in cui è stato acquistato.



## Dati tecnici

	LB 146i
<b>Motore di taglio</b>	
Tipo di motore	BLDC (senza spazzole) 36V
Velocità del motore – SavE, giri/min	2600
Velocità del motore – Nominale, giri/min	3000
Velocità del motore – Carico elevato, giri/min	3500
Potenza del motore - max kW	1,05
Potenza del motore - Nominale, kW	0,9
Limite sovracorrente (Limite di corrente: 900W-27A)	27 (+/-) 1A
<b>Peso</b>	
Peso senza batteria, kg	16,9
<b>Batteria</b> <sup>49</sup>	
Tipo di batteria	Serie a batteria Husqvarna
<b>Prestazione della batteria</b>	
Prestazione della batteria, min, (free run) con modalità SavE attivata, con una batteria Husqvarna da 5,2 Ah (BLi200).	77
Prestazione della batteria, min, (free run) con modalità standard attivata, con una batteria Husqvarna da 5,2 Ah (BLi200).	45
<b>Emissioni di rumore</b> <sup>50</sup>	
Livello di potenza acustica, misurato dB (A)	90
Livello acustico, garantito L <sub>WA</sub> dB(A)	91
<b>Livelli di rumorosità</b> <sup>51</sup>	
Livello di pressione sonora all'orecchio dell'operatore, dB (A)	79

<sup>49</sup> Per risultati e prestazioni ottimali, si consiglia l'utilizzo della batteria BLi200 Husqvarna.

<sup>50</sup> Emissioni di rumore nell'ambiente misurate come potenza sonora (L<sub>WA</sub>) in base alla direttiva CE 2000/14/CE.

<sup>51</sup> I dati riportati per il livello di pressione acustica hanno una dispersione statistica tipica (deviazione standard) di 1,2 dB(A).

	<b>LB 146i</b>
<b>Livelli di vibrazioni</b> <sup>52</sup>	
Impugnatura, m/s <sup>2</sup>	0,9
<b>Attrezzatura di taglio</b>	
Altezza di taglio, mm	35-70 mm
Larghezza di taglio, cm	46
Lama	BioClip
Codice articolo	5947022-10

Batterie approvate	Tipo	Capacità batteria, Ah	Tensione, V	Peso, lb/kg
BLi20	Ioni di litio	4,0	36	2,6/1,2
BLi200	Ioni di litio	5,2	36	2,8/1,3
BLi300	Ioni di litio	9,4	36	4,2/1,9

Caricabatteria omologati per le batterie specificate, BLI	Tensione di entrata, V	Frequenza, Hz	Potenza, W
QC80	100-240	50-60	100
QC80F	10-15	N/D	95
QC330	100-240	50-60	330
QC500	100-240	50-60	500
40-C80	100-240	50-60	68,8

<sup>52</sup> I dati riportati per il livello di vibrazioni presentano una dispersione statistica tipica (deviazione standard) di 0,2 m/s<sup>2</sup>. Vibrazioni standard EN 60335-2-77:2017 capitolo 20.105



---

# Dichiarazione di conformità CE

---

## Dichiarazione di conformità CE

**Husqvarna AB**, SE-561 82 Huskvarna, Svezia, tel.: +46-36-146500, dichiara che il **rasaerba Husqvarna LB 146i**, a partire dall'anno 2021 in poi, è conforme alle norme previste nelle seguenti DIRETTIVE DEL CONSIGLIO:

- dell'8 giugno 2011 sulla "restrizione dell'uso di determinate sostanze pericolose". **2011/65/UE**
- del 17 maggio 2006 "sulle macchine" **2006/42/CE**
- del 26 febbraio 2014 "sulla compatibilità elettromagnetica" **2014/30/UE**
- dell'8 maggio 2000 "sulle emissioni di rumore nell'ambiente" **2000/14/CE**

Per informazioni sulle emissioni acustiche, consultare i Dati tecnici.

Sono state applicate le seguenti norme:

**EN 60335-1:2012+A11:2014+A13:2017, EN 60335-2-77:2010, EN 62233:2008, EN 55014-1:2017+A11:2020, EN 55014-2:2015, EN IEC 63000:2018**

Se non diversamente specificato, le norme sopra elencate sono le ultime versioni pubblicate.

Organo competente: **0404, RISE SMP Svensk Maskinprovning AB, Box 7035, SE-750 07 Uppsala** ha effettuato la valutazione di conformità ai sensi della direttiva 2000/14/CE, allegato VI.

Huskvarna, 2021-10-30



Claes Losdal, Responsabile sviluppo/Prodotti per il giardino (rappresentante autorizzato per Husqvarna AB e responsabile della documentazione tecnica)

## 目次

はじめに.....	290	トラブルシューティング.....	305
安全性.....	292	搬送、保管、廃棄.....	307
組立.....	299	主要諸元.....	307
Operation( 動作 ).....	300	EC 適合宣言.....	310
メンテナンス.....	303		

## はじめに

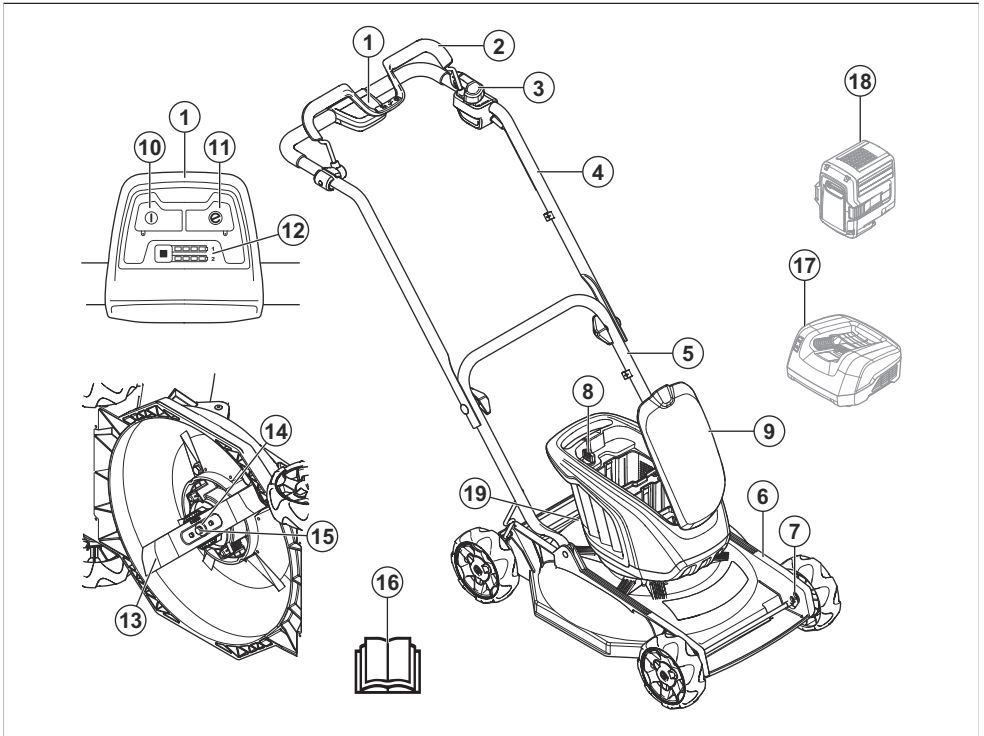
### 製品の説明

本製品は、BioClip により刈った芝を堆肥化できる手押し式ロータリー芝刈機です。

### 用途

本製品は芝刈り用です。他の作業に本製品を使用しないでください。

### 製品の概要



1. コントロールパネル
2. モーターブレーキハンドル
3. 始動抑制装置
4. 上部ハンドル
5. 下部ハンドル
6. カuttingカバー
7. 刈高制御

8. 安全キー
9. バッテリーカバー
10. オン / オフボタン
11. SavE ボタン
12. バッテリー充電インジケータおよびバッテリーボタン
13. ブレード
14. スプリングワッシャー

- 15. ブレードボルト
- 16. 取扱説明書
- 17. バッテリー充電器 (別売り)
- 18. バッテリー (別売り)
- 19. QRコード付き銘板

## 製品に表記されるシンボルマーク



**警告：**不注意な取り扱いや誤った取扱いは作業員や周囲の人などに傷害を与え、時には致命的な傷害を引き起こすことがあります。



この取扱説明書をよくお読みになり、内容をしっかりと把握したうえで、使用してください。



作業領域と人や動物の間に安全な距離を保ってください。



飛び散ったり跳ね返ったりする物体に気を付けてください。



**警告：**回転しているブレードに手や足を近づけないでください。



**警告：**回転部品に手や足を近づけないでください。



修理やメンテナンスを行う前に、安全キーを取り外してください。



雨が当たらないようにしてください。



本製品や本製品のパッケージは、一般廃棄物ではありません。電気・電子機器のリサイクル業者にリサイクルを依頼してください。



本製品は EC 指令適合製品です。



本製品はユーラシア関税同盟指令適合製品です。



本製品は UkrSEPRO 指令適合製品です。



本製品は RCM 指令適合製品です。オーストラリア / ニュージーランドのみ対象



環境に対する騒音レベルは EC 指令に準拠しています。本製品の排出レベルは、主要諸元の章とステッカーに記載されています。

## IPX1

IPX1 (防滴 1 形) - 滴水保護



始動手順：  
ON/OFF ボタンを押して、始動抑制装置を外し、モーターブレーキハンドルを下方へ押しします。



モーターブレーキハンドルを放すと、モーターは停止します。

**注記：** 本製品に付いている他のシンボル / 銘板は、一部の市場地域に向けた認定条件を示します。

## 本製品のラベル



危険 - 手や足を近づけないでください。

## 製造物責任

製造物責任法に基づき、当社は、次の場合については本製品を原因とする損傷について責任を負いません。

- 本製品が誤って修理された場合。
- メーカーによるものではない部品、またはメーカーの認可していない部品を使用して本製品を修理した場合。
- メーカーによるものではないアクセサリ、またはメーカーの認可していないアクセサリを本製品に使用した場合。
- 認定サービスセンターまたは認定機関で本製品が修理されていない場合。

## 安全性

### 安全性の定義

警告、注意、注記は、取扱説明書の特に重要な部分を示しています。



**警告：** 取扱説明書の指示に従わない場合、使用者が負傷したり、死亡したりするか、あるいは付近の人に損傷を与える危険

があることを意味します。



**注意：** 取扱説明書の指示に従わない場合、製品や他の物品、または隣接するエリアに損傷を与える危険があることを意味します。

注記：特定の状況で必要とされる詳細情報を提供するために使用されます。

## 一般的な安全注意事項



**警告：**本製品を使用する前に、以下の警告指示をお読みください。

- 本製品は、慎重かつ適切に使用しないと、危険な道具となります。安全注意事項に従わないと、負傷や死亡事故が発生するおそれがあります。
- 本製品では、運転中に電磁場が発生します。この電磁場は、ある条件下でアクティブ、またはパッシブな医療用インプラントに影響を及ぼすことがあります。深刻な傷害または致命傷の危険を避けるため、医療用インプラントを使用している方は、本製品を使用する前に主治医および医療用インプラントの製造元に相談することをお勧めします。
- 常に常識に基づいて注意して使用してください。特殊な状況での本製品の操作方法がわからない場合、作業を続ける前に本製品を停止して、Husqvarna 販売店までご連絡ください。
- 第三者やその所有物が事故に関係する場合、その責任は、作

業者にあることを忘れないでください。

- 本製品は清潔に保ってください。標識やラベルがはっきりと読み取れるようにしてください。
- 子供や使用方法に習熟していない人には本製品を使用させないでください。居住地の法規によっては、使用者の年齢制限がある場合があります。
- 身体的、精神的にハンデを負った人が本製品を使用する場合は常に監視してください。責任を有する大人が常にそばにいる必要があります。
- 疲労時、疾病時、アルコールや医薬品の影響が残っているときは、本製品を使用しないでください。視力、注意力、動作、判断力に悪影響を与えます。
- 本製品に不具合がある場合は使用しないでください。
- 本製品を改造しないでください。また、本製品が改造されている可能性がある場合は使用しないでください。

## 作業エリアの安全



**警告：**本製品を使用する前に、以下の警告指示をお読みください。

- 本製品を使用する前に、大小の枝や石などの物体を作業範囲から取り除いてください。

## 安全な作業



**警告：** 本製品を使用する前に、以下の警告指示をお読みください。

- カutting装置にぶつかった物体がはじかれて、人が怪我をしたり物が損傷したりするおそれがあります。本製品から周囲の人や動物との安全な距離を保ってください。
- 霧、雨、強風、極寒、雷の危険などの悪天候下で本製品を使用しないでください。悪天候下や、湿気のある場所、濡れた場所で本製品を使用すると疲労します。悪天候の場合、路面が滑りやすくなるなど、危険な状態を引き起こすことがあります。
- 製品の安全な操作を妨げる可能性がある人、物、状況に注意してください。
- 根、石、小枝、窪み、溝などの障害物に注意してください。長い芝の中に障害物が隠れていることがあります。
- 斜面で芝を刈ることは危険を伴います。急斜面の芝を刈ることはできません。15°を超える斜面では本製品を使用しないでください。
- 斜面で向きを変える場合は、細心の注意を払ってください。斜面を横切りながら本製品を操作してください。上下に移動しないでください。
- 陰になった隅や視界を遮るものに近づくときは気を付けてください。
- 本製品は芝生刈りにのみ使用してください。他の作業には使用できません。
- 身体保護具を使用してください。使用者の身体保護具 295 ページを参照してください。
- 緊急時にモーターをすばやく停止する方法を必ず確認してください。
- 雨降りや湿潤な環境下で本製品を操作しないでください。本製品に水が入ると、感電の危険性が高まります。
- ブレードやすべてのカバーを適切に装着してから本製品を始動させてください。ブレードが適切に装着されていないと、緩んで、怪我をすることがあります。
- ブレードが石や根などの物体にぶつからないように気を付けてください。ブレードが損傷したり、モーターシャフトが曲がったりするおそれがあります。シャフトが曲がると振動が激しくなり、ブレードが緩む危険性が非常に高くなります。
- ブレードが物に当たったり振動が発生したりした場合は、す

- ぐに本製品を停止してください。モーターを停止し、安全キーを0の位置に回してバッテリーを取り外します。製品に損傷がないか点検します。損傷部を修復するか、正規サービス代理店に修理を依頼してください。
- モーターの始動時は、モーターブレーキハンドルをハンドルに完全に固定しないでください。
- 製品を平らで安定した面に置き、始動します。ブレードが地面やその他の物に触れないよう、注意してください。
- 本製品の操作時は、必ず製品の後ろに立ってください。
- 製品を操作するときは、すべてのホイールを地面につけ、両手でハンドルをつかんで操作してください。回転しているブレードに手や足を近づけないでください。
- モーターの作動中は、本製品を傾けないでください。
- 製品を後方に引くときは注意してください。
- モーターの作動中は、本製品を持ち上げないでください。本製品を持ち上げる必要がある場合は、まずモーターを停止させ、安全キーを0の位置に回してバッテリーを取り外してください。
- 本製品を操作するときは、後ろ向きに歩かないでください。
- 砂利、石、アスファルトなど、芝面以外の領域を横切るときは、モーターを停止してください。
- モーターの作動中は、本製品を操作しながら走らないでください。製品を操作するときは、必ず歩いてください。
- 刈高を変更する場合は、まずモーターを停止してください。モーターが作動している状態での調整は決して行わないでください。
- モーターが作動している状態で、見えない場所に製品を放置しないでください。モーターを停止し、カッティング装置が回転していないことを確認してください。

#### 操作のための安全注意事項

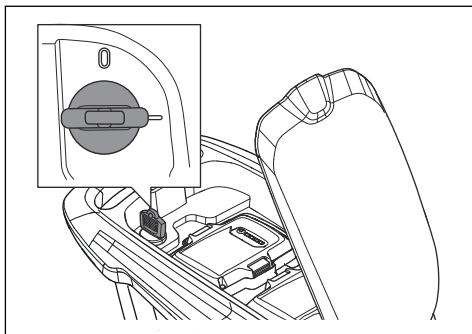
#### 使用者の身体保護具



**警告：** 本製品を使用する前に、以下の警告指示をお読みください。

- 身体保護具で怪我を完全に防止できるわけではありませんが、万が一事故が起こった場合、負傷の度合いを軽減することができます。適切な保護具の選択については、販売店にご相談ください。

- 丈夫で滑りくいブーツや靴を着用してください。開放部の多い靴を使用したり、裸足で作業を行ったりしないでください。
- 厚手の長ズボンを着用してください。
- カutting装置の取り付け、点検、清掃を行う場合は、必要に応じて保護グローブを着用してください。



#### モーターブレーキハンドル

モーターブレーキハンドルは、モーターを停止させるためのものです。モーターブレーキハンドルを放すと、モーターが停止します。

モーターブレーキを点検するには、モーターを始動してから、モーターブレーキハンドルを放します。モーターが3秒で停止しない場合は、Husqvarnaの認証サービス代理店にモーターブレーキの調整を依頼してください。

#### 本製品の安全装置



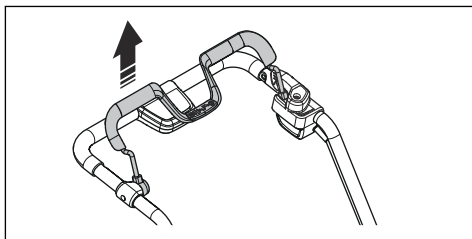
**警告**：本製品を使用する前に、以下の警告指示を読んでください。

- 安全装置に欠陥のある製品は使用しないでください。
- 安全装置は定期的に点検してください。安全装置に欠陥がある場合は、Husqvarna サービス代理店にご相談ください。

#### カuttingカバーの点検方法

カuttingカバーは、本製品の振動を抑え、ブレードで負傷する危険性を低減します。

- カuttingカバーを点検して、亀裂などの損傷がないことを確認してください。



#### 安全キー

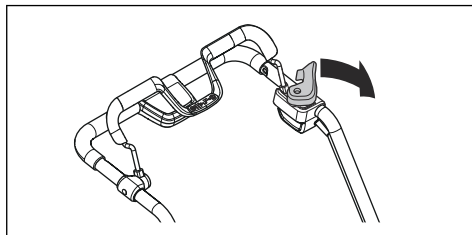
安全キーはバッテリーカバーの下にあります。安全キーは、電源を供給するバッテリーとモーターを接続します。

- 安全キーを点検するには、モーターを始動および停止します。
- 安全キーが正しく機能している場合は、安全キーが1の位置にあるときにのみモーターが始動します。

#### 始動抑制装置の点検

始動抑制装置を点検して、モーターの作動を抑制することを確認します。

1. ハンドルバーの方向にモーターブレーキハンドルを押します。始動抑制装置により動きが停止します。
2. 始動抑制装置を押します。



3. 始動抑制装置を放して、最初の位置に戻ることを確認します。



## バッテリーの安全



**警告：** 本製品を使用する前に、以下の警告指示をお読みください。

- Husqvarna 充電式バッテリーは、対応する Husqvarna 製品の電源としてのみ使用してください。負傷を防止するため、他の装置の電源は使用しないでください。
- 充電式ではないバッテリーは使用しないでください。
- 感電するおそれがあります。バッテリーの端子を鍵や硬貨、ネジや他の金属に接触させないでください。バッテリーが短絡する原因になります。
- バッテリーのエアスロットに物が入らないようにしてください。
- バッテリーは直射日光や熱、裸火から保護してください。バッテリーが爆発して、やけどや化学熱傷を負うおそれがあります。
- バッテリーは雨や湿気から保護してください。
- バッテリーは電子レンジや高圧から保護してください。
- バッテリーを分解もしくは粉砕しないでください。
- バッテリーから漏れが発生した場合、身体や目に液体が触れないようにしてください。液

体が人体に触れた場合は、触れた個所を大量の水で洗い流して、医療機関に相談してください。

- バッテリーは  $-10^{\circ}\text{C}$  ~  $40^{\circ}\text{C}$  の温度で使用してください。
- バッテリーまたはバッテリー充電器は、水で洗淨しないでください。バッテリーとバッテリー充電器の清掃方法 304 ページを参照してください。
- 不具合や損傷のあるバッテリーは使用しないでください。
- バッテリーは、くぎ、硬貨、宝飾品などの金属から遠ざけて保管してください。

## バッテリー充電器の安全性



**警告：** 本製品を使用する前に、以下の警告指示をお読みください。

- Husqvarna 交換用バッテリーの充電には、QC バッテリー充電器のみを使用してください。
- 感電や短絡のおそれがあります。充電器のエアスロットに物が入らないようにしてください。バッテリー充電器を分解しないでください。充電器の端子を金属物体へ接触させないでください。認定された主電源ソケットを使用してください。
- 本製品では、運転中に電磁場が発生します。この電磁場は、あ

る条件下でアクティブ、またはパッシブな医療用インプラントに影響を及ぼすことがあります。深刻な傷害または致命傷の危険を避けるため、医療用インプラントを使用している方は、本製品を使用する前に主治医および医療用インプラントの製造元に相談することをお勧めします。

- 定期的に充電器の電源コードを点検し、破損や亀裂がないことを確認してください。
- 電源コードを持ってバッテリー充電器を持ち上げないでください。主電源ソケットからバッテリー充電器を取り外す際は、プラグを引っ張ってください。電源コードを引っ張らないでください。
- 電源コードと延長ケーブルが、水や油、または尖った物に接触しないようにしてください。ドア、フェンスなどにケーブルが挟まっていないことを確認してください。充電器に通電する可能性があります。
- バッテリー充電器を、水で洗浄しないでください。
- このバッテリー充電器は、8才以上の子供、身体的、知覚的、精神的障害のある方、または経験や知識のない方でも、バッテリー充電器の安全な使用に関する監督または指示を受け、関連する危険について理解すれ

ば使用できません。充電器を小児の遊具にしないでください。クリーニングおよびメンテナンスは、保護者による監視のない限り、小児に行わせてはいけません。

- 充電不可能なバッテリーを本バッテリー充電器で充電しないでください。
- 可燃性の物質や、腐食の原因となる物質の近くでは、バッテリー充電器を使用しないでください。バッテリー充電器にカバーをかけないでください。煙や火災が発生した場合、バッテリー充電器の電源プラグをコンセントから引き抜いてください。
- 故障または破損したバッテリー充電器は使用しないでください。
- バッテリーは、通気がよく直射日光が当たらない室内でのみ充電してください。濡れた状態でバッテリーを充電しないでください。

## メンテナンスのための安全注意事項



**警告：** 本製品を使用する前に、以下の警告指示をお読みください。

- メンテナンス中に誤って始動しないようにするために、安全キーを0の位置に回して、バッ

テリーを取り外します。5 秒以上待ってから、メンテナンスを開始してください。

- 適切にメンテナンス作業を実施すると、製品の寿命が延び、事故のリスクを低減することができます。認定サービス代理店に専門的な修理を依頼してください。詳しくは、最寄りのサービス代理店までお問い合わせください。
- 本取扱説明書に記載されているメンテナンスのみを実施してください。本書に記載されている内容以外のメンテナンスは、必ず認定サービス代理店に依頼してください。
- カutting装置を取り扱う際は、丈夫な作業用手袋を着用してください。ブレードは非常に鋭利なため、切り傷を負う危険性があります。

- 最も安全で最良の性能を実現するために、カuttingエッジを目立てし、清潔に保ってください。
- サービス代理店に本製品の定期検査を依頼し、必要な調整や修理を受けてください。
- 損傷、摩耗、破損した部品は交換してください。
- アクセサリーの交換は、手順に従って実施してください。純正のアクセサリーのみを使用してください。
- 操作しないときは、製品、バッテリー、バッテリー充電器を乾燥した、屋内の鍵のかかる場所に保管してください。子供や許可されていない人が、製品、バッテリー、バッテリー充電器に近づけないようにしてください。

## 組立

### はじめに



**警告：** 製品を組み立てる前に、安全の章をよく読んでください。



**警告：** 組み立て中に誤って始動しないようにするために、安全キーを 0 の位置に回し、バッテリーを取り外してから最低 5 秒間待ってください。

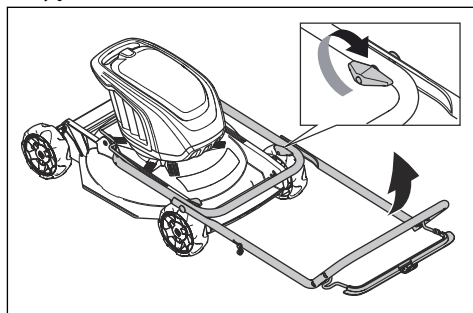
### ハンドルの組み立て方法



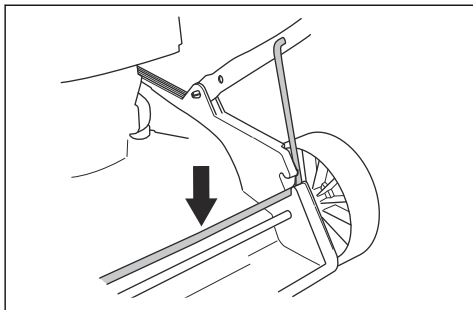
**注意：** ケーブルをねじらないでください。

1. 上部ハンドルの穴と下部ハンドルの穴の位置を合わせます。

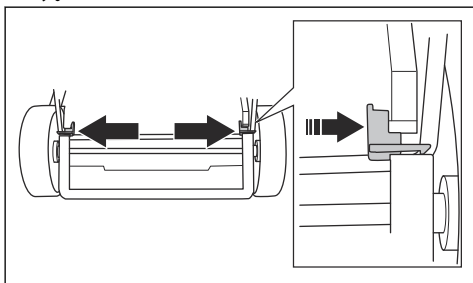
2. 左右のノブを完全に締め、ハンドルを上方に上げます。



3. カッティングカバーの溝にステイをはめます。



4. ステイとハンドルをロックするための留め具を2カ所に取り付けます。最後までしっかりと押し込みます。



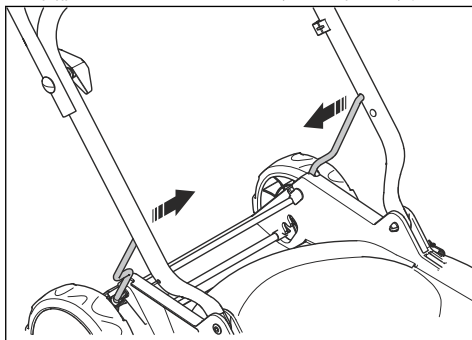
**注記：** 留め具は2つあり、1つにはH、もう1つにはVという印があります。Hの留め具を右側に、Vの留め具を左側に取り付けます。



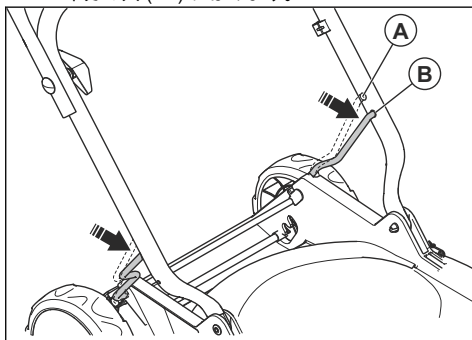
**注意：** 留め具2つを取り付けていない場合は、本製品を使用しないでください。

## ハンドルの高さの調節方法

1. 下部ハンドルからハンドルステイを外します。



- ハンドルの高さを下げるには、ハンドルステイを上方の穴(A)にはめます。
- ハンドルの高さを上げるには、ハンドルステイを下方の穴(B)にはめます。



## Operation ( 動作 )

### はじめに



**警告：** 本製品を操作する前に、安全に関する章をお読みになり、内容を理解してください。

### Husqvarna Connect

Husqvarna Connect は、モバイルデバイス用の無料アプリです。Husqvarna Connect アプリは、お持ちのHusqvarna 製品の拡張機能を提供します。

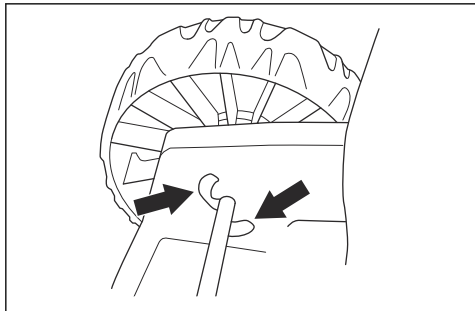
- 拡張製品情報。
- 製品の部品とサービスに関する情報とヘルプ。

### Husqvarna Connect の使い方

- Husqvarna Connect アプリをモバイルデバイスにダウンロードします。
- Husqvarna Connect アプリで登録を行います。
- Husqvarna Connect アプリの指示に沿って、製品を接続して登録します。

## 刈高の設定方法

- シャフトを押して、4つのホイールをそれぞれ正しい位置に移動します。



**注意：** 刈高を低く設定しすぎないでください。芝生の表面が水平でない場合、ブレードが地面に当たるおそれがあります。

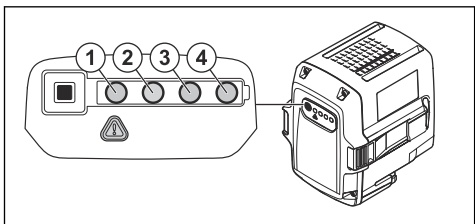
## バッテリー



**警告：** バッテリーを使用する前に、安全に関する章をお読みになり、内容を理解してください。バッテリーおよびバッテリー充電器の取扱説明書もお読みになり、内容を理解してください。

## バッテリーの状態

ディスプレイには、バッテリー残量やバッテリーに関する問題が表示されます。バッテリー容量は、本製品の電源がオフになった後あるいはバッテリーインジケータボタンが押された後に5秒間表示されます。エラーが発生すると、バッテリーに関する警告マークが点灯します。バッテリー 305 ページを参照してください。



LED ランプ	バッテリーの状態
すべての LED が点灯。	フル充電 (75 ~ 100%)
LED 1、LED 2、LED 3 が点灯	バッテリーは 50% ~ 75% 充電済み
LED 1、LED 2 が点灯	バッテリーは 25% ~ 50% 充電済み

LED ランプ	バッテリーの状態
LED 1 が点灯	バッテリーは 0% ~ 25% 充電済み。
LED 1 が点滅	バッテリーは空です。バッテリーを充電してください。

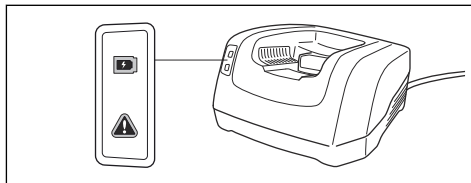
## バッテリーの充電方法

初めて使用する前に、バッテリーを充電してください。お客様への出荷時、バッテリーは 30% のみ充電されています。

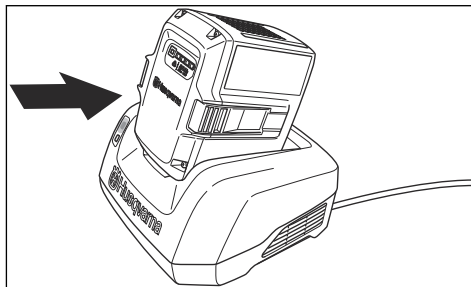
**注記：** バッテリー充電器は、銘板で指定された電圧と周波数の電源に接続する必要があります。

バッテリーの温度が 50°C を超えている場合は、バッテリーが充電されません。バッテリー充電器は、バッテリーの温度が下がってから充電を開始します。

- バッテリー充電器用電源コードの片端をバッテリー充電器のソケットに接続します。
- バッテリー充電器用電源コードのもう一方の端を、アースされている主電源ソケットに接続します。バッテリー充電器の LED が一度緑色で点滅します。



- バッテリーをバッテリー充電器に取り付けます。バッテリーがバッテリー充電器に正しく接続されると、バッテリー充電器の緑色のランプが点灯します。



- バッテリーの LED がすべて点灯したら、バッテリーはフル充電されています。バッテリーを最大 24 時間充電します。
- 主電源ソケットからバッテリー充電器を取り外す際は、電源コードではなくプラグを引いてください。
- バッテリー充電器からバッテリーを外します。

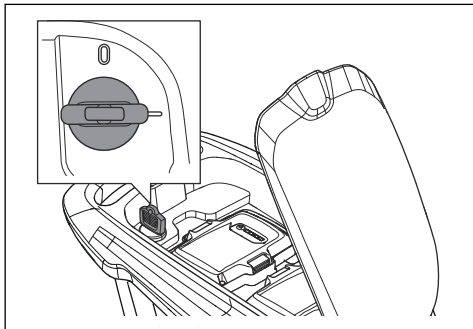
## バッテリーの充電ステータス

Husqvarna リチウムイオンバッテリーは、充電レベルに関係なく充電や使用が可能です。バッテリーは破損しません。フル充電されたバッテリーを充電器に入れたままにしてもバッテリーの電力が低減することはありません。

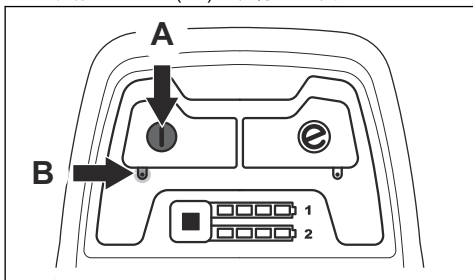
LED 表示	充電の状態
LED 1 が点滅	0% ~ 25%
LED 1 が点灯、LED 2 が点滅	25% ~ 50%
LED 1、LED 2 が点灯、LED 3 が点滅	50% ~ 75%
LED 1、LED 2、LED 3 が点灯、LED 4 が点滅	75% ~ 100%
LED 1、LED 2、LED 3、LED 4 が点灯。	フル充電済み

## 本製品の始動方法

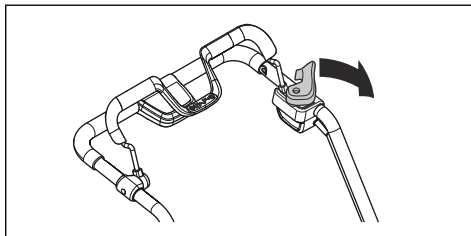
1. バッテリーカバーの下のバッテリー収納部 1 に、充電したバッテリーを入れます。動作時間を長くするには、充電した 2 つ目のバッテリーをバッテリー収納部 2 に入れます。
2. 安全キーを 1 に回します。



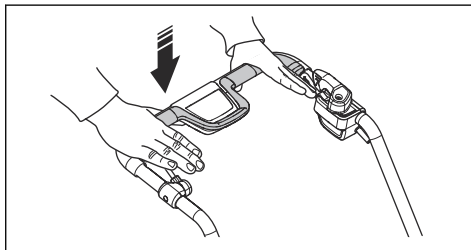
3. 製品の後ろに立ってください。
4. コントロールパネルのオン / オフボタン (A) を押すと、緑色の LED (B) が点灯します。



5. 始動抑制装置を緩めます。



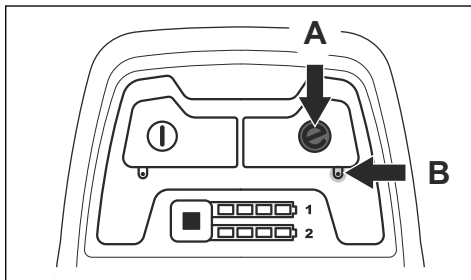
6. ハンドルバーの方向にモーターブレーキハンドルを押します。



## SavE 機能を有効にするには

本製品には、長時間の動作を実現するバッテリー節約機能 (SavE) が備わっています。

1. SavE ボタン (A) を押すと、この機能が始動します。緑色の LED が点灯します。



2. もう一度 SavE ボタンを押すと、SavE 機能が停止します。緑色の LED (B) が消灯します。

地面の状態に応じて高い出力が必要になると、SavE 機能は自動的に停止します。SavE 機能は、地面の状態により、自動的に開始します。

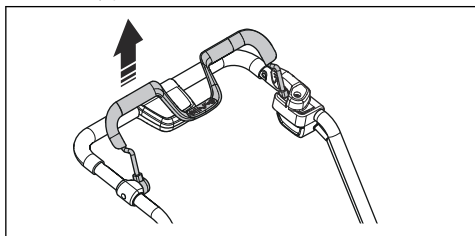
## 高負荷機能

長い芝や濡れた芝を刈り取る時は、モーターの回転数が自動的に増加します。高負荷が不要になると、モーターは標準モードに戻ります。

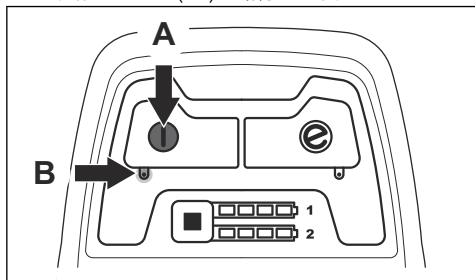
## 本製品を停止するには

10 分間操作しないと、本製品は自動的に停止します。目の届かないところに本製品を置く場合は、必ず安全キーを 0 の位置に回してください。

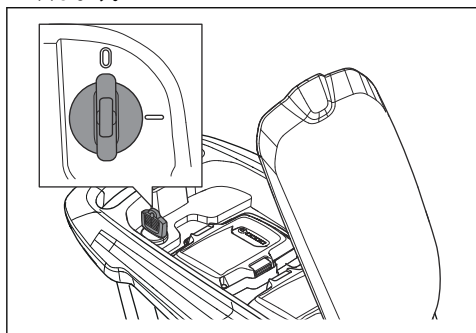
1. モーターブレーキハンドルを放すと、モーターは停止します。



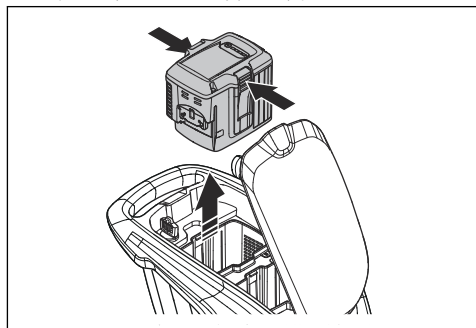
2. コントロールパネルのオン / オフボタン (A) を押すと、緑色の LED (B) が消灯します。



3. バッテリーカバーを開いて、安全キーを 0 の位置に回します。



4. バッテリーを取り外すには、2つの解除ボタンを押して、バッテリーを引き出します。



5. バッテリーの充電が不足している場合は、充電してください。詳細については、*バッテリーの充電方法 301* ページを参照してください。

## 良好に芝を刈る方法

- 必ず鋭利なブレードを使用してください。ブレードが鈍っていると、刈り取りにばらつきが出て、芝の切口が黄ばみます。鋭利なブレードを使用すると、鈍いブレードを使用した場合より労力が少なくて済みます。
- 芝の長さの  $\frac{1}{2}$  以上刈らないでください。まず刈高を高く設定して刈ります。結果を確認し、必要なレベルまで刈高を下げます。芝がかなり長い場合は、ゆっくり運転し、必要に応じて刈り取り作業を 2 回行ないます。
- 1 回目と 2 回目は別の方向に向かって刈り、芝面に筋がつかないようにします。
- カッティングカバーの汚れは落としてください。カッティングカバーの内側に草や土がたまると芝刈りの結果が悪くなります。*製品の清掃方法 304* ページを参照してください。

## メンテナンス

### はじめに



**警告：** メンテナンスを行う前に、安全に関する章をお読みにになり、内容を理解してください。

本製品のすべての整備と修理作業には、特別な訓練が必要です。当社では責任をもって専門的な修理と整備作業を提供します。お客様の販売店がサービス代理店でない

場合は、最寄りのサービス代理店に関する情報をお問い合わせください。

### メンテナンススケジュール

メンテナンス間隔は、本製品が毎日使用されることを前提に算出されています。本製品を毎日使用しない場合は、メンテナンス間隔が変わります。

「\*」の付いているメンテナンスについては、「*本製品の安全装置 296* ページ」を参照してください。

	使用した つど	毎月	季節ごと
一般点検の実施	X		
製品の洗浄	X		
始動抑制装置の点検*	X		
本製品の安全装置に不具合がないことを確認*	X		
カッティング装置の点検	X		
カッティングカバーの点検*	X		
モーターブレーキハンドルの点検*	X		
オン / オフボタンが正しく機能し、不具合がないことを確認	X		
バッテリーに損傷がないかの点検	X		
バッテリー充電の点検	X		
バッテリーリリースボタンが正常に作動し、本製品にバッテリーをロックできるか確認	X		
バッテリー充電器に損傷がないか調べ、正しく作動することを確認します。		X	
バッテリーと本製品の接続部を点検します。バッテリーとバッテリー充電器の接続部も確認します。			X

## 一般点検の実施方法

- 製品のナットとネジが締め込まれていることを確認してください。
- 製品のケーブルが損傷しやすい場所に配置されていないことを確認してください。

## 製品の清掃方法

- プラスチック部品は清潔で乾燥した布で清掃してください。
- 本製品を水で洗浄しないでください。バッテリーやモーターに水が浸入して、本製品が短絡したり、破損したりする原因となります。
- 本製品の清掃には高圧水を使用しないでください。
- モーターに直接水をかけないでください。
- ブラシで、葉、草、土を取り除いてください。

## バッテリーとバッテリー充電器の清掃方法



**警告：** バッテリーまたはバッテリー充電器は、水で洗浄しないでください。

- バッテリーをバッテリー充電器にセットする前に、バッテリーとバッテリー充電器に汚れがなく、乾燥していることを確認してください。
- 圧縮空気を使用してバッテリー端子を清掃するか、柔らかい乾いた布で拭いてください。

- バッテリーとバッテリー充電器の表面を柔らかい乾いた布で拭いてください。

## カッティング装置の点検方法



**警告：** 誤って始動しないようにするために、安全キーを 0 の位置に回し、バッテリーを取り外してから最低 5 秒間待ってください。



**警告：** カッティング装置のメンテナンスを実施するときは、保護グローブを着用してください。ブレードは非常に鋭利なため、切り傷を負う危険性があります。

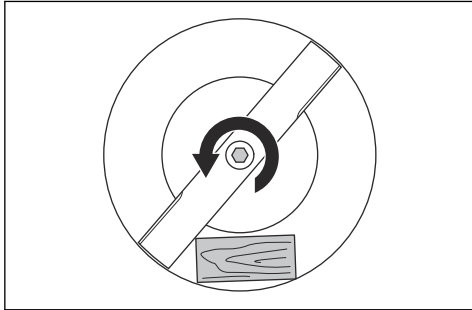
- カッティング装置に損傷やひび割れがないかどうか点検してください。損傷したカッティング装置は必ず交換してください。
- ブレードが破損していないか、鈍くなっていないかを確認してください。

**注記：** ブレードの目立て後は、ブレードのバランス調整が必要です。サービスセンターに依頼して、ブレードの目立て、交換、バランス調整を受けてください。製品が障害物に当たって停止した場合は、破損したブレードを交換してください。サービスセンターに依頼して、ブレードの目立てが可能かどうか、交換が必要かどうかを判断してもらってください。

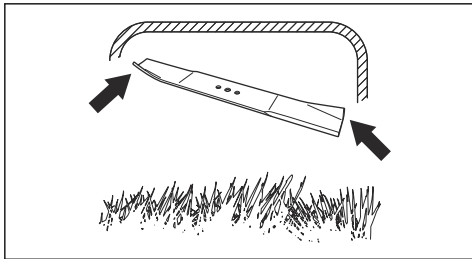


## ブレードの交換方法

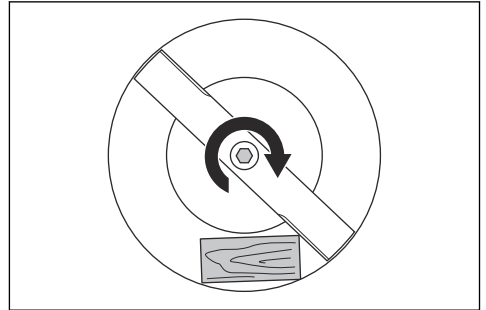
1. ブレードを木製ブロックでロックします。



2. ブレードボルトを取り外します。  
 3. ブレードを外します。  
 4. ブレードサポートとブレードボルトに破損がないかどうか点検します。  
 5. モーターシャフトが曲がっていないかどうか点検します。  
 6. 新しいブレードを取り付けるときは、角度がついたブレードの端の部分をカッティングカバー方向に向けます。



7. ブレードがモーターシャフトの中心と合っていることを確認します。  
 8. ブレードを木製ブロックでロックします。スプリングワッシャーを取り付け、ボルトとワッシャーを 23-28 Nm のトルクで締め付けます。



9. 手でブレードを引き回して、引っかかりなく回転することを確認します。



**警告：** 丈夫な作業用手袋を着用してください。ブレードは非常に鋭利なため、切り傷を負う危険性があります。

10. 製品を始動してブレードのテストを実施します。ブレードが正しく取り付けられていない場合、製品に振動が発生するか、良好な刈り取り結果を得られません。

## トラブルシューティング

### バッテリー

バッテリーのLED	原因	解決策
緑色のLEDが点滅する。	バッテリーの電圧が低下しています。	バッテリーを充電してください。バッテリーの充電方法 301 ページを参照してください。

バッテリーの LED	原因	解決策
エラー LED が点滅する。	バッテリーが残りわずかです。	バッテリーを充電してください。バッテリーの充電方法 301 ページを参照してください。
	作業環境の温度が高すぎる、または低すぎる。	バッテリーは -10°C ~ 40°C の温度で使用してください。
	過電圧。	電源の電圧が、本製品の銘板に記載された電圧と同じかどうか確認してください。  バッテリー充電器からバッテリーを外します。5 秒待ってから、もう一度バッテリーを充電してください。問題が解決しない場合は、販売店にご相談ください。
エラー LED が点灯する。	電位差が大きすぎます (1 V)。	販売店にご相談ください。

## バッテリー充電器

バッテリー充電器の LED	原因	解決策
エラー LED が点滅する。	作業環境の温度が高すぎる、または低すぎる。	5°C ~ 40°C の温度でバッテリー充電器を使用してください。
エラー LED が点灯する。		販売店にご相談ください。

## コントロールパネル

この項に記載されていない不具合については、サービス代理店に相談してください。

キーパッド	エラーコード(点滅回数)	想定される障害	対応措置
エラー LED が点滅	3	モーターが過負荷	刈高を上げてください。刈高の設定方法 301 ページを参照してください。
	5	モーター速度が低下し、モーターが停止	
	10	モーター制御が高温	モーターを停止し、冷えるまで待ってください
	2	ブレードのブロック	誤って始動しないようにするために、安全キーを 0 の位置に回し、バッテリーを取り外してから最低 5 秒間待ってください。ブレードがスムーズに回転するかを確認してください。問題が解決しない場合は、認定サービス代理店に相談してください
	9	バッテリーのエラーまたはバッテリーからの信号なし	バッテリーを製品に正しく取り付け、バッテリーのコネクターを点検してください。バッテリーのエラー LED が点滅する場合は、バッテリー 301 ページを参照してください。

キーバッド	エラーコード(点滅回数)	想定される障害	対応措置
製品が停止	8	バッテリーが弱い	バッテリーの充電。バッテリーの充電方法 301 ページを参照してください。
	0	バッテリーコネクターの不具合	バッテリーコネクターを点検

## 搬送、保管、廃棄

### はじめに



**警告：** 搬送中に誤って始動しないようにするために、安全キーを「0」の位置に回し、バッテリーを取り外してから最低 5 秒間待ってください。

### 搬送

- 付属のリチウムイオン電池には、危険物の規制に関する規則が適用されます。
- 商用搬送においては、梱包およびラベル付けに関する特別な要件を遵守する必要があります。
- 本製品の搬送準備をする際は、危険物に関する規制を遵守していることを確認してください。地域の規制が適用されることがあります。
- 搬送時は常にバッテリーを外してください。
- バッテリーのコネクターにテープを貼り、搬送中にバッテリーが動かないようにしてください。
- 搬送中、本製品を固定してください。

### 保管

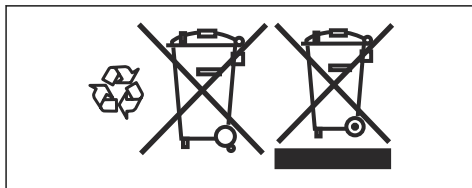
- 保管時は常にバッテリーを外してください。
- 事故防止のため、保管時はバッテリーが本製品に接続されていないことを確認してください。
- バッテリー充電器は、密閉された乾燥した場所に保管してください。
- 湿気や霜が発生しない乾燥した場所に、バッテリーとバッテリー充電器を保管してください。
- 保管時は、バッテリーをバッテリー充電器から取り外してください。
- 静電気が発生するような場所にはバッテリーを保管しないでください。バッテリーは金属製の箱に保管しないでください。

- バッテリーは、5°C ~ 25°C の温度環境で直射日光に当たらない場所に保管してください。
- バッテリー充電器は、5°C ~ 45°C の温度環境で直射日光に当たらない場所に保管してください。
- バッテリーを長期間保管する前に、バッテリー充電量を 30 % ~ 50 % にしてください。
- 製品、バッテリー、バッテリー充電器は、鍵のかかる場所に保管し、子供や許可されていない人の手が届かないようにしてください。
- 製品を長期間保管する前に、製品を清掃し、完全に整備してください。

### 廃棄

本製品や本製品パッケージ上のマークは、本製品が家庭ゴミとして取り扱われてはならないことを示します。電気・電子機器の再利用を行うため、適切りリサイクル営業所に引き渡す必要があります。

以上を遵守することで、本製品は正しく処理され、本製品を不適切に廃棄した場合に環境や人に与えられる悪影響を防止することができます。本製品のリサイクルについての詳細は、あなたの所在する地区の地方自治体、廃棄物処理サービス、本製品を購入した代理店に連絡してください。



## 主要諸元

	LB 146i
カッピングモーター	
モータータイプ	BLDC ( ブラシレス ) 36 V

	<b>LB 146i</b>
モーター速度 - SavE、r/min	2600
モーター速度 - 標準、r/min	3000
モーター速度 - 高負荷、r/min	3500
モーター出力 - 最大、kW	1.05
モーター出力 - 公称、kW	0.9
過電流制限 (電流制限 : 900W-27A)	27 (+/-) 1A
<b>質量</b>	
バッテリーを除いた質量、kg	16.9
<b>バッテリー</b> <sup>53</sup>	
バッテリーの種類	Husqvarna バッテリーシリーズ
<b>バッテリー稼働時間</b>	
バッテリー稼働時間、分、(無負荷) SavE (セーブイー) オン、Husqvarna 製 5.2 Ah バッテリー (BLi200) 1 個の場合	77
バッテリー稼働時間、分、(無負荷) 標準モードオン、Husqvarna 製 5.2 Ah バッテリー (BLi200) 1 個の場合	45
<b>騒音排出</b> <sup>54</sup>	
音響パワーレベル、測定 dB (A)	90
音響パワーレベル、保証 L <sub>WA</sub> dB (A)	91
<b>音量レベル</b> <sup>55</sup>	
使用者の耳における音圧レベル、dB (A)	79
<b>振動レベル</b> <sup>56</sup>	
ハンドル、m/s <sup>2</sup>	0.9
<b>カッティング装置</b>	
刈高、mm	35-70 mm
刈幅、cm	46
ブレード	バイオクリップ
製品番号	5947022-10

認可されたバッテリー	型式	バッテリー容量、Ah	電圧、V	質量、ポンド / kg
BLi20	リチウムイオン	4.0	36	2.6/1.2

<sup>53</sup> 最良の結果とパフォーマンスを得るためには、Husqvarna バッテリー BLi200 を推奨します。

<sup>54</sup> 環境における騒音の排出は、EC 指令 2000/14/EC に従って、音響パワー (L<sub>WA</sub>) として測定。

<sup>55</sup> 報告データによれば、騒音音圧レベルの一般的な統計上のばらつき (標準偏差) は、1.2 dB (A) です。

<sup>56</sup> 報告データによれば、等価振動レベルの一般的な統計上のばらつき (標準偏差) は、0.2 m/s<sup>2</sup> です。振動基準 EN 60335-2-77:2017 20.105 章

認可されたバッテリー	型式	バッテリー容量、Ah	電圧、V	質量、ポンド / kg
BLi200	リチウムイオン	5.2	36	2.8/1.3
BLi300	リチウムイオン	9.4	36	4.2/1.9

指定バッテリーに適合する認定充電器、BLi	入力電圧、V	周波数、Hz	電力、W
QC80	100 ~ 240	50/60	100
QC80F	10-15	なし	95
QC330	100 ~ 240	50/60	330
QC500	100 ~ 240	50/60	500
40-C80	100 ~ 240	50/60	68.8

## EC 適合性宣言

Husqvarna AB、SE-561 82 Huskvarna、スウェーデン、電話：+46-36-146500 は、2021 年以降に製造された芝刈機 Husqvarna LB 146i が、評議会指令 ( COUNCIL'S DIRECTIVE ) の規定に適合していることを宣言します。

- 2011 年 6 月 8 日付「電気・電子製品に含まれる特定有害物質の使用制限に関する」2011/65/EU
- 2006 年 5 月 17 日付「機械類に関する」2006/42/EC
- 2014 年 2 月 26 日付「電磁波適合性に関する」2014/30/EU
- - 2000 年 5 月 8 日付「環境への騒音排出に関する」2000/14/EC

騒音排出に関する情報は、主要諸元を参照してください。

次の標準規格にも適合しています。

EN 60335-1:2012+A11:2014+A13:2017, EN 60335-2-77:2010, EN 62233:2008, EN 55014-1:2017+A11:2020, EN 55014-2:2015, EN IEC 63000:2018

別途記載のない限り、上記規格が最新版です。

試験機関：0404, RISE SMP Svensk Maskinprovning AB, Box 7035, SE-750 07 Uppsala は、評議会指令 2000/14/EC の付録 VI に基づいて適合性評価を実施しました。

Huskvarna, 2021-10-30



開発マネージャー / ガーデン製品担当 Claes Losdal ( / スクバーナ AB 正式代表兼技術文書担当 )

# TURINYS

Įvadas.....	311	Gedimai ir jų šalinimas.....	327
Sauga.....	314	Transportavimas, saugojimas ir utilizavimas.....	329
Surinkimas.....	321	Techniniai duomenys.....	330
Naudojimas.....	322	EB atitikties deklaracija.....	332
Techninė priežiūra.....	325		

## Įvadas

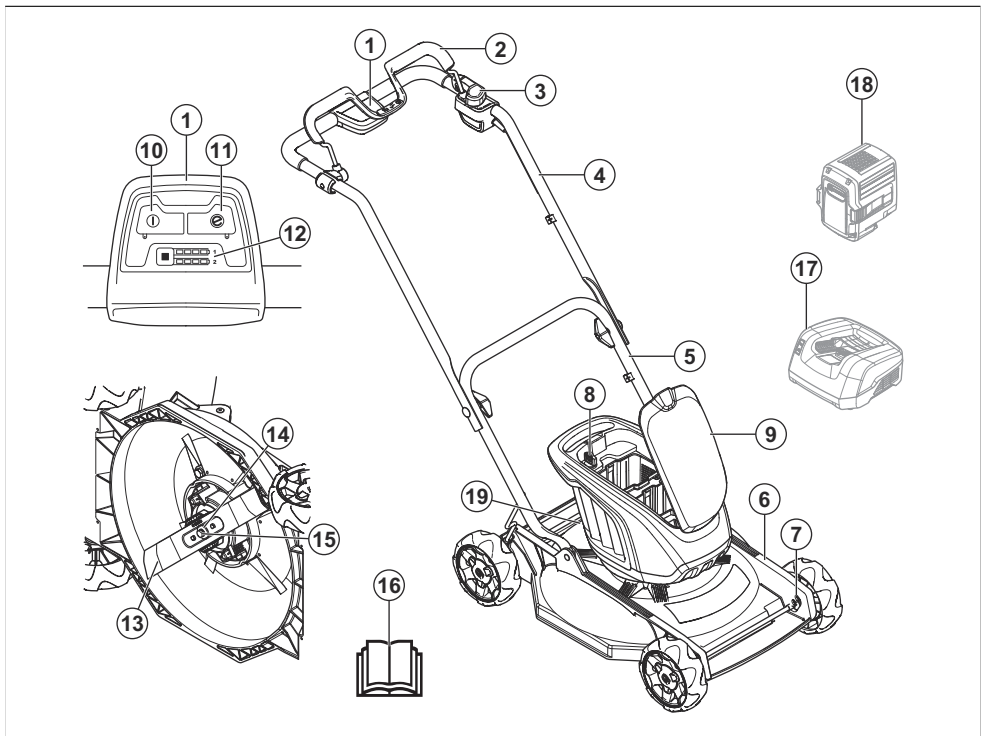
### Gaminio aprašas

Šis gaminys yra savaeigė sukamoji veļapjovė, kuri naudojama BioClip smulkina žolę ir paverčia ją trąša.

### Numatytasis naudojimas

Gaminį naudokite žolei pjauti. Nenaudokite gaminio kitiems darbams.

### Gaminio apžvalga



1. Valdymo skydelis
2. Variklio stabdymo rankena
3. Apsauga nuo netyčinio paleidimo
4. Viršutinė rankena
5. Apatinė rankena
6. Pjovimo gaubtas
7. Pjovimo aukščio valdymas
8. Apsauginis raktelis
9. Akumulatoriaus dangtelis
10. ĮJUNGIMO / IŠJUNGIMO mygtukas
11. „Save“ mygtukas
12. Akumulatoriaus įkrovos indikatorius ir akumulatoriaus mygtukas
13. Peilis
14. Spyruoklės poveržlė

15. Disko varžtas
16. Naudojimo instrukcija
17. Akumuliatoriaus įkroviklis (priedas)
18. Akumuliatorius (priedas)
19. Nominaliųjų parametrų plokštelė

## Simboliai ant gaminio



Įspėjimas. Aplaidžiai ar netinkamai naudojant gali būti rimtai ar net mirtinai sužalotas operatorius ar kiti žmonės.



Prieš naudodami, atidžiai perskaitykite naudojimo instrukciją ir įsitinkinkite, kad viską gerai supratote.



Asmenims ir gyvūnams būtina laikytis saugaus atstumo nuo darbo zonos.



Saugokitės išmetamų ir rikošetu atšokusių daiktų.



Įspėjimas. Saugokite rankas bei kojas ir nekiškite jų prie besisukančio peilio.



Įspėjimas. Saugokite rankas bei kojas ir nekiškite jų prie besisukančių dalių.



Prieš remontuodami ar atlikdami techninę apžiūrą, išimkite apsauginį raktelį.



Nepalikite lietuje



Gaminys ar gaminio pakuotė nepriskiriami buitiniams atliekoms. Nuvežkite jį į elektros ir elektronikos įrenginių perdirbimo punktą.



Šis gaminys atitinka taikomas ES direktyvas.



Šis gaminys atitinka taikomas Eurazijos muitų sąjungos direktyvas.



Šis gaminys atitinka taikomas UkrSEPRO direktyvas.



Šis gaminys atitinka taikomas RMC direktyvas. Taikoma tik AU / NZ



Į aplinką skleidžiamas triukšmas atitinka Europos Bendrijos direktyvą. Gaminio emisijos nurodytos skyriuje „Techniniai



duomenys“ ir ant etiketės.

**IPX1** IPX1 – apsaugota nuo lašėjimo



Pradėkite procedūrą: nuspauskite ĮJUNGIMO / IŠJUNGIMO mygtuką, atlaisvinkite apsaugą nuo netyčinio paleidimo, nuspauskite variklio stabdymo rankeną.



Norėdami sustabdyti, atleiskite variklio stabdymo rankeną.

**Pasižymėkite:** Kiti ant gaminio pateikti simboliai (etiketės) skirti kai kurių rinkų sertifikavimo reikalavimams.

**Etiketė ant gaminio**



PAVOJINGA – rankas ir kojas laikykite toliau

## Atsakomybė už gaminį

Kaip nurodyta atsakomybės už gaminį įstatymuose, mes nesame atsakingi už mūsų gaminio sukeltą žalą, jei:

- gaminys netinkamai suremontuotas;
- gaminys suremontuotas naudojant kito gamintojo arba gamintojo nepatvirtintas dalis;
- gaminys turi kito gamintojo arba gamintojo nepatvirtintą priedą;
- gaminys suremontuotas ne patvirtintame techninės priežiūros centre arba jį suremontavo ne patvirtintas atstovas.

### Saugos ženklų reikšmės

Įspėjimai, perspėjimai ir pastabos yra skirtos atkreipti dėmesį į ypač svarbias instrukcijos dalis.



#### **PERSPĖJIMAS:**

Naudojamas, kai naudotojui ar šalia esantiems asmenims kyla mirtino arba sunkaus sužeidimo pavojus arba, jei nesilaikoma naudotojo instrukcijoje pateiktų nurodymų.



**PASTABA:** Naudojamas, kai kyla pavojus sugadinti gaminį, kitas medžiagas arba padaryti žalą aplinkai, jei nesilaikoma naudotojo instrukcijoje pateiktų nurodymų.

**Pasižymėkite:** Naudojama pateikti daugiau, nei būtina esamoje situacijoje, informacijos.

---

### Bendrieji saugos nurodymai



**PERSPĖJIMAS:** Prieš naudodami gaminį, perskaitykite toliau esančius įspėjimus.

- Netinkamai arba neatidžiai naudojant šis gaminys yra pavojingas. Jei nesilaikysite saugos nurodymų, kyla sužeidimų arba mirties pavojus.
- Šis gaminys veikdamas sukuria elektromagnetinį lauką. Tam tikromis aplinkybėmis šis laukas gali trikdyti aktyviųjų arba pasyviųjų medicininių implantų veiklą. Kad sumažėtų sunkių ar mirtinų sužeidimų pavojus, medicininių implantų turintiems asmenims rekomenduojame prieš naudojant šį gaminį pasitarti su gydytoju ir implanto gamintoju.
- Visada elkitės atsargiai ir vadovaukitės sveiku protu. Jei tiksliai nežinote, kaip naudoti gaminį konkrečioje situacijoje, sustabdykite darbą ir prieš tęsdami darbą pasitarkite su „Husqvarna“ pardavimo atstovu.

- Atsiminkite, kad už nelaimingus atitikimus, kurių metu nukentės asmenys ar turtas, bus atsakingas naudotojas.
- Rūpinkitės gaminio švara. Įsitinkite, kad galite aiškiai perskaityti ženklus ir lipdukus.
- Neleiskite vaikams bei suaugusiesiems, nesusipažinusiems su instrukcijomis, naudotis įrenginiu. Gali būti, kad pagal vietos teisės aktus ribojamas naudotojo amžius.
- Visada prižiūrėkite gaminį naudojančią fizinę arba protinę negalią turintį asmenį. Būtina nuolatinė atsakingo suaugusiojo priežiūra.
- Neeksploduokite gaminio, jeigu esate pavargę, sergate, vartojote alkoholio, narkotikų ar vaistų. Tai neigiamai veikia jūsų regėjimą, nuovoką ar koordinaciją.
- Neeksploduokite gaminio, jei jis sugadintas.
- Nekeiskite gaminio ir nenaudokite jo, jei jį galėjo pakeisti kiti.

## Sauga darbo vietoje



**PERSPĖJIMAS:** Prieš naudodami gaminį,

perskaitykite toliau esančius įspėjimus.

---

- Prieš naudodami gaminį nuo darbo zonos pašalinkite tokius objektus, kaip šakos, šakelės ir akmenys.
- Atsitrenkę į pjovimo įrangą objektai gali atšokti ir sužeisti asmenis bei sugadinti daiktus. Šalia esantiems asmenims ir gyvūnams būtina laikytis saugaus atstumo nuo gaminio.
- Gaminio niekuomet nenaudokite blogu oru, pvz., kai pakyla rūkas, lyja, pučia stiprus vėjas, stipriai šąla ir gali žaibuoti. Darbas gaminiu blogu oru arba drėgnose ar šlapiose vietose yra varginantis. Blogu oru gali susidaryti pavojingos sąlygos, pvz., slidūs paviršiai.
- Saugokitės asmenų, daiktų ir tam tikrų situacijų kurios gali neleisti saugiai naudoti gaminio.
- Saugokitės kliūčių, pvz., šaknų, akmenų, šakelių, duobių ir griovių. Aukštoje žolėje kliūtys gali būti nematomos.
- Gali būti pavojinga pjauti žolę įkalnėse. Nepjaukite pernelyg stačiuose šlaituose.

Nenaudokite gaminio, jei šlaitas yra statesnis nei 15°

- Būkite ypač atsargūs keisdami judėjimo kryptį ant kalno šlaitų. Šlaitus pjaukite skersai. Nevažiuokite į viršų ir žemyn.
- Būkite atsargūs artėdami prie nematomų kampų ir daiktų, kurie užstoja vaizdą.

## Darbo sauga



**PERSPĖJIMAS:** Prieš naudodami gaminį, perskaitykite toliau esančius įspėjimus.

- Gaminį naudokite tik vejų žolei pjauti. Neleidžiama jo naudoti kitoms užduotims atlikti.
- Naudokite asmenines apsaugines priemones. Žr. *Asmeninės apsauginės priemonės psl. 317.*
- Įsitikinkite, kad žinote, kaip greitai sustabdyti variklį nelaimės atveju.
- Nenaudokite gaminio lietuje arba drėgnoje aplinkoje. Į gaminį patekus vandens, padidėja elektros smūgio pavojus.
- Nenaudokite gaminio tinkamai neuždenę peilio ir neuždėję kitų dangčių. Netinkamai uždėtas peilis gali atsilaisvinti ir sužeisti.
- Užtikrinkite, kad peilis neatsitrenktų į tokius objektus, kaip akmenys ir šaknys. Tai gali sugadinti peilį ir sulenkti variklio veleną. Sulenkta ašis sukelia didelę vibraciją ir kyla didžiulis pavojus, kad peilis atsilaisvins.
- Jei į peilį atsitrenkia objektas arba susidaro vibracijos, nedelsdami sustabdykite gaminį. Išjunkite variklį, pasukite apsauginį raktelį į padėtį „0“ ir išimkite akumuliatorių. Patikrinkite, ar gaminys neapgadintas. Pataisykite sugadintas dalis arba remonto darbus perleiskite įgaliotajam techninės priežiūros atstovui.
- Niekada nepritvirtinkite variklio stabdymo rankenos prie rankenos visam laikui, kai variklis veikia.
- Padėkite gaminį ant stabilaus, plokščio paviršiaus ir paleiskite jį. Patikrinkite, ar peilis neliečia žemės ar kokių kitų daiktų.
- Visada būkite už gaminio, kai jį naudojate.
- Prižiūrėkite, kad visi ratukai būtų ant žemės ir abi rankas laikykite ant rankenos, kai naudojate gaminį. Saugokite rankas bei kojas ir neikiškite jų prie besisukančių peilių.

- Dirbant varikliui nepakreipkite gaminio.
- Būkite atsargūs, kai gaminį traukiate atgal.
- Dirbant varikliui niekada nekelkite gaminio. Jei reikia pakelti gaminį, pirmiausia išjunkite variklį, pasukite apsauginį raktelį į padėtį „0“ ir išimkite akumuliatorių.
- Naudodami gaminį neikite atgal.
- Veždami įrenginį per zonas be žolės, pvz., žvirgždo, akmenų ir asfalto takelius, sustabdykite variklį.
- Dirbant varikliui nebėkite su gaminiu. Naudodami gaminį visada eikite.
- Prieš pakeisdami pjovimo aukštį pirmiausia išjunkite variklį. Niekada nereguliuokite varikliui veikiant.
- Niekada nepaleiskite gaminio iš akių, kai veikia variklis. Išjunkite variklį ir įsitinkinkite, kad pjovimo įranga nesisuka.
- Asmeninės apsauginės priemonės nepadės visiškai išvengti pavojaus susižeisti, tačiau nelaimingo atsitikimo atveju mažiau nukentėsite. Leiskite prekybos atstovui padėti pasirinkti tinkamą įrangą.
- Avėkite patvarius, neslystančius batus. Neavėkite atvirų batų ir nebūkite basi.
- Dėvėkite storas, ilgas kelnes.
- Kai būtina, pvz., montuojant, apžiūrint arba valant pjovimo įrangą, užsimaukite apsaugines pirštines.

#### Gaminio apsauginės priemonės



**PERSPĖJIMAS:** Prieš naudodami gaminį, perskaitykite toliau esančius įspėjimus.

- Nesinaudokite gaminiu, jei jo apsauginės priemonės yra netvarkingos.
- Reguliariai tikrinkite apsaugines priemones. Jei apsauginės priemonės yra pažeistos, pasitarkite su Husqvarna techninės priežiūros atstovu.

#### Atlikite pjovimo gaubto patikrą.

Pjovimo gaubtas sumažina gaminio vibracijas ir sumažina disko keliamą sužeidimų pavojų.

- Apžiūrėkite pjovimo gaubtą, kad įsitikintumėte, jog nėra pažeidimų, pvz., įtrūkių.

#### Apsauginis raktelis

Apsauginis raktelis yra po akumuliatoriaus gaubtu. Apsauginis raktelis prijungia akumuliatorių, kuris tiekia varikliui energiją.

- Norėdami patikrinti apsauginį raktelį, paleiskite ir sustabdykite variklį.
- Jei apsauginis raktelis veikia tinkamai, variklį galima paleisti tik pasukus raktelį į padėtį „1“.

## Naudojimo saugos instrukcijos

### Asmeninės apsauginės priemonės

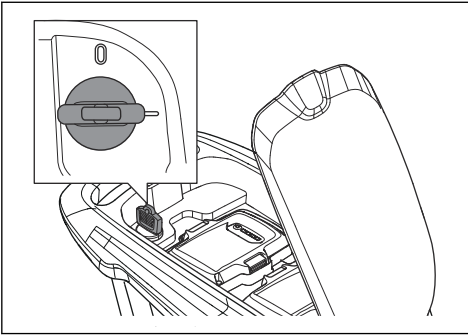


**PERSPĖJIMAS:** Prieš naudodami gaminį, perskaitykite toliau esančius įspėjimus.

## Akumuliatorių naudojimo sauga



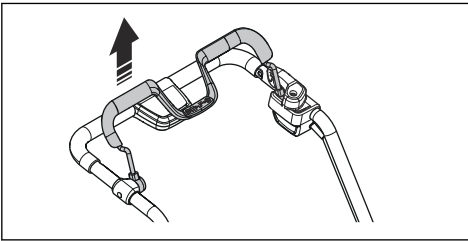
**PERSPĖJIMAS:** Prieš naudodami gaminį, perskaitykite toliau esančius įspėjimus.



### Variklio stabdymo rankena

Variklio stabdymo rankena sustabdo variklį. Atleisus variklio stabdymo rankeną variklis sustoja.

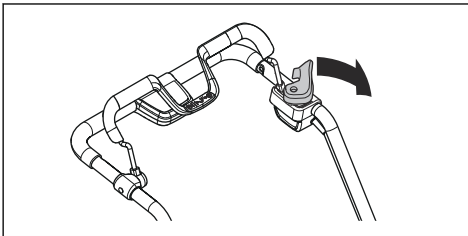
Norėdami patikrinti variklio stabdį, paleiskite variklį ir atleiskite variklio stabdymo rankeną. Jei variklis nesustoja per 3 sekundes, paprašykite, kad įgaliotasis „Husqvarna“ techninės priežiūros atstovas sureguliuotų variklio stabdį.



### Apsaugos nuo netyčinio užvedimo patikrinimas

Patikrinkite apsaugą nuo netyčinio užvedimo ir įsitinkinkite, kad ji neleidžia užvesti variklio.

1. Pastumkite variklio stabdymo rankeną link gaminio rankenos. Apsauga nuo netyčinio užvedimo neleidžia judėti.
2. Išstumkite apsaugą nuo netyčinio užvedimo.



3. Atleiskite apsaugą nuo netyčinio užvedimo ir įsitinkinkite, kad ji grįžta į savo pradinę padėtį.

- Kaip susijusių „Husqvarna“ gaminių maitinimo šaltinį naudokite tik „Husqvarna“ įkraunamus akumulatorius. Kad išvengtumėte sužeidimų, nenaudokite akumulatoriaus kaip kitų gaminių maitinimo šaltinio.
- Nenaudokite neįkraunamų akumuliatorių.
- Elektros smūgio pavojus. Nejunkite akumulatoriaus gnybtų prie raktų, monetų, atsuktuvų ar kitų metalinių daiktų. Galite sukelti akumulatoriaus trumpąjį jungimą.
- Nekiškite objektų į akumulatoriaus oro angas.
- Saugokite akumuliatorių nuo tiesioginių saulės spindulių, karščio ar atviros ugnies. Akumulatorius gali sprogti ir sukelti terminius ir (arba) cheminius nudegimus.
- Saugokite akumuliatorių nuo lietaus ir drėgmės.
- Saugokite akumuliatorių nuo mikrobangų ir aukšto slėgio.

- Nebandykite akumuliatoriaus išmontuoti ar sulaužyti.
- Jei iš akumuliatoriaus teka skystis, saugokite nuo jo kūną ir akis. Jei palietėte skystį, gerai nuplaukite šią vietą vandeniu ir kreipkitės pagalbos į medikus.
- Akumuliatorių naudokite nuo  $-10\text{ }^{\circ}\text{C}$  iki  $40\text{ }^{\circ}\text{C}$  temperatūroje.
- Nevalykite akumuliatoriaus ar įkroviklio vandeniu. Žr. *Akumuliatoriaus ir akumuliatoriaus įkroviklio valymas psl. 326*
- Nenaudokite sugadinto arba pažeisto akumuliatoriaus.
- Laikykite akumuliatorius atokiau nuo metalinių daiktų, pavyzdžiui, vinių, monetų, juvelyrinių dirbinių.

## Įkroviklio sauga



**PERSPĖJIMAS:** Prieš naudodami gaminį, perskaitykite toliau esančius įspėjimus.

- Nebandykite išmontuoti akumuliatoriaus įkroviklio. Neprijunkite įkroviklio gnybtų prie metalinių daiktų. Naudokite patvirtintą elektros tinklo lizdą.
  - Šis gaminys veikdamas sukuria elektromagnetinį lauką. Tam tikromis aplinkybėmis šis laukas gali trikdyti aktyviųjų arba pasyviųjų medicininių implantų veiklą. Kad sumažėtų sunkaus ar netgi mirtino sužeidimo pavojus, medicininių implantų turintiems asmenims rekomenduojame prieš naudojant šį gaminį pasitarti su gydytoju ir implanto gamintoju.
  - Nuolat patikrinkite akumuliatoriaus įkroviklio maitinimo laidą, ar jis nepažeistas ir nėra įtrūkimų.
  - Nekelkite akumuliatoriaus įkroviklio už maitinimo laido. Norėdami atjungti akumuliatoriaus įkroviklį nuo elektros lizdo, traukite už kištuko. Netraukite už elektros laido.
  - Maitinimo laidą ir ilginamuosius kabelius saugokite nuo vandens, alyvos ir aštrių kampų. Būkite atidūs, kad kabelio neprispaustų durys, tvoros ar pan. Priešingu
- „Husqvarna“ pakaitiniams akumuliatoriams įkrauti naudokite tik QC akumuliatorių įkroviklius.
  - Elektros smūgio ar trumpojo jungimo pavojus. Nekiškite objektų į įkroviklio oro angas.

atveju įkrovikliu gali imti tekėti elektros srovė.

- Nevalykite akumulatoriaus įkroviklio vandeniu.
- Akumulatoriaus įkroviklį gali naudoti vaikai nuo 8 metų amžiaus ir kiti asmenys su ribotais fiziniais, jutimais ar protiniais sugebėjimais, arba stokoiantys patirties ar žinių, jei yra prižiūrimi arba instruktuoti dėl saugaus akumulatoriaus įkroviklio naudojimo ir supranta gresiančius pavojus. Vaikams su akumulatoriaus įkrovikliu žaisti negalima. Be priežiūros vaikai neturėtų valyti prietaiso ir atlikti naudotojo priežiūros darbų.
- Akumuliatorių įkrovikliu nekraukite neįkraunamų akumuliatorių.
- Nenaudokite akumulatoriaus įkroviklio šalia degių arba koroziją sukeliančių medžiagų. Neuždenkite įkroviklio. Pastebėję dūmus ar liepsną, ištraukite akumulatoriaus įkroviklio kištuką.
- Nenaudokite sugadinto arba pažeisto akumulatoriaus įkroviklio.
- Įkraukite akumuliatorių tik viduje, gerai vėdinamoje patalpoje, saugodami nuo

saulės spindulių. Nekraukite akumulatoriaus drėgnomis sąlygomis.

## Priežiūros saugos instrukcijos

---



**PERSPĖJIMAS:** Prieš naudodami gaminį, perskaitykite toliau esančius įspėjimus.

---

- Kad atlikdami priežiūros darbus išvengtumėte netyčinio užvedimo, pasukite apsauginį raktelį į padėtį „0“ ir išimkite akumuliatorių. Palaukite bent 5 sekundes ir tik tada pradėkite priežiūros darbus.
- Kad gaminys tarnautų ilgiau ir sumažėtų nelaimingų atsitikimų pavojus, tinkamai atlikite priežiūros darbus. Profesionalius remonto darbus leiskite atlikti patvirtintam techninės priežiūros atstovui. Jei reikia daugiau informacijos, kreipkitės į artimiausią techninės priežiūros atstovą.
- Atlikite tik naudojimo instrukcijoje nurodytus techninės priežiūros darbus. Sudėtingesnius darbus turi atlikti patvirtintas techninės priežiūros atstovas.
- Naudodami pjovimo įrangą, mūvėkite storas darbines



- pirštines. Peilis labai aštrus ir gali lengvai įpjauti.
- Kad darbas vyktų saugiai ir efektyviai, pasirūpinkite, kad pjovimo briaunos būtų aštrios.
- Leiskite savo techninės priežiūros atstovui reguliariai tikrinti gaminį ir atlikti reikiamus nustatymo ir remonto darbus.
- Pakeiskite pažeistas, sulūžusias arba susidėvėjusias dalis.

- Laikykitės priedų keitimo nurodymų. Naudokite tik gamintojo priedus.
- Kai nenaudojate, laikykite gaminį, akumuliatorių ir akumulatoriaus įkroviklį atskirai, sausoje užrakintoje patalpoje. Pasirūpinkite, kad vaikai ir pašaliniai asmenys negalėtų pasiekti gaminio, akumulatoriaus ar įkroviklio.

## Surinkimas

### Įvadas



**PERSPĖJIMAS:** Prieš surinkdami produktą perskaitykite skyrių apie saugą.



**PERSPĖJIMAS:** Kad surinkimo metu išvengtumėte netyčinio paleidimo, pasukite apsauginį raktelį į padėtį „0“, išimkite akumuliatorių ir palaukite mažiausiai 5 sekundes.

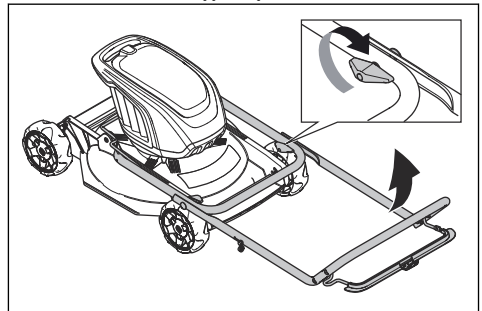
### Rankenos surinkimas



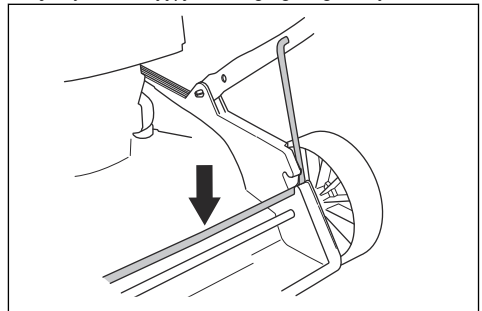
**PASTABA:** Nesukite laidų.

1. Sulygiuokite viršutinės rankenos angas su apatinės rankenos angomis.

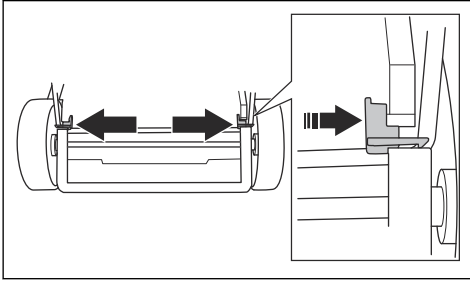
2. Iki galo priveržkite rankenėles dešinėje ir kairėje, tada lenkite rankeną į viršų.



3. Įstatykite kaištį į pjovimo agregato griovelį.



4. Uždėkite 2 stabdikius, fiksuojančius rankeną.  
Įstumkite iki galo į vietą.

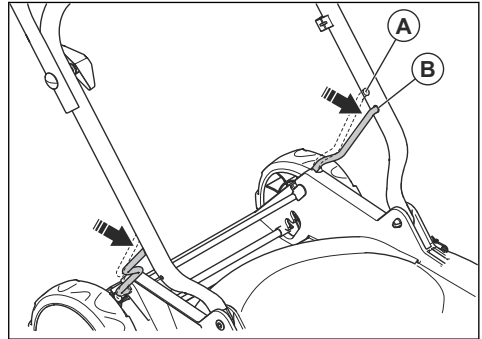


**Pasižymėkite:** Yra 2 stabdikliai, vienas su raide H, kitas su raide V. Stabdiklį su H raide sumontuokite dešinėje, o stabdiklį su V raide – kairėje.



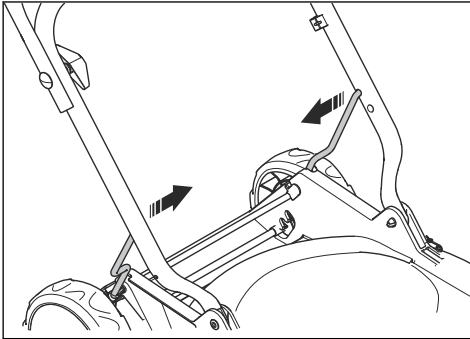
**PASTABA:** Produktą naudokite tik sumontavę 2 stabdikius.

- a) Įstatykite rankenos atramą į viršutinę angą (A), jei norite sumažinti rankenos aukštį.  
b) Įstatykite rankenos atramą į apatinę angą (B), jei norite padidinti rankenos aukštį.



## Rankenos aukščio reguliavimas

1. Atjunkite rankenos atramą apatinėje rankenos dalyje.



## Naudojimas

### Įvadas



**PERSPĖJIMAS:** Prieš naudodami gaminį perskaitykite ir supraskite saugos skyriaus informaciją.

### Husqvarna Connect

Husqvarna Connect yra nemokama programėlė, skirta mobiliesiems įrenginiams. Programėlė Husqvarna Connect suteikia Husqvarna gaminiui papildomas funkcijas:

- Papildoma informacija apie gaminį.

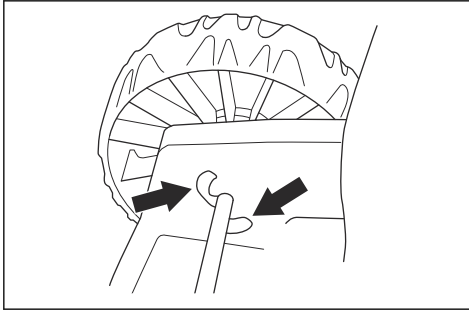
- Informacija ir patarimai apie gaminio dalis ir priežiūrą.

### Norėdami pradėti naudoti Husqvarna Connect

1. Atsisiųskite „Husqvarna Connect“ programėlę į mobilųjį įrenginį.
2. Užsiregistruokite „Husqvarna Connect“ programėlyje.
3. Norėdami prisijungti ir užregistruoti gaminį, vykdykite „Husqvarna Connect“ programėlyje pateiktas instrukcijas.

## Pjovimo aukščio nustatymas

- Išspauskite veleną ir perkelkite į tinkamą padėtį visuose 4 ratuose.



**PASTABA:** Nenustatykite per žemo pjovimo aukščio. Peiliai gali užkliudyti žemę, jei vejos paviršius nelygus.

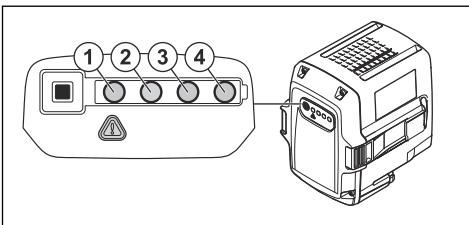
## Akumulatorius



**PERSPĖJIMAS:** Prieš naudodami akumuliatorių perskaitykite ir supraskite saugos skyriaus informaciją. Taip pat turite perskaityti ir suprasti akumuliatoriaus bei akumuliatoriaus įkroviklio naudojimo instrukcijas.

## Akumuliatoriaus būseną

Ekrane rodoma likusi akumuliatoriaus talpa ir galimos akumuliatoriaus problemos. Akumuliatoriaus talpa rodoma 5 sekundes po gaminio išjungimo arba po akumuliatoriaus indikatorius mygtuko paspaudimo. Akumuliatoriaus įspėjimo simbolis užsidega, kai įvyksta klaida. Žr. *Akumuliatorius psl. 327*



Šviesos diodai	Akumuliatoriaus būseną
Šviečia visi diodai	Visiškai įkrautas (75–100 %)
Šviečia 1, 2 ir 3 diodai	Akumuliatorius įkrautas 50–75 %
Šviečia 1, 2 diodai	Akumuliatorius įkrautas 25–50 %

Šviesos diodai	Akumuliatoriaus būseną
Šviečia 1 diodas	Akumuliatorius įkrautas 0–25 %
Mirksi 1 diodas	Akumuliatorius tuščias. Įkraukite akumuliatorių.

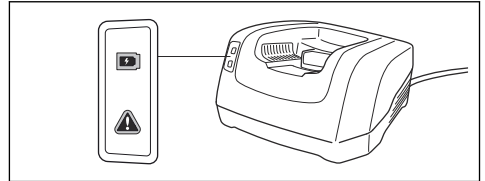
## Akumuliatoriaus įkrovimas

Prieš naudodami pirmą kartą, akumuliatorių įkraukite. Klientui pateikiamas akumuliatorius yra įkrautas tik 30 %.

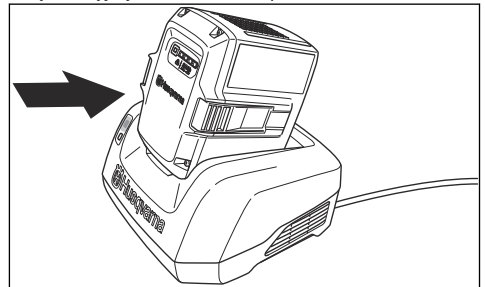
**Pasižymėkite:** Akumuliatorių įkroviklį būtina prijungti prie parametrų plokštelėje nurodytos įtampos ir dažnio maitinimo lizdo.

Akumuliatorius neįkraunamas, jei jo temperatūra aukštesnė nei 50 °C. Prieš pradėdamas įkrauti, akumuliatoriaus įkroviklis sumažina akumuliatoriaus temperatūrą.

1. Prijunkite vieną akumuliatoriaus įkroviklio maitinimo laido galą prie akumuliatoriaus įkroviklio lizdo.
2. Prijunkite kitą akumuliatoriaus įkroviklio maitinimo laido galą prie įžeminto elektros lizdo. Akumuliatoriaus įkroviklio LED indikatorius vieną kartą sumirksės žaliai.



3. Akumuliatorių įstatykite į įkroviklį. Prijungus akumuliatorių prie akumuliatoriaus įkroviklio, įkroviklyje įsižiebia žalia lemputė.



4. Įsižiebus visiems akumuliatoriaus LED indikatoriams, akumuliatorius yra visiškai įkrautas. Akumuliatorių kraukite daugiausia 24 valandas.
5. Norėdami atjungti akumuliatoriaus įkroviklį nuo elektros lizdo, traukite už kištuko, o ne už maitinimo laido.
6. Iš įkroviklio išimkite akumuliatorių.

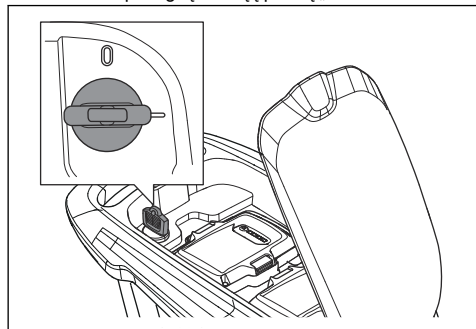
## Akumuliatoriaus įkrovimo būseną

„Husqvarna“ ličio jonų akumuliatorius galima įkrauti ir naudoti nepaisant jų įkrovimo lygio. Akumuliatorius nepažeistas. Visiškai įkrautas akumuliatorius nepraras savo krūvio jį palikus įkroviklyje.

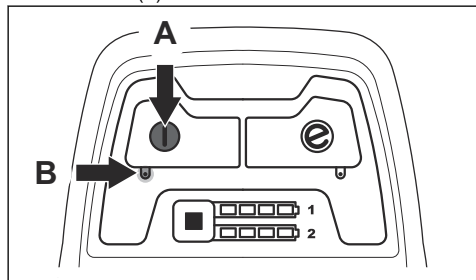
LED ekranas	Įkrovimo būseną
Mirksi 1 diodas	0–25 %
1 diodas mirksi, 2 šviečia	25–50 %
1, 2 diodas šviečia, 3 mirksi	50–75 %
1, 2, 3 diodai šviečia, 4 mirksi	75–100 %
Šviečia 1, 2, 3, 4 šviesos diodai	Visiškai įkrautas

## Gaminio paleidimas

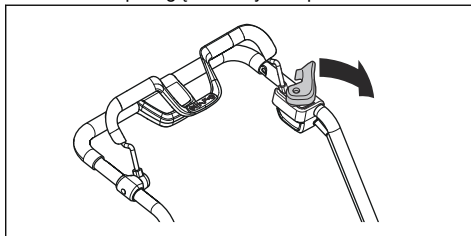
- Įstatykite įkrautą akumuliatorių į 1 akumuliatoriaus skyrių po akumuliatoriaus gaubtu. Jei norėsite dirbti ilgiau, įstatykite antrą įkrautą akumuliatorių į 2 akumuliatoriaus skyrių.
- Pasukite apsauginį raktelį į padėtį „1“.



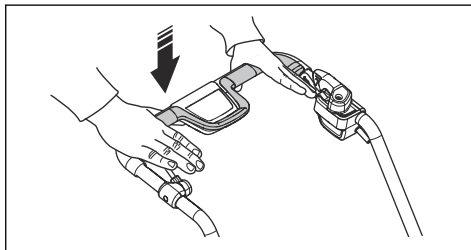
- Stovėkite už gaminio.
- Valdymo skydelyje paspauskite ĮJUNGIMO / IŠJUNGIMO mygtuką (A) ir įsižiebęs žalias LED indikatorius (B).



- Atleiskite apsaugą nuo netycinio paleidimo.



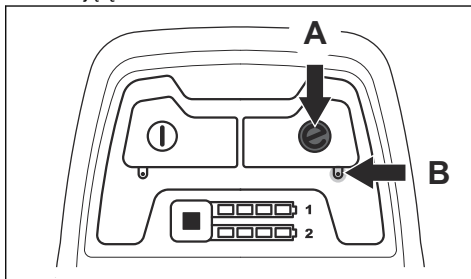
- Pastumkite variklio stabdymo rankeną link gaminio rankenos.



## „Save“ funkcijos naudojimas

Gaminyje yra akumuliatoriaus taupymo funkcija („Save“), leidžianti pailginti naudojimo trukmę.

- Paspauskite mygtuką „Save“ (A), kad įjungtumėte funkciją. Įsižiebęs žalias LED indikatorius.



- Paspauskite mygtuką „Save“ (A) dar kartą, kad išjungtumėte funkciją. Žalias LED indikatorius (B) išsijungs.

„Save“ funkcija sustabdoma automatiškai, jei dėl paviršiaus sąlygų reikalinga didesnė galia. „Save“ funkcija įjungiama automatiškai, kai paviršiaus sąlygos tai leidžia.

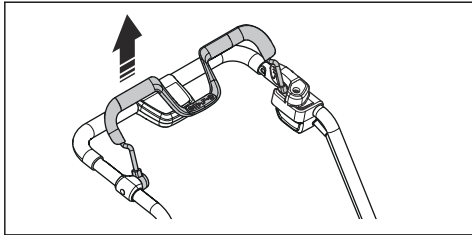
## Didelės apkrovos funkcija

Gaminiai pjaunant aukštą ar šlapią žolę, variklio sukiai automatiškai padidinami. Kai didelės apkrovos funkcija nebūtina, variklis vėl pradeda veikti standartiniu režimu.

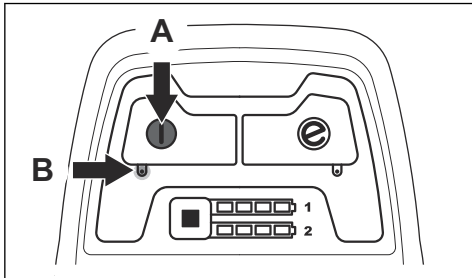
## Gaminio sustabdymas

Gaminys sustabdomas automatiškai, jei nenaudojate jo 10 minučių. Prieš palikdami produktą neprižiūrimą, visada pasukite apsauginį raktelį į padėtį „0“.

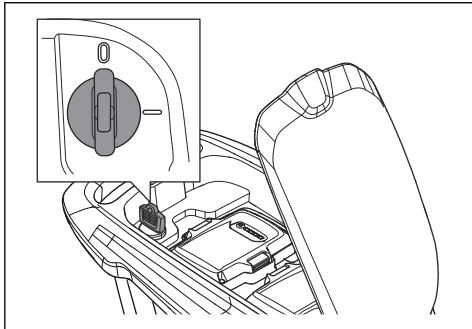
1. Norėdami sustabdyti variklį, atleiskite variklio stabdymo rankeną.



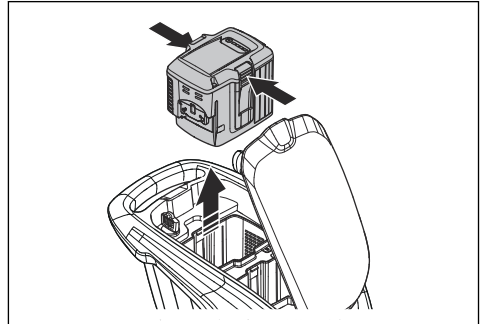
2. Valdymo skydelyje paspauskite ĮJUNGIMO / IŠJUNGIMO mygtuką (A) ir žalias LED indikatorius (B) išsijungs.



3. Atidarykite akumuliatoriaus gaubtą ir pasukite apsauginį raktelį į padėtį „0“.



4. Norėdami išimti akumuliatorių, paspauskite du atlaisvinimo mygtukus ir ištraukite akumuliatorių.



5. Jei akumuliatoriaus įkrova žema, įkraukite jį. Jeigu reikia daugiau informacijos žr. *Akumuliatoriaus įkrovimas psl. 323.*

## Gerų rezultatų gavimas

- Visada naudokite pagalastą peilį. Atšipęs peilis netaisyklingai nupjauna ir žolės paviršius pagelsta. Be to, aštrus peilis naudoja mažiau energijos nei atšipęs.
- Nepjaukite daugiau nei 1/3 žolės ilgio. Pirmiausia nupjaukite nustatę didelį aukštį. Patikrinkite rezultatai ir sumažinkite pjovimo aukštį iki tinkamo lygio. Jeigu žolė tikrai aukšta, judėkite lėtai ir, jei reikia, pjaukite 2 kartus.
- Kiekvieną kartą pjaukite skirtingomis kryptimis, kad vejoje nesusidarytų dryžiai.
- Pjovimo dangtis turi būti visuomet švarus. Prikibusi žolė ir purvas vidinėje pjovimo dangčio dalyje gali turėti įtakos pjovimo rezultatams. Žr. *Gaminio valymas psl. 326.*

## Techninė priežiūra

### Įvadas



**PERSPĖJIMAS:** Prieš atlikdami priežiūros darbus perskaitykite ir supraskite saugos skyriaus informaciją.

Visiems gaminio techninės priežiūros ir remonto darbams reikia specialių apmokymų. Garantuojame profesionalaus remonto ir techninės priežiūros darbų pasiekiamumą. Jei jūsų pardavėjas nėra techninės priežiūros atstovas, paprašykite jo informacijos apie artimiausią techninės priežiūros atstovą.

## Priežiūros grafikas

Techninės priežiūros intervalai apskaičiuojami pagal kasdienį gaminio naudojimą. Intervalai keičiasi, jei gaminys naudojamas kasdien.

Techninės priežiūros informacijos, pažymėtos \*, žr. instrukcijas, pateikiamas *Gaminio apsauginės priemonės psl. 317.*

	Kiekvieną kartą naudojant	Kiekvieną mėnesį	Kas sezoną
Atlikti bendrąją apžiūrą	X		
Nuvalyti įrenginį	X		
Patikrinti apsaugą nuo netyčinio užvedimo *	X		
Įsitikinti, kad gaminio saugos įtaisai nepažeisti *	X		
Patikrinti pjovimo įrangą	X		
Patikrinti pjovimo įrangos gaubtą *	X		
Patikrinti variklio stabdymo rankeną *	X		
Įsitikinti, kad tinkamai veikia ir nepažeistas ĮJUNGIMO / IŠJUNGIMO mygtukas	X		
Patikrinti, ar nepažeistas akumuliatorius	X		
Patikrinti akumuliatoriaus įkrovą	X		
Patikrinti, ar tinkamai veikia akumuliatoriaus atlaisvinimo mygtukai ir ar akumuliatorius užsifiksuoja gaminyje	X		
Patikrinti, ar nepažeistas akumuliatoriaus įkroviklis, ir įsitikinti, kad jis veikia tinkamai		X	
Patikrinti jungtis tarp akumuliatoriaus ir gaminio. Taip pat patikrinti jungtį tarp akumuliatoriaus ir akumuliatoriaus įkroviklio.			X

## Bendroji apžiūra

- Įsitinkite, kad gaminio varžzlės ir varžtai priveržti.
- Įsitinkite, kad gaminio kabeliai nėra tokioje padėtyje, kurioje jie galėtų būti pažeisti.

## Gaminio valymas

- Plastikines dalis valykite švaria ir sausa šluoste.
- Valydami gaminį nenaudokite vandens. Vandeniui pateikus į akumuliatorių arba variklį gali įvykti trumpasis jungimas arba gaminys gali sugesti.
- Gaminio neplaukite aukšto slėgio plovimo aparatu.
- Nepilkite vandens tiesiai ant variklio.
- Lapus, žolę ir purvą nuvalykite šepčiu.

## Akumuliatoriaus ir akumuliatoriaus įkroviklio valymas



**PERSPĖJIMAS:** Nevalykite akumuliatoriaus ar įkroviklio vandeniu.

- Prieš prijungdami akumuliatorių prie įkroviklio, įsitinkite, kad akumuliatorius ir akumuliatoriaus įkroviklis yra švarūs ir sausi.
- Nupūskite akumuliatoriaus gnybtus suspaustu oru ir nuvalykite švelnia ir sausa šluoste.
- Nuvalykite akumuliatorių ir akumuliatoriaus įkroviklį švelnia ir sausa šluoste.

## Pjovimo įrangos patikrinimas



**PERSPĖJIMAS:** Kad išvengtumėte netyčinio paleidimo, pasukite apsauginį raktelį į padėtį „0“, išimkite akumuliatorių ir palaukite mažiausiai 5 sekundes.



**PERSPĖJIMAS:** Pjovimo įrangos techninės priežiūros darbus atlikite apsimovę apsaugines pirštines. Peilis labai aštrus ir gali lengvai įpjauti.

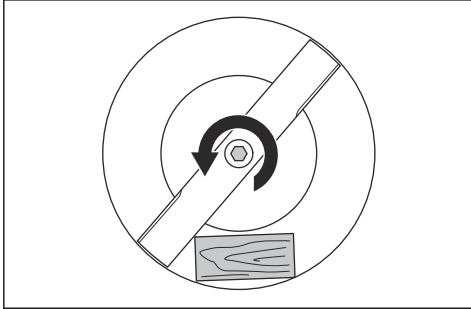
1. Patikrinkite, ar pjovimo įrangą nepažeista ir neįskilusi. Visada pakeiskite pažeistą pjovimo įrangą.

2. Apžiūrėkite peilį, ar jis nepažeistas ir neatšipęs.

**Pasižymėkite:** Pagalandus peilį jį reikia subalansuoti. Pagalasti, pakeisti ir subalansuoti peilį turi techninės priežiūros centro darbuotojai. Jei susidūrėte su kliūtimi, dėl kurios įrenginys sustojo, pakeiskite pažeistą peilį. Leiskite techninės priežiūros centro darbuotojams nuspręsti, ar peilį dar galima galasti, ar jau reikia keisti.

## Peilio keitimas

1. Užfiksuokite peilį medžio bloku.



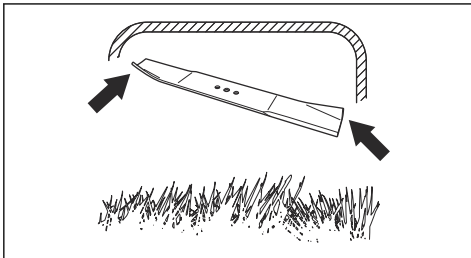
2. Nusukite peilio tvirtinimo varžtą.

3. Nuimkite peilį.

4. Patikrinkite peilio atramą ir peilio tvirtinimo varžtą, ar jie nepažeisti.

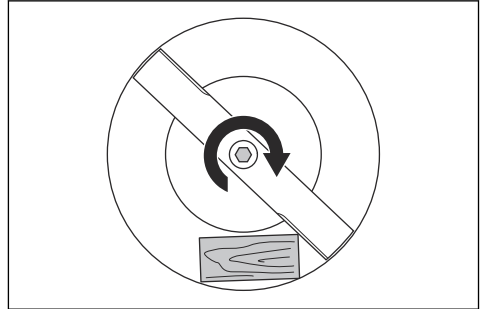
5. Patikrinkite variklio veleną, kad įsitikintumėte, ar jis nesulenktas.

6. Įdėję naują peilį nukreipkite jo kampus pjovimo įrangos gaubto kryptimi.



7. Įsitinkite, kad peilis sulygiuotas su variklio veleno centru.

8. Užfiksuokite peilį medžio bloku. Uždėkite spyruoklės poveržlę ir pritvirtinkite varžtą ir poveržlę 23–28 Nm sukimo momento jėga.



9. Ranka pasukite peilį ir patikrinkite, ar jis laisvai sukasi.



**PERSPĖJIMAS:** Apsimaukite pirštines sunkiam darbui. Peilis labai aštrus ir gali lengvai įpjauti.

10. Paleiskite gaminį, kad išbandytumėte peilį. Jei peilis netinkamai uždėtas, gaminys vibruoja arba pjaunama nepakankamai gerai.

## Gedimai ir jų šalinimas

### Akumulatorius

Akumulatoriaus LED	Priežastis	Sprendimas
Mirksi žalias šviesos diodas.	Akumulatoriaus įtampa žema.	Įkraukite akumuliatorių. Žr. <i>Akumulatoriaus įkrovimas psl. 323.</i>

Akumulatoriaus LED	Priežastis	Sprendimas
Mirksi klaidos šviesos diodas.	Silpna akumulatoriaus įkrova.	Įkraukite akumuliatorių. Žr. <i>Akumulatoriaus įkrovimas psl. 323</i> .
	Temperatūra darbo aplinkoje per aukšta arba per žema.	Akumuliatorių naudokite nuo -10 °C iki 40 °C temperatūroje.
	Viršįtampis.	Įsitikinkite, kad maitinimo tinklo įtampa atitinka gaminio duomenų lentelėje nurodytą įtampą. Iš įkroviklio išimkite akumuliatorių. Palaukite 5 sekundes ir vėl pabandykite įkrauti akumuliatorių. Jei problema išlieka, pasikonsultuokite su patvirtintu techninės priežiūros atstovu.
Šviečia klaidos šviesos diodas.	Elementų skirtumas per didelis (1 V).	Kreipkitės į patvirtintą techninės priežiūros atstovą.

## Akumulatoriaus įkroviklis

Akumulatoriaus įkroviklio LED	Priežastis	Sprendimas
Mirksi klaidos šviesos diodas.	Temperatūra darbo aplinkoje per aukšta arba per žema.	Akumulatoriaus įkroviklį naudokite nuo 5 °C iki 40 °C temperatūroje.
Šviečia klaidos šviesos diodas.		Kreipkitės į patvirtintą techninės priežiūros atstovą.

## Valdymo skydelis

Jei susiduriate su problemomis, kurios nenurodytos šioje dalyje, kreipkitės į techninės priežiūros atstovą.

Klaviatūra	Klaidos kodas (sumirksėjimų skaičius)	Galimi gedimai	Galimi veiksmai
Mirksi klaidos diodas	3	Variklis perkrautas	Padidinkite įjovimo aukštį. Žr. <i>Įjovimo aukščio nustatymas psl. 323</i>
	5	Variklio greitis per daug sumažėja ir variklis sustoja	
	10	Per daug įkaitęs variklio valdiklis	Išjunkite variklį ir palaukite, kol jis atvės
	2	Užblokuotas peilis	Kad išvengtumėte netyčinio paleidimo, pasukite apsauginį raktelį į padėtį „0“, išimkite akumuliatorių ir palaukite mažiausiai 5 sekundes. Įsitikinkite, kad peilis gali laisvai sukstis. Jeigu problema kartojasi, kreipkitės į įgaliotąjį techninės priežiūros atstovą.
	9	Akumulatoriaus klaida arba nėra akumulatoriaus signalo	Tinkamai įstatykite akumuliatorių į gaminį ir patikrinkite akumulatoriaus jungtį. Jei klaidos LED indikatorius akumulatoriuje mirksi, žr. <i>Akumulatorius psl. 323</i> .



Klaviatūra	Klaidos kodas (sumirkšėjimų skaičius)	Galimi gedimai	Galimi veiksmai
Gaminys sustoja	8	Silpna akumulatoriaus įkrova	Įkraukite akumuliatorių. Žr. <i>Akumuliatoriaus įkrovimas psl. 323</i>
	0	Akumulatoriaus jungties gedimas	Patikrinkite akumulatoriaus jungtį

## Transportavimas, saugojimas ir utilizavimas

### Įvadas



**PERSPĖJIMAS:** Kad išvengtumėte netyčinio paleidimo transportavimo metu, pasukite apsauginį raktelį į padėtį „0“, išimkite akumuliatorių ir palaukite mažiausiai 5 sekundes.

- Akumuliatorių laikykite aplinkoje, kurios temperatūra yra nuo 5 °C iki 25 °C ir kurios nepasiekia tiesioginiai saulės spinduliai.
- Akumulatoriaus įkroviklį laikykite aplinkoje, kurios temperatūra yra nuo 5 °C iki 45 °C ir kurios nepasiekia tiesioginiai saulės spinduliai.
- Prieš saugodami ilgesnį laiką pasirūpinkite, kad akumulatorius būtų įkrautas 30–50 %.
- Gaminį, akumuliatorių ir akumuliatoriaus įkroviklį laikykite rakinamoje patalpoje, kur jų negalėtų pasiekti vaikai ir pašaliniai asmenys.
- Prieš saugodami gaminį ilgesnį laiką, išvalykite jį ir atlikite visus techninės priežiūros darbus.

### Transportavimas

- Įdėtiems ličio jonų akumulatoriams taikomos pavojingų krovinių gabenimo taisyklės.
- Jeigu krovinyms gabenamas komerciniu transportu, būtina laikytis specialių reikalavimų dėl pakavimo ir žymėjimo.
- Ruošdamiesi gaminį transportuoti, užtikrinkite, kad būtų laikomasi pavojingų medžiagų tvarkymo taisyklių. Gali būti taikomi vietos teisės aktai.
- Transportavimo metu visuomet išimkite akumuliatorių.
- Ant akumulatoriaus jungčių užklijuokite izoliacinę juostą ir įsitinkinkite, kad transportuojant akumuliatorius nejudės.
- Transportuodami gaminį, jį pritvirtinkite.

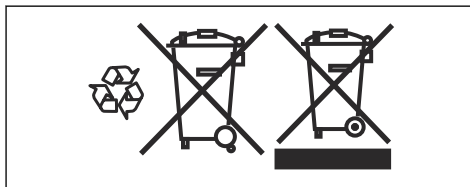
### Saugojimas

- Saugojimo metu visuomet išimkite akumuliatorių.
- Kad išvengtumėte nelaimingų atsitikimų, įsitinkinkite, jog akumuliatorius saugojimo metu nėra prijungtas prie gaminio.
- Akumuliatoriaus įkroviklį laikykite uždaroje ir sausoje aplinkoje.
- Akumuliatorių ir akumuliatoriaus įkroviklį laikykite sausoje ir šiltoje vietoje.
- Saugodami atjunkite akumuliatorių nuo akumuliatoriaus įkroviklio.
- Nelaikykite akumuliatoriaus tokioje vietoje, kur gali susidaryti statinis krūvis. Nelaikykite akumuliatoriaus metalinėje dėžutėje.

### Utilizavimas

Ant gaminio ar ant jo pakuotės pateikti simboliai rodo, kad šio gaminio negalima išmesti kartu su buitineis atliekomis. Įrenginį reikia atiduoti į atitinkamą perdirbimo įmonę, kuri utilizuotų elektrines ir elektronines dalis.

Rūpindamiesi, kad šis gaminys būtų tvarkomas teisingai, padedate išvengti galimo neigiamo poveikio aplinkai ir žmonėms, kurį gali sukelti netinkamas šio gaminio atliekų tvarkymas. Jei reikia daugiau informacijos apie šio gaminio perdirbimą, kreipkitės į savivaldybę, buitinių atliekų tvarkymo tarnybą arba parduotuvę, kurioje įsigijote gaminį.



## Techniniai duomenys

	<b>LB 146i</b>
<b>Peilių variklis</b>	
Variklio tipas	BLDC (be šepetėlių) 36 V
Variklio greitis – „SavE“, rpm	2 600
Variklio greitis – nominalus, rpm	3000
Variklio greitis – didelė apkrova, rpm	3500
Variklio galingumas – maks., kW	1,05
Variklio galingumas – nominalus, kW	0,9
Viršįtampio riba (įtampos riba: 900W-27A)	27 (+/-) 1A
<b>Svoris</b>	
Svoris be akumulatoriaus, kg	16,9
<b>Akumulatorius</b> <sup>57</sup>	
Akumulatoriaus tipas	„Husqvarna“ akumuliatorių serija
<b>Akumulatoriaus veikimo laikas</b>	
Akumulatoriaus veikimo laikas, min, (laisva eiga) įjungus „SavE“ funkciją, su vienu „Husqvarna“ 5,2 Ah akumuliatoriumi („BLi200“).	77
Akumulatoriaus veikimo laikas, min, (laisva eiga) standartiniu režimu, su vienu „Husqvarna“ 5,2 Ah akumuliatoriumi (BLi200).	45
<b>Skleidžiamas triukšmas</b> <sup>58</sup>	
Garso galios lygis, išmatuotas dB (A)	90
Garso galios lygis, garantuojamas L <sub>WA</sub> dB (A)	91
<b>Garso lygiai</b> <sup>59</sup>	
Operatoriaus ausį veikiantis garso slėgis, dB (A)	79
<b>Vibracijos lygis</b> <sup>60</sup>	
Rankena, m/s <sup>2</sup>	0,9
<b>Pjovimo įranga</b>	
Pjovimo aukštis, mm	35-70 mm
Pjovimo plotis, cm	46
Peilis	BioClip

<sup>57</sup> Siekiantiems geriausių rezultatų ir našumo rekomenduojame „Husqvarna“ akumuliatorių BLi200.

<sup>58</sup> Triukšmas, skleidžiamas į aplinką, išmatuotas kaip garso galia (L<sub>WA</sub>) pagal EB direktyvą 2000/14/EB.

<sup>59</sup> Pateiktųjų triukšmo slėgio duomenų būdingoji statistinė sklaida (standartinis nuokrypis) lygi 1,2 dB (A).

<sup>60</sup> Pateiktuose vibracijos lygio duomenyse yra 0,2 m/s<sup>2</sup> tipiška statistinė sklaida (standartinis nuokrypis). Vibracijos standartas EN 60335-2-77:2017, 20.105 skyrius

	<b>LB 146i</b>
Gaminio numeris	5947022-10

Patvirtinti akumulatoriai	Tipas	Akumulatoriaus talpa, Ah	Įtampa, V	Svoris, svar. / kg
BLi20	Ličio jonų	4,0	36	2,6 / 1,2
BLi200	Ličio jonų	5,2	36	2,8 / 1,3
BLi300	Ličio jonų	9,4	36	4,2 / 1,9

Patvirtinti įkrovikliai nurodytiems akumulatoriams, BLI	Įvado įtampa, V	Dažnis, Hz	Galia, W
QC80	100–240	50–60	100
QC80F	10–15	Netaikoma	95
QC330	100–240	50–60	330
QC500	100–240	50–60	500
40-C80	100–240	50–60	68,8

---

## EB atitikties deklaracija

---

### EB atitikties deklaracija

„Husqvarna AB“, SE-561 82 Huskvarna, Švedija, tel.  
+46-36-146500, patvirtina, kad **vejapjovės Husqvarna**  
**LB 146i**, pagamintos nuo 2021, atitinka šių TARYBOS  
DIREKTYVŲ reikalavimus:

- 2011 m. birželio 8 d. direktyvos **2011/65/ES** dėl tam tikrų pavojingų medžiagų naudojimo;
- 2006 m. gegužės 17 d. direktyvos **2006/42/EB** dėl mašinų;
- 2014 m. vasario 26 d. direktyvos **2014/30/ES** dėl elektromagnetinio suderinamumo;
- 2000 m. gegužės 8 d. direktyvos **2000/14/EB** dėl į aplinką skleidžiamo triukšmo.

Daugiau informacijos apie triukšmo emisiją žr.  
„Techniniai duomenys“.

Taikyti šie standartai:

**EN 60335-1:2012+A11:2014+A13:2017, EN**  
**60335-2-77:2010, EN 62233:2008, EN**  
**55014-1:2017+A11:2020, EN 55014-2:2015, EN IEC**  
**63000:2018**

Jei nenurodyta kitaip, taikomos naujausios paskelbtos  
nurodytų standartų versijos.

Notifikuotoji įstaiga: **0404, RISE SMP Svensk**  
**Maskinprovning AB, Box 7035, SE-750 07 Uppsala**  
atliko atitikties vertinimą pagal Direktyvos 2000/14/EB VI  
priedą.

Huskvarna, 2021-10-30



Claes Losdal, plėtos vadovas / sodo produktai  
(įgaliotasis „Husqvarna AB“ atstovas, atsakingas už  
techninę dokumentaciją.)

## Saturs

Ievads.....	333	Problēmu novēršana.....	350
Drošība.....	336	Pārvadāšana, glabāšana un utilizēšana.....	351
Montāža.....	343	Tehniskie dati.....	352
Lietošana.....	345	EK atbilstības deklarācija.....	354
Apkope.....	348		

## Ievads

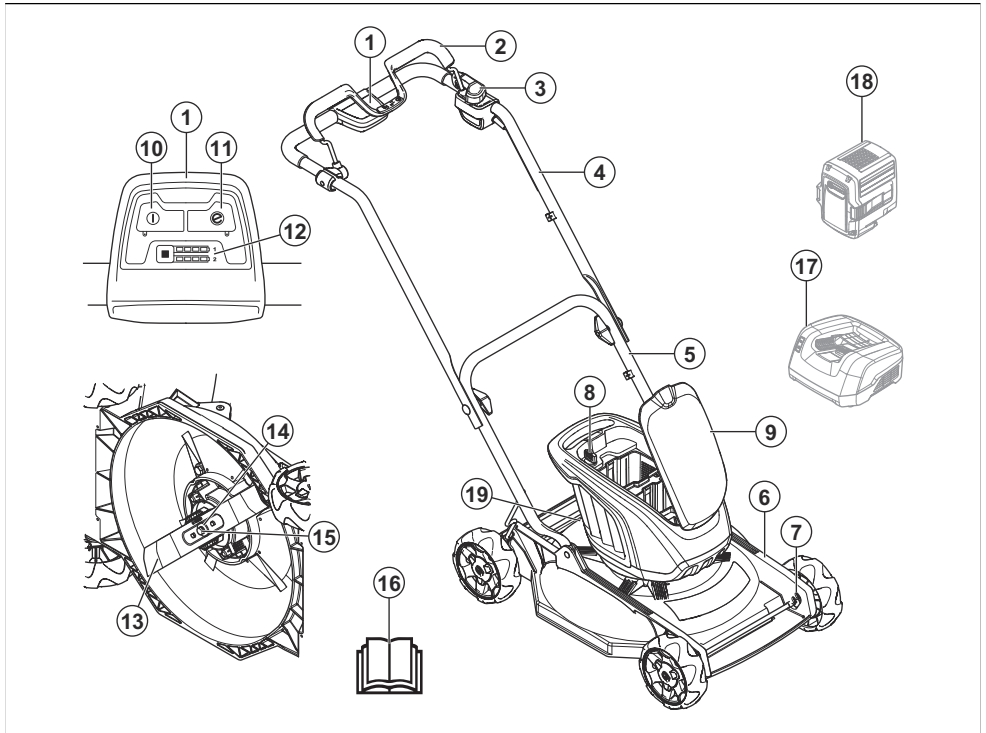
### Izstrādājuma apraksts

Izstrādājums ir gājēja vadīts rotējošs zālesplāvējs, kas izmanto BioClip zāles sagriešanai, lai to izmantotu kā mēslojumu.

### Paredzētā lietošana

Izmantojiet izstrādājumu, lai apgrieztu zāli. Nelietojiet izstrādājumu citiem uzdevumiem.

### Izstrādājuma pārskats



1. Vadības panelis
2. Motora bremžu rokturis
3. Iedarbināšanas ierobežotājs
4. Augšējais rokturis
5. Apakšējais rokturis
6. Griezēja pārsegs
7. Griešanas augstuma vadības ierīce
8. Drošības atslēga
9. Akumulatora pārsegs
10. IESLĒGŠANAS/IZSLĒGŠANAS slēdzis
11. SavE poga
12. Akumulatora uzlādes indikators un akumulatora poga
13. Asmens

14. Atsperpaplāksne
15. Asmens skrūve
16. Lietotāja rokasgrāmata
17. Akumulatora lādētājs (piederums)
18. Akumulators (piederums)
19. Datu plāksnīte ar QR kodu

## Simboli uz izstrādājuma



**Brīdinājums.** Pavirša vai nepareiza lietošana var radīt smagas vai nāvējošas traumas lietotājam vai citiem.



Rūpīgi izlasiet šo lietotāja rokasgrāmatu un pirms izstrādājuma lietošanas pārlicinieties, vai izprotat instrukcijas.



Nodrošiniet, lai darba zonā neatrastos cilvēki un dzīvnieki.



Uzmanieties no izmestiem un rikošetā atlecošiem priekšmetiem.



**Brīdinājums.** Turiet rokas un kājas drošā attālumā no rotējošā asmens.



**Brīdinājums.** Turiet rokas un kājas drošā attālumā no rotējošajām daļām.



**Pirms remonta vai apkopes darbu veikšanas izņemiet drošības atslēgu**



**Nepakļaujiet ierīci lietus iedarbībai**



**Izstrādājums vai iepakojums nav sadzīves atkritumi. Utilizējiet to elektrisko un elektronisko ierīču pārstrādes uzņēmumā.**



Šis produkts atbilst spēkā esošajām EK direktīvām.



Šis produkts atbilst spēkā esošajām Baltkrievijas, Kazahstānas un Krievijas Muitas savienības direktīvām.



Šis izstrādājums atbilst spēkā esošajām UkrSEPRO direktīvām.



Šis produkts atbilst spēkā esošajām RCM direktīvām. Attiecas tikai uz Austrāliju un Jaunzēlandi.



Trokšņa emisijas līmenis atbilst Eiropas Kopienas direktīvai. Izstrādājuma

emisiju līmenis ir norādīts sadaļā “Tehniskie dati” un uz uzlīmes.

## IPX1 IPX1 — aizsargāts pret šļakatām



Iedarbināšanas procedūra: nospiediet ieslēgšanas/izslēgšanas pogu, atbrīvojiet iedarbināšanas ierobežotāju, nospiediet motora bremžu rokturi uz leju.



Atlaidiet motora bremžu rokturi, lai apturētu.

**Piezīme:** Pārējie uz izstrādājuma norādītie simboli/norādes atbilst dažu valstu sertifikācijas prasībām.

## Marķējumi uz izstrādājuma



BĪSTAMI! Netuviniet rokas un kājas.

## Atbildība par izstrādājuma kvalitāti

Saskaņā ar likumiem par izstrādājuma kvalitāti mēs neuzņemamies atbildību par bojājumiem, ko radījis mūsu izstrādājums, ja:

- ir veikts nepareizs izstrādājuma remonts;
- izstrādājuma remonts ir veikts, izmantojot detaļas, ko nav nodrošinājis vai apstiprinājis ražotājs;
- izstrādājumam tiek pievienots piederums, ko nav nodrošinājis vai apstiprinājis ražotājs;
- izstrādājuma remonts nav veikts pilnvarotā remontdarbnīcā vai pie pilnvarota speciālista.

### Drošības definīcijas

Brīdinājumi, norādes “Uzmanību!” un piezīmes tiek izmantotas, lai izceltu īpaši svarīgas lietotāja rokasgrāmatas daļas.



**BRĪDINĀJUMS:** Tiek izmantota tad, ja rokasgrāmatā sniegto instrukciju neievērošanas dēļ operatoram vai blakus esošajām personām draud traumu vai nāves risks.



**IEVĒROJIET:** Tiek izmantota tad, ja rokasgrāmatā sniegto instrukciju neievērošanas dēļ rodas izstrādājuma, citu materiālu vai blakus esošās teritorijas bojājuma risks.

**Piezīme:** Tiek izmantota, lai sniegtu plašāku informāciju, kas nepieciešama attiecīgajā situācijā.

### Vispārīgi norādījumi par drošību



**BRĪDINĀJUMS:** Pirms sākat lietot izstrādājumu, izlasiet tālāk izklāstītās brīdinājuma instrukcijas.

- Šis izstrādājums ir bīstams, ja to lieto nepareizi vai ja nerīkojaties piesardzīgi. Drošības instrukciju neievērošana var izraisīt traumas vai nāvi.
- Šis izstrādājums darbības laikā rada elektromagnētisko lauku. Noteiktos apstākļos šis lauks var traucēt aktīvā vai pasīvā medicīniskā implantāta darbību. Lai samazinātu nopietnas traumas gūšanas vai dzīvības zaudēšanas risku, mēs iesakām personām, kam ir medicīniskie implantāti, pirms šī izstrādājuma lietošanas konsultēties ar savu ārstu un medicīniskā implantāta ražotāju.
- Vienmēr rīkojieties piesardzīgi un saprātīgi. Ja neesat drošs par to, kā izmantot šo izstrādājumu konkrētā situācijā, pārtrauciet darbu un sazinieties ar savu Husqvarna izplatītāju, pirms turpināt.



- Paturiet prātā, ka operators ir atbildīgs par negadījumiem, kuros iesaistītas citas personas.
- Gādājiet, lai izstrādājums ir tīrs. Pārliecinieties, ka varat skaidri izlasīt zīmes un uzlīmes.
- Nekādā gadījumā neļaujiet lietot ierīci bērniem vai cilvēkiem, kas nepārzina instrukcijas. Lietotāja vecums var būt norādīts vietējos noteikumos
- Ja izstrādājumu izmanto persona ar samazinātām fiziskajām vai garīgajām spējām, vienmēr uzraugiet šo personu. Tuvumā vienmēr jābūt pieaugušajam.
- Neizmantojiet šo izstrādājumu, ja esat noguris, slims vai esat alkohola, narkotiku vai medikamentu izraisītā reibumā. Šāds stāvoklis negatīvi ietekmē jūsu redzi, modrību, koordināciju un spriestspēju.
- Neizmantojiet izstrādājumu, ja tas ir bojāts.
- Neveiciet izmaiņas šajā izstrādājumā un neizmantojiet to, ja ir iespējams, ka citas personas tajā ir veikušas izmaiņas.

## Darba zonas drošība



**BRĪDINĀJUMS:** Pirms sākat lietot šo izstrādājumu, izlasiet zemāk izklāstītos brīdinājumus.

- Pirms izmantojat izstrādājumu, noņemiet no darba zonas priekšmetus, piemēram, zarus, žaģarus un akmeņus.
- Priekšmeti, kas saskaras ar griešanas ierīci, var atlēkt un nodarīt kaitējumu personām vai citiem priekšmetiem. Gādājiet, lai citi cilvēki un dzīvnieki atrastos drošā attālumā no izstrādājuma.
- Nekad neizmantojiet izstrādājumu sliktos laika apstākļos, piemēram, miglā, lietū, stiprā vējā, lielā aukstumā un pērkona negaisa laikā. Izstrādājuma izmantošana sliktos laika apstākļos vai mitrā vai slapjā vietā ir nogurdinoša. Slikti laikapstākļi var izraisīt bīstamas situācijas, piemēram, padarot virsmas slidenas.
- Pārliecinieties, vai nav personu, priekšmetu un situāciju, kas var kavēt izstrādājuma drošu darbību.

- Skatieties, vai nav šķēršļu, piemēram, sakņu, akmeņu, zaru, bedru un grāvju. Garā zālē var atrasties dažādi šķēršļi.
- Pļaušana uz nogāzēm var būt bīstama. Nepļaujiet ļoti stāvās nogāzēs. Neizmantojiet izstrādājumu uz virsmas, kuras slīpums pārsniedz 15°
- Mainot braukšanas virzienu nogāzē, esiet īpaši piesardzīgs. Uz nogāzēm ar izstrādājumu strādājiet, virzoties šķērsām tām. Nepārvietojieties augšup un lejup.
- Esiet uzmanīgi, kad tuvojaties stūriem, aiz kuriem nekas nav redzams, un priekšmetiem, kas aizsedz redzamību.
- Pārlicinieties, vai zināt, kā ārkārtas situācijā ātri apturēt dzinēju.
- Nedarbiniet produktu lietus laikā un nepakļaujiet to lietus vai mitruma iedarbībai. Ja produktā iekļūst ūdens, palielinās elektriskās strāvas trieciena risks.
- Nedarbiniet izstrādājumu, ja asmens un visi pārsegi nav piestiprināti pareizi. Nepareizi piestiprināts asmens var kļūt vaļīgs un izraisīt traumas personai.
- Pārlicinieties, ka asmens neatsitas pret priekšmetiem, piemēram, akmeņiem un saknēm. Tas var sabojāt asmeni un saliekt dzinēja vārpstu. Saliekts asmens izraisa stipru vibrāciju un rada ļoti lielu risku, ka asmens kļūst vaļīgs.
- Ja asmens saskaras ar priekšmetu vai rodas spēcīgas vibrācijas, nekavējoties izslēdziet izstrādājumu. Izslēdziet dzinēju, pagrieziet drošības atslēgu pozīcijā "0" un izņemiet akumulatoru. Pārbaudiet, vai izstrādājumā nav bojājumu. Novērsiet bojājumus vai ļaujiet pilnvarotā servisa pārstāvim veikt remontu.

## Darba drošība



**BRĪDINĀJUMS:** Pirms sākat lietot izstrādājumu, izlasiet tālāk izklāstītās brīdinājuma instrukcijas.

- Izmantojiet šo izstrādājumu tikai zālienu pļaušanai. Izstrādājumu nav atļauts izmantot citu darbu veikšanai.
- Lietojiet individuālos aizsardzības līdzekļus. Skatiet šeit: *Individuālie aizsarglīdzekļi lpp. 339.*

- Nekādā gadījumā nepiestipriniet dzinēja bremžu rokturi pastāvīgi rokturim, kad dzinējs ir iedarbināts.
- Novietojiet izstrādājumu uz stabilas, līdzenas virsmas un iedarbiniet to. Pārliedzinieties, vai asmens nepieskaras zemei vai citiem priekšmetiem.
- Darbinot izstrādājumu, vienmēr stāviet aiz tā.
- Darbinot izstrādājumu, raugiet, lai visi četri riteņi atrodas uz zemes un turiet rokturi ar abām rokām. Turiet rokas un kājas drošā attālumā no rotējošiem asmeņiem.
- Nekad nenolieciet izstrādājumu dzinēja darbības laikā.
- Esiet piesardzīgs, velkot izstrādājumu uz aizmuguri.
- Nekādā gadījumā neceliet izstrādājumu uz augšu dzinēja darbības laikā. Ja zāles plāvējs ir jāpaceļ, vispirms izslēdziet dzinēju, pagrieziet drošības atslēgu pozīcijā "0" un izņemiet akumulatoru.
- Neejiet atmuguriski izstrādājuma lietošanas laikā.
- Izslēdziet dzinēju, kad pārvietojaties pa teritorijām, ko neklāj zāle, piemēram, pa grants, akmens vai asfalta celiņiem.
- Nekādā gadījumā neskrieniet ar izstrādājumu dzinēja darbības laikā. Darbinot izstrādājumu, vienmēr ejiet.
- Apturiet dzinēju, pirms maināt griešanas augstumu. Nekādā gadījumā nemēģiniet veikt regulēšanas darbus dzinēja darbības laikā.
- Nekad neatstājiet izstrādājumu bez uzraudzības dzinēja darbības laikā. Izslēdziet dzinēju un pārliedzinieties, vai griešanas aprīkojums nerotē.

#### Norādījumi par drošu darbu

#### Individuālie aizsarglīdzekļi



**BRĪDINĀJUMS:** Pirms sākat lietot izstrādājumu, izlasiet tālāk izklāstītās brīdinājuma instrukcijas.

- Šādi līdzekļi nevar pilnībā novērst traumu gūšanas risku, taču samazina traumu smaguma pakāpi, ja negadījums tomēr notiek. Ļaujiet izplatītājam palīdzēt jums izvēlēties pareizo aprīkojumu.
- Velciet izturīgus zābakus vai kurpes, kas neslīd. Nevelciet valējas kurpes un neejiet ar basām kājām.
- Velciet izturīgas garās bikses.

- Vajadzības gadījumā izmantojiet aizsargcimdus, piemēram, piestiprinot, pārbaudot vai tīrot griešanas aprīkojumu.

### Izstrādājuma drošības ierīces



**BRĪDINĀJUMS:** Pirms sākat lietot izstrādājumu, izlasiet tālāk izklāstītās brīdinājuma instrukcijas.

- Nelietojiet izstrādājumu ar bojātām drošības ierīcēm.
- Regulāri pārbaudiet drošības ierīces. Ja drošības ierīces ir bojātas, sazinieties ar savu Husqvarna servisa pārstāvi.

### Griezēja pārsega pārbaude

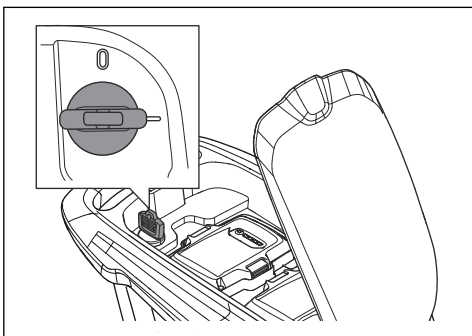
Griezēja pārsegs samazina izstrādājuma vibrācijas un asmens radītu ievainojumu gūšanas risku.

- Pārbaudiet griezēja pārsegu, lai pārliecinātos, vai nav bojājumu, piemēram, plaisu.

### Drošības atslēga

Drošības atslēga ir zem akumulatora pārsega. Drošības atslēga savieno akumulatoru, kas dzinējam nodrošina jaudu.

- Lai pārbaudītu drošības atslēgu, iedarbiniet un izslēdziet motoru.
- Ja drošības atslēga darbojas pareizi, motoru var iedarbināt tikai, kad drošības atslēga tiek pagriezta pozīcijā "1".

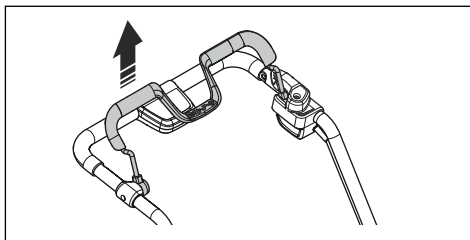


### Motora bremžu rokturis

Dzinēja bremžu rokturis aptur dzinēju. Atlaižot dzinēja bremžu rokturi, dzinējs apstājas.

Lai pārbaudītu dzinēja bremzes, iedarbiniet dzinēju un pēc tam atlaižiet dzinēja bremžu rokturi. Ja dzinējs

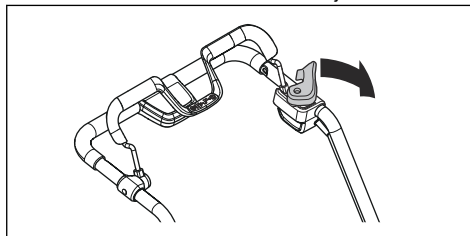
neapstājas 3 sekundēs, lieciet pilnvarotā Husqvarna apkopes pārstāvim noregulēt dzinēja bremzes.



### Iedarbināšanas ierobežotāja pārbaude

Pārbaudiet iedarbināšanas ierobežotāju, lai pārliecinātos, ka tas novērš dzinēja darbību.

1. Pabīdīet bremžu rokturi stūres virzienā. Iedarbināšanas ierobežotājs aptur kustību.
2. Izstumiet iedarbināšanas ierobežotāju.



3. Atlaidiet iedarbināšanas ierobežotāju un pārliecinieties, ka tas atgriežas sākotnējā pozīcijā.

### Akumulatora drošības norādes



**BRĪDINĀJUMS:** Pirms sākat lietot izstrādājumu, izlasiet tālāk izklāstītās brīdinājuma instrukcijas.

- Izmantojiet Husqvarna atkārtoti uzlādējamus akumulatorus kā strāvas avotu tikai saistītiem Husqvarna produktiem. Lai nepieļautu traumu gūšanas risku, akumulatoru nedrīkst izmantot kā citu izstrādājumu strāvas avotu.

- Nelietojiet vienreiz lietojamus akumulatorus.
- Elektriskās strāvas trieciena risks. Nesavienojiet akumulatora spaiļas ar atslēgām, monētām, skrūvēm vai citiem metāla priekšmetiem. Tas var izraisīt akumulatora īssavienojumu.
- Neievietojiet nekādus priekšmetus akumulatora gaisa atverēs.
- Neglabājiet akumulatoru vietās, ka ir pakļautas tiešai saulesgaismai, karstumam vai atklātām liesmām.

Akumulators var eksplodēt un radīt apdegumus un/vai ķīmiskos apdegumus.

- Akumulatoru nedrīkst pakļaut lietus un mitruma ietekmei.
- Akumulatoru nedrīkst pakļaut mikroviļņu un augsta spiediena ietekmei.
- Akumulatoru nedrīkst izjaukt vai saspiest.
- Ja rodas akumulatora noplūde, neļaujiet šķidrumam nonākt saskarē ar ķermeni vai acīm. Ja pieskaraties šķidrumam, nomazgājiet skarto vietu ar lielu daudzumu ūdens un meklējiet medicīnisko palīdzību.

- Akumulatoru drīkst temperatūrā no -10 °C līdz 40 °C.
- Netīriet akumulatoru un tā lādētāju ar ūdeni. Skatiet šeit: *Akumulatora un akumulatora lādētāja tīrīšana lpp. 349.*
- Nelietojiet defektīvu vai bojātu akumulatoru.
- Uzglabājiet akumulatorus vietā, kur tuvumā nav metāla priekšmetu, piemēram, naglu, monētu, rotaslietu.

## Akumulatora lādētāja drošības norādes



**BRĪDINĀJUMS:** Pirms sākat lietot izstrādājumu, izlasiet tālāk izklāstītās brīdinājuma instrukcijas.

- Izmantojiet QC akumulatoru lādētājus tikai Husqvarna rezerves akumulatoru uzlādei.
- Pastāv elektriskās strāvas trieciena vai īssavienojuma risks. Neievietojiet nekādus priekšmetus lādētāja gaisa atverēs. Nemēģiniet demontēt akumulatora lādētāju. Nesavienojiet lādētāja spaiļas ar metāla priekšmetiem. Izmantojiet pārbaudītu elektrotīkla kontaktligzdu.
- Šis izstrādājums darbības laikā rada elektromagnētisko

lauku. Noteiktos apstākļos šis lauks var traucēt aktīvā vai pasīvā medicīniskā implantāta darbību. Lai samazinātu risku nokļūt apstākļos, kad var tikt gūtas smagas vai letālas traumas, mēs iesakām personām, kurām ir medicīniskie implantāti, pirms šī izstrādājuma lietošanas konsultēties ar savu ārstu un medicīniskā implantāta ražotāju.

- Regulāri pārlicinieties, vai akumulatora lādētāja strāvas vads nav bojāts un vai tajā nav plaisu.
- Nevelciet akumulatora lādētāju aiz strāvas vada. Lai akumulatora lādētāju atvienotu no elektrotīkla kontaktligzdas, izraujiet kontaktdakšu. Nevelciet aiz strāvas vada.
- Strāvas vadu un pagarinājuma kabelus turiet tālāk prom no ūdens, eļļas un asām apmalēm. Nodrošiniet, lai kabelis netiktu iespiests durvīs, nožogojumos un līdzīgās konstrukcijās. Tādā gadījumā var notikt strāvas izvade no lādētāja.
- Netīriet akumulatora lādētāju ar ūdeni.
- Akumulatora lādētāju drīkst izmantot bērni no 8 gadu

vecuma un cilvēki ar ierobežotām fiziskām, sensorām vai garīgām spējām vai bez pieredzes un zināšanām tikai atbildīgās personas uzraudzībā vai pēc norādījumu par akumulatora lādētāja lietošanu drošā veidā saņemšanas un iespējamo risku izprašanas. Bērni nedrīkst spēlēties ar šo akumulatora lādētāju. Ierīces tīrīšanu un apkopes darbus bērni drīkst veikt tikai atbildīgās personas uzraudzībā.

- Neizmantojiet akumulatora lādētāju tādu akumulatoru uzlādei, kas nav atkārtoti uzlādējami.
- Nelietojiet akumulatora lādētāju viegli uzliesmojošu materiālu vai materiālu, kas var izraisīt koroziju, tuvumā. Nepārklājiet akumulatora lādētāju. Ja konstatējat dūmus vai uguni, izraujiet akumulatora lādētāja kontaktdakšu.
- Nelietojiet defektīvu vai bojātu akumulatora lādētāju.
- Lādējiet akumulatoru tikai telpā, kur ir laba gaisa plūsma un kur tas nav pakļauts saules gaismai. Nelādējiet akumulatoru mitrumā.

## Norādījumi par drošu apkopi



**BRĪDINĀJUMS:** Pirms sākat lietot izstrādājumu, izlasiet tālāk izklāstītās brīdinājuma instrukcijas.

- Lai nepieļautu nejaušu iedarbināšanu apkopes laikā, pagrieziet drošības atslēgu pozīcijā "0" un izņemiet akumulatoru. Uzgaidiet vismaz 5 sekundes, pirms sākat apkopi.
- Veiciet apkopes darbus pareizi, lai palielinātu produkta kalpošanas laiku un samazinātu nelaimes gadījumu risku. Ļaujiet profesionālos remontdarbus veikt pilnvarotam apkopes pārstāvim. Lai iegūtu papildinformāciju, sazinieties ar jums tuvāko apkopes pārstāvi.
- Veiciet tikai tos apkopes darbus, kas norādīti lietotāja rokasgrāmatā. Sarežģītāki darbi ir jāveic pilnvarotam apkopes pārstāvim.
- Lietojot griešanas aprīkojumu, uzvelciet izturīgus cimdus. Asmens ir ļoti ass, un ar to var viegli sagriezties.
- Uzturiet griezēja malas ir asas un tīras, lai nodrošinātu vislabāko un drošāko veiktspēju.
- Nodrošiniet, lai produktu regulāri pārbaudītu servisa centra darbinieki un tiktu veikta vajadzīgā regulēšana un remontdarbi.
- Nomainiet bojātās, nodilušās un salūzušās detaļas.
- Ievērojiet piederumu maiņas norādījumus. Lietojiet tikai ražotāja apstiprinātos piederumus.
- Kad tos neizmantojat, turiet produktu, akumulatoru un akumulatora lādētāju atstatu vienu no otra telpās un slēgtā vietā. Pārliecinieties, vai bērni un nesankcionētas personas nevar piekļūt produktam, akumulatoram vai akumulatora lādētājam.

## Montāža

### Ievads



**BRĪDINĀJUMS:** Pirms izstrādājuma montāžas izlasiet sadaļu par drošību.



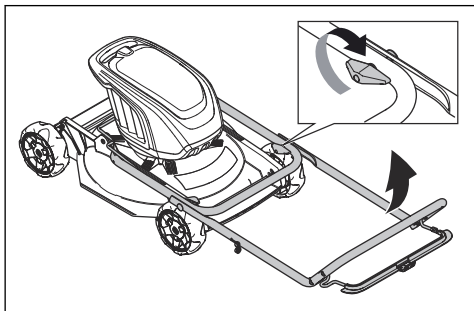
**BRĪDINĀJUMS:** Lai nepieļautu nejaušu iedarbināšanu montāžas laikā, pagrieziet drošības atslēgu pozīcijā "0", izņemiet akumulatoru un nogaidiet vismaz 5 sekundes.

## Roktura montāža

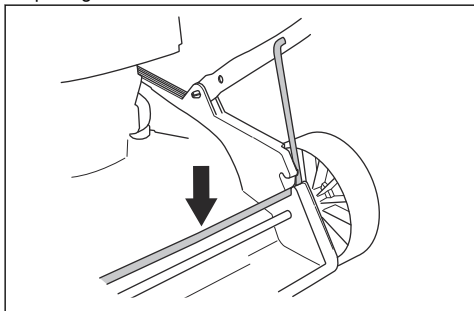


**IEVĒROJIET:** Nesapiniet kabelus.

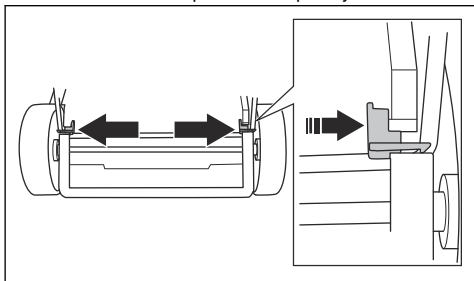
1. Izlīdziniet atveres augšējā rokturī ar atverēm apakšējā rokturī.
2. Pilnībā pievelciet fiksatorus labajā un kreisajā pusē un atlokiet rokturi.



3. Novietojiet balstu atverē uz griešanas korpusa pārsega.



4. Piestipriniet abus apturus, kas bloķē balstu un rokturi. Iebīdiet tos pilnībā savā pozīcijā.



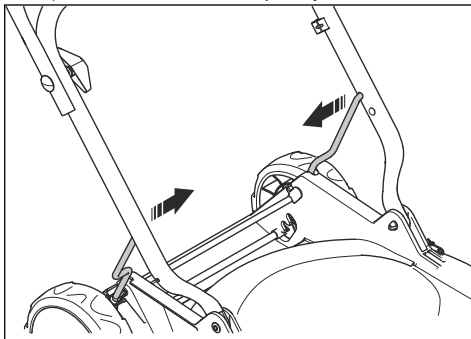
**Piezīme:** Ir 2 apturi, viens ir apzīmēts ar H, bet otrs — ar V. Novietojiet apturi, kas apzīmēts ar H, labajā pusē, bet apturi, kas apzīmēts ar V, kreisajā pusē.



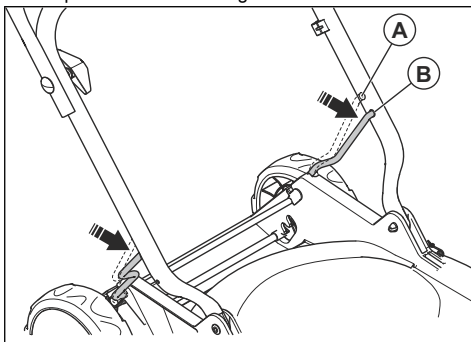
**IEVĒROJIET:** Nedarbiniet izstrādājumu, ja abi apturi nav piestiprināti.

## Roktura augstuma regulēšana

1. Izņemiet roktura balstu no apakšējā roktura.



- a) Ievietojiet roktura balstu augšējā atverē (A), lai samazinātu roktura augstumu.
- b) Ievietojiet roktura balstu apakšējā atverē (B), lai palielinātu roktura augstumu.





# Lietošana

## levads



**BRĪDINĀJUMS:** Pirms sākat darbu ar produktu, izlasiet nodaļu par drošību un pārliecinieties, vai saprotat to.

## Husqvarna Connect

Husqvarna Connect ir bezmaksas lietotne jūsu mobilajai ierīcei. Lietotne Husqvarna Connect nodrošina paplašinātas funkcijas jūsu Husqvarna izstrādājumam:

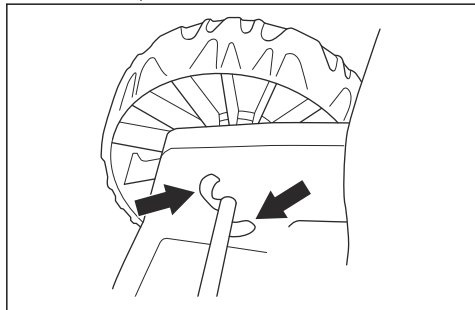
- Paplašināta izstrādājuma informācija.
- Informācija par izstrādājuma daļām un apkopi un palīdzība ar to.

## Lai sāktu izmantot Husqvarna Connect

1. Lejupielādējiet Husqvarna Connect lietotni savā mobilajā ierīcē.
2. Reģistrējieties Husqvarna Connect lietotnē.
3. Izpildiet Husqvarna Connect lietotnē sniegtos norādījumus, lai savienotu un reģistrētu produktu.

## Pļaušanas augstuma regulēšana

- Izbīdīet vārpstu laukā un bīdīet to pareizajā pozīcijā visiem 4 riteņiem.



**IEVĒROJIET:** Neiestatiet griešanas augstumu pārāk zemu. Ja zāliena virsma nav līdzena, asmeņi var saskarties ar zemi.

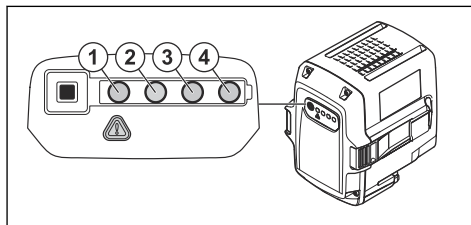
## Akumulators



**BRĪDINĀJUMS:** Pirms izmantojat akumulatoru, izlasiet nodaļu par drošību un pārliecinieties, vai saprotat to. Izlasiet arī akumulatora un akumulatora lādētāja komplektā iekļauto lietotāja rokasgrāmatu un pārliecinieties, vai izprotat to.

## Akumulatora statuss

Displejā ir redzams akumulatora atlikušais uzlādes līmenis un akumulatora kļūdu ziņojumi. Akumulatora uzlādes līmenis ir redzams 5 sekundes pēc produkta izslēgšanas vai akumulatora indikatora pogas nospiešanas. Ja radusies kļūda, iedegas akumulatora brīdinājuma simbols. Skatiet šeit: *Akumulators lpp. 350.*



LED indikatori	Akumulatora statuss
Deg visi LED indikatori	Pilnībā uzlādēts (75–100%)
Deg 1., 2. un 3. LED indikators	Akumulatora uzlādes līmenis ir 50–75%
Deg 1. un 2. LED indikators	Akumulatora uzlādes līmenis ir 25–50%
Deg 1. LED indikators	Akumulatora uzlādes līmenis ir 0–25%
Mirgo 1. LED indikators	Akumulators ir tukšs. Uzlādējiet akumulatoru.

## Akumulatora uzlāde

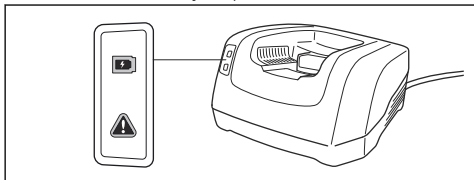
Pirms pirmās lietošanas reizes uzlādējiet akumulatoru. Akumulators ir tikai 30% uzlādēts, kad tiek piegādāts klientam.

**Piezīme:** Pievienojiet akumulatora lādētāju strāvas avotam, kura spriegums un frekvence atbilst uz datu plāksnītes norādītajiem.

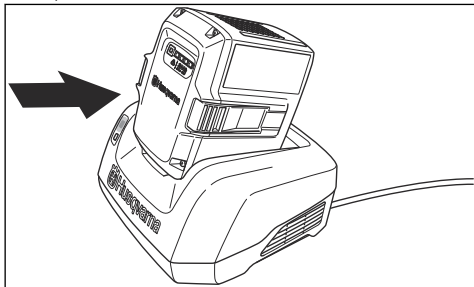
Akumulators netiek lādēts, ja tā temperatūra pārsniedz 50 °C. Akumulatora lādētājs samazina akumulatora temperatūru, pirms tiek sāta uzlāde.

1. Savienojiet vienu akumulatora lādētāja strāvas vada galu ar akumulatora lādētāja ligzdu.

2. Savienojiet akumulatora lādētāja strāvas vada otro galu ar zemētu kontaktligzdu. Vienreiz iemirgosies akumulatora lādētāja zaļais LED indikators.



3. Ievietojiet akumulatoru lādētājā. Kad akumulators ir pareizi savienots ar akumulatora lādētāju, tajā deg zaļais indikators.



4. Kad deg visi akumulatora LED indikatori, akumulators ir pilnībā uzlādēts. Akumulatora uzlādes laiks nedrīkst pārsniegt 24 stundas.
5. Lai atvienotu akumulatora lādētāju no kontaktligzdas, velciet kontaktdakšu, nevis strāvas vadu.
6. Izņemiet akumulatoru no lādētāja.

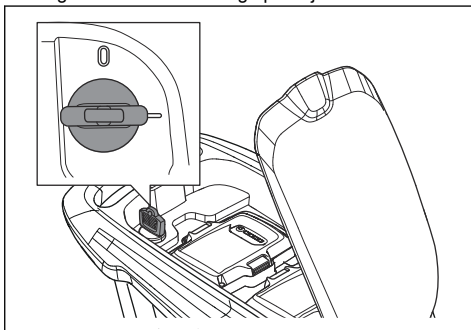
### Akumulatora uzlādes statuss

Husqvarna litija jonu akumulatoru drīkst uzlādēt un lietot neatkarīgi no uzlādes līmeņa. Akumulators netiek bojāts. Pilnībā uzlādēts akumulators nesamazinās uzlādes kapacitāti pat tad, ja pēc uzlādes to atstāj lādētājā.

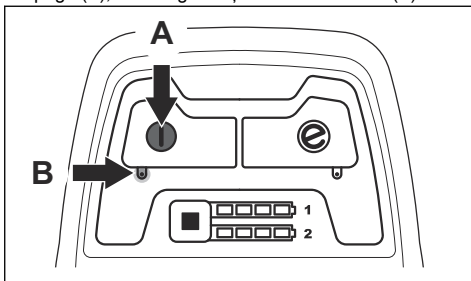
LED indikators	Uzlādes statuss
Mirgo 1. LED indikators	0–25%
Deg 1. LED indikators, mirgo 2. LED indikators	20–50%
Deg 1. un 2. LED indikators, mirgo 3. LED indikators	50–75%
Deg 1., 2. un 3. LED indikators, mirgo 4. LED indikators	75–100%
Deg 1., 2., 3. un 4. LED indikators	Pilnībā uzlādēts

### Izstrādājuma iedarbināšana

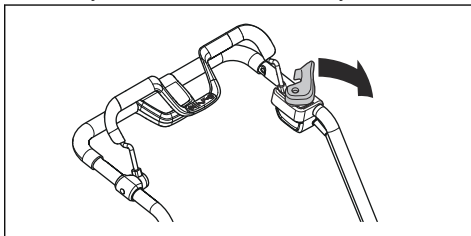
1. Ievietojiet uzlādētu akumulatoru 1. akumulatora nodalījumā zem akumulatora pārsega. Lai nodrošinātu ilgāku darbību, ievietojiet otru uzlādētu akumulatoru 2. akumulatora nodalījumā.
2. Pagrieziet drošības atslēgu pozīcijā "1".



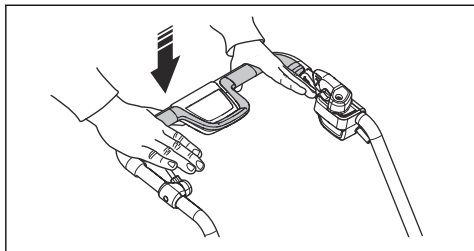
3. Stāviet aiz izstrādājuma.
4. Nospiediet vadības pults ieslēgšanas izslēgšanas pogu (A), un iedegas zaļais LED indikators (B).



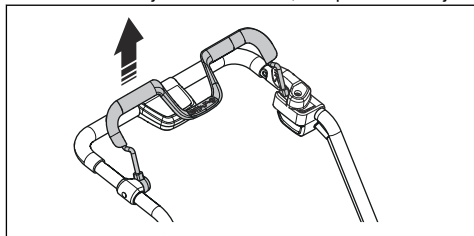
5. Atbrīvojiet iedarbināšanas ierobežotāju.



6. Pabīdīet bremžu rokturi stūres virzienā.



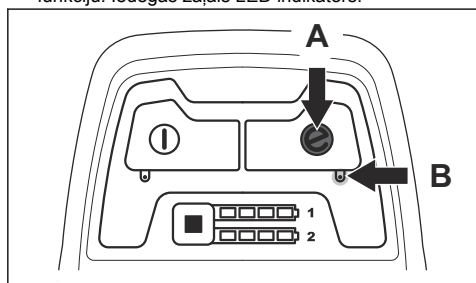
1. Atlaidiet dzinēja bremžu rokturi, lai apturētu dzinēju.



## SavE funkcijas izmantošana

Produktam ir akumulatora taupīšanas funkcija (SavE), kas nodrošina ilgāku akumulatora kalpošanas laiku.

1. Nospiediet pogu SavE (A), lai sāktu izmantot funkciju. Iedegas zaļais LED indikators.



2. Nospiediet pogu SavE (A) vēlreiz, lai pārtrauktu izmantot funkciju. Zaļais LED indikators (B) nodziest.

Funkcija SavE tiek apturēta automātiski, ja virsmas apstākļi pieprasa lielāku izstrādes apjomu. Funkcijas SavE izmantošana tiek sākta automātiski, kad virsmas apstākļi to atļauj.

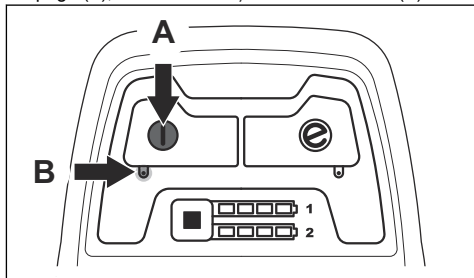
## Lielas slodzes funkcija

Ja ar produktu tiek griezta gara vai mitra zāle, dzinējs automātiski palielina apgriezumu skaitu. Kad liela jauda nav nepieciešama, dzinējs pāriet atpakaļ standarta režīmā.

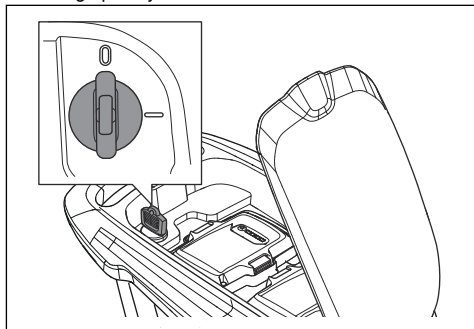
## Izstrādājuma apturēšana

Produkts automātiski apstājas, ja to neizmantojat 10 minūtes. Vienmēr pagrieziet drošības atslēgu pozīcijā 0, pirms novēršat skatienu no produkta.

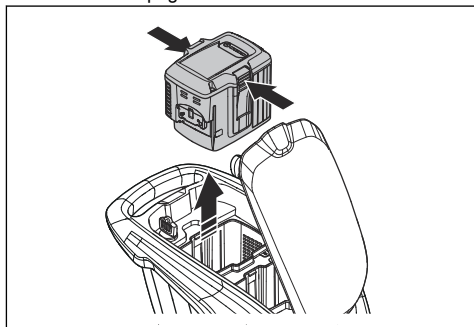
2. Nospiediet vadības pults ieslēgšanas izslēgšanas pogu (A), un nodziest zaļais LED indikators (B).



3. Atveriet akumulatora pārsegu un pagrieziet drošības atslēgu pozīcijā "0".



4. Lai izņemtu akumulatoru, nospiediet abas atbrīvošanas pogas un izvelciet akumulatoru.



5. Ja akumulators ir vājš, nomainiet to.  
Papildinformāciju sk. *Akumulatora uzlāde lpp. 345.*

## Labā rezultāta panākšana

- Vienmēr lietojiet tikai asus asmeņus. Lietojot trulu asmeni, plaušanas rezultāts ir nevienmērīgs, un nopļautā zāles virsma kļūst dzeltena. Ass asmens arī patērē mazāk enerģijas nekā truls asmens.
- Nepļaujiet vairāk par 1/4 no zāles garuma. Vispirms pļaujiet ar lielu pļaušanas augstuma iestatījumu. Pārbaudiet rezultātu un nolaidiet pļaušanas augstumu līdz pieņemamam līmenim. Ja zāle ir ļoti gara, pļaujiet lēni un, ja nepieciešams, dariet to divreiz.

- Katru reizi pļaujiet dažādos virzienus, lai zālienā neatstātu svītras.
- Uzturiet pļaušanas pārsegu fīru. Zāles un neīrimumu uzkrāšanās pļaušanas pārsega iekšpusē var pasliktināt pļaušanas rezultātu. Skatiet: *Produkta tīrīšana lpp. 349.*

## Apkope

### Ievads



**BRĪDINĀJUMS:** Pirms veicat apkopi, izlasiet nodaļu par drošību un pārliecinieties, vai izprotat to.

Lai veiktu visus izstrādājuma apkopes un remonta darbus, ir nepieciešama īpaša apmācība. Mēs garantējam profesionāla remonta un apkopes pieejamību. Ja jūsu izplatītājs nav servisa pārstāvis,

vēršieties pie viņa, lai iegūtu informāciju par tuvāko servisa pārstāvi.

### Apkopes grafiks

Apkopes intervāli tiek aprēķināti atbilstoši izstrādājuma ikdienas lietošanai. Intervāli mainās, ja izstrādājumu neizmanto ikdienā.

Apkopei, kas atzīmēta ar zīmi \*, skatiet instrukcijas sadaļā *Izstrādājuma drošības ierīces lpp. 340.*

	Katrā lietošanas reizē	Reizi mēnesī	Katru sezonu
Vispārējās pārbaudes veikšana	X		
Notīriet izstrādājumu	X		
Pārbaudiet iedarbināšanas ierobežotāju*	X		
Pārliecinieties, vai produkta drošības ierīces nav defektīvas*	X		
Pārbaudiet griešanas aprīkojumu	X		
Pārbaudiet griešanas pārsegu*	X		
Pārbaudiet dzinēja bremžu rokturi*	X		
Pārliecinieties, vai ieslēgšanas/izslēgšanas poga darbojas pareizi un nav defektīva	X		
Pārbaudiet, vai akumulators nav bojāts	X		
Pārbaudiet akumulatora uzlādi	X		
Pārliecinieties, vai akumulatora atbrīvošanas pogas darbojas pareizi un vai produkta akumulators tiek nofiksēts vietā.	X		
Pārbaudiet, vai nav akumulatora bojājumu un pārliecinieties, vai tas darbojas pareizi.		X	
Pārbaudiet savienojumus starp akumulatoru un produktu. Pārbaudiet arī savienojumu starp akumulatoru un akumulatora lādētāju.			X

## Vispārējas pārbaudes veikšana

- Pārļiecinieties, vai uzgriežņi un skrūves uz izstrādājuma ir cieši pievilkti.
- Pārļiecinieties, vai produkta kabeli nav novietoti tā, ka tie var tikt bojāti.

## Produkta tīrīšana

- Plastmasas daļas notīriet ar tīru un sausu drāniņu.
- Produkta tīrīšanai neizmantojiet ūdeni. Ūdens var iekļūt akumulatorā vai dzinējā un rādīt īssavienojumu vai produkta bojājumus.
- Produktu nedrīkst skalot ar augstspiediena ūdens strūklu.
- Nekādā gadījumā neļiejiet ūdeni tieši uz dzinēja.
- Izmantojiet suku, lai notīrītu lapas, zāli un neīrumus.

## Akumulatora un akumulatora lādētāja tīrīšana



**BRĪDINĀJUMS:** Neīrīriet akumulatoru un tā lādētāju ar ūdeni.

- Pirms ievietojat akumulatoru lādētājā, pārļiecinieties, vai akumulators un akumulatora lādētājs ir tīri un sausi.
- Notīriet akumulatora spaiļes ar saspiestu gaisu vai izmantojiet mīkstu un sausu drānu.
- Notīriet akumulatora un lādētāja virsmas ar mīkstu un sausu drānu.

## Griešanas aprīkojuma pārbaudīšana



**BRĪDINĀJUMS:** Lai nepieļautu nejaušu iedarbināšanu, pagrieziet drošības atslēgu pozīcijā "0", izņemiet akumulatoru un nogaidiet vismaz 5 sekundes.



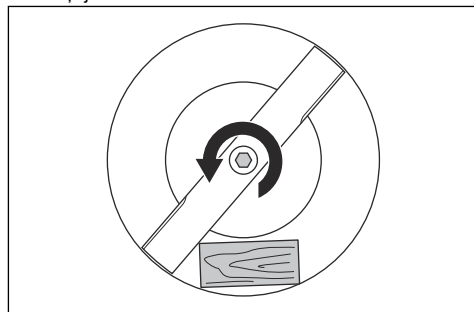
**BRĪDINĀJUMS:** Veicot griešanas aprīkojuma apkopi, velciet aizsargcimdus. Asmens ir ļoti ass, un ar to var viegli sagriezties.

1. Pārbaudiet, vai griešanas aprīkojums nav bojāts vai iekļūstais. Vienmēr nomainiet bojātu griešanas ierīci.
2. Apskatiet asmeni, lai redzētu, vai tas nav bojāts vai truls.

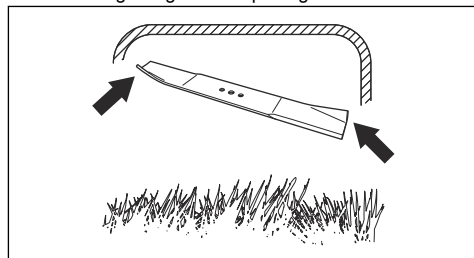
**Piezīme:** Vajadzības gadījumā pēc asmens uzasināšanas to balansējiet. Ļaujiet servisa centram asināt, nomainīt un balansēt asmeni. Ja saskaraties ar šķērslī, kas liek izstrādājumam apstāties, nomainiet bojāto asmeni. Lai apkopes centra pārstāvis novērtē, vai asmens ir jāuzasina, vai arī tas ir jānomaina.

## Asmens nomaiņšana

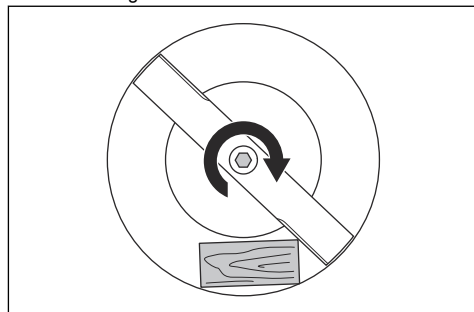
1. Bloķējiet asmeni ar koka klucīti.



2. Izņemiet asmens skrūvi.
3. Noņemiet asmeni.
4. Pārbaudiet asmens atbalstu un asmens skrūvi, lai redzētu, vai nav bojājumu.
5. Pārbaudiet dzinēja vārpstu, lai pārļiecinātos, vai tā nav saliekta.
6. Kad piestiprināt jauno asmeni, vēršiet asmens saliekto galus griešanas pārsega virzienā.



7. Pārļiecinieties, vai asmens ir salāgots ar dzinēja vārpstas centru.
8. Bloķējiet asmeni ar koka klucīti. Piestipriniet atspēraplāksni un piegrieziet skrūvi un aplāksni ar 23–28 Nm griezes momentu.



9. Ar roku pagrieziet asmeni un pārbaudiet, vai tas griežas brīvi.



**BRĪDINĀJUMS:** Velciet biezus cimdus. Asmens ir ļoti ass, un ar to var viegli sagriezties.

10. Iedarbiniet izstrādājumu, lai pārbaudītu asmeni. Ja asmens nav pareizi piestiprināts, izstrādājums vibrē vai plaušanas rezultāts nav apmierinošs.

## Problēmu novēršana

### Akumulators

LED indikators uz akumulatora	Cēlonis	Risinājums
LED indikators mirgo zaļā krāsā	Akumulatora spriegums ir zems.	Uzlādējiet akumulatoru. Skatiet šeit: <i>Akumulatora uzlāde lpp. 345.</i>
Mirgo kļūdu LED indikators.	Zems akumulatora uzlādes līmenis.	Uzlādējiet akumulatoru. Skatiet šeit: <i>Akumulatora uzlāde lpp. 345.</i>
	Temperatūra darba vidē ir pārāk augsta vai pārāk zema.	Akumulatoru drīkst temperatūrā no -10 °C līdz 40 °C.
	Pārspriegums.	Pārbaudiet, vai fīkla spriegums atbilst tam, kas ir norādīts uz izstrādājuma datu plāksnītes. Izņemiet akumulatoru no lādētāja. Pagaidiet 5 sekundes un pēc tam mēģiniet akumulatoru uzlādēt. Ja problēma joprojām nav novērsta, sazinieties ar pilnvarotu apkopes pārstāvi.
Deg kļūdu LED indikators.	Pārāk liela elementu sprieguma atšķirība (1 V).	Sazinieties ar pilnvarotu apkopes pārstāvi.

### Akumulatora lādētājs

LED indikators uz akumulatora lādētāja	Cēlonis	Risinājums
Mirgo kļūdu LED indikators.	Temperatūra darba vidē ir pārāk augsta vai pārāk zema.	Akumulatora lādētāju lietojiet temperatūrā no 5 °C līdz 40 °C.
Deg kļūdu LED indikators.		Sazinieties ar pilnvarotu apkopes pārstāvi.

### Vadības panelis

Ja rodas problēmas, kas nav minētas šajā sadaļā, sazinieties ar apkopes pārstāvi.

Tastatūra	Kļūdas kods (mirgošanas reižu skaits)	Iespējamās kļūmes	Iespējamā rīcība
Mirgo kļūdu LED indikators	3	Dzinējs ir pārslogots	Palīciniet griešanas augstumu. Skatiet šeit: <i>Plaušanas augstuma regulēšana lpp. 345.</i>
	5	Dzinēja apgriezību skaits pārāk nokrītas, un dzinējs apstājas	
	10	Dzinēja vadības bloks ir pārāk karsts	Apstādiniet dzinēju un uzgaidiet, līdz tas kļūs vēss
	2	Asmens ir bloķēts	Lai nepieļautu nejašu iedarbināšanu, pagrieziet drošības atslēgu pozīcijā "0", izņemiet akumulatoru un nogaidiet vismaz 5 sekundes. Pārļiecinieties, vai asmens brīvi griežas. Ja problēma joprojām pastāv, sazinieties ar pilnvarotu apkopes pārstāvi
	9	Akumulatora kļūda vai netiek saņemts signāls no akumulatora	Ievietojiet akumulatoru produktā pareizi un pārbaudiet akumulatora savienotāju. Ja kļūdu LED indikators uz akumulatora mirgo, skatiet sadaļu <i>Akumulators lpp. 345.</i>
Produkts apstājas	8	Akumulators ir vājš	Uzlādējiet akumulatoru. Skatiet šeit: <i>Akumulatora uzlāde lpp. 345.</i>
	0	Akumulatora savienotāja kļūda	Pārbaudiet akumulatora savienotāju

## Pārvadāšana, glabāšana un utilizēšana

### Ievads



**BRĪDINĀJUMS:** Lai nepieļautu nejašu iedarbināšanu transportēšanas laikā, pagrieziet drošības atslēgu pozīcijā "0", izņemiet akumulatoru un nogaidiet vismaz 5 sekundes.

### Transportēšana

- Uz iekļautajiem litija jonu akumulatoriem attiecas likumu prasības par bīstamajām precēm.
- Komerציālai transportēšanai ir jāievēro īpašās prasības uz iepakojuma un uzlīmēm.
- Noteikti ievērojiet noteikumus, kas attiecas uz bīstamiem materiāliem, kad produktu sagatavojat transportēšanai. Spēkā var būt vietēji noteikumi.
- Transportēšanas laikā izņemiet akumulatoru.
- Uzlieciet lenti uz akumulatora savienotājiem un pārļiecinieties, vai akumulators transportēšanas laikā nevar kustēties.
- Transportēšanas laikā nostipriniet produktu.

### Glabāšana

- Glabāšanas laikā izņemiet akumulatoru.
- Lai novērstu nelaimes gadījumus, produkta glabāšanas laikā akumulatoram ir jābūt atvienotam no produkta.
- Turiet akumulatora lādētāju slēgtā un sausā vietā.
- Turiet akumulatoru un akumulatora lādētāju sausā vietā, kur nav mitruma vai sala ietekmes.
- Uzglabāšanas laikā atvienojiet akumulatoru no akumulatora lādētāja.
- Neglabājiet akumulatoru vietās, kur var rasties statiskā elektrība. Neglabājiet akumulatoru metāla kārbā.
- Akumulatoru glabājiet vietā, kur temperatūra ir no 5 °C līdz 25 °C un uz to neiedarbojas tieši saules stari.
- Akumulatora lādētāju glabājiet vietā, kur temperatūra ir no 5 °C līdz 45 °C un uz to neiedarbojas tieši saules stari.
- Akumulatora uzlādes līmenim pirms ilgstošas glabāšanas jābūt 30–50%.

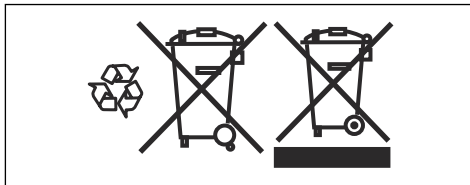
- Glabājiet produktu, akumulatoru un akumulatora lādētāju slēgtā vietā, kas nav pieejama bērniem un nesankcionētiem personām.
- Notīriet produktu un veiciet pilnu apkopi, pirms novietojat produktu ilgstošai glabāšanai.

un cilvēkiem. Pretējā gadījumā tiek veikta nepareiza šī izstrādājuma utilizēšana. Lai uzzinātu vairāk par šī izstrādājuma pārstrādi, sazinieties ar vietējo pašvaldību, atkritumu pārstrādes uzņēmumu vai veikalu, kurā iegādājāties šo izstrādājumu.

## Atbrīvošanās no produkta

Simboli uz produkta vai tā iepakojuma norāda, ka no šī produkta nedrīkst atbrīvoties kā no sadzīves atkritumiem. Tas ir jānodod atbilstošā elektrisko un elektronisko ierīču pārstrādes uzņēmumā.

Nodrošinot, ka šis izstrādājums tiek pareizi pārstrādāts, varat palīdzēt novērst iespējamo negatīvo ietekmi uz vidi



## Tehniskie dati

<b>LB 146i</b>	
<b>Pļaušanas motors</b>	
Motora tips	BLDC (bezsku) 36 V
Motora ātrums — SavE, apgr./min	2600
Motora ātrums — nominālais, apgr./min	3000
Motora ātrums — liela slodze, apgr./min	3500
Motora jauda — maks., kW	1,05
Motora jauda — nominālā, kW	0,9
Strāvas pārslodzes ierobežojums (strāvas ierobežojums: 900W-27A)	27 (+/-) 1A
<b>Svars</b>	
Svars bez akumulatora, kg	16.9
<b>Akumulators</b> <sup>61</sup>	
Akumulatora tips	Husqvarna akumulatoru sērija
<b>Akumulatora darbības laiks</b>	
Akumulatora darbības laiks, minimālais (brīvgaita), ar aktivizētu SavE funkciju un vienu Husqvarna 5,2 Ah akumulatoru (BLi200).	77
Akumulatora darbības laiks, minimālais (brīvgaita) ar aktivizētu standarta režīmu, ar vienu Husqvarna 5,2 Ah akumulatoru (BLi200).	45
<b>Trokšņa emisija</b> <sup>62</sup>	
Skaņas jaudas līmenis, izmērītais dB (A)	90
Skaņas jaudas līmenis, garantētais L <sub>WA</sub> dB (A)	91
<b>Skaņas līmeņi</b> <sup>63</sup>	
Skaņas spiediena līmenis pie operatora auss, dB(A)	79

<sup>61</sup> Vislabākos rezultātus un veiktspēju nodrošina Husqvarna akumulators BLi200.

<sup>62</sup> Atbilstoši EK direktīvai 2000/14/EK trokšņa emisija apkārtņē ir mērīta kā akustiskā jauda (L<sub>WA</sub>).

<sup>63</sup> Sniegtajos datos par skaņas spiediena līmeni tipiskā statistiskā izkliede ir 1,2 dB(A) (standartnovirze).



	<b>LB 146i</b>
<b>Vibrācijas līmeņi</b> <sup>64</sup>	
Rokturis, m/s <sup>2</sup>	0,9
<b>Griešanas ierīce</b>	
Griešanas augstums, mm	35-70 mm
Plāušanas platums, cm	46
Asmens	BioClip
Izstrādājuma numurs	5947022-10

Apstiprinātie akumulatori	Tips	Akumulatora ietilpība, Ah	Spriegums (V)	Svars, mārciņas/kg
BLi20	Litija jonu	4,0	36	2,6/1,2
BLi200	Litija jonu	5,2	36	2,8/1,3
BLi300	Litija jonu	9,4	36	4,2/1,9

Apstiprinātie lādētāji norādītajiem akumulatoriem, BLi	Ieejas spriegums, V	Frekvence, Hz	Jauda, W
QC80	100–240	50–60	100
QC80F	10-15	N/A	95
QC330	100–240	50–60	330
QC500	100–240	50–60	500
40-C80	100–240	50–60	68,8

<sup>64</sup> Sniegtajos datos par vibrācijas līmeni tipiska statistiskā izkliede ir 0,2 m/s<sup>2</sup> (standarta novirze). Vibrācijas standarts EN 60335-2-77:2017 nodaļa 20.105

---

# EK atbilstības deklarācija

---

## EK atbilstības deklarācija

**Husqvarna AB**, SE-561 82 Huskvarna, Zviedrija, tālr. nr.:  
+46-36-146500, apliecina, ka **zālespļāvējs Husqvarna  
LB 146i**, kas ražots sākot ar 2021. gadu, atbilst  
PADOMES DIREKTĪVAS prasībām:

- 2011. gada 8. jūnija direktīva **2011/65/ES** "par dažu bīstamu vielu izmantošanas ierobežošanu".
- 2006. gada 17. maijs, Direktīva **2006/42/EK**, "par mašīnu tehniku";
- 2014. gada 26. februāra direktīva **2014/30/ES** "par elektromagnētisko saderību";
- 2000. gada 8. maija direktīva **2000/14/EK** "par trokšņa emisiju vidē".

Lai iegūtu informāciju par trokšņa emisijām, skatiet sadaļu "Tehniskie dati".

Tiek piemēroti tālāk norādītie standarti.

**EN 60335-1:2012+A11:2014+A13:2017, EN  
60335-2-77:2010, EN 62233:2008, EN  
55014-1:2017+A11:2020, EN 55014-2:2015, EN IEC  
63000:2018**

Ja nav norādīts citādi, ir spēkā iepriekš uzskaitīto  
standartu jaunākās publicētās versijas.

Pilnvarotā iestāde **0404, RISE SMP Svensk  
Maskinprovning AB, Box 7035, SE-750 07 Uppsala** ir  
veikusi atbilstības novērtējumu saskaņā ar  
Direktīvas 2000/14/EK VI pielikumu.

Huskvarna, 2021-10-30



Claes Losdal, nodaļas vadītājs/dārzkopības izstrādājumi  
(Pilnvarotais Husqvarna AB pārstāvis, kas atbild par  
tehnisko dokumentāciju)

## Inhoud

Inleiding.....	355	Probleemoplossing.....	372
Veiligheid.....	357	Vervoer, opslag en verwerking.....	374
Montage.....	366	Technische gegevens.....	375
Werking.....	367	EG verklaring van overeenstemming.....	377
Onderhoud.....	370		

## Inleiding

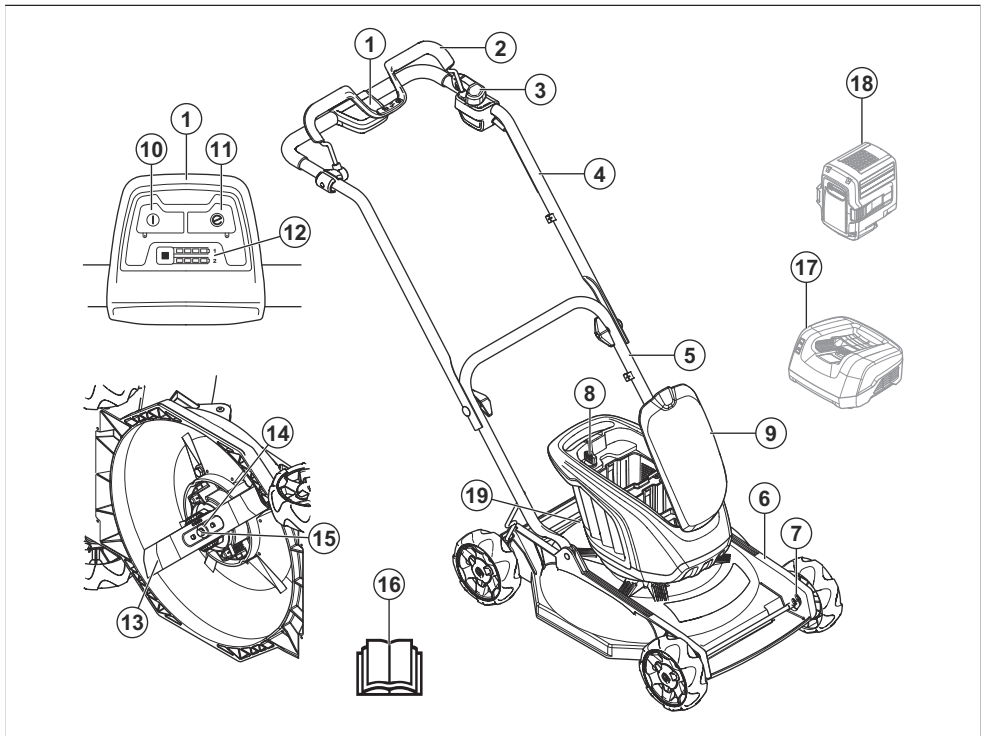
### Productbeschrijving

Het product is een roterende duwmaaier die BioClip gebruikt om het gras te snijden tot meststof.

### Gebruik

Gebruik het product om gras te maaien. Gebruik het product niet voor andere taken.

### Productoverzicht



- |                           |  |
|---------------------------|--|
| 1. Bedieningspaneel       | 8. Veiligheidsleutel                       |
| 2. Remhendel van de motor | 9. Accudeksel                              |
| 3. Startvergrendeling     | 10. AAN/UIT-knop                           |
| 4. Bovenste hendel        | 11. SavE-knop                              |
| 5. Onderste hendel        | 12. Indicatielampje acculading en accuknop |
| 6. Kap van maaidek        | 13. Mes                                    |
| 7. Maaihoogteregeling     | 14. Veerring                               |

- 15. Mesbout
- 16. Gebruikershandleiding
- 17. Acculader (accessoire)
- 18. Accu (accessoire)
- 19. Productplaatje met QR-code

## Symbolen op het product



**Waarschuwing:**  
Onzorgvuldig of onjuist gebruik kan leiden tot letsel of overlijden van de gebruiker of anderen.



Lees de bedieningshandleiding zorgvuldig door en zorg dat u de instructies hebt begrepen voordat u het product gebruikt.



Houd personen en dieren op veilige afstand van het werkgebied.



Kijk uit voor weggeslingerde en afgeketste voorwerpen.



**Waarschuwing:** Houd handen en voeten uit de buurt van het roterende mes.



**Waarschuwing:** Houd handen en voeten uit de buurt van draaiende onderdelen.



Verwijder de veiligheidssleutel

voordat u reparatie- of onderhoudswerkzaamheden gaat uitvoeren.



Stel het product niet bloot aan regen



Het product of de verpakking ervan is geen huishoudelijk afval. Lever het in bij een recyclepunt voor elektrische en elektronische apparatuur.



Het product voldoet aan de geldende EG-richtlijnen.



Het product voldoet aan de geldende richtlijnen van de Euraziatische Douane-unie.



Het product voldoet aan de geldende UkrSEPRO-richtlijnen.



Het product voldoet aan de geldende RCM-richtlijnen. Alleen van toepassing op AU/NZ



Geluidsemissie naar de omgeving volgens de richtlijn van de Europese Gemeenschap. De emissie van het product is vermeld in het

hoofdstuk "Technische gegevens" en op het label.

## IPX1 IPX1 - Drupdicht



Startprocedure: druk op de AAN/UIT-knop, maak de startvergrendeling los, druk de remhendel van de motor omhoog.



Laat de remhendel van de motor los om te stoppen.

**Let op:** Andere symbolen/stickers op het product hebben betrekking op certificeringseisen voor bepaalde markten.

### Label op het product



GEVAAR - Houd handen en voeten uit de buurt.

## Productaansprakelijkheid

Zoals uiteengezet in de wet voor productaansprakelijkheid zijn wij niet aansprakelijk voor schade die door ons product wordt veroorzaakt, indien:

- het product niet goed is gerepareerd.
- het product is gerepareerd met onderdelen die niet van de fabrikant afkomstig zijn, of onderdelen die niet zijn goedgekeurd door de fabrikant.
- het product een accessoire bevat dat niet afkomstig is van de fabrikant of niet is goedgekeurd door de fabrikant.
- het product niet is gerepareerd door een erkend servicepunt of door een erkende autoriteit.

---

## Veiligheid

---

### Veiligheidsdefinities

Waarschuwingen, voorzorgsmaatregelen en

opmerkingen worden gebruikt om te wijzen op belangrijke delen van de handleiding.

**WAARSCHUWING:**

Wordt gebruikt om te wijzen op de kans op ernstig of fataal letsel voor de gebruiker of omstanders wanneer de instructies in de handleiding niet worden gevolgd.

---

**OPGELET:**

Wordt gebruikt indien er een risico bestaat op schade aan het product en andere eigendommen of aan de omgeving wanneer de instructies in de handleiding niet worden gevolgd.

---

**Let op:** Geven verdere informatie die nodig is in een bepaalde situatie.

---

**Algemene veiligheidsinstructies**

**WAARSCHUWING:** Lees de volgende waarschuwingen voordat u het product gaat gebruiken.

---

- Dit product is gevaarlijk als het verkeerd wordt gebruikt, of als u niet voorzichtig bent. Letsel

of overlijden kunnen het gevolg zijn als u de veiligheidsvoorschriften negeert.

- Dit product produceert tijdens bedrijf een elektromagnetisch veld. Dit veld kan onder bepaalde omstandigheden de werking van actieve of passieve medische implantaten verstoren. Om het risico op ernstig of dodelijk letsel te beperken, raden we personen met een medisch implantaat aan om contact op te nemen met hun arts en de fabrikant van het medische implantaat alvorens dit product te gaan gebruiken.
- Wees altijd voorzichtig en gebruik uw gezond verstand. Als u niet zeker weet hoe u het product moet bedienen in een bepaalde situatie, stop dan en informeer bij uw Husqvarna dealer voordat u verdergaat.
- Denk erom dat de bediener of gebruiker verantwoordelijk is voor ongelukken of beschadigingen aan eigendommen.
- Houd het product schoon. Zorg ervoor dat u de aanduidingen en stickers duidelijk kunt lezen.

- Laat kinderen of mensen die niet bekend zijn met deze gebruiksaanwijzing het apparaat niet gebruiken. Er kunnen plaatselijke regels zijn met betrekking tot de minimumleeftijd voor het bedienen van dit apparaat
- Houd personen met een lichamelijke of geestelijke beperking die het product gebruiken, altijd in de gaten. Er moet te allen tijde een verantwoordelijke volwassene aanwezig zijn.
- Gebruik het product nooit als u moe of ziek bent, of onder invloed van alcohol, drugs of medicijnen verkeert. Dit heeft een negatief effect op uw visie, alertheid, coördinatie en oordeel.
- Gebruik het product niet als het defect is.
- Wijzig dit product niet of gebruik het niet als het door anderen kan zijn gewijzigd.
- Verwijder objecten zoals takken, twijgen en stenen uit het werkgebied voordat u het product gaat gebruiken.
- Objecten die tegen de snijuitrusting aankomen, kunnen worden uitgeworpen en schade veroorzaken aan personen en objecten. Houd omstanders en dieren op veilige afstand van het product.
- Gebruik het product nooit in slechte weersomstandigheden zoals mist, regen, sterke wind, hevige kou of als er gevaar is voor blikseminslag. Het gebruik van dit product bij slecht weer of op vochtige of natte plaatsen is vermoeiend. Slecht weer kan leiden tot gevaarlijke situaties zoals gladde ondergronden.
- Kijk uit voor personen, objecten en situaties die een veilig gebruik van het product kunnen verhinderen.
- Kijk uit voor obstakels zoals wortels, stenen, takjes, kuilen en greppels. Obstakels kunnen moeilijk te zien zijn door hoog gras.
- Gras maaien op hellingen kan gevaarlijk zijn. Maai niet op overmatig steile hellingen.

## Veiligheid van het werkgebied



**WAARSCHUWING:** Lees de volgende waarschuwingen voordat u het product gaat gebruiken.

- Gebruik het product niet op een helling van meer dan 15°
- Ga uiterst behoedzaam te werk wanneer u van richting verandert op hellingen. Gebruik het product dwars over het oppervlak van hellingen. Ga niet van boven naar beneden.
  - Wees voorzichtig wanneer u in de buurt komt van onoverzichtelijke bochten en voorwerpen die uw zicht kunnen belemmeren.

## Werkveiligheid



**WAARSCHUWING:** Lees de volgende waarschuwingen voordat u het product gaat gebruiken.

- Gebruik het product niet in regen of natte omstandigheden. Het risico van een elektrische schok neemt toe als water het product binnendringt.
  - Gebruik dit product alleen als het mes en alle afdekkingen correct zijn bevestigd. Een verkeerd bevestigd mes kan losraken en letsel veroorzaken.
  - Zorg ervoor dat het mes geen voorwerpen raakt zoals stenen en wortels. Hierdoor kan het mes beschadigd raken en de motoras verbuigen. Een gebogen as veroorzaakt zware trillingen en een zeer groot risico dat het mes losraakt.
  - Stop het product onmiddellijk als het mes een voorwerp wordt geraakt of als zich trillingen voordoen. Stop de motor, zet de veiligheidssleutel in de stand "0" en verwijder de accu. Controleer het product op schade. Repareer schade of laat een erkende servicewerkplaats de reparatie uitvoeren.
  - Bevestig de motorremhendel nooit permanent aan de handgreep wanneer de motor wordt gestart.
- Gebruik dit product alleen om gazons te maaien. Het is niet toegestaan om het product voor andere doeleinden te gebruiken.
  - Maak altijd gebruik van persoonlijke beschermingsmiddelen. Zie *Persoonlijke beschermingsuitrusting op pagina 361*.
  - Zorg ervoor dat u weet hoe u de motor in een noodsituatie snel kunt stoppen.



- Plaats het product op een stabiele, vlakke ondergrond en start het. Zorg ervoor dat het mes niet in aanraking komt met de grond of andere voorwerpen.
- Blijf altijd achter het product wanneer u het gebruikt.
- Zorg dat alle wielen op de grond blijven en houd 2 handen op de handgreep tijdens de bediening van het product. Houd uw handen en voeten uit de buurt van de roterende messen.
- Kantel het product niet terwijl de motor draait.
- Wees voorzichtig wanneer u het product naar achteren trekt.
- Til het product nooit op terwijl de motor draait. Als u het product moet optillen, zet dan eerst de motor uit, zet de veiligheidssleutel op 0 en verwijder de accu.
- Loop niet achteruit wanneer u het product bedient.
- Stop de motor als u in gebieden zonder gras komt, bijvoorbeeld op paden van grind, stenen en asfalt.
- Loop niet hard met het product wanneer de motor is ingeschakeld. Loop altijd rustig

wanneer u het product bedient.

- Zet de motor uit voordat u de maaihoogte wijzigt. Voer nooit afstellingen uit terwijl de motor draait.
- Houd altijd toezicht op het product wanneer de motor draait. Schakel de motor uit en zorg ervoor dat de snijuitrusting niet draait.

### Veiligheidsinstructies voor bediening

#### Persoonlijke beschermingsuitrusting



**WAARSCHUWING:** Lees de volgende waarschuwingen voordat u het product gaat gebruiken.

---

- Persoonlijke beschermingsuitrusting kunnen niet alle risico's uitsluiten maar kunnen de ernst van eventueel letsel helpen beperken. Vraag uw dealer u te helpen bij het kiezen van de juiste beschermingsmiddelen.
- Gebruik zware antislipplaaizen of -schoenen. Draag geen open schoenen en loop niet op blote voeten.
- Draag een lange broek van stevige stof.

- Draag zo nodig beschermende handschoenen, bijvoorbeeld bij het monteren, inspecteren of reinigen van de snijuitrusting.

### Veiligheidsvoorzieningen op het product



**WAARSCHUWING:** Lees de volgende waarschuwingen voordat u het product gaat gebruiken.

- Gebruik het product nooit wanneer de veiligheidsvoorzieningen defect zijn.
- Controleer de veiligheidsvoorzieningen regelmatig op een juiste werking. Als de veiligheidsvoorzieningen defect zijn, neem dan contact op met uw Husqvarna servicewerkplaats.

### De kap van het maaidek controleren

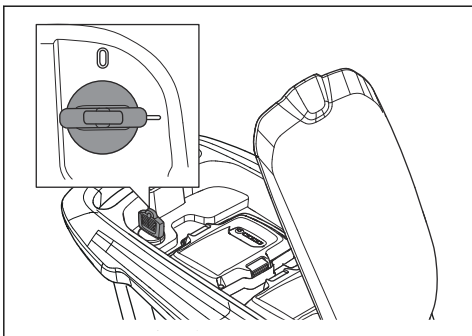
De kap van het maaidek vermindert trillingen in het product en vermindert het risico op letsel door het mes.

- Controleer de kap van het maaidek om te zien of er geen schade is, zoals barsten.

### Veiligheidsleutel

De veiligheidsleutel bevindt zich onder het accudeksel. De veiligheidsleutel zorgt voor verbinding met de accu die de motor van voeding voorziet.

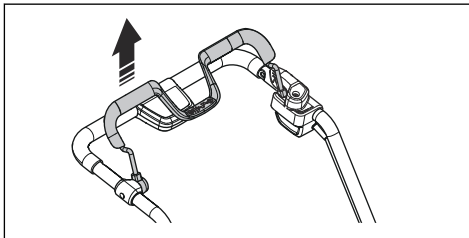
- Start de motor en schakel die weer uit bij wijze van controle van de veiligheidsleutel.
- Als de veiligheidsleutel naar behoren werkt, kan de motor alleen worden gestart wanneer de veiligheidsleutel in stand 1 staat.



### Remhendel van de motor

De remhendel van de motor stopt de motor. Als de remhendel van de motor wordt losgelaten, stopt de motor.

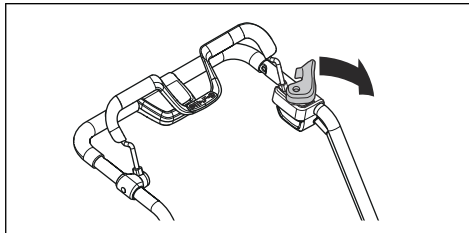
Voor een inspectie van de motorrem start u de motor en laat u de motorremhendel los. Als de motor niet binnen 3 seconden stopt, laat de motorrem dan afstellen door een erkende Husqvarna servicewerkplaats.



### Startvergrendeling onderzoeken

Controleer de startvergrendeling om er zeker van te zijn dat deze de werking van de motor voorkomt.

1. Druk de hendel van de motorrem in de richting van de handgreep. De startvergrendeling stopt de beweging.
2. Duw de startvergrendeling naar buiten.



3. Laat de startvergrendeling los en controleer of deze teruggaat naar de oorspronkelijke stand.

### Veiligheid bij accu's



**WAARSCHUWING:** Lees de volgende waarschuwingen voordat u het product gaat gebruiken.

- Gebruik uitsluitend oplaadbare batterijen van Husqvarna als voedingsbron voor

- gerelateerde producten van Husqvarna. Gebruik de accu niet als voedingsbron voor andere apparaten, om letsel te voorkomen.
- Gebruik geen niet-oplaadbare accu's.
  - Risico van elektrische schok. Breng de accuklemmen niet in contact met sleutels, munten, schroeven of ander metaal. Dit kan een kortsluiting van de accu veroorzaken.
  - Plaats geen voorwerpen in de luchtspleten van de accu.
  - Bescherm de accu tegen direct zonlicht, warmte of open vuur. De accu kan exploderen en brandwonden en/of chemische brandwonden veroorzaken.
  - Bescherm de accu tegen regen en vocht.
  - Houd de accu uit de buurt van magnetrons en hoge druk.
  - Probeer de accu niet te demonteren of te slopen.
  - Als er een accu lekt, zorg er dan voor dat de vloeistof niet in aanraking komt met uw huid of ogen. Als u in aanraking bent gekomen met de vloeistof, reinig het oppervlak dan met een ruime hoeveelheid water en raadpleeg een arts.
  - Gebruik de accu bij temperaturen tussen -10 °C en 40 °C.
  - Reinig de accu of acculader nooit met water. Zie *Accu en acculader reinigen op pagina 371*.
  - Gebruik geen defecte of beschadigde accu.
  - Sla accu's op uit de buurt van metalen voorwerpen, bijvoorbeeld spijkers, munten en sieraden.

### Veiligheidsvoorschriften voor acculader



**WAARSCHUWING:** Lees de volgende waarschuwingen voordat u het product gaat gebruiken.

---

- Gebruik de QC-acculaders uitsluitend om vervangende accu's van Husqvarna op te laden.
- Gevaar voor elektrische schokken en kortsluiting. Plaats geen voorwerpen in de luchtspleten van de oplader. Probeer de acculader niet te demonteren. Verbind de laadcontacten niet met metalen objecten. Gebruik een goedgekeurde wandcontactdoos.

- Dit product produceert tijdens bedrijf een elektromagnetisch veld. Dit veld kan onder bepaalde omstandigheden de werking van actieve of passieve medische implantaten verstoren. Om het risico op ernstig of fataal letsel te beperken, raden we personen met een medisch implantaat aan om contact op te nemen met hun arts en de fabrikant van het medische implantaat voordat ze dit product gaan bedienen.
- Controleer regelmatig of de voedingskabel van de acculader niet beschadigd of gescheurd is.
- Til de acculader niet op aan de voedingskabel. Trek aan de stekker om de acculader uit de wandcontactdoos te halen. Trek niet aan de voedingskabel.
- Houd de voedingskabel en de verlengsnoeren uit de buurt van water, olie en scherpe randen. Let op dat de kabel niet bekneld raakt tussen deuren, hekken e.d. Anders kan de lader onder spanning komen te staan.
- Reinig de acculader nooit met water.
- De acculader kan worden gebruikt door kinderen vanaf 8 jaar en ouder en andere personen die ondanks hun fysieke, sensorische of geestelijke handicap of gebrek aan ervaring en kennis onder toezicht of instructie van een verantwoordelijke persoon in staat zijn veilig gebruik te maken van de acculader en op de hoogte zijn van alle gevaren. Kinderen mogen niet spelen met de acculader. Kinderen mogen het apparaat niet zonder toezicht reinigen of onderhouden.
- Laad niet-oplaadbare accu's niet op in de acculader.
- Gebruik de acculader niet in de buurt van brandbare materialen of materialen die corrosie kunnen veroorzaken. Dek de acculader niet af. Haal de stekker van de acculader uit de wandcontactdoos bij rookontwikkeling of brand.
- Gebruik geen defecte of beschadigde acculader.
- De accu mag alleen binnenshuis worden opgeladen op een plek met voldoende ventilatie en zonder direct zonlicht. Laad de accu niet op in vochtige omstandigheden.

## Veiligheidsinstructies voor onderhoud

---



**WAARSCHUWING:** Lees de volgende waarschuwingen voordat u het product gaat gebruiken.

---

- Om te voorkomen dat het product tijdens onderhoud per ongeluk wordt gestart, draait u de veiligheidssleutel naar 0 en verwijdert u de accu. Wacht minstens 5 seconden voordat u begint met het onderhoud.
- Voer de onderhoudswerkzaamheden naar behoren uit om de levensduur van het product te verlengen en het risico op ongevallen te verlagen. Laat professionele reparaties uitvoeren door een erkende servicewerkplaats. Neem contact op met uw dichtstbijzijnde servicewerkplaats voor meer informatie.
- Voer alleen onderhoudswerkzaamheden uit zoals beschreven in deze bedieningshandleiding. Verdergaande werkzaamheden moeten door een erkende servicewerkplaats worden uitgevoerd.
- Draag handschoenen voor zwaar gebruik wanneer u de snijuitrusting hanteert. Het mes is zeer scherp en kan gemakkelijk snijwonden veroorzaken.
- Houd de snijkanten scherp en schoon voor optimale prestaties en veiligheid.
- Laat het product regelmatig controleren door uw servicewerkplaats en laat noodzakelijke aanpassingen en reparaties uitvoeren.
- Vervang beschadigde, versleten of defecte onderdelen.
- Volg de instructies voor het vervangen van accessoires. Gebruik alleen accessoires van de fabrikant.
- Houd het product, de accu en de acculader, wanneer deze niet in gebruik zijn, apart in een droge, afgesloten locatie binnenshuis. Zorg dat kinderen en niet-geautoriseerde personen geen toegang hebben tot het product, de accu of de acculader.

# Montage

## Inleiding



**WAARSCHUWING:** Lees het hoofdstuk over veiligheid voordat u het product monteert.



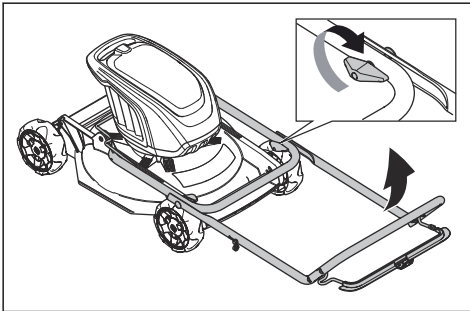
**WAARSCHUWING:** Voorkom onbedoeld starten tijdens de montage door de veiligheidsleutel op 0 te zetten, de accu te verwijderen en ten minste 5 seconden te wachten.

## Hendel monteren

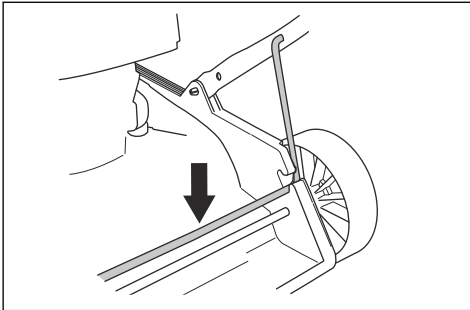


**OPGELET:** Draai de kabels niet in elkaar.

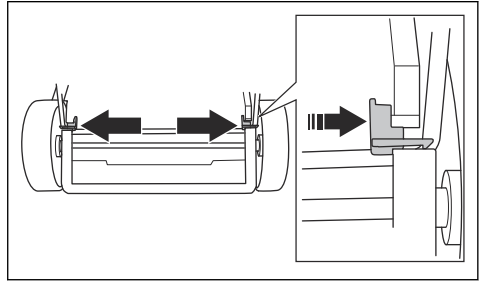
1. Lijn de openingen in de bovenste hendel uit met de openingen in de onderste hendel.
2. Draai de knoppen aan de linker- en rechterzijde volledig vast en klap de hendel op.



3. Plaats de steun in de groef op het maaidek.



4. Bevestig de 2 stoppers die de steun en de hendel vergrendelen. Druk ze volledig op hun plaats.



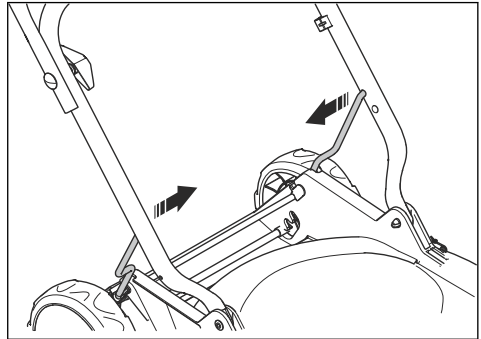
**Let op:** Er zijn 2 stoppers, één is gemarkeerd met een H en één met een V. Plaats de stopper met een H aan de rechterkant en de stopper met een V aan de linkerkant.



**OPGELET:** Gebruik dit product alleen als de 2 stoppers zijn bevestigd.

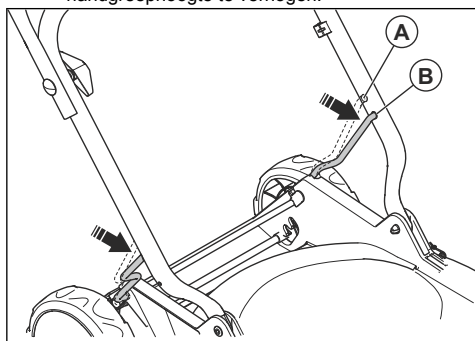
## Hoogte van de handgreep afstellen

1. Verwijder de beugel van de onderste handgreep.



- a) Plaats de beugel in het bovenste gat (A) om de handgreephoogte te verlagen.

- b) Plaats de beugel in het onderste gat (B) om de handgreephoogte te verhogen.



## Werking

### Inleiding



**WAARSCHUWING:** Voordat u het product gaat gebruiken, dient u het hoofdstuk over veiligheid te lezen en hebben begrepen.

### Husqvarna Connect

Husqvarna Connect is een gratis app voor uw mobiele apparaat. De Husqvarna Connect-app biedt uitgebreide functies voor uw Husqvarna-product:

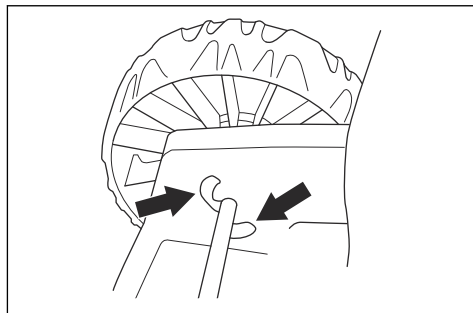
- Uitgebreide productinformatie.
- Informatie over, en hulp bij, onderdelen en onderhoud van uw product.

### Husqvarna Connect gebruiken

1. Download de Husqvarna Connect-app op uw mobiele apparaat.
2. Registreer in de Husqvarna Connect-app.
3. Volg de instructies in de Husqvarna Connect-app om verbinding te maken met het product en dit te registreren.

### Maaihoogte afstellen

- Druk de as eruit en zet deze in de juiste positie voor elk van de 4 wielen.



**OPGELET:** Stel de maaihoogte niet te laag in. Als het oppervlak van het gazon niet waterpas is, kunnen de messen de grond raken.

### Accu

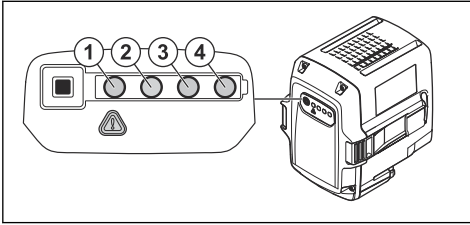


**WAARSCHUWING:** Voordat u het product gebruikt, dient u het hoofdstuk over veiligheid te lezen en hebben begrepen. Zorg er ook voor dat u de bedieningshandleiding bij de accu en de acculader hebt gelezen en begrepen.

### Accustatus

Het display geeft de resterende accucapaciteit aan en geeft aan of er problemen zijn met de accu. De accucapaciteit wordt gedurende 5 seconden nadat het product is uitgeschakeld, weergegeven na het indrukken van de accu-indicatorknop. Het waarschuwingssymbool

op de accu gaat branden als er een fout is opgetreden. Zie *Accu op pagina 372*.



LED-lampjes	Accustatus
Alle leds branden	Volledig opgeladen (75-100%)
Led 1, led 2, led 3 branden	De accu is 50%-75% opgeladen
Led 1, led 2 branden	De accu is 25%-50% opgeladen
Led 1 brandt	De accu is 0%-25% opgeladen.
LED 1 knippert	De accu is leeg. Laad de accu op.

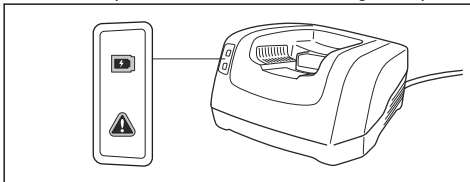
## De accu opladen

Laad de accu voor het eerste gebruik op. De accu is slechts 30% opgeladen wanneer deze aan de klant wordt geleverd.

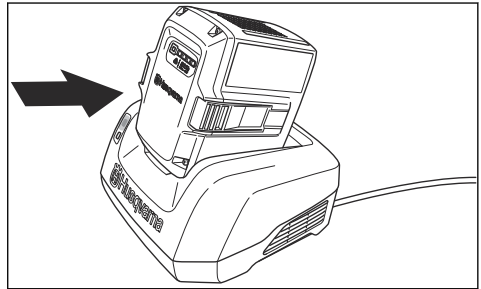
**Let op:** De acculader moet worden aangesloten op de spanning en frequentie die overeenkomen met de specificaties op het productplaatje.

De accu wordt niet opgeladen als de accutemperatuur hoger is dan 50°C. De acculader verlaagt de temperatuur van de accu voordat deze begint te laden.

1. Sluit een uiteinde van de voedingskabel voor de acculader aan op de aansluiting van de acculader.
2. Sluit het andere uiteinde van de voedingskabel van de acculader aan op een geaarde wandcontactdoos. De LED op de acculader licht eenmaal groen op.



3. Plaats de accu in de acculader. Het groene lampje op de lader gaat branden wanneer de accu correct is aangesloten op de acculader.



4. Wanneer alle LED's op de accu branden, is de accu volledig opgeladen. Laad de accu max. 24 uur op.
5. Om de acculader uit de wandcontactdoos los te koppelen, dient u aan de stekker, niet aan de kabel te trekken.
6. Haal de accu uit de acculader.

## Acculaadstatus

Een Li-ionaccu van Husqvarna kan worden opgeladen en gebruikt bij alle laadniveaus. De accu wordt niet beschadigd. Een volledig opgeladen accu zal geen lading verliezen, zelfs niet wanneer de accu in de lader blijft staan.

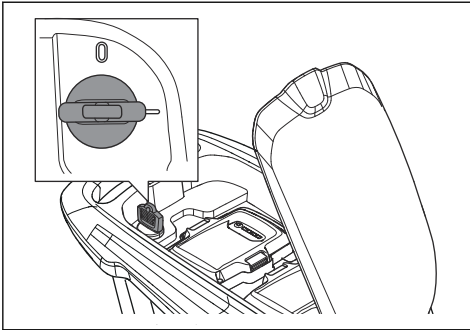
LED-display	Laadstatus
LED 1 knippert	0%-25%
Led 1 brandt, led 2 knippert	25%-50%
Led 1 en led 2 branden, led 3 knippert	50%-75%
Led 1, led 2 en led 3 branden, led 4 knippert	75%-100%
Led 1, led 2, led 3, led 4 branden	Volledig opgeladen

## Product starten

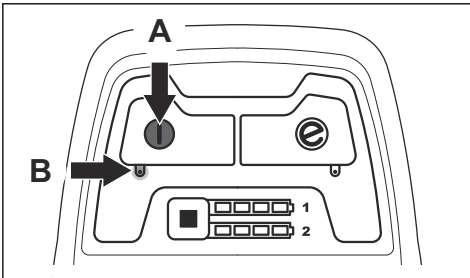
1. Plaats een opgeladen accu in accucompartiment 1 onder het accudeksel. Plaats een tweede opgeladen accu in accucompartiment 2 voor een langere bedrijfstijd.



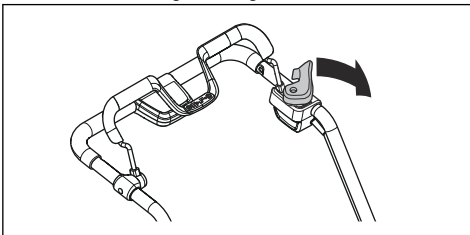
2. Draai de veiligheidssleutel naar 1.



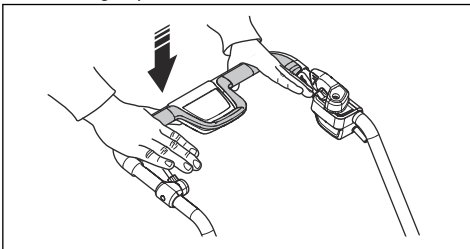
3. Blijf achter het product.
4. Druk op de AAN/UIT-knop (A) op het bedieningspaneel en de groene LED (B) gaat branden.



5. Maak de startvergrendeling los.



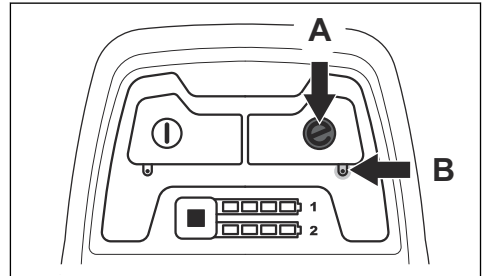
6. Druk de hendel van de motorrem in de richting van de handgreep.



## De functie SavE gebruiken

Het product heeft een accubesparingsfunctie (SavE) die voor een langere bedrijfstijd zorgt.

1. Druk op de knop SavE (A) om de functie te starten. De groene LED gaat branden.



2. Druk nogmaals op de knop SavE om de functie uit te schakelen. De groene LED (B) gaat uit.

De functie SavE stopt automatisch als de bodemgesteldheid een hoger vermogen vereist. De functie SavE start automatisch als de bodemgesteldheid dit toelaat.

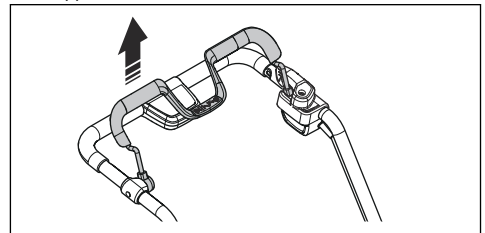
## Functie voor hoge belasting

Als het product lang of vochtig gras maait, verhoogt de motor automatisch het toerental. De motor gaat terug naar de standaardmodus wanneer een hoge belasting niet noodzakelijk is.

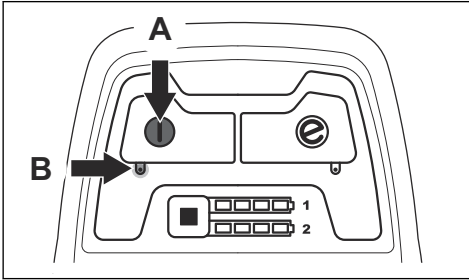
## Product stoppen

Het product stopt automatisch als het 10 minuten niet wordt bediend. Zet altijd de beveiligingssleutel op 0 wanneer u geen toezicht houdt op het product.

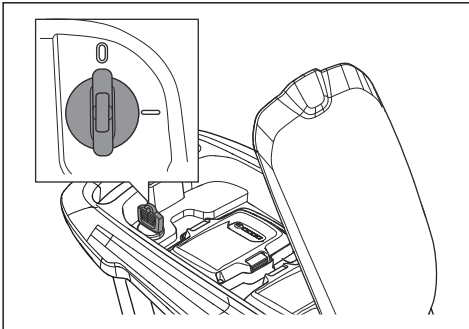
1. Laat de remhendel van de motor los om de motor te stoppen.



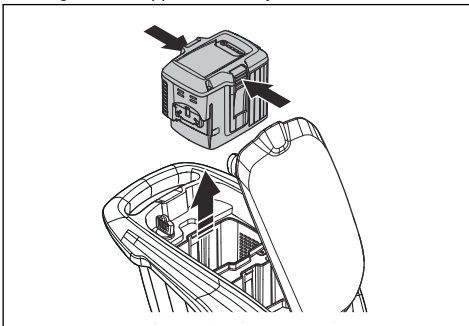
2. Houd de AAN/UIT-knop (A) op het bedieningspaneel ingedrukt totdat de groene LED (B) uitgaat.



3. Open het accudeksel en zet de veiligheidssleutel in de stand 0.



4. Om de accu te verwijderen, drukt u op de twee ontgrendelknoppen en verwijdt u de accu.



5. Laad de accu op wanneer deze zwak is. Voor meer informatie zie *De accu opladen op pagina 368*.

## Een goed resultaat verkrijgen

- Gebruik altijd een scherp mes. Een bot mes geeft een onregelmatig resultaat en het snijvlak van het gras wordt geel. Een scherp mes verbruikt ook minder energie dan een bot mes.
- Maai nooit meer dan 1/3e van de lengte van het gras af. Maai eerst met een hoog ingestelde maaahoogte. Controleer het resultaat en verlaag de snijhoogte tot een geschikt niveau. Als het gras echt lang is, rijd dan langzaam en maai zo nodig 2 keer.
- Maai elke keer in een andere richting, om het ontstaan van strepen in het gazon te voorkomen.
- Houd de kap van het maaidek schoon. Door ophoping van gras en vuil aan de binnenkant van de kap van het maaidek kunnen de maairesultaten verminderen. Zie *Product reinigen op pagina 371*.

---

## Onderhoud

---

### Inleiding



**WAARSCHUWING:** Voordat u onderhoud gaat uitvoeren, dient u het hoofdstuk over veiligheid te lezen en hebben begrepen.

Voor alle onderhouds- en reparatiewerkzaamheden aan het product is speciale training nodig. Wij garanderen de

beschikbaarheid van professionele reparaties en onderhoud. Indien uw dealer geen servicewerkplaats heeft, vraag hem dan naar de dichtstbijzijnde servicewerkplaats.

### Onderhoudsschema

De onderhoudsintervallen worden berekend op basis van het dagelijks gebruik van het product. De intervallen veranderen als het product niet dagelijks wordt gebruikt.

Voor onderhoud dat is gemarkeerd met \*: zie de instructies in *Veiligheidsvoorzieningen op het product op pagina 362*.

	Elk gebruik	Maandlijks	Elk seizoen
Algemene inspectie uitvoeren	X		
Product reinigen	X		
Controleer de startvergrendeling *	X		
Controleer of de veiligheidsvoorzieningen op het product in orde zijn *	X		
Snijuitrusting controleren	X		
Kap van het maaidek controleren *	X		
Controleer de remhendel van de motor *	X		
Zorg dat de AAN/UIT-knop naar behoren werkt en in orde is	X		
Controleer de accu op beschadigingen	X		
Controleer het laadniveau van de accu	X		
Controleer of de ontgrendelknoppen op de accu naar behoren werken en de accu in het product wordt vergrendeld	X		
Controleer de acculader op beschadiging en zorg dat deze naar behoren werkt.		X	
Controleer de verbindingen tussen de accu en het product. Controleer ook de verbinding tussen de accu en de acculader.			X

## Algemene inspectie uitvoeren

- Controleer of de moeren en schroeven op het product goed zijn vastgedraaid.
- Zorg dat de kabels van het product zich in een positie vinden waarin ze niet beschadigd kunnen raken.

## Product reinigen

- Reinig de kunststof onderdelen met een schone en droge doek.
- Gebruik geen water om het product te reinigen. Water kan de accu of de motor binnendringen en kortsluiting of schade aan het product veroorzaken.
- Reinig het product niet met een hogedrukspuit.
- Laat nooit water rechtstreeks op de motor stromen.
- Gebruik een borstel om bladeren, gras en vuil te verwijderen.

## Accu en acculader reinigen



**WAARSCHUWING:** Reinig de accu of acculader nooit met water.

- Zorg ervoor dat de accu en de acculader schoon en droog zijn voordat u de accu in de acculader plaatst.

- Reinig de accupolen met perslucht of gebruik een zachte en droge doek.
- Reinig de oppervlakken van de accu en de acculader met een zachte en droge doek.

## Snijuitrusting controleren



**WAARSCHUWING:** Voorkom onbedoeld starten door de veiligheidssleutel op 0 te zetten, de accu te verwijderen en ten minste 5 seconden te wachten.



**WAARSCHUWING:** Draag beschermende handschoenen wanneer u onderhoud aan de snijuitrusting uitvoert. Het mes is zeer scherp en kan gemakkelijk snijwonden veroorzaken.

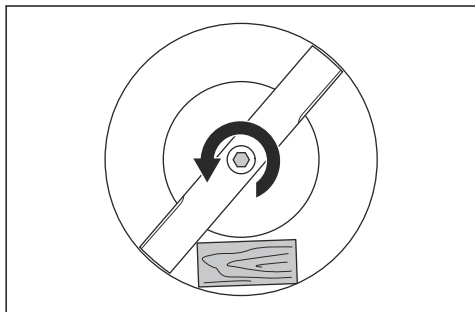
1. Controleer de snijuitrusting op beschadiging of scheuren. Vervang beschadigde snijuitrusting altijd.
2. Kijk naar het mes om te zien of dit is beschadigd of bot is.

**Let op:** Het mes moet na het slijpen worden gebalanceerd. Laat het slijpen, vervangen en balanceren door een servicecentrum uitvoeren. Als u een obstakel raakt waardoor het product stopt, vervang

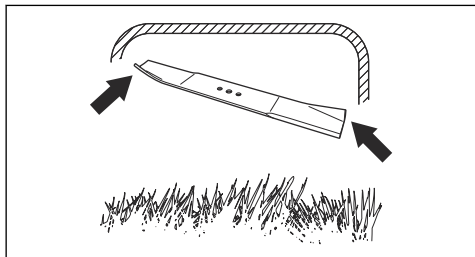
dan het beschadigde mes. Laat het servicecentrum beoordelen of het mes kan worden geslepen of moet worden vervangen.

## Mes vervangen

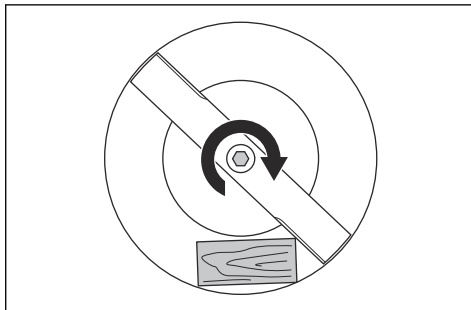
1. Zet het mes vast met een houten blok.



2. Verwijder de mesbout.
3. Verwijder het mes.
4. Controleer de messteun en de mesbout om te zien of er schade is.
5. Controleer de motoras om te controleren of deze niet is verbogen.
6. Wanneer u het nieuwe mes bevestigt, richt dan de gebogen uiteinden van het mes naar de kap van het maaidek.



7. Controleer of het mes is uitgelijnd met het midden van de motoras.
8. Zet het mes vast met een houten blok. Bevestig de veerring en draai de bout en ring vast met een aanhaalmoment van 20 Nm.23–28



9. Draai het mes met de hand rond en controleer of het vrij draait.



**WAARSCHUWING:** Draag handschoenen van dikke stof. Het mes is zeer scherp en kan gemakkelijk snijwonden veroorzaken.

10. Start het product om het mes te testen. Als het mes niet goed is bevestigd, zijn er trillingen in het product of is het maieresultaat niet goed.

## Probleemoplossing

### Accu

LED op de accu	Oorzaak	Oplossing
De groene led knippert.	De accuspanning is laag.	Laad de accu op. Zie <i>De accu opladen op pagina 368</i> .

LED op de accu	Oorzaak	Oplossing
De fout-led knippert.	De accu is zwak.	Laad de accu op. Zie <i>De accu opladen op pagina 368</i> .
	De temperatuur in de werkomgeving is te hoog of te laag.	Gebruik de accu bij temperaturen tussen -10 °C en 40 °C.
	Overspanning.	Controleer of de netspanning overeenkomt met de spanning die is aangegeven op het typeplaatje op het product. Haal de accu uit de acculader. Wacht 5 seconden en probeer de accu opnieuw op te laden. Indien het probleem zich blijft voordoen, neem dan contact op met een erkende servicewerkplaats.
De fout-led brandt.	Het celverschil is te groot (1 V).	Neem contact op met een erkende servicewerkplaats.

## Acculader

LED op de acculader	Oorzaak	Oplossing
De fout-led knippert.	De temperatuur in de werkomgeving is te hoog of te laag.	Gebruik de acculader bij temperaturen tussen 5 °C en 40 °C.
De fout-led brandt.		Neem contact op met een erkende servicewerkplaats.

## Bedieningspaneel

Neem bij problemen die niet in dit hoofdstuk worden vermeld, contact op met uw servicewerkplaats.

Toetsenbord	Foutcode (aantal keer knippen)	Mogelijke fouten	Mogelijke actie
De fout-LED knippert	3	De motor is overbelast	Vergroot de maaihoogte. Zie <i>Maaihoogte afstellen op pagina 367</i> .
	5	Het motortoerental daalt te veel en de motor stopt	
	10	De motorregeling is te warm	Stop de motor en wacht tot hij is afgekoeld
	2	Het mes is geblokkeerd	Voorkom onbedoeld starten door de veiligheidssleutel op 0 te zetten, de accu te verwijderen en ten minste 5 seconden te wachten. Zorg ervoor dat het blad vrij kan draaien. Indien het probleem zich blijft voordoen, neem dan contact op met een erkende servicewerkplaats
	9	Accufout of geen signaal van de accu	Plaats de accu correct in het product en controleer de accuconnector. Als de fout-LED op de accu knippert, zie <i>Accu op pagina 367</i> .

Toetsenbord	Foutcode (aantal keer knippen)	Mogelijke fouten	Mogelijke actie
Het product stopt	8	De accu is zwak	Laad de accu op. Zie <i>De accu opladen op pagina 368</i> .
	0	Storing accuconnector	Controleer de accuconnector

## Vervoer, opslag en verwerking

### Inleiding



**WAARSCHUWING:** Voorkom onbedoeld starten tijdens transport door de veiligheidsleutel op "0" te zetten, de accu te verwijderen en ten minste 5 seconden te wachten.

### Transport

- De wettelijke vereisten voor gevaarlijke stoffen zijn van toepassing voor de Li-ion-accu's die in het product zitten.
- Voor commercieel transport moet aan speciale vereisten voor de verpakking en labels worden voldaan.
- Zorg dat u de regels voor gevaarlijke materialen in acht neemt bij het voorbereiden van het product voor transport. Er kunnen lokale voorschriften van toepassing zijn.
- Verwijder voor transport altijd de accu.
- Plaats tape op de accuconnectors en zorg ervoor dat de accu niet kan bewegen tijdens transport.
- Zet het product vast tijdens transport.

### Opslag

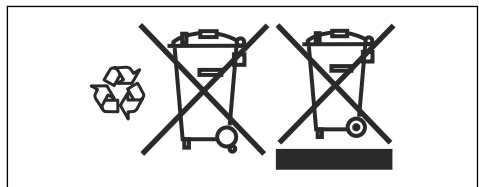
- Verwijder voor opslag altijd de accu.
- Om ongevallen te voorkomen, dient u ervoor te zorgen dat de accu tijdens opslag niet op het product is aangesloten.
- Bewaar de acculader in een afgesloten en droge ruimte.
- Bewaar de accu en de acculader op een droge, vocht- en vorstvrije plaats.
- Koppel de accu tijdens opslag los van de accu.
- Bewaar de accu niet op plaatsen waar statische elektriciteit aanwezig is. Bewaar de accu niet in een metalen doos.

- Bewaar de accu bij een temperatuur tussen 5 °C en 25 °C en nooit in direct zonlicht.
- Bewaar de acculader bij een temperatuur tussen 5 °C en 45 °C en nooit in direct zonlicht.
- Zorg ervoor dat de accu tussen de 30% en 50% is opgeladen alvorens langdurige opslag.
- Bewaar het product, de accu en de acculader in een afgesloten ruimte, buiten bereik van kinderen en onbevoegden.
- Reinig het product en voer een volledige onderhoudsbeurt uit voordat u het product voor langere tijd opslaat.

### Afvoeren

Symbolen op het product of op de verpakking van het product geven aan dat dit product niet beschouwd kan worden als huishoudelijk afval. Het moet worden ingeleverd bij een geschikt inzamelstation voor het terugwinnen van elektrische en elektronische apparatuur.

Als u ervoor zorgt dat dit product goed wordt verwerkt, helpt u mogelijk negatieve gevolgen voor het milieu en mensen door verkeerd afvalbeheer van dit product tegen te gaan. Neem voor meer informatie over het recyclen van dit product contact op met de gemeente, het afvalverwerkingsbedrijf of de winkel waar u het product hebt gekocht.



## Technische gegevens

	<b>LB 146i</b>
<b>Maaimotor</b>	
Motortype	BLDC (borstelloos) 36 V
Motortoerental – SavE, tpm	2600
Motortoerental – nominaal, tpm	3000
Motortoerental – hoge belasting, tpm	3500
Uitgangsvermogen motor – max. kW	1,05
Uitgangsvermogen motor – nominaal, kW	0,9
Limiet te hoge stroomsterkte (Limiet stroomsterkte: 900W-27A)	27 (+/-) 1A
<b>Gewicht</b>	
Gewicht zonder accu, kg	16,9
<b>Accu</b> <sup>65</sup>	
Type accu	Accuserie Husqvarna
<b>Gebruiksduur accu</b>	
Gebruiksduur accu, min. (onbelast gebruik) met SavE geactiveerd, met één Husqvarna 5,2 Ah-accu. (BLi200).	77
Gebruiksduur accu, min. (onbelast gebruik) met standaardmodus geactiveerd, met één Husqvarna 5,2 Ah-accu (BLi200).	45
<b>Geluidsemisies</b> <sup>66</sup>	
Geluidsvermogensniveau, gemeten dB(A)	90
Geluidsvermogensniveau, gegarandeerd L <sub>WA</sub> dB (A)	91
<b>Geluidsniveau</b> <sup>67</sup>	
Geluidsdrukniveau bij het oor van de gebruiker, dB(A)	79
<b>Trillingsniveau</b> <sup>68</sup>	
Handgreep, m/s <sup>2</sup>	0,9
<b>Snijuitrusting</b>	
Maaihoogte, mm	35-70 mm
Maai breedte, cm	46
Mes	BioClip

<sup>65</sup> Voor het beste resultaat en de beste werking wordt de Husqvarna-accu BLi200 geadviseerd.

<sup>66</sup> Geluidsemisie naar de omgeving gemeten als geluidsvermogen (L<sub>WA</sub>) volgens EG-richtlijn 2000/14/EG.

<sup>67</sup> De gerapporteerde gegevens voor het geluidsdrukniveau vertonen een typische statistische spreiding (standaardafwijking) van 1,2 dB (A).

<sup>68</sup> De gerapporteerde gegevens voor een trillingsniveau vertonen een typische statistische spreiding (standaardafwijking) van 0,2 m/s<sup>2</sup>. Trillingsnorm EN 60335-2-77:2017 hoofdstuk 20.105

	<b>LB 146i</b>
Artikelnummer	5947022-10

<b>Goedgekeurde accu's</b>	<b>Type</b>	<b>Accucapaciteit, Ah</b>	<b>Spanning, V</b>	<b>Gewicht, lb/kg</b>
BLi20	Lithium-ion	4,0	36	2,6/1,2
BLi200	Lithium-ion	5,2	36	2,8/1,3
BLi300	Lithium-ion	9,4	36	4,2/1,9

<b>Goedgekeurde laders voor de gespecificeerde accu's, BLi</b>	<b>Ingangsspanning, V</b>	<b>Frequentie, Hz</b>	<b>Vermogen, W</b>
QC80	100-240	50-60	100
QC80F	10-15	N.v.t.	95
QC330	100-240	50-60	330
QC500	100-240	50-60	500
40-C80	100-240	50-60	68,8



---

# EG verklaring van overeenstemming

---

## EG verklaring van overeenstemming

**Husqvarna AB**, SE-561 82 Huskvarna, Zweden, tel.:

+46-36-146500, verklaart dat de **gazonmaaier**

**Husqvarna LB 146i** van het jaar 2021 en nieuwer, voldoet aan de voorschriften van de RICHTLIJN VAN DE RAAD:

- van 8 juni 2011 over de "beperking van het gebruik van bepaalde gevaarlijke stoffen" **2011/65/EU**
- van 17 mei 2006 "met betrekking tot machines" **2006/42/EG**
- van 26 februari 2014 "met betrekking tot elektromagnetische compatibiliteit" **2014/30/EU**
- van 8 mei 2000 "met betrekking tot geluidsemissies in het milieu" **2000/14/EG**

Zie Technische gegevens voor informatie over geluidsemissies.

De volgende normen zijn van toepassing:

**EN 60335-1:2012+A11:2014+A13:2017, EN 60335-2-77:2010, EN 62233:2008, EN 55014-1:2017+A11:2020, EN 55014-2:2015, EN IEC 63000:2018**

Tenzij anders vermeld, betreft het de meest recente versies van de hierboven genoemde normen.

Aangemelde instantie: **0404, RISE SMP Svensk Maskinprovning AB, Box 7035, SE-750 07 Uppsala** heeft de overeenstemming beoordeeld volgens bijlage VI van richtlijn 2000/14/EG.

Huskvarna, 2021-10-30



Claes Losdal, Development Manager/Garden Products  
(gemachtigde vertegenwoordiger voor Husqvarna AB en verantwoordelijk voor technische documentatie.)

# INNHold

Innledning.....	378	Feilsøking.....	393
Sikkerhet.....	380	Transport, oppbevaring og avhending.....	395
Montering.....	387	Tekniske data.....	395
Drift.....	389	EF-samsvarserklæring.....	398
Vedlikehold.....	392		

## Innledning

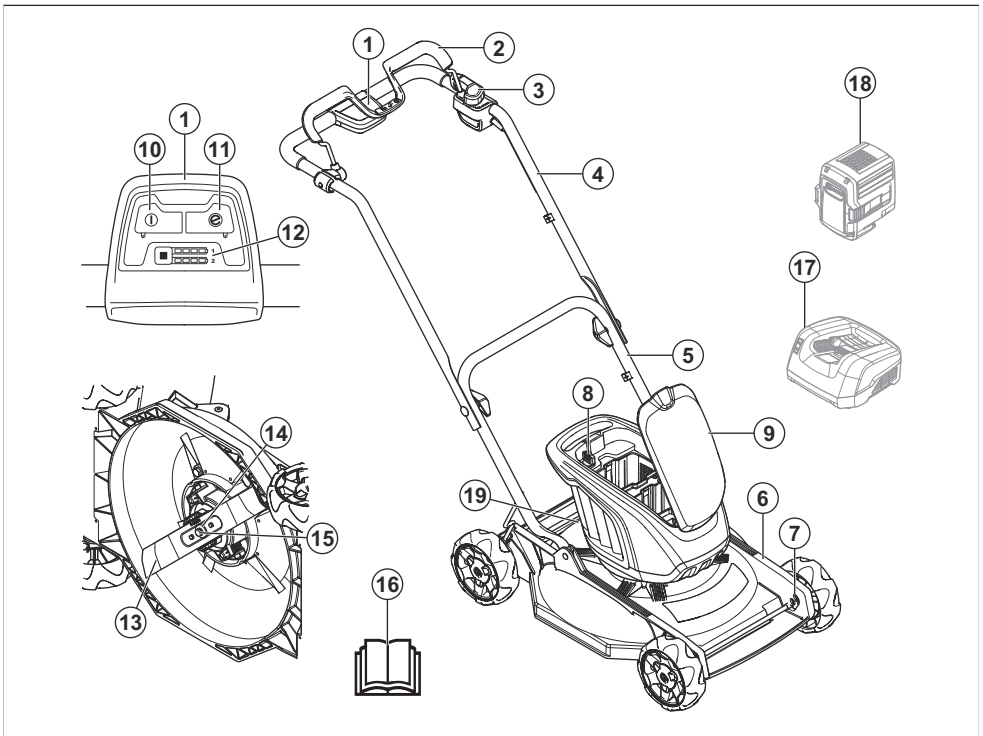
### Produktbeskrivelse

Produktet er en roterende skyveggressklipper som bruker BioClip for å klippe gresset til gjødsel.

### Bruksområder

Bruk produktet til å klippe gress. Ikke bruk produktet til andre oppgaver.

### Produktoversikt



- |                         |   |
|-------------------------|---|
| 1. Kontrollpanel        | 8. Tenningsnøkkel                               |
| 2. Motorbremsehåndtak   | 9. Batterideksel                                |
| 3. Startsperre          | 10. AV/PÅ-knapp                                 |
| 4. Øvre håndtak         | 11. Lagre-knapp                                 |
| 5. Nedre håndtak        | 12. Indikator for batterilading og batteriknapp |
| 6. Klippedeksel         | 13. Hode  |
| 7. Klippehøydejustering | 14. Sprengskive                                 |

- 15. Knivbolt
- 16. Bruksanvisning
- 17. Batterilader (tilleggsutstyr)
- 18. Batteri (tilbehør)
- 19. Typeskilt med QR-kode

## Symboler på produktet



Advarsel: Uforsiktig eller feilaktig bruk kan resultere i skader eller dødsfall for brukeren eller tilskuere.



Les nøye gjennom bruksanvisningen, og sørg for at du har forstått instruksjonene før bruk.



Hold personer og dyr på trygg avstand fra arbeidsområdet.



Se opp for gjenstander som slynges ut og rikosjetterer.



Advarsel: Hold hender og føtter borte fra den roterende kniven.



Advarsel: Hold hender og føtter borte fra bevegelige deler.



Fjern tenningsnøkkelen før du utfører reparasjoner eller vedlikehold.



Må ikke utsettes for regn



Produktet og produktemballasjen er ikke restavfall. Resirkuler det på et gjenvinningsanlegg for elektrisk og elektronisk utstyr.



Dette produktet samsvarer med gjeldende EF-direktiver.



Dette produktet samsvarer med gjeldende Eurasian Customs Union-direktiver.



Dette produktet samsvarer med gjeldende UkrSEPRO-direktiver.



Dette produktet samsvarer med gjeldende RCM-direktiver. Gjelder bare i AU/NZ.



Støyutslipp til omgivelsene ifølge EFs direktiv. Produktutslippene angis i kapittelet Tekniske data og på klistremerket.

**IPX1** IPX1 – Dryppebeskyttet



### Startprosedyre:

Tryk på PÅ/AV-knappen, løsne startsperran, skyv motorbremsehåndtaket ned.

FARE – hold hender og føtter unna.

### Produktansvar

Som nevnt i lovverket om produktansvar er vi ikke ansvarlig for skader som produktet vårt forårsaker, i følgende tilfeller:

- Produktet er reparert på feil måte.
- Produktet er reparert med deler som ikke kommer fra produsenten eller som ikke er godkjent av produsenten.
- Produktet har et tilbehør som ikke kommer fra produsenten eller som ikke er godkjent av produsenten.
- Produktet er ikke reparert på et godkjent servicesenter eller av en godkjent aktør.



Slipp motorbremshåndtaket for å stoppe.

**Merk:** Øvrige symboler/klistremerker angitt på produktet gjelder sertifiseringskrav for visse markeder.

### Etikett på produktet



## Sikkerhet

### Sikkerhetsdefinisjoner

Advarsler, oppfordringer og merknader brukes for å understreke spesielt viktige deler av bruksanvisningen.

personer om instruksjonene i håndboken ikke følges.



**ADVARSEL:** Brukes hvis det er fare for personskade eller død for føreren eller andre



**OBS:** Brukes hvis det er fare for skade på produktet, annet materiell eller nærliggende områder om

instruksjonene i  
håndboken ikke følges.

---

**Merk:** Brukes for å gi mer  
nødvendig informasjon for en  
spesifikk situasjon.

---

## Generelle sikkerhetsinstruksjoner

---



**ADVARSEL:** Les de  
følgende  
advarselinstruksjonene  
før du bruker produktet.

---

- Dette produktet er farlig hvis det brukes feil, eller hvis du ikke er forsiktig. Personskade eller død kan forekomme hvis du ikke følger sikkerhetsinstruksjonene.
- Dette produktet danner et elektromagnetisk felt når det er i bruk. Dette feltet kan under visse forhold forstyrre aktive eller passive medisinske implantater. For å redusere faren for hendelser som kan føre til alvorlig eller livstruende skade, anbefaler vi at personer med medisinske implantater rådfører seg med lege og produsenten av det medisinske implantatet før dette produktet tas i bruk.
- Vær alltid forsiktig og bruk sunn fornuft. Hvis du ikke er sikker på hvordan du skal bruke produktet i en bestemt situasjon, må du stoppe og snakke med Husqvarna-forhandleren før du fortsetter.
- Husk at brukeren er ansvarlig for ulykker som involverer andre personer eller deres eiendom.
- Hold produktet rent. Sørg for at du kan lese skilt og merker.
- La aldri barn eller personer som ikke har satt seg inn i bruksanvisningen, bruke apparatet. Operatørens lavalder kan være fastsatt i lokale forskrifter
- Overvåk alltid personer med redusert fysisk eller mental kapasitet når de bruker produktet. En ansvarlig voksen må alltid være til stede.
- Ikke bruk produktet dersom du er trett eller syk eller under påvirkning av alkohol, andre rusmidler eller medisiner. Disse tingene har en negativ effekt på synet, vurderingsevnen og dømmekraften din.
- Ikke bruk produktet hvis det er defekt.
- Ikke modifier dette produktet, og ikke bruk det dersom det er

mulig at andre har modifisert det.

## Sikkerhet i arbeidsområdet

---



**ADVARSEL:** Les de følgende advarselinstruksjonene før du bruker produktet.

---

- Fjern gjenstander som greiner, kvister og steiner fra området før du bruker produktet.
- Gjenstander som treffer skjæreutstyret, kan slynges ut og forårsake skade på personer og gjenstander. Hold tilskuere og dyr på trygg avstand fra produktet.
- Bruk aldri produktet i dårlig vær, for eksempel i tåke, regn, sterk vind, sterk kulde, eller ved fare for lyn. Det er slitsomt å bruke produktet i dårlig vær eller på fuktige eller våte steder. Dårlig vær kan forårsake farlige forhold, for eksempel glatt underlag.
- Hold utkikk etter personer, objekter og situasjoner som kan forhindre sikker bruk av produktet.
- Se etter hindringer, for eksempel røtter, steiner, kvister, fordypninger og grøfter. Høyt gress kan skjule hindringer.

- Det kan være farlig å klippe gress i skråninger. Ikke klipp hvis bakken er for bratt. Ikke bruk produktet i skråninger som heller mer enn 15 grader
- Vær ekstremt forsiktig når du svinger i bakker/hellinger. Bruk produktet på tvers av skråninger. Ikke gå opp og ned.
- Vær forsiktig når du nærmer deg skjulte hjørner eller gjenstander som blokkerer sikten.

## Arbeidssikkerhet

---



**ADVARSEL:** Les de følgende advarene før du bruker produktet.

---

- Bruk dette produktet bare til å klippe gressplener. Det er ikke tillatt å bruke det til andre formål.
- Bruk personlig verneutstyr. Se *Personlig verneutstyr på side 384*.
- Sørg for at du vet hvordan du stopper motoren raskt i en nødssituasjon.
- Produktet må ikke brukes i regn eller fuktige omgivelser. Fare for elektrisk støt øker hvis det kommer vann inn i produktet.

- Ikke bruk produktet med mindre kniven og alle deksler er riktig montert. En kniv som er feilmontert, kan løsne og forårsake personskade.
- Pass på at kniven ikke kommer borti gjenstander som steiner og røtter. Dette kan skade kniven og bøye motorakselen. En bøyd aksel kan forårsake mye vibrasjon og utgjør en svært høy fare for at kniven blir løs.
- Hvis kniven treffer en gjenstand eller det oppstår kraftige vibrasjoner, må produktet stanses øyeblikkelig. Stopp motoren, vri tenningsnøkkelen til 0, og fjern batteriet. Kontroller produktet for skader. Reparer skader, eller la et autorisert serviceverksted utføre reparasjon.
- Du må aldri feste motorbremsehåndtaket permanent til håndtaket når motoren startes.
- Plasser produktet på et stabilt, flatt underlag, og start det. Pass på at kniven ikke berører bakken eller andre gjenstander.
- Hold deg alltid bak produktet når du bruker det.
- La alle hjulene være på bakken, og hold begge hender på håndtaket når du bruker produktet. Hold hender og føtter borte fra de roterende knivene.
- Unngå å vippe produktet opp mens motoren startes.
- Vær forsiktig når du trekker produktet bakover.
- Du må aldri løfte produktet når motoren startes. Hvis du har behov for å løfte produktet, må du først stoppe motoren, vri tenningsnøkkelen til 0 og fjerne batteriet.
- Ikke gå bakover når du bruker produktet.
- Stopp motoren når du går over områder uten gress, for eksempel gangveier av grus, stein og asfalt.
- Ikke løp med produktet når motoren er på. Du må alltid gå mens du bruker produktet.
- Stopp motoren før du endrer klippehøyde. Utfør aldri justeringer mens motoren er i gang.
- La aldri produktet være ute av syne mens motoren er i gang. Stopp motoren, og forsikre deg om at skjæreutstyret ikke roterer.

## Sikkerhetsinstruksjoner for drift

### Personlig verneutstyr



**ADVARSEL:** Les de følgende advarselinstruksjonene før du bruker produktet.

- Verneutstyr kan aldri fullstendig forhindre skade, men det reduserer skadeomfanget hvis ulykken inntreffer. Spør forhandleren din om hjelp til å velge riktig utstyr.
- Bruk kraftige, sklisikre støvler eller sko. Ikke bruk åpne sko eller gå barbeint.
- Bruk tykke langbukser.
- Bruk vernehansker når det er nødvendig, for eksempel når du fester, undersøker eller rengjør skjæreutstyret.

### Sikkerhetsutstyr på produktet



**ADVARSEL:** Les de følgende advarselinstruksjonene før du bruker produktet.

- Ikke bruk produktet dersom sikkerhetsutstyret er defekt.
- Utfør regelmessig kontroll av sikkerhetsutstyret. Ta kontakt med ditt Husqvarna-serviceverksted, dersom sikkerhetsutstyret er defekt.

### Slik kontrollerer du klippedekselet

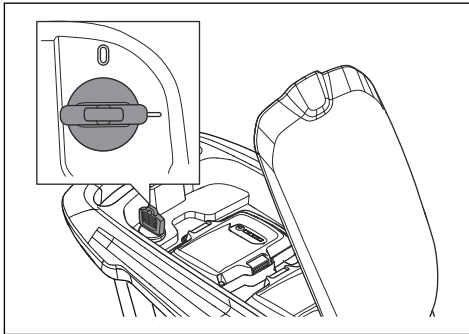
Klippedekselet gir mindre vibrasjoner og minsker risikoen for skader forårsaket av kniven.

- Undersøk klippedekselet for å sikre at det ikke er noen skader, for eksempel sprekker.

### Tenningsnøkkel

Tenningsnøkkelen er under batteridekselet. Tenningsnøkkelen kobler til batteriet som forsyner motoren med strøm.

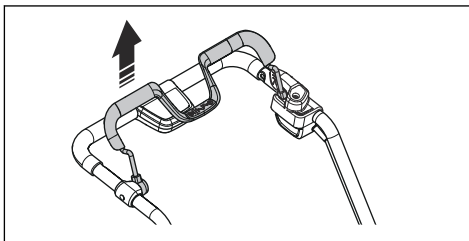
- Skru motoren på og av for å utføre en kontroll av tenningsnøkkelen.
- Hvis tenningsnøkkelen fungerer riktig, kan motoren bare starte når tenningsnøkkelen er i posisjon 1.



### Motorbremseshåndtak

Motorbremseshåndtaket stopper motoren. Når du slipper motorbremseshåndtaket, stopper motoren.

Hvis du vil kontrollere motorbremsen, starter du motoren og slipper deretter motorbremseshåndtaket. Hvis motoren ikke stopper innen tre sekunder, må du la et godkjent Husqvarna-serviceverksted justere motorbremsen.



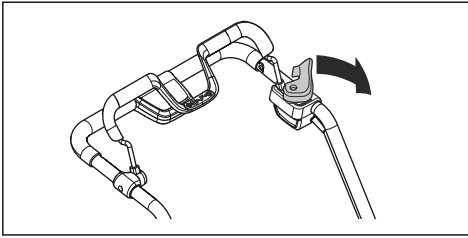
### Slik undersøker du startsperreren

Utfør en kontroll av startsperreren for å sikre at den hindrer driften av motoren.

1. Trykk motorbremseshåndtaket i retning av styret. Startsperreren stopper bevegelsen.



2. Skyv startspærren ut.



3. Løsne startspærren, og kontroller at den går tilbake til sin opprinnelige posisjon.

## Batterisikkerhet



**ADVARSEL:** Les de følgende advarslene før du bruker produktet.

- Bruk bare Husqvarna oppladbare batterier som strømforsyning for relaterte Husqvarna-produkter. For å unngå personskader må du ikke bruke batteriet som strømforsyning for andre enheter.
- Ikke bruk ikke-oppladbare batterier.
- Fare for elektrisk støt. Ikke la batteripolene komme i kontakt med nøkler, mynter, skruer eller andre metallgjenstander. Dette kan føre til kortslutning av batteriet.
- Ikke sett gjenstander inn i luftåpningene til batteriet.
- Hold batteriet unna sollys, varme og åpen ild. Batteriet kan eksplodere og forårsake

forbrenninger og/eller kjemiske forbrenninger.

- Hold batteriet unna regn og fuktighet.
- Hold batteriet unna mikrobølger og høyt trykk.
- Ikke prøv å demontere eller ødelegge batteriet.
- Hvis batteriet lekker, må væsken ikke komme i kontakt med hud eller øyne. Hvis du har berørt væsken, må du rengjøre området med store mengder vann og oppsøke legehjelp.
- Bruk batteriet i temperaturer mellom  $-10$  og  $40$  °C.
- Ikke rengjør batteriet eller batteriladeren med vann. Se *Slik rengjør du batteriet og batteriladeren på side 392*.
- Ikke bruk et defekt eller skadet batteri.
- Oppbevar batteriene unna metallgjenstander, for eksempel spikre, mynter og smykker.

## Sikker bruk av batteriladeren



**ADVARSEL:** Les de følgende advarslene før du bruker produktet.

- Bruk QC-batteriladere bare til å lade Husqvarna-erstatningsbatteriene.
- Fare for elektrisk støt eller kortslutning. Ikke sett gjenstander inn i luftåpningene til laderen. Ikke prøv å demontere batteriladeren. Ikke la ladekontaktene berøre metallgjenstander. Bruk en godkjent stikkontakt.
- Dette produktet danner et elektromagnetisk felt når det er i bruk. Dette feltet kan under visse forhold forstyrre aktive eller passive medisinske implantater. For å redusere faren for forhold som kan føre til alvorlig eller livstruende skade, anbefaler vi at personer med medisinske implantater rådfører seg med sin lege og produsenten av det medisinske implantatet før dette produktet tas i bruk.
- Kontroller regelmessig at strømledningen til batteriladeren ikke er skadet, og at det ikke er sprekker i den.
- Ikke løft batteriladeren etter strømledningen. For å koble laderen fra stikkontakten drar du i støpselet. Ikke dra i ledningen.
- Hold strømledningen og skjøteledninger borte fra vann, olje og skarpe kanter. Pass på at kabelen ikke kommer i klem i dører, gjerder eller lignende. Det kan føre til at laderen blir strømførende.
- Ikke rengjør batteriladeren med vann.
- Batteriladeren kan brukes av barn over 8 år og personer med nedsatte fysiske og mentale evner eller personer uten erfaring eller kunnskap hvis de får tilsyn eller instruksjoner om hvordan de bruker batteriladeren på en sikker måte, og forstår farene ved bruken. Barn skal ikke leke med batteriladeren. Rengjøring og vedlikehold skal ikke utføres av barn uten tilsyn.
- Ikke lad engangsbatterier i batteriladeren.
- Ikke bruk batteriladeren i nærheten av brennbare materialer eller materialer som kan forårsake korrosjon. Batteriladeren må ikke tildekkes. Trekk ut støpselet til batteriladeren hvis det oppstår røyk eller brann.
- Ikke bruk en defekt eller skadet batterilader.

- Bare lad batteriet innendørs på et sted som har god luftsirkulasjon og er beskyttet mot direkte sollys. Ikke lad batteriet i fuktige omgivelser.

## Sikkerhetsinstruksjoner for vedlikehold



**ADVARSEL:** Les de følgende advarselinstruksjonene før du bruker produktet.

- Når du skal hindre utilsiktet start under vedlikehold, vrir du om tenningsnøkkelen til 0 og tar ut batteriet. Vent i minst 5 sekunder før du begynner vedlikeholdet.
- Utfør vedlikeholdsarbeidet på riktig måte for å øke levetiden til produktet og redusere risikoen for ulykker. La et godkjent serviceverksted utføre det fagmessige vedlikeholdet. Snakk med nærmeste serviceverksted for mer informasjon.
- Utfør bare vedlikeholdsarbeid som er beskrevet i denne bruksanvisningen. Mer omfattende inngrep skal utføres av et godkjent serviceverksted.
- Ta på kraftige hansker når du bruker skjæreutstyret. Kniven er svært skarp, og det er lett å kutte seg.
- Hold skjærekantene skarpe og rene for best og sikrest ytelse.
- La serviceverkstedet undersøke produktet regelmessig og utføre de nødvendige justeringene og reparasjonene.
- Skift ut alle skadde, slitte eller ødelagte deler.
- Følg instruksjonene for utskifting av tilbehør. Bruk bare tilbehør fra produsenten.
- Når de ikke er i bruk, oppbevarer du produktet, batteriet og batteriladeren fra hverandre i et tørt, innendørs og avlåst område. Kontroller at barn og personer som ikke er autoriserte, ikke kan få tilgang til produktet, batteriet eller batteriladeren.

## Montering

### Innledning



**ADVARSEL:** Før du monterer produktet, må du lese kapittelet om sikkerhet.



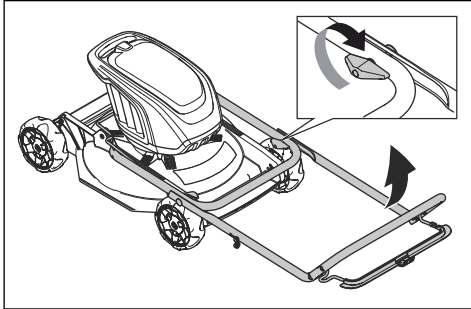
**ADVARSEL:** Når du skal hindre utilsiktet start ved montering, vrir du tenningsnøkkelen til 0, tar ut batteriet og venter i minst fem sekunder.

## Slik monterer du håndtaket

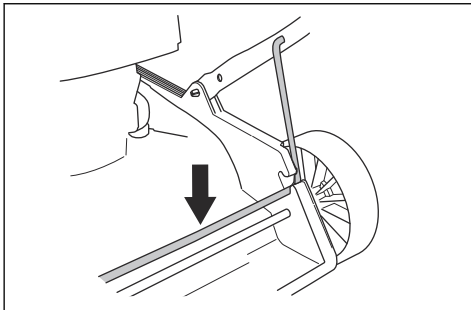


**OBS:** Ikke vri ledningene.

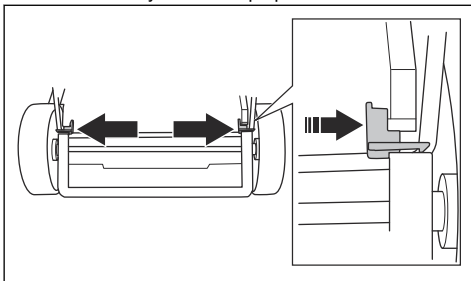
1. Juster hullene i det øvre håndtaket i forhold til hullene i det nedre håndtaket.
2. Trekk til knottene på høyre og venstre side helt, og vipp håndtaket opp.



3. Plasser holderen i sporet på klippedekselet.



4. Monter de to stopperne som låser holderen og håndtaket. Skyv dem helt på plass.



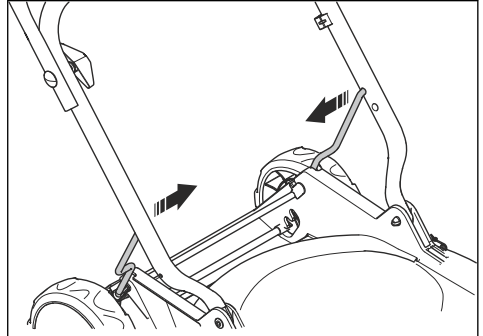
**Merk:** Det finnes to stopper, én er merket med H og den andre med V. Sett stopperen merket H på høyre side og stopperen merket V på venstre side.



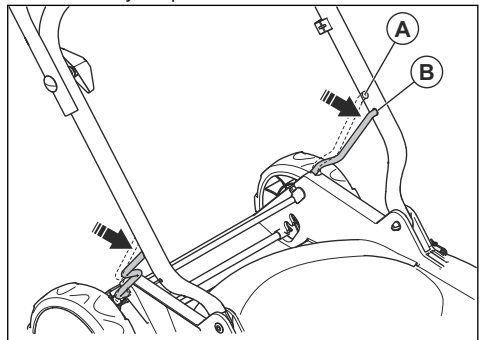
**OBS:** Ikke bruk produktet dersom de to stopperne ikke er montert.

## Slik justerer du høyden på håndtaket

1. Fjern håndtaksstaget fra det nedre håndtaket.



- a) Sett håndtaket i det øverste hullet (A) for å redusere høyden på håndtaket.
- b) Sett håndtaksstaget i det nederste hullet (B) for å øke høyden på håndtaket.



## Innledning



**ADVARSEL:** Før du bruker produktet, må du lese og forstå kapittelet om sikkerhet.

## Husqvarna Connect

Husqvarna Connect er en kostnadsfri app for mobilenheten din. Husqvarna Connect-appen gir utvidede funksjoner for Husqvarna-produktet ditt:

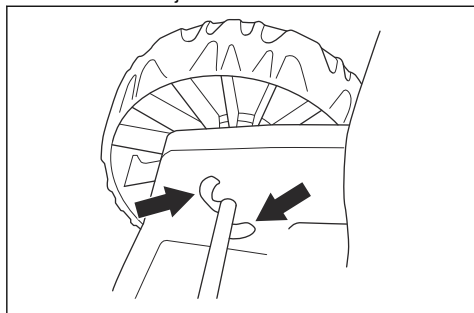
- utvidet produktinformasjon
- informasjon om og hjelp med produktdele og service

## Slik begynner du å bruke Husqvarna Connect

1. Last ned Husqvarna Connect-appen på mobilenheten din.
2. Utfør registrering i Husqvarna Connect-appen.
3. Følg instruksjonene i Husqvarna Connect-appen for å koble til og registrere produktet.

## Slik regulerer du klippehøyden

- Press riggrøret ut, og flytt det til riktig posisjon for hvert av de fire hjulene.



**OBS:** Ikke sett klippehøyden for lavt. Knivene kan treffe bakken hvis overflaten av plenen ikke er vannrett.

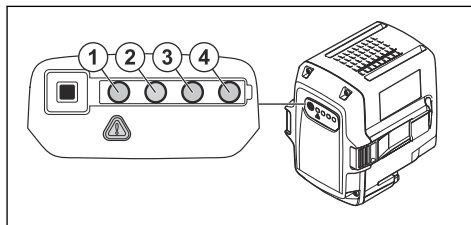
## Batteri



**ADVARSEL:** Før du bruker batteriet, må du lese og forstå kapittelet om sikkerhet. Du må også lese og forstå bruksanvisningen for batteriet og batteriladeren.

## Batteristatus

Displayet viser gjenværende batterikapasitet og eventuelle problemer med batteriet. Batterikapasiteten vises i 5 sekunder etter at produktet er slått av, eller når batteriindikatorknappen trykkes inn. Advarselssymbolet på batteriet lyser hvis en feil oppstår. Se *Batteri på side 393*.



LED-lamper	Batteristatus
Alle LED-indikatorer lyser	Fullt ladet (75–100 %)
LED 1, LED 2, LED 3 lyser.	Batteriet er 50–75 % ladet.
LED 1, LED 2 lyser.	Batteriet er 25–50 % ladet.
LED 1 lyser.	Batteriet er 0–25 % ladet.
LED 1 blinker	Batteriet er utladet. Lad batteriet.

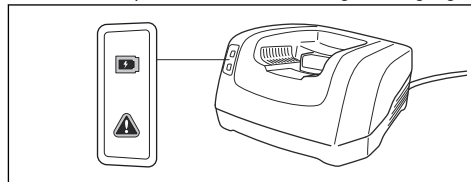
## Slik lader du batteriet

Lad batteriet før første gangs bruk. Batteriet er bare 30 % oppladet når det leveres til kunden.

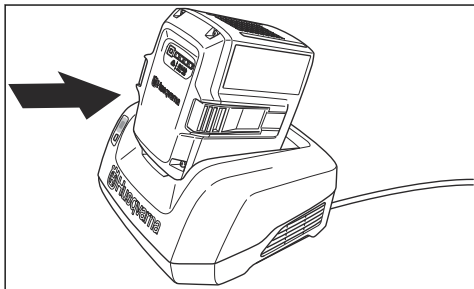
**Merk:** Batteriladeren må kobles til den spenningen og frekvensen som er angitt på typeskiltet.

Batteriet lades ikke hvis batteritemperaturen er over 50 °C. Batteriladeren reduserer batteriets temperatur før den begynner å lade.

1. Koble den ene enden av strømledningen for batteriladeren inn i kontakten på batteriladeren.
2. Koble den andre enden av strømledningen for batteriladeren inn i en jordet stikkontakt. LED-indikatoren på batteriladeren blinker grønt én gang.



3. Sett batteriet i batteriladeren. Den grønne lampen på laderen tennes når batteriet er riktig koblet til laderen.



4. Når alle LED-indikatorerne på batteriet lyser, er batteriet fulladet. Lad batteriet i maks. 24 timer.
5. For å koble laderen fra stikkontakten må du dra i selve støpselet, ikke i ledningen.
6. Fjern batteriet fra batteriladeren.

### Batteriladestatus

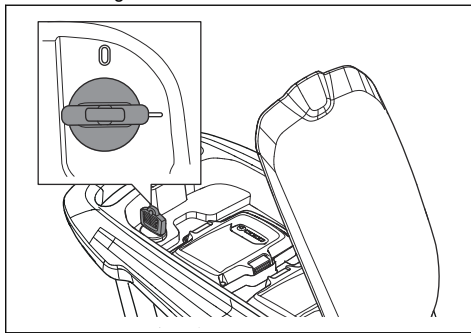
Et Husqvarna Li-ionbatteri kan lades eller brukes ved et hvilket som helst lade nivå. Batteriet blir ikke skadet. Et fulladet batteris lade nivå reduseres ikke når batteriet blir stående i laderen.

LED-display	Ladestatus
LED 1 blinker	0–25 %
LED 1 lyser, LED 2 blinker	25–50 %
LED 1, LED 2 lyser, LED 3 blinker	50–75 %
LED 1, LED 2, LED 3 lyser, LED 4 blinker	75–100 %
Lampe 1, lampe 2, lampe 3 og lampe 4 tennes	Fulladet

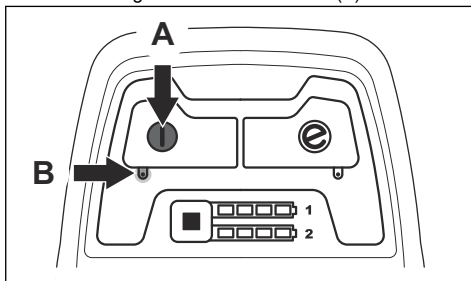
### Starte produktet

1. Sett inn et ladet batteri i batterirom nr. 1 under batteridekselet. For lengre driftstid kan du sett et andre oppladet batteri i batterirom nr. 2.

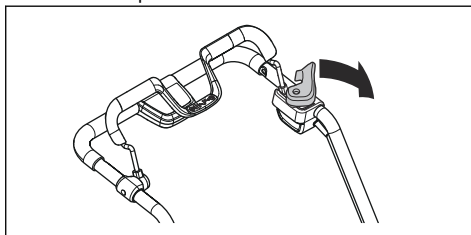
2. Vri tenningsnøkkelen til 1.



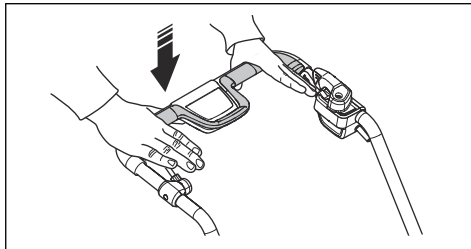
3. Stå bak produktet.
4. Trykk på PÅ/AV-knappen (A) på kontrollpanelet, så tennes den grønne LED-indikatoren (B).



5. Løsne startsperreren.



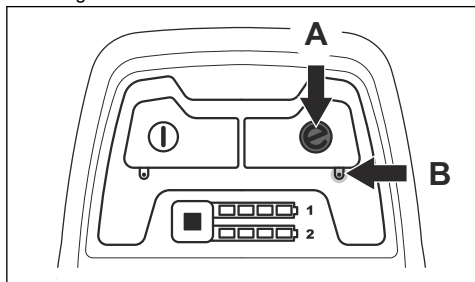
6. Trykk motorbrems håndtaket i retning av styret.



### Slik bruker du SavE-funksjonen

Produktet har en batterisparefunksjon (SavE) som gir lengre driftstid.

1. Trykk på SavE-knappen (A) for å starte funksjonen. Den grønne LED-indikatoren tennes.



2. Trykk på SavE-knappen igjen for å stoppe funksjonen. Den grønne LED-indikatoren (B) slukker.

SavE-funksjonen stopper automatisk hvis bakkeforholdene gjør det nødvendig med høyere effekt. SavE-funksjonen starter automatisk når bakkeforholdene tillater det.

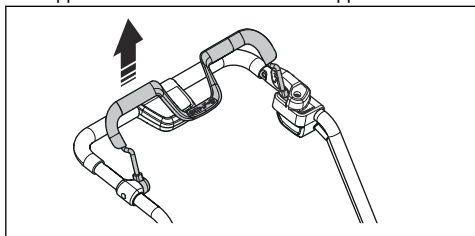
## Høybelastningsfunksjon

Når produktet klipper langt eller vått gress, øker motoren automatisk turtallet. Motoren går tilbake til standardmodus når høy last ikke er nødvendig.

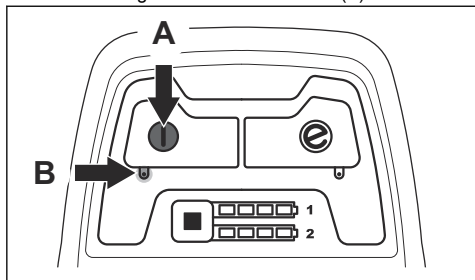
## Slik stopper du produktet

Produktet stopper automatisk hvis du ikke bruker det på ti minutter. Vri alltid tenningsnøkkelen til 0 før du slipper produktet ute av syne.

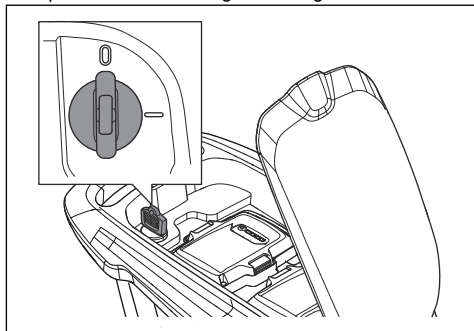
1. Slipp motorbrems håndtaket for å stoppe motoren.



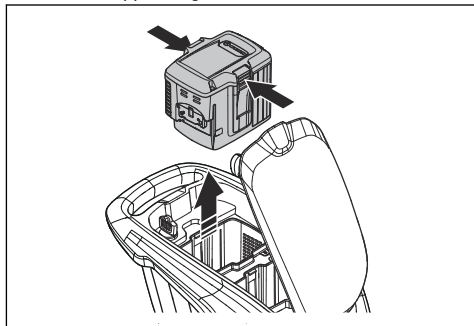
2. Trykk på PÅ/AV-knappen (A) på kontrollpanelet, så slukker den grønne LED-indikatoren (B).



3. Åpne batteridekselet og vri tenningsnøkkelen til 0.



4. Når du skal ta ut batteriet, trykker du på de to utløserknappene og trekker ut batteriet.



5. Lad batteriet hvis nivået er lavt. Du finner mer informasjon i *Slik lader du batteriet på side 389*.

## Slik får du et godt resultat

- Bruk alltid en godt slipt kniv. En sløv kniv gir ujevnt resultat, og gressets klippeoverflate blir gul. En skarp kniv bruker også mindre energi enn en sløv kniv.
- Ikke klipp mer enn 1/3 av lengden på gresset. Klipp først med klippehøyden stilt høyt. Undersøk resultatet, og senk klippehøyden til det aktuelle nivået. Hvis gresset er veldig langt, kjører du sakte og klipper to ganger om nødvendig.
- Klipp i forskjellige retninger hver gang, for å unngå striper i plenen.
- Hold klippedekselet rent. Oppsamling av gress og smuss på innsiden av klippedekselet kan gi et dårligere klipperesultat. Se *Slik rengjør du produktet på side 392*.

# Vedlikehold

## Innledning



**ADVARSEL:** Før du utfører vedlikeholdsarbeid, må du lese og forstå kapittelet om sikkerhet.

For alt vedlikehold og reparasjonsarbeid på produktet er det nødvendig med spesiell opplæring. Vi garanterer fagmessig reparasjon og service. Hvis forhandleren ikke

er et serviceverksted, må du snakke med dem for å få informasjon om nærmeste serviceverksted.

## Vedlikeholdsskjema

Vedlikeholdintervallene er beregnet med utgangspunkt i daglig bruk av produktet. Intervallene kan endres hvis produktet ikke brukes daglig.

For vedlikehold merket med \* kan du se instruksjonene i *Sikkerhetsutstyr på produktet på side 384*.

	Hver bruk	Månedlig	Hver sesong
Utfør en generell inspeksjon.	X		
Rengjør produktet.	X		
Kontroller startspærren*.	X		
Pass på at sikkerhetsutstyret på produktet ikke er defekt*.	X		
Kontroller skjærestyret.	X		
Kontroller klippedekselet*.	X		
Kontroller motorbremsåndtaket*.	X		
Kontroller at PÅ/AV-knappen fungerer på riktig måte og ikke er defekt.	X		
Kontroller batteriet for skader.	X		
Kontroller batteriets ladenivå.	X		
Kontroller at utløserknappene på batteriet fungerer riktig og at batteriet låses fast i produktet.	X		
Undersøk batteriladeren for skader, og sørg for at den kan fungerer på riktig måte.		X	
Undersøk forbindelsene mellom batteriet og produktet. Undersøk også forbindelsen mellom batteriet og batteriladeren.			X

## Slik utfører du en generell inspeksjon

- Kontroller at mutrene og skruene på produktet er trukket til.
- Sørg for at kablene på produktet ikke er i en posisjon der de kan bli skadet.

## Slik rengjør du produktet

- Rengjør plastdeler med en tørr, ren klut.
- Ikke bruk vann til å rengjøre produktet. Vann kan komme inn i batteriet eller motoren og forårsake kortslutning eller skade på produktet.
- Produktet må ikke rengjøres med høytrykksspyler.
- Ikke spyl vann direkte på motoren.
- Bruk en børste for å fjerne løv, gress og smuss.

## Slik rengjør du batteriet og batteriladeren



**ADVARSEL:** Ikke rengjør batteriet eller batteriladeren med vann.

- Kontroller at batteriet og batteriladeren er rene og tørre før du setter batteriet i batteriladeren.
- Rengjør batteriklemmene med trykkløft, eller bruk en myk og tørr klut.
- Rengjør overflatene på batteriet og batteriladeren med en myk og tørr klut.



## Slik kontrollerer du skjærestyret



**ADVARSEL:** Når du skal hindre utilsiktet start, vrir du tenningsnøkkelen til 0, tar ut batteriet og venter i minst fem sekunder.



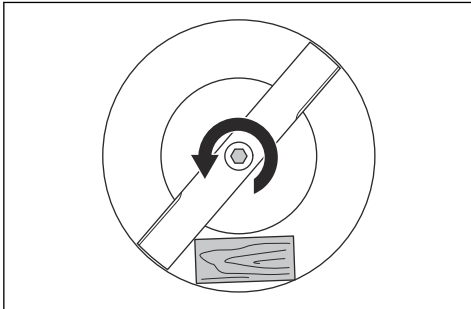
**ADVARSEL:** Bruk vernehansker når du utfører vedlikehold på skjærestyret. Kniven er svært skarp, og det er lett å kutte seg.

1. Kontroller skjærestyret med henblikk på skader og sprekke dannelse. Bytt alltid ut skadet skjærestyr.
2. Sjekk om kniven er skadet eller sløv.

**Merk:** Kniven må balanseres etter at den er slipt. La et servicesenter slipe, skifte og balansere kniven. Hvis du treffer en hindring som fører til at produktet stopper, må du skifte ut den skadde kniven. La serviceverkstedet vurdere om kniven kan slipes eller om den må skiftes ut.

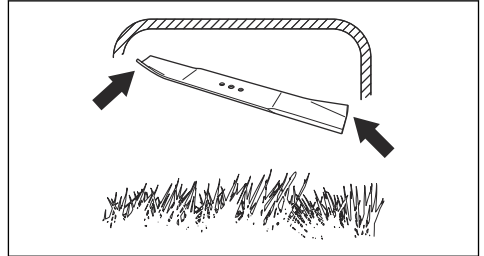
## Slik bytter du kniven

1. Lås kniven med en trekloss.

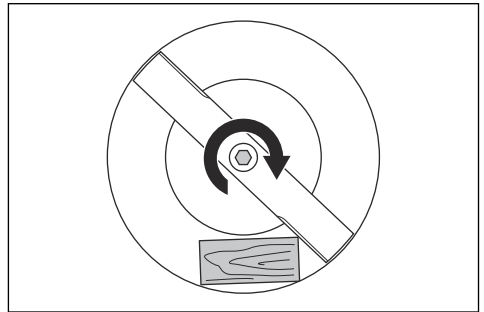


2. Fjern knivbolten.
3. Fjern kniven.
4. Undersøk knivstøtten og knivbolten for å se om det finnes skader.

5. Undersøk motorakselen for å forsikre deg om at den ikke er bøyd.
6. Når du fester den nye kniven, må du peke de vinklede endene av kniven i retning av klippedekselet.



7. Kontroller at kniven er innrettet med midten av motorakselen.
8. Lås kniven med en trekloss. Fest sprengskiven, og trekk til bolten og skiven med et moment på 23–28 Nm.



9. Trekk kniven rundt for hånd for å kontrollere at den roterer fritt.



**ADVARSEL:** Bruk kraftige arbeidshansker. Kniven er svært skarp, og det er lett å kutte seg.

10. Start produktet for å teste kniven. Hvis kniven ikke er riktig tilkoblet, vil produktet vibrere, eller klipperesultatet vil ikke bli bra nok.

## Feilsøking

### Batteri

LED-indikator på batteriet	Årsak	Løsning
Den grønne LED-lampen blinker.	Batterispenningen er lav.	Lad batteriet. Se <i>Slik lader du batteriet på side 389</i> .

LED-indikator på batteriet	Årsak	Løsning
LED-feillampen blinker.	Batteriet er svakt.	Lad batteriet. Se <i>Slik lader du batteriet på side 389</i> .
	Temperaturen i arbeidsmiljøet er for høy eller for lav.	Bruk batteriet i temperaturer mellom –10 og 40 °C.
	Overspenning	Kontroller at strømtilførselen er den samme som er angitt på typeskiltet på produktet.  Fjern batteriet fra batteriladeren. Vent i fem sekunder, og prøv å lade batteriet igjen. Hvis problemet vedvarer, kontakter du et autorisert serviceverksted.
LED-feillampen er tent.	For stor forskjell mellom cellene (1 V).	Ta kontakt med et godkjent serviceverksted.

## Batterilader

LED-indikator på batteriladeren.	Årsak	Løsning
LED-feillampen blinker.	Temperaturen i arbeidsmiljøet er for høy eller for lav.	Bruk batteriladeren i temperaturer mellom 5 og 40 °C.
LED-feillampen er tent.		Ta kontakt med et godkjent serviceverksted.

## Kontrollpanel

Hvis du har andre problemer enn de i dette avsnittet, tar du kontakt med serviceverkstedet.

Tastatur	Feilkode (antall lysblink)	Mulige feil	Mulig handling
Feilindikatoren blinker.	3	Motoren er overbelastet.	Øk klippehøyden. Se <i>Slik regulerer du klippehøyden på side 389</i> .
	5	Motorturtallet faller for mye, og motoren stopper.	
	10	Motorstyringen er for varm.	Stopp motoren, og vent til den er avkjølt.
	2	Kniven er blokkert.	Når du skal hindre utilsiktet start, vrir du tenningsnøkkelen til 0, tar ut batteriet og venter i minst fem sekunder. Pass på at kniven kan rotere fritt. Hvis problemet vedvarer, kontakter du et autorisert serviceverksted.
	9	Batterifeil eller ingen signaler fra batteriet	Sett batteriet inn i produktet på riktig måte, og undersøk batterikontakten. Hvis LED-feilindikatoren på batteriet blinker, kan du se <i>Batteri på side 389</i> .

Tastatur	Feilkode (antall lysblink)	Mulige feil	Mulig handling
Produktet stopper.	8	Batteriet er svakt.	Lad batteriet. Se <i>Slik lader du batteriet på side 389.</i>
	0	Batterikontaktfeil	Undersøk batterikontakten.

## Transport, oppbevaring og avhending

### Innledning



**ADVARSEL:** Når du skal hindre utilsiktet start ved transport, vrir du tenningsnøkkelen til 0, tar ut batteriet og venter i minst fem sekunder.

### Transport

- Loven om farlige varer gjelder de medfølgende Li-ion-batteriene.
- For kommersiell transport må spesielle krav på emballasje og etiketter følges.
- Sørg for at du overholder lovene om farlig materiale når du klargjør produktet for transport. Lokale forskrifter kan gjelde.
- Ta alltid ut batteriet før transport.
- Sett teip på batterikontaktene, og forsikre deg om at batteriet ikke kan bevege seg rundt under transport.
- Sikre produktet under transport.

### Lagring

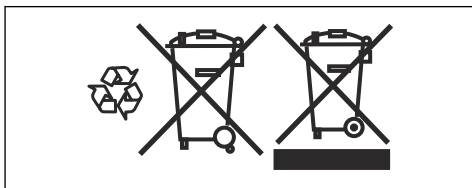
- Ta alltid ut batteriet når du skal oppbevare produktet.
- For å hindre ulykker må du sikre at batteriet ikke er koblet til produktet under oppbevaring.
- Oppbevar batteriladeren på et innelukket og tørt sted.
- Hold batteriet og laderen på et tørt sted der det ikke er fukt eller frost.
- Koble batteriet fra batteriladeren under oppbevaring.
- Batteriet må ikke oppbevares der det kan forekomme statisk elektrisitet. Ikke oppbevar batteriet i en metallkasse.

- Oppbevar batteriet et sted temperaturen er mellom 5 og 25 °C og borte fra sollys.
- Oppbevar batteriladeren et sted temperaturen er mellom 5 og 45 °C og borte fra sollys.
- Kontroller at batteriet er ladet til 30–50 % før du setter det til oppbevaring i lange perioder.
- Oppbevar produktet, batteriet og batteriladeren i et låsbart område, utilgjengelige for barn og uautoriserte personer.
- Rengjør produktet og utfør en fullstendig service før du setter det til oppbevaring i lang tid.

### Avhending

Symbolene på produktet eller produktemballasjen indikerer at produktet ikke skal håndteres som husholdningsavfall. Produktet skal innleveres til et gjenvinningsanlegg som gjenvinner elektrisk og elektronisk utstyr.

Ved å sikre at produktet håndteres på riktig måte, kan du bidra til å motvirke potensielt negative virkninger på miljø og mennesker, som kan oppstå som følge av at produktet ikke avfallshåndteres på riktig måte. Kontakt det lokale renovasjonsvesenet eller forhandleren der du kjøpte produktet hvis du ønsker mer detaljert informasjon.



## Tekniske data

	LB 146i
<b>Klippemotor</b>	
Motorstype	BLDC (børsteløs) 36 V
Motorhastighet – SavE, turtall	2600

	<b>LB 146i</b>
Motorhastighet – nominell, turtall	3000
Motorhastighet – høybelastning, turtall	3500
Motoreffekt – maks. kW	1,05
Motoreffekt – nominell, kW	0,9
Overbelastningsgrense (gjeldende grense: 900W-27A)	27 (+/-) 1A
<b>Vekt</b>	
Vekt uten batteri, kg	16,9
<b>Batteri</b> <sup>69</sup>	
Batteritype	Husqvarna-batteriserien
<b>Batteriets driftstid</b>	
Batteriets driftstid, min., (frikjøring) med SavE aktivert, med ett Husqvarna 5,2 Ah-batteri (BLi200)	77
Batteriets driftstid, min., (frikjøring) med standardmodus aktivert, med ett Husqvarna 5,2 Ah-batteri (BLi200)	45
<b>Støyutslipp</b> <sup>70</sup>	
Lydeffektnivå, målt dB (A)	90
Lydeffektnivå, garantert L <sub>WA</sub> dB (A)	91
<b>Lydnivåer</b> <sup>71</sup>	
Lydtryknivå ved brukerens øre, dB (A)	79
<b>Vibrasjonsnivåer</b> <sup>72</sup>	
Styre, m/s <sup>2</sup>	0,9
<b>Klippeutstyr</b>	
Klippehøyde, mm	35–70 mm
Klippebredde, cm	46
Blad	BioClip
Artikkelnummer	5947022-10

Godkjente batterier	Type	Batterikapasitet, Ah	Spenning, V	Vekt, lb/kg
BLi20	Litium-ion	4,0	36	2,6/1,2

<sup>69</sup> For det beste resultatet og den beste ytelsen anbefales Husqvarna-batteriet BLi200.

<sup>70</sup> Utslipp av støy til omgivelsene målt som lydeffekt (L<sub>WA</sub>) samsvarer med EF-direktiv 2000/14/EF.

<sup>71</sup> Rapporterte data for ekvivalent lydtrykksnivå for maskinen har en typisk statistisk spredning (standardavvik) på 1,2 dB (A).

<sup>72</sup> Rapporterte data for vibrasjonsnivå har en typisk statistisk spredning (standard avvik) på 0,2 m/s<sup>2</sup>. Vibrasjonsstandard EN 60335-2-77:2017 kapittel 20.105

Godkjente batterier	Type	Batterikapasitet, Ah	Spenning, V	Vekt, lb/kg
BLi200	Litium-ion	5,2	36	2,8/1,3
BLi300	Litium-ion	9,4	36	4,2/1,9

Godkjente ladere for de spesifiserte batteriene, BLi	Inngangsspenning, V	Frekvens, Hz	Effekt, W
QC80	100–240	50–60	100
QC80F	10-15	Ikke tilgjengelig	95
QC330	100–240	50–60	330
QC500	100–240	50–60	500
40-C80	100–240	50–60	68,8

### EF-samsvarserklæring

**Husqvarna AB**, SE-561 82 Huskvarna, Sverige, tlf.: + 46 36 146500, erklærer at **gressklipperen Husqvarna LB 146i** fra 2021 og fremover samsvarer med kravene i følgende RÅDSDIREKTIV:

- fra 8. juni 2011 på «begrense bruken av bestemte farlige stoffer» **2011/65/EU**
- fra 17. mai 2006, «angående maskiner» **2006/42/EF**
- fra 26. februar 2014 «angående elektromagnetisk kompatibilitet» **2014/30/EU**
- fra 8. mai 2000 «angående utslipp av støy til omgivelsene» **2000/14/EF**

For informasjon som gjelder støyutslipp, kan du se avsnittet Tekniske data.

Følgende standarder er blitt brukt:

**EN 60335-1:2012+A11:2014+A13:2017, EN 60335-2-77:2010, EN 62233:2008, EN 55014-1:2017+A11:2020, EN 55014-2:2015, EN IEC 63000:2018**

Hvis ikke annet er angitt, er de ovenfor oppgitte standarder de nyeste publiserte versjonene.

Kontrollorgan: **0404, RISE SMP Svensk Maskinprovning AB, Box 7035, SE-750 07 Uppsala** Har utført samsvarsvurdering i henhold til Tillegg VI i direktivet 2000/14/EF.

Huskvarna, 2021-10-30



Claes Losdal, Development Manager/hageprodukter  
(autorisert representant for Husqvarna AB og ansvarlig for teknisk dokumentasjon)

# SPIS TREŚCI

Wstęp.....	399	Rozwiązywanie problemów.....	417
Bezpieczeństwo.....	402	Transport, przechowywanie i utylizacja.....	418
Montaż.....	410	Dane techniczne.....	419
Przeznaczenie.....	411	Deklaracja zgodności WE.....	421
Przegląd.....	415		

## Wstęp

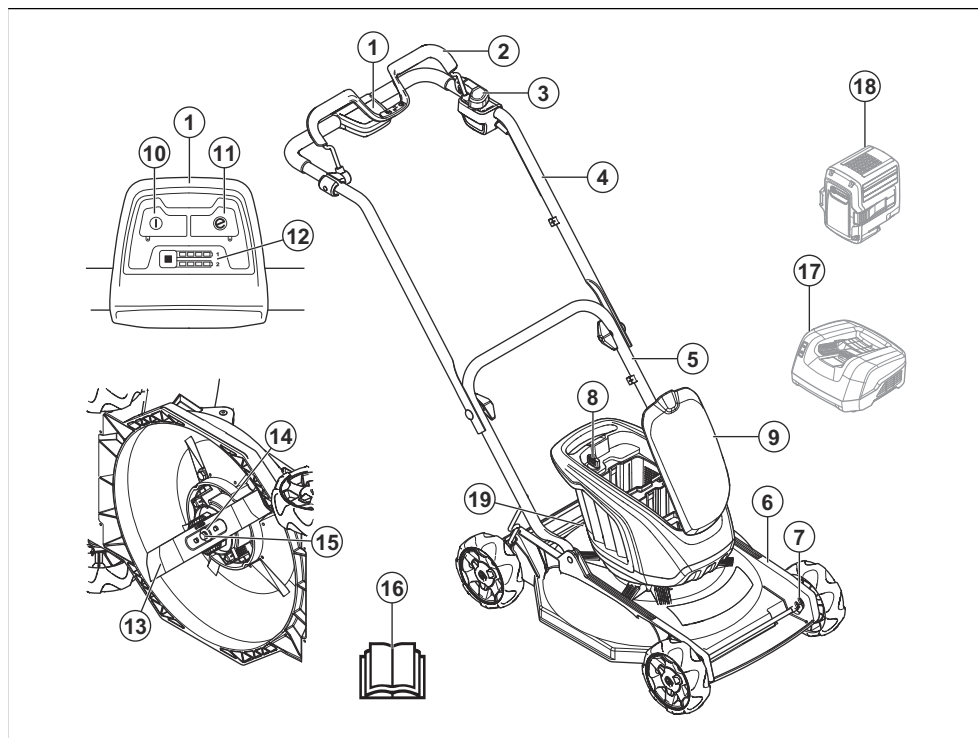
### Opis produktu

Produkt jest rotacyjną kosiarką obsługiwaną przez operatora pieszego, wyposażoną w funkcję BioClip, która umożliwia cięcie trawy na nawóz.

### Przeznaczenie

Produkt służy fo cięcia trawy. Nie używać produktu do innych zadań.

### Przegląd produktu



- |                                 |   |
|---------------------------------|---|
| 1. Panel sterowania             | 8. Kluczyk bezpieczeństwa                                   |
| 2. Uchwyt hamulca silnika       | 9. Pokrywa akumulatora                                      |
| 3. Opóźniacz rozruchu           | 10. Przycisk wł./wyt.                                       |
| 4. Uchwyt górny                 | 11. Przycisk SavE   |
| 5. Uchwyt dolny                 | 12. Wskaźnik naładowania akumulatora i przycisk akumulatora |
| 6. Osłona modułu tnącego        | 13. Pręt  |
| 7. Regulator wysokości koszenia |   |

14. Podkładka sprężynowa
15. Śruba ostrza
16. Instrukcja obsługi
17. Ładowarka akumulatora (akcesorium)
18. Akumulator (akcesorium)
19. Rating plate with QR code

## Symbole znajdujące się na produkcie



Ostrzeżenie:  
Następstwem  
nieuważnej lub  
nieprawidłowej obsługi  
mogą być obrażenia lub  
śmierć użytkownika  
bądź innych osób.



Przed przystąpieniem  
do pracy należy  
dokładnie i ze  
rozumieniem zapoznać  
się z treścią niniejszej  
instrukcji obsługi.



Ludzie i zwierzęta  
powinny przebywać w  
bezpiecznej odległości  
od obszaru roboczego.



Należy uważać na  
odrzucone i  
rykoszetujące  
przedmioty.



Ostrzeżenie: Ręce i  
stopy należy trzymać z  
daleka od obracającego  
się noża.



Ostrzeżenie: Nie zbliżać  
dłoni i stóp do części  
obrotowych.



Przed rozpoczęciem  
czynności naprawczych  
lub konserwacyjnych  
należy wyjąć kluczyk  
bezpieczeństwa.



Chronić przed  
deszczem.



Tego produktu ani  
opakowania nie można  
traktować jak odpadów  
domowych. Należy  
poddawać je  
recyklingowi w  
zatwierdzonym punkcie  
zbiórki sprzętu  
elektrycznego i  
elektronicznego.



Produkt jest zgodny z odpowiednimi  
Dyrektywami WE.



Produkt jest zgodny z  
odpowiednimi  
dyrektywami  
Euroazjatyckiej Unii  
Celnej.



Produkt jest zgodny z  
odpowiednimi  
dyrektywami  
UkrSEPRO.





Produkt jest zgodny z odpowiednimi dyrektywami RCM. Dotyczy wyłącznie AU/NZ



Emisja hałasu zgodna z Dyrektywą Wspólnoty Europejskiej. Hałas emitowany przez urządzenie jest określony w rozdziale „Dane techniczne” oraz na tabliczce znamionowej.

**IPX1** IPX1 — zabezpieczenie przed przeciekaniem



Procedura uruchamiania dla modelu LC 141VLi/ LC 141Li: nacisnąć przycisk WŁ./WYŁ., poluzować opóźniacz rozruchu i popchnąć dźwignię hamulca silnika w dół.



Zwolnić uchwyt hamulca silnika, aby zatrzymać.

**Uwaga:** Pozostałe symbole/naklejki samoprzylepne umieszczone na produkcie dotyczą wymogów związanych z certyfikatami w niektórych krajach.

**Etykieta znajdująca się na produkcie**



NIEBEZPIECZEŃSTWO – nie zbliżać rąk ani stóp.

## ODPOWIEDZIALNOŚĆ ZA PRODUKT

Zgodnie z przepisami dotyczącymi odpowiedzialności za produkt nie ponosimy odpowiedzialności za szkody spowodowane przez nasz produkt, jeśli:

- produkt jest nieprawidłowo naprawiany.
- produkt jest naprawiany przy użyciu części nie pochodzących od producenta lub niezatwierdzonych przez producenta.
- produkt jest wyposażony w akcesoria nie pochodzące od producenta lub niezatwierdzone przez producenta.
- produkt nie jest naprawiany w autoryzowanym centrum

serwisowym lub przez autoryzowaną placówkę.

---

## Bezpieczeństwo

---

### Definicje dotyczące bezpieczeństwa

Ostrzeżenia, uwagi i informacje są używane do zwrócenia uwagi na szczególnie ważne sekcje instrukcji obsługi.



**OSTRZEŻENIE:** Stosuje się, gdy istnieje ryzyko poważnych obrażeń lub śmierci operatora albo osób postronnych w wyniku nieprzestrzegania instrukcji obsługi.



**UWAGA:** Stosuje się, gdy istnieje ryzyko uszkodzenia produktu, innych materiałów lub otoczenia w wyniku nieprzestrzegania instrukcji obsługi.

**Uwaga:** stosuje się, aby przekazać więcej informacji, które są przydatne w danej sytuacji.

### Ogólne zasady bezpieczeństwa



**OSTRZEŻENIE:** Przed rozpoczęciem użytkowania produktu przeczytać następujące ostrzeżenia.

- Produkt ten może być niebezpieczny w przypadku jego nieprawidłowego użytkowania i niezachowania ostrożności. Nieprzestrzeganie instrukcji bezpieczeństwa może spowodować obrażenia ciała lub śmierć.
- Podczas pracy urządzenie wytwarza pole elektromagnetyczne. W pewnych okolicznościach pole to może zakłócać pracę aktywnych lub pasywnych implantów medycznych. Przed użyciem tego produktu osoby z wszczepionym implantem medycznym powinny skonsultować się z lekarzem i producentem implantu w celu ograniczenia ryzyka poważnych lub śmiertelnych obrażeń.

- Zawsze zachowywać ostrożność i kierować się zdrowym rozsądkiem. Jeśli nie ma pewności, w jaki sposób należy obsługiwać ten produkt w konkretnej sytuacji, przed wznowieniem pracy należy porozmawiać z dealerem Husqvarna.
- Pamiętać o tym, że operator ponosi odpowiedzialność za wypadki z udziałem innych ludzi i ich własności.
- Utrzymywać produkt czystym. Upewnić się, że można łatwo odczytać oznaczenia i naklejki.
- Nie wolno pozwalać dzieciom ani osobom, które nie zapoznały się z niniejszymi instrukcjami obsługi, na obsługiwanie urządzenia. Przepisy prawa lokalnego mogą narzucić ograniczenia dotyczące wieku operatora urządzenia
- Należy zawsze kontrolować osobę o ograniczonych możliwościach fizycznych lub umysłowych podczas używania produktu. Zawsze musi jej towarzyszyć odpowiedzialna osoba dorosła.
- Osoba, która jest zmęczona, chora lub pod wpływem alkoholu, narkotyków lub

lekarstw nie może obsługiwać urządzenia Stany te mają negatywny wpływ na wzrok, uwagę, koordynację i osąd.

- Nie stosować uszkodzonego produktu.
- Nie wolno dokonywać w maszynie zmian stanowiących modyfikację jej oryginalnej wersji. Nie używać maszyny, jeżeli istnieje podejrzenie, że ktoś inny wprowadził w niej zmiany.

## Bezpieczeństwo miejsca pracy



**OSTRZEŻENIE:** Przed rozpoczęciem użytkowania produktu przeczytać następujące ostrzeżenia.

- Usunąć obiekty, takie jak gałęzie, gałązki i kamienie z obszaru roboczego przed rozpoczęciem korzystania z maszyny.
- Obiekty, które zderzają się z elementami tnącymi, mogą zostać wyrzucone i spowodować obrażenia osób i uszkodzenia przedmiotów. Osoby znajdujące się w pobliżu i zwierzęta powinny zachować bezpieczną odległość od maszyny.

- Nigdy nie należy używać produktu w niesprzyjających warunkach np. we mgle, w deszczu, przy silnym wietrze, na silnym mrozie, gdy występuje ryzyko wyładowań atmosferycznych. Korzystanie z maszyny w niesprzyjających warunkach lub w wilgotnych czy mokrych lokalizacjach jest męczące. Niesprzyjające warunki pogodowe mogą stworzyć niebezpieczne warunki, takie jak śliskie powierzchnie.
- Należy uważać na osoby, przedmioty i sytuacje, które mogą uniemożliwić bezpieczną obsługę maszyny.
- Należy zwracać uwagę na przeszkody, takie jak korzenie, kamienie, gałązki, dziury i doły. Wysoka trawa może zasłaniać przeszkody.
- Koszenie trawy na pochyłościach może być niebezpieczne. Nie kosić trawy na bardzo stromych zboczach. Nie należy używać maszyny na pochyłościach terenu przekraczających 15°.
- Zachować szczególną ostrożność podczas zmiany kierunku jazdy na zboczach. Należy używać maszyny, prowadząc ją w poprzek

zbocza. Nie należy jeździć w górę i w dół zbocza.

- Zachować ostrożność podczas zbliżania się do narożników lub innych obiektów, które mogą ograniczać widoczność.

## Pracuj bezpiecznie

---



**OSTRZEŻENIE:** Przed rozpoczęciem użytkowania produktu przeczytać następujące ostrzeżenia.

---

- Używać maszyny wyłącznie do przycinania trawników. Nie jest dozwolone wykorzystanie maszyny do innych zadań.
- Stosować środki ochrony osobistej. Patrz *Środki ochrony osobistej na stronie 406*.
- Należy zawsze wiedzieć, jak szybko wyłączyć silnik w razie awarii.
- Nie używać urządzenia podczas deszczu ani w wilgotnym otoczeniu. Dostanie się wody do wnętrza urządzenia zwiększa ryzyko porażenia prądem.
- Nie należy obsługiwać maszyny, jeśli ostrze oraz wszystkie pokrywy nie zostały prawidłowo zamocowane. Nieprawidłowo zamocowane

- ostrze może się obłuzować i spowodować obrażenia.
- Należy upewnić się, że ostrze nie uderza w żadne obiekty, takie jak kamienie czy korzenie. Może to spowodować uszkodzenie ostrza oraz wygięcie wału silnika. Zgięta oś powoduje silne wibracje oraz bardzo wysokie zagrożenie obłuzowaniem ostrza.
  - Jeśli ostrze uderzy w jakikolwiek obiekt lub jeśli wystąpią wibracje, należy natychmiast wyłączyć maszynę. Wyłącz silnik, przekręć kluczyk bezpieczeństwa do położenia „0” i wyjmij akumulator. Należy sprawdzić maszynę pod kątem uszkodzeń. Należy naprawić uszkodzenia lub zlecić przeprowadzenie naprawy przez autoryzowany punkt serwisowy.
  - Nigdy nie należy na stałe przymocowywać uchwytu hamulca silnikowego do uchwytu podczas pracy silnika.
  - Maszynę należy ustawić na stabilnej, płaskiej powierzchni i ją uruchomić. Należy upewnić się, że ostrza nie uderzają w podłoże lub inne przedmioty.
  - Podczas obsługi maszyny zawsze należy stać za nią.
  - Podczas obsługi maszyny należy upewnić się, że wszystkie koła dotykają podłoża oraz trzymać na kierownicy obie dłonie. Ręce i stopy należy trzymać z dala od obracających się noży.
  - Nie przechylać produktu, kiedy uruchomiony jest silnik.
  - Należy zachować ostrożność podczas ciągnięcia maszyny do tyłu.
  - Nigdy nie należy podnosić maszyny przy włączonym silniku. Jeśli konieczne jest podniesienie urządzenia, należy najpierw wyłączyć silnik, przekręcić kluczyk bezpieczeństwa do położenia „0” i wyjąć akumulator.
  - Nie należy poruszać się do tyłu podczas obsługi maszyny.
  - Podczas poruszania się po obszarach bez trawy, na przykład po zwirowych, kamiennych lub asfaltowych ścieżkach, należy wyłączyć silnik.
  - Nie należy biegać z maszyną przy włączonym silniku. Podczas obsługi maszyny zawsze należy poruszać się chodem.

- Przed zmianą wysokości koszenia należy wyłączyć silnik. Nigdy nie należy wykonywać regulacji przy uruchomionym silniku.
- Nigdy nie należy pozostawiać maszyny poza zasięgiem wzroku przy włączonym silniku. Należy wyłączyć silnik i upewnić się, że narzędzia tnące nie obracają się.

### Instrukcje bezpieczeństwa dotyczące obsługi

### Środki ochrony osobistej



**OSTRZEŻENIE:** Przed rozpoczęciem użytkowania produktu przeczytać następujące ostrzeżenia.

- Środki ochrony osobistej nie eliminują całkowicie ryzyka odniesienia obrażeń, natomiast ograniczają ich rozmiar w razie zaistnienia wypadku. Skorzystać z pomocy dealera przy wyborze odpowiedniego sprzętu.
- Należy używać mocnego, przeciwpoślizgowego obuwia ochronnego lub obuwia roboczego. Nie należy używać otwartego obuwia lub chodzić boso.

- Stosować wytrzymałe, długie spodnie.
- W razie potrzeby, na przykład podczas mocowania, badania czy czyszczenia narzędzi tnących, stosować rękawice ochronne.

### Zespoły zabezpieczające na osprzęcie



**OSTRZEŻENIE:** Przed rozpoczęciem użytkowania produktu przeczytać następujące ostrzeżenia.

- Nie należy używać maszyny z uszkodzonymi urządzeniami zabezpieczającymi.
- Regularnie przeprowadzać kontrole urządzeń zabezpieczających. Jeśli urządzenia zabezpieczające są uszkodzone, skontaktować się z warsztatem obsługi technicznej Husqvarna.

### Sprawdzanie osłony modułu tnącego

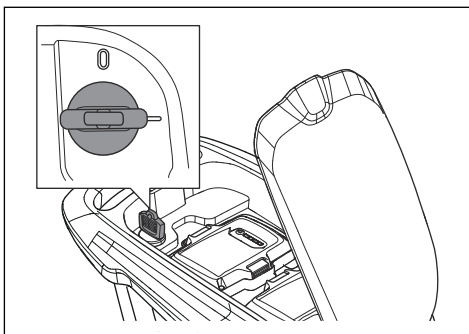
Osłona modułu tnącego ogranicza drgania urządzenia i obniża ryzyko odniesienia obrażeń od ostrza.

- Zbadać osłonę modułu tnącego, aby upewnić się, że nie nosi ona znamion uszkodzenia, takich jak pęknięcia.

### Kluczyk bezpieczeństwa

Kluczyk bezpieczeństwa znajduje się pod pokrywą akumulatora. Kluczyk bezpieczeństwa służy do podłączenia akumulatora, który zasila silnik.

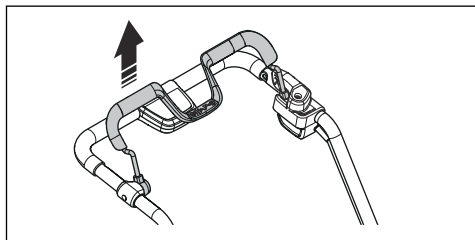
- Uruchomić i wyłączyć silnik, aby przeprowadzić kontrolę kluczyka bezpieczeństwa.
- Jeżeli kluczyk bezpieczeństwa działa prawidłowo, silnik uruchomi się tylko po przekręceniu kluczyka w położenie 1.



## Uchwyt hamulca silnika

Uchwyt hamulca silnika zatrzymuje silnik. Po zwolnieniu uchwytu hamulca silnika następuje wyłączenie silnika.

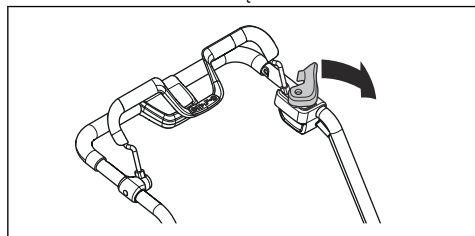
Aby przeprowadzić kontrolę hamulca silnika, należy uruchomić silnik, a następnie zwolnić uchwyt hamulca silnika. Jeśli silnik nie wyłączy się w czasie 3 sekund, autoryzowany punkt serwisowy Husqvarna powinien wyregulować hamulec silnika.



## Sprawdzanie zabezpieczenia przed niepożądanym uruchomieniem

Skontrolować zabezpieczenie przed niepożądanym uruchomieniem urządzenia, aby upewnić się, że zapobiega ono uruchomieniu silnika.

1. Pchnąć dźwignię hamulca silnika w stronę drążka sterującego. Zabezpieczenie przed niepożądanym uruchomieniem urządzenia zatrzymuje ruch.
2. Popchnąć zabezpieczenie przed niepożądanym uruchomieniem na zewnątrz.



3. Zwolnić zabezpieczenie przed niepożądanym uruchomieniem urządzenia, aby upewnić się, że powróci do swojego położenia wyjściowego.

## Zasady bezpieczeństwa związane z akumulatorem



**OSTRZEŻENIE:** Przed rozpoczęciem użytkowania produktu przeczytać następujące ostrzeżenia.

- Używać akumulatorów Husqvarna wyłącznie do zasilania powiązanych produktów Husqvarna. Aby uniknąć obrażeń, nie należy używać akumulatora jako źródła zasilania innych produktów.
- Nie korzystać z baterii jednorazowego użytku.
- Ryzyko porażenia prądem. Nie przykładać zacisków akumulatora do kluczy, monet, śrub lub innych metalowych przedmiotów. Może to spowodować zwarcie akumulatora.
- Nie wkładać żadnych przedmiotów do szczelin powietrznych akumulatora.
- Chronić akumulator przed bezpośrednim działaniem promieni słonecznych, wysoką temperaturą i otwartym płomieniem. Akumulator może wybuchnąć i spowodować oparzenia i/lub oparzenia chemiczne.
- Akumulator należy chronić przed deszczem i wodą.
- Akumulator należy chronić przed działaniem mikrofal i wysokiego ciśnienia.
- Nie próbować rozbierać ani rozbijać akumulatora.

- Jeśli doszło do wycieku z akumulatora, unikać kontaktu cieczy ze skórą i oczami. W przypadku dotknięcia cieczy przemyć skórę dużą ilością wody i zgłosić się do lekarza.
- Akumulator można użytkować w zakresie temperatur od -10°C do 40°C.
- Do czyszczenia akumulatora ani ładowarki nie należy używać wody. Patrz *Czyszczenie akumulatora i ładowarki na stronie 415.*
- Nie należy używać wadliwego ani uszkodzonego akumulatora.
- Przechowywać akumulatory z dala od metalowych przedmiotów, takich jak gwoździe, monety czy biżuteria.

## Zasady bezpieczeństwa w czasie obsługi ładowarki



**OSTRZEŻENIE:** Przed rozpoczęciem użytkowania produktu przeczytać następujące ostrzeżenia.

- Używać ładowarki QC jedynie do ładowania akumulatorów wymiennych Husqvarna.
- Istnieje ryzyko porażenie prądem i zwarcia. Nie wkładać żadnych przedmiotów do szczelin wentylacyjnych ładowarki. Nie należy podejmować prób rozmontowania ładowarki. Nie zwierać końcówek ładowarki metalowymi przedmiotami. Należy korzystać z zatwierdzonego gniazda zasilania.
- Niniejszy produkt podczas pracy wytwarza pole elektromagnetyczne. W pewnych okolicznościach pole to może zakłócać pracę aktywnych lub pasywnych implantów medycznych. Przed użyciem tego produktu osoby z wszczepionym implantem medycznym powinny skonsultować się z lekarzem i producentem implantu w celu ograniczenia ryzyka poważnych lub śmiertelnych obrażeń.
- Należy regularnie sprawdzać, czy przewód zasilający ładowarki do akumulatora nie jest uszkodzony i popękany.
- Nie podnosić ładowarki do akumulatora za przewód zasilający. Aby odłączyć ładowarkę do akumulatora od gniazda, wyciągnąć wtyczkę. Nie ciągnąć z przewód.
- Uważać, aby przewód zasilający i przedłużacze nie



stykały się z wodą, olejem ani nie dotykały ostrych krawędzi. Uważać także, aby przewód nie został zakleszczony w drzwiach, furtkach, płotach itp. Może to spowodować, że ładowarka znajdzie się pod napięciem.

- Do czyszczenia ładowarki nie należy używać wody.
- Ładowarka do akumulatora może być używana przez dzieci, które przekroczyły 8 rok życia, oraz przez osoby o ograniczonych zdolnościach fizycznych, sensorycznych bądź umysłowych lub nie posiadające odpowiedniego doświadczenia i wiedzy, jeśli są one pod nadzorem lub zostały poinstruowane w zakresie bezpiecznego użytkowania ładowarki i rozumieją wiążące się z nią zagrożenia. Dzieci nie mogą bawić się ładowarką do akumulatora. Dzieci nie mogą bez nadzoru czyścić urządzenia ani przeprowadzać jego konserwacji.
- Nie należy ładować akumulatorów nieprzeznaczonych do ładowania.
- Nie używać ładowarki do akumulatora w pobliżu łatwopalnych materiałów lub

materiałów, które mogą powodować korozję. Ładowarki nie należy przykrywać. W razie zauważenia dymu lub ognia należy odłączyć ładowarkę od źródła zasilania.

- Nie należy używać wadliwej lub uszkodzonej ładowarki do akumulatora.
- Należy ładować akumulator wyłącznie wewnątrz budynku, w pomieszczeniu z dobrym przepływem powietrza i z dala od światła słonecznego. Nie ładować akumulatora w wilgotnym otoczeniu.

### Instrukcje bezpieczeństwa dotyczące konserwacji

---



**OSTRZEŻENIE:** Przed rozpoczęciem użytkowania produktu przeczytać następujące ostrzeżenia.

---

- Aby zapobiec przypadkowemu włączeniu w trakcie prac konserwacyjnych, należy przekręcić kluczyk bezpieczeństwa w położenie „0” i wyjąć akumulator. Przed rozpoczęciem prac konserwacyjnych odczekać co najmniej 5 s.

- Prace konserwacyjne należy wykonywać w prawidłowy sposób, aby zwiększyć żywotność produktu i zmniejszyć ryzyko wypadków. Wykonanie profesjonalnych napraw należy zlecić autoryzowanemu punktowi serwisowemu. Więcej informacji można uzyskać w najbliższym punkcie serwisowym.
- Należy wykonywać jedynie prace konserwacyjne opisane w instrukcji obsługi. Większe i bardziej skomplikowane prace muszą być wykonywane w autoryzowanym punkcie serwisowym.
- Podczas obsługi osprzętu tnącego należy zakładać specjalistyczne rękawice. Ostrze jest bardzo ostre i może łatwo doprowadzić do skaleczenia.
- Aby uzyskać jak najlepsze efekty i zapewnić bezpieczeństwo, należy utrzymywać krawędzie tnące naostrzone i czyste.
- Regularnie oddawać urządzenie do autoryzowanego punktu serwisowego w celu jego kontroli i dokonania koniecznych regulacji lub napraw.
- Wymienić uszkodzone, zużyte lub zniszczone części.
- Należy przestrzegać instrukcji wymiany akcesoriów. Używać wyłącznie akcesoriów od producenta urządzenia.
- Gdy urządzenie nie jest użytkowane, należy przechowywać produkt, akumulator i ładowarkę z dala od siebie, w suchym i zamkniętym pomieszczeniu. Upewnić się, że dzieci ani osoby niepowołane nie mogą uzyskać dostępu do produktu, akumulatora ani ładowarki.

---

## Montaż

---

### Wstęp



**OSTRZEŻENIE:** Przed montażem produktu należy przeczytać rozdział dotyczący bezpieczeństwa.



**OSTRZEŻENIE:** Aby uniknąć niezamierzonego uruchomienia w trakcie montażu, należy przekręcić kluczyk zabezpieczający w położenie „0”, wyjąć akumulator i odczekać przynajmniej 5 s.

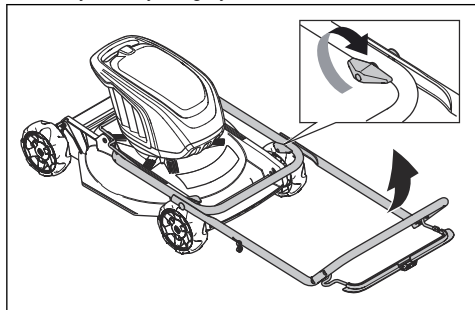
### Montaż uchwytu



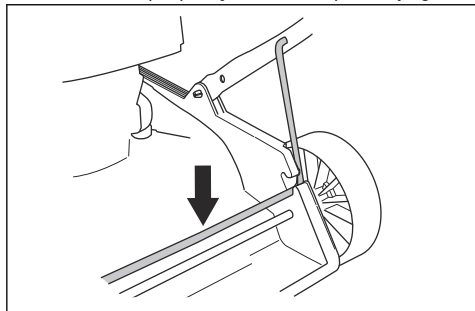
**UWAGA:** Nie ciągnij za przewody.

1. Align the holes in the upper handle with the holes in the lower handle.

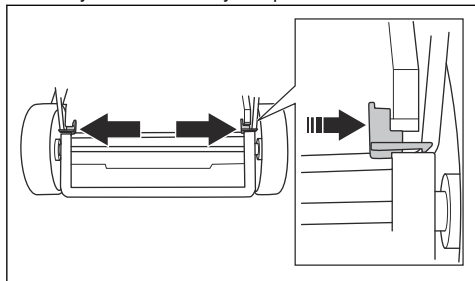
2. Dokręcić do końca pokrętle po prawej i lewej stronie i złożyć uchwyt do góry.



3. Zamontować podpórkę w rowku zespołu tnącego.



4. Zamocować 2 ograniczniki, które blokują podpórkę i uchwyt. Push them fully into position.



**Uwaga:** Dostępne są dwa ograniczniki — jeden z oznaczeniem H i jeden z oznaczeniem V.

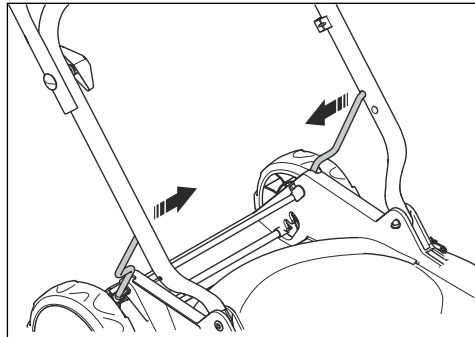
Ogranicznik z oznaczeniem H należy umieścić po prawej stronie, a ogranicznik z oznaczeniem V po lewej.



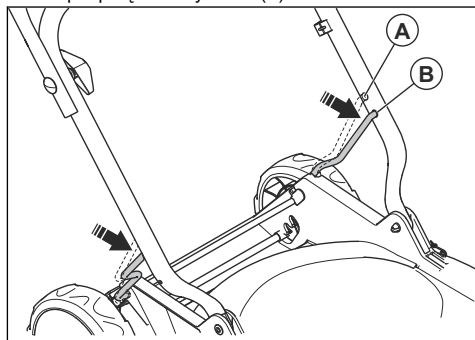
**UWAGA:** Nie używać urządzenia, jeśli nie zamontowano 2 ograniczników.

## Regulacja wysokości uchwytu

1. Wymontować podporę uchwytu z dolnej jego części.



- a) Aby zmniejszyć wysokość uchwytu, włożyć podporę w górny otwór (A).  
b) Aby zwiększyć wysokość uchwytu, włożyć podporę w dolny otwór (B).



## Przeznaczenie

### Wstęp



**OSTRZEŻENIE:** Przed użyciem urządzenia należy przeczytać ze zrozumieniem rozdział poświęcony bezpieczeństwu.

### Husqvarna Connect

Husqvarna Connect to darmowa aplikacja na urządzenia mobilne. Husqvarna ConnectHusqvarna

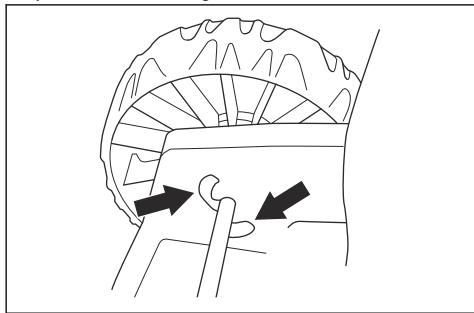
- Extended product information.
- Information about, and help with, product parts and servicing.

## Rozpoczęcie użytkowania Husqvarna Connect

1. Pobierz aplikację Husqvarna Connect na swoim urządzeniu mobilnym.
2. Zarejestruj się w aplikacji Husqvarna Connect.
3. Wykonaj instrukcje wyświetlane w aplikacji Husqvarna Connect, aby nawiązać połączenie i zarejestrować produkt.

## Regulacja wysokości koszenia

- Wyciągnąć wał i przesunąć go w odpowiednie położenie dla każdego z 4 kół.



**UWAGA:** Nie należy ustawiać zbyt niskiej wysokości koszenia. Ostrza mogą uderzyć w podłoże, jeśli powierzchnia trawnika nie jest równa.

## Akumulator

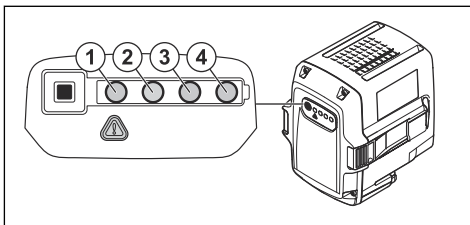


**OSTRZEŻENIE:** Przed rozpoczęciem korzystania z akumulatora należy przeczytać ze zrozumieniem rozdział poświęcony bezpieczeństwu. Należy również przeczytać uważnie instrukcję obsługi dołączonej do akumulatora i ładowarki.

## Stan akumulatora

Na wyświetlaczu pokazywane są informacje o stanie naładowania akumulatora i sygnalizowane ewentualne problemy. Stan naładowania akumulatora jest wyświetlany przez 5 s po wyłączeniu urządzenia lub po naciśnięciu przycisku wskaźnika akumulatora. W przypadku wystąpienia błędu włącza się symbol

ostrzegawczy na akumulatorze. Patrz *Akumulator na stronie 417*.



Diody LED	Stan akumulatora
Świecą się wszystkie diody LED.	W pełni naładowany (75–100%).
Świecą się diody LED 1, LED 2, LED 3.	Poziom naładowania akumulatora 50–75%.
Świecą się diody LED 1, LED 2.	Poziom naładowania akumulatora 25–50%.
Świeci się dioda LED 1.	Poziom naładowania akumulatora: 0–25%.
Miga dioda LED 1.	Akumulator rozładowany. Naładuj akumulator.

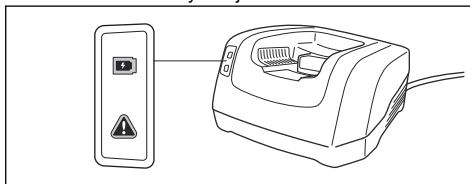
## Ładowanie akumulatora

Przed pierwszym użyciem należy naładować akumulator. W chwili dostawy do klienta akumulator jest naładowany jedynie w 30%.

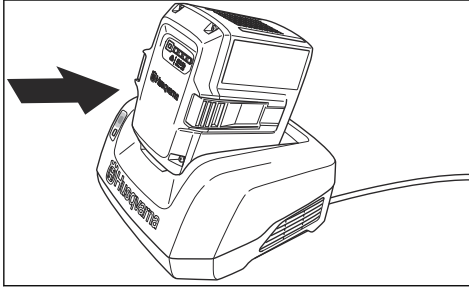
**Uwaga:** Ładowarka do akumulatora musi zostać podłączona do napięcia i częstotliwości wskazanych na tabliczce znamionowej.

Akumulator nie ładuje się, gdy temperatura akumulatora przekracza 50°C. Przed rozpoczęciem ładowania ładowarka zmniejsza temperaturę akumulatora.

1. Podłączyć jeden koniec przewodu zasilającego ładowarki do gniazda ładowarki.
2. Podłączyć drugi koniec przewodu zasilającego ładowarki do gniazda sieciowego z uziemieniem. Dioda ładowarki błysnie jeden raz na zielono.



3. Włóż akumulator do ładowarki. Kiedy akumulator jest prawidłowo podłączony do ładowarki, włącza się na niej zielona dioda.



4. Akumulator jest całkowicie naładowany, gdy włącza się wszystkie diody. Akumulator można ładować przez maks. 24 godziny.
5. Aby odłączyć ładowarkę od gniazda sieciowego, należy ciągnąć za wtyczkę, a nie za przewód.
6. Akumulator należy wyjąć z ładowarki.

### Stan ładowania akumulatora

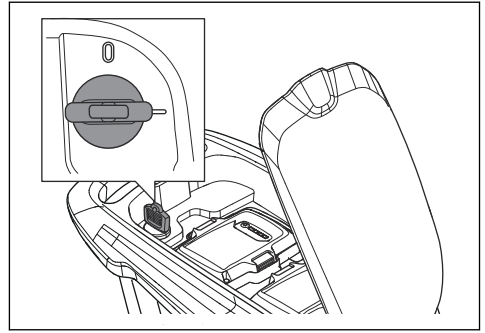
Akumulator litowo-jonowy Husqvarna można ładować i używać przy różnych poziomach naładowania. Akumulator nie jest uszkodzony. W pełni naładowany akumulator nie będzie się rozładowywał, nawet jeśli zostanie w ładowarce.

Wyświetlacz LED	Stan ładowania
Miga dioda LED 1.	0–25%
Dioda LED 1 świeci, a dioda LED 2 miga.	25–50%
Diody LED 1 i LED 2 świecą, a dioda LED 3 miga.	50–75%
Diody LED 1, LED 2 i LED 3 świecą, a dioda LED 4 miga.	75–100%
Świecą diody LED 1, LED 2, LED 3 i LED 4	Akumulator całkowicie naładowany

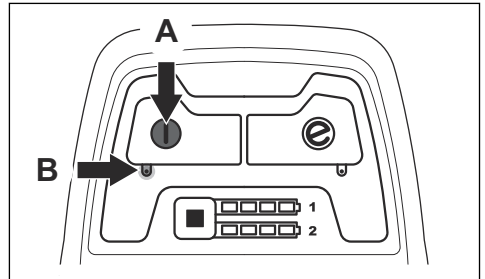
### Uruchamianie urządzenia

1. Umieścić naładowany akumulator w komorze akumulatora nr 1 pod pokrywą akumulatora. Aby zapewnić dłuższy czas pracy, należy umieścić drugi akumulator w komorze akumulatora nr 2.

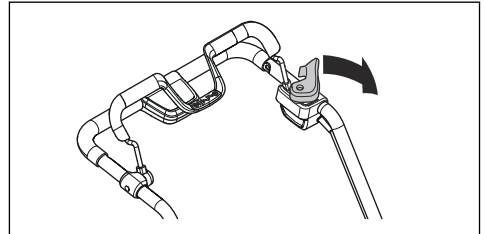
2. Obrócić kluczyk bezpieczeństwa do położenia 1.



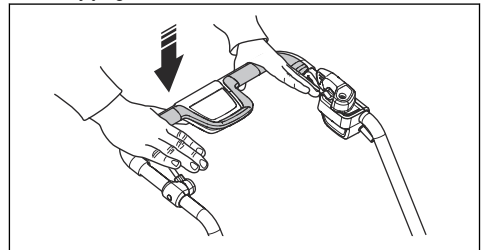
3. Należy pozostawać za maszyną.
4. Nacisnąć przycisk WŁ./WYŁ. (A) na panelu sterowania. Zaświeci się zielona dioda LED (B).



5. Poluzować opóźniacz rozruchu.



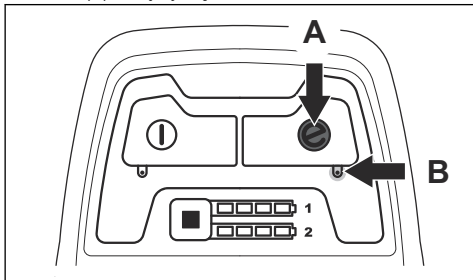
6. Pchnąć dźwignię hamulca silnika w stronę drążka sterującego.



### Korzystanie z funkcji Save

Urządzenie wyposażone jest w funkcję oszczędzania akumulatora (SaveE), która zapewni dłuższy czas pracy.

1. Aby uruchomić funkcję, należy nacisnąć przycisk SavE (A). Włączy się zielona dioda.



2. Ponowne naciśnięcie przycisku SavE wyłączy funkcję. Zgaśnie zielona dioda (B).

Funkcja SavE zostanie wyłączona automatycznie, jeśli okaże się, że stan podłoża wymaga zastosowania większej mocy. Funkcja SavE uruchomi się automatycznie, gdy tylko stan podłoża na to pozwoli.

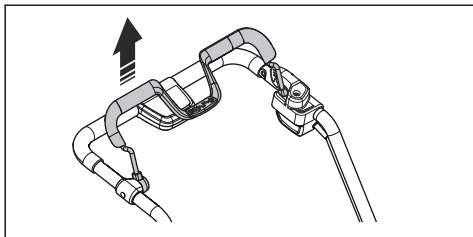
## Funkcja dużego obciążenia

Jeżeli urządzenie jest używane do ścinania mokrej lub długiej trawy, silnik automatycznie zwiększy prędkość obrotową. Silnik powróci do trybu standardowego, gdy wysokie obciążenie nie będzie już potrzebne.

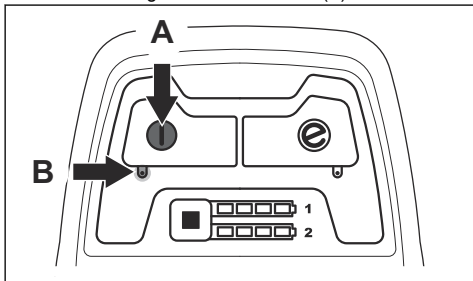
## Zatrzymywanie urządzenia

Urządzenie zatrzymuje się automatycznie, jeśli nie jest używane przez 10 min. Przed pozostawieniem produktu poza zasięgiem wzroku zawsze należy ustawić kluczyk bezpieczeństwa w położeniu 0.

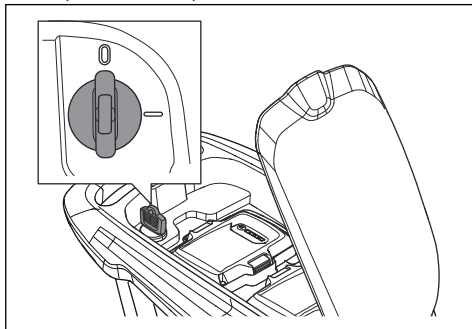
1. Aby wyłączyć silnik, należy zwolnić uchwyt hamulca silnika.



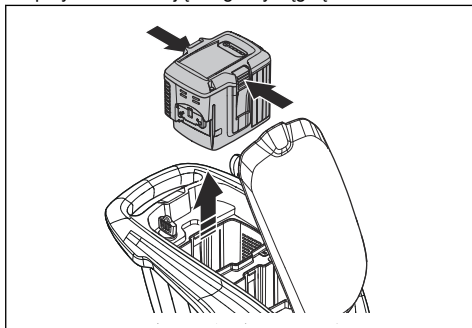
2. Nacisnąć przycisk WŁ./WYŁ. (A) na panelu sterowania. Zgaśnie zielona dioda (B).



3. Otworzyć pokrywę akumulatora i obrócić kluczyk bezpieczeństwa w położenie „0”.



4. Aby wyjąć akumulator, należy nacisnąć dwa przyciski zwalniające i go wyciągnąć.



5. Jeżeli poziom naładowania akumulatora jest niski, należy go naładować. Więcej informacji można znaleźć w rozdziale *Ładowanie akumulatora na stronie 412*.

## Uzyskiwanie dobrych rezultatów

- Używać zawsze dobrze naostrzonych ostrzy. Stępione ostrze daje nierównomierne rezultaty, a ścinana powierzchnia żółknie. Naostrzone ostrze zużywa również mniej energii niż ostrze stępione.
- Nie należy kosić więcej niż  $\frac{1}{3}$  długości trawy. Najpierw należy kosić przy użyciu dużej wysokości koszenia. Zbadać rezultaty i obniżyć wysokość koszenia do odpowiedniego poziomu. Jeśli trawa jest bardzo długa, w razie konieczności należy przejechać powoli i ścinać dwukrotnie.
- Kosić za każdym razem w różnych kierunkach, aby uniknąć powstawania pasów na trawniku.
- Utrzymywać osłonę zespołu tnącego w czystości. Nagromadzenie trawy i zanieczyszczeń po wewnętrznej stronie osłony zespołu tnącego może zmniejszyć efekt koszenia. Patrz *Czyszczenie produktu na stronie 415*.

# Przegląd

## Wstęp



**OSTRZEŻENIE:** Przed przeprowadzeniem konserwacji należy przeczytać i zrozumieć rozdział o bezpieczeństwie.

Do wykonywania wszelkich prac serwisowych i naprawczych konieczne jest specjalistyczne przeszkolenie. Gwarantujemy dostępność profesjonalnych napraw i usług serwisowych. Jeśli dany dealer nie jest autoryzowanym punktem serwisowym,

poprosz sprzedawcę o informacje na temat najbliższego autoryzowanego punktu serwisowego.

## Plan konserwacji

Odstępy pomiędzy konserwacjami obliczane są w oparciu o codzienne wykorzystanie produktu. Odstępy te ulegają zmianie, jeśli maszyna nie jest użytkowana codziennie.

W przypadku konserwacji oznaczonych gwiazdką \*, patrz instrukcje w *Zespoły zabezpieczające na osprzęcie na stronie 406*.

	Każde użycie	Co miesiąc	Co sezon
Przeprowadzenie ogólnego przeglądu	X		
Wyczyszczenie maszyny	X		
Sprawdzić zabezpieczenie przed niepożądanym uruchomieniem.*	X		
Sprawdzić, czy urządzenia zabezpieczające są sprawne.*	X		
Kontrola osprzętu tnącego	X		
Sprawdzić osłonę cięcia.*	X		
Sprawdzić uchwyt hamulca silnika.*	X		
Sprawdzić, czy przycisk WŁ./WYŁ. działa poprawnie i jest sprawny.	X		
Sprawdzić akumulator pod kątem uszkodzeń.	X		
Sprawdzić naładowanie akumulatora.	X		
Sprawdzić, czy przyciski zwalniające akumulator działają prawidłowo oraz czy blokują go na miejscu w urządzeniu.	X		
Sprawdzić, czy ładowarka nie jest uszkodzona oraz czy działa prawidłowo.		X	
Sprawdzić połączenia pomiędzy akumulatorem a urządzeniem. Sprawdzić również połączenie pomiędzy akumulatorem a ładowarką.			X

## Przegląd ogólny

- Należy upewnić się, że nakrętki i śruby maszyny są dokręcone.
- Upewnić się, że przewody urządzenia nie znajdują się w położeniu, w którym mogłyby ulec uszkodzeniu.

## Czyszczenie produktu

- Plastikowe części należy czyścić czystą i suchą ściereczką.
- Do czyszczenia urządzenia nie należy używać wody. Woda mogłaby dostać się do akumulatora lub silnika i wywołać zwarcie lub uszkodzenie urządzenia.

- Nie używać myjek wysokociśnieniowych do czyszczenia urządzenia.
- Nie polewać silnika bezpośrednio wodą.
- W celu usunięcia liści, trawy i brudu należy użyć szczotki.

## Czyszczenie akumulatora i ładowarki



**OSTRZEŻENIE:** Do czyszczenia akumulatora i ładowarki nie należy używać wody.

- Przed włożeniem akumulatora do ładowarki należy sprawdzić, czy akumulator i ładowarka są czyste i suche.

- Zaciski akumulatora należy czyścić sprężonym powietrzem lub miękką i suchą szmatką.
- Powierzchnie akumulatora i ładowarki należy czyścić miękką i suchą szmatką.

## Kontrola osprzętu tnącego



**OSTRZEŻENIE:** Aby uniknąć niezamierzonego uruchomienia, należy przekręcić kluczyk zabezpieczający do położenia 0, wyjąć akumulator i odczekać przynajmniej 5 s.



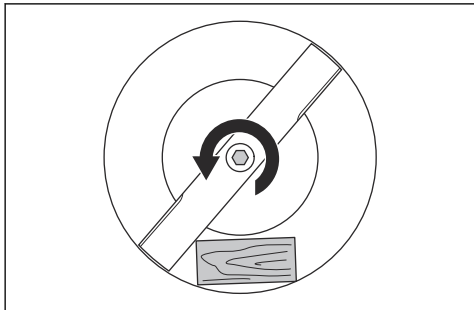
**OSTRZEŻENIE:** W trakcie konserwacji narzędzi tnących należy korzystać z rękawic ochronnych. Ostrze jest bardzo ostre i może łatwo doprowadzić do skaleczenia.

1. Należy skontrolować, czy osprzęt tnący nie jest uszkodzony bądź pęknięty. Zawsze wymieniać uszkodzony osprzęt tnący.
2. Obejrzeć ostrze i upewnić się, że nie jest uszkodzone lub stępione.

**Uwaga:** Po ostrzeniu ostrze należy wypoziomować. Ostrzenie, wymiana i poziomicowanie ostrza winno zostać przeprowadzone przez centrum serwisowe. W przypadku uderzenia w przeszkodę, która zatrzymuje maszynę, należy wymienić uszkodzone ostrze. Pozwolić, aby przedstawiciel serwisowy oszacował, czy ostrze można naostrzyć czy wymienić.

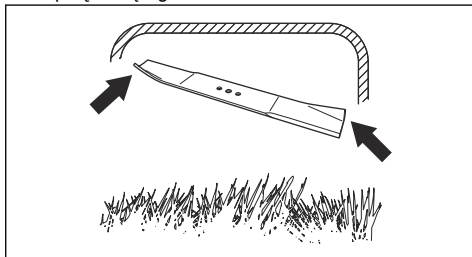
## Wymiana ostrza

1. Zablokować ostrze przy użyciu drewnianego bloku.

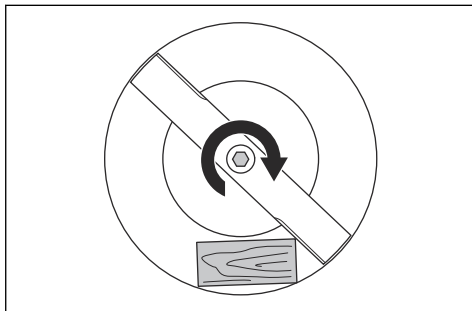


2. Wymontować śrubę ostrza.

3. Zdjąć ostrze.
4. Skontrolować wspornik ostrza oraz śrubę ostrza pod kątem uszkodzeń.
5. Skontrolować wał silnika, aby upewnić się, że nie jest zgięty.
6. Podczas mocowania nowego ostrza należy skierować zakrzywione końce ostrza ku osłonie osprzętu tnącego.



7. Upewnić się, że ostrze jest wyrównane względem środka wału silnika.
8. Zablokować ostrze przy użyciu drewnianego bloku. Zamocować podkładkę sprężynową i dokręcić śrubę oraz podkładkę momentem dokręcania wynoszącym 23–28 Nm.



9. Obracać ostrzem za pomocą ręki i sprawdzić, czy obraca się swobodnie.



**OSTRZEŻENIE:** Nosić solidne rękawice ochronne. Ostrze jest bardzo ostre i może łatwo doprowadzić do skaleczenia.

10. Uruchomić maszynę w celu przetestowania ostrza. Jeśli ostrze nie zostało zamontowane prawidłowo, maszyna będzie wibrować lub rezultaty koszenia będą niezadowolające.



## Rozwiązywanie problemów

### Akumulator

Dioda na akumulatorze	Przyczyna	Rozwiązanie
Miga zielona dioda LED.	Napięcie akumulatora jest niskie.	Naładować akumulator. Patrz <i>Ładowanie akumulatora na stronie 412</i> .
Miga dioda LED błędu.	Akumulator jest słaby.	Naładować akumulator. Patrz <i>Ładowanie akumulatora na stronie 412</i> .
	Temperatura środowiska pracy jest zbyt wysoka lub zbyt niska.	Akumulator można użytkować w zakresie temperatur od -10°C do 40°C.
	Przepięcie.	Sprawdzić, czy napięcie sieciowe jest takie, jak podano na tabliczce znamionowej na urządzeniu. Wyjąć akumulator z ładowarki. Odczekać 5 s i spróbować ponownie naładować akumulator. Jeśli problem utrzymuje się, skontaktować się z autoryzowanym warsztatem obsługi technicznej.
Dioda LED błędu jest włączona.	Zbyt wysoka różnica między ogniwami akumulatora (1 V).	Skontaktować się z autoryzowanym punktem serwisowym.

### Ładowarka

Dioda na ładowarce	Przyczyna	Rozwiązanie
Miga dioda LED błędu.	Temperatura środowiska pracy jest zbyt wysoka lub zbyt niska.	Ładowarkę akumulatora można użytkować w zakresie temperatur od 5°C do 40°C.
Dioda LED błędu jest włączona.		Skontaktować się z autoryzowanym punktem serwisowym.

### Panel sterowania

W przypadku wystąpienia problemów innych niż opisane w tej sekcji skontaktuj się z punktem serwisowym.

Klawiatura	Kod błędu (liczba błysków)	Możliwe usterki	Możliwe działania
Miga dioda LED błędu	3	Silnik jest przeciążony.	Zwiększyć wysokość koszenia. Patrz <i>Regulacja wysokości koszenia na stronie 412.</i>
	5	Prędkość obrotowa silnika spada zbyt mocno i silnik wyłącza się.	
	10	Sterownik silnika jest zbyt gorący.	Wyłączyć silnik i poczekać, aż ostygnie.
	2	Ostrze jest zablokowane	Aby uniknąć niezamierzonego uruchomienia, należy przekręcić kluczyk zabezpieczający w położenie 0, wyjąć akumulator i odczekać przynajmniej 5 s. Upewnić się, że ostrze może się swobodnie obracać. Jeśli problem utrzymuje się, skontaktować się z autoryzowanym punktem serwisowym.
	9	Błąd akumulatora lub brak sygnału z akumulatora	Prawidłowo umieścić akumulator w urządzeniu i sprawdzić złącze akumulatora. Jeśli miga dioda błędu na akumulatorze, patrz <i>Akumulator na stronie 412.</i>
Urządzenie wyłącza się.	8	Akumulator jest słaby	Naładuj akumulator. Patrz <i>Ładowanie akumulatora na stronie 412.</i>
	0	Błąd złącza akumulatora	Sprawdź złącze akumulatora.

## Transport, przechowywanie i utylizacja

### Wstęp



**OSTRZEŻENIE:** Aby uniknąć niezamierzonego uruchomienia w trakcie transportu, należy przekręcić kluczyk zabezpieczający w położenie „0”, wyjąć akumulator i odczekać przynajmniej 5 s.

### Transport

- Przepisy dotyczące towarów niebezpiecznych mają zastosowanie do dołączonych akumulatorów litow-jonowych.
- W przypadku transportu komercyjnego należy przestrzegać specjalnych wymagań umieszczonych na opakowaniu i etykietach.
- W trakcie przygotowywania urządzenia do transportu należy upewnić się, że postępuje się zgodnie z przepisami dotyczącymi materiałów niebezpiecznych. Mogą obowiązywać również lokalne przepisy.
- Zawsze wyjmować akumulator na czas transportu.
- Na złączach akumulatora należy przykleić taśmę i upewnić się, że akumulator nie może się przemieszczać w trakcie transportu.

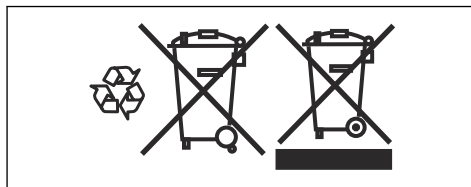
- W trakcie transportu urządzenie należy zamocować.

### Przechowywanie

- Zawsze wyjmować akumulator do przechowania.
- Aby uniknąć wypadków, upewnić się, że akumulator jest odłączony od produktu podczas przechowywania.
- Akumulator należy trzymać w zamkniętym i suchym miejscu.
- Akumulator i ładowarkę należy trzymać w suchym miejscu, w którym nie występuje wilgoć ani mróz.
- Na czas przechowywania odłączyć akumulator od ładowarki.
- Nie przechowywać akumulatora w miejscu, gdzie może występować elektryczność statyczna. Nie przechowywać akumulatora w metalowym pojemniku.
- Akumulator należy przechowywać w temperaturze od 5°C do 25°C, w miejscu osłoniętym przed działaniem promieni słonecznych.
- Ładowarkę należy przechowywać w temperaturze od 5°C do 45°C, w miejscu osłoniętym przed działaniem promieni słonecznych.

- Przed odstawieniem urządzenia na dłuższe przechowywanie należy upewnić się, że poziom naładowania akumulatora wynosi 30%–50%.
- Urządzenie, akumulator i ładowarkę należy trzymać w zamkniętym pomieszczeniu, niedostępnym dla dzieci ani osób nieupoważnionych.
- Przed odstawieniem urządzenia na dłuższe przechowywanie należy je wyczyścić oraz przeprowadzić pełny przegląd.

wplywowi na środowisko naturalne i ludzi. Aby uzyskać więcej informacji na temat recyklingu niniejszego produktu, skontaktować się z urzędem miasta lub gminy, przedsiębiorstwem gospodarki komunalnej albo punktem sprzedaży, w którym produkt został kupiony.



## Utylizacja

Symbole znajdujące się na urządzeniu oraz na opakowaniu informują o tym, że nie wolno traktować go jak zwykłego odpadu domowego. Musi ono zostać oddane do odpowiedniego punktu pobierania surowców wtórnych, zajmującego się przetwarzaniem urządzeń elektrycznych oraz elektronicznych.

Przekazując produkt w odpowiednie miejsce, pomagasz przeciwdziałać jego potencjalnemu negatywnemu

## Dane techniczne

	LB 146i
<b>Silnik koszący</b>	
Typ silnika	BLDC (bezszcotkowy) 36 V
Prędkość silnika – SavE, obr./min	2600
Prędkość silnika – nominalna, obr./min	3000
Prędkość silnika – duże obciążenie, obr./min	3500
Moc silnika – maks., kW	1,05
Moc silnika – nominalna, kW	0,9
Ograniczenie zbyt wysokiego natężenia prądu (Obecny limit: 900W-27A)	27 (+/-) 1A
<b>Waga</b>	
Ciężar bez akumulatora (kg)	16,9
<b>Akumulator <sup>73</sup></b>	
Typ akumulatora	Akumulatory z serii Husqvarna
<b>Czas pracy na akumulatorze</b>	
Czas pracy akumulatora, min. (swobodna praca) z aktywną funkcją SavE, z jednym akumulatorem Husqvarna 5,2 Ah (BLi200).	77
Czas pracy akumulatora, min. (swobodna praca) w trybie standardowym, z jednym akumulatorem Husqvarna 5,2 Ah (BLi200).	45
<b>Poziom hałasu <sup>74</sup></b>	
Zmierzony poziom mocy akustycznej, dB(A)	90

<sup>73</sup> W celu uzyskania najlepszych wyników zalecany jest akumulator Husqvarna BLi200.

<sup>74</sup> Emisję hałasu do otoczenia zmierzono jako moc akustyczną ( $L_{WA}$ ), zgodnie z dyrektywą WE 2000/14/WE.

	<b>LB 146i</b>
Poziom głośności, gwarantowana moc akustyczna L <sub>WA</sub> dB(A)	91
<b>Poziomy głośności</b> <sup>75</sup>	
Poziom ciśnienia akustycznego przy uchu operatora, dB(A)	79
<b>Poziomy drgań</b> <sup>76</sup>	
Uchwyt, m/s <sup>2</sup>	0,9
<b>Osprzęt tnący</b>	
Wysokość koszenia, mm	35-70 mm
Szerokość koszenia, cm	46
Nóż	BioClip
Numer produktu	5947022-10

Zatwierdzone akumulatory	Typ	Pojemność akumulatora, Ah	Napięcie, V	Waga, funty/kg
BLi20	Litowo-jonowy	4,0	36	2,6/1,2
BLi200	Litowo-jonowy	5,2	36	2,8/1,3
BLi300	Litowo-jonowy	9,4	36	4,2/1,9

Zatwierdzone ładowarki obsługujące określone akumulatory, BLI	Napięcie wejściowe, V	Częstotliwość, Hz	Moc, W
QC80	100–240	50–60	100
QC80F	10–15	N/D	95
QC330	100–240	50–60	330
QC500	100–240	50–60	500
40-C80	100–240	50–60	68,8

<sup>75</sup> Odnotowane dane dla ciśnienia akustycznego mają typowe rozproszenie statystyczne (odchylenie standardowe) w wysokości 1,2 dB (A).

<sup>76</sup> Odnotowane dane dla poziomu wibracji mają typowe rozproszenie statystyczne (odchylenie standardowe) w wysokości 0,2 m/s<sup>2</sup>. Norma dot. drgań EN 60335-2-77:2017, rozdział 20.105

---

# Deklaracja zgodności WE

---

## Deklaracja zgodności WE

Firma **Husqvarna AB**, SE-561 82 Huskvarna, Szwecja,  
tel.: +46-36-146500, oświadcza, że **kosiarka Husqvarna  
LB 146i**, począwszy od roku 2021, są zgodne z  
przepisami zawartymi w DYREKTYWIE RADY

- z dnia 8 czerwca 2011 roku, „dotyczącej ograniczenia użycia określonych substancji niebezpiecznych” **2011/65/UE**.
- z 17 maja 2006 r. „dotyczącej maszyn” **2006/42/WE**
- z 26 lutego 2014 roku, „dotyczącej kompatybilności elektromagnetycznej” **2014/30/UE**
- z 8 maja 2000 roku, „dotyczącej emisji hałasu do otoczenia” **2000/14/WE**

Informacje dotyczące emisji hałasu podano w rozdziale „Dane techniczne”.

Zostały zastosowane następujące normy:

**EN 60335-1:2012+A11:2014+A13:2017, EN  
60335-2-77:2010, EN 62233:2008, EN  
55014-1:2017+A11:2020, EN 55014-2:2015, EN IEC  
63000:2018**

Jeśli nie podano inaczej, wymienione powyżej normy to najnowsze opublikowane wersje.

Jednostka notyfikowana: **0404, RISE SMP Svensk Maskinprovning AB, Box 7035, SE-750 07 Uppsala** przeprowadziła ocenę zgodności według załącznika VI dyrektywy 2000/14/WE.

Huskvarna, 2021-10-30



Claes Losdal, menedżer ds. rozwoju/produkty ogrodowe  
(autoryzowany przedstawiciel Husqvarna AB oraz osoba  
odpowiedzialna za dokumentację techniczną)

# ÍNDICE

Introdução.....	422	Resolução de problemas.....	439
Segurança.....	424	Transporte, armazenamento e eliminação.....	441
Montagem.....	432	Especificações técnicas.....	442
Funcionamento.....	434	Declaração CE de conformidade.....	444
Manutenção.....	437		

## Introdução

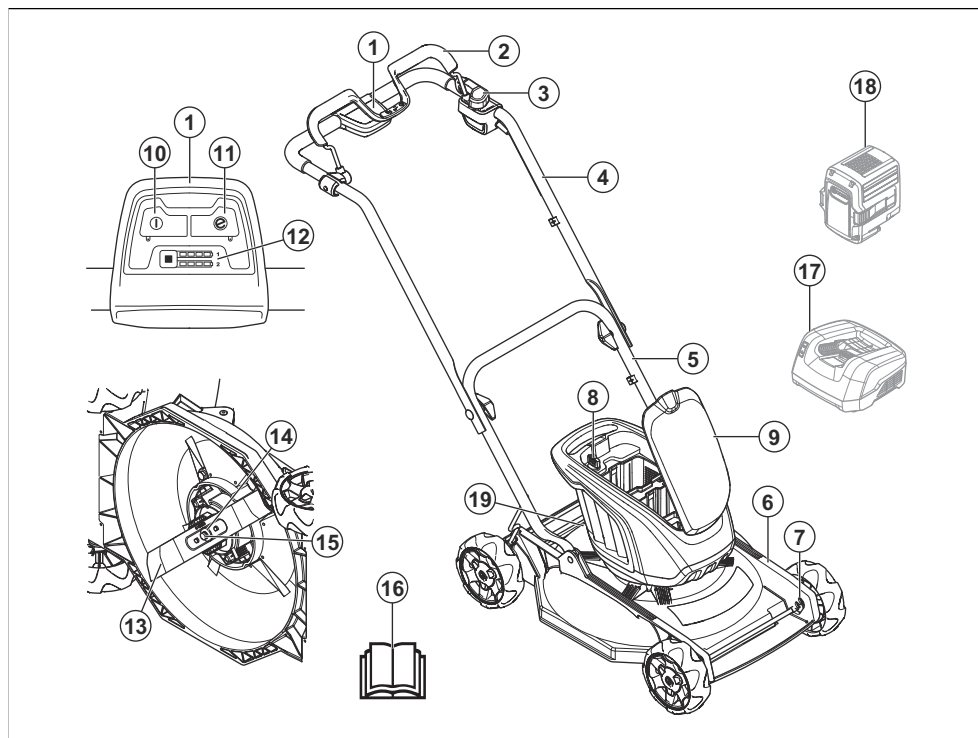
### Descrição do produto

O produto é um corta-relva giratório de controlo apeado que utiliza BioClip para cortar a relva e torná-la em fertilizante.

### Finalidade

Utilize o produto para cortar a relva. Não utilize o produto para outras tarefas.

### Vista geral do produto



- |                                |  |
|--------------------------------|--|
| 1. Painel de controlo          | 8. Chave de segurança                                |
| 2. Manipulo de travão do motor | 9. Cobertura da bateria                              |
| 3. Inibidor de arranque        | 10. Botão ON/OFF                                     |
| 4. Barra superior do guiador   | 11. Botão SavE (economia)                            |
| 5. Barra inferior              | 12. Indicador de carga da bateria e botão da bateria |
| 6. Cobertura de corte          | 13. Lâmina   |
| 7. Controlo da altura de corte | 14. Arruela de pressão                               |

15. Parafuso da lâmina
16. Manual do utilizador
17. Carregador da bateria (acessório)
18. Bateria (acessório)
19. Etiqueta de tipo com código QR

## Símbolos no produto



Aviso: a utilização indevida ou incorreta poderá provocar ferimentos ou a morte do operador ou de terceiros.



Leia o manual do utilizador com atenção e certifique-se de que compreende as instruções antes de utilizar o produto.



Mantenha as pessoas e os animais a uma distância de segurança da área de trabalho.



Tenha cuidado com objetos projetados e ricochetes.



Aviso: Mantenha as mãos e os pés afastados da lâmina rotativa.



Aviso: Mantenha as mãos e os pés afastados das peças rotativas.



Retire a chave de segurança antes de efetuar trabalhos de reparação ou manutenção.



Não expor à chuva



O produto ou a respetiva embalagem não são resíduos domésticos. Recicle o equipamento numa estação de reciclagem para equipamentos elétricos e eletrónicos.



O produto está em conformidade com as diretivas CE aplicáveis.

O produto está em conformidade com as diretivas da União Aduaneira Eurasiática aplicáveis.



O produto está em conformidade com as diretivas UkrSEPRO aplicáveis.



O produto está em conformidade com as diretivas RCM aplicáveis. Aplica-se apenas à AU/NZ



Emissões de ruído para o meio ambiente conforme diretiva da Comunidade Europeia. As emissões do produto são indicadas no capítulo de Especificações técnicas e na etiqueta.

## IPX1 IPX1 - proteção contra gotejamento



Procedimento de arranque: prima o botão ON/OFF, desliza o inibidor de arranque e empurre o punho do travão do motor para baixo.



Solte o manípulo de travão do motor para parar.

**Nota:** Os restantes símbolos/autocolantes existentes no produto dizem respeito às exigências de homologação de alguns países.

## Etiqueta no produto



PERIGO – Mantenha as mãos e os pés afastados.

## Responsabilidade pelo produto

Como referido nas leis de responsabilidade pelo produto, não somos responsáveis por danos causados pelo nosso produto se:

- o produto tiver sido incorretamente reparado.
- o produto tiver sido reparado com peças que não sejam do fabricante ou que não sejam aprovadas pelo fabricante.
- o produto tiver um acessório que não seja do fabricante ou que não seja aprovado pelo fabricante.
- o produto não tiver sido reparado por um centro de assistência autorizado ou por uma autoridade aprovada.

---

## Segurança

---

### Definições de segurança

Os avisos, as precauções e as notas são utilizados para indicar

partes especialmente importantes do manual.





**ATENÇÃO:** Utilizado no caso de existir risco de ferimento ou morte para o utilizador ou transeuntes, se não forem respeitadas as instruções do manual.

---



**CUIDADO:** Utilizado se existir risco de danos para o produto, para outros materiais ou para a área adjacente, se não forem respeitadas as instruções do manual.

---

**Nota:** Utilizado para disponibilizar informações adicionais necessárias numa determinada situação.

---

### Instruções de segurança gerais

---



**ATENÇÃO:** Leia as instruções de aviso que se seguem antes de utilizar o produto.

---

- Este produto é perigoso se for utilizado de forma incorreta ou se não o utilizador for cuidadoso. Podem ocorrer ferimentos graves ou mesmo morte se as instruções de

segurança não forem respeitadas.

- Este produto produz um campo eletromagnético durante o funcionamento. Em determinadas circunstâncias, este campo pode interferir com o funcionamento de implantes médicos ativos ou passivos. Para diminuir o risco de ferimentos graves ou mortais, recomendamos que os portadores de implantes médicos consultem o seu médico e o fabricante do implante antes de utilizar este produto.
- Seja sempre cuidadoso e use o seu senso comum. Se não tiver a certeza sobre como utilizar o produto numa situação especial, pare e fale com o seu revendedor Husqvarna antes de continuar.
- Tenha em atenção que o utilizador é responsável pelos acidentes que incluam outras pessoas ou a respetiva propriedade.
- Mantenha o produto limpo. Certifique-se de que pode ler claramente os sinais e os autocolantes.
- Não permita a utilização do equipamento por crianças ou pessoas não familiarizadas

com estas instruções. As normas locais podem restringir a idade do utilizador

- Monitorize sempre a utilização do produto por pessoas com diminuição da capacidade física ou mental. Tem de estar sempre presente um adulto responsável.
- Não utilize o produto se estiver cansado, doente ou sob a influência de álcool, drogas ou medicamentos. Estes têm um efeito negativo na sua visão, atenção, capacidade de discernimento ou controlo físico.
- Não utilize o produto se este apresentar algum defeito.
- Não altere este produto e não o utilize se houver a possibilidade de ter sido alterado por outros.

## Segurança no local de trabalho



**ATENÇÃO:** Leia as instruções de aviso que se seguem antes de utilizar o produto.

- Retire objetos como ramos, galhos e pedras da área de trabalho antes de utilizar o produto.
- Os objetos que embatem no equipamento de corte podem

ser projetados e causar danos a pessoas e objetos.

Mantenha terceiros e animais a uma distância de segurança do produto.

- Nunca utilize o produto em más condições meteorológicas, como nevoeiro, chuva, ventos fortes, frio intenso e risco de trovoada. A utilização do produto em más condições meteorológicas ou em localizações molhadas ou com humidade é cansativa. As más condições meteorológicas podem causar condições perigosas, como superfícies escorregadias.
- Observe se há pessoas, objetos e situações que possam impedir o funcionamento seguro do produto.
- Observe se há obstáculos como raízes, pedras, ramos, buracos e valas. A relva longa pode ocultar obstáculos.
- Cortar relva em declives pode ser perigoso. Não corte a relva em declives demasiado íngremes. Não utilize o produto em terrenos com um declive superior a 15°
- Tenha muito cuidado ao mudar de direção em declives.

Utilize o produto ao longo da face dos declives. Não se desloque para cima e para baixo.

- Tenha cuidado ao aproximar-se de esquinas com pouca visibilidade e de objetos que possam impedir uma boa visibilidade.

## Segurança do trabalho



**ATENÇÃO:** Leia as instruções de aviso que se seguem antes de utilizar o produto.

- Utilize este produto apenas para cortar relva. Não é permitido utilizá-lo para outras tarefas.
- Use equipamento de proteção pessoal. Consulte *Equipamento de proteção pessoal na página 428*.
- Certifique-se de que sabe como desligar o motor rapidamente em caso de emergência.
- Não utilize o produto em condições de chuva ou de humidade. O risco de choque elétrico aumenta se entrar água no produto.
- Não utilize o produto, a menos que a lâmina e todas as coberturas estejam

corretamente montadas. Uma lâmina montada incorretamente pode soltar-se e causar ferimentos pessoais.

- Certifique-se de que a lâmina não atinge objetos como pedras e raízes. Isto pode causar danos à lâmina e dobrar o eixo do motor. Um eixo dobrado provoca fortes vibrações e um elevado risco de a lâmina se soltar.
- Se a lâmina atingir um objeto ou ocorrerem vibrações, pare o produto imediatamente. Desligue o motor, rode a chave de segurança para a posição 0 e retire a bateria. Examine se o produto apresenta sinais de danos. Repare os danos ou solicite a reparação numa oficina autorizada.
- Nunca ligue o manípulo de travão do motor de modo permanente ao punho durante o arranque do motor.
- Coloque o produto numa superfície estável e plana e ligue-o. Certifique-se de que a lâmina não atinge o solo ou outros objetos.
- Mantenha-se sempre por trás do produto quando o operar.
- Mantenha todas as rodas no chão e as duas mãos sobre o

punho quando utilizar o produto. Mantenha as mãos e os pés afastados das lâminas rotativas.

- Não incline o produto quanto ligar o motor.
- Tenha cuidado quando puxar o produto para trás.
- Nunca levante o produto quando ligar o motor. Se tiver de levantar o produto, desligue primeiro o motor, rode a chave de segurança para a posição 0 e retire a bateria.
- Não caminhe para trás quando operar o produto.
- Desligue o motor quando se deslocar em zonas sem relva, por exemplo caminhos de gravilha, pedra e asfalto.
- Não corra com o produto quando o motor está ligado. Caminhe sempre que operar o produto.
- Pare o motor antes de mudar a altura de corte. Nunca efetue ajustes com o motor ligado.
- Nunca deixe o produto fora de vista com o motor ligado. Pare o motor e certifique-se de que o equipamento de corte não roda.

## Instruções de segurança para funcionamento

### Equipamento de proteção pessoal

---



**ATENÇÃO:** Leia as instruções de aviso que se seguem antes de utilizar o produto.

---

- O equipamento de proteção pessoal não previne totalmente os ferimentos mas diminui a respetiva gravidade em caso de acidente. Obtenha ajuda junto do seu concessionário para selecionar o equipamento certo.
- Use botas ou sapatos antiderrapantes resistentes. Não use calçado aberto nem ande com os pés descalços.
- Use calças compridas e resistentes.
- Use luvas de proteção sempre que necessário, por exemplo, ao fixar, examinar ou limpar o equipamento de corte.

### Dispositivos de segurança no produto

---



**ATENÇÃO:** Leia as instruções de aviso que se seguem antes de utilizar o produto.

---

- Não utilize o produto com dispositivos de segurança defeituosos.
- Verifique regularmente os dispositivos de segurança. Se os dispositivos de segurança

estiverem defeituosos, fale com a sua oficina Husqvarna autorizada.

### Verificar a cobertura de corte

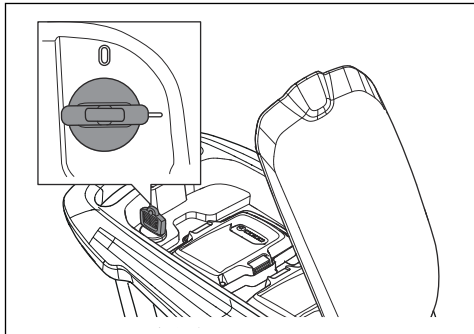
A cobertura de corte reduz as vibrações no produto e o risco de ferimentos causados pela lâmina.

- Examine a cobertura de corte para se certificar de que não existem danos, como fissuras.

### Chave de segurança

A chave de segurança encontra-se por baixo da tampa da bateria. A chave de segurança liga a bateria que alimenta o motor.

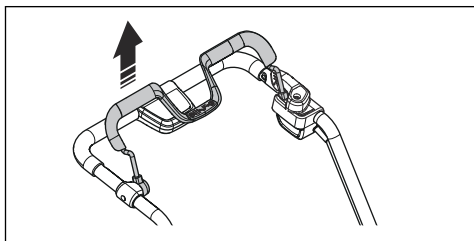
- Ligue e desligue o motor para verificar o funcionamento da chave de segurança.
- Se a chave de segurança funcionar corretamente, o motor pode arrancar apenas quando a chave de segurança se encontra na posição 1.



### Manípulo de travão do motor

O manípulo de travão do motor para o motor. Quando soltar o manípulo de travão do motor, o motor para.

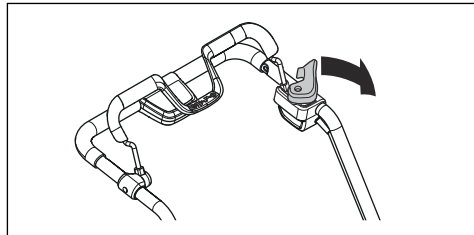
Para verificar o funcionamento do travão do motor, ligue o motor e, em seguida, solte o manípulo de travão do motor. Se o motor não parar em 3 segundos, solicite o ajuste do travão do motor numa oficina Husqvarna autorizada.



### Verificar o inibidor de arranque

Verifique o inibidor de arranque para se certificar de que este impede o funcionamento do motor.

1. Empurre o manípulo de travão do motor no sentido da barra de direção. O inibidor de arranque para o movimento.
2. Empurre o inibidor de arranque para fora.



3. Solte o inibidor de arranque e certifique-se de que este volta à respetiva posição inicial.

## Segurança da bateria



**ATENÇÃO:** Leia as instruções de aviso que se seguem antes de utilizar o produto.

- Utilize baterias recarregáveis Husqvarna como fonte de alimentação apenas para produtos Husqvarna relacionados. Para evitar ferimentos, não utilize a bateria como fonte de alimentação para outros produtos.
- Não utilize baterias não recarregáveis.
- Risco de choque elétrico. Não ligue os terminais da bateria a chaves, moedas, parafusos ou outros metais. Caso contrário, pode provocar um curto-circuito da bateria.

- Não coloque objetos nas aberturas de ventilação da bateria.
- Mantenha a bateria afastada do sol, calor ou de chamas abertas. A bateria pode explodir e causar queimaduras e/ou queimaduras químicas.
- Mantenha a bateria afastada de chuva e condições de humidade.
- Mantenha a bateria afastada de micro-ondas e alta pressão.
- Não tente desmontar ou partir a bateria.
- Em caso de fuga da bateria, evite o contacto do líquido com a pele ou com os olhos. Em caso de contacto com o líquido, limpe a área com água abundante e procure assistência médica.
- Utilize a bateria a temperaturas entre -10 °C e 40 °C.
- Não limpe a bateria ou o carregador com água. Consulte o capítulo *Para limpar a bateria e o carregador da bateria na página 438*.
- Não utilize uma bateria danificada ou com defeito.
- Mantenha as baterias armazenadas afastadas de objetos metálicos como, por

exemplo, pregos, moedas, joias.

## Segurança do carregador de bateria

---



**ATENÇÃO:** Leia as instruções de aviso que se seguem antes de utilizar o produto.

---

- Utilize carregadores de bateria QC para carregar apenas baterias de substituição Husqvarna.
- Risco de choque elétrico ou curto-circuito. Não coloque objetos nas aberturas de ventilação do carregador. Não tente desmontar o carregador da bateria. Não ligue os terminais do carregador a objetos metálicos. Utilize uma tomada elétrica aprovada.
- Este produto produz um campo eletromagnético durante o funcionamento. Em determinadas circunstâncias, este campo pode interferir com o funcionamento de implantes médicos ativos ou passivos. Para diminuir o risco de condições que podem causar ferimentos ou morte, recomendamos que os portadores de implantes médicos consultem o seu

médico e o fabricante do implante antes de utilizar este produto.

- Certifique-se regularmente de que o cabo de alimentação do carregador da bateria não está danificado nem apresenta fissuras.
- Não utilize o cabo de alimentação para levantar o carregador da bateria. Para desligar o carregador da bateria de uma tomada elétrica, puxe a ficha. Não puxe o cabo de alimentação.
- Mantenha o cabo de alimentação e os cabos de extensão afastados de água, de óleo e de arestas afiadas. Certifique-se de que o cabo não fica entalado em portas, cercas ou equivalente. Isto pode fazer com que o carregador fique sob tensão.
- Não limpe o carregador da bateria com água.
- O carregador da bateria pode ser utilizado por crianças a partir dos 8 anos de idade e por pessoas com capacidades físicas, sensoriais ou mentais reduzidas, ou falta de experiência e conhecimentos, desde que as mesmas se encontrem sob supervisão ou tenham recebido instruções

acerca da utilização segura do carregador da bateria e compreendam os perigos envolvidos. As crianças não devem brincar com o carregador da bateria. As tarefas de limpeza e manutenção a cargo do utilizador não devem ser efetuadas por crianças sem a devida supervisão.

- Não carregue baterias não recarregáveis no carregador da bateria.
- Não utilize o carregador da bateria próximo de materiais inflamáveis ou materiais que possam provocar corrosão. Não cubra o carregador da bateria. Em caso de fumo ou fogo, desligue o carregador da bateria da tomada.
- Não utilize um carregador da bateria que esteja com defeito ou danificado.
- Carregue a bateria apenas em espaços interiores com boa ventilação e sem exposição à luz solar. Não carregue a bateria em condições de humidade.

### Instruções de segurança para manutenção



**ATENÇÃO:** Leia as instruções de aviso que

se seguem antes de utilizar o produto.

---

- Para evitar um arranque acidental durante a manutenção, rode a chave de segurança para a posição 0 e retire a bateria. Aguarde pelo menos 5 segundos antes de começar a manutenção.
- Efetue os trabalhos de manutenção corretamente para aumentar a vida útil do produto e reduzir o risco de acidentes. Solicite a realização de reparações profissionais numa oficina autorizada. Para mais informações, contacte a sua oficina autorizada.
- Efetue apenas os trabalhos de manutenção indicados neste manual do operador. As intervenções maiores têm de ser efetuadas por uma oficina autorizada.
- Calce luvas resistentes quando utilizar o equipamento de corte. A lâmina é muito afiada e pode facilmente provocar cortes.
- Mantenha as extremidades cortantes afiadas e limpas para garantir um desempenho melhor e mais seguro.
- Solicite à sua oficina autorizada a inspeção regular do produto e a realização dos ajustes e reparações necessários.
- Substitua as peças danificadas, gastas ou partidas.
- Cumpra as instruções relativas à substituição dos acessórios. Utilize apenas os acessórios do fabricante.
- Quando não estiverem em funcionamento, mantenha o produto, a bateria e carregador da bateria afastados num local seco, interior e fechado à chave. Certifique-se de que as crianças e as pessoas não autorizadas não conseguem ter acesso ao produto, à bateria ou ao carregador da bateria.

---

## Montagem

---

### Introdução

---



**ATENÇÃO:** Antes de montar o produto, leia o capítulo sobre segurança.

---



**ATENÇÃO:** Para evitar um arranque acidental durante a montagem, rode a chave de segurança para a posição 0, retire a bateria e aguarde pelo menos 5 segundos.

---

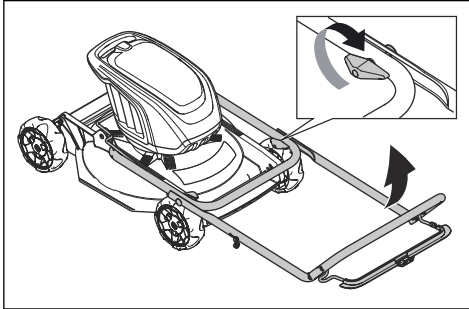


## Montar a barra

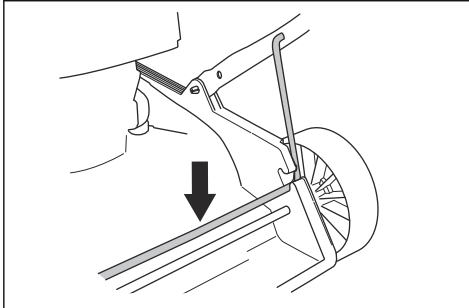


**CUIDADO:** Não torça os cabos.

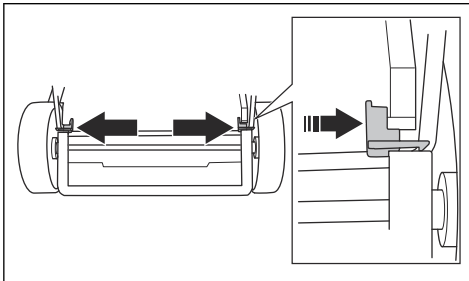
1. Alinhe os orifícios do punho superior com os orifícios do punho inferior.
2. Aperte totalmente os botões nos lados direito e esquerdo e dobre a barra.



3. Coloque o suporte na ranhura da cobertura de corte.



4. Fixe os 2 batentes que bloqueiam o suporte e a barra. Empurre-os totalmente para a respetiva posição.



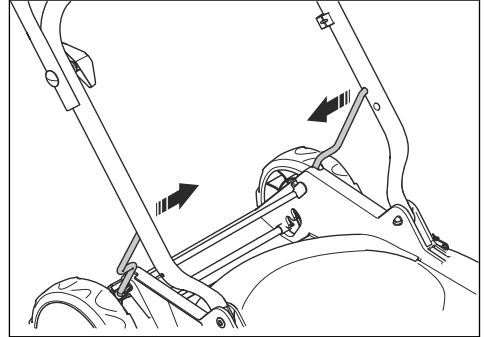
**Nota:** Existem 2 batentes, um identificado com um H e outro com um V. Coloque o batente com um H no lado direito e o batente com um V no lado esquerdo.



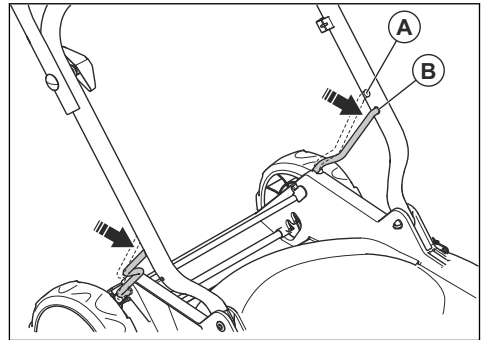
**CUIDADO:** Não utilize o produto se os 2 batentes não estiverem fixos.

## Ajustar a altura da barra

1. Retire o fixador do punho do punho inferior.



- a) Coloque o fixador do punho no orifício superior (A) para diminuir a altura do punho.
- b) Coloque o fixador do punho no orifício inferior (B) para aumentar a altura do punho.



# Funcionamento

## Introdução



**ATENÇÃO:** Antes de utilizar o produto, tem ler e compreender o capítulo sobre segurança.

## Husqvarna Connect

A Husqvarna Connect é uma aplicação gratuita para o seu dispositivo móvel. A aplicação Husqvarna Connect disponibiliza funções alargadas para o seu produto Husqvarna:

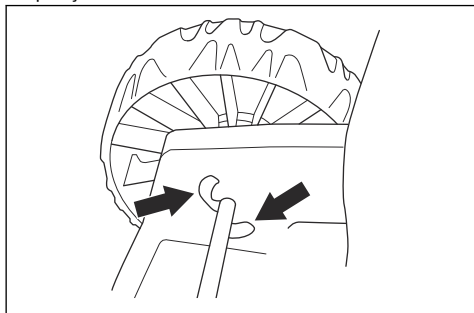
- Informações alargadas sobre o produto.
- Informações sobre, e ajuda relacionada com peças e manutenção do produto.

## Começar a utilizar Husqvarna Connect

1. Transfira a aplicação Husqvarna Connect para o seu dispositivo móvel.
2. Registe-se na aplicação Husqvarna Connect.
3. Siga os passos das instruções na aplicação Husqvarna Connect para ligar e registar o produto.

## Definir a altura de corte

- Empurre o eixo para fora e desloque-o para a posição correta em cada uma das 4 rodas.



**CUIDADO:** Não regule a altura de corte demasiado baixa. As lâminas podem entrar em contacto com o solo se a superfície do relvado não estiver nivelada.

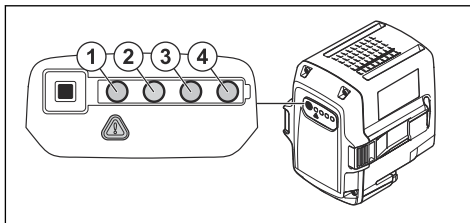
## Bateria



**ATENÇÃO:** Antes de utilizar a bateria, tem de ler e compreender o capítulo sobre segurança. Também tem de ler e compreender o manual do operador da bateria e do carregador da bateria.

## Estado da bateria

O visor indica a capacidade restante da bateria e a existência de problemas com a mesma. A capacidade da bateria é apresentada durante 5 segundos depois de desligar o produto ou se pressionar o botão indicador da bateria. O símbolo de aviso na bateria acende-se quando ocorre um erro. Consulte o capítulo *Bateria na página 439*.



Luzes LED	Estado da bateria
Todos os LED acesos	Carga completa (75%-100%)
LED 1, LED 2 e LED 3 acesos	A bateria tem uma carga de 50%-75%
LED 1 e LED 2 acesos	A bateria tem uma carga de 25%-50%
LED 1 aceso	A bateria tem uma carga de 0%-25%.
LED 1 intermitente	A bateria está descarregada. Carregue a bateria.

## Carregar a bateria

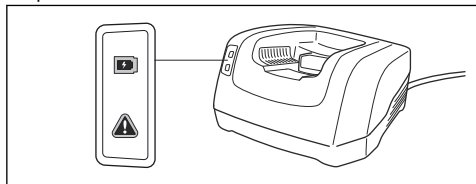
Carregue a bateria antes da primeira utilização. A bateria tem apenas 30% de carga quando é entregue ao cliente.

**Nota:** O carregador da bateria tem de ser ligado à tensão e à frequência especificadas na etiqueta de tipo.

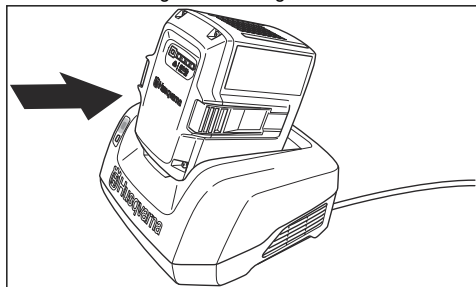
A bateria não carrega se a sua temperatura for superior a 50 °C. O carregador da bateria diminui a temperatura da bateria antes de começar a carregar.

1. Ligue uma extremidade do cabo de alimentação do carregador da bateria à tomada do carregador da bateria.

2. Ligue a outra extremidade do cabo de alimentação do carregador da bateria a uma tomada elétrica com ligação à terra. O LED do carregador da bateria pisca a verde uma vez.



3. Coloque a bateria no carregador da bateria. A luz verde do carregador acende-se se a bateria estiver corretamente ligada ao carregador da bateria.



4. A bateria está totalmente carregada quando todos os LED se acenderem. Carregue a bateria no máximo durante 24 horas.
5. Para desligar o carregador da bateria da tomada, retire a ficha e não o cabo de alimentação.
6. Retire a bateria do carregador da bateria.

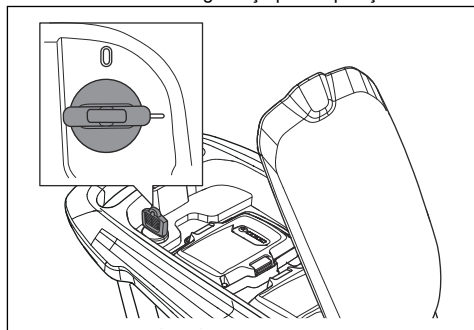
### Estado de carregamento da bateria

Uma bateria de íões de lítio Husqvarna pode ser carregada ou utilizada em todos os níveis de carga. A bateria não fica danificada. Uma bateria completamente carregada não perde a sua carga mesmo que seja deixada no carregador.

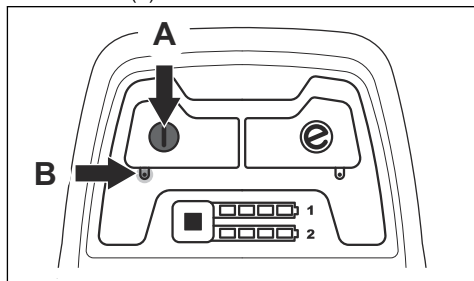
Ecrã LED	Estado de carga
LED 1 intermitente	0%-25%
LED 1 aceso, LED 2 intermitente	25%-50%
LED 1 e LED 2 acesos, LED 3 intermitente	50%-75%
LED 1, LED 2 e LED 3 acesos, LED 4 intermitente	75%-100%
LED 1, LED 2, LED 3 e LED 4 acesos	Totalmente carregada

### Arranque

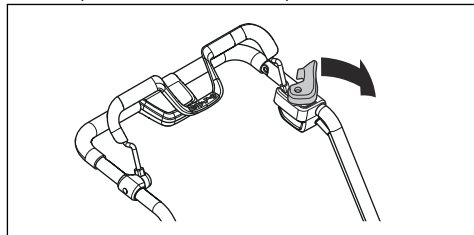
1. Coloque uma bateria carregada no compartimento da bateria com o número 1 por baixo da tampa da bateria. Para prolongar o tempo de funcionamento, coloque uma segunda bateria carregada no compartimento da bateria com o número 2.
2. Rode a chave de segurança para a posição 1.



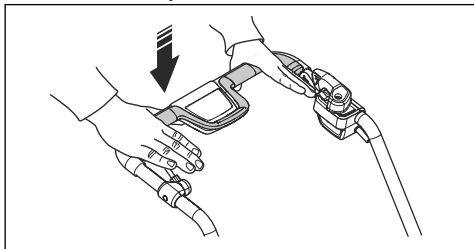
3. Mantenha-se atrás do produto.
4. Prima o botão ON/OFF (A) no painel de controlo. O LED verde (B) acende-se.



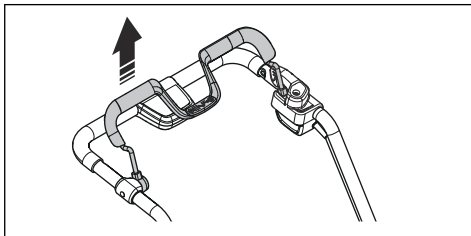
5. Desaperte o inibidor de arranque.



- Empurre o manípulo de travão do motor no sentido da barra de direção.



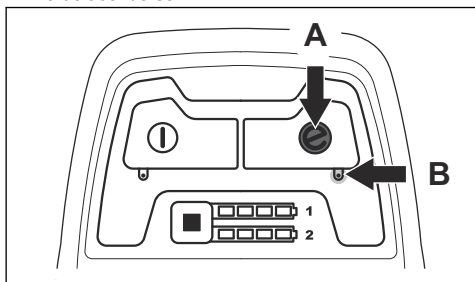
- Solte o manípulo de travão do motor para parar o motor.



## Utilizar a função SaveE

O produto inclui uma função de poupança da bateria (SaveE), que permite uma utilização mais prologada.

- Prima o botão SaveE (A) para ativar a função. O LED verde acende-se.



- Prima o botão SaveE novamente para desativar a função. O LED verde (B) apaga-se.

A função SaveE é desativada automaticamente se as condições do solo exigirem uma maior potência. A função SaveE inicia-se automaticamente quando as condições do solo assim o permitirem.

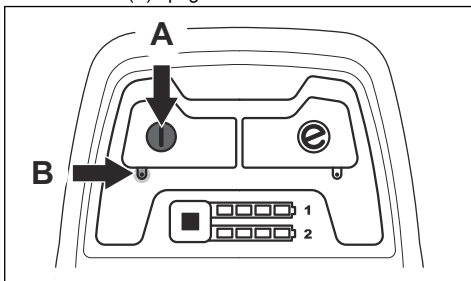
## Função de carga elevada

Quando o produto estiver a cortar relva alta ou molhada, o motor aumenta automaticamente as rpm. O motor regressa ao modo padrão quando não houver carga elevada.

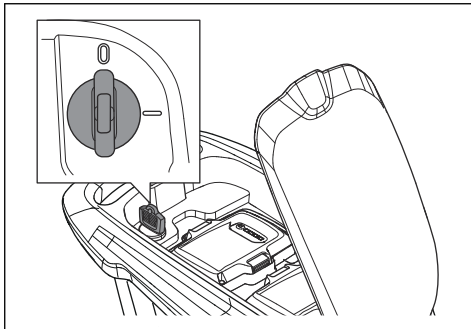
## Para desligar o produto

O produto para automaticamente se não o utilizar durante 10 minutos. Rode sempre a chave de segurança para a posição 0 antes de deixar o produto fora de vista.

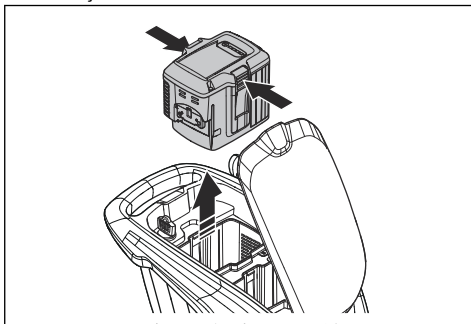
- Prima o botão ON/OFF (A) no painel de controlo. O LED verde (B) apaga-se.



- Abra a tampa da bateria e rode a chave de segurança para a posição 0.



- Para retirar a bateria, pressione os dois botões de libertação e retire a bateria.



5. Carregue a bateria se estiver fraca. Para mais informações, consulte *Carregar a bateria na página 434*.

## Para obter bons resultados

- Utilize sempre uma lâmina bem afiada. Uma lâmina romba produz um resultado irregular e a superfície de corte da relva fica amarela. Uma lâmina afiada também gasta menos energia que uma lâmina romba.
- Não corte mais do que  $\frac{1}{4}$  do comprimento da relva. Corte primeiro com a altura de corte alta. Examine o resultado e reduza a altura de corte para um nível aplicável. Caso a relva esteja muito comprida, avance lentamente e corte duas vezes, se necessário.

- Corte em diferentes direções de cada vez, para evitar a formação de linhas no relvado.
- Mantenha a cobertura de corte limpa. A acumulação de relva e sujidade no lado interior da cobertura de corte pode diminuir o resultado de corte. Consulte *Limpar o produto na página 438*.

---

## Manutenção

---

### Introdução



**ATENÇÃO:** Antes de efetuar a manutenção, tem de ler e compreender o capítulo sobre segurança.

É necessária formação especial para realizar qualquer tarefa de manutenção ou reparação. Garantimos a disponibilidade de reparações e manutenção profissionais. Se o seu revendedor não for uma oficina

autorizada, pergunte-lhes onde se situa a oficina autorizada mais próxima.

### Esquema de manutenção

Os intervalos de manutenção são calculados a partir da utilização diária do produto. Os intervalos são alterados se o produto não for utilizado diariamente.

Para manutenção identificada com \* consulte as instruções em *Dispositivos de segurança no produto na página 428*.

	A cada utilização	Mensalmente	A cada estação
Efetuar uma inspeção geral	X		
Limpar o produto	X		
Verificar o inibidor de arranque*	X		
Certificar-se de que os dispositivos de segurança do produto não estão danificados*	X		
Examinar o equipamento de corte	X		
Examinar a cobertura de corte*	X		
Verificar o manípulo de travão do motor*	X		
Certificar-se de que o botão ON/OFF funciona corretamente e não está avariado	X		
Verificar a existência de danos na bateria	X		
Verificar a carga da bateria	X		
Certificar-se de que os botões de libertação da bateria funcionam corretamente e que a bateria bloqueia no produto	X		
Verificar a existência de danos no carregador da bateria e certificar-se de que funciona corretamente.		X	
Verificar as ligações entre a bateria e o produto. Verificar também a ligação entre a bateria e o carregador da bateria.			X

## Para efetuar uma inspeção geral

- Certifique-se de que as porcas e os parafusos do produto estão apertados.
- Certifique-se de que os cabos no produto não estão numa posição suscetível a danos.

## Limpar o produto

- Limpe os componentes plásticos com um pano seco e limpo.
- Não utilize água para limpar o produto. A água pode entrar na bateria ou no motor, provocando um curto-circuito ou danos no produto.
- Não utilize uma máquina de lavar à pressão para limpar o produto.
- Não verta água diretamente no motor.
- Utilize uma escova para remover folhas, relva e sujidade.

## Para limpar a bateria e o carregador da bateria



**ATENÇÃO:** Não limpe a bateria ou o carregador com água.

- Certifique-se de que a bateria e o carregador da bateria estão limpos e secos antes de colocar a bateria no carregador da bateria.
- Limpe os terminais da bateria com ar comprimido ou com um pano macio e seco.
- Limpe as superfícies da bateria e o carregador da bateria com um pano macio e seco.

## Para examinar o equipamento de corte



**ATENÇÃO:** Para evitar um arranque acidental, rode a chave de segurança para a posição 0, retire a bateria e aguarde pelo menos 5 segundos.



**ATENÇÃO:** Use luvas de proteção quando realizar a manutenção do equipamento de corte. A lâmina é muito afiada e pode facilmente provocar cortes.

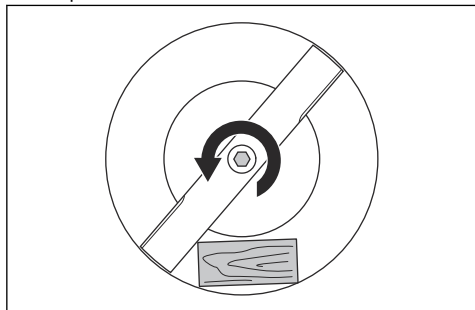
1. Examine se o equipamento de corte está danificado ou se apresenta fissuras. Substitua sempre um equipamento de corte danificado.
2. Olhe para a lâmina para verificar se está danificada ou romba.

**Nota:** É necessário estabilizar a lâmina depois de ser afiada. Afiar, substitua e estabilize a lâmina numa oficina

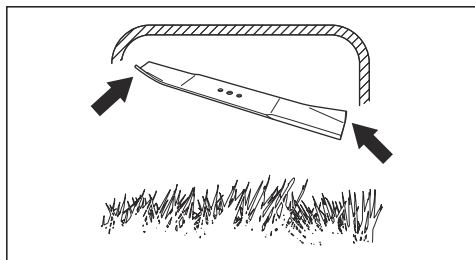
especializada. Se atingir um obstáculo que faça o produto parar, substitua a lâmina danificada. Um centro de assistência deve avaliar se a lâmina pode ser afiada ou se tem de ser substituída.

## Para substituir a lâmina

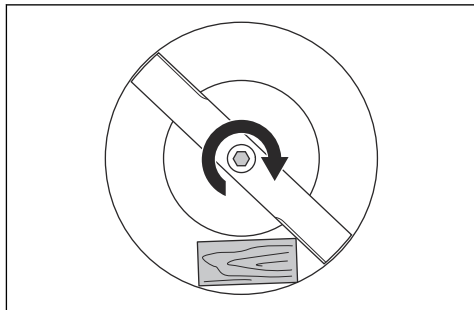
1. Bloquee a lâmina com um bloco de madeira.



2. Remova o parafuso da lâmina.
3. Retire a lâmina.
4. Examine o suporte e o parafuso da lâmina para verificar se existem danos.
5. Examine o eixo do motor para se certificar de que não se encontra dobrado.
6. Quando colocar a lâmina nova, aponte as extremidades inclinadas da lâmina na direção da cobertura de corte.



7. Certifique-se de que a lâmina está alinhada com a parte central do eixo do motor.
8. Bloquee a lâmina com um bloco de madeira. Prensione a arruela de pressão e aperte o parafuso e a arruela com um binário de 23–28 Nm.



9. Faça rodar a lâmina com a mão de modo a assegurar-se de que roda livremente.



**ATENÇÃO:** Use luvas resistentes. A lâmina é muito afiada e pode facilmente provocar cortes.

10. Ligue o produto para testar a lâmina. Se a lâmina não estiver corretamente ligada, o produto vibra ou o resultado de corte não é satisfatório.

## Resolução de problemas

### Bateria

LED na bateria	Causa	Solução
LED verde intermitente.	A tensão da bateria é baixa.	Carregue a bateria. Consulte <i>Carregar a bateria na página 434</i> .

LED na bateria	Causa	Solução
LED de erro intermitente.	A bateria está fraca.	Carregue a bateria. Consulte <i>Carregar a bateria na página 434</i> .
	A temperatura no ambiente de trabalho é demasiado elevada ou demasiado baixa.	Utilize a bateria a temperaturas entre -10 °C e 40 °C.
	Sobretensão.	Certifique-se de que tensão da rede elétrica corresponde à indicada na etiqueta de tipo no produto.  Retire a bateria do carregador da bateria. Aguarde 5 segundos e tente carregar a bateria novamente. Se o problema persistir, contacte uma oficina autorizada.
LED de erro aceso.	A diferença entre as células é demasiado elevada (1 V).	Contacte uma oficina autorizada.

## Carregador da bateria

LED no carregador da bateria	Causa	Solução
LED de erro intermitente.	A temperatura no ambiente de trabalho é demasiado elevada ou demasiado baixa.	Utilize o carregador da bateria em ambientes com temperaturas entre 5 °C e 40 °C.
LED de erro aceso.		Contacte uma oficina autorizada.

## Painel de controlo

Se tiver problemas não incluídos nesta secção, contacte a sua oficina autorizada.

Teclado	Código de erro (número de intermitências)	Avarias possíveis	Ação possível
LED de erro intermitente	3	Motor sobrecarregado	Aumente a altura de corte. Consulte o capítulo <i>Definir a altura de corte na página 434</i> .
	5	A velocidade do motor desce demasiado e o motor para	
	10	Controlo do motor demasiado quente	Desligue o motor e aguarde até arrefecer
	2	A lâmina está bloqueada	Para evitar um arranque accidental, rode a chave de segurança para a posição 0, retire a bateria e aguarde pelo menos 5 segundos. Certifique-se de que a lâmina consegue rodar livremente. Se o problema persistir, contacte uma oficina autorizada
	9	Bateria com erro ou sem sinal	Coloque a bateria no produto corretamente e examine o conector da bateria. Se o LED de erro da bateria ficar intermitente, consulte <i>Bateria na página 434</i> .



Teclado	Código de erro (número de intermitências)	Avarias possíveis	Ação possível
O produto para	8	Bateria fraca	Carregue a bateria. Consulte o capítulo <i>Carregar a bateria na página 434</i> .
	0	Avaria do conector da bateria	Examinar o conector da bateria

## Transporte, armazenamento e eliminação

### Introdução



**ATENÇÃO:** Para evitar um arranque acidental durante o transporte, rode a chave de segurança para a posição "0", retire a bateria e aguarde pelo menos 5 segundos.

### Transporte

- Os requisitos da legislação sobre mercadorias perigosas aplicam-se às baterias de iões de lítio incluídas.
- Para um transporte comercial, é necessário cumprir os requisitos especiais na embalagem e nas etiquetas.
- Quando preparar o produto para transporte, certifique-se de que cumpre os regulamentos sobre mercadorias perigosas. Podem aplicar-se normas locais.
- Retire sempre a bateria para transporte.
- Coloque fita adesiva nos conectores da bateria e certifique-se de que a bateria não pode mover-se durante o transporte.
- Prenda o produto durante o transporte.

### Armazenamento

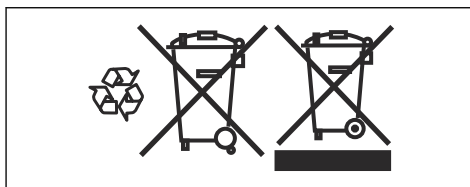
- Retire sempre a bateria durante o armazenamento.
- Para evitar acidentes, certifique-se de que a bateria não está ligada ao produto durante o armazenamento.
- Armazene o carregador da bateria apenas em espaços interiores secos.
- Armazene a bateria e o carregador da bateria num local seco, sem humidade nem gelo.
- Desligue a bateria do carregador da bateria durante o armazenamento.
- Não armazene a bateria num local onde possa haver eletricidade estática. Não armazene a bateria numa caixa metálica.

- Armazene a bateria num local onde a temperatura varie entre 5 °C e 25 °C e onde não fique exposta à luz solar.
- Armazene o carregador da bateria num local onde a temperatura varie entre 5 °C e 45 °C e onde não fique exposto à luz solar.
- Antes de armazenar a bateria durante longos períodos de tempo, certifique-se de que está carregada a 30-50%.
- Mantenha o produto, a bateria e o carregador de bateria num local fechado à chave, fora do alcance de crianças e de pessoas não autorizadas.
- Antes de armazenar o produto durante longos períodos de tempo, limpe-o e efetue uma manutenção completa do mesmo.

### Eliminação

Os símbolos no produto ou na respetiva embalagem indicam que este produto não deve ser tratado como um resíduo doméstico. Tem de ser enviado para uma estação de reciclagem adequada para a recuperação de equipamentos elétricos e eletrónicos.

Ao garantir que este produto é tratado corretamente, pode ajudar a neutralizar o potencial impacto negativo sobre o meio ambiente e as pessoas, que de outra forma pode resultar da gestão incorreta dos resíduos deste produto. Para informações mais detalhadas sobre a reciclagem deste produto, contacte o seu município, o serviço de recolha de resíduos domésticos ou a loja onde adquiriu o produto.



## Especificações técnicas

<b>LB 146i</b>	
<b>Motor de corte</b>	
Tipo de motor	BLDC (sem escova) 36V
Velocidade do motor – SavE, rpm	2600
Velocidade do motor – nominal, rpm	3000
Velocidade do motor – carga elevada, rpm	3500
Potência do motor – máx. kW	1,05
Potência do motor – nominal, kW	0,9
Proteção contra sobreintensidade (limite de corrente: 900W-27A)	27 (+/-) 1A
<b>Peso</b>	
Peso sem bateria, kg	16,9
<b>Bateria</b> <sup>77</sup>	
Tipo de bateria	Gama de equipamentos a bateria da Husqvarna
<b>Tempo de operação da bateria</b>	
Tempo de operação da bateria, mín., (operação livre) com SavE ativado, com uma bateria de 5,2 Ah (BLi200) da Husqvarna.	77
Tempo de operação da bateria, mín., (operação livre) com modo normal ativado, com uma bateria de 5,2 Ah (BLi200) da Husqvarna.	45
<b>Emissões de ruído</b> <sup>78</sup>	
Nível de potência sonora, dB(A) medidos	90
Nível de potência sonora, garantido L <sub>WA</sub> dB (A)	91
<b>Níveis acústicos</b> <sup>79</sup>	
Nível de pressão sonora ao nível do ouvido do operador, dB(A)	79
<b>Níveis de vibração</b> <sup>80</sup>	
Punho, m/s <sup>2</sup>	0,9
<b>Equipamento de corte</b>	
Altura de corte, mm	35-70 mm
Largura de corte, cm	46

<sup>77</sup> Para garantir o melhor resultado e desempenho, recomenda-se utilizar a bateria BLi200 da Husqvarna.

<sup>78</sup> Emissões de ruído para as imediações, medidas sob forma de potência sonora (L<sub>WA</sub>) em conformidade com a diretiva da CE 2000/14/CE.

<sup>79</sup> Os dados comunicados relativamente ao nível de pressão de ruído têm uma dispersão estatística típica (desvio padrão) de 1,2 dB (A).

<sup>80</sup> Os dados comunicados relativamente ao nível de vibração têm uma dispersão estatística típica (desvio padrão) de 0,2 m/s<sup>2</sup>. Norma de vibração EN 60335-2-77:2017 capítulo 20.105

	<b>LB 146i</b>
Lâmina	BioClip
Número do artigo	5947022-10

<b>Baterias aprovadas</b>	<b>Tipo</b>	<b>Capacidade da bateria, Ah</b>	<b>Tensão, V</b>	<b>Peso, kg</b>
BLi20	lões de lítio	4,0	36	2,6/1,2
BLi200	lões de lítio	5,2	36	2,8/1,3
BLi300	lões de lítio	9,4	36	4,2/1,9

<b>Carregadores aprovados para as baterias especificadas, BLi</b>	<b>Tensão de entrada, V</b>	<b>Frequência, Hz</b>	<b>Potência, W</b>
QC80	100-240	50-60	100
QC80F	10-15	N/A	95
QC330	100-240	50-60	330
QC500	100-240	50-60	500
40-C80	100-240	50-60	68,8

---

## Declaração CE de conformidade

---

### Declaração CE de conformidade

A **Husqvarna AB**, SE-561 82 Huskvarna, Suécia, tel: +46-36-146500, declara que o **corta-relva Husqvarna LB 146i** de 2021 e dos anos posteriores cumpre as disposições constantes na DIRETIVA DO CONSELHO:

- de 8 de junho de 2011 relativa à "restrição do uso de determinadas substâncias perigosas" **2011/65/UE**
- de 17 de maio de 2006 "referente a máquinas" **2006/42/CE**
- de 26 de fevereiro de 2014 "referente à compatibilidade eletromagnética" **2014/30/UE**
- de 8 de maio de 2000 "referente a emissões de ruído para o ambiente" **2000/14/CE**

Para mais informações relativas a emissões de ruído, consulte as Especificações técnicas.

Foram respeitadas as seguintes normas:

**EN 60335-1:2012+A11:2014+A13:2017, EN 60335-2-77:2010, EN 62233:2008, EN 55014-1:2017+A11:2020, EN 55014-2:2015, EN IEC 63000:2018**

Salvo indicação em contrário, as normas apresentadas acima são as versões publicadas mais recentes.

Entidade competente: **0404, RISE SMP Svensk Maskinprovning AB, Box 7035, SE-750 07 Uppsala** avaliou a conformidade de acordo com o Anexo VI da Diretiva 2000/14/CE.

Huskvarna, 2021-10-30



Claes Losdal, Chefe de Desenvolvimento/Produtos de Jardinagem (representante autorizado da Husqvarna AB e responsável pela documentação técnica)

# CUPRINS

Introducere.....	445	Depanarea.....	462
Siguranță.....	447	Transportul, depozitarea și eliminarea.....	463
Asamblarea.....	455	Date tehnice.....	464
Funcționarea.....	456	Declarație de conformitate CE.....	466
Întreținerea.....	460		

## Introducere

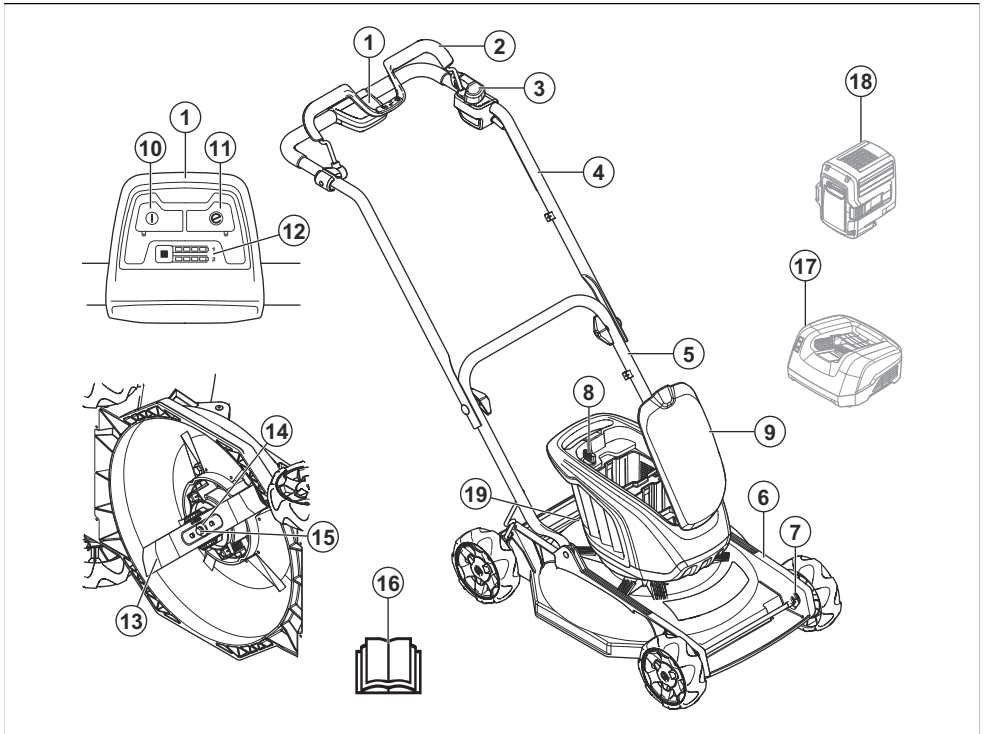
### Descrierea produsului

Produsul este o mașină rotativă pentru tuns gazonul controlată de un operator-pieton, care utilizează BioClip pentru a tăia iarba și a o transforma în îngrășământ.

### Domeniul de utilizare

Utilizați produsul pentru a tăia iarba. Nu utilizați produsul pentru alte sarcini.

### Prezentarea generală a produsului



1. Panoul de control
2. Maneta frânelor de motor
3. Inhibitorul de pornire
4. Mâner superior
5. Mâner inferior
6. Capac de tăiere
7. Control înălțime de tăiere
8. Cheie de siguranță
9. Capac baterie
10. Buton ON/OFF (Pornire/oprire)
11. Butonul SaveE (economisire)
12. Indicator de încărcare a bateriei și butonul bateriei
13. Cuțit
14. Șaibă de siguranță

15. Bolț cuțit
16. Manualul operatorului
17. Încărcător de baterie (accesoriu)
18. Baterie (accesoriu)
19. Plăcuță de identificare cu cod QR

## Simbolurile de pe produs



**Avertisment:** Utilizarea neatență sau incorectă poate cauza vătămări corporale sau moartea operatorului sau a altor persoane.



Citiți cu atenție manualul operatorului și asigurați-vă că înțelegeți instrucțiunile înainte de utilizare.



Țineți persoanele și animalele la o distanță sigură de zona de lucru.



Feriți-vă de obiectele proiectate sau care ricoșează.



**Avertisment:** Feriți-vă mâinile și picioarele de cuțitul rotativ.



**Avertisment:** Feriți-vă mâinile și picioarele de piesele rotative.



Scoateți cheia de siguranță înainte de a efectua lucrări de

reparații sau de întreținere.



Nu expuneți la ploaie



Produsul și ambalajul produsului nu pot fi tratate ca deșeuri menajere. Reciclați-l la un centru de reciclare pentru echipamente electrice și electronice.



Produsul este conform cu directivele CE aplicabile.



Produsul este conform cu directivele Uniunii Vamale Euroasiatice aplicabile.



Produsul este conform cu directivele UkrSEPRO aplicabile.



Produsul este conform cu directivele RCM aplicabile. Se aplică numai pentru AU/NZ



Emisii de zgomot în mediu conform Directivei Comunității Europene. Nivelul de emisii al produsului este specificat în capitolul Date tehnice și pe etichetă.

## IPX1 IPX1 - Cu protecție la picături



Procedură de pornire: apăsați butonul ON/OFF (Pornire/Oprire), slăbiți inhibitorul de pornire, împingeți în jos maneta frânei de motor.



Eliberați maneta frânei de motor pentru oprire.

**Nota:** Celelalte simboluri/etichete de pe produs se referă la cerințele de certificare pentru anumite piețe.

### Etichetele de pe produs



## Siguranță

### Definiții privind siguranța

Avertismentele, atenționările și notele sunt utilizate pentru a desemna părți foarte importante din manual.



**AVERTISMENT:** Se utilizează dacă există risc de vătămare sau de deces pentru operator sau pentru trecători, în

PERICOL – Țineți picioarele și mâinile la distanță.

### Răspundere pentru produs

Conform prevederilor legislației privind răspunderea pentru produs, nu ne asumăm răspunderea pentru daunele cauzate de produsul nostru dacă:

- produsul este reparat necorespunzător.
- produsul este reparat cu piese care nu provin de la producător sau care nu sunt aprobate de acesta.
- produsul are un accesoriu care nu provine de la producător sau care nu este aprobat de acesta.
- produsul nu este reparat la un centru de service omologat sau de o autoritate omologată.

cazul în care instrucțiunile din manual nu sunt respectate.

---



**ATENȚIE:** Se utilizează dacă există un risc de deteriorare a produsului, a altor materiale sau a zonelor învecinate, dacă instrucțiunile din manual nu sunt respectate.

---

**Nota:** Se utilizează pentru a furniza mai multe informații care sunt necesare într-o situație dată.

---

### Instrucțiuni generale de siguranță

---



**AVERTISMENT:** Înainte de a utiliza produsul, citiți instrucțiunile de avertizare de mai jos.

---

- Acest produs este periculos dacă este utilizat incorect sau dacă nu sunteți atent. Nerespectarea instrucțiunilor de siguranță poate cauza vătămări corporale sau decesul.
- În timpul funcționării, acest produs produce un câmp electromagnetic. În anumite

condiții, acest câmp poate interfera cu implanturile medicale active sau pasive. Pentru a reduce riscul de vătămări corporale grave sau mortale, recomandăm persoanelor cu implanturi medicale să consulte medicul și producătorul implantului medical înainte de a utiliza acest produs.

- Procedați întotdeauna cu atenție și folosiți-vă judecata. Dacă nu sunteți sigur cum să utilizați produsul într-o situație specială, opriți-l și adresați-vă distribuitorului Husqvarna înainte de a continua.
- Rețineți că operatorul poartă responsabilitatea privind orice accidente care implică alte persoane sau bunurile acestora.
- Păstrați produsul curat. Asigurați-vă că puteți citi clar semnele și etichetele.
- Nu lăsați niciodată copiii sau persoanele nefamiliarizate cu aceste instrucțiuni să folosească aparatul. Este posibil ca reglementările locale să limiteze vârsta operatorului
- Monitorizați permanent o persoană cu capacități fizice sau mentale reduse care utilizează produsul. Un adult



responsabil trebuie să fie prezent în permanență.

- Nu utilizați produsul atunci când sunteți obosit, bolnav sau dacă ați consumat alcool, droguri sau ați luat medicamente. Acestea vă afectează negativ acuitatea vizuală, atenția, coordonarea și judecata.
- Nu utilizați produsul dacă este defect.
- Nu modificați acest produs și nu îl utilizați dacă este posibil să fi fost modificat de către alte persoane.

## Siguranța zonei de lucru



**AVERTISMENT:** Înainte de a utiliza produsul, citiți instrucțiunile de avertizare de mai jos.

- temperaturi exterioare foarte scăzute și atunci când există riscul de descărcări electrice. Utilizarea produsului pe vreme nefavorabilă sau pe teren umed sau inundat este obositoare. Vremea nefavorabilă poate conduce la apariția de situații periculoase, de exemplu suprafețe alunecoase.
  - Verificați dacă există persoane, obiecte și situații care pot împiedica funcționarea în siguranță a produsului.
  - Atenție la obstacole, precum rădăcini, pietre, ramuri, gropi și șanțuri. În iarba înaltă se pot ascunde obstacole.
  - Tunderea ierbii pe pante poate fi periculoasă. Nu tundeți pante excesiv de abrupte. Nu utilizați produsul pe pante cu înclinație mai mare de 15°
  - Aveți foarte mare grijă atunci când schimbați direcția de deplasare pe pante. Utilizați produsul de-a curmezișul pantei. Nu efectuați mișcări în sus și în jos.
  - Procedați cu atenție atunci când vă apropiați de colțuri ascunse și de obiecte care blochează vederea.
- Înainte de a utiliza produsul, îndepărtați obiectele precum crengile, rămurelele și pietrele din zona de lucru.
  - Obiectele care se lovesc de echipamentul de tăiere pot fi aruncate, provocând vătămări corporale și pagube materiale. Țineți trecătorii și animalele la o distanță sigură de produs.
  - Nu utilizați produsul pe vreme rea, de exemplu pe ceață, ploaie, vânt puternic, la

## Siguranța în lucru

---



**AVERTISMENT:** Înainte de a utiliza produsul, citiți instrucțiunile de avertizare de mai jos.

---

- Utilizați acest produs numai pentru tunderea gazonului. Nu este permisă utilizarea acestui produs pentru alte lucrări.
- Utilizați echipamentul personal de protecție. Consultați *Echipament de protecție personală la pagina 451*.
- Asigurați-vă că știți cum să opriți rapid motorul în caz de urgență.
- Nu utilizați produsul în ploaie sau în condiții de umezeală. Riscul de electrocutare crește dacă apa pătrunde în produs.
- Nu utilizați produsul decât dacă au fost montate corect cuțitul și toate capacele. Un cuțit montat incorect se poate slăbi, provocând vătămări corporale.
- Asigurați-vă că lama nu lovește obiecte, precum pietre și rădăcini. Acestea pot deteriora cuțitul și pot îndoi arborele motorului. Un ax îndoit poate genera vibrații puternice și prezintă un risc foarte ridicat de slăbire a cuțitului.
- Dacă lama lovește un obiect sau dacă observați vibrații, opriți produsul imediat. Opriți motorul, rotiți cheia de siguranță la 0 și scoateți bateria. Examinați dacă produsul este deteriorat. Reparați defecțiunile sau solicitați unui agent de service autorizat să le repare.
- Nu atășați niciodată maneta frânei de motor la mâner, în mod permanent, atunci când motorul este pornit.
- Poziționați produsul pe o suprafață stabilă, plană și porniți-l. Asigurați-vă că lama nu atinge solul sau alte obiecte.
- Stați întotdeauna în spatele produsului atunci când îl utilizați.
- Mențineți toate roțile pe sol și țineți ambele mâini pe mâner când utilizați produsul. Feriți-vă mâinile și picioarele de cuțitele rotative.
- Nu înclinați produsul când motorul este pornit.
- Fiți atent atunci când trageți produsul în spate.
- Nu ridicați niciodată produsul când motorul este pornit. Dacă trebuie să ridicați produsul,

mai întâi opriți motorul, rotiți cheia de siguranță la 0 și scoateți bateria.

- Nu mergeți cu spatele în timp ce utilizați produsul.
- Opriți motorul când traversați zone fără iarbă, de exemplu alei din pietriș, piatră și asfalt.
- Nu alergați cu produsul când motorul este pornit. Întotdeauna mergeți în timp ce utilizați produsul.
- Opriți motorul înainte de a schimba înălțimea de tăiere. Nu efectuați niciodată reglaje cu motorul pornit.
- Nu lăsați niciodată produsul să iasă din câmpul vizual cu motorul pornit. Opriți motorul și asigurați-vă că echipamentul de tăiere nu se rotește.

### Instrucțiuni de siguranță pentru utilizare

### Echipament de protecție personală



**AVERTISMENT:** Înainte de a utiliza produsul, citiți instrucțiunile de avertizare de mai jos.

- Echipamentele de protecție personală nu pot elimina complet riscul de rănire, însă pot reduce gravitatea rănilor în cazul unui accident.

Distribuitorul vă poate ajuta să alegeți echipamentul corect.

- Utilizați întotdeauna ghete sau pantofi pentru regim greu de lucru, cu rezistență la alunecare. Nu folosiți pantofi decupați și nu operați produsul desculți.
- Utilizați pantaloni lungi, groși.
- Purtați mănuși de protecție atunci când este necesar, de exemplu atunci când conectați, inspectați sau curățați echipamentul de tăiere.

### Dispozitivele de siguranță de pe produs



**AVERTISMENT:** Înainte de a utiliza produsul, citiți instrucțiunile de avertizare de mai jos.

- Nu utilizați un produs cu dispozitive de siguranță deteriorate.
- Verificați regulat dispozitivele de siguranță. Dacă dispozitivele de siguranță sunt defecte, contactați agentul de service Husqvarna.

### Verificarea capacului de tăiere

Capacul de tăiere reduce vibrațiile în produs și scade riscul de rănire de la cuțit.

- Examinați capacul de tăiere și asigurați-vă că nu există defecte, precum fisuri.

### Cheie de siguranță

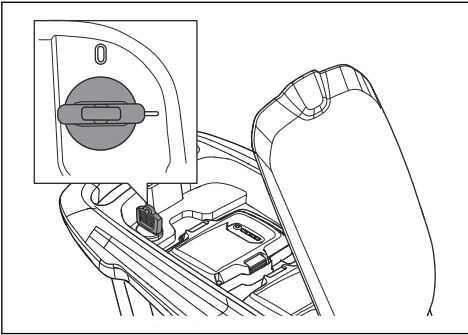
Cheia de siguranță este sub capacul bateriei. Cheia de siguranță conectează bateria care alimentează motorul cu energie.

- Porniți și opriți motorul pentru a verifica cheia de siguranță.
- În cazul în care cheia de siguranță funcționează corect, motorul pornește doar atunci când cheia de siguranță este în poziția 1.

## Siguranța bateriei



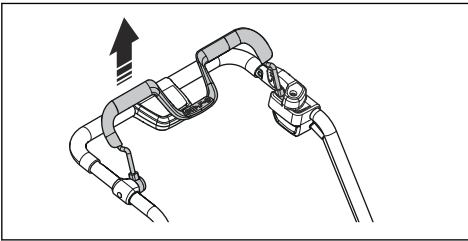
**AVERTISMENT:** Înainte de a utiliza produsul, citiți instrucțiunile de avertizare de mai jos.



### Maneta frânei de motor

Maneta frânei de motor oprește motorul. Când maneta frânei de motor este eliberată, motorul se oprește.

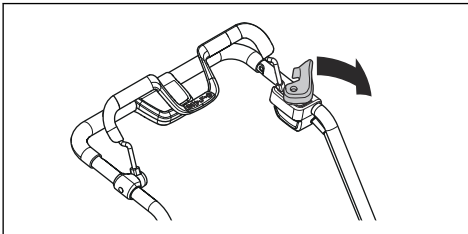
Pentru a efectua o inspecție a frânei de motor, porniți motorul și apoi eliberați maneta frânei de motor. Dacă motorul nu se oprește în 3 secunde, solicitați unui agent de service autorizat Husqvarna să regleze frâna de motor.



### Pentru examinarea inhibitorului de pornire

Verificați inhibitorul de pornire pentru a vă asigura că acesta împiedică funcționarea demarorului.

1. Împingeți maneta frânei de motor în direcția mânerului. Inhibitorul de pornire oprește mișcarea.
2. Împingeți inhibitorul de pornire în afară.



3. Eliberați inhibitorul de pornire și asigurați-vă că revine la poziția sa inițială.

- Utilizați numai baterii reîncărcabile Husqvarna ca sursă de alimentare pentru produsele Husqvarna asociate. Pentru a evita rănirea, nu folosiți bateria ca sursă de alimentare pentru alte dispozitive.
- Nu utilizați baterii nereîncărcabile.
- Risc de electrocutare. Nu conectați bornele bateriei la chei, monede, șuruburi sau alte metale. Aceasta poate cauza scurtcircuitarea bateriei.
- Nu puneți obiecte în fantele de aerisire a bateriei.
- Feriți bateria de lumina solară, de căldură sau de flăcări deschise. Bateria poate exploda și provoca arsuri și/sau arsuri chimice.
- Feriți bateria de ploaie și de condiții de umezeală.
- Feriți bateria de microunde și de înaltă presiune.
- Nu încercați să demontați sau să spargeți bateria.

- Dacă există scurgeri de lichid dintr-o baterie, nu lăsați lichidul să intre în contact cu pielea sau ochii. Dacă ați atins lichidul, curățați zona cu apă din abundență și consultați medicul.
- Utilizați bateria la temperaturi între -10°C și 40°C.
- Nu curățați niciodată bateria sau încărcătorul cu apă. Consultați *Pentru a curăța bateria și încărcătorul la pagina 460.*
- Nu utilizați o baterie defectă sau deteriorată.
- Depozitați bateriile la distanță de obiecte de metal, de exemplu cuie, monede, bijuterii.

## Siguranța încărcătorului bateriei



**AVERTISMENT:** Înainte de a utiliza produsul, citiți instrucțiunile de avertizare de mai jos.

- Utilizați numai încărcătoare de baterii QC pentru a încărca bateriile de schimb Husqvarna.
- Pericol de electrocutare sau de scurtcircuit. Nu puneți obiecte în fantele de aerisire a încărcătorului. Nu încercați să dezamblați încărcătorul de baterii. Nu conectați bornele încărcătorului la obiecte metalice. Folosiți o priză de curent aprobată.
- În timpul funcționării, acest produs produce un câmp electromagnetic. În anumite condiții, acest câmp poate interfera cu implanturile medicale active sau pasive. Pentru a scădea riscul de afecțiuni care pot conduce la vătămare sau la deces, recomandăm persoanelor cu implanturi medicale să consulte medicul și producătorul implantului medical înainte de a utiliza produsul.
- Asigurați-vă periodic că cablul de alimentare al încărcătorului de baterii nu este deteriorat și că nu prezintă fisuri.
- Nu ridicați încărcătorul bateriei ținând de cablul de alimentare. Pentru a deconecta încărcătorul de baterii de la priza de perete, trageți de ștecăr. Nu trageți de cablul de alimentare.
- Țineți cablul de alimentare și prelungitoarele la distanță de apă, ulei și muchiile ascuțite. Asigurați-vă că acest cablu nu este prins în uși, garduri sau în alte locuri similare. În caz

contrar, încărcătorul poate intra sub tensiune.

- Nu curățați încărcătorul de baterii folosind apă.
- Acest încărcător de baterii poate fi utilizat de către copiii cu vârsta peste 8 ani și de către persoane ce au capacități fizice, senzoriale sau mentale reduse sau care nu au experiența și cunoștințele necesare, dacă sunt supravegheate sau au primit instrucțiuni referitoare la utilizarea încărcătorului de baterii în siguranță și înțeleg riscurile implicate. Copiii nu trebuie să se joace cu încărcătorul de baterii. Curățarea și întreținerea nu se vor efectua de copii fără supraveghere.
- Nu încărcați baterii nereîncărcabile în încărcătorul de baterii.
- Nu utilizați încărcătorul de baterii în apropiere de materiale inflamabile sau materiale care pot cauza coroziune. Nu acoperiți încărcătorul bateriei. În caz de fum sau de incendiu, scoateți ștecărul încărcătorului de baterii.
- Nu utilizați un încărcător de baterii defect sau deteriorat.

- Încărcați bateria numai în interior, într-o încăpere cu aerisire adecvată și departe de lumina soarelui. Nu încărcați bateria în medii umede.

## Instrucțiuni de siguranță pentru întreținere



**AVERTISMENT:** Înainte de a utiliza produsul, citiți instrucțiunile de avertizare de mai jos.

---

- Pentru a preveni pornirea accidentală în timpul operațiilor de întreținere, rotiți cheia de siguranță la 0 și scoateți bateria. Așteptați minimum 5 secunde înainte de a începe lucrările de întreținere.
- Efectuați lucrările de întreținere în mod corect pentru a prelungi durata de viață a produsului și reduce pericolul de accidente. Lucrările de reparații profesionale trebuie efectuate de un agent de service autorizat. Discutați cu agentul de service cel mai apropiat de dvs. pentru mai multe informații.
- Efectuați numai lucrările de întreținere care se regăsesc în acest manual al operatorului.

Operațiile de service mai extinse trebuie efectuate de un agent de service autorizat.

- Puneți-vă mănuși de protecție rezistente atunci când utilizați echipamentul de tăiere. Cuțitul este foarte ascuțit și vă puteți tăia foarte ușor.
- Mențineți tăișurile de tăiere ascuțite și curățate pentru performanță și siguranță optimă.
- Permiteți agentului de service să verifice periodic produsul și să efectueze reglajele și reparațiile necesare.

- Înlocuiți piesele deteriorate, uzate sau defecte.
- Respectați instrucțiunile privind modul de schimbare a accesoriilor. Utilizați numai accesoriile furnizate de producător.
- Atunci când nu este în funcțiune, păstrați produsul, bateria și încărcătorul în interior, într-un loc uscat și încuiat. Asigurați-vă că persoanele neavizate și copiii nu au acces la produs, la baterie sau la încărcător.

## Asamblarea

### Introducere



**AVERTISMENT:** Înainte de a asambla produsul, citiți capitolul privind siguranța.



**AVERTISMENT:** Pentru a preveni pornirea accidentală în timpul asamblării, rotiți cheia de siguranță la 0, scoateți bateria și așteptați minimum 5 secunde.

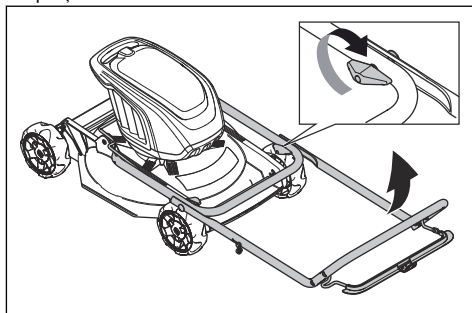
### Pentru a asambla mânerul



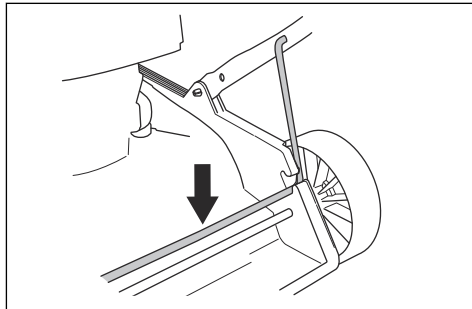
**ATENȚIE:** Nu răsuciți cablurile.

1. Aliniați orificiile de pe mânerul superior cu orificiile de pe mânerul inferior.

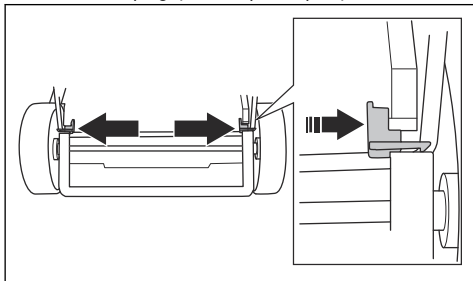
2. Strângeți complet butoanele din dreapta și stânga, și pliați mânerul în sus.



3. Puneți suportul în canelura de pe capacul de tăiere.



4. Atașați cele 2 opritoare care blochează suportul și mânerul. Împingeți-le complet în poziție.



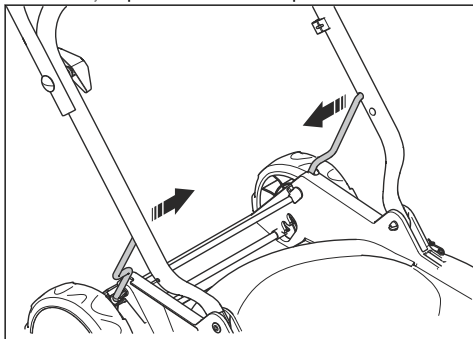
**Nota:** Există 2 opritoare, unul marcat cu H și unul marcat cu V. Puneți opritorul cu H pe partea dreaptă și opritorul cu V pe partea stângă.



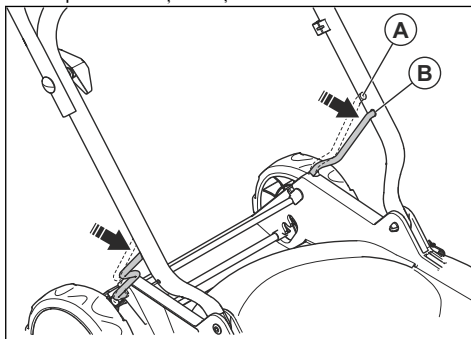
**ATENȚIE:** NU utilizați produsul dacă cele 2 opritoare nu sunt atașate.

## Reglarea înălțimii mânerului

1. Scoateți suportul mânerului de pe mânerul inferior.



- a) Puneți suportul mânerului în orificiul superior (A) pentru a reduce înălțimea mânerului.  
b) Puneți suportul mânerului în orificiul inferior (B) pentru a crește înălțimea mânerului.



## Funcționarea

### Introducere



**AVERTISMENT:** Înainte de a utiliza produsul, trebuie să citiți și să înțelegeți capitolul privind siguranța.

### Husqvarna Connect

Husqvarna Connect este o aplicație gratuită pentru dispozitivul dvs. mobil. Aplicația Husqvarna Connect vă oferă funcții extinse pentru produsul dvs. Husqvarna:

- Informații pe larg despre produs.
- Informații despre piese pentru produse și service și asistență pentru acestea.

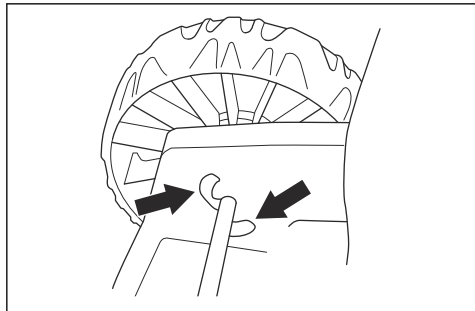
### Pentru a începe să utilizați Husqvarna Connect

1. Descărcați aplicația Husqvarna Connect pe dispozitivul dvs. mobil.
2. Înregistrați-vă în aplicația Husqvarna Connect.
3. Urmăriți pașii cu instrucțiuni din aplicația Husqvarna Connect pentru a conecta și înregistra produsul.



## Pentru a seta înălțimea de tăiere

- Apăsați arborele în afară și mutați-l în poziția corectă pentru fiecare dintre cele 4 roți.



**ATENȚIE:** Nu setați o înălțime de tăiere prea scăzută. Cuițele pot atinge solul dacă suprafața gazonului nu este plană.

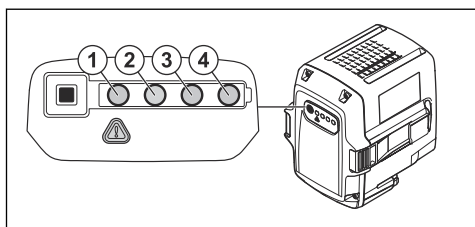
## Bateria



**AVERTISMENT:** Înainte de a utiliza bateria, trebuie să citiți și să înțelegeți capitolul privind siguranța. Trebuie, de asemenea, să citiți și înțelegeți informațiile din manualul operatorului privind bateria și încărcătorul.

## Starea bateriei

Afișajul arată capacitatea rămasă a bateriei și dacă există probleme cu aceasta. Capacitatea bateriei este afișată timp de 5 secunde după ce produsul este oprit sau după ce este apăsat butonul indicatorului. Simbolul de avertisment de pe baterie se aprinde când apare o eroare. Consultați *Bateria la pagina 462*.



Lumini LED	Stare baterie
Toate LED-urile sunt aprinse	Complet încărcată (75 - 100 %)
Sunt aprinse LED-urile 1, 2 și 3	Bateria este încărcată în proporție de 50 - 75 %
Sunt aprinse LED-urile 1 și 2	Bateria este încărcată în proporție de 25 - 50 %

Lumini LED	Stare baterie
Este aprins LED-ul 1	Bateria este încărcată în proporție de 0-25 %
LED-ul 1 se aprinde intermitent	Bateria este descărcată. Încărcați bateria.

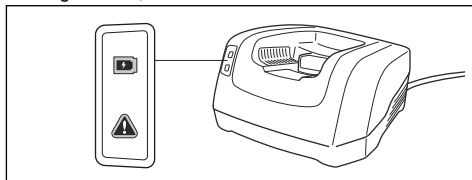
## Încărcarea bateriei

Încărcați bateria înainte de prima utilizare. Bateria este încărcată în proporție de doar 30 % la livrarea către client.

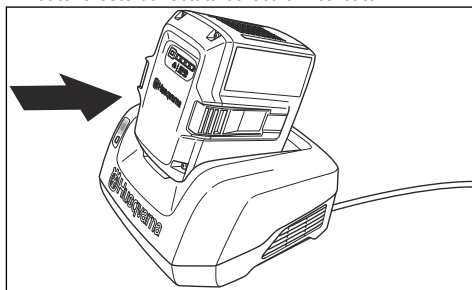
**Nota:** Încărcătorul trebuie conectat la o sursă de alimentare având tensiunea și frecvența specificate pe plăcuța de identificare.

Bateria nu se încarcă dacă temperatura acesteia este mai mare de 50° C. Încărcătorul de baterii reduce temperatura bateriei înainte de a începe încărcarea.

- Conectați un capăt al cablului de alimentare al încărcătorului la mufa acestuia.
- Conectați celălalt capăt al cablului de alimentare al încărcătorului la o priză de curent cu împământare. LED-ul de pe încărcătorul bateriei se aprinde o singură dată, în culoarea verde.



- Introduceți bateria în încărcătorul aferent. Lumina verde de pe încărcător se aprinde atunci când bateria este conectată corect la încărcător.



- Atunci când toate LED-urile de pe baterie sunt aprinse, bateria este încărcată complet. Încărcați bateria timp de maximum 24 de ore.
- Pentru a decupla încărcătorul de baterii de la priză de curent, trageți de ștecher și nu de cablul de alimentare.
- Scoateți bateria din încărcător.

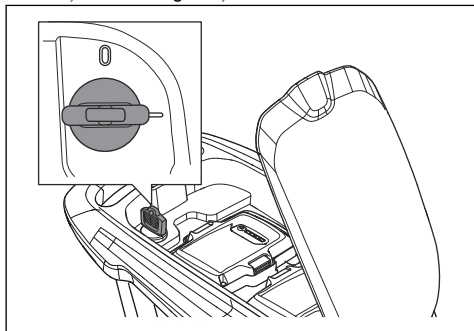
## Nivelul de încărcare a bateriei

O baterie Husqvarna Li-ion poate fi încărcată sau utilizată la toate nivelurile de încărcare. Bateria nu se deteriorează. O baterie complet încărcată nu-și reduce nivelul de încărcare atunci când este lăsată în încărcător.

Afișaj LED	Nivelul de încărcare
LED-ul 1 se aprinde intermitent	0%-25%
LED-ul 1 este aprins, LED-ul 2 se aprinde intermitent	25%-50%
LED-urile 1 și 2 sunt aprinse, LED-ul 3 se aprinde intermitent	50%-75%
LED-urile 1, 2 și 3 sunt aprinse, LED-ul 4 se aprinde intermitent	75%-100%
LED-urile 1, 2, 3 și 4 sunt aprinse	Încărcată complet

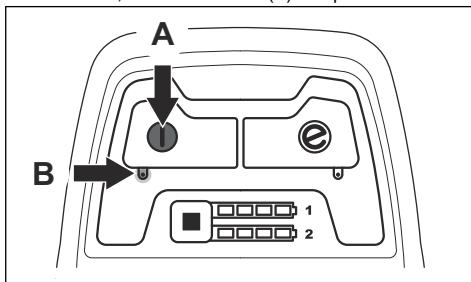
## Pornirea produsului

1. Puneți o baterie încărcată în compartimentul de baterii numărul 1 sub capacul bateriei. Pentru o durată mai lungă de funcționare, puneți a doua baterie încărcată în compartimentul de baterii numărul 2.
2. Rotiți cheia de siguranță la 1.

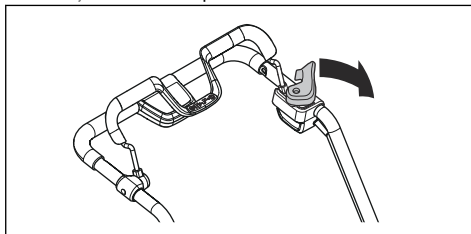


3. Stați în spatele produsului.

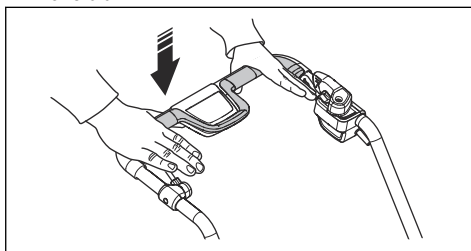
4. Apăsați butonul de pornire/oprire (A) de pe panoul de control, iar LED-ul verde (B) se aprinde.



5. Slăbiți inhibitorul de pornire.



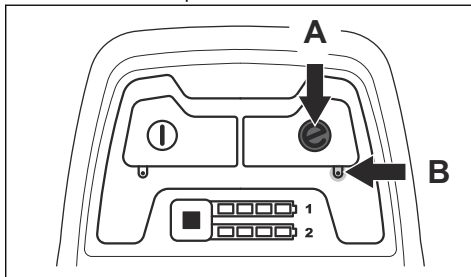
6. Împingeți maneta frânei de motor în direcția mânerului.



## Pentru utilizarea funcției SavE (economisire)

Produsul are o funcție de economisire a bateriei (SavE) care asigură o durată mai lungă de funcționare.

1. Apăsați pe butonul SavE (A) pentru a activa funcția. LED-ul verde se aprinde.



2. Apăsăți din nou pe butonul SavE pentru a dezactiva funcția. LED-ul verde (B) se stinge.

Funcția SavE se dezactivează automat când condițiile la sol impun folosirea de mai multă putere. Funcția SavE se activează automat când condițiile la sol permit acest lucru.

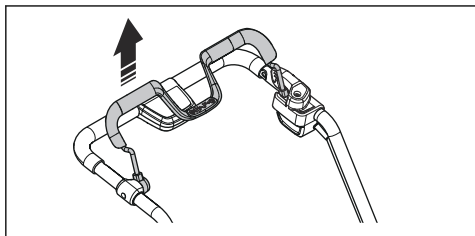
## Funcționarea cu sarcină ridicată

Atunci când produsul taie iarbă lungă sau umedă, motorul își mărește automat turația. Motorul revine la modul standard când sarcina ridicată nu mai este necesară.

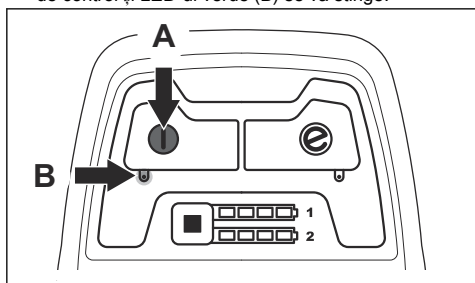
## Oprirea produsului

Produsul se oprește automat dacă nu-l utilizați timp de 10 minute. Rotiți întotdeauna cheia de siguranță la 0 înainte să lăsați produsul să iasă din câmpul vizual.

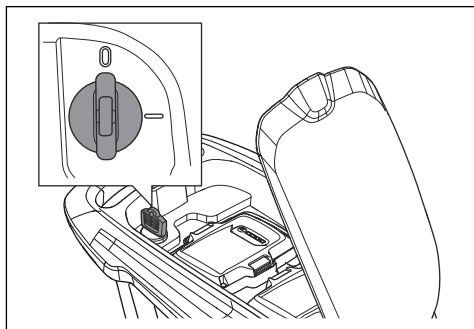
1. Eliberați maneta frânei de motor pentru a opri motorul.



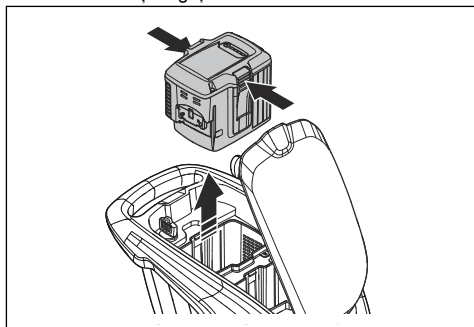
2. Apăsăți butonul de pornire/oprire (A) de pe panoul de control și LED-ul verde (B) se va stinge.



3. Deschideți capacul bateriei și rotiți cheia de siguranță la 0.



4. Pentru a scoate bateria, apăsați cele două butoane de eliberare și trageți bateria în afară.



5. Încărcați bateria dacă este slabă. Pentru mai multe informații, consultați *Încărcarea bateriei la pagina 457*.

## Obținerea rezultatelor bune

- Utilizați întotdeauna o lamă ascuțită. O lamă tocită oferă rezultate neregulate, iar suprafața tăiată a ierbii se îngălbenește. De asemenea, o lamă ascuțită folosește mai puțină energie decât o lamă tocită.
- Nu tăiați niciodată mai mult de  $\frac{1}{3}$  din lungimea ierbii. Inițial, tundeți cu o înălțime mare de tăiere. Verificați rezultatul și coborâți înălțimea de tăiere la un nivel convenabil. Dacă iarba este foarte înaltă, deplasați aparatul încet și tundeți de două ori, dacă este necesar.
- Tăiați de fiecare dată în altă direcție, pentru a preveni formarea de dungi pe gazon.
- Păstrați capacul de tăiere curat. Acumularea de iarbă și murdărie pe partea interioară a capacului de tăiere poate reduce calitatea rezultatului tăierii. Consultați *Curățarea produsului la pagina 460*.

# Întreținerea

## Introducere



**AVERTISMENT:** Înainte de a efectua orice operații de întreținere, citiți și înțelegeți capitolul privind siguranța.

Toate lucrările de service și de reparații la produs necesită instruire specială. Garantăm disponibilitatea unor lucrări profesionale de reparații și service. Dacă distribuitorul dvs. nu este agent de service, solicitați

acestui informații cu privire la cel mai apropiat agent de service.

## Program de întreținere

Intervalele de întreținere sunt calculate având în vedere o utilizare zilnică a produsului. Intervalele se modifică dacă produsul nu este utilizat zilnic.

Pentru operațiile de întreținere marcate cu \*, consultați instrucțiunile din *Dispozitivele de siguranță de pe produs la pagina 451.*

	La fiecare utilizare	Lunar	În fiecare sezon
Efectuați o inspecție generală	X		
Curățați produsul	X		
Verificați inhibitorul de pornire *	X		
Asigurați-vă că dispozitivele de siguranță de pe produs nu sunt defecte *	X		
Examinați echipamentul de tăiere	X		
Examinați capacul de tăiere *	X		
Verificați maneta frânei de motor *	X		
Asigurați-vă că butonul de pornire/oprire funcționează corect și nu este defect	X		
Verificați dacă bateria este deteriorată	X		
Verificați nivelul de încărcare a bateriei	X		
Asigurați-vă că butoanele de eliberare de pe baterie funcționează corect și că bateria este fixată în produs	X		
Verificați dacă încărcătorul de baterii nu prezintă deteriorări și asigurați-vă că funcționează corect.		X	
Examinați conexiunile dintre baterie și produs. Examinați, de asemenea, conexiunea dintre baterie și încărcător.			X

## Pentru a efectua o inspecție generală

- Asigurați-vă că șuruburile și piulițele produsului sunt strânse.
- Asigurați-vă că cablurile de pe produs nu sunt într-o poziție în care să poată fi deteriorate.

## Curățarea produsului

- Curățați componentele din plastic cu o cârpă curată și uscată.
- Nu utilizați apă pentru a curăța produsul. Apa poate pătrunde în baterie sau în motor și poate provoca scurtcircuite sau poate avaria produsul.
- Nu utilizați o instalație de spălare cu presiune ridicată pentru a curăța produsul.

- Nu stropiți niciodată direct motorul cu apă.
- Folosiți o perie pentru a elimina frunzele, iarba și murdăria.

## Pentru a curăța bateria și încărcătorul



**AVERTISMENT:** Nu curățați niciodată bateria sau încărcătorul bateriei cu apă.

- Asigurați-vă că bateria și încărcătorul sunt curate și uscate înainte să introduceți bateria în încărcător.
- Curățați bornele bateriei cu aer comprimat sau cu o cârpă moale și uscată.

- Curățați suprafețele bateriei și încărcătorul cu o cârpă moale și uscată.

## Pentru a examina echipamentul de tăiere



**AVERTISMENT:** Pentru a preveni pornirea accidentală, rotiți cheia de siguranță la 0, scoateți bateria și așteptați cel puțin 5 secunde.



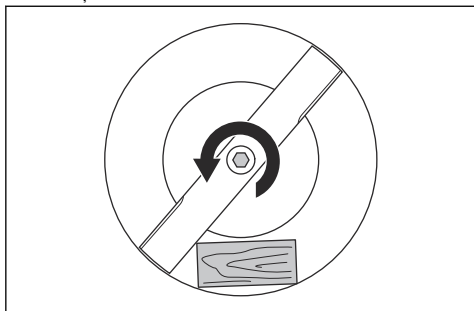
**AVERTISMENT:** Purtați mănuși de protecție când efectuați întreținerea echipamentului de tăiere. Cuțitul este foarte ascuțit și vă puteți tăia foarte ușor.

1. Examinați echipamentul de tăiere pentru a identifica eventuale deteriorări sau crăpături. Înlocuiți întotdeauna un echipament de tăiere deteriorat.
2. Observați cuțitul pentru a vedea dacă este deteriorat sau tocit.

**Nota:** După ascuțirea cuțitului, acesta trebuie echilibrat. Solicitați unui centru de service să ascuță, să monteze la loc și să echilibreze cuțitul. Dacă loviți un obstacol care determină produsul să se oprească, înlocuiți cuțitul deteriorat. Solicitați centrului de service să estimeze dacă lama poate fi ascuțită sau trebuie înlocuită.

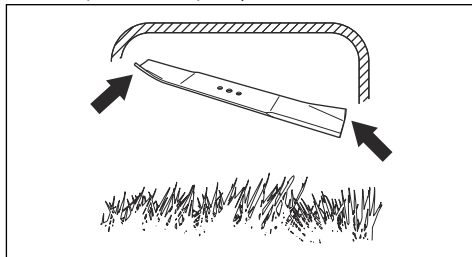
## Pentru a înlocui lama

1. Blocați lama cu o bucată de lemn.

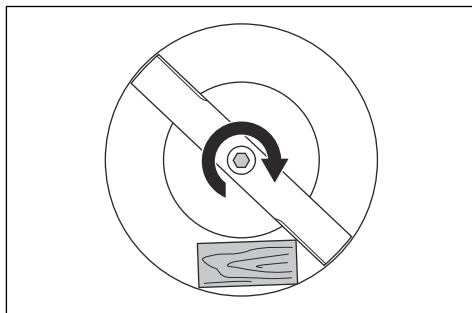


2. Scoateți bolțul cuțitului.

3. Demontați cuțitul.
4. Examinați suportul cuțitului și bolțul acestuia pentru a vedea dacă există deteriorări.
5. Examinați arborele motorului, pentru a vă asigura că nu s-a îndoit.
6. Când montați un cuțit nou, îndreptați capetele oblice ale cuțitului în direcția capacului de tăiere.



7. Asigurați-vă că lama este aliniată cu centrul arborelui motorului.
8. Blocați cuțitul cu o bucată de lemn. Montați șaiba elastică și strângeți bolțul și șaiba la un cuplu de 23–28 Nm.



9. Învârțiți cuțitul cu mâna și asigurați-vă că se rotește liber.



**AVERTISMENT:** Purtați mănuși de protecție rezistente. Cuțitul este foarte ascuțit și vă puteți tăia foarte ușor.

10. Porniți produsul pentru a efectua un test al cuțitului. Dacă acesta nu este fixat corect, produsul vibrează sau rezultatele sunt nesatisfăcătoare.

## Depanarea

### Bateria

LED pe baterie	Cauză	Soluție
LED-ul verde se aprinde intermitent.	Tensiunea bateriei este joasă.	Încărcați bateria. Consultați <i>Încărcarea bateriei la pagina 457</i> .
LED-ul de eroare se aprinde intermitent.	Bateria este slabă.	Încărcați bateria. Consultați <i>Încărcarea bateriei la pagina 457</i> .
	Temperatura din mediul de lucru este prea mare sau prea mică.	Utilizați bateria la temperaturi între -10°C și 40°C.
	Supratensiune.	Asigurați-vă că tensiunea rețelei de alimentare este la fel cu cea indicată pe plăcuța de identificare de pe produs. Scoateți bateria din încărcător. Așteptați 5 secunde și încercați din nou să încărcați bateria. Dacă problema continuă, contactați un agent de service aprobat.
LED-ul de eroare este aprins.	Diferența dintre celule este prea mare (1 V).	Discutați cu un agent de service autorizat.

### Încărcător pentru acumulator

LED-ul de pe încărcătorul de baterii	Cauză	Soluție
LED-ul de eroare se aprinde intermitent.	Temperatura din mediul de lucru este prea mare sau prea mică.	Utilizați încărcătorul de baterii la temperaturi între 5 °C și 40 °C.
LED-ul de eroare este aprins.		Discutați cu un agent de service autorizat.

### Panoul de control

Pentru alte probleme decât cele prezentate în această secțiune, discutați cu agentul de service.

Tastatură	Cod de eroare (număr de aprinderi intermitente)	Erori posibile	Acțiune posibilă
LED-ul de eroare se aprinde intermitent	3	Motorul este supraîncărcat	Măriți înălțimea de tăiere. Consultați <i>Pentru a seta înălțimea de tăiere la pagina 457.</i>
	5	Turația motorului scade prea mult și motorul se oprește	
	10	Controlul motorului este prea fierbinte	Oprii motorul și așteptați până când acesta se răcește
	2	Lama este blocată	Pentru a preveni pornirea accidentală, rotiți cheia de siguranță la 0, scoateți bateria și așteptați cel puțin 5 secunde. Asigurați-vă că cuțitul se poate roti liber. Dacă problema persistă, discutați cu un agent de service autorizat
	9	Eroare la nivelul bateriei sau nu există semnal de la baterie	Instalați bateria corect în produs și examinați conectorul bateriei. Dacă LED de eroare de pe baterie se aprinde intermitent, consultați <i>Bateria la pagina 457.</i>
Produsul se oprește	8	Bateriei este aproape descărcată	Încărcați bateria. Consultați <i>Încărcarea bateriei la pagina 457.</i>
	0	Defecțiune la nivelul conectorului bateriei	Examinați conectorul bateriei

## Transportul, depozitarea și eliminarea

### Introducere



**AVERTISMENT:** Pentru a preveni pornirea accidentală în timpul transportului, rotiți cheia de siguranță la 0, scoateți bateria și așteptați minimum 5 secunde.

### Transportul

- Cerințele din legislația privind bunurile periculoase se aplică pentru bateriile Li-ion incluse.
- Pentru transporturile comerciale cerințele speciale de pe ambalaj și etichete trebuie respectate.
- Respectați cu atenție reglementările privind materialele periculoase atunci când pregătiți produsul pentru transport. Pot exista reglementări locale aplicabile.
- Înainte de transport scoateți întotdeauna bateria.
- Aplicați bandă pe bornele bateriei și asigurați-vă că aceasta nu se poate deplasa în timpul transportului.
- Fixați produsul în timpul transportului.

### Depozitarea

- Înainte de depozitare scoateți întotdeauna bateria.

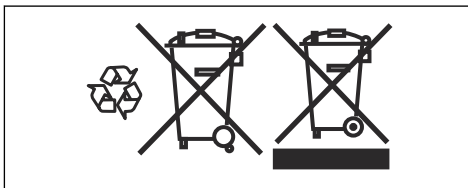
- Pentru a preveni accidentele, asigurați-vă că bateria nu este conectată la produs în timpul depozitării.
- Păstrați încărcătorul într-un spațiu închis și uscat.
- Păstrați bateria și încărcătorul de baterie într-un spațiu uscat unde nu pătrunde umezeala sau înghețul.
- Deconectați bateria de la încărcător în timpul depozitării.
- Nu depozitați bateria într-un loc unde poate apărea electricitatea statică. Nu depozitați bateria într-o cutie metalică.
- Păstrați bateria într-un loc unde temperatura este cuprinsă între 5 °C și 25 °C și departe de lumina soarelui.
- Păstrați încărcătorul de baterii într-un loc unde temperatura este cuprinsă între 5 °C și 45 °C și departe de lumina soarelui.
- Asigurați-vă că bateria este încărcată în proporție de 30 % - 50 % înainte de a o depozita pe o perioadă lungă.
- Păstrați produsul, bateria și încărcătorul de baterii într-un loc încluiat, la care nu au acces copiii și persoanele neavizate.
- Curățați produsul și efectuați un service complet înainte de a depozita produsul pentru o perioadă lungă de timp.

## Dezafectarea

Simbolurile de pe produs sau de pe ambalajul acestuia indică faptul că acest produs nu poate fi tratat ca deșeu menajer. Trebuie trimis la un centru de reciclare corespunzător pentru recuperarea echipamentelor electrice și electronice.

Asigurându-vă că aveți grijă de acest produs în mod corect, puteți contribui la neutralizarea impactului negativ potențial asupra mediului înconjurător și asupra persoanelor; în caz contrar, putând conduce la gestionarea incorectă a deșeurilor acestui produs.

Pentru informații mai detaliate referitoare la reciclarea acestui produs, contactați autoritățile, serviciul pentru deșeurii menajere sau magazinul de unde ați achiziționat produsul.



## Date tehnice

	LB 146i
<b>Motor de tăiere</b>	
Tip de motor	BLDC (fără perii) 36 V
Turația motorului – SavE, rpm	2600
Turația motorului – Valoarea nominală, rpm	3000
Turația motorului – Sarcină ridicată, rpm	3500
Putere motor – Valoare max., kW	1,05
Putere motor – Valoare nominală, kW	0,9
Limită supracurent (Limită curent: 900W-27A)	27 (+/-) 1A
<b>Greutate</b>	
Greutate fără baterie, kg	16,9
<b>Baterie</b> <sup>81</sup>	
Tip de baterie	Serie baterie Husqvarna
<b>Timp funcționare baterie</b>	
Durata de utilizare a bateriei, min, (funcționare liberă) cu funcția SavE activată, cu o baterie Husqvarna de 5,2 Ah (BLi200).	77
Durata de utilizare a bateriei, min, (funcționare liberă) cu modul standard activat, cu o baterie Husqvarna de 5,2 Ah (BLi200).	45
<b>Emisii de zgomot</b> <sup>82</sup>	
Nivel de putere acustică măsurat dB(A)	90
Nivel de putere acustică garantat L <sub>WA</sub> dB(A)	91
<b>Niveluri de zgomot</b> <sup>83</sup>	
Nivel de presiune a sunetului la urechea operatorului, dB (A)	79

<sup>81</sup> Pentru performanță și rezultate optime, este recomandată bateria Husqvarna BLi200.

<sup>82</sup> Emisiile de zgomot în mediu măsurate ca putere acustică (L<sub>WA</sub>) în conformitate cu directiva CE 2000/14/CE.

<sup>83</sup> Datele raportate pentru presiunea nivelului de zgomot prezintă o distribuție statistică tipică (abatere standard) de 1,2 dB(A).



	<b>LB 146i</b>
<b>Niveluri de vibrații</b> <sup>84</sup>	
Mâner, m/s <sup>2</sup>	0,9
<b>Echipament de tăiere</b>	
Înălțime de tăiere, mm	35-70 mm
Lățime de tăiere, cm	46
Lamă	BioClip
Număr articol	5947022-10

Baterii aprobate	Tip	Capacitate baterie, Ah	Tensiune, V	Greutate, lb/kg
BLi20	Litiu-ion	4,0	36	2,6/1,2
BLi200	Litiu-ion	5,2	36	2,8/1,3
BLi300	Litiu-ion	9,4	36	4,2/1,9

Încărcătoarele aprobate pentru bateriile specificate, BLi	Tensiune de intrare, V	Frecvență, Hz	Putere, W
QC80	100-240	50-60	100
QC80F	10-15	N/A	95
QC330	100-240	50-60	330
QC500	100-240	50-60	500
40-C80	100-240	50-60	68,8

<sup>84</sup> Datele raportate pentru nivelul de vibrații prezintă o dispersie statistică tipică (abatere standard) de 0,2 m/s<sup>2</sup>. Standardul privind vibrațiile EN 60335-2-77:2017, capitolul 20.105

---

# Declarație de conformitate CE

---

## Declarație de conformitate CE

**Husqvarna AB**, SE-561 82 Huskvarna, Suedia, tel.:  
+46-36-146500, declară că **mașina pentru tuns gazonul**  
**Husqvarna LB 146i** începând cu anul 2021, respectă  
cerințele DIRECTIVEI CONSILIULUI:

- din 8 iunie 2011 privind „restricțiile de utilizare a anumitor substanțe periculoase” **2011/65/UE**.
- din 17 mai 2006 „referitoare la utilaje” **2006/42/CE**
- din 26 februarie 2014 „referitoare la compatibilitatea electromagnetică” **2014/30/UE**
- din 8 mai 2000 „referitoare la emisiile de zgomot în mediul înconjurător” **2000/14/CE**

Informațiile privind emisiile de zgomot sunt specificate în secțiunea Date tehnice.

Au fost aplicate următoarele standarde:

**EN 60335-1:2012+A11:2014+A13:2017, EN 60335-2-77:2010, EN 62233:2008, EN 55014-1:2017+A11:2020, EN 55014-2:2015, EN IEC 63000:2018**

În absența altor indicații, standardele menționate mai sus reprezintă cele mai recente versiuni publicate.

Organismul notificat: **0404, RISE SMP Svensk Maskinprovning AB, Box 7035, SE-750 07 Uppsala** a efectuat evaluarea conformității potrivit Anexei VI din directiva 2000/14/CE.

Huskvarna, 2021-10-30



Claes Losdal, Director de Dezvoltare/Produse pentru grădină (reprezentant autorizat al Husqvarna AB și responsabil cu documentația tehnică)

## Содержание

Введение.....	467	Поиск и устранение неисправностей.....	486
Безопасность.....	470	Транспортировка, хранение и утилизация.....	488
Сборка.....	480	Технические данные.....	489
Эксплуатация.....	481	Декларация соответствия ЕС.....	491
Техническое обслуживание.....	484		

## Введение

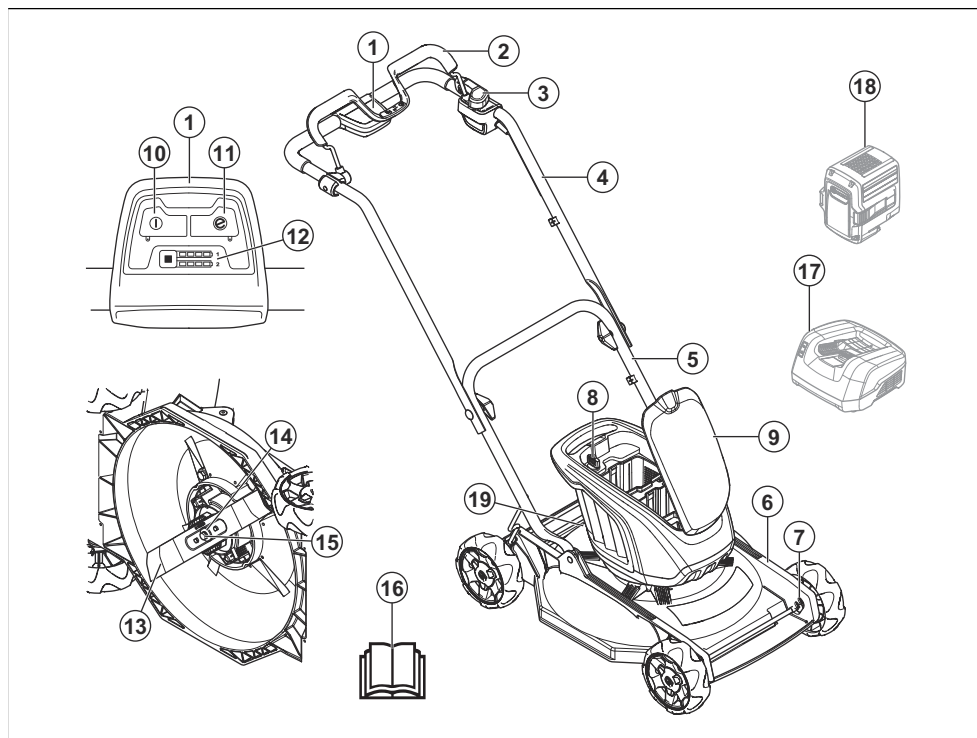
### Описание изделия

Изделие представляет собой пешеходную роторную газонокосилку, которая использует BioClip для измельчения скошенной травы в удобрение.

### Назначение

Используйте изделие для стрижки травы. Запрещается использовать изделие для других видов работ.

### Обзор изделия



- |                                       |   |
|---------------------------------------|---|
| 1. Панель управления                  | 8. Предохранительный ключ                               |
| 2. Рукоятка моторного тормоза         | 9. Крышка аккумулятора                                  |
| 3. Ограничитель запуска               | 10. Кнопка вкл./выкл.                                   |
| 4. Верхняя рукоятка                   | 11. Кнопка SavE   |
| 5. Нижняя рукоятка                    | 12. Индикатор заряда аккумулятора и кнопка аккумулятора |
| 6. Режущая дека                       | 13. Нож   |
| 7. Рычаг регулировки высоты для резки |   |

14. Пружинная шайба
15. Болт ножа
16. Руководство по эксплуатации
17. Зарядное устройство аккумулятора (принадлежность)
18. Аккумулятор (принадлежность)
19. Паспортная табличка с QR-кодом

### Условные обозначения на изделии



**Предупреждение:** Небрежная или неправильная эксплуатация может привести к травме или смерти оператора или других лиц.



Перед началом работы внимательно прочитайте руководство по эксплуатации и убедитесь, что понимаете приведенные в нем инструкции.



Следите за тем, чтобы в зоне проведения работ не было посторонних людей или животных.



Берегитесь отскакивающих предметов и рикошетов.



**Предупреждение:** Не приближайте руки или

ноги к вращающемуся ножу.



**Предупреждение:** Не приближайте руки или ноги к вращающимся частям.



Извлеките предохранительный ключ перед выполнением ремонта или технического обслуживания.



Не оставлять под дождем



Данное изделие и его упаковка не могут быть утилизированы в качестве бытовых отходов. Изделие необходимо передать в пункт переработки электрического и электронного оборудования.



Данное изделие отвечает требованиям соответствующих директив ЕС.



Данное изделие отвечает требованиям соответствующих директив Таможенного союза ЕАЭС.



Данное изделие отвечает требованиям соответствующих директив УкрСЕПРО.



Данное изделие отвечает требованиям соответствующих директив RCM. Применимо только для Австралии/Новой Зеландии



Эмиссия шума в окружающую среду согласно Директиве Европейского Сообщества. Звуковое излучение данного изделия приведено в разделе "Технические данные" и на паспортной табличке.

**IPX1** IPX1 - защита от брызг



Процедура запуска: нажмите кнопку вкл./выкл., разблокируйте ограничитель запуска, прижмите рукоятку моторного тормоза.



Для остановки отпустите рукоятку моторного тормоза.

**Примечание:** Другие символы/наклейки на изделии относятся к специальным требованиям сертификации на определенных рынках.

### Маркировка на агрегате



ОПАСНО: не допускайте контакта с руками и ногами.

### Ответственность изготовителя

В соответствии с законами об ответственности изготовителя мы не несем ответственности за ущерб, вызванный эксплуатацией нашего изделия в результате:

- ненадлежащего ремонта изделия;
- использования для ремонта изделия неоригинальных деталей или деталей, не одобренных производителем;
- использования неоригинальных дополнительных принадлежностей или

- принадлежностей, не одобренных производителем;
- ремонта изделия в неавторизованном

сервисном центре или неквалифицированным специалистом;

---

## Безопасность

---

### Инструкции по технике безопасности

Предупреждения, предостережения и примечания используются для выделения особо важных пунктов руководства.



#### **ПРЕДУПРЕЖДЕНИЕ:**

Используется, когда несоблюдение инструкций руководства может привести к травмам или смерти оператора или находящихся рядом посторонних лиц.



#### **ВНИМАНИЕ:**

Используется, когда несоблюдение инструкций руководства может привести к повреждению изделия, других материалов или прилегающей территории.

**Примечание:** Используется для предоставления дополнительных сведений о конкретной ситуации.

### Общие инструкции по технике безопасности



**ПРЕДУПРЕЖДЕНИЕ:** В обязательном порядке прочитайте следующие инструкции по технике безопасности, прежде чем приступить к эксплуатации изделия.

- При небрежном или неправильном обращении изделие может оказаться опасным инструментом. Несоблюдение инструкций по технике безопасности может привести к травмам или смерти.
- Во время работы данное изделие создает электромагнитное поле. В определенных обстоятельствах это поле

может создавать помехи для пассивных и активных медицинских имплантатов. В целях снижения риска серьезной или смертельной травмы лицам с медицинскими имплантатами рекомендуется проконсультироваться с врачом и изготовителем имплантата, прежде чем приступить к эксплуатации данного изделия.

- Будьте всегда осторожны и руководствуйтесь здравым смыслом. Если вы не уверены, как правильно эксплуатировать изделие в определенной ситуации, прекратите работу и проконсультируйтесь со своим дилером Husqvarna, прежде чем продолжить.
- Помните: ответственность за аварии, угрожающие другим людям или их имуществу, несет оператор.
- Содержите изделие в чистоте. Следите за тем, чтобы знаки и наклейки были легко читаемыми.
- Ни в коем случае не позволяйте использовать оборудование детям или лицам, не ознакомившимся с данными инструкциями.

Допустимый возраст пользователя может быть ограничен местным законодательством

- Не оставляйте без присмотра людей с физическими или умственными нарушениями, использующих изделие. Они должны постоянно находиться под присмотром взрослого.
- Ни в коем случае не используйте изделие, если вы устали, больны или находитесь под воздействием спиртного, наркотических веществ или лекарственных препаратов. Это может повлиять на ваше зрение, реакцию, координацию или оценку действительности.
- Запрещается использовать изделие, если оно повреждено.
- Запрещается вносить в изделие модификации или использовать изделие, если вы подозреваете, что в его конструкцию внесены изменения другими лицами.

## Техника безопасности на рабочем месте



**ПРЕДУПРЕЖДЕНИЕ:** В обязательном порядке прочитайте следующие инструкции по технике безопасности, прежде чем приступать к эксплуатации изделия.

- Уберите ветви, сучья, камни и прочие посторонние предметы из рабочей зоны перед началом эксплуатации изделия.
- Предметы, ударяющиеся о режущий инструмент, могут быть отброшены, что приведет к травмам или повреждению имущества. Следите за тем, чтобы посторонние лица и животные находились на безопасном расстоянии от изделия.
- Ни в коем случае не используйте изделие при неблагоприятных погодных условиях, например, в туман, дождь, при сильном ветре, низких температурах и риске удара молнии. Эксплуатация изделия при плохих погодных условиях или на сырых участках утомительна. Плохие погодные условия могут создавать опасные условия для работы, например, скользкие поверхности.
- Следите за возможным появлением посторонних лиц, предметов или условий, которые могут препятствовать безопасной эксплуатации изделия.
- Следите за возможным появлением препятствий, таких как корни, камни, сучья, ямы или рвы. Высокая трава может скрывать препятствия.
- Стрижка травы на склоне может представлять опасность. Не выполняйте стрижку на особо крутых склонах. Запрещается использовать изделие на участках с уклоном более 15°.
- При смене направления движения на склоне проявляйте повышенную осторожность. Используйте изделие поперек поверхности склона. Не передвигайтесь вверх и вниз по поверхности склона.
- Проявляйте особую осторожность при приближении к скрытым из



видимости поворотам или предметам, которые могут затруднять обзор.

## Техника безопасности



**ПРЕДУПРЕЖДЕНИЕ:** В обязательном порядке прочитайте следующие инструкции по технике безопасности, прежде чем приступить к эксплуатации изделия.

- Изделие предназначено исключительно для скашивания травы на газонах. Запрещается использовать изделие не по назначению.
- Пользуйтесь средствами индивидуальной защиты. См. раздел *Средства индивидуальной защиты на стр. 474*.
- Убедитесь, что вы знаете, как быстро остановить двигатель в аварийной ситуации.
- Запрещается эксплуатировать изделие под дождем или в условиях высокой влажности. При попадании воды внутрь агрегата повышается риск поражения электрическим током.
- Ни в коем случае не используйте изделие с отсутствующими или неправильно установленными кожухами или ножом. Неправильно установленный нож может высвободиться и причинить травму.
- Следите за тем, чтобы в нож не попали посторонние предметы, например, камни и корни. Это может затупить нож и привести к искривлению вала двигателя. При сгибании оси увеличивается уровень вибрации, что может привести к снижению надежности крепления ножа.
- В случае столкновения ножа с посторонним предметом или возникновения вибрации незамедлительно остановите изделие. Остановите двигатель, поверните предохранительный ключ в положение "0" и снимите аккумулятор. Проверьте изделие на наличие повреждений. Выполните ремонт повреждений или обратитесь в авторизованный сервисный центр для выполнения ремонта.

- Во время работы двигателя не прижимайте рукоятку моторного тормоза к рукоятке агрегата на длительный период времени.
- При запуске изделие должно находиться на устойчивой, ровной поверхности. Убедитесь, что нож не касается грунта или любого другого предмета.
- При работе с изделием всегда стойте сзади.
- При работе с изделием все колеса должны стоять на земле; держите рукоятку обеими руками. Не приближайте руки или ноги к вращающимся ножам.
- Запрещается наклонять изделие во время работы двигателя.
- Соблюдайте осторожность, когда тянете изделие назад.
- Запрещается поднимать изделие во время работы двигателя. В случае необходимости поднять изделие сначала выключите двигатель, поверните предохранительный ключ в положение "0" и извлеките аккумулятор.
- Запрещается двигаться назад при работе с изделием.
- Останавливайте двигатель при пересечении не покрытых травой зон, например, дорожек из гравия, камня или асфальта.
- Запрещается бегать с изделием во время работы двигателя. Работайте с изделием в спокойном темпе.
- Выключайте двигатель, прежде чем изменить высоту стрижки. Ни в коем случае не выполняйте регулировку при работающем двигателе.
- Ни в коем случае не выпускайте из вида изделие с работающим двигателем. Остановите двигатель и убедитесь, что режущее оборудование не вращается.

Инструкции по безопасности во время эксплуатации

### Средства индивидуальной защиты



**ПРЕДУПРЕЖДЕНИЕ:** В обязательном порядке прочитайте следующие инструкции по технике безопасности, прежде

## чем приступить к эксплуатации изделия.

- Средства индивидуальной защиты не могут полностью исключить риск получения травмы, но при несчастном случае они снижают тяжесть травмы. За помощью по правильному выбору оборудования обращайтесь к дилеру.
- Используйте прочные, противоскользящие ботинки. Запрещается надевать открытую обувь или работать босиком.
- Надевайте прочные длинные брюки.
- При необходимости надевайте защитные перчатки, например, при креплении, проверке или очистке режущего оборудования.

### Защитные устройства на изделии



**ПРЕДУПРЕЖДЕНИЕ:** В обязательном порядке прочитайте следующие инструкции по технике безопасности, прежде чем приступить к эксплуатации изделия.

- Запрещается использовать изделие с неисправными защитными устройствами.
- Регулярно выполняйте проверку защитных устройств. Если защитные устройства неисправны, обратитесь в сервисный центр Husqvarna.

### Проверка режущей деки

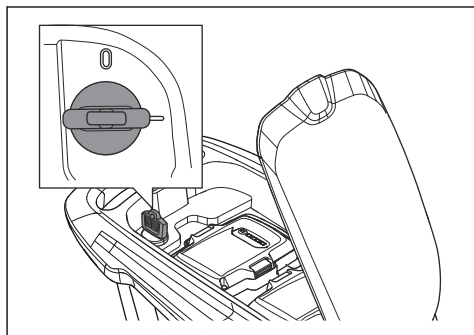
Режущая дека снижает уровень вибрации изделия и риск травмирования ножом.

- Проверьте режущую деку и убедитесь, что на ней отсутствуют повреждения, такие как трещины.

### Предохранительный ключ

Предохранительный ключ расположен под крышкой аккумулятора. Он подключает аккумулятор, от которого на двигатель поступает питание.

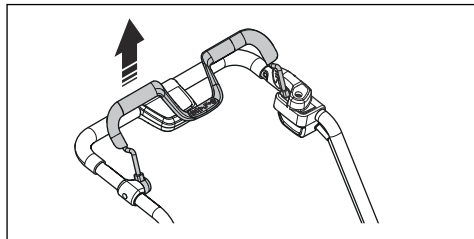
- Чтобы проверить работу предохранительного ключа, запустите и остановите двигатель.
- Если ключ исправен, то двигатель можно запустить только при переводе ключа в положение "1".



### Рукоятка моторного тормоза

Рукоятка моторного тормоза предназначена для остановки двигателя. При отпускании рукоятки тормоза двигатель останавливается.

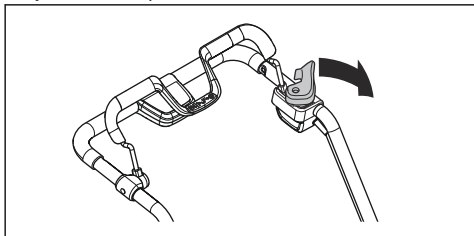
Чтобы проверить моторный тормоз, запустите двигатель, а затем отпустите рукоятку тормоза. Если двигатель не остановится через 3 секунды, обратитесь в авторизованный сервисный центр Husqvarna для регулировки моторного тормоза.



### Проверка ограничителя запуска

Проверьте ограничитель запуска и убедитесь, что он блокирует работу двигателя.

1. Прижмите рукоятку моторного тормоза в направлении рукоятки агрегата. Ограничитель запуска остановит движение рукоятки.
2. Поверните ограничитель запуска в направлении, указанном стрелкой.



3. Разблокируйте ограничитель запуска и убедитесь, что он возвращается в исходное положение.

## Техника безопасности при работе с аккумулятором



**ПРЕДУПРЕЖДЕНИЕ:** В обязательном порядке прочитайте следующие инструкции по технике безопасности, прежде чем приступить к эксплуатации изделия.

- Риск поражения электрическим током. Не допускайте соприкосновения клемм аккумулятора с ключами, монетами, винтами или другими металлическими предметами. Это может привести к короткому замыканию аккумулятора.
  - Не размещайте посторонние предметы на воздухозаборниках аккумулятора.
  - Аккумулятор не должен подвергаться воздействию солнечного света, тепла или открытого пламени. Аккумулятор может взорваться, став причиной ожогов, в том числе химических.
  - Защищайте аккумулятор от дождя и сырости.
  - Не подвергайте аккумулятор воздействию микроволн и высокого давления.
  - Не пытайтесь разбирать или ломать аккумулятор.
  - При возникновении утечки из аккумулятора не допускайте попадания жидкости на кожу или в глаза. Если вы прикоснулись к жидкости, промойте участок контакта большим количеством воды
- Используйте перезаряжаемые аккумуляторы Husqvarna только с теми изделиями Husqvarna, для которых они предназначены. Во избежание травм запрещается использовать аккумулятор в качестве источника питания других агрегатов.
  - Запрещается использовать одноразовые аккумуляторы.

- и обратитесь за медицинской помощью.
- Используйте аккумулятор при температуре в диапазоне от -10°C до 40°C.
  - Очистка аккумулятора или зарядного устройства водой запрещена. См. раздел *Очистка аккумулятора и зарядного устройства на стр. 485*.
  - Запрещается использовать неисправный или поврежденный аккумулятор.
  - Храните аккумуляторы вдали от металлических предметов, таких как гвозди, монеты или ювелирные изделия.

## Техника безопасности при работе с зарядным устройством аккумулятора



**ПРЕДУПРЕЖДЕНИЕ:** В обязательном порядке прочитайте следующие инструкции по технике безопасности, прежде чем приступить к эксплуатации изделия.

- Риск поражения электрическим током или короткого замыкания. Не размещайте посторонние предметы на воздухозаборниках зарядного устройства. Не пытайтесь разбирать зарядное устройство. Ни в коем случае не подключайте клеммы зарядного устройства к металлическим предметам. Используйте одобренные сетевые розетки.
  - Во время работы данное изделие создает электромагнитное поле. В определенных обстоятельствах это поле может создавать помехи для пассивных и активных медицинских имплантатов. В целях снижения риска серьезной или смертельной травмы лицам с медицинскими имплантатами рекомендуется проконсультироваться с врачом и изготовителем имплантата, прежде чем приступить к эксплуатации данного изделия.
  - Регулярно проверяйте кабель питания зарядного устройства.
- Для зарядки перезаряжаемых аккумуляторов Husqvarna используйте только зарядные устройства QC.

устройства на наличие повреждений или трещин.

- Не поднимайте зарядное устройство за кабель питания. Для отсоединения зарядного устройства от сетевой розетки потяните за вилку. Не тяните за кабель питания.
- Не допускайте контакта кабеля питания и удлинителя с водой, маслом или с острыми краями. Убедитесь, что кабель не передавлен дверью, калиткой и т.д. В противном случае зарядное устройство может оказаться под напряжением.
- Запрещается чистить аккумулятор и зарядное устройство водой.
- Дети старше 8 лет и лица с ограниченными физическими, сенсорными или умственными способностями или недостатком опыта и знаний могут использовать зарядное устройство только под надзором или в случае предоставления инструкций относительно безопасной эксплуатации оборудования и возможных рисков. Не позволяйте детям играть с зарядным устройством.

Очистка и техническое обслуживание пользователем не должны проводиться детьми без надзора.

- Не пытайтесь заряжать одноразовые аккумуляторные батареи в зарядном устройстве.
- Запрещается использовать зарядное устройство вблизи легковоспламеняющихся материалов и материалов, которые вызывают коррозию. Не накрывайте зарядное устройство. Вытащите вилку зарядного устройства из розетки в случае появления дыма или огня.
- Запрещается использовать неисправное или поврежденное зарядное устройство.
- Заряжайте аккумулятор только в хорошо проветриваемом помещении вдали от солнечных лучей. Запрещается заряжать аккумулятор в условиях высокой влажности.

## Инструкции по технике безопасности во время технического обслуживания



**ПРЕДУПРЕЖДЕНИЕ:** В обязательном порядке прочитайте следующие инструкции по технике безопасности, прежде чем приступать к эксплуатации изделия.

- Во избежание случайного запуска во время обслуживания поверните предохранительный ключ в положение "0" и извлеките аккумулятор. Подождите не менее 5 секунд, прежде чем приступить к обслуживанию.
- Чтобы продлить срок службы агрегата и снизить вероятность несчастных случаев, соблюдайте все требования к проведению обслуживания. Для проведения ремонта обратитесь в авторизованный сервисный центр. Для получения дополнительной информации обратитесь в ближайшее представительство компании.
- Выполняйте техобслуживание строго в соответствии с инструкциями, приведенными в руководстве по эксплуатации. Более расширенное обслуживание выполняется авторизованной сервисной мастерской.
- При работе с режущим оборудованием используйте прочные перчатки. Нож очень острый, что при неосторожном обращении может легко привести к порезам.
- Для повышения качества и безопасности работы регулярно затачивайте и чистите режущие края инструмента.
- Регулярно обращайтесь в сервисный центр для проверки изделия и выполнения необходимой регулировки и ремонта.
- Замените поврежденные, сломанные или изношенные детали.
- Соблюдайте указания по замене принадлежностей. Пользуйтесь только оригинальными принадлежностями.

- Храните изделие, аккумулятор и зарядное устройство по отдельности в сухом помещении под замком. Не допускайте к

изделию, аккумулятору и зарядному устройству детей и лиц, не имеющих соответствующего разрешения.

## Сборка

### Введение



**ПРЕДУПРЕЖДЕНИЕ:** Прежде чем выполнять сборку изделия, прочитайте раздел, посвященный технике безопасности.



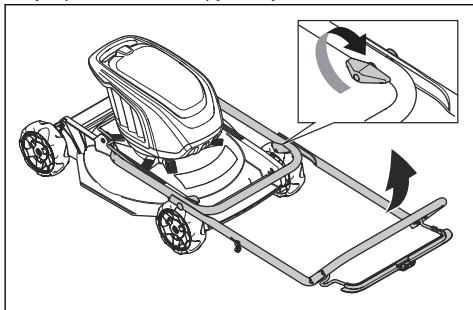
**ПРЕДУПРЕЖДЕНИЕ:** Во избежание случайного запуска во время сборки переведите предохранительный ключ в положение "0", извлеките аккумулятор и подождите не менее 5 секунд.

### Сборка рукоятки

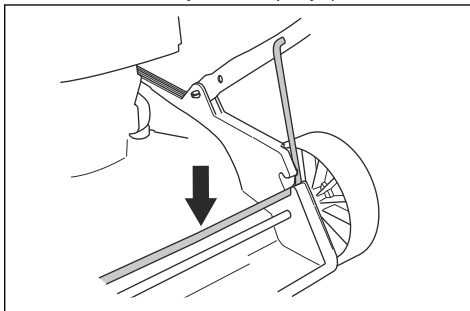


**ВНИМАНИЕ:** Не перекручивайте кабели.

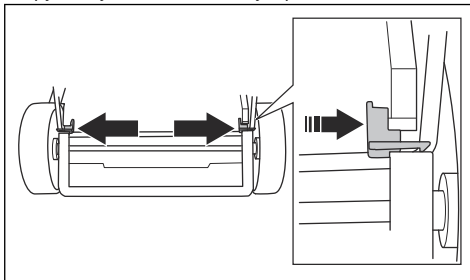
1. Совместите отверстия верхней рукоятки с отверстиями нижней рукоятки.
2. Затяните ручки с правой и левой стороны до упора и поднимите рукоятку.



3. Установите стойку в паз на режущей деке.



4. Установите 2 стопора, фиксирующих стойку и рукоятку. Вставьте их до упора.



**Примечание:** В комплект входят 2 стопора, обозначенные как H и V соответственно. Установите стопор с меткой H с правой стороны, а стопор с меткой V — с левой стороны.

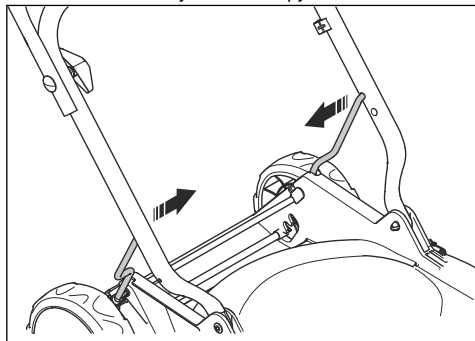


**ВНИМАНИЕ:** Использовать изделие без установки обоих стопоров запрещено.



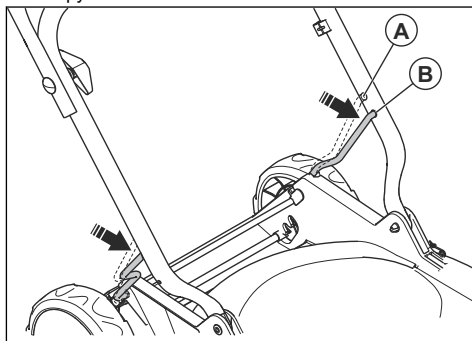
## Регулировка высоты рукоятки

1. Извлеките стойку из нижней рукоятки.



a) Установите стойку рукоятки в верхнее отверстие (А), чтобы уменьшить высоту рукоятки.

b) Установите стойку рукоятки в нижнее отверстие (В), чтобы увеличить высоту рукоятки.



## Эксплуатация

### Введение



**ПРЕДУПРЕЖДЕНИЕ:** Перед эксплуатацией прибора необходимо внимательно изучить раздел безопасности.

### Husqvarna Connect

Husqvarna Connect представляет собой бесплатное приложение для мобильного устройства. Приложение Husqvarna Connect позволяет пользоваться расширенными функциями вашего изделия Husqvarna:

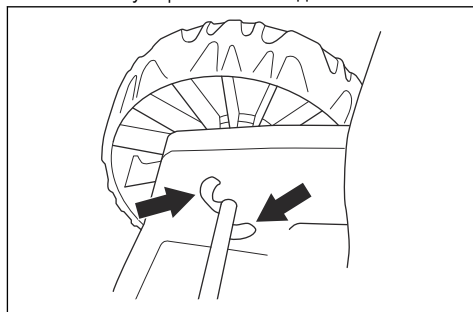
- Дополнительная информация об изделии.
- Сведения о деталях и помощь в техническом обслуживании.

### Как начать использовать Husqvarna Connect

1. Загрузите приложение Husqvarna Connect на свое мобильное устройство.
2. Зарегистрируйтесь в приложении Husqvarna Connect.
3. Выполните пошаговые инструкции в приложении Husqvarna Connect для подключения и регистрации изделия.

### Регулировка высоты стрижки

- Высвободите вал и переместите его в соответствующее положение для всех 4 колес.



**ВНИМАНИЕ:** Не устанавливайте высоту стрижки слишком низко. Ножи могут ударяться о землю, если поверхность газона неровная.

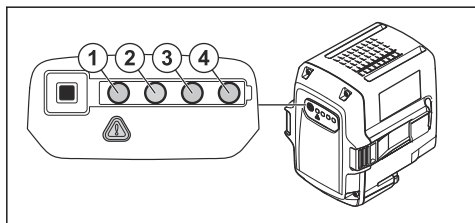
### Аккумулятор



**ПРЕДУПРЕЖДЕНИЕ:** Перед эксплуатацией аккумулятора ознакомьтесь с разделом, посвященным безопасности, и усвойте его содержание. Прочтите и усвойте также все сведения, приведенные в руководстве по эксплуатации аккумулятора и зарядного устройства.

## Состояние аккумулятора

Дисплей отображает оставшуюся емкость аккумулятора и наличие в нем неисправностей. Емкость аккумулятора отображается на дисплее в течение 5 секунд после отключения агрегата или после нажатия кнопки-индикатора аккумулятора. Предупреждающий знак на аккумуляторе загорается в случае возникновения ошибки. См. раздел *Аккумулятор на стр. 486*.



Светодиодные индикаторы	Состояние аккумулятора
Все светодиоды горят	Аккумулятор полностью заряжен (75-100 %).
Светодиоды 1, 2, 3 горят.	Заряд аккумулятора — 50-75 %.
Светодиоды 1, 2 горят.	Заряд аккумулятора — 25-50 %.
Светодиод 1 горит.	Заряд аккумулятора — 0-25 %.
Светодиод 1 мигает.	Аккумулятор разряжен. Зарядите аккумулятор.

## Зарядка аккумулятора

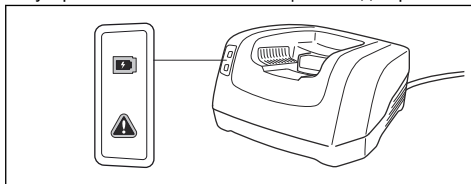
Зарядите аккумулятор перед первым использованием. Поставляемый аккумулятор заряжен только на 30%.

**Примечание:** Подсоединяйте зарядное устройство к сети питания с напряжением и частотой, указанными на паспортной табличке.

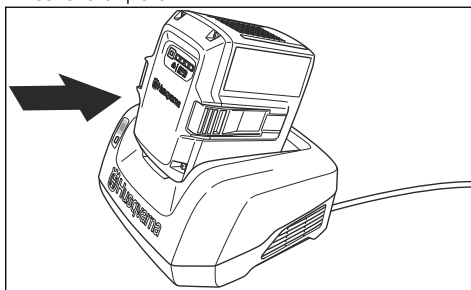
Зарядка не выполняется, если температура аккумулятора превышает 50°C. Прежде чем начать зарядку, зарядное устройство охлаждает аккумулятор до приемлемой температуры.

1. Вставьте один конец силового кабеля зарядного устройства в гнездо зарядного устройства.

2. Второй конец силового кабеля зарядного устройства вставьте в заземленную розетку сети электропитания. Светодиод на зарядном устройстве мигнет зеленым цветом один раз.



3. Вставьте аккумулятор в зарядное устройство. При правильном подключении аккумулятора к зарядному устройству загорается индикатор зеленого цвета.



4. Когда на аккумуляторе загорятся все светодиоды, это означает полную зарядку. Длительность зарядки аккумулятора не должна превышать 24 часа.
5. Чтобы отсоединить зарядное устройство от розетки, потяните не за кабель, а за штекер.
6. Извлеките аккумулятор из зарядного устройства.

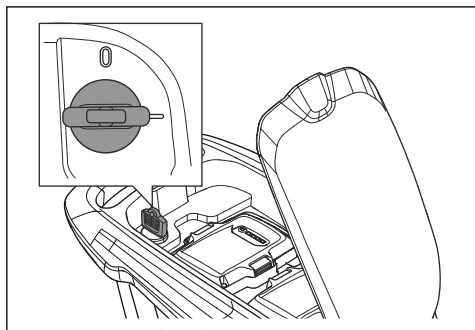
## Состояние зарядки аккумулятора

Литий-ионный аккумулятор Husqvarna можно заряжать и использовать при любом уровне зарядки. Это не приведет к повреждению аккумулятора. Полностью заряженный аккумулятор не разряжается, даже если оставить его в зарядном устройстве.

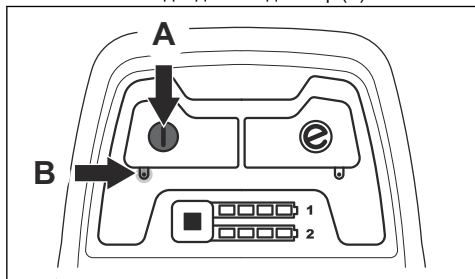
Светодиодный дисплей	Состояние процесса зарядки
Светодиод 1 мигает.	0%-25%
Светодиод 1 горит, светодиод 2 мигает.	25%-50%
Светодиоды 1, 2 горят, светодиод 3 мигает.	50%-75%
Светодиоды 1, 2, 3 горят, светодиод 4 мигает.	75%-100%
Горят светодиоды 1, 2, 3, 4	Полный уровень заряда

## Запуск изделия

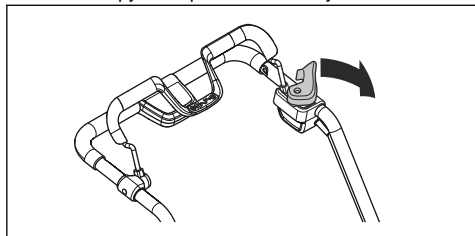
1. Вставьте заряженный аккумулятор в аккумуляторный отсек 1 под крышкой аккумулятора. Чтобы продлить время работы, вставьте второй заряженный аккумулятор в аккумуляторный отсек 2.
2. Переведите предохранительный ключ в положение "1".



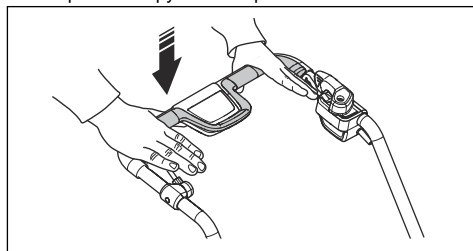
3. Стойте сзади изделия.
4. Нажмите кнопку вкл./выкл. (A) на панели управления, после чего должен загореться зеленый светодиодный индикатор (B).



5. Разблокируйте ограничитель запуска.



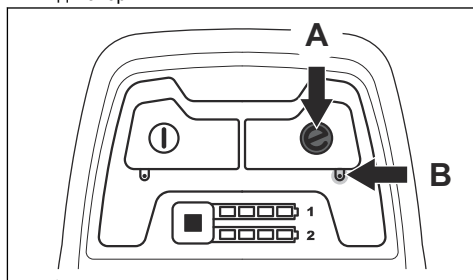
6. Прижмите рукоятку моторного тормоза в направлении рукоятки агрегата.



## Использование функции SavE

На агрегате предусмотрена функция экономии ресурса аккумулятора (SavE), которая продлевает время работы.

1. Чтобы включить эту функцию, нажмите кнопку SavE (A). Загорается зеленый светодиодный индикатор.



2. Чтобы отключить эту функцию, повторно нажмите кнопку SavE. Зеленый светодиодный индикатор (B) гаснет.

Функция SavE автоматически отключается в тех случаях, когда условия работы требуют более высокой мощности агрегата. Функция SavE автоматически включается при наличии соответствующих условий работы.

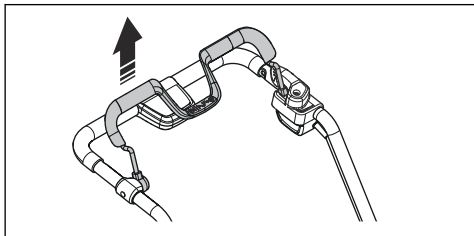
## Функция высокой нагрузки

При стрижке высокой или влажной травы двигатель автоматически увеличивает число оборотов. Когда необходимость в высокой нагрузке отпадает, двигатель возвращается в стандартный режим работы.

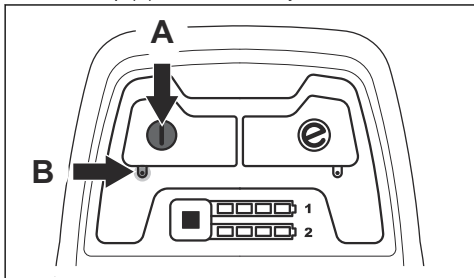
## Остановка изделия

Если изделие не используется в течение 10 минут, оно автоматически выключается. Прежде чем оставить изделие без присмотра, обязательно переведите предохранительный ключ в положение "0".

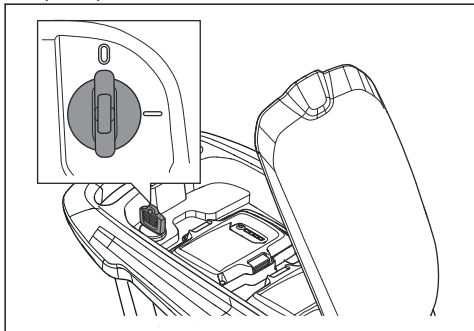
1. Отпустите рукоятку моторного тормоза, чтобы остановить двигатель.



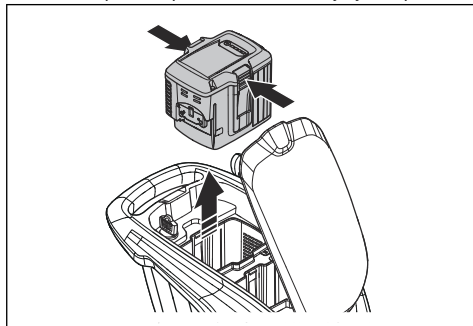
2. Нажмите кнопку вкл./выкл. (A) на панели управления, после чего зеленый светодиодный индикатор (B) должен погаснуть.



3. Откройте крышку аккумулятора и поверните предохранительный ключ в положение "0".



4. Чтобы извлечь аккумулятор, нажмите на две кнопки фиксатора и извлеките аккумулятор.



5. Зарядите аккумулятор с низким уровнем зарядки. Для получения дополнительных сведений см. раздел *Зарядка аккумулятора на стр. 482.*

## Достижение оптимальных результатов

- Всегда пользуйтесь хорошо заточенным ножом. Затупившийся нож будет стричь траву неровно, и в месте среза трава будет желтеть. При использовании острого ножа также затрачивается меньше энергии, чем при работе с затупившимся ножом.
- Не срезайте более  $\frac{1}{3}$  всей длины травы. Выполните первую стрижку на большей высоте. Проверьте полученный результат и уменьшите высоту стрижки до необходимого уровня. Если трава высокая, передвигайте газонокосилку медленно и, при необходимости, используйте газонокосилку 2 раза.
- Если вы хотите избежать образования полос на вашем газоне, следует каждый раз стричь его в разных направлениях.
- Следите за чистотой режущей деки. Скопление травы и грязи на внутренней стороне режущей деки может привести к ухудшению качества кошения. См. раздел *Очистка изделия на стр. 485.*

## Техническое обслуживание

### Введение



**ПРЕДУПРЕЖДЕНИЕ:** Перед выполнением техобслуживания необходимо внимательно изучить и понять раздел безопасности.

Для выполнения любых работ по сервисному обслуживанию и ремонту изделия необходимо пройти специальное обучение. Мы гарантируем доступность услуг по профессиональному ремонту и сервисному обслуживанию. Если ваш дилер не

занимается сервисным обслуживанием, обратитесь к нему для получения информации о ближайшем сервисном центре.

### График технического обслуживания

График технического обслуживания рассчитан исходя из ежедневного использования изделия. Если изделие не используется ежедневно, интервалы техобслуживания изменятся.

Информацию о техническом обслуживании, отмеченном знаком \*, см. в инструкциях в *Защитные устройства на изделии на стр. 475.*

	При каждом использовании	Ежемесячно	Каждый сезон
Выполните общий осмотр	X		
Очистите изделие	X		
Проверьте работу ограничителя запуска *	X		
Убедитесь, что защитные устройства агрегата исправны *	X		
Проверьте режущее оборудование	X		
Проверьте режущую деку *	X		
Проверьте рукоятку моторного тормоза *	X		
Проверьте работу и состояние кнопки вкл./выкл.	X		
Проверьте аккумулятор на наличие повреждений	X		
Проверьте зарядку аккумулятора	X		
Проверьте работу кнопок фиксатора и надежность установки аккумулятора в агрегат	X		
Проверьте состояние и правильность работы зарядного устройства.		X	
Проверьте соединения между аккумулятором и агрегатом. Проверьте также соединения между аккумулятором и зарядным устройством.			X

## Выполнение общего осмотра

- Проверьте затяжку гаек и винтов на изделии.
- Убедитесь, что расположение кабелей не допускает возможности их повреждения.

## Очистка изделия

- Очистите пластмассовые детали чистой и сухой тканью.
- Не используйте воду для очистки изделия от загрязнений. Попадание воды в аккумулятор или двигатель может вызвать короткое замыкание или повредить изделие.
- Не используйте моечный агрегат высокого давления для очистки изделия.
- Не направляйте струю воды непосредственно на двигатель.
- Используйте щетку для удаления листьев, травы и грязи.

## Очистка аккумулятора и зарядного устройства



**ПРЕДУПРЕЖДЕНИЕ:** Очистка аккумулятора или зарядного устройства водой запрещена.

- Прежде чем устанавливать аккумулятор в зарядное устройство, убедитесь, что аккумулятор и зарядное устройство чистые и сухие.
- Используйте для очистки клемм аккумулятора сжатый воздух или мягкую и сухую ткань.
- Очистите поверхности аккумулятора и зарядного устройства мягкой и сухой тканью.

## Проверка режущего оборудования



**ПРЕДУПРЕЖДЕНИЕ:** Во избежание случайного запуска переведите предохранительный ключ в положение "0", извлеките аккумулятор и подождите не менее 5 секунд.



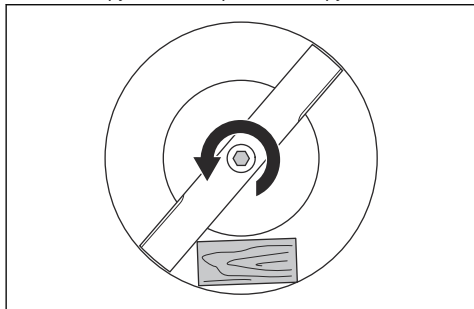
**ПРЕДУПРЕЖДЕНИЕ:** Надевайте защитные перчатки при техобслуживании режущего оборудования. Нож очень острый, что при неосторожном обращении может легко привести к порезам.

1. Проверьте режущее оборудование на наличие повреждений или трещин. Всегда заменяйте поврежденное режущее оборудование.
2. Осмотрите нож на наличие повреждений или следов притупления.

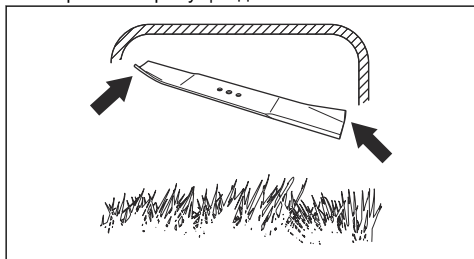
**Примечание:** После заточки ножа необходимо выполнить его балансировку. Обратитесь в сервисный центр для выполнения заточки, замены и балансировки ножа. При столкновении с препятствием, которое привело в остановке изделия, замените поврежденный нож. Сервисный центр должен определить, следует ли заточить нож или лучше его заменить.

## Замена ножа

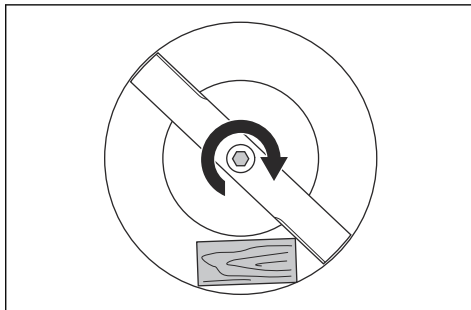
1. Заблокируйте нож деревянным бруском.



2. Снимите болт ножа.
3. Снимите нож.
4. Проверьте опору и болт ножа на наличие повреждений.
5. Осмотрите вал двигателя на наличие деформаций.
6. При установке нового ножа находящиеся под углом края должны быть обращены в направлении режущей деки.



7. Убедитесь, что нож выставлен по центру вала двигателя.
8. Заблокируйте нож деревянным бруском. Установите пружинную шайбу и затяните болт с шайбой моментом 23–28 Нм.



9. Проверьте нож рукой и убедитесь, что он свободно вращается.



### ПРЕДУПРЕЖДЕНИЕ:

Используйте прочные перчатки. Нож очень острый, что при неосторожном обращении может легко привести к порезам.

10. Запустите изделие, чтобы проверить работу ножа. Если нож установлен неправильно, вы ощутите вибрацию изделия, или результат стрижки будет неудовлетворительным.

## Поиск и устранение неисправностей

### Аккумулятор

Светодиодный индикатор аккумулятора	Причина	Решение
Мигает зеленый светодиодный индикатор.	Низкое напряжение аккумулятора.	Зарядите аккумулятор. См. раздел <i>Зарядка аккумулятора на стр. 482</i> .

Светодиодный индикатор аккумулятора	Причина	Решение
Мигает светодиодный индикатор ошибки.	Слишком низкий заряд аккумулятора.	Зарядите аккумулятор. См. раздел <i>Зарядка аккумулятора на стр. 482.</i>
	Слишком высокая или слишком низкая температура окружающей среды.	Используйте аккумулятор при температуре в диапазоне от -10°C до 40°C.
	Перегрузка по напряжению.	Убедитесь, что напряжение в сети соответствует значению, указанному на паспортной табличке изделия.  Извлеките аккумулятор из зарядного устройства. Подождите 5 секунд и снова попытайтесь зарядить аккумулятор. Если неисправность не устранена, обратитесь в авторизованный сервисный центр.
Горит светодиодный индикатор ошибки.	Слишком большая разница в напряжении элементов (1 В).	Обратитесь в авторизованный сервисный центр.

## Зарядное устройство

Светодиод на зарядном устройстве аккумулятора	Причина	Решение
Мигает светодиодный индикатор ошибки.	Слишком высокая или слишком низкая температура окружающей среды.	Используйте зарядное устройство при температуре в диапазоне от 5°C до 40°C.
Горит светодиодный индикатор ошибки.		Обратитесь в авторизованный сервисный центр.

## Панель управления

При возникновении неисправностей, не указанных в данном разделе, обратитесь в авторизованный сервисный центр.

Кнопочная панель	Код ошибки (количество миганий)	Возможные неисправности	Возможные действия
Мигает светодиод ошибки	3	Перегрузка двигателя	Увеличьте высоту стрижки. См. раздел <i>Регулировка высоты стрижки на стр. 481.</i>
	5	Слишком низкая частота вращения двигателя привела к остановке двигателя	
	10	Слишком высокая температура системы управления двигателем	Остановите двигатель и подождите, пока он остынет
	2	Нож заблокирован	Во избежание случайного запуска переведите предохранительный ключ в положение "0", извлеките аккумулятор и подождите не менее 5 секунд. Убедитесь, что нож свободно вращается. Если неисправность не устранена, обратитесь в авторизованный сервисный центр
	9	Ошибка аккумулятора или отсутствие сигнала от аккумулятора	Установите аккумулятор в агрегат надлежащим образом и проверьте разъем аккумулятора. Если на аккумуляторе мигает светодиод ошибки, см. раздел <i>Аккумулятор на стр. 481.</i>
Изделие останавливается	8	Слишком низкий заряд аккумулятора	Зарядите аккумулятор. См. раздел <i>Зарядка аккумулятора на стр. 482.</i>
	0	Неисправность разъема аккумулятора	Осмотрите разъем аккумулятора

## Транспортировка, хранение и утилизация

### Введение



**ПРЕДУПРЕЖДЕНИЕ:** Во избежание случайного запуска во время транспортировки переведите предохранительный ключ в положение "0", извлеките аккумулятор и подождите не менее 5 секунд.

- Перед транспортировкой всегда извлекайте аккумулятор.
- Заклейте разъемы аккумулятора лентой и закрепите аккумулятор таким образом, чтобы во время транспортировки он не мог сместиться.
- Надежно закрепите изделие на время транспортировки.

### Транспортировка

- На литий-ионные аккумуляторы в комплекте изделия распространяются требования, предъявляемые к опасным товарам.
- Соблюдайте специальные требования к перевозке коммерческим транспортом, указанные на упаковке и ярлыках.
- При подготовке изделия к транспортировке тщательно выполняйте все требования, предъявляемые к опасным веществам. Могут также применяться требования местного законодательства.

### Хранение

- Перед транспортировкой всегда извлекайте аккумулятор.
- Во избежание несчастных случаев при помещении изделия на хранение убедитесь, что в нем нет аккумулятора.
- Храните зарядное устройство в закрытом и сухом помещении.
- Храните аккумулятор и зарядное устройство в сухом отапливаемом помещении.
- Храните аккумулятор отдельно от зарядного устройства.
- Не допускается хранение аккумулятора в местах, где возможно возникновение статического



электричества. Нельзя хранить аккумулятор в металлической коробке.

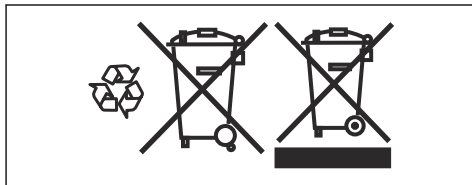
- Храните аккумулятор при температуре в пределах от 5°C до 25°C и не подвергайте воздействию прямых солнечных лучей.
- Храните зарядное устройство при температуре в пределах от 5°C до 45°C и не подвергайте воздействию прямых солнечных лучей.
- Перед помещением аккумулятора на длительное хранение убедитесь, что он заряжен до 30-50%.
- Храните изделие, аккумулятор и зарядное устройство в запечатом помещении, вне доступа детей и лиц, не имеющих соответствующего разрешения.
- Перед помещением изделия на длительное хранение очистите его от загрязнений и проведите полное обслуживание.

## Утилизация

Обозначения на изделии или его упаковке указывают, что данное изделие не может быть

утилизировано в качестве бытовых отходов. Оно должно быть передано в соответствующий пункт для переработки электрического и электронного оборудования.

Обеспечив надлежащую утилизацию данного изделия, вы можете предотвратить потенциальное отрицательное влияние на окружающую среду и здоровье людей, которое иначе могло быть последствием неправильной утилизации. Более подробную информацию о переработке данного изделия получите в Городском управлении, у службы, занимающейся переработкой бытовых отходов либо в магазине, где вы приобрели изделие.



## Технические данные

	<b>LB 146i</b>
<b>Мотор привода ножей</b>	
Тип двигателя	Двигатель постоянного тока BLDC (бесщеточный), 36 В
Частота вращения двигателя - SavE, об/мин	2600
Частота вращения двигателя - номинальная, об/мин	3000
Частота вращения двигателя - высокая нагрузка, об/мин	3500
Мощность двигателя – макс., кВт	1,05
Мощность двигателя – номинальная, кВт	0,9
Ограничение перегрузки по току (ограничение тока: 900W-27A)	27 (+/-) 1A
<b>Вес</b>	
Вес без аккумулятора, кг	16,9
<b>Аккумулятор</b> <sup>85</sup>	
Тип аккумулятора	Аккумуляторная серия Husqvarna
<b>Рабочий цикл аккумулятора</b>	
Время непрерывной работы аккумулятора, минуты, (на холостом ходу) с включенной функцией SavE, с одним аккумулятором Husqvarna 5,2 А·ч (BLi200).	77

<sup>85</sup> Для достижения оптимальных результатов и надежной производительности рекомендуется использовать аккумулятор Husqvarna BLi200.

	<b>LB 146i</b>
Время непрерывной работы аккумулятора, минуты, (на холостом ходу) в стандартном режиме, с одним аккумулятором Husqvarna 5,2 А·ч (BLi200).	45
<b>Излучение шума</b> <sup>86</sup>	
Уровень мощности звука, измеренный, дБ(А)	90
Уровень мощности звука, гарантированный L <sub>WA</sub> , дБ(А)	91
<b>Уровни шума</b> <sup>87</sup>	
Уровень шумового давления на уши оператора, дБ(А)	79
<b>Уровни вибрации</b> <sup>88</sup>	
На ручке, м/с <sup>2</sup>	0,9
<b>Режущее оборудование</b>	
Высота стрижки, мм	35-70 мм
Ширина резки, см	46
Нож	BioClip
Артикул	5947022-10

Рекомендованные аккумуляторы	Тип	Емкость аккумулятора, А·ч	Напряжение, В	Масса, фунт / кг
BLi20	Литий-ионный	4,0	36	2,6/1,2
BLi200	Литий-ионный	5,2	36	2,8/1,3
BLi300	Литий-ионный	9,4	36	4,2/1,9

Рекомендованные зарядные устройства для указанных аккумуляторов, BLi	Входное напряжение, В	Частота, Гц	Мощность, Вт
QC80	100-240	50-60	100
УРОВЕНЬ ЗАРЯДА	10-15	Неприменимо	95
УРОВЕНЬ ЗАРЯДА	100-240	50-60	330
QC500	100-240	50-60	500
40-C80	100-240	50-60	68,8

<sup>86</sup> Излучение шума в окружающую среду измеряется как мощность звука (L<sub>WA</sub>) согласно директиве ЕС 2000/14/ЕС.

<sup>87</sup> Указанные данные об уровне шумового давления имеют типичный статистический разброс (стандартное отклонение) в 1,2 дБ (А).

<sup>88</sup> Указанные данные об уровне вибрации имеют типичный статистический разброс (стандартное отклонение) 0,2 м/с<sup>2</sup>. Вибрация согласно стандарту EN 60335-2-77:2017 раздел 20.105

---

# Декларация соответствия ЕС

---

## Декларация соответствия ЕС

**Husqvarna AB**, SE-561 82 Huskvarna, Швеция, тел.: +46-36-146500, настоящим заявляет, что **газонокосилка Husqvarna LB 146i** 2021 года выпуска и далее соответствует требованиям ДИРЕКТИВЫ СОВЕТА ЕС:

- от 8 июня 2011 года "об ограничении по использованию опасных веществ" **2011/65/EU**
- от 17 мая 2006 года "о механическом оборудовании" **2006/42/EC**
- от 26 февраля 2014 года "об электромагнитной совместимости" **2014/30/EU**
- от 8 мая 2000 года "об излучении шума в окружающую среду" **2000/14/EC**

Информация по излучению шума представлена в разделе "Технические данные".

Применяются следующие стандарты:

**EN 60335-1:2012+A11:2014+A13:2017, EN 60335-2-77:2010, EN 62233:2008, EN 55014-1:2017+A11:2020, EN 55014-2:2015, EN IEC 63000:2018**

Если не указано иначе, подразумевается последняя опубликованная редакция стандартов.

Уполномоченная организация: **0404, RISE SMP Svensk Maskinprovning AB, Box 7035, SE-750 07 Uppsala** произвела оценку соответствия согласно приложению VI к Директиве 2000/14/ЕС.

Huskvarna, 2021-10-30



Клаес Лосдал (Claes Losdal), директор Отдела разработки/Садовая техника (Уполномоченный представитель Husqvarna AB и ответственный за техническую документацию)

141400, Московская обл., Г. Химки, ул. Ленинградская, владение 39, строение 6, здание II этаж 4, помещение OB02\_04, телефон горячей линии 8-800-200-1689

## Obsah

Úvod.....	492	Riešenie problémov.....	508
Bezpečnosť.....	494	Preprava, skladovanie a likvidácia.....	510
Montáž.....	502	Technické údaje.....	511
Prevádzka.....	503	ES vyhlásenie o zhode.....	513
Údržba.....	506		

## Úvod

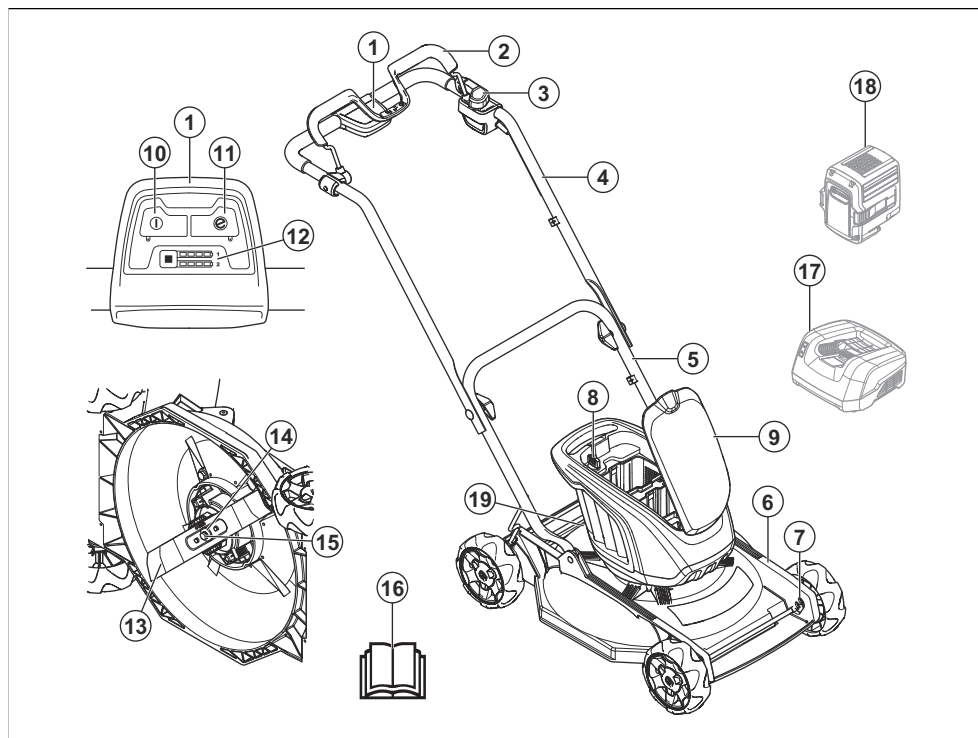
### Popis výrobku

Tento výrobok je rotačná kosačka na trávu s chodiacou obsluhou využívajúca zárazku BioClip, ktorá trávu naseká tak, aby sa dala použiť ako hnojivo.

### Plánované použitie

Produkt používajte na kosenie trávy. Výrobok nepoužívajte na iné účely.

### Prehľad výrobku



1. Ovládací panel
2. Rukoväť motorovej brzdy
3. Poistka naštartovania
4. Vrchná rukoväť
5. Spodná rukoväť
6. Kryt rezacej časti
7. Ovládač výšky rezu

8. Bezpečnostný kľúč
9. Kryt akumulátora
10. Vypínač
11. Tlačidlo Save
12. Indikátor nabitia batérie a tlačidlo batérie
13. Nôž
14. Perová podložka

15. Skrutka čepele
16. Návod na obsluhu
17. Nabíjačka batérie (príslušenstvo)
18. Batéria (príslušenstvo)
19. Výkonový štítok s kódom QR

## Symbyly na výrobku



Upozornenie: Neopatrné alebo nesprávne používanie môže spôsobiť zranenie alebo usmrtenie obsluhy alebo iných osôb.



Skôr než začnete produkt používať, pozorne si prečítajte návod na obsluhu a dôsledne sa oboznámte s pokynmi.



Dbajte na to, aby osoby a zvieratá nevstupovali do pracovnej oblasti.



Dávajte pozor na vymrštené predmety a spätné nárazy.



Upozornenie: Udržiavajte ruky a chodidlá mimo dosahu rotujúceho noža.



Upozornenie: Udržiavajte ruky a chodidlá mimo dosahu rotujúcich častí.



Pred vykonávaním opravných prác alebo údržby vyberte bezpečnostný kľúč.



Nevystavujte dažďu



Výrobok alebo jeho obal nepredstavuje komunálny odpad. Recyklujte ho v recyklačnej stanici určenej pre elektrické a elektronické zariadenia.



Tento produkt je v súlade s príslušnými smernicami EÚ.



Tento produkt je v súlade s príslušnými smernicami Euroázijskej colnej únie.



Tento produkt je v súlade s príslušnými smernicami UkrSEPRO.



Tento výrobok je v súlade s príslušnými smernicami RCM. Platí iba pre AU a NZ.



Hlukové emisie do okolia sú v súlade so smernicou Európskeho spoločenstva. Emisie výrobu sú

špecifikované v kapitole s technickými údajmi tohto návodu a na štítku.

## IPX1 IPX1 – ochrana proti kvapkajúcej vode



Postup štartovania: stlačte vypínač, uvoľnite poistku na štartovania a potlačte rukoväť motorovej brzdy nadol.



Zastavte uvoľnením rukoväti motorovej brzdy.

**Poznámka:** Ostatné symboly/emblémy na výrobku odkazujú na zvláštne požiadavky certifikácie pre určité trhy.

### Štítok na výrobku



NEBEZPEČENSTVO – Udržiavajte ruky a chodidlá v dostatočnej vzdialenosti.

## Zodpovednosť za výrobok

V súlade s právnymi predpismi upravujúcimi zodpovednosť za výrobok nenesieme zodpovednosť za škody spôsobené naším výrobkom v dôsledku:

- nesprávne vykonanej opravy výrobku,
- opravy výrobku, pri ktorej neboli použité diely od výrobcu alebo diely schválené výrobcom,
- používania príslušenstva od iného výrobcu alebo príslušenstva, ktoré nie je schválené výrobcom,
- opravy výrobku, ktoré neboli vykonané v schválenom servisnom stredisku alebo schválenými kompetentnými osobami.

---

## Bezpečnosť

---

### Bezpečnostné definície

Výstrahy, upozornenia a poznámky slúžia na

zdôraznenie mimoriadne dôležitých častí návodu.



**VÝSTRAHA:** Používa sa, ak pre obsluhu alebo osoby v okolí existuje nebezpečenstvo poranenia alebo smrti v prípade nedodržania pokynov v návode.

---



**VAROVANIE:** Používa sa, ak hrozí nebezpečenstvo poškodenia produktu, iných materiálov alebo okolitej oblasti v prípade nedodržania pokynov v návode.

---

**Poznámka:** Používa sa na poskytnutie informácií nad rámec nevyhnutných informácií v danej situácii.

---

## Všeobecné bezpečnostné pokyny

---



**VÝSTRAHA:** Skôr než budete výrobok používať, prečítajte si nasledujúce výstrahy.

---

- Tento výrobok je nebezpečný, ak sa nepoužíva správne alebo ak nie ste pri jeho používaní opatrní. V prípade nedodržania bezpečnostných

pokynov hrozí poranenie alebo usmrtenie.

- Tento výrobok vytvára počas prevádzky elektromagnetické pole. Toto pole môže za určitých okolností spôsobovať rušenie aktívnych alebo pasívnych implantovaných lekárskeho prístrojov. Na zníženie rizika vážneho alebo smrteľného zranenia odporúčame, aby sa osoby s implantovanými lekárskeho prístrojmi poradili so svojím lekárom a výrobcom pomôcky ešte pred použitím tohto výrobku.
- Vždy zachovávajte opatrnosť a riadte sa zdravým úsudkom. Ak si v určitých situáciách nie ste istí, ako máte výrobok používať, výrobok nepoužívajte a pred pokračovaním v práci sa poraďte s predajcom spoločnosti Husqvarna.
- Myslite na to, že operátor bude zodpovedný za nehody zahŕňajúce iné osoby alebo ich majetok.
- Výrobok udržiavajte čistý. Uistite sa, že sú symboly a emblémy čitateľné.
- Nikdy nedovoľte používať zariadenie deťom ani osobám, ktoré sa neoboznámili

s návodom na používanie.

Miestne predpisy môžu obmedzovať vek používateľa

- Osoby so zníženými fyzickými alebo duševnými schopnosťami musia byť počas používania výrobku vždy pod dozorom. Vyžaduje sa neustála prítomnosť zodpovednej dospeljej osoby.
- Výrobok nepoužívajte, ak ste unavení, chorí alebo ste pod vplyvom alkoholu, drog alebo liekov. Vyššie uvedené prípady majú negatívny vplyv na váš zrak, ostražitosť, koordináciu a úsudok.
- Výrobok nepoužívajte, ak je poškodený.
- Výrobok žiadnym spôsobom neupravujte ani nepoužívajte, ak existuje možnosť, že bol upravený inými osobami.

## Bezpečnosť na pracovisku



**VÝSTRAHA:** Skôr než budete výrobok používať, prečítajte si nasledujúce výstrahy.

- Pred používaním výrobku odstráňte z pracovnej oblasti všetky predmety, ako sú napr. konáre, vetvy a kamene.
- Predmety, ktoré narazia na rezné zariadenie, môžu byť

vymrštené a spôsobiť poranenie osôb alebo poškodenie iných predmetov.

Dávajte pozor, aby okolo stojace osoby a zvieratá nevstupovali do pracovnej oblasti.

- Výrobok nikdy nepoužívajte počas nepriaznivých poveternostných podmienok, napríklad v hmle, v daždi, v silnom vetre, v silnom mraze, pri vysokom riziku blýskania. Používanie výrobku počas nepriaznivých poveternostných podmienok alebo na vlhkých alebo mokrých miestach je namáhavé. Nepriaznivé poveternostné podmienky môžu mať za následok vznik nebezpečných podmienok, akými sú napr. klzké povrchy.
- Dávajte pozor na osoby, predmety a situácie, ktoré môžu zamedziť bezpečnej prevádzke výrobku.
- Dávajte pozor na prekážky, ako sú napr. korene, kamene, halúzky, jamy a priekopy. Vysoká tráva môže zakrývať prekážky.
- Kosenie trávy na svahoch môže byť nebezpečné. Nesnažte sa kosiť mimoriadne strmé svahy. Výrobok



nepoužívajte na svahoch so sklonom viac ako 15°

- Pri zmene smeru jazdy na svahoch dávajte mimoriadny pozor. S výrobkom sa pohybujte po vrstevnici. Nepohybujte sa smerom do svahu a zo svahu.
- V blízkosti skrytých rohov a objektov, ktoré vám bránia vo výhľade, sa pohybujte opatrne.

## Bezpečnosť pri práci



**VÝSTRAHA:** Skôr než budete výrobok používať, prečítajte si nasledujúce výstrahy.

- Tento výrobok používajte len na kosenie trávy. Výrobok sa nesmie používať na iné úlohy.
- Používajte osobné ochranné pomôcky. Pozrite si časť *Osobné ochranné prostriedky na strane 498*.
- Naučte sa, ako v prípade núdze rýchlo zastaviť motor.
- Výrobok nepoužívajte na daždi alebo vlhkých miestach. V prípade preniknutia vody do výrobku sa zvyšuje riziko zásahu elektrickým prúdom.
- Výrobok nepoužívajte, pokiaľ nie sú nôž a všetky kryty správne upevnené. Nesprávne

pripojený nôž sa môže uvoľniť a spôsobiť poranenia osôb.

- Uistite sa, že nôž nenarazí na predmety, ako sú napr. kamene alebo korene. Môže dôjsť k poškodeniu noža a ohnutiú hriadeľa motora. Ohnutá náprava spôsobuje silné vibrácie a vzniká veľké nebezpečenstvo uvoľnenia noža.
- Ak nôž narazí na predmet alebo ak cítite vibrácie, výrobok okamžite vypnite. Zastavte motor, otočte bezpečnostný kľúč do polohy 0 a odstráňte batériu. Skontrolujte, či nie je výrobok poškodený. Opravte akékoľvek poškodenie alebo kontaktujte servisného zástupcu.
- Keď je naštartovaný motor, rukoväť motorovej brzdy nesmie byť nikdy trvalo pripevnená k rukoväti.
- Položte výrobok na stabilný, rovný povrch a naštartujte ho. Uistite sa, že sa nôž nedostane do kontaktu so zemou alebo inými predmetmi.
- Pri obsluhu vždy stojte za výrobkom.
- Pri obsluhu výrobku dávajte pozor, aby všetky kolesá dosadali na zem a rukoväť držte oboma rukami.

Udržiavajte ruky a chodidlá mimo dosahu rotujúcich nožov.

- Keď je motor spustený, výrobok nenakláňajte.
- Pri ťahaní výrobku smerom dozadu buďte opatrní.
- Výrobok nikdy nedvíhajte, keď je spustený motor. Ak výrobok musíte zdvihnúť, najskôr zastavte motor, otočte bezpečnostný kľúč do polohy 0 a odstráňte batériu.
- Počas obsluhy výrobku necúvajte.
- Pri prechádzaní cez oblasti bez trávy, ako sú napr. štrkové, kamenné a asfaltové chodníky, vypnite motor.
- Keď je zapnutý motor, s výrobkom neutekajte. Počas obsluhy výrobku vždy kráčajte.
- Pred zmenou výšky rezu zastavte motor. Nikdy nevykonávajte nastavenia so spusteným motorom.
- Nikdy nenechávajte výrobok bez dozoru, keď je zapnutý motor. Zastavte motor a uistite sa, že sa rezná zariadenie neotáča.

## Bezpečnostné pokyny pre prevádzku

### Osobné ochranné prostriedky

---



**VÝSTRAHA:** Skôr než budete výrobok používať, prečítajte si nasledujúce výstrahy.

---

- Osobné ochranné prostriedky nedokážu úplne vylúčiť riziko, ale môžu znížiť vážnosť zranenia v prípade nehody. Váš predajca vám pomôže pri výbere správnych prostriedkov.
- Noste odolné protišmykové topánky. Výrobok neobsluhujte v otvorených topánkach ani s bosými nohami.
- Noste dlhé odolné nohavice.
- Keď je to potrebné, používajte ochranné rukavice, ako napríklad pri montáži, kontrole alebo čistení rezného zariadenia.

### Bezpečnostné zariadenia na výrobku

---



**VÝSTRAHA:** Skôr než budete produkt používať, prečítajte si nasledujúce výstrahy.

---

- Nepoužívajte produkt, ktorý má chybné bezpečnostné zariadenia.
- Pravidelne kontrolujte bezpečnostné zariadenia. Ak sú bezpečnostné zariadenia chybné, obráťte sa na servisného zástupcu spoločnosti Husqvarna.

### Kontrola krytu rezacej časti

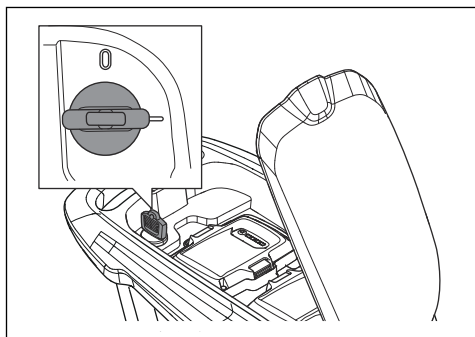
Kryt rezacej časti tlmi vibrácie vo výrobku a znižuje riziko poranenia kotúčom.

- Skontrolujte kryt rezacej časti, aby ste sa uistili, že na ňom nie sú žiadne známky poškodenia, ako sú napr. praskliny.

### Bezpečnostný kľúč

Bezpečnostný kľúč sa nachádza pod krytom batérie. Bezpečnostný kľúč slúži na pripojenie batérie, ktorá napája motor.

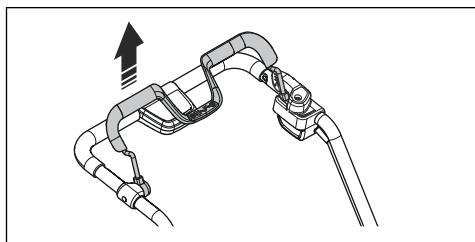
- Pred vykonaním kontroly bezpečnostného kľúča naštartujte a vypnite motor.
- Ak bezpečnostný kľúč funguje správne, motor sa môže spustiť iba vtedy, keď je bezpečnostný kľúč v polohe 1.



### Rukoväť motorovej brzdy

Rukoväť motorovej brzdy slúži na zastavenie motora. Keď rukoväť motorovej brzdy uvoľníte, motor sa zastaví.

Ak chcete motorovú brzdú skontrolovať, naštartujte motor a potom uvoľnite rukoväť motorovej brzdy. Ak sa motor v priebehu 3 sekúnd nezastaví, požiadajte servisného zástupcu spoločnosti Husqvarna o nastavenie motorovej brzdy.

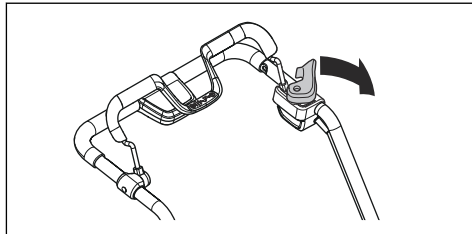


### Kontrola poistky naštartovania

Skontrolujte poistku naštartovania, aby ste sa uistili, že zabraňuje prevádzke motora.

1. Potlačte páku pohonu smerom k hornej rukoväti. Poistka naštartovania zastaví pohyb.

2. Zatlačte poistku naštartovania smerom von.



3. Uvoľnite poistku naštartovania a uistite sa, že sa vráti do svojej pôvodnej polohy.

## Bezpečnosť batérie



**VÝSTRAHA:** Skôr než budete výrobok používať, prečítajte si nasledujúce výstrahy.

- Ako napájací zdroj používajte nabíjateľné batérie Husqvarna len pre výrobky typu Husqvarna. V prípade iných zariadení nepoužívajte batériu ako zdroj napájania, aby ste zabránili riziku zranenia.
- Nepoužívajte nenabíjateľné batérie.
- Nebezpečenstvo zásahu elektrickým prúdom. Nepripájajte konektory batérie ku kľúčom, minciam, skrutkám ani k iným kovovým predmetom. Môže dôjsť k skratu batérie.
- Do vetracích otvorov batérie nekladajte žiadne predmety.
- Batériu nevystavuje priamemu slnečnému žiareniu, teplu ani otvorenému ohňu. Batéria

môže vybuchnúť a spôsobiť popálenie alebo poľptanie.

- Batériu nevystavuje dažďu ani vlhku.
- Batériu nevystavuje mikrovlnnému žiareniu ani vysokému tlaku.
- Nepokúšajte sa rozoberať ani rozdrviť batériu.
- V prípade úniku kvapaliny z batérie zabráňte zasiahnutiu pokožky a očí kvapalinou. V prípade kontaktu s kvapalinou umyte zasiahnutú oblasť veľkým množstvom vody a vyhľadajte lekársku pomoc.
- Batériu používajte v prostredí, v ktorom sa teplota pohybuje od  $-10\text{ }^{\circ}\text{C}$  do  $40\text{ }^{\circ}\text{C}$ .
- Batériu ani nabíjačku batérií nečistite vodou. Pozrite si časť *Čistenie batérie a nabíjačky batérií na strane 507.*
- Nepoužívajte chybnú ani poškodenú batériu.
- Batérie uchovávajte v bezpečnej vzdialenosti od kovových predmetov, ako sú napr. klince, mince, šperky.

## Bezpečnosť nabíjačky batérií



**VÝSTRAHA:** Skôr než budete výrobok

používať, prečítajte si nasledujúce výstrahy.

- Na nabíjanie náhradných batérií Husqvarna používajte len nabíjačky batérií QC.
- Riziko zasiahnutia elektrickým prúdom alebo skratu. Do vetracích otvorov nabíjačky nekladajte žiadne predmety. Nabíjačku batérií sa nepokúšajte rozoberať. Koncovky nabíjačky nikdy nepripájajte ku kovovým predmetom. Používajte schválenú elektrickú zásuvku.
- Tento výrobok vytvára počas prevádzky elektromagnetické pole. Toto pole môže za určitých okolností spôsobovať rušenie aktívnych alebo pasívnych implantovaných lekárskeho prístrojov. Zníženie rizika podmienok, ktoré môžu viesť k vážnemu alebo aj smrteľnému poraneniu, si vyžaduje, aby sa osoby s implantovanými pomôckami poradili so svojím lekárom a výrobcom pomôcky ešte pred použitím tohto výrobku.
- Pravidelne kontrolujte, či napájací kábel nabíjačky batérií nie je poškodený a či na ňom nie sú praskliny.

- Nabíjačku batérií nedvíhajte za napájací kábel. Pri odpájaní nabíjačky batérií od sieťovej zásuvky ťahajte za zástrčku. Neťahajte za napájací kábel.
- Udržiavajte všetky napájacie káble a predlžovacie káble v bezpečnej vzdialenosti od vody, oleja a ostrých hrán. Ubezpečte sa, že kábel nie je privretý vo dverách, plotoch a podobne. Môže to spôsobiť, že nabíjačka bude pod napätím.
- Nabíjačku batérií nečistite vodou.
- Nabíjačku batérií smú používať deti od 8 rokov a osoby s obmedzenými fyzickými, zmyslovými alebo mentálnymi schopnosťami alebo s nedostatkom skúseností a vedomostí, pokiaľ sú pod dohľadom alebo boli poučené o bezpečnom používaní nabíjačky batérií a chápu súvisiace riziká. Deti sa nesmú s nabíjačkou batérií hrať. Deti nesmú vykonávať čistenie ani údržbu zariadenia, ak nie sú pod dozorom.
- Nenabíjateľné batérie nenabíjajte v nabíjačke batérií.
- Nabíjačku batérií nepoužívajte v blízkosti horľavých materiálov alebo materiálov,

ktoré spôsobujú koróziu. Nabíjačku batérií nezakrývajte. V prípade výskytu dymu alebo ohňa odpojte zástrčku nabíjačky batérií.

- Nepoužívajte chybnú alebo poškodenú nabíjačku batérií.
- Batériu nabíjajte len v interiéri na miestach s dobrým prúdením vzduchu a mimo slnečného svetla. Batériu nenabíjajte vo vlhkom prostredí.

### Bezpečnostné pokyny pre údržbu



**VÝSTRAHA:** Skôr než budete výrobok používať, prečítajte si nasledujúce výstrahy.

- Otočte bezpečnostný kľúč do polohy 0 a vyberte batériu, aby ste zabránili náhodnému spusteniu počas údržby. Pred začiatkom údržby počkajte minimálne 5 sekúnd.
- Správnym vykonaním údržby zvýšite životnosť výrobku a znížite nebezpečenstvo nehôd. Vykonanie odborných opráv zverte schválenému servisnému zástupcovi. Ďalšie informácie získate od najbližšieho servisného zástupcu.

- Vykonávajte len údržbu uvedenú v tomto návode na obsluhu. Náročnejšie práce musí vykonávať schválený servisný zástupca.
- Pri používaní rezného zariadenia používajte odolné rukavice. Nôž je veľmi ostrý a ľahko môže dôjsť k porezaniu.
- Rezné hrany udržiavajte ostré a čisté, aby ste dosiahli ten najlepší a najbezpečnejší výkon.
- Nechajte výrobok pravidelne prehladnúť servisným zástupcom a vykonať na ňom potrebné nastavenia a opravy.
- Vymeňte všetky poškodené, opotrebované alebo zlomené diely.
- Pri výmene príslušenstva sa riadte pokynmi. Používajte iba príslušenstvo od daného výrobcu.
- Keď sa výrobok, batéria a nabíjačka batérií nepoužívajú, skladujte ich oddelene na suchom mieste uzamknuté v interiéri. Zaistite, aby sa k výrobku, batérii ani k nabíjačke batérií nedostali deti ani neoprávnené osoby.

## Montáž

### Úvod



**VÝSTRAHA:** Pred zostavením výrobku si prečítajte kapitolu o bezpečnosti.



**VÝSTRAHA:** Neúmyselnému spusteniu počas montáže predídete otočením bezpečnostného kľúča do polohy 0, vybratím batérie a dodržaním aspoň 5-sekundovej prestávky.

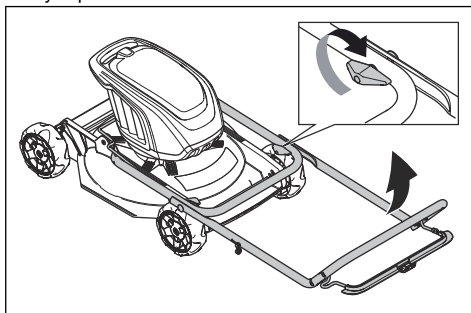
### Montáž rukoväti



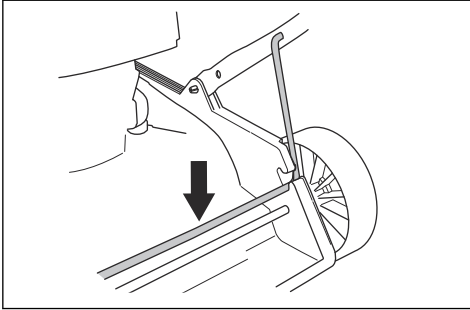
**VAROVANIE:** Neskrúcajte káble.

1. Zarovnajte otvory vo vrchnej rukoväti s otvormi v spodnej rukoväti.

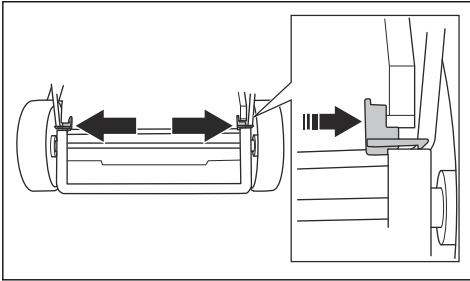
2. Úplne utiahnite gombíky na pravej a ľavej strane a vyklopte rukoväť nahor.



3. Podperu umiestnite do drážky na kryte kosačky.



4. Pripevnite 2 zarážky, ktoré zaistia podporu a rukoväť. Úplne ich zatlačte na miesto.



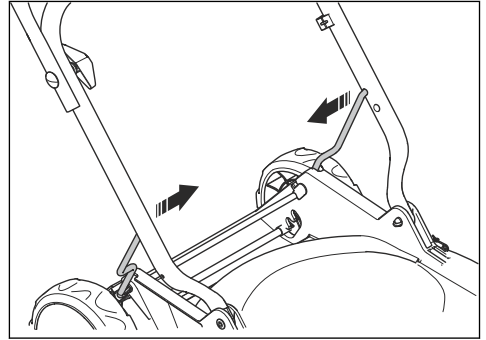
**Poznámka:** Zarážky sú dve, jedna označená ako „H“ a druhá ako „V“. Zarážku „H“ umiestnite na pravú stranu a zarážku „V“ na ľavú stranu.



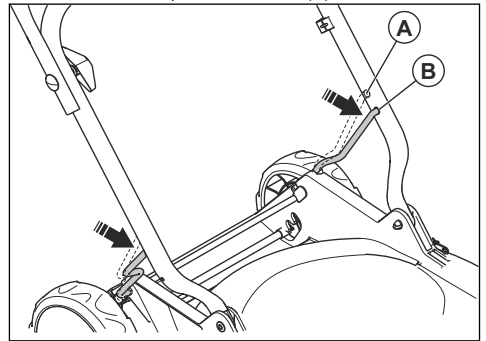
**VAROVANIE:** Výrobok nepoužívajte, ak tieto 2 zarážky nie sú pripevnené.

## Nastavenie výšky držadla

1. Vytiahnite podporu držadla z dolného držadla.



- Výšku držadla znížite tak, že vložíte podporu držadla do vrchného otvoru (A).
- Výšku držadla zvýšite tak, že vložíte podporu držadla do spodného otvoru (B).



## Prevádzka

### Úvod



**VÝSTRAHA:** Pred používaním výrobku si musíte prečítať kapitolu o bezpečnosti a porozumieť informáciám, ktoré sa v nej uvádzajú.

### Husqvarna Connect

Husqvarna Connect je bezplatná aplikácia pre mobilné zariadenia. Aplikácia Husqvarna Connect prináša rozšírené funkcie pre výrobok Husqvarna:

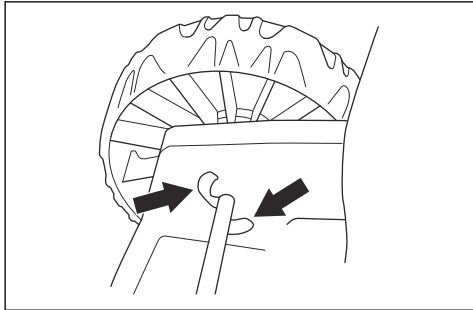
- Rozšírené informácie o výrobku.
- Informácie a podpora vzťahujúce sa na súčasti výrobku a servis.

### Ak chcete začať, použite Husqvarna Connect

- Stiahnite si aplikáciu Husqvarna Connect do mobilného zariadenia.
- Zaregistrujte sa v aplikácii Husqvarna Connect.
- Ak chcete pripojiť a zaregistrovať produkt, postupujte podľa pokynov v aplikácii Husqvarna Connect.

## Nastavenie výšky rezu

- Vytlačte hriadeľ a presuňte ho do správnej polohy pre každé zo 4 kolies.



**VAROVANIE:** Nenastavujte výšku rezu príliš nízko. Ak nie je povrch trávnik rovny, nože môžu narážať o zem.

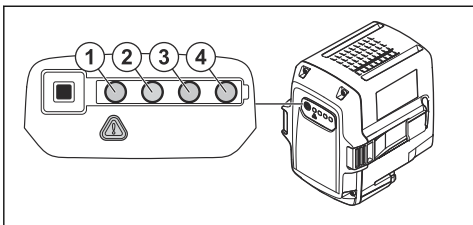
## Batéria



**VÝSTRAHA:** Pred používaním batérie si musíte prečítať kapitolu o bezpečnosti a porozumieť informáciám, ktoré sa v nej uvádzajú. Okrem toho si musíte prečítať návod na obsluhu batérie a nabíjačky batérií a porozumieť jeho obsahu.

## Stav batérie

Na displeji sa zobrazuje zostávajúca kapacita batérie a prípadné problémy s batériou. Kapacita batérie sa zobrazí na 5 sekúnd po vypnutí výrobku alebo po stlačení tlačidla indikátora batérie. Výstražný symbol na batérii sa rozsvieti, keď sa vyskytne chyba. Pozrite si časť *Batéria na strane 508*.



LED svetlá	Stav batérie
Všetky LED svetlá svietia	Plne nabitá (75 – 100 %)
Svieti LED 1, LED 2, LED 3	Batéria je nabitá na 50 % – 75 %
Svieti LED 1, LED 2	Batéria je nabitá na 25 % – 50 %

LED svetlá	Stav batérie
Svieti LED 1	Batéria je nabitá na 0 % – 25 %.
Bliká LED 1	Batéria je vybitá. Nabíte batériu.

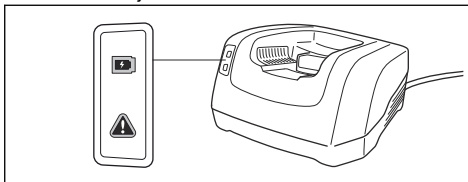
## Nabíjanie batérie

Batériu nabíte pred prvým použitím. Pri dodaní zákazníkovi je batéria nabitá len na 30 % kapacity.

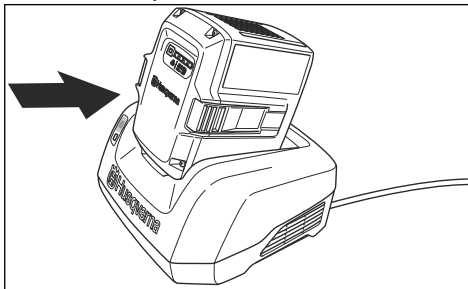
**Poznámka:** Nabíjačka batérie musí byť pripojená k sieti s napätím a frekvenciou, ktoré sa uvádzajú na výkonovom štítku.

Batéria sa nenabíja, ak teplota batérie prekročí 50 °C. Pred začiatkom nabíjania nabíjačka batérií zníži teplotu batérie.

1. Jeden koniec napájacieho kábla nabíjačky batérií pripojte k zásuvke na nabíjačke batérií.
2. Druhý koniec napájacieho kábla nabíjačky batérií pripojte k uzemnenej sieťovej zásuvke. Indikátor LED na nabíjačke batérií raz blikne nazeleno.



3. Vložte batériu do nabíjačky batérií. Po správnom pripojení batérie k nabíjačke batérií sa na nabíjačke rozsvieti zelený indikátor.



4. Keď svietia všetky indikátory LED na batérii, batéria je plne nabitá. Batériu nabíjajte maximálne 24 hodín.
5. Pri odpájaní nabíjačky batérií od sieťovej zásuvky ťahajte za zástrčku, nie za šnúru.
6. Vyberte batériu z nabíjačky batérií.

## Stav nabíjania batérie

Lítium-iónová batéria Husqvarna sa dá nabíjať a používať pri všetkých úrovniach nabitia. Batéria nie je

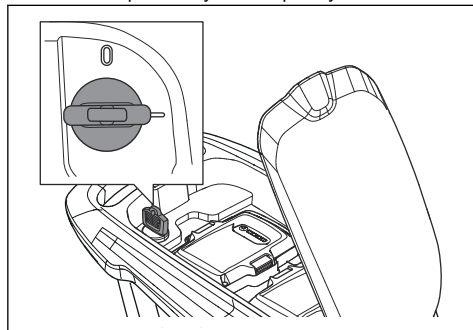


poškodená. Kapacita úplne nabitých batérií sa neznižuje ani vtedy, keď ju necháte v nabíjačke.

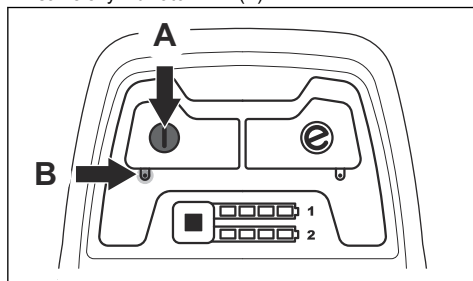
LED displej	Stav nabíjania
Bliká LED 1	0 % – 25 %
LED 1 svieti, LED 2 bliká	25 % – 50 %
LED 1, LED 2 svietia, LED 3 bliká	50 % – 75 %
LED 1, LED 2, LED 3 svietia, LED 4 bliká	75 % – 100 %
LED 1, LED 2, LED 3, LED 4 svietia	Úplne nabitá

## Zapnutie výrobku

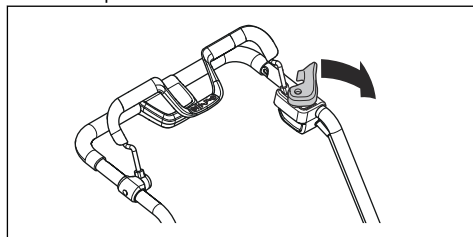
1. Nabitú batériu vložte do priestoru batérie číslo 1 pod krytom batérie. Na zaistenie dlhšieho času prevádzky vložte druhú nabitú batériu do priestoru batérie číslo 2.
2. Otočte bezpečnostný kľúč do polohy 1.



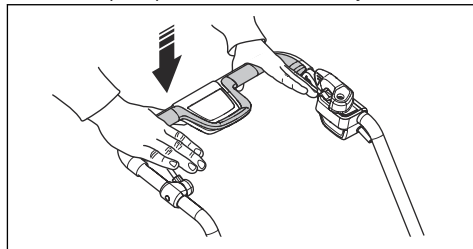
3. Stojte za výrobkom.
4. Stlačte vypínač (A) na ovládací paneli a rozsvieti sa zelený indikátor LED (B).



5. Povoľte poistku naštartovania.



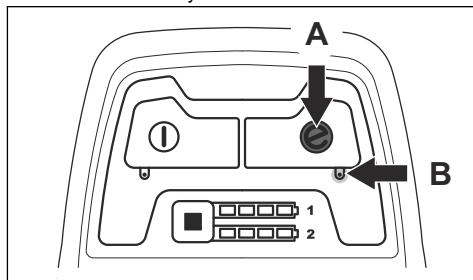
6. Potlačte páku pohonu smerom k hornej rukoväti.



## Používanie funkcie SavE

Výrobok je vybavený funkciou na šetrenie energie batérie (SavE), ktorá mu umožní dosiahnuť dlhší prevádzkový čas.

1. Funkciu spustíte stlačením tlačidla SavE (A). Rozsvieti sa zelený indikátor LED.



2. Funkciu nastavíte opätovným stlačením tlačidla SavE. Zelený indikátor LED (B) zhasne.

Funkcia SavE sa preruší automaticky, ak si stav terénu vyžaduje použiť vyšší výkon. Funkcia SavE sa spustí automaticky, keď to stav terénu umožní.

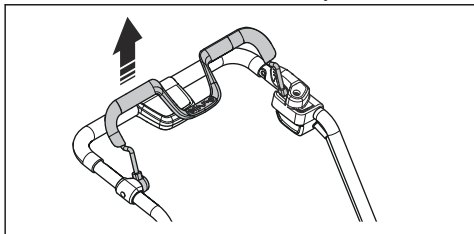
## Funkcia vysokého zaťaženia

Keď výrobok kosí dlhú alebo mokrá trávu, motor automaticky zvýši otáčky. Motor sa vráti do štandardného režimu, keď už vysoké zaťaženie nie je potrebné.

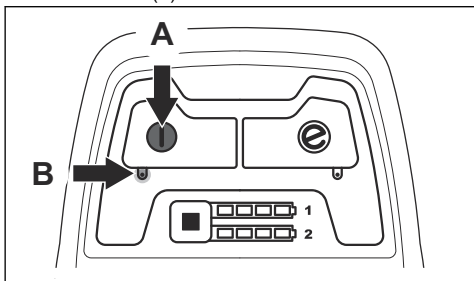
## Vypnutie výrobku

Výrobok sa automaticky zastaví, ak ho nepoužívate aspoň 10 minút. Skôr než spustíte výrobok z dohľadu, vždy otočte bezpečnostný kľúč do polohy 0.

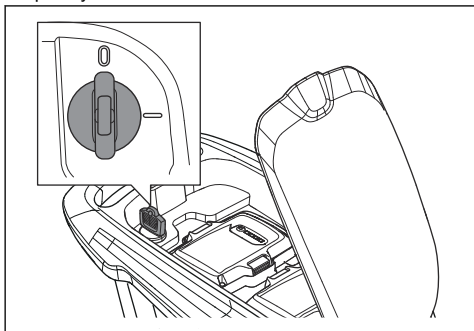
1. Motor zastavíte uvoľnením brzdovej rukoväti motora.



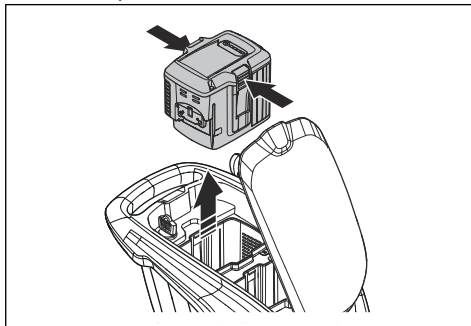
2. Stlačte vypínač (A) na ovládacom paneli a zelený indikátor LED (B) zhasne.



3. Otvorte kryt batérie a otočte bezpečnostný kľúč do polohy 0.



4. Batériu vyberte zatlačením dvoch uvoľňovacích tlačidiel a potiahnutím batérie smerom von.



5. Ak má batéria nízku kapacitu, nabite ju. Ďalšie informácie sú uvedené v časti *Nabíjanie batérie na strane 504*.

## Zabezpečenie optimálnych výsledkov

- Vždy používajte ostrý nôž. Tupý nôž poskytuje nepravidelné výsledky kosenia a pokosený povrch trávniku zožltne. Ostrý nôž spotrebuje menej energie ako tupý nôž.
- Nekoste viac ako 1/3 dĺžky trávy. Najprv koste s nastavenou vysokou výškou rezu. Skontrolujte výsledok a znížte výšku rezu na príslušnú úroveň. Ak je tráva veľmi vysoká, pohybujte sa pomaly a ak je to potrebné, pokoste ju dvakrát.
- Zakaždým koste iným smerom, aby ste predišli vzniku pruhov na trávniku.
- Udržiavajte kryt kosačky čistý. Nahromadenie trávy a nečistoty na vnútornej strane krytu kosačky môže viesť k horšiemu výsledku kosenia. Pozrite si časť *Cistenie výrobku na strane 507*.

## Údržba

### Úvod



**VÝSTRAHA:** Pred vykonávaním akejkoľvek údržby si musíte prečítať kapitolu o bezpečnosti a porozumieť jej.

Údržba a opravné práce na výrobku si vyžadujú špeciálne školenie. Zaručujeme dostupnosť profesionálnych opravných prác a údržby. Ak váš

predajca nie je servisný zástupca, kontaktujte predajcu, ktorý vám poskytne informácie o najbližšom servisnom zástupcovi.

### Plán údržby

Intervaly údržby sú vypočítané na základe každodenného používania výrobku. Ak sa výrobok nepoužíva každý deň, tieto intervaly sa menia.

V prípade údržby označenej symbolom \* si pozrite pokyny v kapitole *Bezpečnostné zariadenia na výrobku na strane 498.*

	Pri každom použití	Mesačne	Každú sezónu
Vykonajte všeobecnú kontrolu	X		
Vyčistite výrobok	X		
Skontrolujte poistku naštartovania *	X		
Skontrolujte, či sú bezpečnostné zariadenia na produkte nepoškodené *	X		
Skontrolujte reznú zariadenie	X		
Skontrolujte kryt rezacej časti *	X		
Skontrolujte rukoväť brzdy motora *	X		
Skontrolujte správnosť funkcie vypínača a zistite, či nemá poruchu	X		
Skontrolujte, či batéria nie je poškodená	X		
Skontrolujte nabitie batérie	X		
Skontrolujte, či uvoľňovacie tlačidlá na batérii fungujú správne a riadne zaistia batériu vo výrobku	X		
Skontrolujte, či nabíjačka batérií nie je poškodená, a presvedčte sa, či funguje správne.		X	
Skontrolujte prepojenia medzi batériou a výrobkom. Skontrolujte aj prepojenie medzi batériou a nabíjačkou batérií.			X

## Vykonanie všeobecnej kontroly

- Uistite sa, že sú dotiahnuté matice a skrutky na výrobku.
- Skontrolujte, či káble výrobku nie sú v polohe, v ktorej by sa mohli poškodiť.

## Čistenie výrobku

- Plastové diely čistite čistou a suchou handričkou.
- Výrobok neumývajte vodou. Voda môže preniknúť do batérie alebo motora a spôsobiť skrat alebo poškodenie výrobku.
- Na čistenie výrobku nepoužívajte vysokotlakový čistič.
- Nikdy nelejte vodu priamo na motor.
- Pomocou kefy odstráňte listy, trávu a nečistoty.

## Čistenie batérie a nabíjačky batérií



**VÝSTRAHA:** Batériu ani nabíjačku batérií nečistite vodou.

- Pred vložením batérie do nabíjačky batérií skontrolujte, či sú batéria a nabíjačka batérií čisté a suché.

- Svorky batérie čistite stlačeným vzduchom alebo mäkkou a suchou handričkou.
- Povrch batérie a nabíjačky batérií čistite mäkkou a suchou handričkou.

## Kontrola rezného zariadenia



**VÝSTRAHA:** Aby ste zabránili náhodnému spusteniu, otočte bezpečnostný kľúč do polohy 0, vyberte batériu a počkajte minimálne 5 sekúnd.



**VÝSTRAHA:** Pri vykonávaní údržby rezného zariadenia používajte ochranné rukavice. Nôž je veľmi ostrý a ľahko môže dôjsť k porezaniu.

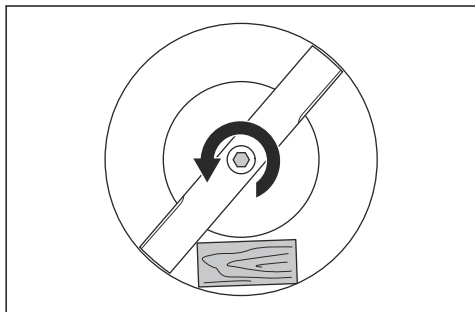
1. Skontrolujte, či sa na reznom zariadení nenachádzajú známky poškodenia alebo praskliny. Poškodené rezné zariadenie vždy vymeňte.
2. Skontrolujte, či nie je poškodený alebo tupý nôž.

**Poznámka:** Po nabrúsení je potrebné nôž vyrovnat'. Nôž nechajte nabrúsiť, vymeniť a vyrovnat' v servisnom stredisku. Ak narazíte na predmet, ktorý

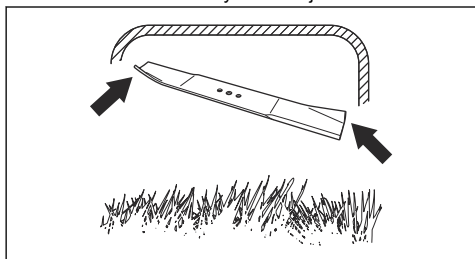
spôsobí zastavenie výrobku, vymeňte poškodený nôž. Nechajte, aby servisné stredisko rozhodlo, či je možné nôž nabrúsiť alebo sa musí vymeniť.

## Výmena noža

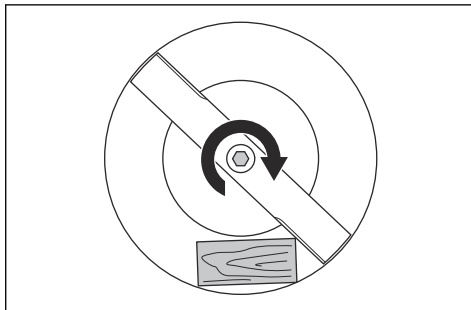
1. Pomocou dreveného bloku zaistíte nôž.



2. Odstráňte skrutku noža.
3. Odstráňte nôž.
4. Skontrolujte držiak noža a skrutku noža kvôli známkam poškodenia.
5. Skontrolujte hriadeľ motora a uistite sa, že nie je ohnutý.
6. Pri upevňovaní nového noža nasmerujte zošíkmené konce noža v smere krytu rezacej časti.



7. Uistite sa, že je nôž zarovnaný so stredom hriadeľa motora.
8. Pomocou dreveného bloku zaistíte nôž. Pripevnite pérovú podložku a utiahnite skrutku a podložku momentom 23–28 Nm.



9. Rukou potočte nožom a uistite sa, že sa voľne otáča.



**VÝSTRAHA:** Používajte odolné rukavice. Nôž je veľmi ostrý a ľahko môže dôjsť k porezaniu.

10. Zapnite výrobok a otestujte nôž. Ak nôž nie je správne upevnený, výrobok vibruje alebo poskytuje neuspokojivé výsledky kosenia.

## Riešenie problémov

### Batéria

Indikátory LED na batérii	Príčina	Riešenie
Bliká zelený indikátor LED.	Napätie batérie je nízke.	Nabite batériu. Pozrite si časť <i>Nabíjanie batérie na strane 504.</i>

Indikátory LED na batérii	Príčina	Riešenie
Bliká indikátor LED, ktorý signalizuje poruchu.	Kapacita batérie je nízka.	Nabite batériu. Pozrite si časť <i>Nabíjanie batérie na strane 504</i> .
	Teplota pracovného prostredia je príliš vysoká alebo príliš nízka.	Batériu používajte v prostredí, v ktorom sa teplota pohybuje od -10 °C do 40 °C.
	Prepätie.	Uistite sa, že sieťové napätie zodpovedá údajom uvedenému na výkonnovom štítku výrobku. Vyberte batériu z nabíjačky batérií. Počkajte 5 sekúnd a znova vyskúšajte nabiť batériu. Ak problém pretrváva, obráťte sa na schváleného servisného zástupcu.
Svieti indikátor LED, ktorý signalizuje poruchu.	Rozdiel napätia článkov je priveľký (1 V).	Obráťte sa na schváleného servisného zástupcu.

## Nabíjačka batérií

Indikátor LED na nabíjačke batérií	Príčina	Riešenie
Bliká indikátor LED, ktorý signalizuje poruchu.	Teplota pracovného prostredia je príliš vysoká alebo príliš nízka.	Nabíjačku batérií používajte pri teplotách od 5 °C do 40 °C.
Svieti indikátor LED, ktorý signalizuje poruchu.		Obráťte sa na schváleného servisného zástupcu.

## Ovládací panel

V prípade iných problémov, ktoré sa v tejto časti neuvádzajú, sa obráťte na servisného zástupcu.

Klávesnica	Chybový kód (počet bliknutí)	Možné poruchy	Možná činnosť
Bliká dióda LED signalizujúca poruchu	3	Motor je preťažený	Zvýšte výšku rezu. Pozrite si časť <i>Nastavenie výšky rezu na strane 504</i> .
	5	Otáčky motora výrazne klesajú a motor sa zastavuje	
	10	Riadenie motora je príliš horúce	Zastavte motor a počkajte, kým nevychladne
	2	Nôž je zablokovaný	Aby ste zabránili náhodnému spusteniu, otočte bezpečnostný kľúč do polohy 0, vyberte batériu a počkajte minimálne 5 sekúnd. Skontrolujte, či sa nôž môže voľne otáčať. Ak problém pretrváva, obráťte sa na autorizovaného servisného zástupcu
	9	Chyba batérie alebo žiaden signál z batérie	Vložte batériu do výrobku správne a skontrolujte konektor batérie. Ak bliká chybový indikátor LED na batérii, pozrite si časť <i>Batéria na strane 504</i> .
Výrobok sa zastaví	8	Kapacita batérie je nízka	Nabite batériu. Pozrite si časť <i>Nabíjanie batérie na strane 504</i> .
	0	Chyba konektora batérie	Skontrolujte konektor batérie

## Preprava, skladovanie a likvidácia

### Úvod



**VÝSTRAHA:** Neúmyselnému spusteniu počas prepravy predídete otočením bezpečnostného kľúča do polohy 0, vybratím batérie a aspoň 5-sekundovou prestávkou.

### Preprava

- Právne predpisy upravujúce nebezpečný tovar sa vzťahujú aj na používané lítium-iónové batérie.
- Pri obchodnej preprave treba dodržiavať špeciálne požiadavky týkajúce sa balenia a štítkov.
- Počas prípravy výrobku na prepravu zaistíte, aby ste spĺňali právne predpisy týkajúce sa nebezpečných materiálov. Na túto situáciu sa môžu vzťahovať aj miestne nariadenia.
- Pred prepravou vždy vyberte batériu.
- Konektory batérie prelepte páskou a zaistíte, aby sa batéria počas prepravy nehýbala.
- Počas prepravy výrobok zaistíte.

### Skladovanie

- Pred uložením vždy vyberte batériu.

- Aby ste predišli nehodám, ubezpečte sa, že batéria nie je počas skladovania pripojená k výrobku.
- Nabíjačku batérie skladujte v uzavretých a suchých priestoroch.
- Batériu a nabíjačku batérie skladujte v uzavretých a suchých priestoroch, kde nie sú vystavené vlhkosti ani mrazu.
- Počas skladovania odpojte batériu od nabíjačky.
- Neskladujte batériu na mieste s výskytom statickej elektriny. Batériu nekladajte do kovovej skrinky.
- Batériu skladujte v priestoroch, kde sa teplota pohybuje od 5 °C do 25 °C, a nikdy ju nevystavujte priamemu slnečnému svetlu.
- Nabíjačku batérie skladujte v priestoroch, kde sa teplota pohybuje od 5 °C do 45 °C, a nikdy ju nevystavujte priamemu slnečnému svetlu.
- Pred dlhodobým skladovaním sa uistite, že batéria je nabitá na 30 – 50 % kapacity.
- Výrobok, batériu a nabíjačku batérie skladujte v uzamknutom priestore mimo dosahu detí a neoprávnených osôb.
- Pred dlhodobým uskladnením výrobok vyčistíte a vykonajte kompletný servis.

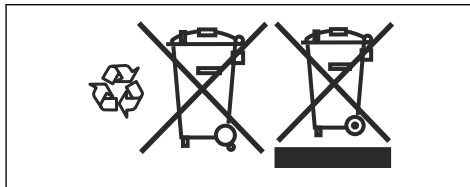
## Likvidácia

Symbole na výrobku alebo na obale výrobku označujú, že sa tento výrobok nesmie likvidovať ako domáci odpad. Musí sa odovzdať do príslušnej recyklačnej stanice pre recykliáciu elektrických a elektronických zariadení.

Zaistením správnej likvidácie tohto výrobku pomôžete zabrániť potenciálnemu negatívnemu dopadu na životné prostredie a zdravie ľudí, ktorý by inak mohol byť dôsledkom nesprávnej likvidácie tohto výrobku.

Podrobnejšie informácie o recyklácii tohto výrobku

získate na mestskom úrade, od služby zaisťujúcej spracovanie domáceho odpadu alebo v predajni, kde ste výrobok zakúpili.



## Technické údaje

	<b>LB 146i</b>
<b>Kosiaci motor</b>	
Typ motora	BLDC (bezkontaktný) 36V
Otáčky motora – SavE, ot./min.	2600
Otáčky motora – menovité, ot./min.	3000
Otáčky motora – vysoké zaťaženie, ot./min.	3500
Výstupný výkon motora – max., kW	1,05
Výstupný výkon motora – menovitý, kW	0,9
Obmedzenie preťaženia prúdom (Obmedzenie elektrického prúdu: 900W-27A)	27 (+/-) 1A
<b>Hmotnosť</b>	
Hmotnosť bez batérie, kg	16,9
<b>Batéria</b> <sup>89</sup>	
Typ batérie	Rad batérií Husqvarna
<b>Prevádzková doba batérie</b>	
Prevádzková doba batérie, min. (prevádzka naprázdno) s aktivovanou funkciou SavE, s batériou 5,2 Ah Husqvarna (BLi200).	77
Prevádzková doba batérie, min. (prevádzka naprázdno) s aktivovaným štandardným režimom, s 5,2 Ah batériou Husqvarna (BLi200).	45
<b>Emisie hluku</b> <sup>90</sup>	
Nameraná úroveň hlučnosti, dB(A)	90
Zaručená úroveň hlučnosti L <sub>WA</sub> dB(A)	91
<b>Úrovne hlučnosti</b> <sup>91</sup>	
Hladina akustického tlaku pri uchu obsluhy, dB(A)	79

<sup>89</sup> Na dosiahnutie najlepších výsledkov a výkonnosti sa odporúča batéria Husqvarna BLi200.

<sup>90</sup> Hladina hluku meraná ako akustický tlak (L<sub>WA</sub>) v súlade s európskou smernicou 2000/14/ES.

<sup>91</sup> Uvádzané údaje pre hladinu akustického tlaku majú typický štatistický rozptyl (štandardnú odchýlku) 1,2 dB (A).

	<b>LB 146i</b>
<b>Úrovne vibrácií</b> <sup>92</sup>	
Rukoväť, m/s <sup>2</sup>	0,9
<b>Rezné zariadenie</b>	
Výška rezu, mm	35 – 70 mm
Šírka kosenia, cm	46
Nôž	BioClip
Objednávacie číslo	5947022-10

<b>Schválené batérie</b>	<b>Typ</b>	<b>Kapacita batérie, Ah</b>	<b>Napätie, V</b>	<b>Hmotnosť, kg (lb)</b>
BLi20	Lítium-iónová	4,0	36	2,6/1,2
BLi200	Lítium-iónová	5,2	36	2,8/1,3
BLi300	Lítium-iónová	9,4	36	4,2/1,9

<b>Schválené nabíjačky pre uvedené batérie, BLi</b>	<b>Vstupné napätie, V</b>	<b>Frekvencia, Hz</b>	<b>Výkon, W</b>
QC80	100 – 240	50 – 60	100
QC80F	10 – 15	N/A	95
QC330	100 – 240	50 – 60	330
QC500	100 – 240	50 – 60	500
40-C80	100 – 240	50 – 60	68,8

<sup>92</sup> Uvádzané údaje pre ekvivalentný stupeň vibrácií majú typický štatistický rozptyl (štandardnú odchýlku) 0,2 m/s<sup>2</sup>. Štandardné vibrácie – norma EN 60335-2-77:2017, kapitola 20.105



---

# ES vyhlásenie o zhode

---

## ES vyhlásenie o zhode

**Husqvarna AB**, SE-561 82 Huskvarna, Švédsko, tel.:  
+46-36-146500, vyhlasuje, že **kosačka na trávu**  
**Husqvarna LB 146i** od roku výroby 2021 a ďalej spĺňa  
požiadavky SMERNICE RADY:

- z 8. júna 2011 o „obmedzení používania určitých nebezpečných látok“ **2011/65/EÚ**,
- zo 17. mája 2006, „Smernica o strojoch“ **2006/42/EÚ**,
- z 26. februára 2014 „vzťahujúcej sa na elektromagnetickú kompatibilitu“, **2014/30/EÚ**,
- z 8. mája 2000 „o emisiách hluku v prostredí“ **2000/14/EÚ**.

Informácie týkajúce sa emisií hluku nájdete v časti  
Technické údaje.

Boli uplatnené nasledujúce normy:

**EN 60335-1:2012+A11:2014+A13:2017, EN**  
**60335-2-77:2010, EN 62233:2008, EN**  
**55014-1:2017+A11:2020, EN 55014-2:2015, EN IEC**  
**63000:2018**

Ak nie je uvedené inak, vyššie uvedené normy sú  
najnovšie vydané verzie.

Notifikovaný orgán: **0404, RISE SMP Svensk**  
**Maskinprovning AB, Box 7035, SE-750 07 Uppsala**  
vykonal posudzovanie zhody v súlade s prílohou VI  
smernice 2000/14/ES.

Huskvarna, 2021-10-30



Claes Losdal, manažér vývoja/záhradné produkty  
(autorizovaný zástupca spoločnosti Husqvarna AB  
a osoba zodpovedná za technickú dokumentáciu)

# VSEBINA

Uvod.....	514	Odpravljanje težav.....	530
Varnost.....	516	Transport skladiščenje in odstranitev.....	531
Montaža.....	524	Tehnični podatki.....	532
Delovanje.....	525	Izjava ES o skladnosti.....	534
Vzdrževanje.....	528		

## Uvod

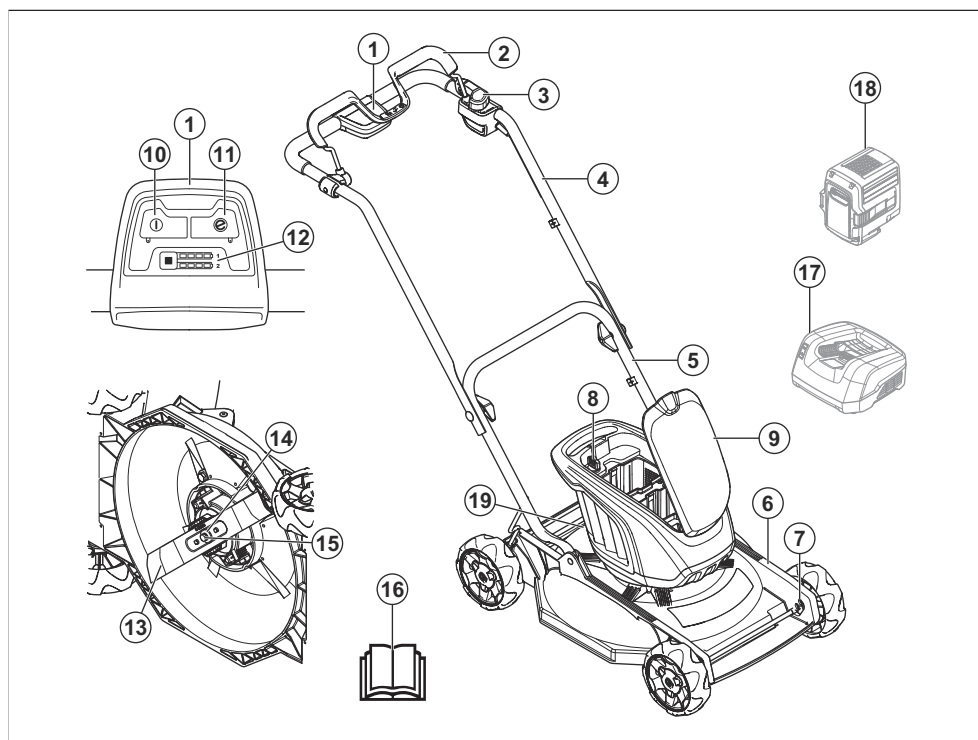
### Opis izdelka

Izdelek je rotacijska kosilnica, ki z vložkom BioClip travo nareže v gnojilo.

### Namen uporabe

Izdelek uporabite za rezanje trave. Izdelka ne uporabljajte za druga opravila.

### Pregled izdelka



1. Kontrolna plošča
2. Motorna zavorna ročica
3. Blokada vžiga
4. Zgornji ročaj
5. Spodnji ročaj
6. Pokrov rezila
7. Regulator višine reza

8. Varnostni ključ
9. Pokrov baterije
10. Gumb za vklop/izklop
11. Gumb SavE
12. Indikator napolnjenosti baterije in gumb baterije
13. Rezilo
14. Podložka vzmeti

15. Vijak rezila
16. Navodila za uporabo
17. Baterijski polnilnik (dodatna oprema)
18. Baterija (dodatna oprema)
19. Tipska ploščica s kodo QR

## Simboli na izdelku



Opozorilo: Neprevidna ali napačna uporaba lahko povzroči poškodbe in celo smrt uporabnika ali drugih.



Pred začetkom uporabe izdelka natančno preberite navodila za uporabo in se prepričajte, da ste jih razumeli.



Poskrbite, da so osebe in živali na varni razdalji od delovnega območja.



Pazite na leteče in odbite predmete.



Opozorilo: Roke in noge držite stran od vrtljivega rezila.



Opozorilo: Z rokami in nogami ne segajte v območje premikanja vrtljivih delov.



Pred popravili ali vzdrževalnimi deli odstranite varnostni ključ.



Izdelek ne sme biti izpostavljen dežju.



Izdelek ali embalaža izdelka ne spadata med gospodinjske odpadke. Treba ga je reciklirati v zbirnem centru za reciklažo električne in elektronske opreme.



Izdelek je skladen z veljavnimi direktivami ES.



Izdelek je skladen z veljavnimi direktivami Evrazijske carinske unije.



Izdelek je skladen z veljavnimi direktivami UkrSEPRO.



Izdelek je skladen z veljavnimi direktivami RCM. Velja samo za AU/NZ



Emisija hrupa v okolje v skladu z direktivo Evropske skupnosti. Podatek za emisijo izdelka je naveden v poglavju "Tehnični podatki" ter na nalepki.

**IPX1**

IPX1 – Zaščiteno pred kapljanjem



Zagonski postopek: pritisnite gumb za VKLOP/ IZKLOP, sprostite blokado vžiga, in ročico zavore motorja potisnite navzdol.



Za zaustavitev sprostite ročico zavore motorja.

**Opomba:** Ostali simboli in oznake na izdelku se nanašajo na zahteve za certifikacijo, ki veljajo za nekatere trge.

### Nalepke na izdelku



NEVARNOST – Ne približujte rok in nog.

### Odgovornost proizvajalca

Kot je navedeno v zakonodaji, ki ureja odgovornost proizvajalca, ne prevzemamo nikakršne odgovornosti za poškodbe, ki bi jih naši izdelki povzročili v naslednjih primerih:

- Izdelek ni pravilno popravljen.
- Izdelek je popravljen z deli, ki jih ni izdelal ali odobril proizvajalec.
- Na izdelku je nameščena dodatna oprema, ki je ni izdelal ali odobril proizvajalec.
- Izdelek ni bil popravljen v pooblaščenem servisnem centru ali pri pooblaščenem organu.

## Varnost

### Varnostne definicije

Opozorila, svarila in opombe opozarjajo na posebje pomembne dele priročnika.

poškodbe ali smrti uporabnika ali opazovalcev ob neupoštevanju navodil v tem priročniku.



**OPOZORILO:** Se uporabi, če obstaja nevarnost telesne



**POZOR:** Se uporabi, če obstaja nevarnost poškodbe izdelka, drugih materialov ali okolice ob neupoštevanju navodil v tem priročniku.

---

**Opomba:** Se uporabi za podajanje podrobnejših informacij, potrebnih v dani situaciji.

---

## Splošna varnostna navodila

---



**OPOZORILO:** Pred uporabo izdelka preberite navodila v povezavi z opozorili v nadaljevanju.

---

- Ta izdelek je lahko nevaren, če ga ne uporabljate pravilno ali če niste previdni. Če ne upoštevate varnostnih navodil, lahko nastopijo poškodbe ali celo smrt.
- Izdelek med delovanjem ustvarja elektromagnetno polje. To polje lahko v nekaterih pogojih moti delovanje aktivnih ali pasivnih medicinskih vsadkov. Uporabnikom medicinskih vsadkov svetujemo, da se pred uporabo tega izdelka posvetujejo z zdravnikom ali

proizvajalcem medicinskega vsadka, s čimer zmanjšajo nevarnost resnih ali smrtnih poškodb.

- Vedno bodite previdni in ravnajte razumno. Če niste prepričani, kako upravljati ta izdelek v določeni situaciji, prenehajte z delom in se pogovorite s prodajalcem Husqvarna.
- Ne pozabite, da je uporabnik odgovoren za nesreče, ki jih povzroči drugim ljudem ali njihovi lastnini.
- Stroj redno čistite. Pozorno preberite znake in nalepke.
- Naprave ne smejo uporabljati otroci ali osebe, ki niso seznanjene z navodili. Lokalni predpisi lahko omejujejo starost delavca
- Če izdelek uporabljajo osebe z zmanjšanimi fizičnimi ali intelektualnimi sposobnostmi, jih nenehno nadzorujte. Vedno mora biti prisotna odgovorna odrasla oseba.
- Izdelka ne uporabljajte, ko ste utrujeni, bolni, ali pod vplivom alkohola, drog ali zdravil. To negativno vpliva na vaš vid, pozornost, koordinacijo in presojo.
- Izdelka ne uporabljajte, če je poškodovan.

- Izdelka ne spreminjajte ali uporabljajte, če obstaja možnost, da so ga spremenile tretje osebe.

## Varnost delovnega področja

---



**OPOZORILO:** Pred uporabo izdelka preberite navodila v povezavi z opozorili v nadaljevanju.

---

- Z delovnega območja pred začetkom dela odstranite predmete, kot so veje, vejice in kamni.
- Predmeti, ki pridejo v kontakt z rezalno opremo, lahko odletijo in poškodujejo osebe in ostale predmete. Opazovalci in živali naj bodo na varni razdalji od izdelka.
- Izdelka nikoli ne uporabljajte v slabem vremenu, kot je megla, dež, močan veter, izreden mraz ter nevarnost strele. Če izdelek uporabljate v slabem vremenu ali v vlažnih ali mokrih okoljih, vas bo to utrudilo. Slabo vreme lahko povzroči nevarne pogoje, kot je spolzka podlaga.
- Bodite pozorni na osebe, predmete in situacije, ki lahko preprečijo varno obratovanje izdelka.

- Bodite pozorni na ovire, kot so korenine, kamni, veje, jame in jarki. Visoka trava lahko prekriva ovire.
- Košnja trave na pobočju je lahko nevarna. Ne kosite po izjemno strmih naklonih. Izdelka ne uporabljajte na pobočjih z naklonom, večjim od 15°.
- Pri spreminjanju smeri na naklonih bodite izjemno previdni. Izdelek uporabljajte prečno na pobočje. Ne premikajte se navzgor in navzdol.
- Bodite previdni, kadar se približujete kotom in predmetom, ki omejujejo pogled.

## Varnost pri delu

---



**OPOZORILO:** Pred uporabo izdelka preberite navodila v povezavi z opozorili v nadaljevanju.

---

- Ta izdelek uporabljajte izključno za košnjo trave. Ne uporabljajte ga za druga opravila.
- Uporabljajte osebno zaščitno opremo. Glejte *Osebna zaščitna oprema na strani 520*.

- V zasilnem primeru morate znati motor hitro izklopiti.
- Izdelka ne uporabljajte dežju ali visoki vlagi. Nevarnost električnega udara se poveča, če v izdelek vdre voda.
- Izdelka ne uporabljajte, če rezilo in vsi pokrovi niso nameščeni pravilno. Nepravilno nameščeno rezilo lahko odleti in povzroči poškodbe.
- Pazite, da rezilo ne udarja ob predmete, npr. kamenje in korenine. To lahko poškoduje rezilo in ukrivi motorno gred. Zvita os povzroča vibracije in zelo visoko tveganje, da rezilo odleti.
- Če rezilo trči ob predmet ali začutite vibracije, izdelek nemudoma izklopite. Izklopite motor, varnostni ključ obrnite v položaj 0 in odstranite baterijo. Preglejte, ali je izdelek morda poškodovan. Poškodbe popravite ali pa popravilo prepustite pooblaščenemu serviserju.
- Ročice zavore motorja nikoli ne pritrdite trajno na ročaj, ko motor deluje.
- Izdelek vklopite na stabilni in ravni podlagi. Prepričajte se, da rezilo ne trči ob tla ali druge predmete.
- Vedno bodite za izdelkom, ko ga upravljate.
- Ko upravljate izdelek, morajo biti vsa kolesa na tleh, prav tako pa imejte na ročaju obe roki. Roke in noge držite stran od vrtljivih rezil.
- Pri delujočem motorju izdelka nikoli ne nagibajte.
- Ko izdelek potegnete nazaj, bodite previdni.
- Izdelka ne dvigajte, ko motor deluje. Če morate izdelek dvigniti, najprej izklopite motor, nato varnostni ključ obrnite v položaj 0 in odstranite baterijo.
- Med uporabo izdelka ne hodite vzvratno.
- Izklopite motor, ko se premikate prek področij brez trave, npr. poti iz gramoza, kamna in asfalta.
- Pri delujočem motorju ne tecite z izdelkom. Pri uporabi tega izdelka vedno hodite.
- Pred spreminjanjem višine reza ustavite motor. Ne izvajajte nastavitve, ko motor deluje.
- Izdelek z delujočim motorjem morate imeti vedno na očeh. Izklopite motor in se prepričajte, da se rezalna oprema ne vrti.

## Varnostna navodila za uporabo

### Osebna zaščitna oprema



**OPOZORILO:** Pred uporabo izdelka preberite navodila v povezavi z opozorili v nadaljevanju.

- Osebna zaščitna oprema ne more popolnoma preprečiti poškodb, vendar v primeru nesreče omili posledice. Prodajalec naj vam pomaga izbrati ustrezno opremo.
- Uporabite trpežno obutev, ki ne drsi. Ne bodite bos ali nosite odprtih čevljev.
- Oblečene imejte trpežne, dolge hlače.
- Po potrebi uporabite zaščitne rokavice, npr. kadar pritrujete, pregledujete ali čistite rezalno opremo.

### Varnostne naprave na izdelku



**OPOZORILO:** Pred uporabo izdelka preberite navodila v povezavi z opozorili v nadaljevanju.

- Ne uporabljajte izdelka s poškodovanimi varnostnimi napravami.
- Redno preverjajte varnostne naprave. Če so varnostne naprave poškodovane, se obrnite na pooblaščen servisno delavnico Husqvarna.

#### Preverjanje pokrova rezila

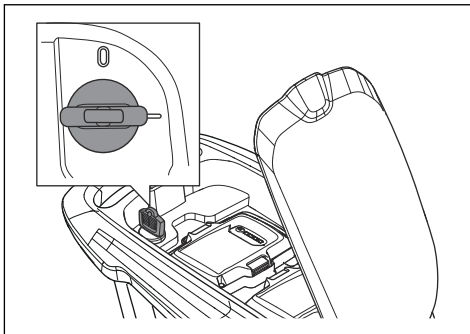
Pokrov rezila zmanjšuje moč vibracij v izdelku in zmanjšuje nevarnost poškodb, katerih vzrok bi lahko bilo rezilo.

- Preglejte pokrov rezila in se prepričajte, da nima poškodb, kot so razpoke.

#### Varnostni ključ

Varnostni ključ je pod pokrovom baterije. Varnostni ključ skrbi za povezavo baterije, ki napaja motor.

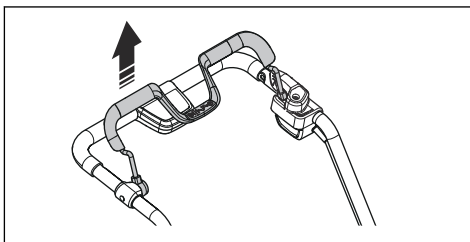
- Zaženite in izklopite motor, da preverite varnostni ključ.
- Če varnostni ključ deluje pravilno, se motor zažene, ko varnostni ključ obrnete v položaj 1.



#### Motorna zavorna ročica

Zavorna ročica motorja izklopi motor. Ko spustite zavorno ročico motorja, se motor ustavi.

Za preverjanje motorne zavore morate zagnati, potem pa ročico zavore motorja sprostiti. Če se motor ne izklopi v 3 sekundah, mora izdelek preveriti pooblaščen servis Husqvarna, ki mora nato nastaviti motorno zavoro.



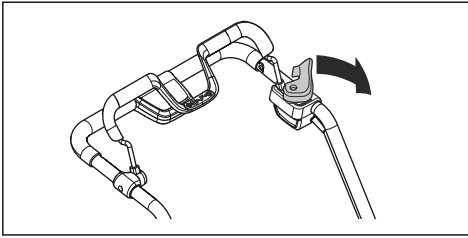
#### Za pregled blokade vžiga

Preverite blokado vžiga in se prepričajte, da onemogoča zagon motorja.

1. Ročico motorne zavore potisnite v smer ročaja. Blokada vžiga ustavi premikanje.



2. Blokado vžiga potisnite ven.



3. Sprostite gumb blokade vžiga in se prepričajte, da se vrne v izhodiščni položaj.

## Varna uporaba baterije



**OPOZORILO:** Pred uporabo izdelka preberite navodila v povezavi z opozorili v nadaljevanju.

- Kot vir napajanja uporabljajte akumulatorske baterije Husqvarna; samo za povezane izdelke Husqvarna. Za preprečevanje poškodb baterije ne uporabljajte za napajanje drugih naprav.
- Ne uporabljajte baterij za enkratno uporabo.
- Nevarnost električnega udara. Poli baterije ne smejo priti v stik s ključi, kovanci, vijaki ali drugimi kovinskimi deli. To lahko povzroči kratek stik baterije.
- V zračne reže baterije ne vstavljajte predmetov.
- Baterije ne izpostavljajte neposredni sončni svetlobi, vročini ali odprtemu ognju. Baterija lahko eksplodira in povzroči opekline in/ali kemične opekline.
- Baterije ne izpostavljajte dežju in vlagi.
- Baterije ne izpostavljajte mikrovalovom in visokemu tlaku.
- Baterije ne poskušajte razstaviti ali odpreti.
- Če baterija pušča, pazite, da tekočina ne pride v stik s telesom ali očmi. Če ste se tekočine dotaknili, območje očistite z obilo vode in poiščite zdravniško pomoč.
- Baterijo uporabljajte v okolju s temperaturami med  $-10\text{ }^{\circ}\text{C}$  in  $40\text{ }^{\circ}\text{C}$ .
- Baterije ali polnilnika nikoli ne čistite z vodo. Glejte *Čiščenje baterije in baterijskega polnilnika na strani 529*.
- Ne uporabljajte poškodovanih ali pokvarjenih baterije.
- Baterije med skladiščenjem ne smejo priti v stik s kovinskimi predmeti, na primer žebli, kovanci ali nakitom.

## Varna uporaba polnilnika baterije



**OPOZORILO:** Pred uporabo izdelka preberite navodila v povezavi z opozorili v nadaljevanju.

- Za polnjenje nadomestnih baterij Husqvarna uporabljajte samo polnilnike baterij QC.
- Nevarnost električnega udara ali kratkega stika. V zračne reže polnilnika ne vstavljajte predmetov. Polnilnika baterije ne poskušajte razstaviti. Poli na polnilniku se ne smejo dotikati kovinskih predmetov. Uporabljajte homologirano omrežno vtičnico.
- Izdelek med delovanjem ustvarja elektromagnetno polje. To polje lahko v nekaterih pogojih moti delovanje aktivnih ali pasivnih medicinskih vsadkov. Uporabnikom medicinskih vsadkov svetujemo, da se pred uporabo tega izdelka posvetujejo z zdravnikom ali proizvajalcem medicinskega vsadka, s čimer zmanjšajo nevarnost resnih ali smrtnih poškodb.
- Redno preverjajte, da napajalni kabel polnilnika ni poškodovan in ni napokan.
- Polnilnika baterije ne dvigujte za napajalni kabel. Polnilnik baterije odklopite iz stenske vtičnice tako, da povlečete vtič. Nikoli ne vlecite za napajalni kabel.
- Pazite, da se napajalni kabel in kabelski podaljški ne dotaknejo vode, olja in ostrih robov. Kabli ne smejo biti preščipnjeni med vrata, ograje in podobne dele. Zaradi tega je lahko polnilnik pod napetostjo.
- Polnilnika baterije nikoli ne čistite z vodo.
- Polnilec baterije lahko uporabljajo otroci, stari 8 let in več, ter osebe z omejenimi telesnimi, zaznavalnimi ali duševnimi sposobnostmi ali s pomanjkanjem izkušenj in znanja, če so pri tem pod nadzorom ali jih o varni uporabi ter morebitnih nevarnostih podučijo odgovorna oseba. Otroci se s polnilnikom ne smejo igrati. Otroci naprave brez nadzora ne smejo čistiti, ali opravljati običajnih uporabnikovih vzdrževalnih posegov.
- V baterijskem polnilniku ne polnite baterij za enkratno uporabo.
- Polnilnika baterije ne uporabljajte v bližini gorljivih materialov ali materialov, ki povzročajo korozijo. Ne pokrivajte polnilnika baterije. V primeru dima ali požara izvlecite vtič polnilnika baterije.

- Ne uporabljajte poškodovanega ali pokvarjenega polnilnika baterije.
- Baterijo polnite le v zaprtih prostorih z dobrim prezračevanjem, kjer je zaščitena pred neposredno sončno svetlobo. Baterijske enote ne polnite v stiku z vodo ali vlago.
- Vzdrževalna dela opravite tako, kot piše v teh navodilih za uporabo. Zahtevnejše posege mora opraviti pooblaščen serviser.
- Pri delu z rezalno opremo morate nositi močne zaščitne rokavice. Rezilo je izjemno ostro, zato lahko hitro pride do ureznin.

## Varnostna navodila za vzdrževanje



**OPOZORILO:** Pred uporabo izdelka preberite navodila v povezavi z opozorili v nadaljevanju.

- Za preprečevanje neželenega zagona med vzdrževanjem morate varnostni ključ obrniti v položaj 0 in odstraniti baterijo. Pred začetkom vzdrževalnih del počakajte najmanj 5 sekund.
- Vzdrževalna dela opravljajte pravilno in tako podaljšajte življenjsko dobo izdelka ter zmanjšajte nevarnost nesreč. Pooblaščen serviser naj opravi popravila, za katera je zahtevano profesionalno osebje. Za več informacij se obrnite na najbližjega servisnega zastopnika.
- Za najboljše in najvarnejše delovanje morajo biti rezalni robovi ostri in čisti.
- Izdelek naj redno preverja in po potrebi nastavlja ter popravlja pooblaščen servisna delavnica.
- Zamenjajte poškodovane, obrabljene ali zlomljene dele.
- Upoštevajte navodila za zamenjavo dodatne opreme. Uporabljajte samo dodatno opremo, ki jo odobri proizvajalec.
- Ko izdelka ne uporabljate, morate izdelek, baterijo in polnilnik baterije hraniti ločeno v suhem, zaprtem in zaklenjenem prostoru. Otroci in osebe, katerim uporaba ni dovoljena, ne smejo imeti dostopa do izdelka, baterije ali polnilnika baterije.

# Montaža

## Uvod



**OPOZORILO:** Preden sestavite izdelek, preberite poglavje o varnosti.



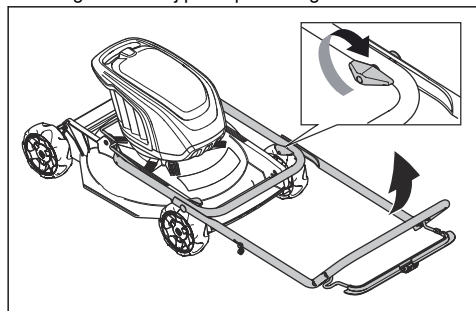
**OPOZORILO:** Neželen vklop med sestavljanjem preprečite tako, da ključ obrnete v položaj 0, odstranite baterijo in počakate vsaj 5 sekund.

## Montaža ročice

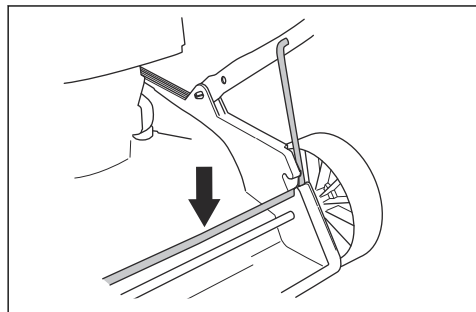


**POZOR:** Ne zvijajte žičnih poteg.

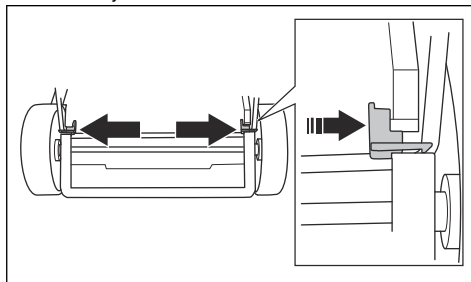
1. Poravnajte odprtine v zgornjem delu ročaja z odprtinami v spodnjem delu ročaja.
2. Gumbna vijaka na desni in levi strani popolnoma zategnite in ročaj preklpite navzgor.



3. Nastavek vstavite v vdolbino na kosišču.



4. Namestite 2 varovali za zaklep nastavka in ročice. Potisnite jih do konca.



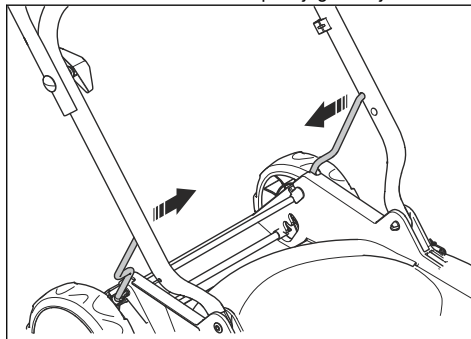
**Opomba:** Na voljo sta 2 varovali, eno z oznako H, drugo pa z V. Varovalo s črko H vstavite na desno stran, varovalo z oznako V pa na levo stran.



**POZOR:** Če 2 varovali nista nameščeni, izdelka ne uporabljajte.

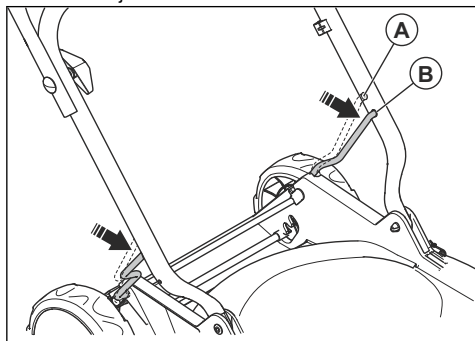
## Nastavitev višine ročice

1. Držalo ročice odstranite s spodnjega ročaja.



- a) Držalo ročice vstavite v zgornjo odprtino (A) za znižanje višine ročice.

- b) Držalo ročice vstavite v spodnjo odprtino (A) za zvišanje višine ročice.



## Delovanje

### Uvod



**OPOZORILO:** Pred uporabo izdelka morate prebrati in razumeti poglavje o varnosti.

### Husqvarna Connect

Husqvarna Connect je brezplačna aplikacija za vašo mobilno napravo. Aplikacija Husqvarna Connect omogoča razširitev funkcij vašega izdelka Husqvarna:

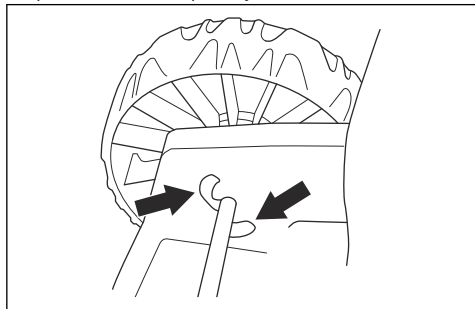
- Dodatne informacije o izdelku.
- Informacije o izdelku, delih in servisu ter pomoč.

### Začetek uporabe: Husqvarna Connect

1. V mobilno napravo si prenesite aplikacijo Husqvarna Connect.
2. Registrirajte se v aplikaciji Husqvarna Connect.
3. Za vzpostavitev povezave in registracijo izdelka sledite navodilom v aplikaciji Husqvarna Connect.

### Nastavitev višine košnje

- Vsako ročico od 4 koles povlecite navzven in jo prestavite v zeleni položaj.



**POZOR:** Ne nastavite višino rezanja prenizko. Režila lahko trčijo ob tla, če površina travnika ni ravna.

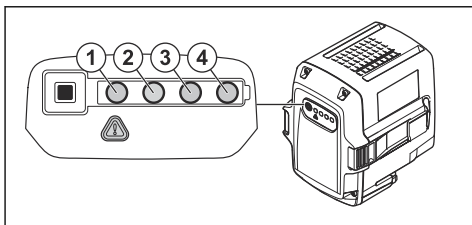
### Baterija



**OPOZORILO:** Pred uporabo baterije morate prebrati in razumeti poglavje o varnosti. Prebrati in razumeti morate tudi navodila za uporabo, ki so priložena bateriji in polnilniku.

### Stanje baterije

Na zaslonu je prikazana preostala napolnjenost baterije in podatki o morebitnih težavah z baterijo. Napolnjenost baterije je prikazana še 5 sekund po izklopu naprave ali pritisku gumba indikatorja baterije. V primeru napake sveti na bateriji opozorilni indikator. Glejte *Baterija na strani 530*.



Indikatorji LED	Stanje baterije
Vsi indikatorji LED svetijo	Polna napolnjenost (75–100 %)
Svetijo indikatorji LED 1, 2 in 3	50–75-odstotna napolnjenost

Indikatorji LED	Stanje baterije
Svetila indikatorji LED 1 in 2	25–50-odstotna napolnjenost
Sveti indikator LED 1	0–25-odstotna napolnjenost
Indikator LED 1 utripa	Baterija je prazna. Napolnite baterijo.

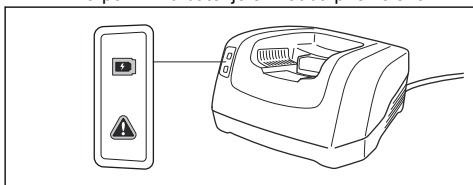
## Polnjenje baterije

Baterijo pred prvo uporabo napolnite. Baterija je ob dobavi napolnjena na 30 %.

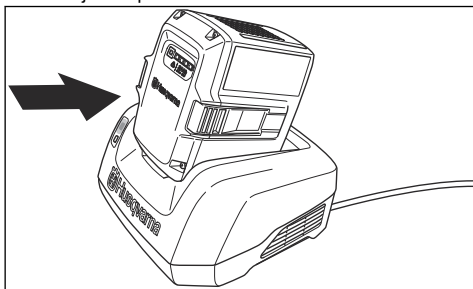
**Opomba:** Baterijski polnilnik mora biti priključen na napetost in frekvenco, ki sta navedena na tipski plošči.

Če je temperatura baterije višja od 50 °C, se ne polni. Polnilnik baterije pred polnjenjem zniža temperaturo baterije.

1. En konec napajalnega kabla vstavite v konektor v polnilniku baterije.
2. Drugi konec napajalnega kabla polnilnika priklopite v primerno ozemljeno električno vtičnico. Indikator LED na polnilniku baterije enkrat utripne zeleno.



3. Baterijo vstavite v polnilnik baterije. Zeleni indikator na polnilniku se vklopi, ko je baterija pravilno vstavljena v polnilnik.



4. Ko se vsi indikatorji LED na bateriji vklopijo, je baterija popolnoma napolnjena. Baterijo polnite največ 24 ur.
5. Polnilnik baterije iz stenske vtičnice izvlecite za vtič, ne za kabl.
6. Odstranite baterijo iz polnilnika.

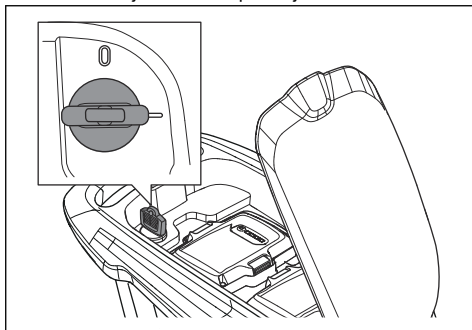
## Stanje napoljenosti baterije

Litij-ionske baterije Husqvarna lahko polnite in uporabljate pri vseh nivojih napoljenosti. Baterija se ne poškoduje. Napolnjenost popolnoma napolnjene baterije ne pada, če jo pustite v polnilniku.

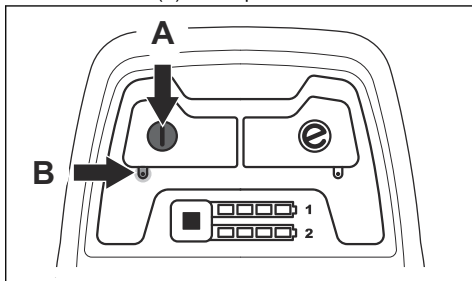
Indikatorji LED	Stanje napoljenosti
Indikator LED 1 utripa	0–25 %
LED 1 sveti, LED 2 utripa	25–50 %
LED 1 in 2 svetita, LED 3 utripa	50–75 %
LED 1, 2 in 3 svetijo, LED 4 utripa	75–100 %
LED 1, 2, 3 in 4 svetijo	Polna napolnjenost

## Zagon izdelka

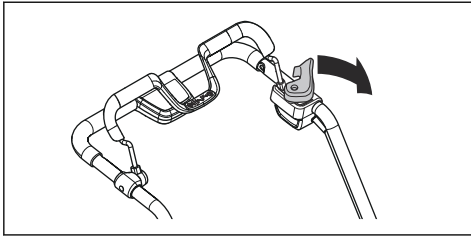
1. Napolnjeno baterijo vstavite v prostorček 1 pod pokrovom baterije. Za daljše delovanje v prostorček 2 vstavite še eno napolnjeno baterijo.
2. Varnostni ključ obrnite v položaj 1.



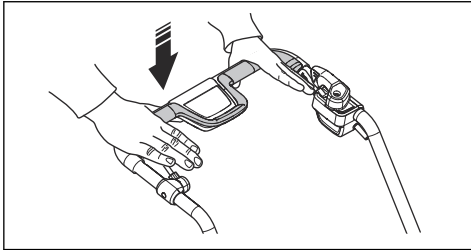
3. Ostanite za izdelkom.
4. Pritisnite gumb VKLOP/IZKLOP (A) na krmilni plošči in zelena LED (B) se vklopi.



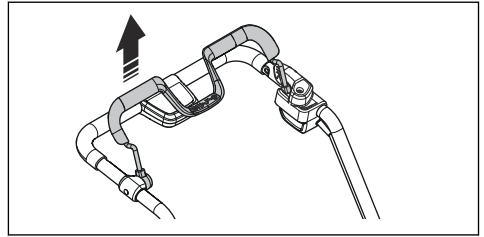
5. Sprostite blokado vžiga.



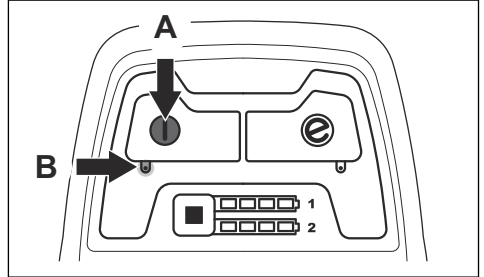
6. Ročico motorne zavorne potisnite v smer ročaja.



1. Za izklop motorja sprostite ročico motorne zavorne.



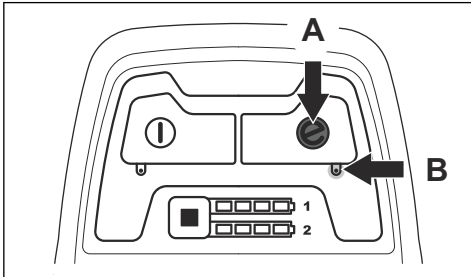
2. Pritisnite gumb VKLOP/IZKLOP (A) na krmilni plošči in zelena LED (B) se izklopi.



## Za uporabo funkcije SavE

Izdelek je opremljen s funkcijo varčevanja z baterijo (SavE), ki omogoča daljši čas delovanja.

1. Pritisnite gumb SavE (A) za začetek izvajanja funkcije. Zelena LED se vklopi.



2. Znova pritisnite gumb SavE za konec izvajanja funkcije. Zelena LED (B) se izklopi.

Funkcija SavE se samodejno izklopi, če je zaradi pogojev tal potrebna večja moč. Funkcija SavE se samodejno zažene, ko pogoji tal to dopuščajo.

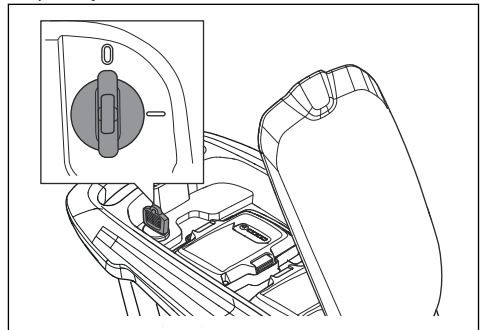
## Funkcija visoke obremenitve

Ko izdelek kosi dolgo ali mokro travo, motor samodejno poveča število vrtljajev. Motor znova preklopi v normalni način, ko višja obremenitev ni več potrebovana.

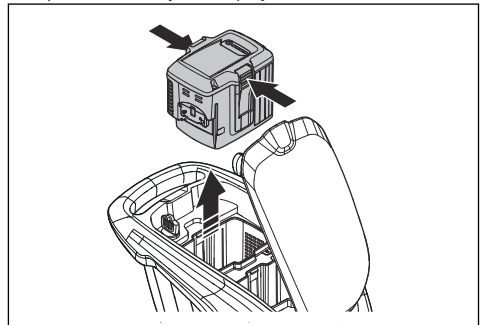
## Izklop izdelka

Izdelek se samodejno izklopi po 10 minutah mirovanja. Pred zapuščanjem izdelka morate varnostni ključ obvezno obrniti v položaj 0.

3. Odprite pokrov baterije in varnostni ključ obrnite v položaj 0.



4. Za odstranitev baterije pritisnite dva gumba za sprostitve baterije, nato pa jo izvlcite.



5. Napolnite baterijo, če je izpraznjena. Za več informacij glejte *Polnjenje baterije na strani 526*.

## Kako doseči dober rezultat

- Vedno uporabljajte ostra rezila. Če uporabljate topo rezilo, bo trava pokošena neenakomerno, ob zarezah pa lahko postane tudi rumena. Ostro rezilo prav tako porabi manj energije kot topo rezilo.
- Ne odrežite več kot tretjino dolžine travnih bilk. Najprej kosite z visoko nastavitvijo višine košnje. Preglejte rezultat in nastavite višino košnje na ustrezno višino. Če je trava zelo visoka, vozite počasi in po potrebi kosite dvakrat.

- Vsakič kosite v različnih smereh, da se na travi ne bi pojavile črte.
- Pokrov kosišča mora biti čist. Obloge iz trave in umazanije na notranji strani pokrova kosišča lahko zmanjša učinkovitost košnje. Glejte *Čiščenje izdelka na strani 529*.

## Vzdrževanje

### Uvod



**OPOZORILO:** Pred izvajanjem vzdrževalnih del morate prebrati in razumeti poglavje o varnosti.

Za servisiranje in popravila na izdelku posebno usposabljanje ni potrebno. Zagotavljamo, da vam bodo na voljo strokovna popravila in servisiranje. Če vaš

prodajalec ni pooblaščen serviser, ga povprašajte, kje je naslednja najbližja pooblaščen servisna delavnica.

### Urnik vzdrževanja

Izračunani intervali vzdrževanja veljajo za vsakodnevno uporabo izdelka. Intervali se spremenijo, če izdelka ne uporabljate vsakodnevno.

Za vzdrževalna dela, označena z \*, glejte navodila v *Varnostne naprave na izdelku na strani 520*.

	Pri vsaki uporabi	Mesečno	Vsako sezono
Opravite splošen pregled	X		
Izdelek očistite	X		
Preverite blokado vžiga *	X		
Prepričajte se, da varnostne naprave izdelka niso poškodovane *	X		
Preglejte rezalno opremo	X		
Preglejte pokrov rezila *	X		
Preverite parkirno zavoro *	X		
Prepričajte se, da gumb za VKLOP/IZKLOP deluje pravilno in ni pokvarjen	X		
Preverite, ali je baterija poškodovana	X		
Preverite napolnjenost baterije	X		
Prepričajte se, da gumba za sprostitvev na bateriji delujeta pravilno in omogočata pravi zaklep baterije v izdelku	X		
Preverite, ali je polnilnik baterije poškodovan, in se prepričajte, da pravilno deluje.		X	
Preverite povezave med baterijo in izdelkom. Preverite tudi povezave med baterijo in polnilnikom baterije.			X

### Izvajanje splošnih pregledov

- Prepričajte se, da so matice in vijaki na izdelku dobro priviti.

- Prepričajte se, da kablji na izdelku niso v položaju, v katerem bi se lahko poškodovali.



## Čiščenje izdelka

- Plastične dele čistite s čisto in suho krpo.
- Izdelka ne čistite z vodo. Voda lahko vdre v baterijo ali motor in povzroči kratki stik ali poškoduje izdelek.
- Izdelka ne čistite z visokotlačnim čistilnikom.
- Vode ne zlivajte neposredno na motor.
- S krtačo odstranite listje, travo in umazanijo.

## Čiščenje baterije in baterijskega polnilnika



**OPOZORILO:** Baterije ali polnilnika nikoli ne čistite z vodo.

- Pred vstavljanjem baterije v polnilnik baterije se prepričajte, da sta baterija in polnilnik baterije čista in suha.
- Pola baterije očistite s stisnjenim zrakom ali za čiščenje uporabite mehko in suho krpo.
- Površine baterije in polnilnika očistite z mehko in suho krpo.

## Kako pregledati rezalno opremo



**OPOZORILO:** Neželen vklop preprečite tako, da varnostni ključ obrnete v položaj 0, odstranite baterijo in počakate vsaj 5 sekund.



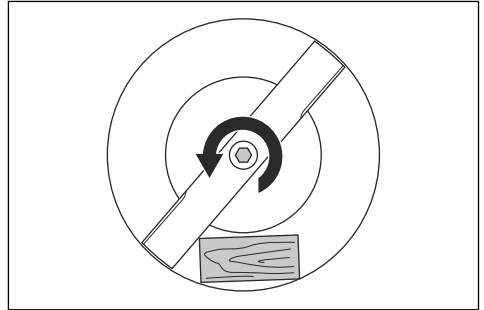
**OPOZORILO:** Pri vzdrževanju rezalne opreme uporabite zaščitne rokavice. Rezilo je izjemno ostro, zato lahko hitro pride do uresznin.

1. Preverite, ali je rezalna oprema poškodovana oziroma razpokana. Če je rezalna oprema poškodovana, jo zamenjajte.
2. Preverite, ali je rezilo poškodovano ali topo.

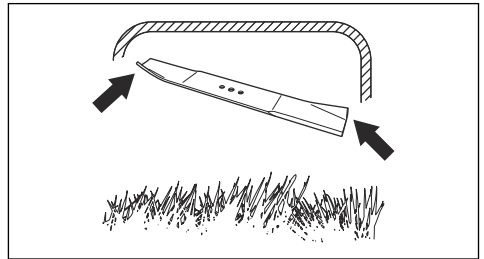
**Opomba:** Rezilo morate po brušenju postaviti v ravnovesje. Izdelek peljite na servisni center, da rezilo nabrusijo, zamenjajo in uravnovesijo. Če trčite ob oviro in se izdelek ustavi, zamenjajte poškodovano rezilo. Pooblaščen servisna delavnica naj oceni, ali lahko rezilo izostrijo ali pa ga je treba zamenjati.

## Zamenjava rezil

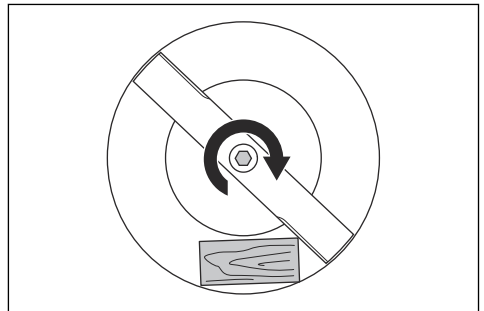
1. Rezilo blokirajte z leseno klado.



2. Odstranite vijak rezila.
3. Odstranite rezilo.
4. Preverite, ali sta nosilec in vijak rezila poškodovana.
5. Preverite motorno gred in se prepričajte, da ni zvita.
6. Ko pritrđite novo rezilo, usmerite nagnjene strani rezila v smer pokrova rezila.



7. Prepričajte se, da je rezilo poravnano s središčem motorne gredi.
8. Rezilo blokirajte z leseno klado. Pritrdite podložko vzmeti in privijte vijak in podložko z zateznim momentom 23–28 Nm.



9. Ročno zavrtite rezilo in se prepričajte, da se prosto obrača.



**OPOZORILO:** Nosite trpežne rokavice. Rezilo je izjemno ostro, zato lahko hitro pride do ureznin.

10. Izdelek vklopite, da preizkusite rezilo. Če rezilo ni pritrjeno pravilno, bo izdelek vibriral, rezultat košnje pa ne bo zadovoljiv.

## Odpravljanje težav

### Baterija

LED na bateriji	Vzrok	Rešitev
Zeleni indikator LED utripa	Napetost baterije je prenizka.	Napolnite baterijo. Glejte <i>Polnjenje baterije na strani 526</i> .
Indikator LED za napako utripa.	Napolnjenost baterije je nizka.	Napolnite baterijo. Glejte <i>Polnjenje baterije na strani 526</i> .
	Temperatura v delovnem okolju je previsoka ali prenizka.	Baterijo uporabljajte v okolju s temperaturami med $-10\text{ °C}$ in $40\text{ °C}$ .
	Prenapetost.	Prepričajte se, ali je napetost omrežja enaka napetosti, navedeni na tipski ploščici izdelka. Odstranite baterijo iz polnilnika. Počakajte 5 sekund in baterijo poskusite napolniti znova. Če napake ne morete odpraviti, se obrnite na pooblaščenega servisnega zastopnika.
Indikator LED za napako sveti.	Razlika med celicami je prevelika (1 V).	Obrnite se na pooblaščenega servisnega zastopnika.

### Polnilnik baterije

LED na polnilniku baterije	Vzrok	Rešitev
Indikator LED za napako utripa.	Temperatura v delovnem okolju je previsoka ali prenizka.	Polnilnik baterije uporabljajte v okolju s temperaturami med $5\text{ °C}$ in $40\text{ °C}$ .
Indikator LED za napako sveti.		Obrnite se na pooblaščenega servisnega zastopnika.

### Kontrolna plošča

Za težave, ki niso krite v tem poglavju, se obrnite za servisnega zastopnika.

Tipkovnica	Koda napake (število utripov)	Možne napake	Možen ukrep
Dioda LED za napako utripa	3	Motor preobremenjen	Dvig višine košnje. Glejte <i>Nastavitev višine košnje na strani 525</i> .
	5	Število vrtljajev motorja pade preveč in motor se izklopi	
	10	Krmilnik motorja je prevroč	Izklopite motor in počakajte, da se ohladi
	2	Rezilo je blokirano	Neželen vklop preprečite tako, da varnostni ključ obrnete v položaj 0, odstranite baterijo in počakate vsaj 5 sekund. Prepričajte se, da se lahko rezilo neovirano vrti. Če se napaka ponavlja, se obrnite na pooblaščenega servisnega zastopnika
	9	Napaka baterije ali baterija ne oddaja signala	Baterijo pravilno vstavite v izdelek in preverite priključek baterije. Če indikator LED za napako utripa, glejte <i>Baterija na strani 525</i> .
Izdelek se ustavi	8	Napolnjenost baterije je nizka	Napolnite baterijo. Glejte <i>Polnjenje baterije na strani 526</i> .
	0	Napaka priključka baterije	Preverite priključek baterije

## Transport skladiščenje in odstranitev

### Uvod



**OPOZORILO:** Nenačrtovan vklop med transportom preprečite tako, da ključ obrnete v položaj 0, odstranite baterijo in počakate vsaj 5 sekund.

### Prevoz

- Za vstavljene litij-ionske baterijske enote veljajo zahteve zakonodaje o nevarnem blagu.
- Pri transportu v komercialne namene morate upoštevati posebne zahteve, navedene na pakiranju in nalepkah.
- Pri pripravi izdelka za transport morate upoštevati uredbe za ravnanje z nevarnimi materiali. Veljajo lokalni predpisi.
- Baterijo pri prevozu vedno odstranite.
- Na priključke baterije namestite izolacijski trak in se prepričajte, da se baterija med transportom ne more premikati.
- Med izdelek pritrdite.

### Skladiščenje

- Baterijo pri skladiščenju vedno odstranite.
- Za preprečevanje nesreč baterija med skladiščenjem ne sme biti priklopljena.

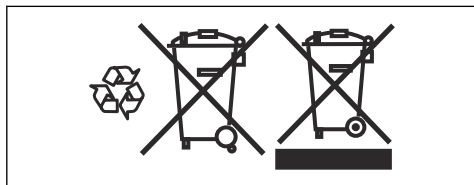
- Polnilnik baterije vedno hranite v zaprtem in suhem prostoru.
- Baterijo in polnilnik baterije hranite v zaprtem prostoru, kjer ni vlage ali nevarnosti zamrzovanja.
- Med shranjevanjem baterijo odstranite iz polnilnika.
- Baterijske ne shranjujte na mestu, kjer je lahko prisotna statična elektrika. Baterije ne shranjujte v kovinski škatli.
- Baterijo hranite v prostoru s temperaturo med 5 °C in 25 °C, ki je zaščiten pred neposredno sončno svetlobo.
- Polnilnik baterije hranite v prostoru s temperaturo med 5 °C in 45 °C, ki je zaščiten pred neposredno sončno svetlobo.
- Pred dolgotrajnejšim skladiščenjem mora biti baterija napolnjena med 30 % in 50 %.
- Izdelek, baterijo in polnilnik hranite v zaklenjenem prostoru, do katerega otroci in nepooblaščen osebe nimajo dostopa.
- Pred dolgotrajnejšim skladiščenjem izdelek očistite in opravite popoln servis.

### Odlaganje

Simboli na izdelku ali njegovi embalaži opozarjajo, da izdelek ne smete obravnavati kot gospodinjstvega odpadka. Odnesti ga je treba v ustrezno zbirališče, kjer

bodo poskrbeli za recikliranje električnih in elektronskih naprav.

Z zagotavljanjem pravilne obravnave izdelka boste pomagali preprečiti njegov morebiten škodljiv učinek na okolje in ljudi, do katerega bi lahko prišlo, kot posledica nepravilnega upravljanja z odpadki. Podrobnejše informacije o recikliranju tega izdelka lahko dobite v svoji občini, v komunalnem podjetju ali v trgovini, kjer ste ga kupili.



## Tehnični podatki

	<b>LB 146i</b>
<b>Motor rezalne enote</b>	
Tip motorja	BLDC (brezkrtačni enosmerni) 36 V
Št. vrt. motorja – SavE, vrt/min	2600
Št. vrt. motorja – nazivno, vrt/min	3000
Št. vrt. motorja – visoka obremenitev, vrt/min	3500
Najvišja izhodna moč motorja v kW	1,05
Nazivna izhodna moč motorja v kW	0,9
Omejitev nadtoka (omejitev toka: 900W-27A)	27 (+/-) 1A
<b>Teža</b>	
Teža brez baterije v kg	16,9
<b>Akumulator<sup>93</sup></b>	
Vrsta baterije	Serija baterij Husqvarna
<b>Avtonomija baterije</b>	
Avtonomija baterije, najkrajša, (prosto delovanje) z aktivirano funkcijo SavE, z eno baterijo Husqvarna z močjo 5,2 Ah (BLi200).	77
Avtonomija baterije, najkrajša, (prosto delovanje) z aktiviranim standardnim načinom, z eno baterijo Husqvarna moči 5,2 Ah (BLi200).	45
<b>Emisije hrupa<sup>94</sup></b>	
Raven zvočne moči, izmerjena v dB(A)	90
Raven zvočne moči, zajamčena L <sub>WA</sub> v dB(A)	91

<sup>93</sup> Za čim boljše rezultate in zmožljivost je priporočena uporaba baterije Husqvarna BLi200.

<sup>94</sup> Emisije hrupa v okolje, merjene kot moč zvoka (L<sub>WA</sub>), v skladu z direktivo ES 2000/14/ES.

	<b>LB 146i</b>
<b>Nivoji hrupa</b> <sup>95</sup>	
Nivo zvočnega tlaka pri ušesu operaterja, dB(A)	79
<b>Ravni vibracij</b> <sup>96</sup>	
Ročaj, m/s <sup>2</sup>	0,9
<b>Rezalna oprema</b>	
Višina reza v mm	35-70 mm
Širina reza v cm	46
Rezilo	BioClip
Številka izdelka	5947022-10

Homologirane baterije	Vrsta	Zmogljivost baterije, Ah	Napetost, V	Teža, lb/kg
BLi20	Litij-ionska	4,0	36	1,2/2,6
BLi200	Litij-ionska	5,2	36	1,3/2,8
BLi300	Litij-ionska	9,4	36	4,2/1,9

Odobreni polnilniki za določene baterije, BLi	Vhodna napetost, V	Frekvenca, Hz	Moč, W
QC80	100–240	50–60	100
QC80F	10–15	Ni navedeno	95
QC330	100–240	50–60	330
QC500	100–240	50–60	500
40-C80	100–240	50–60	68,8

<sup>95</sup> Zabeleženi podatki za nivo zvočnega tlaka imajo tipično statistično razpršitev (standardni odklon) 1,2 dB(A).

<sup>96</sup> Zabeleženi podatki za raven tresljajev imajo tipično statistično razpršitev (standardni odklon) v višini 0,2 m/s<sup>2</sup>. Standard za vibracije EN 60335-2-77:2017; poglavje 20.105

---

## Izjava ES o skladnosti

---

### Izjava ES o skladnosti

**Husqvarna AB**, SE-561 82 Huskvarna, Sweden, tel:  
+46-36-146500, izjavlja, da je kosilnica **Husqvarna**  
**LB 146i** od modelnega leta 2021 dalje v skladu z  
zahtevami DIREKTIVE SVETA:

- z dne 8. junija 2011 o omejevanju uporabe nekaterih nevarnih snovi v električni in elektronski opremi, **2011/65/EU**
- z dne 17. maja 2006, ki se nanaša na stroje, **2006/42/ES**
- z dne 26. februarja 2014 o elektromagnetni združljivosti **2014/30/EU**
- z dne 8. maja 2000 o emisijah hrupa v okolje **2000/14/ES**

Informacije v zvezi z emisijo hrupa so na voljo v poglavju "Tehnični podatki".

Uporabljeni so naslednji standardi:

**EN 60335-1:2012+A11:2014+A13:2017, EN 60335-2-77:2010, EN 62233:2008, EN 55014-1:2017+A11:2020, EN 55014-2:2015, EN IEC 63000:2018**

Če ni drugače navedeno, zgoraj navedeni standardi veljajo kot najnovejše objavljene različice.

Priglašeni organ: **0404, RISE SMP Svensk Maskinprovning AB, Box 7035, SE-750 07 Uppsala** je opravil oceno skladnosti v skladu s prilogo VI direktive 2000/14/ES.

Huskvarna, 2021-10-30



Claes Losdal, Vodja oddelka za razvoj vrtno opreme  
(Pooblaščen zastopnik družbe Husqvarna AB in odgovorni za sestavo tehnične dokumentacije.)

## Sadržaj

Uvod.....	535	Rešavanje problema.....	551
Bezbednost.....	537	Transport, skladištenje i odlaganje.....	553
Sklapanje.....	545	Tehnički podaci.....	554
Rukovanje.....	546	EZ deklaracija o usaglašenosti.....	556
Održavanje.....	549		

## Uvod

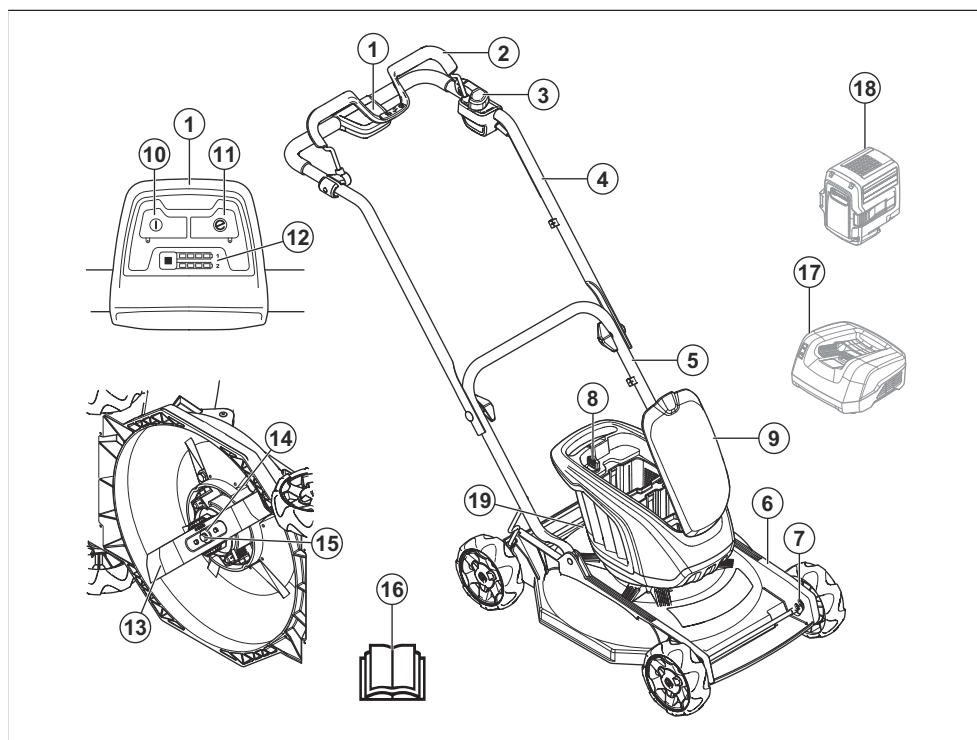
### Opis proizvoda

Proizvod je rotirajuća kosačica koju gura korisnik, a koja koristi BioClip za seckanje trave u đubrivo.

### Namena

Koristite proizvod za košenje trave. Nemojte koristiti proizvod za druge zadatke.

### Pregled proizvoda



- |                           |  |
|---------------------------|--|
| 1. Kontrolna tabla        | 8. Bezbednosni ključ                                   |
| 2. Ručica kočnice motora  | 9. Poklopac akumulatora                                |
| 3. Inhibitor pokretanja   | 10. Dugme za uključivanje/isključivanje (ON/OFF)       |
| 4. Gornja ručica          | 11. Dugme Save   |
| 5. Donja ručica           | 12. Indikator punjenja akumulatora i dugme akumulatora |
| 6. Poklopac košenja       | 13. Sečivo   |
| 7. Komanda visine košenja | 14. Opružna podloška                                   |

15. Zavrtnaj noža
16. Korisničko uputstvo
17. Punjač akumulatora (oprema)
18. Akumulator (oprema)
19. Nazivna pločica sa QR šifrom

## Simboli na proizvodu



Upozorenje: Nepažljiva ili nepravilna upotreba može dovesti do povrede ili smrti rukovaoca ili drugih osoba.



Pre korišćenja pažljivo pročitajte korisničko uputstvo i uverite se da razumete njegov sadržaj.



Pazite da ljudi i životinje budu na bezbednoj udaljenosti od radnog područja.



Pazite na odbačene predmete i odskakivanja.



Upozorenje: Udaljite šake i stopala od rotirajućeg sečiva.



Upozorenje: Udaljite šake i stopala od rotirajućih delova.



Uklonite bezbednosni ključ pre popravke ili održavanja proizvoda.



Nemojte izlagati kiši



Ovaj proizvod ili pakovanje ne treba tretirati kao kućni otpad. Reciklirajte ga na lokaciji za recikliranje električne i elektronske opreme.



Proizvod je usaglašen sa važećim EZ direktivama.



Proizvod je usaglašen sa važećim direktivama Evroazijske carinske unije.



Proizvod je usaglašen sa važećim UkrSEPRO direktivama.



Proizvod je usaglašen sa važećim RCM direktivama. Primenjivo samo za Australiju/Novi Zeland



Emisije buke u životnoj sredini prema Direktivi Evropske zajednice. Emisije proizvoda su navedene u poglavlju Tehnički podaci i na nalepnici.



IPX1 – zaštita od kapanja





Postupak pokretanja: pritisnite dugme za uključivanje/isključivanje (ON/OFF), olabavite inhibitor pokretanja, pritisnite ručicu kočnice motora.



Otpustite ručicu kočnice motora za zaustavljanje.

**Napomena:** Ostali simboli/nalepnice koji su navedeni na proizvodu važe za specifične zahteve sertifikata na određenim tržištima.

### Nalepnica na proizvodu



OPASNOST – udaljite šake i stopala.

### Odgovornost za proizvod

Kako je izloženo u zakonima o odgovornosti za proizvode, mi nismo odgovorni za oštećenja prouzrokovana našim proizvodom u sledećim slučajevima:

- proizvod je popravljen na pogrešan način
- proizvod je popravljen korišćenjem delova koji nisu napravljeni ili odobreni od strane proizvođača
- proizvod ima opremu koja ne potiče ili nije odobrena od strane proizvođača
- proizvod nije popravljen u ovlašćenom servisnom centru ili od strane ovlašćenog stručnjaka

---

## Bezbednost

---

### Bezbednosne definicije

Upozorenja, mere opreza i napomene se koriste da ukažu na naročito važne delove korisničkog uputstva.



**UPOZORENJE:** Koristi se ako, usled nepoštovanja uputstava, postoji rizik od nastanka telesnih povreda ili smrti

kod rukovaoca ili prisutnih osoba.

---



**OPREZ:** Koristi se ako, usled nepoštovanja uputstava, postoji rizik od nastanka oštećenja na proizvodu, drugim materijalima ili susednim oblastima.

---

**Napomena:** Koristi se za pružanje više informacija koje su neophodne u datoj situaciji.

---

### Opšta bezbednosna uputstva

---



**UPOZORENJE:** Pročitajte upozoravajuća uputstva koja slede pre korišćenja proizvoda.

---

- Proizvod je opasan ako se koristi na nepravilan način ili ako niste oprezni. Može doći do telesne povrede ili smrti ako se ne pridržavate bezbednosnih uputstava.
- Ovaj proizvod pri radu stvara elektromagnetno polje. Ovo polje u određenim uslovima može da izazove smetnje na aktivnim i pasivnim medicinskim implantatima. U cilju smanjenja rizika od

uslova nastanka teških ili smrtnih telesnih povreda, preporučujemo osobama koje imaju medicinske implantate da se pre upotrebe ovog proizvoda konsultuju sa lekarom ili proizvođačem implantata.

- Uvek budite pažljivi i koristite zdrav razum. Ako niste sigurni kako da rukujete proizvodom u određenoj situaciji, prekinite rad i obratite se Husqvarna prodavcu pre nastavka rada.
- Imajte na umu da će se rukovalac smatrati odgovornim za nesrećne slučajeve koji uključuju druge osobe ili njihovu imovinu.
- Održavajte proizvod čistim. Pobrinite se da jasno možete pročitati znakove i nalepnice.
- Nikada nemojte dozvoliti deci ili osobama koje nisu pročitale ova uputstva da koriste uređaj. Uzrast rukovaoca je možda ograničen lokalnim propisima
- Uvek nadzirite osobu sa smanjenim fizičkim ili mentalnim sposobnostima koja koristi proizvod. Odgovorna odrasla osoba mora biti prisutna sve vreme.
- Nemojte da koristite proizvod kada ste umorni, bolesni ili pod uticajem alkohola, droge

ili lekova. To ima negativan uticaj na vašu moć vida, opreznost, koordinaciju i rasuđivanje.

- Nemojte da koristite proizvod ako je pokvaren.
- Nemojte vršiti izmene na proizvodu i nemojte koristiti proizvod ako postoji mogućnost da su druge osobe vršile izmene na njemu.

## Bezbednost u radnom području

---



### UPOZORENJE:

Pročitajte upozoravajuća uputstva koja slede pre korišćenja proizvoda.

---

- Uklonite predmete kao što su grane, grančice i kamenje iz radnog područja pre nego što počnete da koristite proizvod.
- Predmeti koji udare o opremu za košenje mogu da budu izbačeni i izazovu povredu osoba ili oštećenje predmeta. Pazite da prisutne osobe i životinje budu na bezbednoj udaljenosti od proizvoda.
- Nikada nemojte koristiti proizvod u lošim vremenskim uslovima kao što su magla, kiša, jak vetar, intenzivna hladnoća i kada postoji opasnost od pojave munja. Korišćenje proizvoda u lošim

vremenskim uslovima ili na vlažnim lokacijama je zamorno. Loši vremenski uslovi mogu da izazovu opasne okolnosti, kao što su klizave površine.

- Vodite računa o osobama, predmetima i situacijama koji bi mogli da spreče bezbedan rad proizvoda.
- Pazite na prepreke, kao što su korenje, kamenje, grančice, jame i jarci. Visoka trava može da sakrije prepreke.
- Košenje trave na nagibima može biti opasno. Ne kosite na izuzetno strmim nagibima. Nemojte koristiti proizvod na terenu koji ima nagib veći od 15°
- Strogo vodite računa pri promeni smera na nagibima. Rukujte proizvodom preko prednjih strana nagiba. Nemojte ga pomerati gore i dole.
- Budite pažljivi kada se približavate skrivenim uglovima i predmetima koji bi mogli da blokiraju vaš vidik.

## Bezbednost na radu

---



### UPOZORENJE:

Pročitajte upozoravajuća uputstva koja slede pre korišćenja proizvoda.

---

- Koristite ovaj proizvod samo za košenje travnjaka. Nije dozvoljeno njegovo korišćenje za druge zadatke.
  - Koristite ličnu zaštitnu opremu. Pogledajte *Lična zaštitna oprema na stranici 541*.
  - Naučite kako da brzo zaustavite motor u slučaju opasnosti.
  - Nemojte raditi sa proizvodom po kiši ili u vlažnim uslovima. Opasnost od strujnog udara se povećava ako voda prodre u proizvod.
  - Nemojte raditi sa proizvodom ako sečivo i svi poklopci nisu pravilno postavljeni. Nepravilno postavljeno sečivo se može otkaçiti i prouzrokovati telesnu povredu.
  - Pobrinite se da sečivo ne udara o predmete kao što su kamenje ili korenje. To može dovesti do oštećenja sečiva i savijanja osovine motora. Savijena osovina proizvodi velike vibracije i postoji povećana opasnost da se sečivo olabavi.
  - Ako sečivo udari o predmet ili ako se pojave vibracije, odmah zaustavite proizvod. Zaustavite motor, okrenite bezbednosni ključ u položaj 0 i uklonite akumulator.
- Pregledajte proizvod u pogledu oštećenja. Otklonite oštećenja ili dozvolite ovlašćenom servisnom agentu da izvrši popravku.
- Nikada nemojte postavljati ručicu kočnice motora trajno na ručku kada je motor pokrenut.
  - Postavite proizvod na stabilnu, ravnu površinu i pokrenite ga. Vodite računa da sečivo ne dodiruje tlo ili druge predmete.
  - Uvek stojte iza proizvoda kada radite sa njim.
  - Vodite računa da svi točkici ostanu na tlu i držite dve ruke na ručki kada rukujete proizvodom. Udaljite šake i stopala od rotirajućih sečiva.
  - Nemojte naginjati proizvod kada je motor pokrenut.
  - Budite pažljivi kada povlačite proizvod unazad.
  - Nikada nemojte podizati proizvod kada je motor pokrenut. Ako morate podići proizvod, prvo zaustavite motor, okrenite bezbednosni ključ u položaj 0 i uklonite akumulator.
  - Nemojte hodati unazad kada radite sa proizvodom.
  - Zaustavite motor kada se krećete preko područja bez trave, na primer, stazica

napravljenih od šljunka, kamena i asfalta.

- Nemojte trčati sa proizvodom kada je motor pokrenut. Uvek hodajte kada radite sa proizvodom.
- Zaustavite motor pre nego što promenite visinu košenja. Nikada nemojte da vršite podešavanja dok je motor pokrenut.
- Nikada nemojte dozvoliti da proizvod ostane bez nadzora dok je motor pokrenut. Zaustavite motor i uverite se da se oprema za košenje ne okreće.

## Bezbednosna uputstva za rad

### Lična zaštitna oprema



#### UPOZORENJE:

Pročitajte upozoravajuća uputstva koja slede pre korišćenja proizvoda.

- Lična zaštitna oprema ne može da u potpunosti spreči telesnu povredu, ali ona umanjuje stepen telesne povrede ako dođe do nesrećnog slučaja. Neka vam vaš prodavac pomogne u izboru odgovarajuće opreme.
- Nosite čvrste neklizajuće cizme ili cipele. Nemojte nositi obuću

sa otvorenim prstima ili ići bosonogi.

- Uvek nosite duge pantalone od čvrstog materijala.
- Nosite zaštitne rukavice po potrebi, na primer, kada pričvršćujete, pregledate ili čistite opremu za košenje.

### Bezbednosni uređaji na proizvodu



**UPOZORENJE:** Pročitajte upozoravajuća uputstva koja slede pre korišćenja proizvoda.

- Nemojte koristiti proizvod na kojem su oštećeni bezbednosni uređaji.
- Redovno proveravajte bezbednosne uređaje. Ako su bezbednosni uređaji neispravni, obratite se svom Husqvarna servisnom agentu.

### Provera poklopca mehanizma za košenje

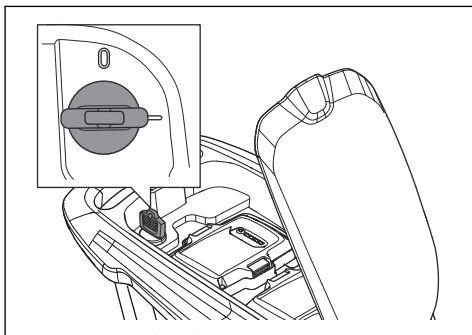
Poklopac mehanizma za košenje smanjuje vibracije u proizvodu, kao i rizik od povrede nožem.

- Pregledajte poklopac košenja kako biste se uverili da nema oštećenja kao što su naprsline.

### Bezbednosni ključ

Bezbednosni ključ se nalazi ispod poklopca akumulatora. Bezbednosni ključ povezuje akumulator koji snabdeva motor napajanjem.

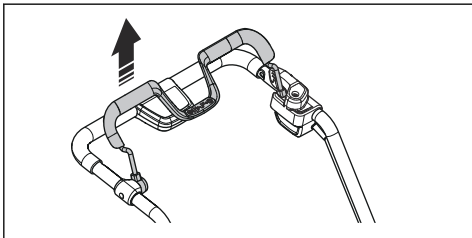
- Pokrenite i zaustavite motor da biste izvršili proveru bezbednosnog ključa.
- Ako bezbednosni ključ ispravno radi, motor se može pokrenuti samo kada je ključ u položaju 1.



## Ručica kočnice motora

Ručica kočnice motora zaustavlja motor. Kada je ručica kočnice motora otpuštena, motor se zaustavlja.

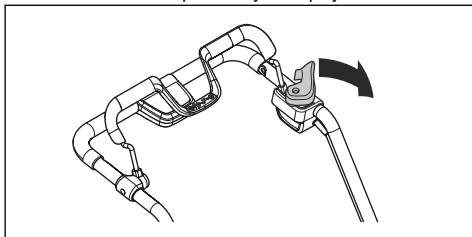
Da biste izvršili proveru kočnice motora, pokrenite motor a zatim otpustite ručicu kočnice motora. Ako se motor ne zaustavi u roku od 3 sekunde, neka ovlašćeni Husqvarna servisni agent izvrši podešavanje kočnice motora.



## Provera inhibitora pokretanja

Izvršite proveru inhibitora pokretanja kako biste se uverili da sprečava rad motora.

1. Pritisnite ručicu kočnice motora u smeru upravljača. Inhibitor pokretanja zaustavlja kretanje.
2. Pritisnite inhibitor pokretanja ka spolja.



3. Otpustite inhibitor pokretanja i uverite se da se vraća u početni položaj.

## Bezbedna upotreba akumulatora



### UPOZORENJE:

Pročitajte upozoravajuća uputstva koja slede pre korišćenja proizvoda.

- Koristite Husqvarna punjive akumulatora kao izvor napajanja samo za

odgovarajuće Husqvarna proizvode. Kako bi se sprečila povreda, nemojte koristiti akumulator kao izvor napajanja za druge uređaje.

- Nemojte koristiti akumulatora koji se ne mogu puniti.
- Opasnost od strujnog udara. Nemojte povezivati terminale akumulatora na ključeve, kovanice, vijke ili druge metalne predmete. To može dovesti do kratkog spoja akumulatora.
- Nemojte stavljati predmete u proreze za vazduh akumulatora.
- Držite akumulator tako da ne bude izložen sunčevoj svetlosti, toploti ili otvorenom plamenu. Akumulator može da eksplodira i izazove opekotine i/ili hemijske opekotine.
- Držite akumulator tako da ne bude izložen kiši i vlažnim uslovima.
- Držite akumulator dalje od mikrotalasnih pećnica i visokog pritiska.
- Nemojte pokušavati da rastavite ili lomite akumulator.
- Ako akumulator curi, ne dozvolite da vam ta tečnost dospe na kožu ili u oči. Ako ste dodirnuli tečnost, isperite

površinu velikom količinom vode i obratite se doktoru.

- Koristite akumulator na temperaturama između -10 °C i 40 °C.
- Nemojte čistiti akumulator ili punjač akumulatora vodom. Pogledajte *Čišćenje akumulatora i punjača akumulatora na stranici 550*.
- Nemojte koristiti defektan ili oštećen akumulator.
- Držite akumulatore uskladištene tako da budu udaljeni od metalnih predmeta kao što su ekseri, kovanice, nakit.

## Bezbedna upotreba punjača akumulatora



### UPOZORENJE:

Pročitajte upozoravajuća uputstva koja slede pre korišćenja proizvoda.

- Koristite QC punjače akumulatora samo za punjenje Husqvarna zamenskih akumulatora.
- Opasnost od strujnog udara ili kratkog spoja. Nemojte stavljati predmete u proreze za vazduh punjača. Nemojte pokušavati da rasklopite punjač akumulatora. Nemojte povezivati terminale punjača na metalne predmete. Koristite odobrenu mrežnu utičnicu.
- Ovaj proizvod pri radu stvara elektromagnetno polje. Ovo polje u određenim uslovima može da izazove smetnje na aktivnim i pasivnim medicinskim implantima. U cilju smanjenja rizika od uslova od nastanka teških ili smrtnih povreda, preporučujemo osobama koje imaju medicinske implante da se pre upotrebe ovog uređaja konsultuju sa lekarom ili proizvođačem implanta.
- Redovno proveravajte da kabl za napajanje punjača akumulatora nije oštećen i da na njemu ne postoje naprsline.
- Nemojte podizati punjač akumulatora za kabl za napajanje. Da biste iskopčali punjač akumulatora sa mrežne utičnice, povucite utikač. Ne vucite kabl za napajanje.
- Držite kabl za napajanje i produžni kabl dalje od vode, ulja i oštih ivica. Uverite se da kabl nije priklješten vratima, ogradom ili sličnim stvarima. Time punjač može da dođe pod napon.
- Nemojte čistiti punjač akumulatora vodom.

## Bezbednosna uputstva za održavanje

---



### UPOZORENJE:

Pročitajte upozoravajuća uputstva koja slede pre korišćenja proizvoda.

---

- Punjač akumulatora mogu koristiti deca uzrasta 8 godina i starija i osobe sa smanjenim fizičkim, senzornim ili mentalnim sposobnostima ili nedostatkom iskustva i znanja ako su pod nadzorom ili su upućeni u pogledu korišćenja punjača akumulatora na bezbedan način i razumeju povezane opasnosti. Deca ne smeju da se igraju sa punjačem akumulatora. Deca ne smeju da čiste i održavaju uređaj bez nadzora.
- Nemojte puniti akumulatore koji se ne pune u punjaču akumulatora.
- Nemojte koristiti punjač akumulatora u blizini zapaljivih materijala ili materijala koji mogu da izazovu koroziju. Nemojte pokrivati punjač akumulatora. Izvucite utikač kabla iz punjača akumulatora ako se pojave dim ili vatra.
- Nemojte koristiti defektan ili oštećen punjač akumulatora.
- Akumulator puniti samo u zatvorenom prostoru u prostoriji sa dobrom ventilacijom i podalje od sunčeve svetlosti. Nemojte puniti akumulator u vlažnim uslovima.
- Kako biste sprečili slučajno pokretanje tokom održavanja, okrenite bezbednosni ključ u položaj 0 i uklonite akumulator. Sačekajte najmanje 5 sekundi pre nego što počnete da vršite održavanje.
- Pravilno vršite rad na održavanju kako biste povećali radni vek proizvoda i smanjili rizik od nesrećnih slučajeva. Neka ovlašćeni servisni agent izvrši stručne popravke. Obratite se najbližem servisnom agentu za više informacija.
- Vršite samo one radove na održavanju proizvoda koji su navedeni u ovom korisničkom uputstvu. Svaki veći rad mora da izvrši ovlašćeni servisni agent.
- Nosite čvrste rukavice kada koristite opremu za košenje. Sečivo je veoma oštro i lako dolazi do posekotina.



- Održavajte rezne ivice ostrim i čistim kako biste dobili najbolje i najbezbednije performanse.
- Neka servisni agent redovno proverava proizvod i vrši potrebna podešavanja i popravke.
- Zamenite oštećene, pohabane ili pokvarene delove.
- Pridržavajte se uputstava za zamenu opreme. Koristite samo opremu od proizvođača.
- Kada se ne koriste, čuvajte proizvod, akumulator i punjač akumulatora odvojeno na suvom i zaključanom zatvorenom mestu. Pobrinite se da deca i neovlašćene osobe ne mogu imati pristup proizvodu, akumulatoru ili punjaču akumulatora.

## Sklapanje

### Uvod



**UPOZORENJE:** Pre sklapanja proizvoda, pročitajte poglavlje o bezbednosti.



**UPOZORENJE:** Kako biste sprečili slučajno pokretanje tokom sklapanja, okrenite bezbednosni ključ u položaj 0, uklonite akumulator i sačekajte najmanje 5 sekundi.

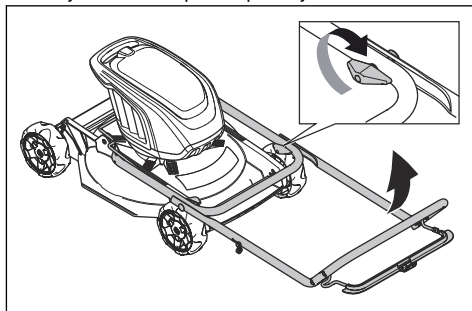
### Sklapanje ručke



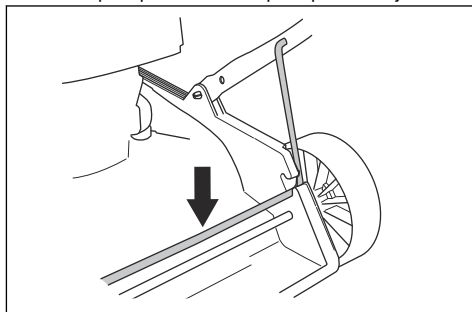
**OPREZ:** Nemojte da zavrćete kablove.

1. Poravnajte otvore u gornjoj ručici sa otvorima u donjoj ručici.

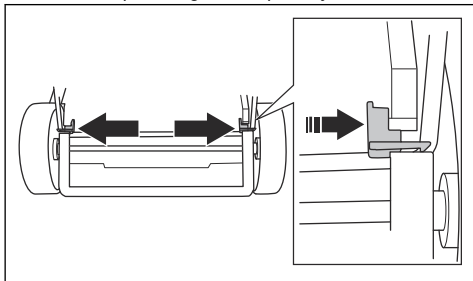
2. Potpuno zategnite dugmad na desnoj i levoj strani i savijte ručicu u uspravan položaj.



3. Stavite podupirač u žleb na poklopcu košenja.



4. Pričvrstite 2 graničnika koja zaključavaju podupirač i ručicu. Potpuno ih gurnite u položaj.



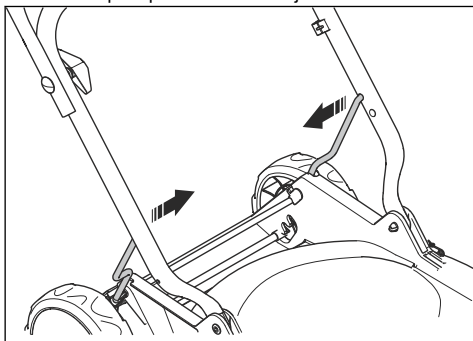
**Napomena:** Postoje 2 graničnika, jedan sa oznakom H i drugi sa oznakom V. Graničnik sa oznakom H stavite na desnu, a graničnik sa oznakom V na levu stranu.



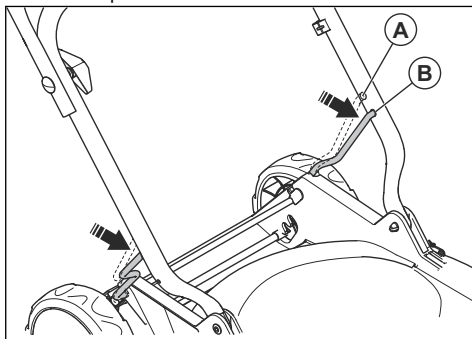
**OPREZ:** Nemojte raditi sa proizvodom ako 2 graničnika nisu pričvršćena.

## Podešavanje visine ručke

1. Uklonite podupirač ručke iz donje ručke.



- a) Postavite podupirač ručke u gornji otvor (A) kako biste smanjili visinu ručke.  
b) Postavite podupirač ručke u donji otvor (B) kako biste povećali visinu ručke.



## Rukovanje

### Uvod



**UPOZORENJE:** Pre rada sa proizvodom, morate pročitati i razumeti poglavlje o bezbednosti.

### Husqvarna Connect

Husqvarna Connect je besplatna aplikacija za mobilne uređaje. Aplikacija Husqvarna Connect pruža proširene funkcije za proizvod Husqvarna:

- Dodatne informacije o proizvodu.

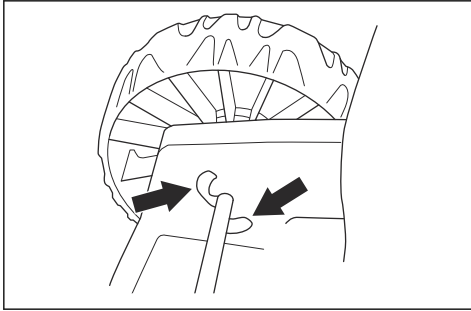
- Informacije o delovima proizvoda i servisiranju i pomoći u vezi s njima.

### Da biste počeli koristiti Husqvarna Connect

1. Preuzmite aplikaciju Husqvarna Connect na svoj mobilni uređaj.
2. Registrirajte se u aplikaciji Husqvarna Connect.
3. Pratite uputstva u aplikaciji Husqvarna Connect da biste se spojili i registrovali proizvod.

## Podešavanje visine košenja

- Izvučite osovinu i pomerite je u ispravan položaj za svaki od 4 točka.



**OPREZ:** Nemojte postavljati visinu košenja suviše nisko. Sečiva mogu da udare o tlo ako površina travnjaka nije ujednačena.

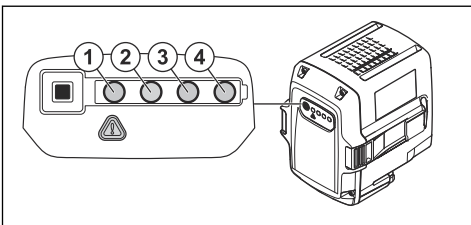
## Akumulator



**UPOZORENJE:** Pre korišćenja akumulatora, morate pročitati i razumeti poglavlje o bezbednosti. Takođe morate pročitati i razumeti korisničko uputstvo za akumulator i punjač akumulatora.

## Status akumulatora

Displej prikazuje preostali kapacitet akumulatora kao i da li postoje problemi sa akumulatorom. Kapacitet akumulatora se prikazuje 5 sekundi nakon isključivanja proizvoda ili pritiska na dugme indikatora akumulatora. Simbol upozorenja na akumulatoru se prikazuje kada je došlo do greške. Pogledajte *Akumulator na stranici 551*.



LED lampice	Status akumulatora
Sve LED lampice svetle	Potpuno napunjeno (75-100%)
LED br. 1, LED br. 2, LED br. 3 svetle	Akumulator je 50%-75% napunjen
LED br. 1, LED br. 2 svetle	Akumulator je 25%-50% napunjen

LED lampice	Status akumulatora
LED br. 1 svetli	Akumulator je 0%-25% napunjen.
LED br. 1 trepće	Akumulator je prazan. Napunite akumulator.

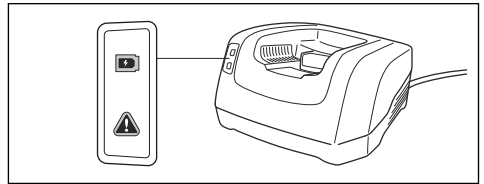
## Punjenje akumulatora

Napunite akumulator pre prvog korišćenja. Akumulator je samo 30% napunjen prilikom isporuke kupcu.

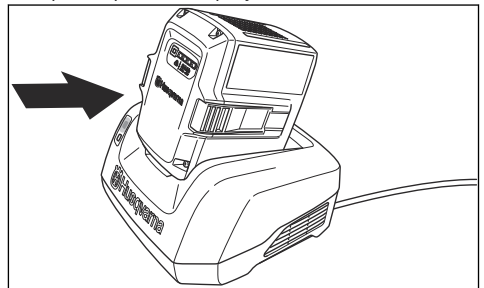
**Napomena:** Punjač akumulatora je potrebno povezati na napon i frekvenciju navedenu na nazivnoj pločici.

Akumulator se ne puni ako je temperatura akumulatora iznad 50 °C. Punjač akumulatora smanjuje temperaturu akumulatora pre početka punjenja.

- Povežite jedan kraj kabla za napajanje za punjač akumulatora u utičnicu punjača akumulatora.
- Povežite drugi kraj kabla za napajanje za punjač akumulatora u uzemljenu mrežnu utičnicu. LED lampica na punjaču akumulatora trepće zeleno jedanput.



- Stavite akumulator u punjač akumulatora. Zelena lampica na punjaču svetli kada je akumulator ispravno povezan na punjač akumulatora.



- Akumulator je potpuno napunjen kada na njemu svetle sve LED lampice. Punite akumulator najviše 24 sata.
- Da biste iskopčali punjač akumulatora iz mrežne utičnice, povucite utikač, a ne kabl za napajanje.
- Izvadite akumulator iz punjača akumulatora.

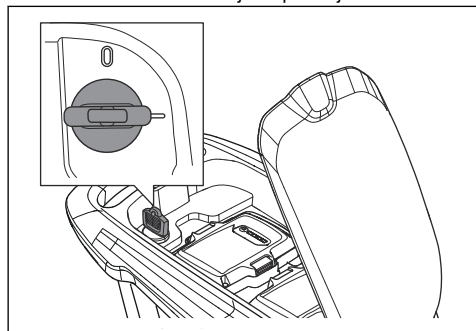
## Status punjenja akumulatora

Husqvarna litijum-jonski akumulator se može puniti ili koristiti na svim nivoima punjenja. Akumulator nije oštećen. Potpuno napunjen akumulator neće smanjiti punjenje kada je akumulator ostavljen na punjaču.

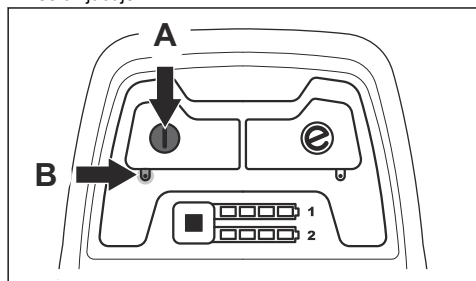
LED displej	Status punjenja
LED br. 1 trepće	0%-25%
LED br. 1 svetli, LED br. 2 trepće	25%-50%
LED br. 1, LED br. 2 svetle, LED br. 3 trepće	50%-75%
LED br. 1, LED br. 2, LED br. 3 svetle, LED br. 4 trepće	75%-100%
LED br. 1, LED br. 2, LED br. 3, LED br. 4 svetle	Potpuno napunjeno

## Pokretanje proizvoda

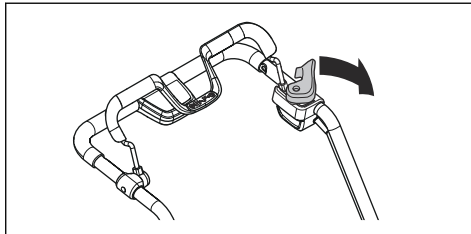
1. Napunjen akumulator stavite u odeljak za akumulator broj 1 ispod poklopca akumulatora. Za duže vreme rada, stavite drugi napunjen akumulator u odeljak za akumulator broj 2.
2. Okrenite bezbednosni ključ u položaj 1.



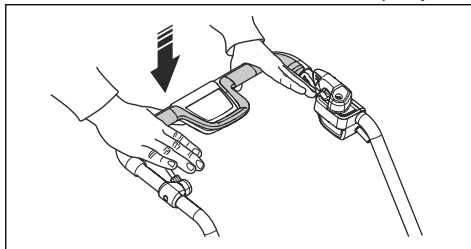
3. Stanite iza proizvoda.
4. Pritisnite dugme za uključivanje/isključivanje (ON/OFF) (A) na kontrolnoj tabli i zelena LED lampica (B) se uključuje.



5. Olabavite inhibitor pokretanja.



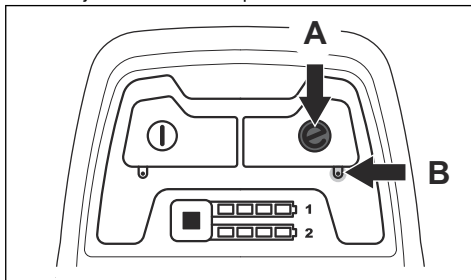
6. Pritisnite ručicu kočnice motora u smeru upravljača.



## Korišćenje funkcije SavE

Proizvod ima funkciju uštede akumulatora (SavE) koja pruža duže vreme rada.

1. Pritisnite dugme SavE (A) da biste pokrenuli funkciju. Zelena LED lampica svetli.



2. Ponovo pritisnite dugme SavE da biste zaustavili funkciju. Zelena LED lampica (B) se isključuje.

Funkcija SavE se automatski zaustavlja ako uslovi tla zahtevaju veću izlaznu snagu. Funkcija SavE se automatski pokreće kada uslovi tla to dozvoljavaju.

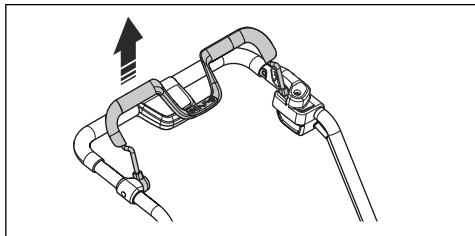
## Funkcija velikog opterećenja

Kada se proizvodom kosi visoka ili vlažna trava, motor automatski povećava broj obrtaja. Motor se vraća u standardni režim kada veliko opterećenje nije potrebno.

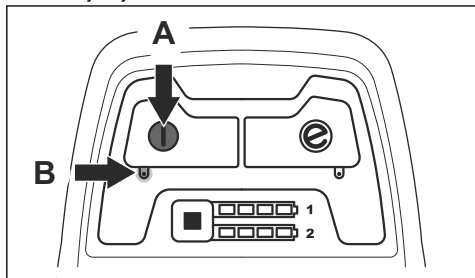
## Zaustavljanje proizvoda

Proizvod se automatski zaustavlja ako ne radite sa njim tokom 10 minuta. Uvek okrenite bezbednosni ključ u položaj 0 pre nego što ostavite proizvod bez nadzora.

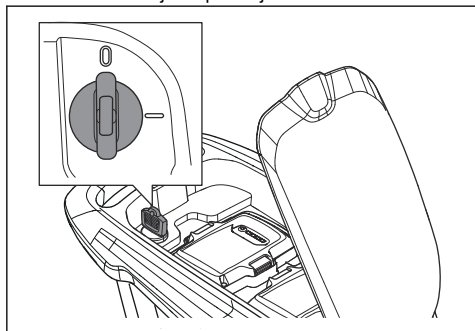
1. Otpustite ručicu kočnice motora da biste zaustavili motor.



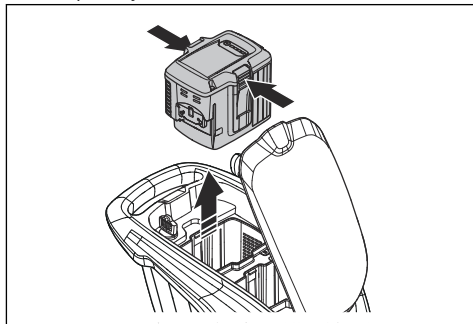
2. Pritisnite dugme za uključivanje/isključivanje (ON/OFF) (A) na kontrolnoj tabli i zelena LED lampica (B) se isključuje.



3. Otvorite poklopac akumulatora i okrenite bezbednosni ključ u položaj 0.



4. Da biste uklonili akumulator, pritisnite dva dugmeta za otpuštanje i izvucite akumulator.



5. Napunite akumulator ako je prazan. Za više informacija, pogledajte *Punjenje akumulatora na stranici 547*.

## Za dobre rezultate

- Uvek koristite oštro sečivo. Tupo sečivo daje neujednačeni rezultat i pokošena površina trave postaje žuta. Oštro sečivo takođe koristi manje energije nego tupo sečivo.
- Nemojte kositi više od 1/3 dužine trave. Prvo kosite sa visokom visinom košenja. Pregledajte rezultat i spustite visinu košenja na prihvatljivi nivo. Ako je trava zaista visoka, vozite polako i kosite dvaput ako bude potrebno.
- Kosite u različitim smerovima svaki put da biste izbegli pruge na travnjaku.
- Poklopac košenja mora da bude čist. Naslage trave i prljavštine s unutarne strane poklopca košenja mogu da umanje rezultate košenja. Pogledajte *Čišćenje proizvoda na stranici 550*

## Održavanje

### Uvod



**UPOZORENJE:** Pre održavanja, morate pročitati i razumeti poglavlje o bezbednosti.

Za sva servisiranja i popravke proizvoda, potrebna je specijalna obuka. Garantujemo dostupnost stručnih popravki i servisiranja. Ako vaš prodavac nije servisni

agent, obratite mu se za informacije o najbližem servisnom agentu.

### Šema održavanja

Intervali održavanja su izračunati na osnovu svakodnevnog korišćenja proizvoda. Intervali se menjaju ako se proizvod ne koristi svakodnevno.

Za održavanja obeležena znakom \*, pogledajte uputstva u *Bezbednosni uređaji na proizvodu na stranici 541*.

	Svaka upotreba	Mesečno	Svaka sezona
Izvršite generalni pregled	X		
Očistite proizvod	X		
Proverite inhibitor pokretanja *	X		
Uverite se da bezbednosni uređaji na proizvodu nisu neispravni *	X		
Pregledajte opremu za košenje	X		
Pregledajte poklopac alata za košenje *	X		
Proverite ručicu kočnice motora *	X		
Uverite se da dugme za uključivanje/isključivanje (ON/OFF) ispravno radi i da nije defektno	X		
Pregledajte akumulator u pogledu oštećenja	X		
Proverite punjenje akumulatora	X		
Uverite se da dugmad za otpuštanje na akumulatoru ispravno radi i da akumulator pravilno stoji u proizvodu	X		
Pregledajte punjač akumulatora u pogledu oštećenja i uverite se da ispravno radi.		X	
Pregledajte konektore između akumulatora i proizvoda. Takođe pregledajte konektore između akumulatora i punjača akumulatora.			X

## Vršenje opšteg pregleda

- Uverite se da su navrtke i zavrtnji na proizvodu zategnuti.
- Uverite se da kablovi na proizvodu nisu u položaju u kojem se mogu oštetiti.

## Čišćenje proizvoda

- Očistite plastične delove čistom i suvom krpom.
- Nemojte čistiti proizvod vodom. Voda može da prođe u akumulator ili motor i izazove kratak spoj ili oštećenje proizvoda.
- Nemojte da koristite čistač pod visokim pritiskom za čišćenje proizvoda.
- Nemojte direktno ispirati motor vodom.
- Uklonite lišće, travu i prljavštinu pomoću četke.

## Čišćenje akumulatora i punjača akumulatora



**UPOZORENJE:** Nemojte čistiti akumulator ili punjač akumulatora vodom.

- Uverite se da su akumulator i punjač akumulatora čisti i suvi pre stavljanja akumulatora na punjač akumulatora.

- Očistite terminale akumulatora komprimovanim vazduhom ili pomoću meke i suve krpe.
- Očistite površine akumulatora i punjača akumulatora pomoću meke i suve krpe.

## Pregled opreme za rezanje



**UPOZORENJE:** Kako biste sprečili slučajno pokretanje, okrenite bezbednosni ključ u položaj 0, uklonite akumulator i sačekajte najmanje 5 sekundi.



**UPOZORENJE:** Nosite zaštitne rukavice kada vršite održavanje na opremi za košenje. Sečivo je veoma oštro i lako dolazi do posekotine.

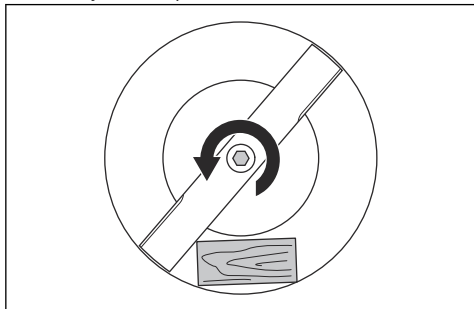
1. Pregledajte opremu za košenje u pogledu oštećenja ili naprslina. Uvek zamenite oštećenu opremu za košenje.
2. Pregledajte sečivo da biste videli je li oštećeno ili tupo.

**Napomena:** Nakon oštrenja sečiva potrebno ga je balansirati. Neka servisni centar naoštiri, zameni i balansira sečivo. Ako udarite o prepreku nakon čega se proizvod zaustavi, zamenite oštećeno sečivo. Neka

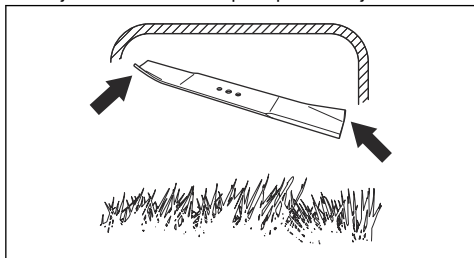
servisni centar odredi da li sečivo može da se naoštiri ili mora da se zameni.

## Zamena noža

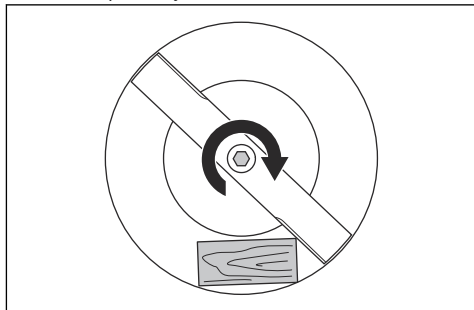
1. Blokirate sečivo pomoću komada drveta.



2. Uklonite vijak sečiva.
3. Uklonite sečivo.
4. Pregledajte nosač sečiva i vijak sečiva kako biste videli postoje li oštećenja.
5. Pregledajte osovinu motora kako biste se uverili da nije savijena.
6. Kada postavite novo sečivo, usmerite savijene krajeve sečiva u smeru poklopca košenja.



7. Pobrinite se da je sečivo poravnato sa sredinom osovine motora.
8. Blokirate sečivo pomoću komada drveta. Postavite opružnu podlošku i zategnite vijak i podlošku na moment pritezanja od 23–28 Nm.



9. Povucite sečivo rukom da biste proverili da li se slobodno okreće.



**UPOZORENJE:** Nosite čvrste rukavice. Sečivo je veoma oštro i lako dolazi do posekotina.

10. Pokrenite proizvod kako biste testirali sečivo. Ako sečivo nije ispravno postavljeno, pojavice se vibriranje proizvoda ili rezultat košenja neće biti zadovoljavajući.

## Rešavanje problema

### Akumulator

LED lampice na akumulatoru	Uzrok	Rešenje
Zelena LED lampica trepće.	Napon akumulatora je nizak.	Napunite akumulator. Pogledajte <i>Punjenje akumulatora na stranici 547</i> .

LED lampice na akumulatoru	Uzrok	Rešenje
LED lampica greške trepće.	Akumulator je slab.	Napunite akumulator. Pogledajte <i>Punjenje akumulatora na stranici 547</i> .
	Temperatura u radnom okruženju je previsoka ili preniska.	Koristite akumulator na temperaturama između -10 °C i 40 °C.
	Prenapon.	Napon mreže mora da odgovara onom koji je naveden na nazivnoj pločici proizvođača. Izvadite akumulator iz punjača akumulatora. Sačekajte 5 sekundi i ponovo pokušajte punjenje akumulatora. Ako se problem ne otkloni, obratite se ovlašćenom servisu.
LED lampica greške je uključena.	Razlika između ćelija je prevelika (1 V).	Obratite se ovlašćenom servisnom agentu.

## Punjač akumulatora

LED lampice na punjaču akumulatora	Uzrok	Rešenje
LED lampica greške trepće.	Temperatura u radnom okruženju je previsoka ili preniska.	Koristite punjač akumulatora na temperaturama između 5 °C i 40 °C.
LED lampica greške je uključena.		Obratite se ovlašćenom servisnom agentu.

## Kontrolna tabla

Za probleme koji se ne nalaze u ovom odeljku, obratite se servisnom agentu.

Tastatura	Kód greške (broj treptaja)	Moguće greške	Moguća radnja
LED lampica greške trepće	3	Motor je preopterećen	Povećajte visinu košenja. Pogledajte <i>Podešavanje visine košenja na stranici 547</i> .
	5	Brzina motora prekomerno opada i motor se zaustavlja	
	10	Kontrola motora je prevruća	Zaustavite motor i sačekajte da se ohladi
	2	Sečivo je blokirano	Kako biste sprečili slučajno pokretanje, okrenite bezbednosni ključ u položaj 0, uklonite akumulator i sačekajte najmanje 5 sekundi. Uverite se da se sečivo može slobodno okretati. Ako problem nastavi da se pojavljuje, obratite se ovlašćenom servisnom agentu
	9	Greška akumulatora ili nema signala sa akumulatora	Pravilno postavite akumulator u proizvod i pregledajte konektor akumulatora. Ako LED lampica greške na akumulatoru trepće, pogledajte <i>Akumulator na stranici 547</i> .



Tastatura	Kód greške (broj treptaja)	Moguće greške	Moguća radnja
Proizvod se zaustavlja	8	Akumulator je slab	Napunite akumulator. Pogledajte <i>Punjenje akumulatora na stranici 547</i> .
	0	Kvar konektora akumulatora	Pregledajte konektor akumulatora

## Transport, skladištenje i odlaganje

### Uvod



**UPOZORENJE:** Kako biste sprečili nenamerno pokretanje tokom prenosa, okrenite bezbednosni ključ u položaj „0“, uklonite akumulator i sačekajte najmanje 5 sekundi.

### Transport

- Zahtevi u pogledu transporta opasnih materija primenjuju se na sadržane litijum-jonske akumulatore.
- Za komercijalni transport moraju se poštovati posebni zahtevi koji su navedeni na pakovanju i nalepticama.
- Pobrinite se da se pridržavate propisa za transport opasnih materija prilikom pripreme proizvoda za transport. Lokalni propisi se mogu primenjivati.
- Uvek uklonite akumulator pre transporta.
- Stavite traku na konektore akumulatora i uverite se da se akumulator ne može pomerati tokom transporta.
- Fiksirajte proizvod tokom transporta.

### Skladištenje

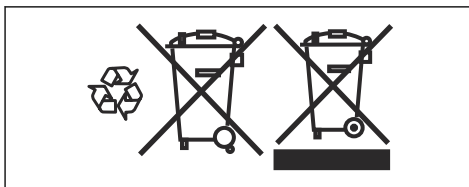
- Uvek uklonite akumulator pre skladištenja.
- Kako bi se sprečili nesrećni slučajevi, uverite se da akumulator nije povezan na proizvod tokom skladištenja.
- Držite punjač akumulatora u zatvorenom i suvom prostoru.
- Držite akumulator i punjač akumulatora u suvom prostoru gde nema vlage ili mraza.
- Iskopčajte akumulator sa punjača akumulatora tokom skladištenja.
- Ne čuvajte akumulator na mestima gde može doći do statičkog pražnjenja. Ne čuvajte akumulator u metalnoj kutiji.

- Čuvajte akumulator na mestu gde je temperatura između 5 °C i 25 °C i van direktne sunčeve svetlosti.
- Čuvajte punjač akumulatora na mestu gde je temperatura između 5 °C i 45 °C i van direktne sunčeve svetlosti.
- Pobrinite se da je akumulator napunjen na 30% - 50% pre skladištenja na duži vremenski period.
- Čuvajte proizvod, akumulator i punjač akumulatora na zaključanom mestu izvan domašaja dece i neovlašćenih osoba.
- Očistite proizvod i izvršite kompletno servisiranje pre nego što uskladištite proizvod na duži vremenski period.

### Odlaganje

Simboli na proizvodu ili njegovom pakovanju ukazuju na to da se ovim proizvodom ne može rukovati kao otpadom iz domaćinstva. On se mora odneti u odgovarajući reciklažni pogon za obnavljanje električne i elektronske opreme.

Starajući se da se na odgovarajući način pobrinite za ovaj proizvod, možete da pomognete da se ublaži mogući negativni uticaj na životnu sredinu i ljude, do kojeg bi u suprotnom došlo u slučaju nepravilnog odlaganja ovog proizvoda na otpad. Za detaljnije informacije o recikliranju ovog proizvoda, obratite se vašoj opštini, „Gradskoj čistoći“ ili osoblju u prodavnici u kojoj ste proizvod kupili.



## Tehnički podaci

<b>LB 146i</b>	
<b>Motor košenja</b>	
Tip motora	BLDC (bez četkica) 36 V
Brzina motora – SavE, o/min	2600
Brzina motora – nominalna, o/min	3000
Brzina motora – veliko opterećenje, o/min	3500
Izlazna snaga motora – maks. kW	1,05
Izlazna snaga motora – nominalna, kW	0,9
Ograničenje prekomerne struje (trenutno ograničenje: 900W-27A)	27 (+/-) 1A
<b>Težina</b>	
Težina bez akumulatora, kg	16,9
<b>Akumulator <sup>97</sup></b>	
Vrsta akumulatora	Husqvarna serija akumulatora
<b>Vreme rada akumulatora</b>	
Vreme rada akumulatora, min, (slobodan rad) sa aktiviranom funkcijom SavE, sa jednim Husqvarna 5,2 Ah akumulatorom (BLi200).	77
Vreme rada akumulatora, min, (slobodan rad) sa aktiviranim standardnim režimom, sa jednim Husqvarna 5,2 Ah akumulatorom (BLi200).	45
<b>Emisija buke <sup>98</sup></b>	
Nivo zvučne snage, mereno dB (A)	90
Nivo zvučne snage, garantovano L <sub>WA</sub> dB (A)	91
<b>Nivoi zvuka <sup>99</sup></b>	
Nivo zvučnog pritiska na uho rukovaoca, dB (A)	79
<b>Nivoi vibracije <sup>100</sup></b>	
Ručka, m/s <sup>2</sup>	0,9
<b>Oprema za rezanje</b>	
Visina košenja, mm	35-70 mm
Širina košenja, cm	46
Nož	BioClip

<sup>97</sup> Za najbolje rezultate i performanse, preporučuje se Husqvarna akumulator BLi200.

<sup>98</sup> Emisije buke u životnoj sredini merene kao zvučna snaga (L<sub>WA</sub>) u skladu sa direktivom 2000/14/EZ.

<sup>99</sup> Prijavljeni podaci za nivo zvučnog pritiska imaju tipičnu statističku disperziju (standardna devijacija) od 1,2 dB (A).

<sup>100</sup> Podaci o nivou vibracije imaju tipičnu statističku disperziju (standardnu devijaciju) od 0,2 m/s<sup>2</sup>. Standard za vibracije EN 60335-2-77:2017 odeljak 20.105

	<b>LB 146i</b>
Broj artikla	5947022-10

<b>Odobreni akumulatori</b>	<b>Tip</b>	<b>Kapacitet akumulatora, Ah</b>	<b>Napon, V</b>	<b>Težina, lb/kg</b>
BLi20	Litijum-jonski	4,0	36	2,6/1,2
BLi200	Litijum-jonski	5,2	36	2,8/1,3
BLi300	Litijum-jonski	9,4	36	4,2/1,9

<b>Odobreni punjači za navedene akumulatore, BLi</b>	<b>Ulazni napon, V</b>	<b>Frekvencija, Hz</b>	<b>Snaga, W</b>
QC80	100–240	50–60	100
QC80F	10-15	Nije dostupno	95
QC330	100–240	50–60	330
QC500	100–240	50–60	500
40-C80	100–240	50–60	68,8

---

# EZ deklaracija o usaglašenosti

---

## EZ deklaracija o usaglašenosti

**Husqvarna AB**, SE-561 82 Huskvarna, Švedska, tel:  
+46-36-146500, izjavljuje da je **kosačica Husqvarna**  
**LB 146i** od godine 2021 i nadalje, usaglašena sa  
zahtevima DIREKTIVE VEĆA:

- od 8. juna 2011, o „ograničenju upotrebe određenih opasnih supstanci“ **2011/65/EU**
- od 17. maja 2006., „u vezi sa mašinerijom“ **2006/42/EZ**
- od 26. februara 2014, „koja se odnosi na elektromagnetnu kompatibilnost“ **2014/30/EU**
- od 8. maja 2000, „koja se odnosi na emisije buke u okruženju“ **2000/14/EZ**

Za informacije o emisiji buke, pogledajte odeljak Tehnički podaci.

Primenjeni su sledeći standardi:

**EN 60335-1:2012+A11:2014+A13:2017, EN 60335-2-77:2010, EN 62233:2008, EN 55014-1:2017+A11:2020, EN 55014-2:2015, EN IEC 63000:2018**

Ako nije drugačije naznačeno, navedeni standardi predstavljaju najnovije objavljene verzije.

Ovlašćeno telo: **0404, RISE SMP Svensk Maskinprovning AB, Box 7035, SE-750 07 Uppsala** je obavilo ocenjivanje usaglašenosti u skladu sa Aneksom VI direktive 2000/14/EC.

Huskvarna, 2021-10-30



Claes Losdal, menadžer razvoja/baštenski proizvodi  
(ovlašćeni predstavnik kompanije Husqvarna AB i  
odgovorna osoba za tehničku dokumentaciju)

## Innehåll

Introduktion.....	557	Felsökning.....	573
Säkerhet.....	559	Transport, förvaring och kassering.....	574
Montering.....	567	Tekniska data.....	575
Drift.....	568	EG-försäkran om överensstämmelse.....	577
Underhåll.....	571		

## Introduktion

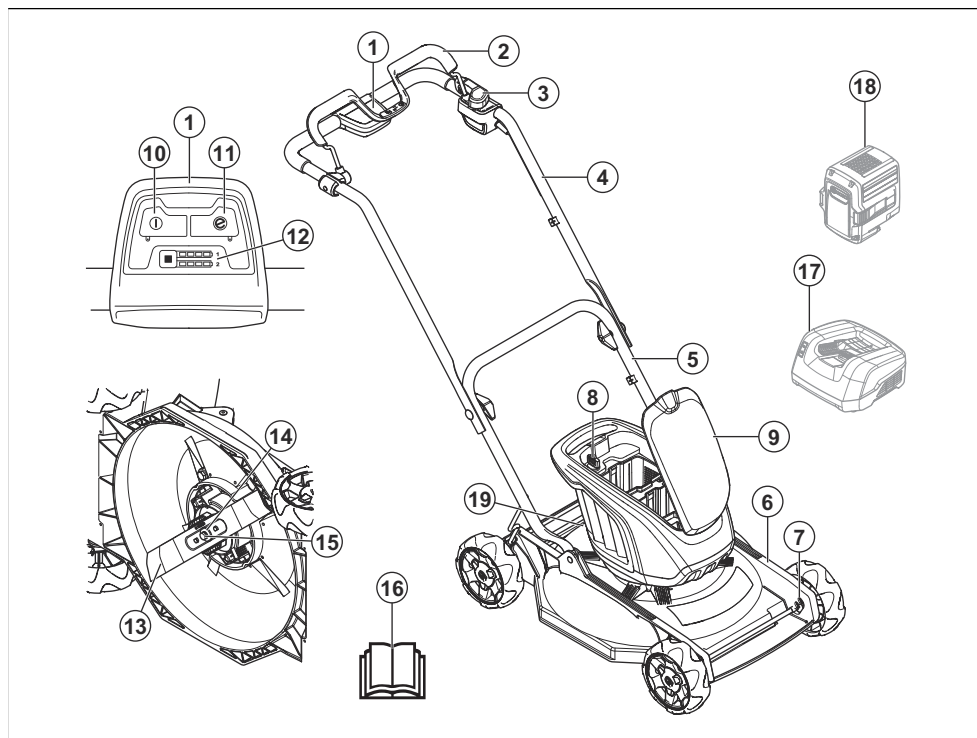
### Produktbeskrivning

Produkten är en rotorgräsklippare som styrs av en gående person och som använder BioClip för att finfördela gräset till gödning.

### Avsedd användning

Använd produkten för att klippa gräs. Använd inte produkten till andra uppgifter.

### Produktöversikt



- |                      |  |
|----------------------|--|
| 1. Reglagepanel      | 8. Säkerhetsnyckel                             |
| 2. Motorbromsbygel   | 9. Batterilucka                                |
| 3. Startspärr        | 10. Knappen PÅ/AV                              |
| 4. Övre handtag      | 11. Knappen SavE                               |
| 5. Undre handtag     | 12. Batteriladdningsindikator och batteriknapp |
| 6. Klippkåpa         | 13. Kniv                                       |
| 7. Klipphöjdsreglage | 14. Fjäderbricka                               |

- 15. Knivbult
- 16. Bruksanvisning
- 17. Batteriladdare (tillbehör)
- 18. Batteri (tillbehör)
- 19. Typskylt med QR-kod

## Symboler på produkten



Varning: Slarvigt eller felaktigt användande kan resultera i skador eller dödsfall för operatören eller andra.



Läs igenom bruksanvisningen noggrant och se till att du förstår instruktionerna innan användning.



Håll alltid människor och djur på säkert avstånd från arbetsområdet.



Akta dig för utslungade föremål och rikoschetter.



Varning: Håll händer och fötter borta från den roterande kniven.



Varning: Håll händer och fötter borta från roterande delar.



Ta ur tändningsnyckeln före reparationer eller underhåll.



Utsätt inte för regn.



Produkten eller dess förpackning är inte hushållsavfall. Återvinn den vid en återvinningsstation för elektrisk och elektronisk utrustning.



Produkten överensstämmer med gällande EG-direktiv.



Produkten överensstämmer med gällande direktiv från Eurasiska tullunionen.



Produkten överensstämmer med gällande UkrSEPRO-direktiv.



Produkten överensstämmer med gällande RCM-direktiv. Gäller endast för AU/NZ



Bulleremissioner till omgivningen enligt Europeiska Gemenskapens direktiv. Produktens emission anges i avsnittet Tekniska data och på etiketten.

**IPX1** IPX1 - Droppskyddat




**Startprocedur:**  
Tryck på knappen PÅ/AV, lyft på startspärren och tryck ned motorbromsbygeln.

FARA – Håll händer och fötter borta.

## Produktansvar

Enligt lagstiftningen för produktansvar ansvarar vi inte för skador som vår produkt orsakar om:

- produkten repareras felaktigt
- produkten repareras med delar som inte kommer från tillverkaren eller inte har godkänts av tillverkaren
- produkten har ett tillbehör som inte kommer från tillverkaren eller inte har godkänts av tillverkaren
- produkten inte repareras vid ett godkänt servicecenter eller av en godkänd person.

 Stoppa genom att släppa motorbromsbygeln.

**Notera:** Övriga symboler/dekaler på produkten avser specifika krav för certifieringar på vissa marknader.

## Märkning på produkten



## Säkerhet

### Säkerhetsdefinitioner

Varningar, försiktighetsåtgärder och anmärkningar används för att betona speciellt viktiga delar i bruksanvisningen.



**WARNING:** Används om det finns risk för skador eller dödsfall för föraren eller kringstående om anvisningarna i

bruksanvisningen inte följs.



**OBSERVERA:** Används om det finns risk för skada på produkten, annat material eller det angränsande området om anvisningarna i

bruksanvisningen inte följs.

---

**Notera:** Används för att ge mer information som är nödvändig i en viss situation.

---

## Allmänna säkerhetsanvisningar

---



**WARNING:** Läs varningsinstruktionerna nedan innan du använder produkten.

---

- Denna produkt är farlig om den används på fel sätt, och om du inte är försiktig. Skada eller dödsfall kan inträffa om du inte följer säkerhetsinstruktionerna.
- Denna produkt alstrar ett elektromagnetiskt fält under drift. Detta fält kan under vissa omständigheter ge påverkan på aktiva eller passiva medicinska implantat. För att reducera risken för omständigheter som kan leda till allvarliga eller livshotande skador rekommenderar vi därför personer med implantat att rådgöra med läkare samt tillverkaren av det medicinska implantatet innan denna produkt används.
- Var alltid försiktig och använd sunt förnuft. Om du inte vet hur du ska använda produkten i en särskild situation ska du stanna den och tala med en Husqvarna-återförsäljare innan du fortsätter.
- Tänk på att användaren kommer att hållas ansvarig för olyckor som involverar andra människor eller deras egendom.
- Håll produkten ren. Se till att du kan läsa skyltar och dekaler tydligt.
- Låt aldrig barn eller personer som inte känner till de här instruktionerna använda produkten. Det kan finnas en åldersgräns för användning enligt lokala föreskrifter.
- Övervaka alltid en person med nedsatt fysisk eller mental kapacitet som använder produkten. En vuxen person måste vara närvarande hela tiden.
- Använd aldrig produkten om du är trött, sjuk eller om du är påverkad av alkohol, droger eller läkemedel. Detta har en negativ inverkan på din syn, ditt omdöme och din kroppskontroll.
- Använd inte produkten om den är trasig.



- Modifiera aldrig den här produkten och använd den inte om det är möjligt att den har blivit modifierad av andra.

## Säkerhet i arbetsområdet

---



**WARNING:** Läs varningsinstruktionerna nedan innan du använder produkten.

---

- Ta bort föremål som grenar, kvistar och stenar från arbetsområdet innan du använder produkten.
- Objekt som slår mot skärutrustningen kan slungas ut och orsaka skador på personer och föremål. Håll alltid människor och djur på säkert avstånd från produkten.
- Använd aldrig produkten i dåligt väder, som dimma, regn, hård vind, extrem kyla och risk för blixtnedslag. Det är ansträngande att använda produkten i dåligt väder eller på fuktiga eller våta platser. Dåligt väder kan leda till farliga förhållanden, t.ex. hala ytor.
- Håll utkik efter personer, föremål och situationer som kan förhindra säker användning av produkten.
- Håll utkik efter hinder, som rötter, stenar, grenar, gröpar och diken. Långt gräs kan dölja hinder.
- Det kan vara farligt att klippa gräs i sluttningar. Klipp inte alltför branta sluttningar. Använd inte produkten i terräng som lutar mer än 15°.
- Var mycket försiktig när du ändrar riktning i sluttningar. Klipp tvärs över sluttningar. Inte upp och ned.
- Var uppmärksam när du närmar dig dolda hörn och föremål som skymmer sikten.

## Arbetssäkerhet

---



**WARNING:** Läs varningsinstruktionerna nedan innan du använder produkten.

---

- Använd enbart den här produkten för att klippa gräsmattor. Det är inte tillåtet att använda den för andra uppgifter.
- Använd personlig skyddsutrustning. Se *Personlig skyddsutrustning på sida 563*.
- Se till att du vet hur man snabbt stoppar motorn i en nödsituation.
- Använd inte produkten i regn eller vid blöta förhållanden. Risken för elektriska stötar

ökar om vatten kommer in i produkten.

- Använd inte produkten utan att kniven och alla kåpor är korrekt monterade. En felaktigt monterad kniv kan lossna och orsaka personskador.
- Se till att kniven inte slår emot föremål som stenar och rötter. Detta kan göra att kniven skadas och böja motoraxeln. En böjd axel orsakar kraftiga vibrationer och risken för att kniven lossnar blir mycket hög.
- Om kniven träffar ett föremål eller om det uppstår vibrationer ska du omedelbart stanna produkten. Stäng av motorn, vrid säkerhetsnyckeln till 0 och ta ur batteriet. Kontrollera om det finns några skador på produkten. Reparera skadorna eller låt en behörig serviceverkstad utföra reparationen.
- Fäst aldrig motorbromsbygeln permanent på handtaget när motorn är igång.
- Ställ produkten på ett stabilt plant underlag och starta den. Se till att kniven inte vidrör marken eller andra föremål.
- Håll dig alltid bakom produkten när du använder den.
- Låt alla hjul stå på marken och håll båda händerna på

handtaget när du använder produkten. Håll händer och fötter borta från de roterande knivarna.

- Luta inte produkten när motorn är igång.
- Var försiktig när du drar produkten bakåt.
- Lyft aldrig upp produkten när motorn är igång. Om du måste lyfta upp produkten stänger du av motorn, vrid säkerhetsnyckeln till 0 och tar loss batteriet.
- Gå inte baklänges när du använder produkten.
- Stäng av motorn när du rör dig över områden utan gräs, t.ex. gångar av grus, sten och asfalt.
- Spring inte med produkten när motorn är igång. Gå alltid när du använder produkten.
- Stäng av motorn innan du ändrar klipphöjden. Gör aldrig justeringar med motorn igång.
- Lämna aldrig produkten utanför ditt synfält med motorn igång. Stäng av motorn och se till att skärutrustningen inte roterar.

## Säkerhetsinstruktioner för drift

### Personlig skyddsutrustning



**VARNING:** Läs varningsinstruktionerna nedan innan du använder produkten.

- Personlig skyddsutrustning kan inte eliminera skaderisken helt, men den reducerar effekten av en skada vid ett eventuellt olyckstillbud. Be din återförsäljare om hjälp med att välja rätt utrustning.
- Använd kraftiga hals säkra kängor eller skor. Använd inte öppna skor och var inte barfota.
- Använd tjockare långbyxor.
- Använd skyddshandskar vid behov, till exempel när du ansluter, undersöker eller rengör skärutrustningen.

### Säkerhetsanordningar på produkten



**VARNING:** Läs varningsinstruktionerna nedan innan du använder produkten.

- Använd inte en produkt med defekta säkerhetsanordningar.
- Kontrollera säkerhetsanordningarna regelbundet. Om säkerhetsanordningarna är defekta ska du prata med din Husqvarna serviceverkstad.

### Kontrollera klippkåpan

Klippkåpan dämpar vibrationerna och minskar risken för skador orsakade av kniven.

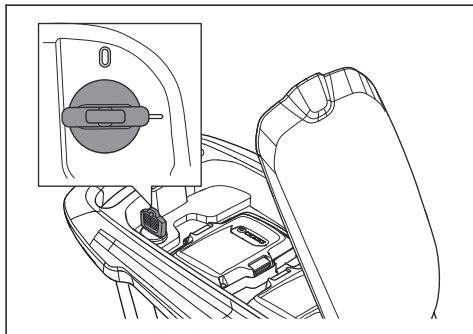
- Undersök klippkåpan för att se till att där inte finns några skador, t.ex. sprickor.

### Säkerhetsnyckel

Säkerhetsnyckeln finns under batteriluckan.

Säkerhetsnyckeln kopplar in batteriet som matar motorn med ström.

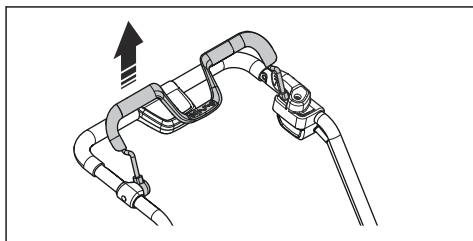
- Starta och stäng av motorn för att kontrollera säkerhetsnyckeln.
- Om säkerhetsnyckeln fungerar korrekt startar motorn endast när nyckeln är i position 1.



### Motorbromsbygel

Motorbromsbygeln stänger av motorn. När motorbromsbygeln släpps stannar motorn.

För att inspektera motorbromsen ska du starta motorn och sedan släppa motorbromsbygeln. Om motorn inte stannar inom tre sekunder ska du låta en godkänd Husqvarna-serviceverkstad justera motorbromsen.

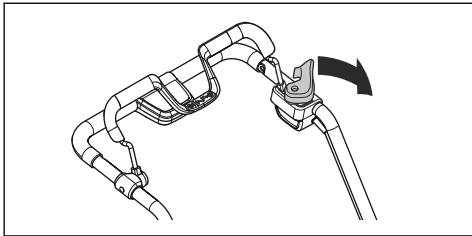


### Undersöka startspärren

Gör en kontroll av startspärren för att se till att den hindrar drift av motorn.

1. Tryck motorbromsbygeln i handtagets riktning. Startspärren stoppar rörelsen.

2. Tryck ut startspärren.



3. Lossa startspärren och se till att den går tillbaka till ursprungsläget.

## Batterisäkerhet



**VARNING:** Läs varningsinstruktionerna nedan innan du använder produkten.

- Använd endast laddningsbara batterier från Husqvarna som strömkälla för relaterade Husqvarna-produkter. På grund av risken för skador ska du inte använda batteriet som strömkälla för andra enheter.
- Använd inte batterier som inte är laddningsbara.
- Risk för elektrisk stöt. Anslut inte batteripolerna till nycklar, mynt, skruvar eller andra metallföremål. Det kan orsaka kortslutning i batteriet.
- Placera inte föremål i luftspringorna på batteriet.
- Håll batteriet borta från direkt solljus, värme och öppen eld. Batteriet kan explodera och orsaka brännskador och/eller kemiska brännskador.

- Håll batteriet borta från regn och fuktiga förhållanden.
- Håll batteriet borta från mikrovågor och högt tryck.
- Försök inte ta isär eller krossa batteriet.
- Om batteriet läcker ska du inte låta vätskan komma i kontakt med huden eller ögonen. Om du har rört vid vätskan ska du rengöra området med stora mängder vatten och kontakta läkare.
- Använd batteriet vid temperaturer mellan  $-10\text{ }^{\circ}\text{C}$  och  $40\text{ }^{\circ}\text{C}$ .
- Rengör inte batteriet eller batteriladdaren med vatten. Se *Rengöra batteriet och batteriladdaren på sida 572*.
- Använd inte ett defekt eller skadat batteri.
- Håll batterier som förvaras borta från metallföremål, exempelvis spikar, mynt och smycken.

## Säkerhet, batteriladdare



**VARNING:** Läs varningsinstruktionerna nedan innan du använder produkten.

- Använd endast QC-batteriladdare för att ladda

utbytesbatterier från Husqvarna.

- Risk för elektrisk stöt eller kortslutning. Placera inte föremål i luftspringorna på laddaren. Försök inte plocka isär batteriladdaren. Anslut inte laddarens kontakter till metallföremål. Använd ett godkänt eluttag.
- Denna produkt alstrar ett elektromagnetiskt fält under drift. Detta fält kan under vissa omständigheter ge påverkan på aktiva eller passiva medicinska implantat. För att reducera risken för omständigheter som kan leda till allvarliga eller livshotande skador rekommenderar vi därför personer med implantat att rådgöra med läkare samt tillverkaren av det medicinska implantatet innan denna maskin används.
- Kontrollera regelbundet att nätsladden till batteriladdaren är oskadad och att inga sprickor finns.
- Lyft inte batteriladdaren i nätsladden. Koppla bort batteriladdaren från eluttaget genom att dra i kontakten. Dra inte i nätsladden.
- Håll nätsladd och skarvsladd borta från vatten, olja och skarpa kanter. Var uppmärksam så att inte kabeln kläms i dörrar, stängsel eller liknande. Det kan annars medföra att laddaren blir strömförande.
- Rengör inte batteriladdaren med vatten.
- Batteriladdaren kan användas av barn från 8 år och uppåt och personer med olika funktionshinder eller bristande erfarenhet och kunskap om de hålls under uppsikt eller får instruktioner om säker användning av batteriladdaren och förstår de risker användandet medför. Barn får inte leka med batteriladdaren. Rengöring och underhåll får inte utföras av barn utan tillsyn.
- Ladda aldrig batterier som inte är laddningsbara i batteriladdaren.
- Använd inte batteriladdaren nära brandfarliga material eller material som kan orsaka korrosion. Täck inte över batteriladdaren. Dra ut stickkontakten till batteriladdaren vid rökutveckling eller brand.
- Använd aldrig defekta eller skadade batteriladdare.

- Ladda endast batteriet inomhus där den inte utsätts för solljus och i ett rum med bra luftflöde. Ladda inte batteriet vid fuktiga förhållanden.

## Säkerhetsinstruktioner för underhåll

---



**VARNING:** Läs varningsinstruktionerna nedan innan du använder produkten.

---

- För att förhindra oavsiktlig start vid underhåll ska du vrida säkerhetsnyckeln till 0 och ta bort batteriet. Vänta i minst fem sekunder innan du påbörjar underhåll.
- Utför underhållsarbete på rätt sätt för att öka produktens livslängd och minska risken för olyckor. Låt en godkänd serviceverkstad utföra fackmannamässig reparation. Tala med din närmaste serviceverkstad för mer information.
- Utför endast det underhållsarbete som anges i den här bruksanvisningen. Mer omfattande arbete ska utföras av en godkänd serviceverkstad.
- Använd kraftiga arbetshandskar när du använder skärutrustningen. Kniven är mycket vass och skärskador uppstår lätt.
- Håll den skärande delen skarp och ren för bästa och säkraste prestanda.
- Låt din serviceverkstad regelbundet kontrollera produkten och göra nödvändiga inställningar och reparationer.
- Byt ut skadade, slitna och trasiga delar.
- Följ instruktionerna för byte av tillbehör. Använd endast tillbehör från tillverkaren.
- När den inte används ska du hålla produkten, batteriet och batteriladdaren ifrån varandra på ett torrt och låst utrymme inomhus. Se till att barn och personer som inte är godkända inte kan få tillgång till produkten, batteriet eller batteriladdaren.

# Montering

## Introduktion



**VARNING:** Innan du monterar produkten ska du läsa säkerhetskapitlet.



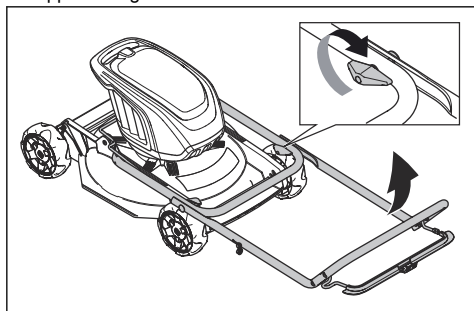
**VARNING:** Förhindra oavsiktlig start vid montering genom att vrida säkerhetsnyckeln till 0, ta bort batteriet och vänta minst fem sekunder.

## Montera handtaget

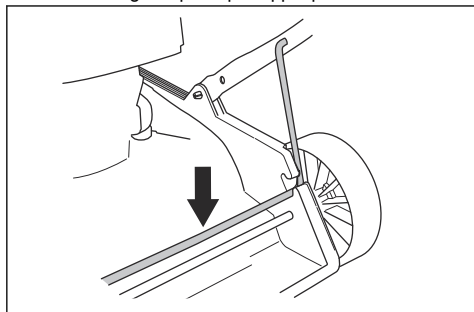


**OBSERVERA:** Vrid inte kablarna.

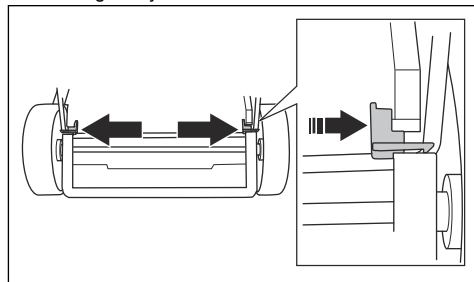
1. Passa in hålen på det övre handtaget med hålen på det nedre handtaget.
2. Dra åt vreden på höger och vänster sida helt och fäll upp handtaget.



3. Placera staget i spåret på klippkåpan.



4. Fäst de två spärrarna som låser fast staget och handtaget. Tryck fast dem helt.



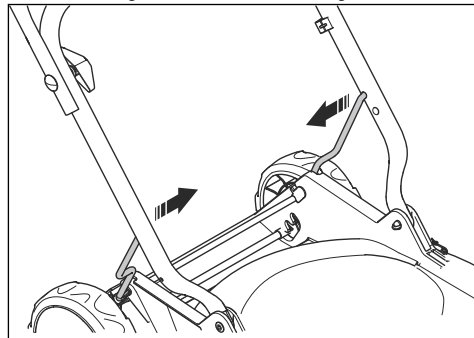
**Notera:** Det finns två spärrar, den ena är märkt med ett H och den andra med ett V. H-spärren ska sitta på höger sida, och V-spärren ska sitta på vänster sida.



**OBSERVERA:** Båda spärrarna måste vara ordentligt ditsatta innan du använder produkten.

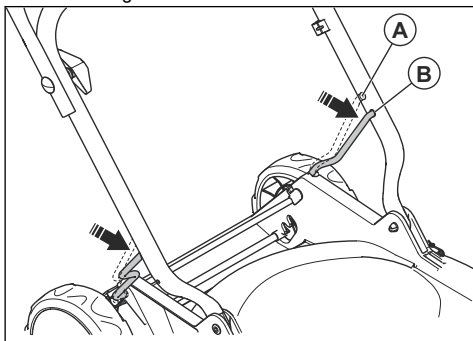
## Ställa in höjden på handtaget

1. Ta bort staget från det nedre handtaget.



- a) Sätt staget i det övre hålet (A) för att sänka handtaget.

- b) Sätt staget i det nedre hålet (B) för att höja handtaget.



---

## Drift

---

### Introduktion



**VARNING:** Innan du använder produkten måste du läsa igenom och förstå kapitlet om säkerhet.

### Husqvarna Connect

Husqvarna Connect är en kostnadsfri app för mobila enheter. Husqvarna Connect-appen utökar funktionerna för Husqvarna-produkten:

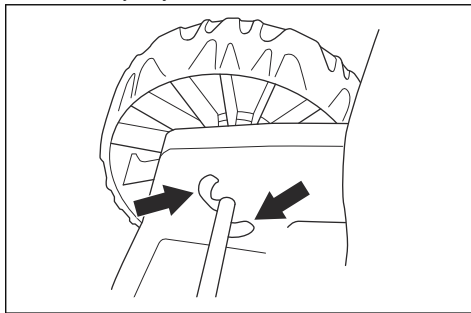
- Mer produktinformation.
- Information om, och hjälp med, produktdelar och service.

### Börja använda Husqvarna Connect

1. Hämta Husqvarna Connect-appen på din mobila enhet.
2. Utför registreringen i Husqvarna Connect-appen.
3. Följ instruktionerna i Husqvarna Connect-appen för att ansluta och registrera produkten.

### Ställa in klipphöjden

- Tryck ut axeln och flytta den till rätt läge för vart och ett av de fyra hjulen.



**OBSERVERA:** Ställ inte in för låg klipphöjd. Knivarna kan träffa marken om gräsmattans yta inte är plan.

### Batteri



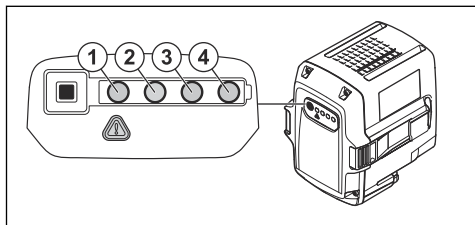
**VARNING:** Innan du använder batteriet måste du läsa igenom och förstå kapitlet om säkerhet. Du måste också läsa igenom och förstå den bruksanvisning som medföljer batteriet och batteriladdaren.

### Batteristatus

Displayen visar den återstående batterikapaciteten och om det föreligger problem med batteriet. Batterikapaciteten visas i fem sekunder efter att produkten har stängts av eller batteriindikatornappen



har tryckts in. Varningssymbolen på batteriet tänds när ett fel har inträffat. Se *Batteri på sida 573*.



Lysdioder	Batteristatus
Alla lysdioder är tända	Fulladdat (75–100 %)
Lysdiod 1, 2 och 3 lyser	Batteriet är 50–75 % laddat
Lysdiod 1 och 2 lyser	Batteriet är 25–50 % laddat
Lysdiod 1 lyser	Batteriet är 0–25 % laddat.
Lysdiod 1 blinkar	Batteriet är tomt. Ladda batteriet.

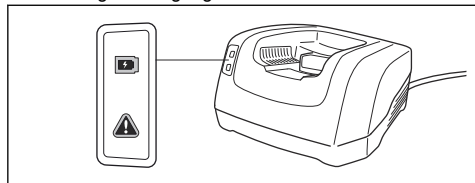
## Ladda batteriet

Ladda batteriet före första användning. Batteriet är endast 30 % laddat när det levereras till kunden.

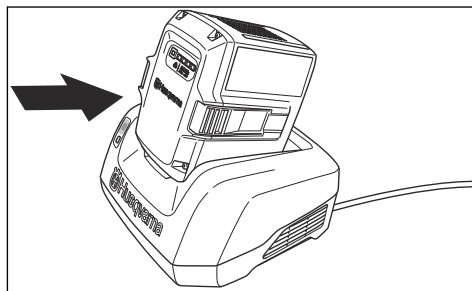
**Notera:** Batteriladdaren måste vara kopplad till den spänning och frekvens som anges på typskylten.

Batteriet laddas inte om batteritemperaturen är över 50 °C. Batteriladdaren sänker batteriets temperatur innan den börjar ladda.

1. Anslut den ena änden av batteriladdarens nätsladd till batteriladdarens uttag.
2. Anslut den andra änden av batteriladdarens nätsladd till ett jordat eluttag. Lysdioden på batteriladdaren blinkar grönt en gång.



3. Sätt i batteriet i batteriladdaren. Den gröna lampan på laddaren tänds när batteriet är korrekt anslutet till laddaren.



4. När alla lysdioder på batteriet lyser är batteriet fulladdat. Ladda batteriet i högst 24 timmar.
5. Koppla bort batteriladdaren ur vägguttaget genom att dra i kontakten, inte i nätsladden.
6. Ta ut batteriet ur batteriladdaren.

## Batteriladdningsstatus

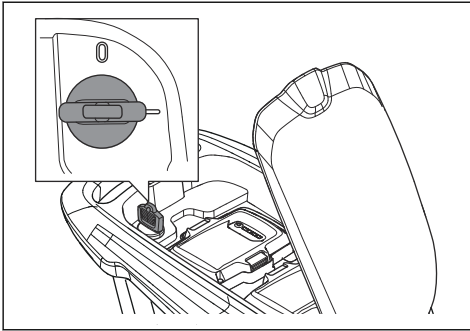
Ett litiumjonbatteri från Husqvarna kan laddas eller användas vid alla laddningsnivåer. Batteriet inte är skadat. Ett fulladdat batteri laddas inte ur även om batteriet sitter kvar i laddaren.

LED-display	Laddningsstatus
Lysdiod 1 blinkar	0–25 %
Lysdiod 1 lyser, 2 blinkar	25–50%
Lysdioderna 1 och 2 lyser, 3 blinkar	50–75 %
Lysdioderna 1, 2 och 3 lyser, 4 blinkar	75–100%
Lysdioderna 1, 2, 3 och 4 lyser	Fulladdat

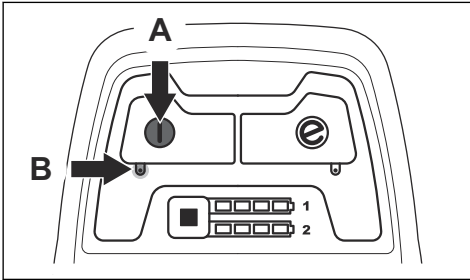
## Starta produkten

1. Sätt ett laddat batteri i batterifack nummer 1 under batteriluckan. För längre drifttid sätter du ett andra laddat batteri i batterifack nummer 2.

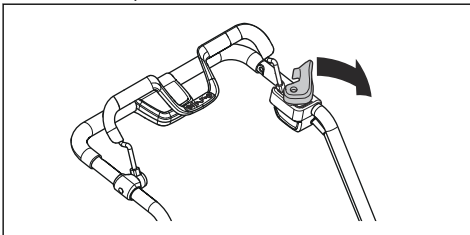
2. Vrid säkerhetsnyckeln till 1.



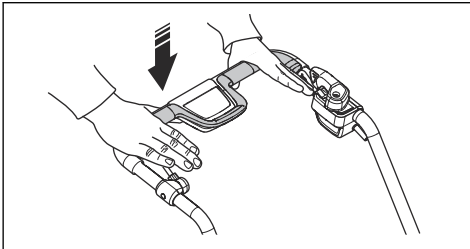
3. Stå bakom produkten.
4. Tryck på PÅ/AV-knappen (A) på reglagepanelen så tänds den gröna lysdioden (B).



5. Lossa startspärren.



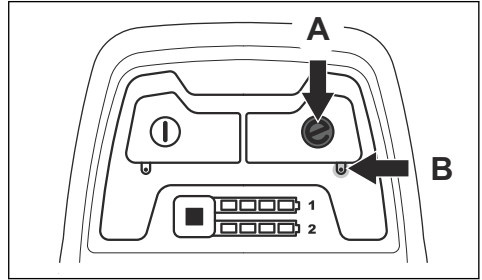
6. Tryck motorbromsbygeln i handtagets riktning.



## Använda SavE-funktionen

Produkten har en batterisparfunktion (SavE) som ger längre drifttid.

1. Tryck på SavE-knappen (A) för att starta funktionen. Den gröna lysdioden tänds.



2. Tryck på SavE-knappen igen för att stänga av funktionen. Den gröna lysdioden (B) slocknar.

SavE-funktionen stängs automatiskt av om markförhållandena kräver högre effekt. SavE-funktionen startar automatiskt när markförhållandena tillåter det.

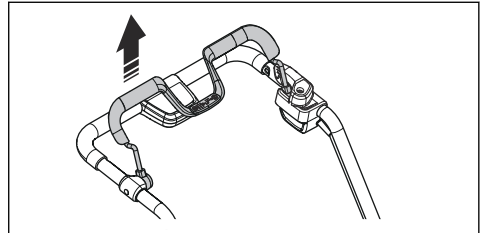
## Funktion för hög belastning

När produkten klipper högt eller vått gräs ökar motorn automatiskt varvtalet. Motorn återgår till standardläge när hög belastning inte längre behövs.

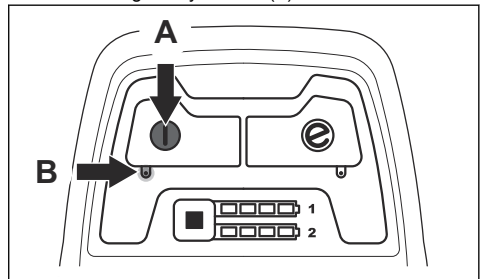
## Stänga av produkten

Produkten stängs av automatiskt om du inte använder den på tio minuter. Vrid alltid säkerhetsnyckeln till 0 innan du lämnar produkten utom synhåll.

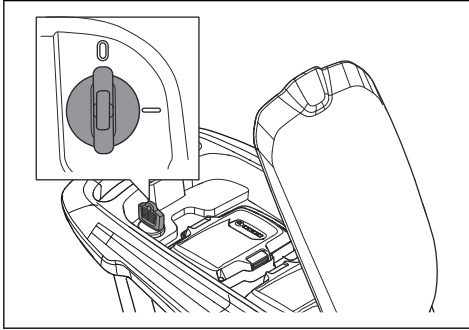
1. Släpp motorbromsbygeln för att stänga av motorn.



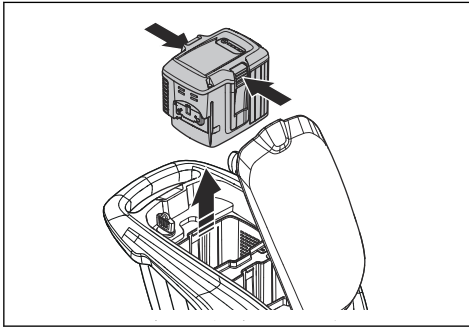
2. Tryck på PÅ/AV-knappen (A) på reglagepanelen så släcks den gröna lysdioden (B).



3. Öppna batteriluckan och vrid säkerhetsnyckeln till läget 0.



4. För att ta bort batteriet trycker du på de två frigöringsknapparna och drar ut batteriet.



5. Ladda batteriet om det är svagt. Mer information finns på *Ladda batteriet på sida 569*.

## Få ett bra resultat

- Använd alltid en vass kniv. En slö kniv ger ett ojämnt resultat och gräsets snittyta blir gul. En vass kniv förbrukar mindre energi än en slö kniv.
- Klipp inte mer än en tredjedel av gräsets längd. Klipp först med hög klipp höjd. Undersök resultatet och sänk klipp höjden till en lämplig nivå. Om gräset är väldigt långt kan du köra sakta och klippa två gånger vid behov.
- Klipp i olika riktningar varje gång för att undvika ränder i gräsmattan.
- Håll klippkåpan ren. Ansamling av gräs och smuts på insidan av klippkåpan kan försämra klippresultatet. Se *Rengöra produkten på sida 572*.

## Underhåll

### Introduktion



**VARNING:** Innan du utför underhåll måste du läsa och förstå kapitlet om säkerhet.

För allt service- och reparationsarbete på produkten krävs särskild utbildning. Vi garanterar att du kan få en fackmannamässig reparation och service utförd. Om din återförsäljare inte är en serviceverkstad kan du tala med dem för information om närmaste serviceverkstad.

### Underhållsschema

Underhållsintervallen beräknas utifrån daglig användning av produkten. Intervallen ändras om produkten inte används dagligen.

För underhåll som markeras med \* ska du se anvisningarna i *Säkerhetsanordningar på produkten på sida 563*.

	Varje användning	Varje månad	Varje säsong
Utför en allmän inspektion	X		
Rengör produkten	X		
Kontrollera startspärren*	X		
Kontrollera att produktens säkerhetsanordningar inte är defekta*	X		
Kontrollera skärutrustningen	X		

	Varje användning	Varje månad	Varje säsong
Kontrollera klippkåpan*	X		
Kontrollera motorbromsbygeln*	X		
Se till att PÅ/AV-knappen fungerar som den ska och inte är defekt	X		
Undersök om det finns några skador på batteriet	X		
Kontrollera batteriladdningen	X		
Se till att frigöringsknapparna på batteriet fungerar och låser fast batteriet i produkten	X		
Undersök om batteriladdaren har skador och se till att den fungerar som den ska.		X	
Undersök anslutningarna mellan batteriet och produkten. Undersök även anslutningen mellan batteriet och batteriladdaren.			X

## Allmän inspektion

- Se till att skruvar och muttrar på produkten är ådragna.
- Se till att produktens kablar inte är i ett läge där de kan skadas.

## Rengöra produkten

- Rengör plastdelar med en ren och torr trasa.
- Använd inte vatten för att rengöra produkten. Vatten kan tränga in i batteriet eller motorn och orsaka kortslutning eller skada på produkten.
- Undvik att använda högtryckstvätt när du rengör maskinen.
- Spola inte vatten direkt på motorn.
- Använd en borste för att ta bort löv, gräs och smuts.

## Rengöra batteriet och batteriladdaren



**VARNING:** Rengör inte batteriet eller batteriladdaren med vatten.

- Se till att batteriet och batteriladdaren är rena och torra innan du sätter i batteriet i batteriladdaren.
- Rengör batteripolerna med tryckluft eller med en mjuk, torr trasa.
- Rengör ytorna på batteriet och batteriladdaren med en mjuk, torr trasa.

## Kontrollera skärutrustningen



**VARNING:** Förhindra oavsiktlig start genom att vrida säkerhetsnyckeln till 0, ta bort batteriet och vänta minst fem sekunder.



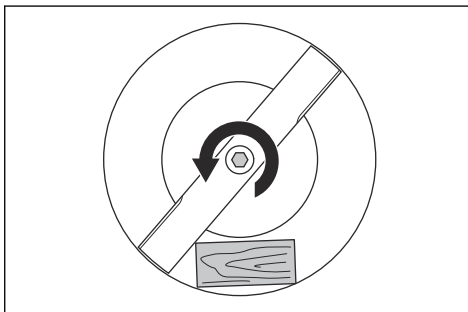
**VARNING:** Använd skyddshandskar när du utför underhåll på skärutrustningen. Kniven är mycket vass och skärskador uppstår lätt.

1. Kontrollera så att skärutrustningen inte är skadad eller har sprickor. Byt alltid ut skadad skärutrustning.
2. Titta på kniven för att se om den är skadad eller slö.

**Notera:** Kniven måste balanseras när den har slipats. Låt en serviceverkstad slipa, byta och balansera kniven. Om du träffar ett hinder som gör att produkten stannar ska du byta ut den skadade kniven. Låt serviceverkstaden bedöma om kniven kan slipas eller måste ersättas.

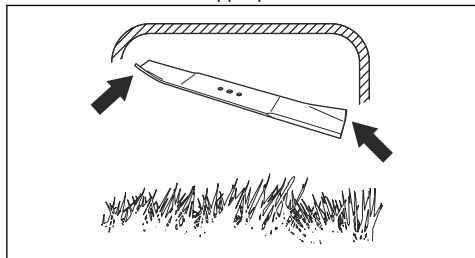
## Byta knivar

1. Lås kniven med en träbit.

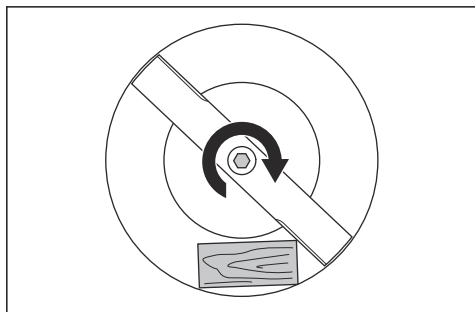


2. Ta bort knivbulten.
3. Tag bort kniven.
4. Kontrollera knivstödet och knivbulten för att se om det finns skador.

- Kontrollera motoraxeln för att se till att den inte är böjd.
- När du monterar en ny kniv ska du rikta knivens vinklade ändrar mot klippkåpan.



- Se till att kniven är i linje med motoraxelns mitt.
- Lås kniven med en träbit. Montera fjäderbrickan och dra åt bulten och brickan med ett vridmoment på 23–28 Nm.



- Dra runt kniven för hand och se till att den roterar fritt.



**VARNING:** Använd kraftiga arbetshandskar. Kniven är mycket vass och skärskador uppstår lätt.

- Starta produkten för att testa kniven. Om kniven inte är korrekt monterad känner du vibrationer i produkten eller så är klippresultat otillfredsställande.

## Felsökning

### Batteri

Lysdiod på batteriet	Orsak	Lösning
Den gröna lysdioden blinkar.	Batterispänningen är låg.	Ladda batteriet. Se <i>Ladda batteriet på sida 569</i> .
Lysdioden för fel blinkar.	Batteriet är svagt.	Ladda batteriet. Se <i>Ladda batteriet på sida 569</i> .
	Temperaturen i arbetsmiljön är hög eller för låg.	Använd batteriet vid temperaturer mellan $-10\text{ °C}$ och $40\text{ °C}$ .
	Överspänning.	Se till att nätspänningen stämmer med den som anges på produktens typskylt.  Ta ut batteriet ur batteriladdaren. Vänta fem sekunder och försök att ladda batteriet igen. Om problemet kvarstår kontakta du en godkänd serviceverkstad.
Lysdioden för fel lyser.	För stor cellskillnad (1 V).	Tala med en godkänd serviceverkstad.

## Batteriladdare

Lysdiod på batteriladdaren	Orsak	Lösning
Lysdioden för fel blinkar.	Temperaturen i arbetsmiljön är för hög eller för låg.	Använd batteriladdaren i temperaturer mellan 5 °C och 40 °C.
Lysdioden för fel lyser.		Tala med en godkänd serviceverkstad.

## Reglagepanel

För andra problem än de i detta avsnitt ska du tala med en serviceverkstad.

Knappsats	Felkod (antal blinkningar)	Eventuella fel	Möjlig åtgärd
Lysdiod för fel blinkar	3	Motorn är överbelastad	Öka klipphöjden. Se <i>Ställa in klipphöjden på sida 568</i> .
	5	Motorns varvtal sjunker för mycket och motorn stängs av	
	10	Motorstyrningen är för varm	Stäng av motorn och vänta tills den har blivit sval
	2	Kniven är igensatt	Förhindra oavsiktlig start genom att vrida säkerhetsnyckeln till 0, ta bort batteriet och vänta minst fem sekunder. Se till att kniven kan rotera fritt. Om problemet kvarstår ska du tala med en auktoriserad serviceverkstad
	9	Batterifel eller ingen signal från batteriet	Sätt batteriet i produkten på rätt sätt och undersök batterianslutningen. Om lysdioden för fel på batteriet blinkar, se <i>Batteri på sida 568</i> .
Produkten stannar	8	Batteriet är svagt	Ladda batteriet. Se <i>Ladda batteriet på sida 569</i> .
	0	Batterianslutningsfel	Undersök batterianslutningen

## Transport, förvaring och kassering

### Introduktion



**WARNING:** Förhindra oavsiktlig start vid transport genom att vrida säkerhetsnyckeln till 0, ta bort batteriet och vänta minst fem sekunder.

### Transport

- Kraven i lagstiftningen för farligt gods gäller för de medföljande litiumjonbatterierna.

- För kommersiella transporterna måste särskilda krav på förpackning och etiketter följas.
- Se till att du följer kraven gällande farligt material när du förbereder produkten för transport. Lokala föreskrifter kan gälla.
- Ta alltid loss alltid batteriet vid transport.
- Sätt tejp på batterikontakterna och se till att batteriet inte kan röra sig under transport.
- Sätt fast produkten under transport.

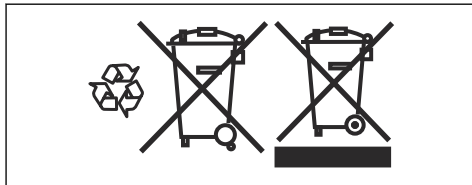
### Förvaring

- Ta alltid ut batteriet vid förvaring.

- Förhindra olyckor genom att se till att batteriet inte är kopplat till produkten vid förvaring.
- Förvara batteriladdaren på en sluten och torr plats.
- Förvara batteriet och batteriladdaren på en torr plats där det inte finns någon fukt eller frost.
- Koppla ur batteriet från batteriladdaren vid förvaring.
- Förvara inte batteriet där statisk elektricitet kan uppkomma. Förvara inte batteriet i en metallåda.
- Förvara batteriet i temperaturer mellan 5 °C och 25 °C, och inte i direkt solljus.
- Förvara batteriladdaren i temperaturer mellan 5 °C och 45 °C, och inte i direkt solljus.
- Se till att batteriet är 30–50 % laddat innan du förvarar det under längre perioder.
- Förvara produkten, batteriet och batteriladdaren i ett låst utrymme utom räckhåll för barn och personer som inte är godkända.
- Rengör produkten och gör en fullständig service innan du ska förvara produkten under en längre tid.

Istället ska den överlämnas till lämplig återvinningsstation för återvinning av elektrisk och elektronisk utrustning.

Genom att se till att denna produkt omhändertas ordentligt kan du hjälpa till att motverka potentiella negativa konsekvenser på miljö och människor, vilka annars kan orsakas genom oriktig avfallshantering av denna produkt. För mer detaljerad information om återvinning av denna produkt, kontakta din kommun, din hushållsavfallsservice eller affären där du köpte produkten.



## Kassering

Symbolen på produkten eller dess förpackning indikerar att denna produkt inte får hanteras som hushållsavfall.

## Tekniska data

	LB 146i
<b>Klippmotor</b>	
Typ av motor	BLDC (borstlös) 36 V
Motorvarvtal – SavE, varv/min	2 600
Motorvarvtal – nominellt, varv/min	3 000
Motorvarvtal – hög belastning, varv/min	3 500
Motoreffekt – max. kW	1,05
Motoreffekt – nominell, kW	0,9
Överströmsgräns (nuvarande gräns: 900W-27A)	27 (+/-) 1A
<b>Vikt</b>	
Vikt utan batteri, kg	16,9
<b>Batteri</b> <sup>101</sup>	
Batterityp	Husqvarna Battery-serien
<b>Batteritid</b>	
Batteritid, min. (fri drift) med SavE aktiverat, med ett 5,2 Ah-batteri från Husqvarna (BLi200).	77
Batteritid, min. (fri drift) med standardläge aktiverat, med ett 5,2 Ah-batteri från Husqvarna (BLi200).	45

<sup>101</sup> För bästa resultat och funktion rekommenderas Husqvarna batteri BLi200.

	<b>LB 146i</b>
<b>Emission av buller</b> <sup>102</sup>	
Ljudeffektnivå, uppmätt dB(A)	90
Ljudeffektnivå, garanterad L <sub>WA</sub> dB(A)	91
<b>Ljudnivåer</b> <sup>103</sup>	
Ljudtrycksnivå vid användarens öra, dB(A)	79
<b>Vibrationsnivåer</b> <sup>104</sup>	
Handtag, m/s <sup>2</sup>	0,9
<b>Skärutrustning</b>	
Klipphöjd, mm	35–70 mm
Klippbredd, cm	46
Klinga	BioClip
Artikelnummer	5947022-10

Godkända batterier	Typ	Batterikapacitet, Ah	Spänning, V	Vikt, lb/kg
BLi20	Litiumjonbatteri	4,0	36	2,6/1,2
BLi200	Litiumjonbatteri	5,2	36	2,8/1,3
BLi300	Litiumjonbatteri	9,4	36	4,2/1,9

Laddare som är godkända för de angivna batterierna, BLi	Ingående spänning, V	Frekvens, Hz	Effekt, W
QC80	100–240	50–60	100
QC80F	10–15	Ej tillämpligt	95
QC330	100–240	50–60	330
QC500	100–240	50–60	500
40-C80	100–240	50–60	68,8

<sup>102</sup> Emission av buller till omgivningen uppmätt som ljudeffekt (L<sub>WA</sub>) enligt EG-direktiv 2000/14/EG.

<sup>103</sup> Redovisade data för ljudtrycksnivå har ett typiskt spridningsmått (standardavvikelse) på 1,2 dB(A).

<sup>104</sup> Rapporterade data för vibrationsnivå har en typisk statistisk spridning (standardavvikelse) på 0,2 m/s<sup>2</sup>. Vibrationsstandard SS-EN 60335-2-77:2017 kapitel 20.105



---

# EG-försäkran om överensstämmelse

---

## EG-försäkran om överensstämmelse

**Husqvarna AB**, 561 82 Huskvarna, Sverige, tel:  
+46-36-146500, försäkrar härmed att **gräsklipparen**  
**Husqvarna LB 146i** från år 2021 och framåt uppfyller  
kraven i RÅDETS DIREKTIV:

- av den 8 juni 2011 angående "begränsning av användning av vissa farliga ämnen" **2011/65/EU**
- av den 17 maj 2006 "angående maskiner" **2006/42/EG**
- av den 26 februari 2014 "angående elektromagnetisk kompatibilitet" **2014/30/EU**
- av den 8 maj 2000 "angående emission av buller i miljön" **2000/14/EG**

Information om bulleremissioner finns i avsnittet  
Tekniska data.

Följande standarder har tillämpats:

**EN 60335-1:2012+A11:2014+A13:2017, EN**  
**60335-2-77:2010, EN 62233:2008, EN**  
**55014-1:2017+A11:2020, EN 55014-2:2015, EN IEC**  
**63000:2018**

Om inte annat anges är ovan angivna standarder de  
senast offentliggjorda versionerna.

Anmält organ: **0404, RISE SMP Svensk Maskinprovning**  
**AB, Box 7035, SE-750 07 Uppsala** har utfört en  
utvärdering av överensstämmelse i enlighet med bilaga  
VI till direktiv 2000/14/EG.

Huskvarna, 2021-10-30



Claes Losdal, utvecklingschef/trädgårdsprodukter  
(auktorerad representant för Husqvarna AB samt  
ansvarig för tekniskt underlag)

## İçindekiler

Giriş.....	578	Sorun giderme.....	594
Güvenlik.....	580	Taşıma, depolama ve atma.....	595
Montaj.....	588	Teknik veriler.....	596
Çalışma.....	589	AT Uyumluluk Bildirimi.....	598
Bakım.....	592		

## Giriş

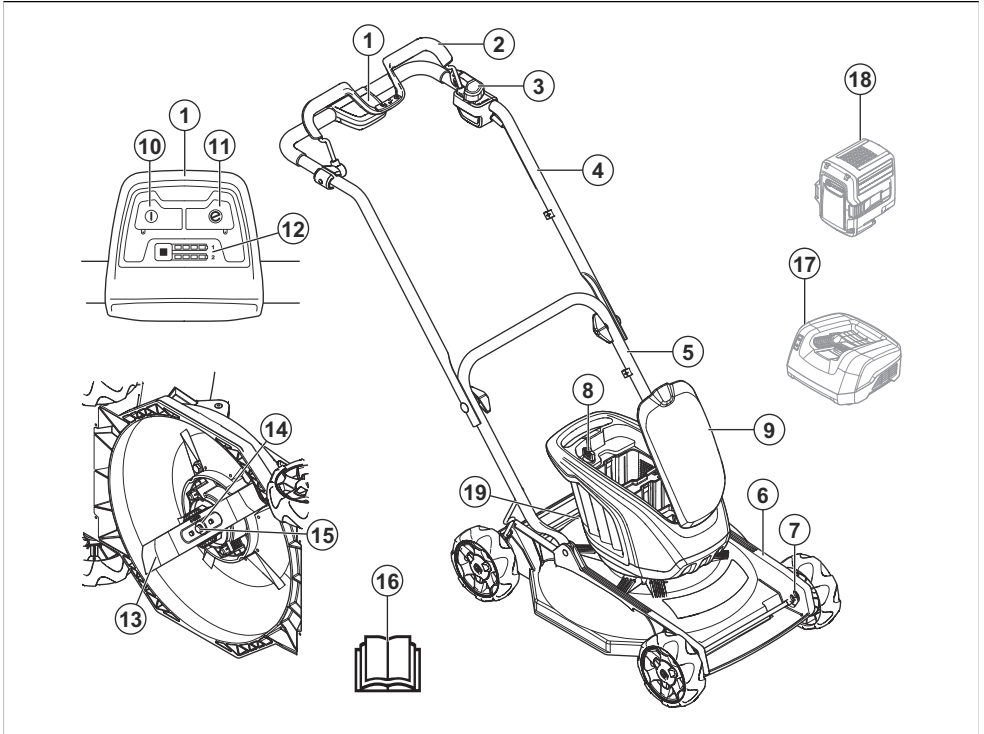
### Ürün açıklaması

Ürün, çimleri gübre olacak şekilde kesmek için BioClip kullanan yaya kumandalı bir döner çim biçme makinesidir.

### Kullanım amacı

Ürünü çim biçmek için kullanın. Ürünü başka işler için kullanmayın.

### Ürüne genel bakış



1. Kontrol paneli
2. Motor fren kolu
3. Başlatma engelleyici
4. Üst tutacak
5. Alt kol
6. Kesme kapağı
7. Kesme yüksekliği kontrolü

8. Güvenlik anahtarı
9. Akü kapağı
10. AÇMA/KAPAMA düğmesi
11. SavE düğmesi
12. Akü şarj göstergesi ve akü düğmesi
13. Bıçak
14. Yaylı rondela

15. Bıçak cıvatası
16. Kullanım kılavuzu
17. Akü şarj cihazı (Aksesuar)
18. Akü (Aksesuar)
19. QR koduna sahip nominal değerler plakası

## Ürün üzerindeki semboller



Uyarı: Dikkatsiz ya da yanlış kullanım, operatörün veya başkalarının yaralanmasına veya ölmesine neden olabilir.



Kullanım kılavuzunu dikkatle okuyun ve kullanımdan önce talimatları anladığınızdan emin olun.



İnsanları ve hayvanları çalışma alanından güvenli bir uzaklıkta tutun.



Atılan nesnelere ve seken cisimlere dikkat edin.



Uyarı: El ve ayaklarınızı döner bıçaktan uzak tutun.



Uyarı: El ve ayaklarınızı döner parçalardan uzak tutun.



Onarım veya bakım gerçekleştirmeden önce

güvenlik anahtarını sökün.



Yağmura maruz bırakmayın



Ürün ya da ürünün ambalajı evsel atık değildir. Ürünü, elektrikli ve elektronik ekipmanlar için bir geri dönüşüm istasyonunda geri dönüştürün.



Ürün, geçerli AT direktiflerine uygundur.



Ürün, geçerli Avrasya Gümrük Birliği direktiflerine uygundur.



Ürün, geçerli UkrSEPRO direktiflerine uygundur.



Ürün, geçerli RCM direktiflerine uygundur. Sadece AU/NZ için geçerlidir



Avrupa Topluluğu Direktifi uyarınca çevreye yayılan gürültü emisyonu. Ürünün emisyonu Teknik veriler bölümünde ve etiketin üstünde belirtilmektedir.

## IPX1 IPX1 - Damlama korumalı



Çalıştırma prosedürü: AÇMA/ KAPATMA düğmesine basın, başlatma engelleyiciyi gevşetin, motor fren kolunu aşağıya doğru itin.



Durdurmak için motor fren kolunu serbest bırakın.

**Not:** Ürünün üzerindeki diğer semboller/etiketler, bazı pazarların sertifikalandırma gereklilikleri ile ilgilidir.

### Ürün üzerindeki etiket



## Güvenlik

### Güvenlik tanımları

Kılavuzdaki önemli kısımları vurgulamak için uyarılar ve notlar kullanılmıştır.



**UYARI:** Kılavuzdaki talimatlara uyulmadığı takdirde operatör veya çevredeki kişiler için ciddi

TEHLİKE – El ve ayaklarınızı uzak tutun.

## Ürün sorumluluğu

Ürün sorumluluğu yasalarında belirtildiği üzere;

- ürünün hatalı bir şekilde onarılması,
- ürünün, üretici tarafından onaylanmayan veya üreticiden alınmayan parçalarla tamir edilmesi,
- üründe, üreticiden alınmayan veya üretici tarafından onaylanmayan bir aksesuar bulunması,
- ve ürünün, onaylı bir servis merkezinde veya yetkili bir kurum tarafından tamir edilmemesi durumunda oluşabilecek hasarlardan sorumlu değiliz.

yaralanma veya ölüm tehlikesi varsa kullanılır.

---



**DİKKAT:** Kılavuzdaki talimatlara uyulmadığı takdirde ürünün, diğer malzemelerin veya çevrenin zarar görme riski olduğunda kullanılır.

---

**Not:** Belirli bir durumda bilgi verilmesi gerektiğinde kullanılır.

---

### Genel güvenlik talimatları

---



**UYARI:** Ürünü kullanmadan önce aşağıdaki uyarı talimatlarını okuyun.

---

- Bu ürün yanlış kullanıldığında veya dikkatli olmazsanız tehlikelidir. Güvenlik talimatlarına uyulmaması yaralanmalara veya ölüme yol açabilir.
- Bu ürün, çalışırken elektromanyetik bir alan oluşturur. Bu alan, bazı koşullarda aktif veya pasif tıbbi implantlarda girişime neden edebilir. Ciddi veya ölümcül yaralanma riskini azaltmak için tıbbi implantı olan kişilerin, bu ürünü kullanmadan önce

doktorlarına ve tıbbi implant üreticilerine danışmalarını öneririz.

- Her zaman dikkatli olun ve sağduyunuzu kullanın. Özel bir durumda aracı nasıl kullanacağınızdan emin değilseniz durun ve devam etmeden önce Husqvarna yetkili satıcınızla görüşün.
- Diğer insanları veya bu insanlara ait mülkleri içeren kazalardan operatörün sorumlu tutulacağını unutmayın.
- Ürünü temiz tutun. İşaretleri ve etiketleri net bir şekilde okuyabildiğinizden emin olun.
- Çocukların veya bu kullanma talimatlarını bilmeyen kişilerin cihazı kullanmasına asla izin vermeyin. Yerel yönetmeliklerde operatör yaşına dair bir sınırlama olabilir
- Fiziksel veya zihinsel kapasitesi düşük olan bir kişi ürünü kullanırken bu kişiyi daima gözetim altında tutun. Sorumluluk sahibi bir yetişkin her zaman orada olmalıdır.
- Ürünü yorgun, hasta veya alkol ya da ilaç etkisi altındayken kullanmayın. Bu durum görüş, dikkat, koordinasyon ve doğru bir

şekilde düşünmenizi olumsuz yönde etkiler.

- Arızalıysa ürünü kullanmayın.
- Başkaları tarafından değiştirilmiş olma olasılığı varsa bu ürünü değiştirmeyin veya kullanmayın.

## Çalışma alanı güvenliği



**UYARI:** Ürünü kullanmadan önce aşağıdaki uyarı talimatlarını okuyun.

- Ürünü kullanmadan önce çalışma alanındaki dal, çalı çırpı ve taş gibi nesnelere alın.
- Kesme donanımına çarpan nesnelere fırlatılarak kişi ve nesnelere zarar görmesine neden olabilir. Etraftaki insanları ve hayvanları üründen güvenli bir uzaklıkta tutun.
- Ürünü sis, yağmur, kuvvetli rüzgar, şiddetli soğuk ve yıldırım düşmesi riski gibi olumsuz hava koşullarında hiçbir zaman kullanmayın. Ürünü olumsuz hava koşullarında veya nemli ya da ıslak yerlerde kullanmak yorucudur. Kötü hava, kaygan yüzeyler gibi tehlikeli koşullara neden olabilir.

- Ürünün güvenli bir şekilde çalışmasını önleyebilecek kişi, nesne ve durumlara dikkat edin.
- Kök, taş, çalı çırpı, çukur, hendek gibi engellere dikkat edin. Uzun çim nesnelere saklayabilir.
- Eğimli yerlerde çim kesmek tehlikeli olabilir. Aşırı dik eğimlerde çim biçmeyin. Ürünü 15°'den daha eğimli zeminlerde kullanmayın
- Yokuşta yön değiştirirken çok dikkatli olun. Yokuşlarda ürünü yatay olarak kullanın. Yukarı ve aşağı hareket ettirmeyin.
- Gizli köşelere ve açık görüşü engelleyen nesnelere yanına giderken dikkatli olun.

## Çalışma güvenliği



**UYARI:** Ürünü kullanmadan önce aşağıdaki uyarı talimatlarını okuyun.

- Bu ürünü yalnızca çimenlik alanlarda çim kesmek için kullanın. Ürünün başka işler için kullanılması yasaktır.
- Kişisel koruyucu araçlar kullanın. Bkz. *Kişisel koruyucu ekipman sayfa: 584.*

- Acil bir durumda motoru hızlı bir şekilde nasıl kapatacađınızı öğrenin.
- Ürünü yağmurda veya ıslak koşullarda çalıştırmayın. Ürünün içine su girerse elektrik çarpması riski artar.
- Bıçađı ve tüm kapakları doğru bir şekilde takmadan ürünü çalıştırmayın. Yanlış bir şekilde takılan bıçak gevşeyerek yaralanmanıza neden olabilir.
- Bıçađın taş veya kök gibi nesnelere çarpmamasına dikkat edin. Bu, bıçađa zarar verebilir ve motor milini bükebilir. Bükülmüş aks, ağır titreşime ve çok yüksek bir bıçak gevşemesi riskine neden olabilir.
- Bıçak bir cisme çarpar veya titreşim oluşursa ürünü hemen durdurun. Motoru durdurun, güvenlik anahtarını 0 konumuna getirin ve aküyü çıkarın. Üründe hasar olup olmadığını kontrol edin. Hasarları onarın veya yetkili bir servis noktasının onarım yapmasını sağlayın.
- Motor çalıştırıldığında motor fren kolunu asla sürekli olarak kola takmayın.
- Ürünü sabit ve düz bir yüzeye koyup çalıştırın. Bıçađın yere veya diđer cisimlere çarpmadığından emin olun.
- Ürünü çalıştırırken her zaman arkasında durun.
- Ürünü kullanırken tüm tekerleklerin yere basmasını sağlayın ve 2 elinizi kolun üzerinde tutun. Ellerinizi ve ayaklarınızı döner bıçaklardan uzakta tutun.
- Motor çalışırken ürünü yatırmayın.
- Ürünü arkaya doğru çekerken dikkatli olun.
- Motor çalışırken ürünü hiçbir zaman yukarı kaldırmayın. Ürünü kaldırmanız gerekiyorsa öncelikle motoru durdurun, güvenlik anahtarını 0 konumuna getirin ve aküyü çıkarın.
- Ürünü kullanırken arkaya doğru yürümeyin.
- Çakıl, taş ve asfalt gibi malzemelerden yapılmış, çim olmayan alanlardan geçerken motoru durdurun.
- Motor çalışırken ürünle birlikte koşmayın. Ürünü kullanırken her zaman yürüyün.
- Kesme yüksekliğini deđiştirmeden önce motoru durdurun. Motor çalışırken asla ayarlama yapmayın.
- Motor çalışırken ürünün görüş alanından çıkmasına asla izin

vermeyin. Motoru durdurun ve kesme donanımının dönmediğinden emin olun.

## Kullanım için güvenlik talimatları

### Kişisel koruyucu ekipman



**UYARI:** Ürünü kullanmadan önce aşağıdaki uyarı talimatlarını okuyun.

- Kişisel koruyucu ekipmanlar yaralanma riskini tamamen engelleyemez ancak bir kaza durumunda yaralanmanın derecesini azaltır. Bayinizin doğru ekipmanı seçmenize yardımcı olmasını sağlayın.
- Ağır hizmet tipi kaymayan botlar veya ayakkabılar kullanın. Açık ayakkabılar giymeyin veya çıplak ayakla yürümeyin.
- Kalın, uzun pantolonlar giyin.
- Kesme donanımını takma, kontrol etme veya temizleme gibi gerekli durumlarda koruyucu eldivenler kullanın.

### Ürünün üzerindeki güvenlik aletleri



**UYARI:** Ürünü kullanmadan önce aşağıdaki uyarı talimatlarını okuyun.

- Güvenlik araçları arızalı olan bir ürünü kullanmayın.
- Güvenlik araçlarını düzenli olarak kontrol edin. Güvenlik araçları arızalıysa Husqvarna servis nokتانızla görüşün.

### Kesme kapağını kontrol etme

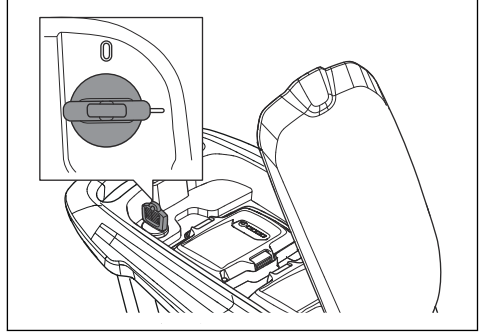
Kesme kapağı, üründeki titreşimleri ve bıçakla yaralanma riskini azaltır.

- Çatlak gibi hasarlar olmadığından emin olmak için kesme kapağını inceleyin.

### Güvenlik anahtarı

Güvenlik anahtarı, akü kapağının altındadır. Güvenlik anahtarı, motora güç sağlayan aküye bağlıdır.

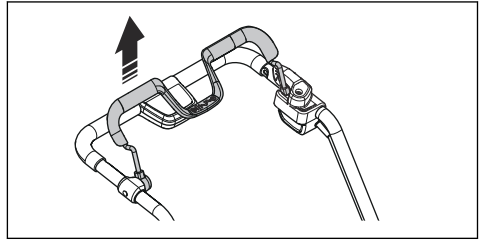
- Güvenlik anahtarını kontrol etmek için motoru çalıştırın ve durdurun.
- Güvenlik anahtarı doğru çalışıyorsa motor sadece güvenlik anahtarı 1 konumuna getirildiğinde çalışır.



### Motor fren kolu

Motor fren kolu motoru durdurur. Motor fren kolu serbest bırakıldığında motor durur.

Motor frenini kontrol etmek için motoru çalıştırıp motor fren kolunu serbest bırakın. Motor 3 saniye içinde durmazsa motor frenini onaylı bir Husqvarna servis nokتانına ayarlatın.



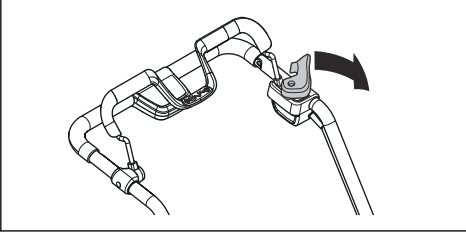
### Başlatma engelleyicinin kontrol edilmesi

Motorun çalışmasını engellediğinden emin olmak için başlatma engelleyicini kontrol edin.

1. Motor freni kolunu gidonun yönünde itin. Başlatma engelleyici hareketi durdurur.



2. Başlatma engelleyiciyi dışarı doğru itin.



3. Başlatma engelleyiciyi serbest bırakın ve başlangıç konumuna geri döndüğünden emin olun.

## Akü güvenliği



**UYARI:** Ürünü kullanmadan önce aşağıdaki uyarı talimatlarını okuyun.

- Yalnızca ilgili Husqvarna ürünleri için güç kaynağı olarak Husqvarna şarj edilebilir akülerini kullanın. Yaralanmayı önlemek için aküyü başka cihazların güç kaynağı olarak kullanmayın.
- Şarj edilebilir olmayan akü kullanmayın.
- Elektrik çarpması riski. Akü terminallerini anahtarlara, madeni paralara, vidalara veya diğer metallere bağlamayın. Bu, aküde kısa devreye neden olabilir.
- Akünün hava deliklerine herhangi bir nesne koymayın.
- Aküyü doğrudan güneş ışığından, ısı kaynaklarından veya açık alevden uzak tutun. Akü patlayabilir ve yanıklara

ve/veya kimyasal yanıklara neden olabilir.

- Aküyü yağmurdan ve ıslak koşullardan uzak tutun.
- Aküyü mikrodalgalardan ve yüksek basınçtan uzak tutun.
- Aküyü parçalarına ayırmaya veya kırmaya çalışmayın.
- Aküde sızıntı varsa sıvının vücudunuza veya gözlerinize temas etmesine izin vermeyin. Sıvıya dokunduysanız etkilenen bölgeyi bolca suyla yıkayın ve tıbbi yardım alın.
- Aküyü -10°C ile 40°C arasındaki sıcaklıklarda kullanın.
- Aküyü veya akü şarj cihazını suyla temizlemeyin. Bkz. *Aküyü ve şarj cihazını temizlemek için sayfada: 593.*
- Hatalı veya hasarlı aküleri kullanmayın.
- Aküleri çivi, madeni para, mücevher gibi metal nesnelere uzak bir yerde saklayın.

## Akü şarj cihazı güvenliği



**UYARI:** Ürünü kullanmadan önce aşağıdaki uyarı talimatlarını okuyun.

- QC akü şarj cihazlarını yalnızca Husqvarna yedek akülerini şarj etmek için kullanın.
- Elektrik çarpması veya kısa devre riski. Şarj cihazının hava deliklerine herhangi bir nesne koymayın. Akü şarj cihazını parçalarına ayırmaya çalışmayın. Şarj cihazı terminallerini metal nesnelere bağlamayın. Onaylı bir elektrik prizi kullanın.
- Bu ürün, çalışırken elektromanyetik bir alan oluşturur. Bu alan, bazı koşullarda aktif veya pasif tıbbi implantlarda girişime neden edebilir. Ciddi veya ölümcül yaralanma riskini azaltmak için tıbbi implantı olan kişilerin, bu ürünü kullanmadan önce doktorlarına ve tıbbi implant üreticilerine danışmalarını öneririz.
- Akü şarj cihazının güç kablosunun hasarlı olmadığını ve üzerinde çatlaklar bulunmadığını düzenli olarak kontrol edin.
- Akü şarj cihazını güç kablosundan tutup kaldırmayın. Akü şarj cihazını elektrik prizinden çıkarmak için fişi çekin. Güç kablosunu çekmeyin.
- Güç kablosunu ve uzatma kablolarını sudan, yağdan ve keskin kenarlı cisimlerden uzak tutun. Kabloların kapılara, çitlere veya benzeri yerlere sıkışmadığından emin olun. Bu durum şarj cihazının elektrik yüklenmesine sebep olabilir.
- Akü şarj cihazını suyla temizlemeyin.
- Akü şarj cihazı, gözetim altında tutuldukları ya da akü şarj cihazının güvenli şekilde kullanımına ilişkin talimatlar sağladığı ve gerçekleşebilecek tehlikeler açıklandığı sürece 8 yaş ve üzeri çocuklar ve fiziksel, duyuşsal veya zihinsel yetenekleri sınırlı olan ya da yetersiz deneyim ve bilgiye sahip kişiler tarafından kullanılabilir. Çocuklar akü şarj cihazı ile oynamamalıdır. Temizlik ve kullanıcı bakım işlemleri gözetim olmadan çocuklar tarafından gerçekleştirilmemelidir.
- Şarj edilemeyen aküleri akü şarj cihazında şarj etmeyin.
- Akü şarj cihazını, yanıcı malzemelerin veya korozyona neden olabilecek malzemelerin yakınında kullanmayın. Akü şarj cihazının üzerini kapatmayın.

Duman veya ateş çıkması durumunda akü şarj cihazının fişini çekip çıkarın.

- Hatalı veya hasarlı akü şarj cihazlarını kullanmayın.
- Aküyü yalnızca kapalı alanda, iyi hava akışı olan ve güneş ışığından uzak bir odada şarj edin. Aküyü ıslak koşullarda şarj etmeyin.

### Bakım için güvenlik talimatları



**UYARI:** Ürünü kullanmadan önce aşağıdaki uyarı talimatlarını okuyun.

- Bakım sırasında yanlışlıkla çalıştırmayı önlemek için güvenlik anahtarını 0 konumuna getirin ve aküyü çıkarın. Bakıma başlamadan önce en az 5 saniye bekleyin.
- Ürünün ömrünü uzatmak ve kaza riskini azaltmak için bakım işini doğru şekilde yapın. Onaylı bir servis noktasında profesyonel onarım yaptırın. Daha fazla bilgi için size en yakın servis noktası ile görüşün.

- Yalnızca bu kullanım kılavuzunda belirtilen bakım çalışmasını yapın. Bu kapsamın dışındaki işlemler onaylı bir servis noktası tarafından yapılmalıdır.
- Kesme donanımını kullanırken ağır hizmet tipi eldiven giyin. Bıçak çok keskindir ve kolaylıkla kesiklere yol açabilir.
- En iyi ve en güvenli performans için kesme kenarlarının keskin ve temiz olmasına özen gösterin.
- Servis noktanızın düzenli olarak ürünü kontrol etmesini ve gerekli ayarları ve onarımları yapmasını sağlayın.
- Hasarlı, aşınmış veya bozuk parçaları değiştirin.
- Aksesuar değiştirmeye ilgili talimatlara uyun. Yalnızca üreticiden gelen aksesuarları kullanın.
- Çalışmadığı zaman ürünü, aküyü ve akü şarj cihazını ayrı olarak kuru, kapalı ve kilitle bir alanda saklayın. Çocukların ve onaylı olmayan kişilerin ürüne, aküye veya akü şarj cihazına erişemediklerinden emin olun.

# Montaj

## Giriş



**UYARI:** Ürünü monte etmeden önce, güvenlik bölümünü okuyun.



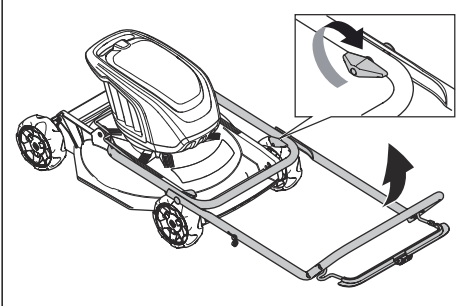
**UYARI:** Montaj sırasında yanlışlıkla çalıştırmayı önlemek için güvenlik anahtarını 0 konumuna getirin, aküyü çıkarın ve en az 5 saniye bekleyin.

## Kolun takılması

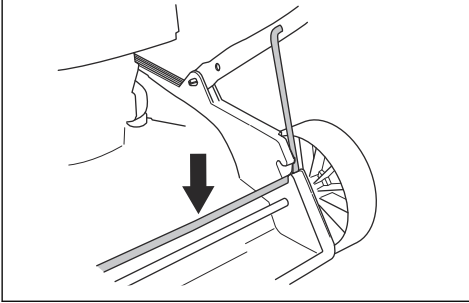


**DİKKAT:** Kabloları bükmeyin.

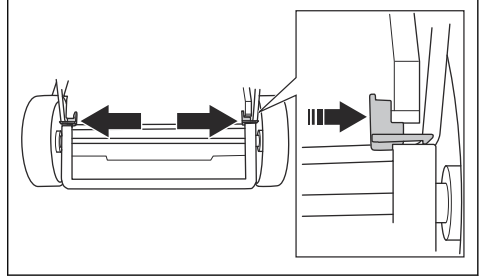
1. Üst tutma yerindeki delikleri alt tutma yerindeki deliklerle hizalayın.
2. Sağ ve sol taraftaki düğmeleri tamamen sıkın ve kolu yukarı katlayın.



3. Mandallı kesme kapağı üzerindeki oyuğa yerleştirin.



4. Mandallı ve kolu yerine sabitleyecek 2 durdurma parçasını takın. Parçaları yerine oturacak şekilde tamamen bastırın.



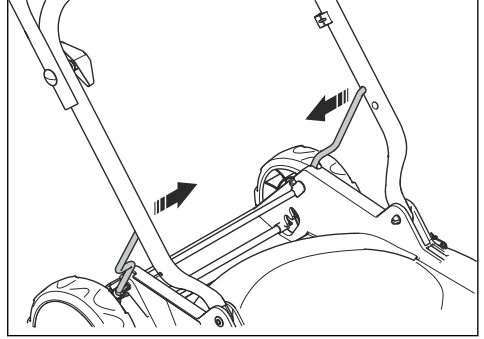
**Not:** Biri H, diğeri de V ile tanımlanmış 2 adet durdurma parçası bulunmaktadır. Durdurma parçalarını, H sağ tarafta ve V de sol tarafta olacak şekilde yerleştirin.



**DİKKAT:** 2 durdurma parçası takılı değilse ürünü çalıştırmayın.

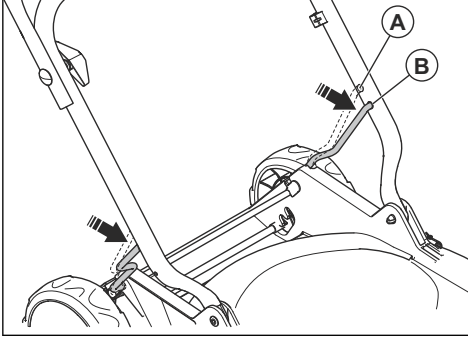
## Tutma yeri yüksekliğini ayarlama

1. Tutma yeri mesnedini alt tutma yerinden çıkarın.



- a) Tutma yeri yüksekliğini azaltmak için tutma yeri mesnedini üst deliğe (A) yerleştirin.

- b) Tutma yeri yüksekliğini artırmak için tutma yeri mesnedini alt deliğe (B) yerleştirin.



## Çalışma

### Giriş



**UYARI:** Ürünü kullanmadan önce güvenlik bölümünü okuyup anlamalısınız.

### Husqvarna Connect

Husqvarna Connect, mobil cihazınız için ücretsiz bir uygulamadır. Husqvarna Connect uygulaması, Husqvarna ürününüz için ayrıntılı işlevler sunar:

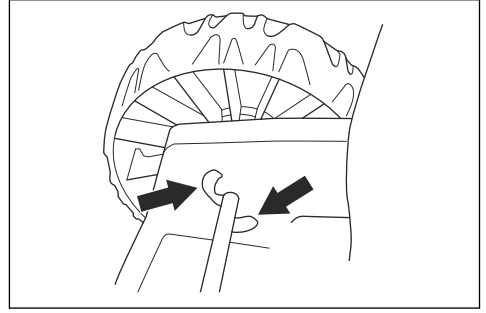
- Ayrıntılı ürün bilgileri.
- Ürün parçaları ve servis hakkında bilgi ve yardım.

### Husqvarna Connect uygulamasını kullanmaya başlamak için

1. Husqvarna Connect uygulamasını mobil cihazınıza indirin.
2. Husqvarna Connect uygulamasında kaydolun.
3. Ürünü bağlamak ve kaydetmek için Husqvarna Connect uygulamasındaki talimatları izleyin.

### Kesme yüksekliğini ayarlama

- Mili dışarı doğru bastırıp 4 tekerleğin her biri için doğru konuma kaydırın.



**DİKKAT:** Kesme yüksekliğini çok alçak ayarlamayın. Çimin yüzeyi düz değilse bıçaklar yere çarpabilir.

### Akü

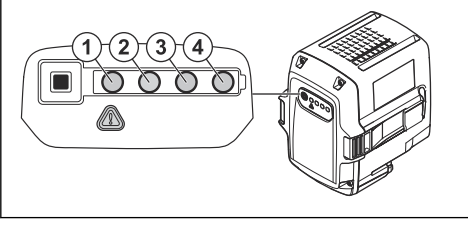


**UYARI:** Aküyü kullanmadan önce güvenlik bölümünü okuyup anlamalısınız. Akü ve akü şarj cihazına ait kullanım kılavuzunu da okuyup anlamalısınız.

### Akü durumu

Ekranda, kalan akü kapasitesi ve aküyle ilgili sorun olup olmadığı gösterilir. Akü kapasitesi, ürün kapatıldıktan veya akü gösterge düğmesine basıldıktan sonra 5 saniye süreyle gösterilir. Bir hata meydana geldiğinde

akünün üzerindeki uyarı simgesi yanar. Bkz. Akü sayfa: 594.



LED ışıkları	Akü durumu
Tüm LED'ler yanmaktadır	Tamamen dolu (%75-100)
LED 1, LED 2, LED 3 yanıyor	Akü %50-%75 dolu
LED 1, LED 2 yanıyor	Akü %25-%50 dolu
LED 1 yanıyor	Akü %0-%25 doludur.
LED 1 yanıp sönüyor	Akü boştur. Aküyü şarj edin.

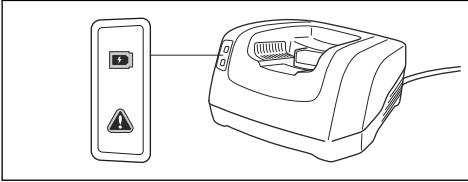
### Aküyü şarj etme

İlk kullanımdan önce aküyü şarj edin. Akü, müşteriye tedarik edildiğinde yalnızca %30 oranında doludur.

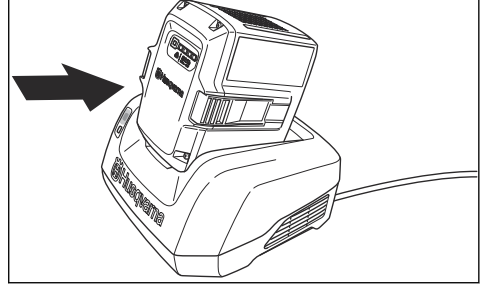
**Not:** Akü şarj cihazı, nominal değerler plakasında belirtilen voltaj ve frekansa bağlanmalıdır.

Akü sıcaklığı 50°C'nin üzerindeyse akü şarj olmaz. Akü şarj cihazı, şarj işlemine başlamadan önce akünün sıcaklığını düşürür.

1. Akü şarj cihazının güç kablosunun bir ucunu akü şarj cihazının soketine bağlayın.
2. Akü şarj cihazının güç kablosunun diğer ucunu topraklamalı bir elektrik prizine bağlayın. Akü şarj cihazındaki LED bir kez yeşil renkte yanıp söner.



3. Aküyü şarj cihazına yerleştirin. Akü, akü şarj cihazına doğru şekilde bağlandığında, şarj cihazı üzerindeki yeşil ışık yanar.



4. Akü üzerindeki tüm LED'ler yandığında akü tam olarak şarj olmuştur. Aküyü en fazla 24 saat boyunca şarj edin.
5. Akü şarj cihazını elektrik prizinden çıkarmak için güç kablosunu değil fişi çekin.
6. Aküyü şarj cihazından çıkarın.

### Akü şarj durumu

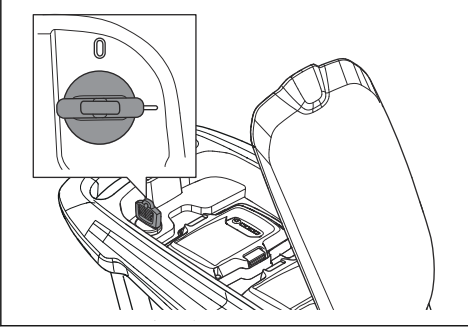
Bir Husqvarna Lityum iyon akü tüm şarj seviyelerinde şarj edilebilir veya kullanılabilir. Akü bundan zarar görmez. Tamamen şarj olmuş bir akü, şarj cihazının içinde kalırsa akünün şarjı azalmaz.

LED ekran	Şarj durumu
LED 1 yanıp sönüyor	%0-%25
LED 1 yanıyor, LED 2 yanıp sönüyor	%25-%50
LED 1, LED 2 yanıyor, LED 3 yanıp sönüyor	%50-%75
LED 1, LED 2, LED 3 yanıyor, LED 4 yanıp sönüyor	%75-%100
LED 1, LED 2, LED 3, LED 4 yanıyor	Tamamen dolu

### Ürünü çalıştırma

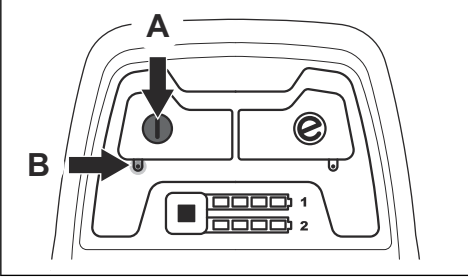
1. Şarj olmuş bir aküyü, akü kapağının altındaki 1 numaralı akü bölmesine yerleştirin. Daha uzun süreli çalışma için şarj olmuş ikinci bir aküyü 2 numaralı akü bölmesine yerleştirin.

2. Güvenlik anahtarını 1 konumuna getirin.

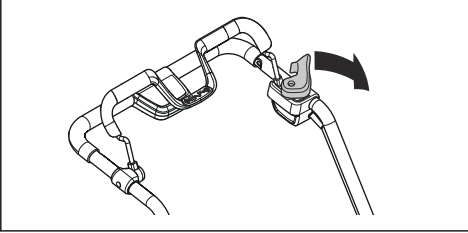


3. Ürünün arkasında durun.

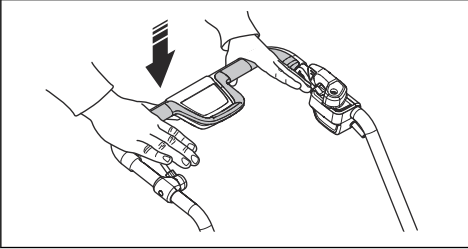
4. Kontrol panelindeki AÇMA/KAPAMA düğmesine (A) basın, yeşil LED (B) yanar.



5. Başlatma engelleyiciyi gevşetin.



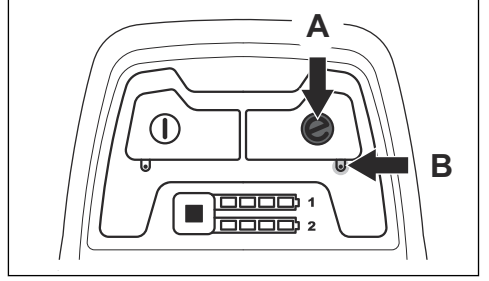
6. Motor freni kolunu gidonun yönünde itin.



## SavE işlevinin kullanılması

Üründe, daha uzun süre çalışma sağlayan bir akü tasarruf işlevi (SavE) bulunur.

1. İşlevi başlatmak için SavE düğmesine (A) basın. Yeşil LED yanar.



2. İşlevi durdurmak için SavE düğmesine tekrar basın. Yeşil LED (B) söner.

Zemin koşulları daha yüksek bir çıkış gerektirirse SavE işlevi otomatik olarak durur. Zemin koşulları uygun olduğunda SavE işlevi otomatik olarak çalışır.

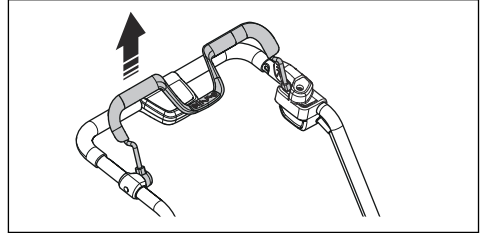
## Yüksek yük işlevi

Ürün uzun veya ıslak çimni keserken motor otomatik olarak devri yükseltir. Yüksek yük gerekmediğinde motor, standart moda geri döner.

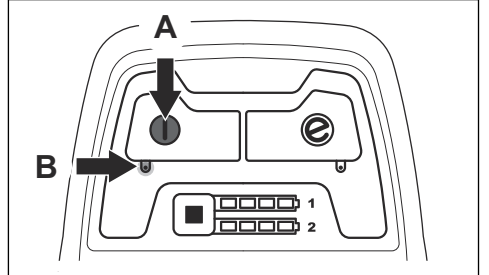
## Ürünü durdurma

10 dakika boyunca çalıştırmazsanız ürün otomatik olarak durur. Ürünü görüş alanınızın dışında bırakmadan önce güvenlik anahtarını her zaman 0 konumuna getirin.

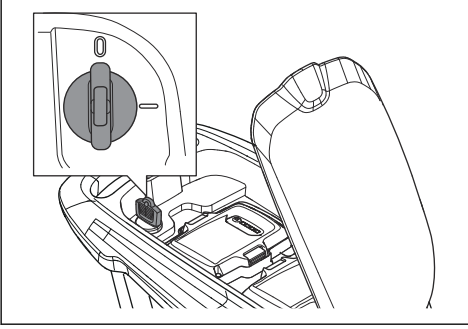
1. Motoru durdurmak için motor fren kolunu serbest bırakın.



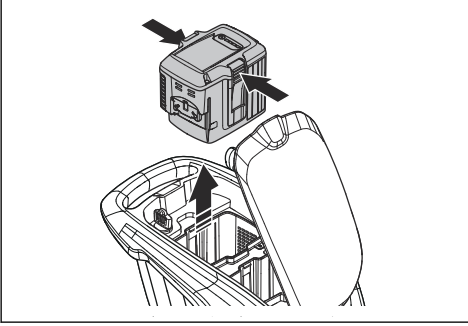
2. Kontrol panelindeki AÇMA/KAPAMA düğmesine (A) basın, yeşil LED (B) söner.



3. Akü kapağını açın ve güvenlik anahtarını 0 konumuna getirin.



4. Aküyü çıkarmak için iki serbest bırakma düğmesine basın ve aküyü çekip çıkarın.



5. Akünün gücü zayıfsa aküyü şarj edin. Daha fazla bilgi için bkz. *Aküyü şarj etme sayfa: 590.*

## İyi sonuç alma

- Her zaman keskin bıçak kullanın. Kör bıçak, düzensiz bir sonuç verir ve çimin kesme yüzeyi sarı olur. Ayrıca keskin bıçak kör bıçaktan daha az güç kullanır.
- Çim boyunun ¼'sinden fazlasını kesmeyin. Önce kesme yüksekliği yüksek ayardayken kesmeye başlayın. Sonucu inceleyin ve kesme yüksekliğini uygun seviyeye indirin. Çimler çok uzunsa makineyi yavaş kullanın ve gerekirse 2 kere kesin.
- Her seferinde farklı yönlerde keserek çimenlik alanda çizgi oluşmasını önleyin.
- Kesme kapağını temiz tutun. Kesme kapağının iç tarafında çim ve kir birikmesi kesme performansını zayıflatabilir. Bkz. *Ürünün temizlenmesi sayfa: 593.*

## Bakım

### Giriş



**UYARI:** Bakım yapmadan önce güvenlik bölümünü okuyup anlamaz gerekir.

Ürüne uygulanacak tüm servis ve onarım işlemleri için özel eğitim gereklidir. Profesyonel onarım ve servis hizmetlerinin mevcut bulunduğunu garanti etmekteyiz.

Yetkili satıcınız servis noktası değilse kendisiyle görüşüp en yakınınızdaki servis noktası hakkında bilgi edinin.

### Bakım takvimi

Bakım aralıkları, ürünün günlük kullanımına göre hesaplanır. Ürün her gün kullanılmazsa aralıklar değişir.

\* ile işaretli bakımlar için bkz. *Ürünün üzerindeki güvenlik aletleri sayfa: 584.*

	Her kullanımda	Aylık olarak	Her mevsimde
Genel inceleme yapma	X		
Ürünü temizleme	X		
Başlatma engelleyiciyi kontrol etme *	X		
Üründeki güvenlik araçlarının arızalı olmadığından emin olma *	X		
Kesme donanımını inceleme	X		
Kesme kapağını inceleme *	X		



	Her kulla- nımda	Aylık ola- rak	Her mev- simde
Motor fren kolunu kontrol etme *	X		
AÇMA/KAPAMA düğmesinin doğru şekilde çalıştığından ve hatalı olmadığından emin olma	X		
Aküde hasar kontrolü yapma	X		
Akü şarjını kontrol etme	X		
Aküdeki serbest bırakma düğmelerinin doğru şekilde çalıştığından ve akünün ürüne sabitlendiğinden emin olma	X		
Akü şarj cihazında hasar kontrolü yapma ve cihazın doğru şekilde çalıştığından emin olma.		X	
Akü ile ürün arasındaki bağlantıları kontrol etme. Akü ile akü şarj cihazı arasındaki bağlantıyı kontrol etme.			X

## Genel denetim yapma

- Ürünün üzerindeki somun ve vidaların sıkı olduğundan emin olun.
- Üründeki kabloların hasar görebilecekleri bir konumda olmadığından emin olun.

## Ürünün temizlenmesi

- Plastik parçaları temiz ve kuru bir bezle temizleyin.
- Ürünü temizlemek için su kullanmayın. Aküye veya motora su girebilir ve üründe kısa devreye veya hasara neden olabilir.
- Ürünü temizlemek için yüksek basınçlı yıkayıcı kullanmayın.
- Motora doğrudan su tutmayın.
- Yaprak, çim ve kirleri gidermek için fırça kullanın.

## Aküyü ve şarj cihazını temizlemek için



**UYARI:** Aküyü veya akü şarj cihazını suyla temizlemeyin.

- Aküyü akü şarj cihazına yerleştirmeden önce akünün ve akü şarj cihazının temiz ve kuru olduğundan emin olun.
- Akü terminallerini basınçlı hava ile temizleyin veya yumuşak ve kuru bir bez ile silin.
- Akü ve akü şarj cihazının yüzeylerini yumuşak ve kuru bir bezle temizleyin.

## Kesme donanımını kontrol etme



**UYARI:** Yanlışlıkla çalıştırmayı önlemek için güvenlik anahtarını 0 konumuna getirin, aküyü çıkarın ve en az 5 saniye bekleyin.



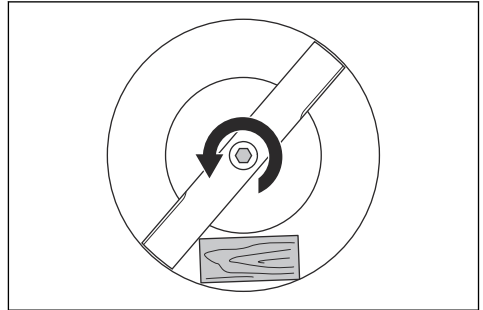
**UYARI:** Kesme donanımına bakım yaptığınızda koruyucu eldivenler kullanın. Bıçak çok keskindir ve kolaylıkla kesiklere yol açabilir.

1. Kesme donanımında hasar veya çatlak olup olmadığını inceleyin. Hasarlı bir kesme donanımını kesinlikle değiştirin.
2. Hasarlı veya kör olup olmadığını anlamak için bıçağa bakın.

**Not:** Bilendikten sonra bıçağı dengelemek gerekir. Bıçağın bir servis merkezinde bilenmesini, değiştirilmesini ve dengelenmesini sağlayın. Ürünün durmasına neden olan bir engele çarparsanız hasarlı bıçağı değiştirin. Bıçağın bilenip bilenmeyeceğini veya değiştirmek gerekip gerekmediğine servis merkezinin karar vermesini sağlayın.

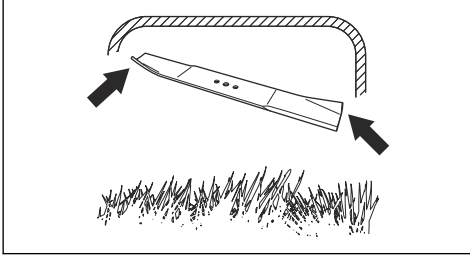
## Bıçağı değiştirme

1. Bıçağı ahşap bir blokla kilitleyin.



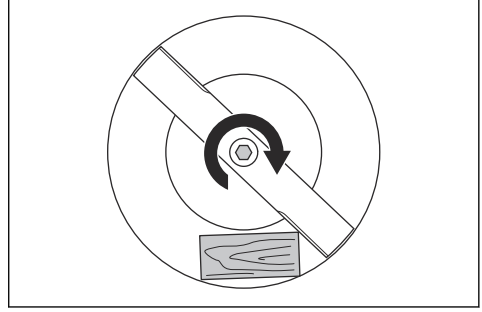
2. Bıçak civatasını sökün.
3. Bıçağı sökün.

4. Bıçak desteğinde ve bıçak civatasında hasar olup olmadığını kontrol edin.
5. Bükülmediğinden emin olmak için motor milini inceleyin.
6. Yeni bıçak taktığınızda bıçağın açılı uçlarını kesme kapağı yönüne çevirin.



7. Bıçağın, motor milinin orta kısmıyla hizalandığından emin olun.

8. Bıçağı ahsap bir blokla kilitleyin. Yaylı rondela takıp civatayı ve rondelayı 23–28 Nm'lik torkla sıkın.



9. Bıçağı elinizle çekerek döndürün ve serbestçe döndüğünden emin olun.



**UYARI:** Ağır hizmet tipi eldiven kullanın. Bıçak çok keskindir ve kolaylıkla kesiklere yol açabilir.

10. Bıçağı test etmek için ürünü çalıştırın. Bıçak doğru bir şekilde takılmadıysa üründe titreşim olur veya kesme işleminin sonucu başarısızdır.

## Sorun giderme

### Akü

Aküdeki LED	Neden	Çözüm
Yeşil LED yanıp sönüyor.	Akü voltajı düşüktür.	Aküyü şarj edin. Bkz. <i>Aküyü şarj etme sayfada: 590.</i>
Hata LED'i yanıp sönüyor.	Akünün gücü zayıftır.	Aküyü şarj edin. Bkz. <i>Aküyü şarj etme sayfada: 590.</i>
	Çalışma ortamındaki sıcaklık çok yüksek veya çok düşüktür.	Aküyü -10°C ile 40°C arasındaki sıcaklıklarda kullanın.
	Yüksek voltaj.	Şebeke voltajının, ürünün nominal değerler plakasındakiyle aynı olduğundan emin olun. Aküyü şarj cihazından çıkarın. 5 saniye bekleyin ve aküyü şarj etmeyi tekrar deneyin. Sorun devam ederse yetkili bir servis noktasıyla görüşün.
Hata LED'i yanyor.	Hücreler arasındaki fark çok büyük (1 V).	Onaylı bir servis noktasıyla görüşün.

## Akü şarj cihazı

Akü şarj cihazındaki LED	Neden	Çözüm
Hata LED'i yanıp sönmüyor.	Çalışma ortamındaki sıcaklık çok yüksek veya çok düşüktür.	Akü şarj cihazını 5°C ile 40°C arasındaki sıcaklıklarda kullanın.
Hata LED'i yanıyor.		Onaylı bir servis noktasıyla görüşün.

## Kontrol paneli

Bu bölümde yer alanların dışındaki sorunlar için servis noktanızla görüşün.

Tuş takımı	Hata kodu (Yanıp sönmeye sayısı)	Olası arızalar	Olası işlem
Hata LED'i yanıp sönmüyor	3	Motor aşırı yükliüdür	Kesme yüksekliğini artırın. Bkz. <i>Kesme yüksekliğini ayarlama sayfa: 589.</i>
	5	Motor devri çok düşüyor ve motor duruyor	
	10	Motor denetleyicisi çok sıcak	Motoru durdurun ve soğuyana kadar bekleyin
	2	Bıçak engelleniyor	Yanlışlıkla çalıştırmayı önlemek için güvenlik anahtarını 0 konumuna getirin, aküyü çıkarın ve en az 5 saniye bekleyin. Bıçağın rahat dönebildiğinden emin olun. Sorun devam ederse yetkili bir servis noktasıyla görüşün
	9	Akü hatası oluştu veya akü sinyali yok	Aküyu ürüne doğru şekilde yerleştirin ve akü konektörünü kontrol edin. Aküdeki hata LED'i yanıp sönerse bkz. <i>Akü sayfa: 589.</i>
Ürün duruyor	8	Akünün gücü zayıftır	Aküyu şarj edin. Bkz. <i>Aküyu şarj etme sayfa: 590.</i>
	0	Akü konektörü arızası	Akü konektörünü kontrol edin

## Taşıma, depolama ve atma

### Giriş



**UYARI:** Taşıma sırasında yanlışlıkla çalıştırmayı önlemek için güvenlik anahtarını "0" konumuna getirin, aküyü çıkarın ve en az 5 saniye bekleyin.

### Taşıma

- Ürün içindeki Lityum iyon aküler Tehlikeli Maddeler Kanunu gerekliliklerine tabidir.
- Ticari amaçlı taşımalarda, paketteki ve etiketlerdeki özel gerekliliklere uyulmalıdır.

- Ürünü taşıma için hazırlarken tehlikeli malzeme yönetmeliklerine uduğunuzdan emin olun. Yerel yönetmelikler uygulanabilir.
- Ürünü taşırken aküyü kesinlikle çıkarın.
- Akü konektörlerine bant yapıştırın ve taşıma sırasında akünün hareket edemeyeceğinden emin olun.
- Taşıma sırasında ürünü bağlayın.

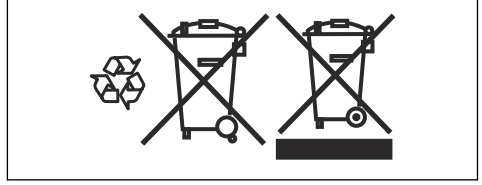
### Saklama

- Ürünü depolarken aküyü kesinlikle çıkarın.
- Kazaları önlemek için depolama sırasında akünün ürüne bağlı olmadığından emin olun.

- Akü şarj cihazını kapalı ve kuru bir alanda tutun.
- Aküyü ve akü şarj cihazını, nem veya don olmayan kuru bir alanda tutun.
- Depolama sırasında aküyü şarj cihazından ayırın.
- Aküyü, statik elektrik oluşabilecek yerlerde tutmayın. Aküyü metal bir kutuda tutmayın.
- Aküyü, sıcaklığın 5°C ile 25°C arasında olduğu ve güneş ışığı almayan yerlerde tutun.
- Akü şarj cihazını, sıcaklığın 5°C ile 45°C arasında olduğu ve güneş ışığı almayan yerlerde tutun.
- Uzun süreli depolamadan önce akünün %30 - %50 dolu olduğundan emin olun.
- Ürünü, aküyü ve akü şarj cihazını, çocukların ve onaylı olmayan kişilerin erişemeyeceği kilitli bir alanda tutun.
- Uzun süreli depolamadan önce ürünü temizleyin ve ürüne eksiksiz bir bakım yaptırın.

belirir. Elektrikli ve elektronik ekipman, kurtarma için uygun bir geri dönüşüm istasyonuna gönderilmelidir.

Bu ürüne doğru önemin verilmesini sağlayarak, çevreye ve insanlara olabilecek potansiyel negatif etkisini önlemeye yardımcı olabilirsiniz, aksi takdirde bu ürünün yanlış atık yönetimi durumunda negatif etkiler meydana gelebilir. Bu ürünün geri dönüşümü hakkında daha ayrıntılı bilgi için belediyenize, mahallenizdeki atık hizmetine veya ürünü satın aldığınız mağazaya danışın.



## Atma

Ürün veya ürün ambalajı üzerinde bulunan semboller, bu ürünün evsel atık olarak değerlendirilemeyeceğini

## Teknik veriler

	LB 146i
<b>Kesme motoru</b>	
Motor tipi	BLDC (fırçasız) 36V
Motor devri – SavE, dev/dak.	2600
Motor devri – Nominal, dev/dak.	3000
Motor devri – Yüksek yük, dev/dak.	3500
Motor çıkışı – maks. kW	1,05
Motor çıkışı – Nominal, kW	0,9
Aşırı akım sınırı (Akım sınırı: 900W-27A)	27 (+/-) 1A
<b>Ağırlık</b>	
Aküsüz ağırlık, kg	16,9
<b>Akü<sup>105</sup></b>	
Akü tipi	Husqvarna Akü Serisi
<b>Akü çalışma süresi</b>	
Bir adet Husqvarna 5,2 Ah akü (BLi200) ile birlikte SavE etkin durumdayken dakika cinsinden akü çalışma süresi (serbest çalışma).	77
Bir adet Husqvarna 5,2 Ah akü (BLi200) ile birlikte standart mod etkin durumdayken dakika cinsinden akü çalışma süresi (serbest çalışma).	45

<sup>105</sup> En iyi sonuçları ve performansı elde etmek için Husqvarna BLi200 akünün kullanılması önerilir.

	<b>LB 146i</b>
<b>Gürültü yayma</b> <sup>106</sup>	
Ses gücü düzeyi, ölçülmüş dB (A)	90
Ses gücü düzeyi, garantili L <sub>WA</sub> dB (A)	91
<b>Ses düzeyleri</b> <sup>107</sup>	
Operatörün kulağındaki ses basıncı düzeyi, dB (A)	79
<b>Titreşim düzeyleri</b> <sup>108</sup>	
Tutma yeri, m/sn <sup>2</sup>	0,9
<b>Kesme donanımı</b>	
Kesme yüksekliği, mm	35-70 mm
Kesme genişliği, cm	46
Bıçak	BioClip
Ürün numarası	5947022-10

Onaylı aküler	Tip	Akü kapasitesi, Ah	Voltaj, V	Ağırlık, lb/kg
BLi20	Lityum iyon	4,0	36	2,6/1,2
BLi200	Lityum iyon	5,2	36	2,8/1,3
BLi300	Lityum iyon	9,4	36	4,2/1,9

Belirtilen aküler için onaylı şarj cihazları, BLI	Giriş voltajı, V	Frekans, Hz	Güç, W
QC80	100-240	50-60	100
QC80F	10-15	Yok	95
QC330	100-240	50-60	330
QC500	100-240	50-60	500
40-C80	100-240	50-60	68,8

<sup>106</sup> 2000/14/AT sayılı AT direktifi uyarınca ses gücü (L<sub>WA</sub>) olarak çevrede ölçülen gürültü yayma seviyesi.

<sup>107</sup> Ses basıncı düzeyi için bildirilen verilerdeki tipik istatistik dağılımı (standart sapma) 1,2 dB(A) şeklindedir.

<sup>108</sup> Titreşim düzeyi için bildirilen verilerin tipik istatistik dağılımı (standart sapması) 0,2 m/sn<sup>2</sup> şeklindedir. Titreşim standardı EN 60335-2-77:2017 bölüm 20.105

---

# AT Uyumluluk Bildirimi

---

## AT Uyumluluk Bildirimi

**Husqvarna AB**, SE-561 82 Huskvarna, İsveç, tel.:  
+46-36-146500, 2021 ve sonrası seri numaralı

**Husqvarna LB 146i** model çim biçme makinelerinin  
KONSEY DİREKTİFİ gereksinimleriyle uyumlu olduğunu  
beyan eder:

- 8 Haziran 2011 tarihli ve **2011/65/AB** sayılı "belirli tehlikeli maddelerin kısıtlanmasına" ilişkin direktif
- 17 Mayıs 2006 tarihli ve **2006/42/AT** sayılı "makinelere ilgili" direktif
- 26 Şubat 2014 tarihli ve **2014/30/AB** sayılı "elektromanyetik uyumlulukla ilgili" direktif
- 8 Mayıs 2000 tarihli ve **2000/14/AT** sayılı "çevredeki gürültü emisyonları ile ilgili" direktif

Gürültü emisyonlarıyla ilgili bilgi için Teknik veriler bölümüne bakın.

Aşağıdaki standartlar uygulanmıştır:

**EN 60335-1:2012+A11:2014+A13:2017, EN 60335-2-77:2010, EN 62233:2008, EN 55014-1:2017+A11:2020, EN 55014-2:2015, EN IEC 63000:2018**

Başka şekilde belirtilmemişse yukarıda listelenen standartlar en son yayınlanan sürümlerdir.

Onaylanmış kuruluş: **0404, RISE SMP Svensk Maskinprovning AB, Box 7035, SE-750 07 Uppsala**  
2000/14/AT direktifindeki Ek VI'ya göre uyumluluk değerlendirmesi gerçekleştirmiştir.

Huskvarna, 2021-10-30



Claes Losdal, Geliştirme Müdürü/Bahçe Ürünleri  
(Husqvarna AB yetkili temsilcisi ve teknik dokümantasyon sorumlusu)

Türk ithalat şirketi daha fazla bilgi için temas edilecek:  
Çullas Orman Bahçe ve Tarım Mak. San. Tic. A.Ş.  
Suadiye Mh. Bağdat Cd. No:455/4  
Kadıköy – 34740 İstanbul / Türkiye  
Telefon: +90 216 519 88 82  
Faks: +90 216 519 88 78  
info@cullas.com.tr



## Зміст

Вступ.....	599	Усунення несправностей.....	618
Безпека.....	602	Транспортування, зберігання й утилізація.....	619
Збирання.....	611	Технічні характеристики.....	620
Експлуатація.....	612	Декларація відповідності ЄС.....	622
ТЕХНІЧНЕ ОБСЛУГОВУВАННЯ.....	615		

## Вступ

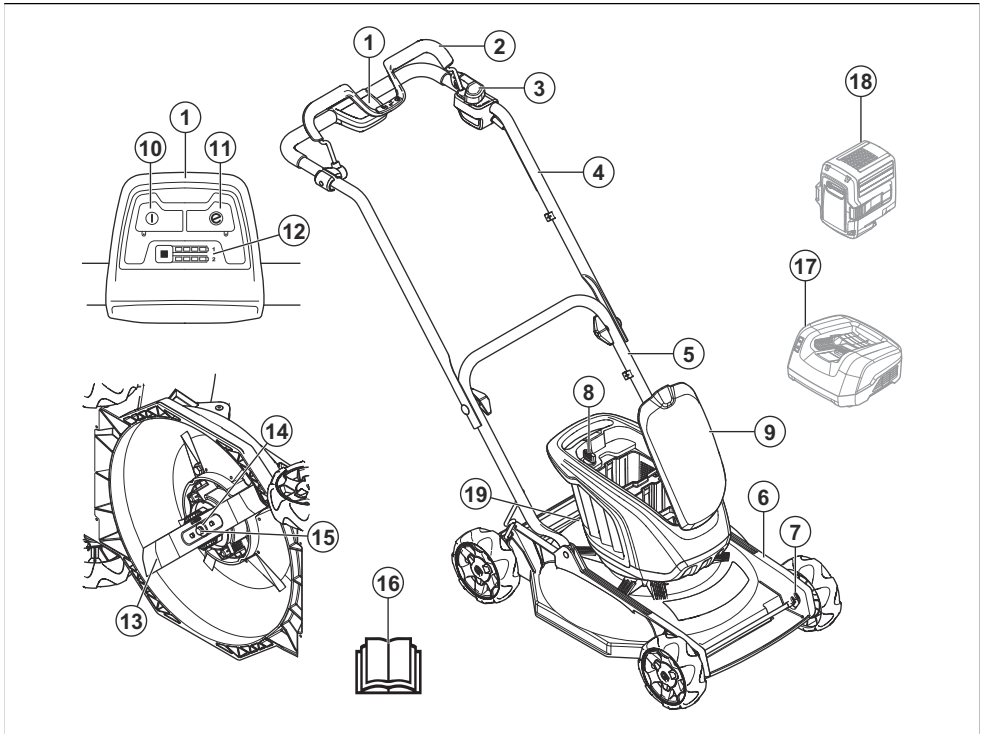
### Опис виробу

Виріб являє собою обертальну газонокосарку для піших операторів із системою BioClip для перетворення трави на добриво.

### Призначення

Користуйтеся виробом для зрізання трави. Забороняється використовувати виріб для інших завдань.

### Огляд виробу



1. Панель керування
2. Ручка зупинення двигуна
3. Обмежувач запуску
4. Верхня ручка
5. Нижня ручка
6. Кожух леза
7. Регулятор висоти різання
8. Ключ безпеки
9. Кришка акумуляторного відсіку
10. Кнопка «УВІМК./ВИМКН.»
11. Кнопка Save
12. Індикатор стану заряду акумулятора та кнопка акумулятора
13. Лезо

14. Пружинна шайба
15. Болт диска
16. Посібник користувача
17. Зарядний пристрій (додатковий аксесуар)
18. Акумулятор (додатковий аксесуар)
19. Табличка паспортних даних із QR-кодом

## Символи на виробі



Увага! Неуважне чи неправильне використання може призвести до травм або смерті оператора чи інших осіб.



Перед користуванням виробом уважно прочитайте посібник користувача й переконайтеся, що ви зрозуміли всі вказівки.



Сторонні особи та тварини повинні перебувати на безпечній відстані від робочої зони.



Остерігайтеся рикошету й об'єктів, які можуть вилітати з-під виробу.



Увага! Тримайте руки й ноги на безпечній відстані від леза, що обертається.



Увага! Тримайте руки та ноги на відстані від

деталей, що обертаються.



Перед виконанням робіт із ремонту чи технічного обслуговування завжди виймайте ключ безпеки.



Берегти від дощу



Цей виріб і його пакування не можна утилізувати разом із побутовими відходами. Утилізацію необхідно проводити на підприємстві з переробки відходів електричного й електронного обладнання.



Виріб відповідає вимогам застосованих директив ЄС.



Виріб відповідає вимогам застосованих директив Митного союзу ЄАЕС.



Виріб відповідає вимогам відповідних директив УкрСЕПРО.



Виріб відповідає вимогам застосованих директив RCM.



Застосовується тільки для Австралії / Нової Зеландії



Рівень випромінювання шуму в середовище відповідає директиві Європейської Спільноти. Рівень випромінювання шуму виробу вказано в розділі «Технічні дані» і на паспортній таблиці.

**IPX1** IPX1 – захист від крапель, що падають вертикально



Порядок запуску: натисніть кнопку «УВИМК./ВИМК.», відпустіть обмежувач запуску й натисніть на ручку зупинення двигуна.



Щоб зупинити двигун, відпустіть ручку зупинення двигуна.

**Зверніть увагу:** Інші позначення на виробі відповідають вимогам сертифікації для певних ринків.

Маркування на виробі



НЕБЕЗПЕКА. Тримайте руки й ноги на безпечній відстані.

**Відповідальність за якість продукції**

Згідно із законом про відповідальність за якість продукції ми не несемо відповідальності за будь-які пошкодження, спричинені роботою наших виробів, якщо:

- виріб було неправильно відремонтовано;
- виріб було відремонтовано із використанням деталей, виготовлених не виробником або не затверджених ним;
- виріб обладнано аксесуаром, виготовленим не виробником або не затвердженим ним;
- виріб було відремонтовано в неавторизованому сервісному центрі або неавторизованою компанією;

### Визначення щодо безпеки

Попередження, застереження й примітки служать для наголошення на особливо важливих положеннях посібника.



#### **ПОПЕРЕДЖЕННЯ:**

Вказує на те, що в разі порушення інструкцій, наведених у цьому посібнику, існує небезпека поранення або смерті оператора чи інших осіб, що знаходяться поруч.



**УВАГА:** Вказує на те, що в разі порушення інструкцій, наведених у цьому посібнику, існує небезпека пошкодження виробу, інших матеріалів або навколишніх об'єктів.

### **Зверніть увагу:**

Використовується для надання додаткової інформації щодо певної ситуації.

### Загальні правила техніки безпеки



#### **ПОПЕРЕДЖЕННЯ:**

Перш ніж розпочати використання виробу, уважно прочитайте наведені нижче попередження.

- Цей виріб може бути небезпечним у разі неправильного або недбалого використання. Порушення правил техніки безпеки може призвести до травм або смерті.
- Під час роботи цього виробу утворюється електромагнітне поле. Це поле може за деяких умов взаємодіяти з активними чи пасивними медичними імплантатами. Щоб зменшити ризик тяжких або смертельних травм, рекомендуємо особам із медичними імплантатами проконсультуватися зі своїм лікарем і виробником медичного імплантату перед початком експлуатації цього виробу.

- Завжди будьте обережні та керуйтеся здоровим глуздом. Якщо ви маєте сумніви щодо того, як користуватися виробом у конкретній ситуації, припиніть роботу та проконсультуйтеся з дилером Husqvarna.
- Пам'ятайте, що оператор несе відповідальність за нещасні випадки, в результаті яких постраждали інші особи або їхнє майно.
- Підтримуйте виріб чистим. Переконайтеся, що знаки та наклейки знаходяться в читабельному стані.
- У жодному разі не дозволяйте користуватися приладом дітям або людям, які не ознайомилися з цим посібником. Вік оператора може обмежуватися місцевими нормами
- Завжди наглядайте за особами з обмеженими фізичними чи розумовими можливостями, що використовують виріб. Біля виробу, що працює, повинна завжди знаходитися відповідальна доросла особа.
- Забороняється використовувати виріб, якщо

ви втомлені, хворі, чи перебуваєте під впливом наркотиків, алкоголю або медикаментів. Ці фактори мають негативний вплив на ваш зір, зосередженість, свідомість та координацію рухів.

- Забороняється використовувати виріб у разі його несправності.
- Забороняється зміни в конструкцію виробу чи використовувати виріб, якщо є підозра, що його було змінено сторонніми особами.

## Безпека в робочій зоні



### ПОПЕРЕДЖЕННЯ:

Перш ніж розпочати використання виробу, уважно прочитайте наведені нижче попередження.

- Перед використанням виробу приберіть з робочої зони всі гілки, лозу та каміння.
- Предмети, що потраплять на різальне обладнання, можуть відлетіти та поранити сторонніх осіб або пошкодити інші предмети. Сторонні особи та тварини повинні знаходитися на

безпечній відстані від виробу.

- Забороняється використовувати виріб за поганої погоди на кшталт туману, дощу, сильного вітру, значного холоду або грози. Робота в погану погоду або на вологих ділянках виснажує. Погана погода може стати причиною небезпечних умов роботи, таких як слизькі поверхні.
- Бережіться осіб, предметів та ситуацій, які можуть зашкодити безпечній роботі виробу.
- Бережіться перешкод на кшталт коріння, каміння, гілок, ям або канав. Висока трава може приховувати перешкоди.
- Скошування трави на схилах може бути небезпечним. Не косіть занадто круті схили. Не використовуйте виріб на ділянках із нахилом понад 15°
- Будьте вкрай обережні, розвертаючись на схилах. Використовуйте виріб на схилах у горизонтальному напрямку. Не рухайтесь вверх і вниз.
- Будьте обережні, наближаючись до

прихованих кутів та предметів, які можуть закривати поле зору.

## Техніка безпеки

---



### ПОПЕРЕДЖЕННЯ:

Перш ніж розпочати використання виробу, уважно прочитайте наведені нижче попередження.

---

- Використовуйте виріб лише для скошування трав'яних газонів. Заборонено використовувати виріб для інших цілей.
- Використовуйте засоби індивідуального захисту. Див. *Засоби індивідуального захисту на сторінці 606*.
- Дізнайтеся, як швидко зупинити двигун в екстреній ситуації.
- Не використовуйте виріб під дощем або в умовах підвищеної вологості. Потрапляння води у виріб збільшує загрозу ураження електричним струмом.
- Забороняється використовувати виріб без правильно встановленого леза та всіх кожухів. Неправильно встановлене

- лезо може від'єднатися й призвести до травм.
- Слідкуйте, щоб лезо не зачіпляло сторонні предмети на кшталт каміння та коріння. Це може призвести до пошкодження леза та згинання вала двигуна. Зігнута вісь викликає значні вібрації та призводить до ризику від'єднання леза від виробу.
  - У разі удару леза об будь-який сторонній предмет чи появи вібрації негайно зупиніть виріб. Зупиніть двигун, переведіть запобіжник у положення «0» і вийміть акумулятор. Перевіряйте виріб на наявність пошкоджень. Виправляйте пошкодження або здавайте виріб на ремонт в авторизований центр обслуговування.
  - Забороняється закріплювати ручку зупинення двигуна на рукоятці, коли працює двигун.
  - Поставте виріб на тверду рівну поверхню та увімкніть його. При цьому лезо не повинно торкатися землі або інших предметів.
  - Під час роботи з виробом завжди залишайтеся позаду нього.
  - Під час роботи з виробом усі колеса мають залишатися на землі, а обидві руки треба тримати на ручці. Тримайте руки та ноги на відстані від лез, що обертаються.
  - Не нахиляйте виріб, коли двигун увімкнений.
  - Будьте обережні під час руху у зворотному напрямку.
  - Забороняється піднімати виріб, коли двигун увімкнений. Якщо треба підняти виріб, спочатку зупиніть двигун, переведіть запобіжник у положення «0» і вийміть акумулятор.
  - Не рухайтесь у зворотному напрямку під час роботи з виробом.
  - Вимикайте двигун під час руху через ділянки без трави на кшталт доріжок із гравію, каменю або асфальту.
  - Не бігайте з виробом, коли двигун увімкнений. Під час роботи з виробом необхідно ходити зі звичайною швидкістю.
  - Вимикайте двигун, перш ніж змінювати висоту різання. Забороняється виконувати

регулювання при ввімкненому двигуні.

- Забороняється залишати виріб без нагляду коли двигун працює. Зупиніть двигун та переконайтеся, що ріжуче обладнання не обертається.

### Правила техніки безпеки під час використання

### Засоби індивідуального захисту



**ПОПЕРЕДЖЕННЯ:** Перш ніж розпочати використання виробу, уважно прочитайте наведені нижче попередження.

- Особисте захисне спорядження не може повністю усунути небезпеку травмування, але при нещасному випадку воно знизить ступінь важкості травми. Дозвольте дилеру допомогти вам із вибором підходящого обладнання.
- Використовуйте взуття із захистом від ковзання для роботи у важких умовах. Забороняється використовувати відкрите взуття або працювати взагалі без нього.

- Використовуйте цупкі довгі штани.
- За потреби використовуйте рукавички, наприклад, якщо необхідно приєднати, оглянути або почистити різальне обладнання.

### Механізми безпеки на пристрої



**ПОПЕРЕДЖЕННЯ:** Перш ніж розпочати використання виробу, уважно прочитайте наведені нижче попередження.

- Не використовуйте виріб із пошкодженими захисними пристроями.
- Регулярно перевіряйте захисні пристрої. У випадку пошкодження захисних пристроїв зверніться до центру обслуговування Husqvarna.

### Перевірка кожуха леза

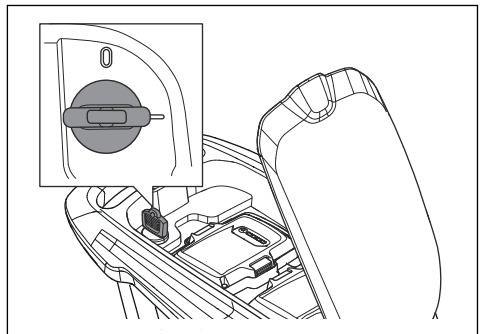
Кожух леза частково поглинає вібрацію виробу та знижує небезпеку травмування лезом.

- Огляньте кожух леза та переконайтеся, що він не має пошкоджень на кшталт тріщин.

### Ключ безпеки

Ключ безпеки знаходиться під кришкою акумуляторного відсіку. Ключ безпеки під'єднує акумулятор, який у свою чергу живить двигун.

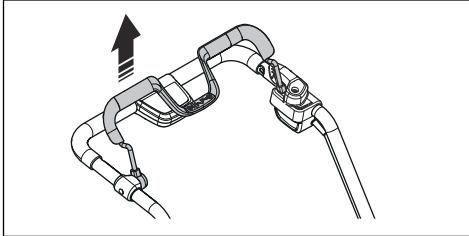
- Для перевірки ключа безпеки запустіть і зупиніть двигун.
- Якщо ключ безпеки справний, двигун заводиться, лише якщо повернути ключ у положення «1».



## Ручка зупинення двигуна

Ручка зупинення двигуна зупиняє двигун. За відпускання ручки зупинення двигуна він зупиняється.

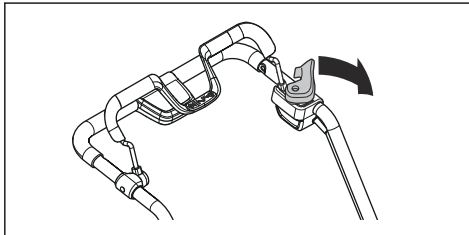
Щоб перевірити роботу гальма двигуна, запустіть двигун, а потім відпустіть ручку зупинення. Якщо двигун не зупиняється протягом 3 секунд, необхідно передати виріб в авторизований центр обслуговування Husqvarna для налаштування гальма двигуна.



## Перевірка обмежувача запуску

Перевірте обмежувач запуску, щоб переконатися, що він дійсно блокує роботу двигуна.

1. Перемістіть ручку зупинення двигуна в напрямку рукоятки. Обмежувач запуску блокує рух.
2. Потягніть обмежувач запуску.



3. Відпустіть обмежувач запуску та переконайтеся, що він повертається до початкового положення.

## Заходи безпеки під час роботи з акумуляторами



### ПОПЕРЕДЖЕННЯ:

Перш ніж розпочати використання виробу, уважно прочитайте наведені нижче попередження.

- Для живлення виробів Husqvarna необхідно використовувати лише акумулятори Husqvarna. Щоб уникнути травмування, забороняється використовувати акумулятор в якості джерела живлення для інших приладів.
- Не використовуйте одноразові батареї.
- Небезпека ураження електричним струмом. Забороняється під'єднувати клеми акумулятора до ключів, монет, гвинтів або інших металевих предметів. Це може призвести до короткого замикання в акумуляторі.
- Забороняється вставляти предмети у вентиляційні отвори акумулятора.
- Тримайте акумулятор подалі від прямих сонячних променів, джерел тепла та відкритого вогню. Акумулятор може вибухнути, що призведе до опіків та / або хімічних опіків.
- Бережіть акумулятор від дощу та вологи.
- Захищайте акумулятор від впливу мікрохвиль чи високого тиску.

- Забороняється розбирати чи ламати акумулятор.
- У разі витікання рідини з акумулятора слідкуйте, щоб вона не потрапила на тіло чи в очі. Якщо рідина потрапила на шкіру, промийте вражену ділянку великою кількістю води та зверніться за медичною допомогою.
- Акумулятор дозволяється використовувати за температури від  $-10\text{ }^{\circ}\text{C}$  до  $+40\text{ }^{\circ}\text{C}$ .
- Заборонено мити батарею чи зарядний пристрій водою. Див. *Чищення акумулятора та зарядного пристрою на сторінці 616.*
- Не використовуйте несправний чи пошкоджений акумулятор.
- Зберігайте акумулятор подалі від металевих предметів на кшталт цвяхів, монет, ювелірних виробів.
- Для заряджання замінних акумуляторів Husqvarna необхідно використовувати лише зарядні пристрої QC.
- Ризик короткого замикання й ураження електричним струмом. Забороняється вставляти предмети у вентиляційні отвори зарядного пристрою. Заборонено розбирати зарядний пристрій. Не торкайтеся металевих предметів контактами зарядного пристрою. Використовуйте сертифіковані електричні розетки.
- Під час роботи цього виробу утворюється електромагнітне поле. Це поле може за деяких умов взаємодіяти з активними чи пасивними медичними імплантатами. Щоб зменшити ризик тяжких або смертельних травм, рекомендуємо особам із медичними імплантатами проконсультуватися зі своїм лікарем і виробником медичного імплантату перед початком експлуатації цього виробу.
- Регулярно перевіряйте шнур живлення зарядного

## Заходи безпеки при роботі із зарядним пристроєм



### ПОПЕРЕДЖЕННЯ:

Перш ніж розпочати використання виробу, уважно прочитайте наведені нижче попередження.



пристрою на предмет пошкоджень та тріщин.

- Забороняється підіймати зарядний пристрій, тримаючи його за шнур живлення. Щоб від'єднати зарядний пристрій від настінної розетки, витягніть штепсельну вилку. У жодному разі не тягніть за шнур живлення.
- Тримайте шнур живлення та подовжувачі на безпечній відстані від води, мастил і гострих предметів. Переконайтеся, що кабель не здавлено дверима, огорожею або іншими предметами. У такому випадку зарядний пристрій може опинитися під напругою.
- Заборонено мити зарядний пристрій водою.
- Діти віком від 8 років та особи з обмеженими фізичними, сенсорними або психічними можливостями або особи, які не мають досвіду та знань, можуть використовувати зарядний пристрій лише під наглядом або після належного інструктажу щодо безпечного його використання, за умови розуміння ними пов'язаних із

таким використанням ризиків. Дітям забороняється грати із зарядним пристроєм. Дітям забороняється чистити зарядний пристрій і здійснювати його технічне обслуговування без нагляду.

- Не намагайтеся заряджати одноразові батареї за допомогою зарядного пристрою.
- Забороняється використовувати зарядний пристрій поблизу легкозаймистих або корозійних матеріалів. Заборонено накривати зарядний пристрій. При появі диму чи вогню витягніть штепсель зарядного пристрою з розетки.
- Не використовуйте зарядний пристрій з ознаками пошкодження.
- Заряджати акумулятор слід тільки в добре провітрюваних приміщеннях та подалі від сонячного світла. Не заряджайте акумулятор у вологому середовищі.

## Правила техніки безпеки під час обслуговування

---



### ПОПЕРЕДЖЕННЯ:

Перш ніж розпочати використання виробу, уважно прочитайте наведені нижче попередження.

---

- Для запобігання ненавмисному запуску двигуна під час обслуговування переведіть ключ безпеки в положення «0» та вийміть акумулятор. Перед початком обслуговування зачекайте щонайменше 5 секунд.
- Виконуйте технічне обслуговування правильно, адже це допоможе збільшити термін експлуатації виробу та зменшить небезпеку виникнення нещасних випадків. Доручайте професійний ремонт уповноваженому центру обслуговування. Більш детальну інформацію можна дізнатися в найближчому центрі обслуговування.
- Виконуйте лише те технічне обслуговування, що наведене в цьому посібнику користувача. Більш серйозні роботи повинні виконуватися працівниками сертифікованих центрів обслуговування.
- Під час роботи з різальним обладнанням завжди надягайте міцні рукавиці. Лезо дуже гостре, ним можна легко порізатися.
- Для найкращої продуктивності та безпеки слід підтримувати різальні кромки гострими та чистими.
- Регулярно віддавайте виріб у центр обслуговування, де його будуть перевіряти, робити необхідні налаштування або ремонт.
- Замінійте пошкоджені, зношені або зламані деталі.
- Дотримуйтеся інструкцій щодо заміни аксесуарів. Користуйтеся аксесуарами лише від виробника обладнання.
- Коли виріб не використовується, зберігайте його окремо від акумулятора та зарядного пристрою в сухому закритому приміщенні. Переконайтеся, що діти та особи без належної підготовки не зможуть отримати доступ до виробу,

акумулятора чи зарядного пристрою.

## Збирання

### Вступ



**ПОПЕРЕДЖЕННЯ:** Перед монтажем виробу необхідно прочитати розділ про заходи безпеки.



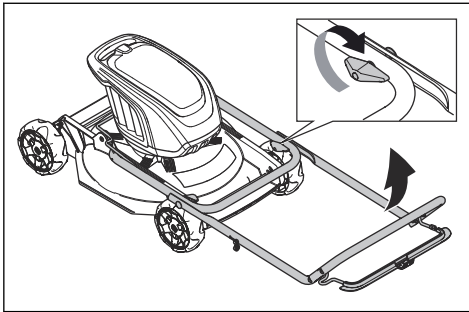
**ПОПЕРЕДЖЕННЯ:** Щоб запобігти випадковому ввімкненню виробу під час збирання, поверніть ключ безпеки в положення «0», вийміть акумуляторну батарею та почекайте принаймні 5 секунд.

### Монтаж ручки

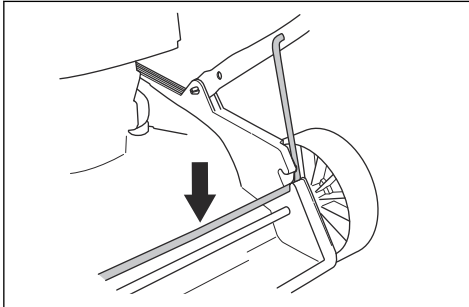


**УВАГА:** Не перекручуйте кабелі.

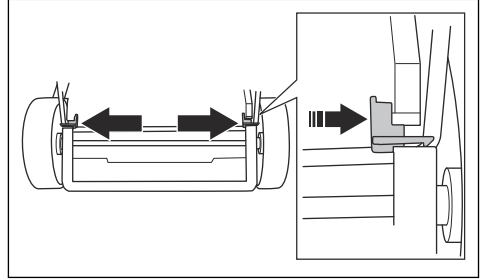
1. Розташуйте отвори на верхній частині ручки навпроти отворів на її нижній частині.
2. Закрутіть фіксуючі голівки з правої та лівої сторін, після чого складіть рукоятку догори.



3. Встановіть опору в паз на кожусі леза.



4. Встановіть 2 стопори, що фіксують опору та ручку. Вставте їх до упору.



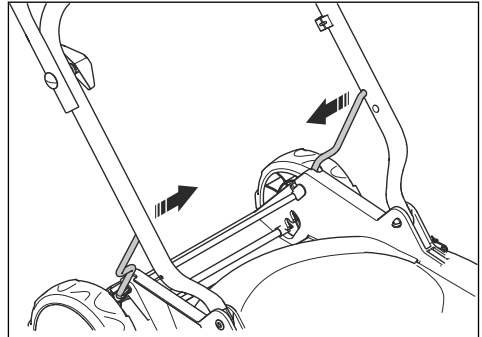
**Зверніть увагу:** На одному стопорі є літера Н, а на іншому – літера V. Установіть стопор із літерою Н праворуч, а стопор із літерою V – ліворуч.



**УВАГА:** Заборонено використовувати виріб без обох установлених стопорів.

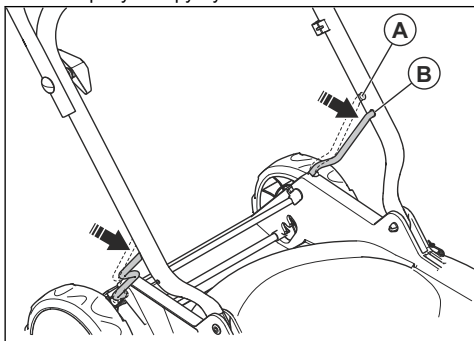
### Налаштування висоти ручки

1. Зніміть опору з нижньої ручки.



- а) Установіть опору у верхній паз (А), щоб зафіксувати ручку на меншій висоті.

- б) Установіть опору в нижній паз (В), щоб зафіксувати ручку на більшій висоті.



## Експлуатація

### Вступ



**ПОПЕРЕДЖЕННЯ:** Перед експлуатацією виробу обов'язково прочитайте й усвідомте зміст розділу про заходи безпеки.

### Husqvarna Connect

Husqvarna Connect є безкоштовною програмою для мобільного пристрою. У програмі Husqvarna Connect доступна ціла низка розширених функцій для користування Husqvarna:

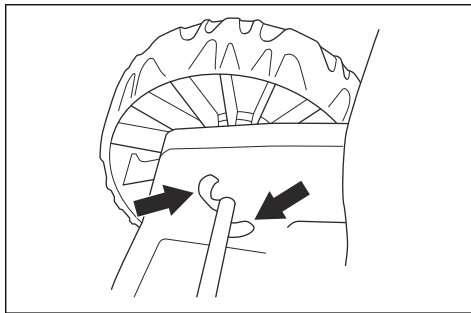
- розширена інформація про виріб;
- відомості про деталі й обслуговування виробу, а також довідкова інформація.

### Щоб почати користуватися Husqvarna Connect

1. Завантажте програму Husqvarna Connect на свій мобільний пристрій.
2. Зареєструйтеся в програмі Husqvarna Connect.
3. Виконайте кроки з реєстрації в програмі Husqvarna Connect, щоб під'єднати та зареєструвати виріб.

### Налаштування висоти різання

- Витягніть вал та встановіть його в правильне положення для кожного з 4 коліс.



**УВАГА:** Не встановлюйте занадто низьку висоту різання. Леза можуть зачепити землю, якщо поверхня газону буде нерівною.

### Акумулятор

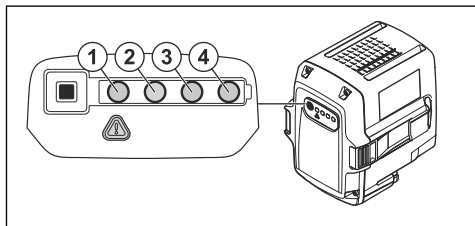


**ПОПЕРЕДЖЕННЯ:** Перед використанням акумулятора обов'язково прочитайте й усвідомте зміст розділу про заходи безпеки. Також необхідно прочитати й усвідомити зміст посібника користувача для акумулятора та зарядного пристрою.

### Стан акумулятора

На дисплеї відображаються поточний стан заряду акумулятора та можливі проблеми під час його роботи. Поточний стан заряду акумулятора відображається протягом 5 секунд після вимкнення

виробу або натискання індикаторної кнопки акумулятора. У разі виникнення будь-якої помилки на дисплеї акумулятора з'являється попереджувальний символ. Див. *Акумулятор на сторінці 618.*



Світлодіодні індикатори	Стан акумулятора
Горять усі світлодіодні індикатори	Акумулятор заряджений повністю (75-100 %)
Горять світлодіодні індикатори 1, 2 та 3	Акумулятор заряджений на 50-75 %.
Горять світлодіодні індикатори 1 та 2	Акумулятор заряджений на 25-50 %.
Горить світлодіодний індикатор 1	Акумулятор заряджений на 0-25 %
Блимає світлодіодний індикатор 1	Акумулятор розряджений. Зарядіть акумулятор

## Зарядка акумулятора

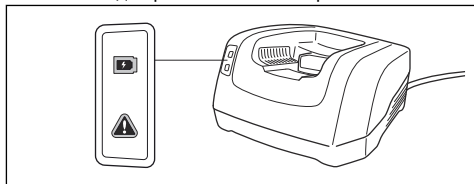
Перед першим використанням акумулятор слід зарядити. Акумулятор постачається зарядженим лише на 30 % ємності.

**Зверніть увагу:** Зарядний пристрій слід під'єднувати лише до джерел електроживлення з напругою та частотою, вказаними на таблиці з паспортними даними.

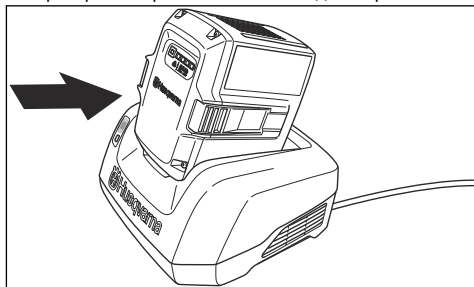
Акумулятор не заряджається, якщо його температура перевищує 50°C. Перед початком заряджання зарядний пристрій зменшує температуру акумулятора.

1. Під'єднайте один кінець шнура живлення зарядного пристрою до його роз'єму.

2. Під'єднайте інший кінець шнура живлення зарядного пристрою до електричної розетки із заземленням. Світлодіод зарядного пристрою блимне один раз зеленим кольором.



3. Встановіть акумулятор у зарядний пристрій. Якщо акумулятор підключено правильно, на зарядному пристрої загоряється зелений індикатор.



4. Якщо загоряються всі світлодіодні індикатори, це означає, що акумулятор повністю заряджений. Тривалість заряджання акумулятора не повинна перевищувати 24 години.
5. Щоб від'єднати зарядний пристрій із розетки, тримайтеся тільки за штепсель, не тягніть за шнур.
6. Вийміть акумулятор із зарядного пристрою.

## Стан заряджання акумулятора

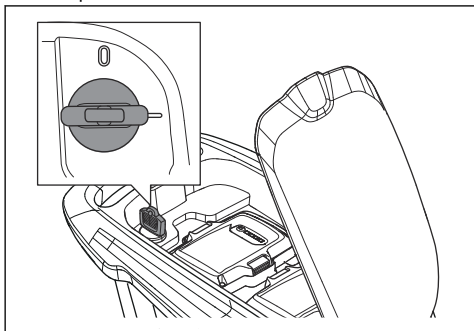
Літій-іонний акумулятор Husqvarna можна заряджати та використовувати за будь-якого рівня зарядки. Акумулятор не буде пошкоджено. Повністю заряджена акумуляторна батарея не втрачає заряд, якщо її залишити в зарядному пристрої.

Світлодіодний дисплей	Стан зарядки
Блимає світлодіодний індикатор 1	0-25 %
Горить світлодіодний індикатор 1, блимає світлодіодний індикатор 2	25-50 %
Горять світлодіодні індикатори 1, 2, блимає світлодіодний індикатор 3	50-75 %
Горять світлодіодні індикатори 1, 2, 3, блимає світлодіодний індикатор 4	75-100 %

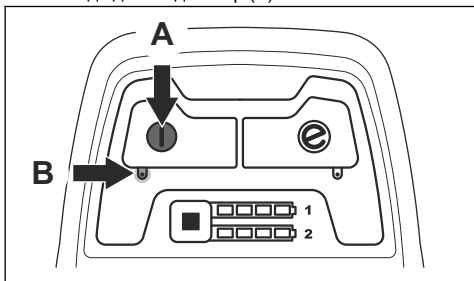
Світлодіодний дисплей	Стан зарядки
Горять світлодіодні індикатори 1, 2, 3, 4	Заряджено повністю

## Запуск виробу

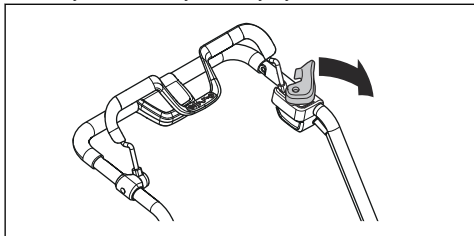
1. Встановіть акумулятор в акумуляторний відсік №1 під кришкою. Для більш тривалого часу використання вставте другий заряджений акумулятор в акумуляторний відсік №2.
2. Поверніть ключ безпеки в положення «1».



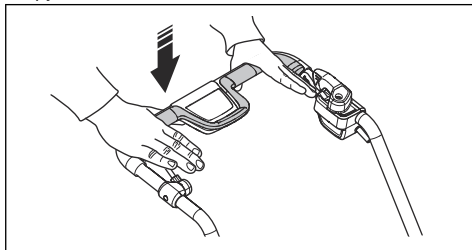
3. Залишайтеся позаду виробу.
4. Натисніть кнопку «УВИМК./ВИМКН.» (A) на панелі керування, після чого ввімкнеться зелений світлодіодний індикатор (B).



5. Відпустіть обмежувач запуску.



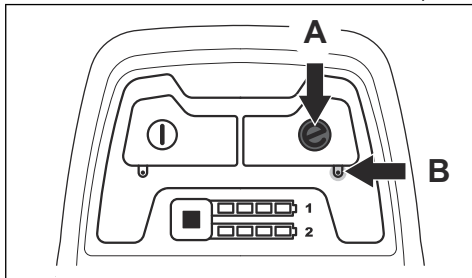
6. Перемістіть ручку зупинення двигуна в напрямку рукоятки.



## Використання функції SavE

Виріб оснащений функцією збереження заряду акумулятора (SavE), що дозволяє подовжити час використання.

1. Для ввімкнення функції натисніть кнопку SavE (A). Увімкнеться зелений світлодіодний індикатор.



2. Для вимкнення функції натисніть кнопку SavE ще раз. Зелений світлодіодний індикатор (B) вимкнеться.

Функція SavE вмикається автоматично в разі, якщо умови поверхні потребують збільшення потужності. Якщо умови поверхні є сприятливими, функція SavE починає роботу автоматично.

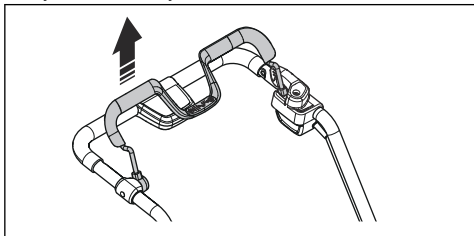
## Функція підвищеної потужності

Якщо виріб використовується для зрізання довгої чи вологої трави, двигун автоматично збільшує оберти. Коли необхідність у підвищеній потужності зникає, двигун повертається до роботи в стандартному режимі.

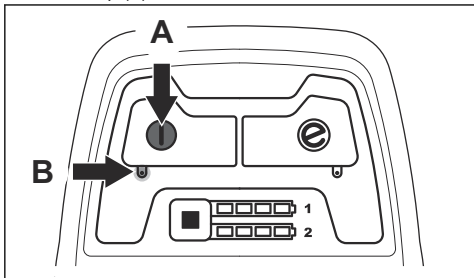
## Зупинка виробу

Якщо ви не користуєтесь виробом протягом 10 хвилин, він автоматично зупиняється. Залишаючи виріб без нагляду, завжди повертайте ключ безпеки в положення «0».

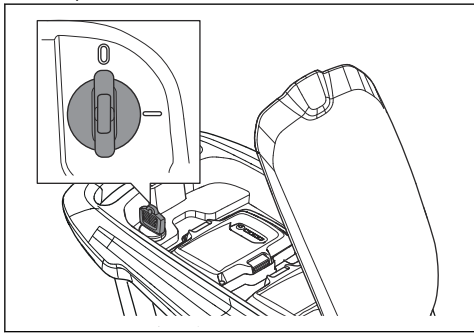
1. Для зупинення двигуна відпустіть ручку зупинення двигуна.



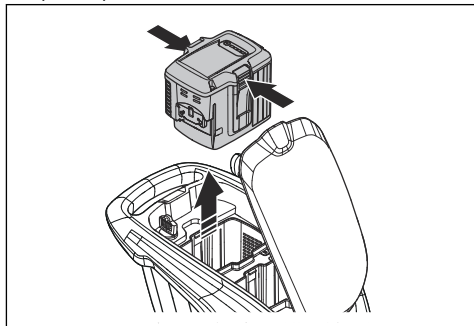
2. Натисніть кнопку «УВІМК./ВИМКН.» (А) на панелі керування, після чого зелений світлодіодний індикатор (В) вимкнеться.



3. Відкрийте кришку акумуляторного відсіку та поверніть ключ безпеки в положення «0».



4. Щоб зняти акумулятор, натисніть дві кнопки фіксатора та витягніть його.



5. Якщо рівень заряду акумулятора низький, зарядіть його. Докладніше див. *Зарядка акумулятора на сторінці 613.*

## Забезпечення ефективної роботи

- Завжди користуйтеся гострим лезом. Тупе лезо ріже нерівно, а трава на поверхні розрізу жовтіє. Крім того, гостре лезо споживає менше енергії за тупе.
- Не скошуйте більше  $\frac{1}{3}$  довжини трави. Спочатку треба виконувати скошування з великою висотою різання. Оцініть результат і зменште висоту різання на потрібну вам. Якщо трава дуже довга, ведіть газонокосарку повільно і виконайте скошування двічі, якщо це необхідно.
- Косіть щоразу в різних напрямках, щоб на газоні не було смуг.
- Тримайте кожух леза в чистоті. Скупчення трави й бруду на внутрішньому боці кожуха леза може негативно вплинути на результат роботи. Див. *Чищення виробу на сторінці 616.*

## ТЕХНІЧНЕ ОБСЛУГОВУВАННЯ

### Вступ



**ПОПЕРЕДЖЕННЯ:** Перед виконанням робіт із технічного обслуговування обов'язково прочитайте й усвідомте зміст розділу про заходи безпеки.

Для всіх робіт з обслуговування та ремонту необхідна спеціальна підготовка. Ми гарантуємо доступність послуг із професійного ремонту та обслуговування. Якщо ваш дилер не є одночасно

центром обслуговування, зверніться до нього по інформацію щодо найближчого центру обслуговування.

### Графік технічного обслуговування

Інтервали технічного обслуговування вказані з урахуванням щоденного використання виробу. Інтервали змінюються для іншої частоти використання виробу.

Інформацію щодо технічного обслуговування елементів, помічених знаком \* див. у *Механізми безпеки на пристрої на сторінці 606.*

	Перед кожним використанням	Щомісяця	Щоквартально
Загальна перевірка	X		
Очищення виробу	X		
Перевірка обмежувача запуску*	X		
Переконайтеся, що захисні пристрої виробу є справними*	X		
Перевірка різального обладнання	X		
Перевірка кожуха леза*	X		
Перевірка ручки зупинення двигуна*	X		
Перевірка правильності та справності роботи кнопки «УВІМК./ВИМКН.»	X		
Перевірка акумулятора на наявність пошкоджень	X		
Перевірка рівня заряду акумулятора	X		
Перевірка справності кнопки фіксатора на акумуляторі та надійності утримання акумулятора у виробі	X		
Перевірка зарядного пристрою на наявність пошкоджень та правильності його роботи.		X	
Перевірка з'єднань між акумулятором та виробом. Перевірка з'єднань між акумулятором та зарядним пристроєм.			X

## Процедура загальної перевірки

- Переконайтеся, що всі гайки й гвинти на виробі затягнуті.
- Переконайтеся, що кабелі встановлені так, щоб вони не пошкодились.

## Чищення виробу

- Для очищення пластмасових деталей використовуйте суху чисту тканину.
- Не користуйтеся водою для очищення виробу. Вода може потрапити в акумулятор чи двигун та призвести до короткого замикання або пошкодження виробу.
- Для чищення виробу не використовуйте миючий апарат високого тиску.
- Заборонено лити воду безпосередньо на двигун.
- Прибирайте листя, траву та бруд за допомогою щітки.

## Чищення акумулятора та зарядного пристрою



**ПОПЕРЕДЖЕННЯ:** Заборонено мити батарею чи зарядний пристрій водою.

- Перш ніж вставити акумулятор у зарядний пристрій, переконайтеся, що акумулятор і зарядний пристрій чисті й сухі.
- Чистити контакти акумулятора потрібно стисненим повітрям або за допомогою м'якої сухої ганчірки.
- Чистити поверхню акумулятора та зарядного пристрою потрібно за допомогою м'якої сухої ганчірки.

## Перевірка різального обладнання



**ПОПЕРЕДЖЕННЯ:** Щоб запобігти випадковому ввімкненню виробу, поверніть ключ безпеки в положення «0», вийміть акумуляторну батарею та почекайте принаймні 5 секунд.



**ПОПЕРЕДЖЕННЯ:** Під час технічного обслуговування різального обладнання використовуйте захисні рукавиці. Лезо дуже гостре, ним можна легко порізатися.

1. Перевірте різальне обладнання на наявність пошкоджень або тріщин. Обов'язково замінійте пошкоджене різальне обладнання.

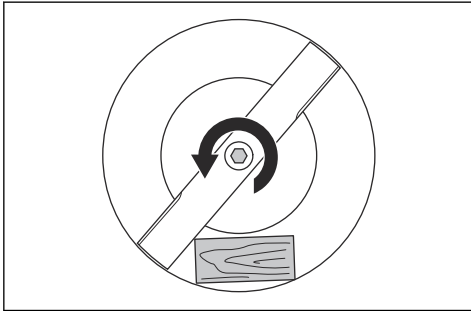


- Огляньте лезо на предмет пошкоджень або затуплення.

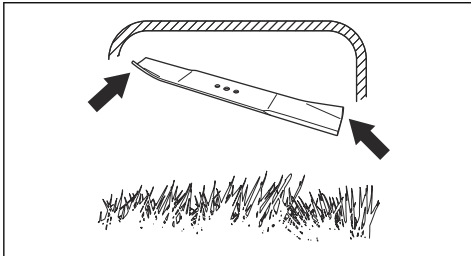
**Зверніть увагу:** Після гостріння леза необхідно відрегулювати його баланс. Гостріння, заміну та балансування леза необхідно проводити в центрі обслуговування. У разі потраплення на перешкоду, що призвела до зупинки двигуна, замініть пошкоджене лезо. Спеціалісти центру обслуговування мають провести оцінювання стану леза та надати консультацію щодо необхідності його гостріння або заміни.

## Заміна ножа

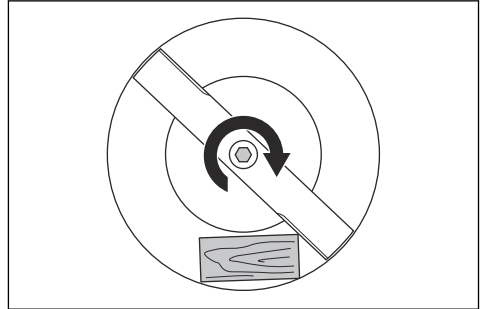
- Зафіксуйте лезо дерев'яним бруском.



- Вийміть болт леза.
- Зніміть лезо.
- Перевірте опору леза та болт на предмет пошкоджень.
- Перевірте вал двигуна на предмет згинань.
- Під час встановлення нового леза направляйте розміщені під кутом кінці в напрямку кожуха леза.



- Переконайтеся, що лезо знаходиться на одному рівні з центром вала двигуна.
- Зафіксуйте лезо дерев'яним бруском. Встановіть пружинну шайбу та затягніть болт і шайбу з моментом 23–28 Н·м.



- Прокрутіть лезо рукою та переконайтеся, що воно вільно обертається.



### ПОПЕРЕДЖЕННЯ:

Використовуйте міцні робочі рукавиці. Лезо дуже гостре, ним можна легко порізатися.

- Запустіть виріб, щоб перевірити роботу леза. У разі неправильного встановлення леза у виробі буде спостерігатися вібрація або результат скошування буде незадовільний.

## Усунення несправностей

### Акумулятор

Світлодіоди на акумуляторі	Причина	Рішення
Блимає зелений світлодіод.	Низька напруга акумулятора.	Зарядіть акумулятор. Див. <i>Зарядка акумулятора на сторінці 613.</i>
Блимає світлодіодний індикатор помилки.	Занизький рівень заряду акумулятора.	Зарядіть акумулятор. Див. <i>Зарядка акумулятора на сторінці 613.</i>
	Температура в робочому середовищі занадто низька або занадто висока.	Акумулятор дозволяється використовувати за температури від -10 °С до +40 °С.
	Перенапруга.	Переконайтеся, що напруга в мережі відповідає значенням, указаним на табличці з паспортними даними виробу.  Вийміть акумулятор із зарядного пристрою. Почекайте 5 секунд і спробуйте зарядити акумулятор. Якщо проблему не вдається усунути, зверніться в авторизований центр обслуговування.
Горить світлодіодний індикатор помилки.	Завелика різниця напруги між елементами (1 В).	Зверніться в авторизований центр обслуговування.

### Зарядний пристрій акумулятора

Світлодіодний індикатор на зарядному пристрої	Причина	Рішення
Блимає світлодіодний індикатор помилки.	Температура в робочому середовищі занадто низька або занадто висока.	Зарядний пристрій дозволяється використовувати за температури від 5 °С до 40 °С.
Горить світлодіодний індикатор помилки.		Зверніться в авторизований центр обслуговування.

### Панель керування

У разі виникнення проблем, не наведених у цьому розділі, зверніться в центр обслуговування.

Кнопкова панель	Код помилки (кількість спалахів)	Можливі несправності	Рекомендовані дії
Блимає світлодіодний індикатор помилки.	3	Двигун перенавантажений	Збільште висоту різання. Див. <i>Налаштування висоти різання на сторінці 612.</i>
	5	Частота обертання двигуна занадто падає та він зупиняється	
	10	Елементи керування двигуном занадто нагрілися	Зупиніть двигун та почекайте, доки вони охолонуть
	2	Лезо заблоковане	Щоб запобігти випадковому ввімкненню виробу, поверніть ключ безпеки в положення «0», вийміть акумуляторну батарею та почекайте принаймні 5 секунд. Переконайтеся, що лезо може вільно обертатися. Якщо усунути несправність не вдалося, зв'яжіться з уповноваженим центром обслуговування
	9	Помилка акумулятора або відсутність сигналу від нього	Правильно вставте акумулятор у виріб та перевірте його роз'єм. Якщо світлодіодний індикатор на акумуляторі продовжує блимати, див. <i>Акумулятор на сторінці 612.</i>
Виріб зупиняється	8	Занадто низький рівень заряду акумулятора	Зарядіть акумулятор Див. <i>Зарядка акумулятора на сторінці 613.</i>
	0	Несправність роз'єму акумулятора	Огляньте роз'єм акумулятора

## Транспортування, зберігання й утилізація

### Вступ



**ПОПЕРЕДЖЕННЯ:** Щоб запобігти випадковому ввімкненню виробу під час транспортування, поверніть ключ безпеки в положення «0», вийміть акумуляторну батарею та почекайте принаймні 5 секунд.

- Перед перевезенням виробу слід завжди виймати акумуляторну батарею.
- Заклейте з'єднувачі акумулятора стрічкою та переконайтеся, що під час транспортування він буде надійно зафіксований.
- Під час транспортування закріплюйте виріб.

### Зберігання

- Перед зберіганням виробу слід завжди виймати акумулятор.
- Задля уникнення нещасних випадків переконайтеся, що під час зберігання акумулятор не під'єднаний до виробу.
- Зберігайте зарядні пристрої у сухому місці в закритому приміщенні.
- Зберігайте акумулятор та зарядний пристрій у сухому місці, захищеному від вологи та холоду.
- Під час зберігання від'єднуйте акумулятор від зарядного пристрою.

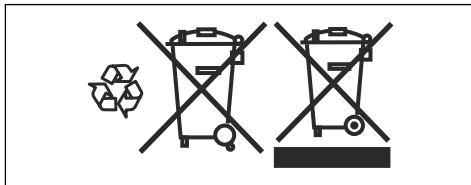
### Транспортування

- До літій-іонних акумуляторів, що йдуть у комплекти, застосовується законодавство щодо небезпечних товарів.
- Під час транспортування цивільним транспортом слід дотримуватися спеціальних вимог, що зазначені на пакуванні та наклейках.
- У разі підготовки виробу до транспортування переконайтеся, що ви дотримуетесь законодавства щодо небезпечних матеріалів. Крім того, можуть застосовуватися місцеві норми.

- Заборонено зберігати акумулятор у місці, де можуть утворюватися статичні заряди. Не зберігайте акумулятор у металевій коробці.
- Зберігайте акумулятор за температури від 5°C до 25°C у захищеному від прямих сонячних променів місці.
- Зберігайте зарядний пристрій за температури від 5°C до 45°C у захищеному від прямих сонячних променів місці.
- Перед тривалим зберіганням акумуляторної батареї переконайтеся, що рівень її заряду становить 30–50 %.
- Зберігайте виріб, акумулятор та зарядний пристрій у закритому приміщенні, куди не зможуть отримати доступ діти та особи без належної підготовки.
- Перед тривалим зберіганням промийте виріб та проведіть повне технічне обслуговування.

відходами. Утилізацію цього виробу слід здійснювати на спеціалізованому підприємстві з переробки відходів електричного й електронного обладнання.

Належна утилізація виробу допоможе запобігти потенційному негативному впливу на стан навколишнього середовища та здоров'я людей, який може стати наслідком некоректної обробки відходів. Докладну інформацію про утилізацію цього виробу можна отримати в органах місцевого самоврядування, місцевих службах переробки відходів або в магазині, де було придбано цей пристрій.



## Утилізація

Символи на виробі або його упаковці вказують на те, що його не слід утилізувати разом з побутовими

## Технічні характеристики

	<b>LB 146i</b>
<b>Cutting motor (Різальний двигун)</b>	
Тип двигуна	Двигун постійного струму (без щіток) 36 В
Швидкість двигуна – SavE, об. на хв	2600
Швидкість двигуна – номінальна, об. на хв	3000
Швидкість двигуна – підвищена потужність, об. на хв	3500
Вихідна потужність двигуна – максимальна, кВт	1,05
Вихідна потужність двигуна – номінальна, кВт	0,9
Обмеження перевантаження за струмом (поточне обмеження: 900W-27A)	27 (+/-) 1A
<b>Маса</b>	
Вага без акумулятора, кг	16,9
<b>Акумулятор</b> <sup>109</sup>	
Тип акумулятора	Серія Husqvarna
<b>Тривалість роботи акумулятора</b>	
Тривалість роботи акумулятора, хв, (холостий хід) з активованою функцією SavE, з одним акумулятором Husqvarna ємністю 5,2 А-год (BLi200).	77

<sup>109</sup> Для досягнення найкращих результатів та продуктивності рекомендується використовувати акумуляторну батарею BLi200 Husqvarna.

	<b>LB 146i</b>
Тривалість роботи акумулятора, хв. (холостий хід) у стандартному режимі роботи, з одним акумулятором Husqvarna ємністю 5,2 А·год (BLi200).	45
<b>Випромінювання шуму</b> <sup>110</sup>	
Рівень звукової потужності, дБ (А)	90
Рівень звукової потужності, гарантований L <sub>WA</sub> дБ(А)	91
<b>Рівні звуку</b> <sup>111</sup>	
Рівень звукового тиску у вусі оператора, дБ(А)	79
<b>Рівні вібрації</b> <sup>112</sup>	
Ручка, м/с <sup>2</sup>	0,9
<b>Різальне обладнання</b>	
Висота зрізання, мм	35–70 мм
Ширина зрізання, см	46
Лезо	BioClip
Артикул	5947022-10

Схвалені акумулятори	Тип	Ємність батареї, ампер-години	Напруга, В	Маса, фунти/кг
BLi20	Літій-іонний	4,0	36	2,6/1,2
BLi200	Літій-іонний	5,2	36	2,8/1,3
BLi300	Літій-іонний	9,4	36	4,2/1,9

Схвалені зарядні пристрої для вказаних батарей, BLi	Вхідна напруга, В	Частота, Гц	Потужність, Вт
QC80	100-240	50-60	100
QC80F	10–15	Не застосовується	95
QC330	100-240	50-60	330
QC500	100-240	50-60	500
40-C80	100-240	50-60	68,8

<sup>110</sup> Випромінювання шуму в середовище, виміряне як звукова потужність (L<sub>WA</sub>), відповідає директиві ЄС 2000/14/ЕС.

<sup>111</sup> Заявлені дані про рівень шумового тиску мають стандартну статистичну розбіжність (стандартне відхилення) в 1,2 дБ(А).

<sup>112</sup> Указані дані щодо рівня вібрації мають стандартну статистичну розбіжність (стандартне відхилення), що становить 0,2 м/с<sup>2</sup>. Стандарт щодо вібрації EN 60335-2-77:2017 глава 20.105

---

# Декларація відповідності ЄС

---

## Декларація відповідності ЄС

**Ми, Husqvarna AB**, SE-561 82 місто Хускварна, Швеція, телефон: +46-36-146500, заявляємо, що **газонокосарки Husqvarna LB 146i** із серійними номерами від 2021 року й наступні, відповідають вимогам ДИРЕКТИВИ РАДИ ЄС:

- від 8 червня 2011 р. «Про обмеження використання деяких небезпечних речовин» **2011/65/EU**
- від 17 травня 2006 р. «стосовно механічного обладнання» **2006/42/EC**
- від 26 лютого 2014 р. «Про електромагнітну сумісність» **2014/30/EU**
- від 8 травня 2000 р. «Про випромінювання шуму до навколишнього середовища» **2000/14/EC**

Відомості стосовно шумовипромінювання див. у розділі «Технічні дані».

Застосовано такі стандарти:

**EN 60335-1:2012+A11:2014+A13:2017, EN 60335-2-77:2010, EN 62233:2008, EN 55014-1:2017+A11:2020, EN 55014-2:2015, EN IEC 63000:2018**

Якщо інше не зазначено, маються на увазі останні опубліковані версії вищенаведених стандартів.

Уповноважений орган: **0404, RISE SMP Svensk Maskinprovning AB, Box 7035, SE-750 07 Uppsala** провів процедуру оцінки відповідності згідно з Додатком VI Директиви 2000/14/EC.

Husqvarna, 2021-10-30



Клаес Лосдал (Claes Losdal), директор із питань розвитку / продукції для садівництва (уповноважений представник компанії Husqvarna AB, що відповідає за технічну документацію)





[www.husqvarna.com](http://www.husqvarna.com)

Original instructions  
Оригинални инструкции  
Původní pokyny  
Originale instruktioner  
Originalanweisungen  
Αρχικές οδηγίες  
Instrucciones originales  
Originaaljuhend  
Alkuperäiset ohjeet  
Instructions d'origine  
Originalne upute  
Eredeti útmutatás  
Istruzioni originali  
取扱説明書原本

Originalios instrukcijos  
Lietošanas pamācība  
Originele instructies  
Originale instruksjoner  
Oryginalne instrukcje  
Instrucções originais  
Instrucțiuni inițiale  
Оригинальные инструкции  
Põvodné pokyny  
Izvirna navodila  
Originalna uputstva  
Bruksanvisning i original  
Oriġinal talimatlar  
Оригінальні інструкції

1142789-38



2021-11-30