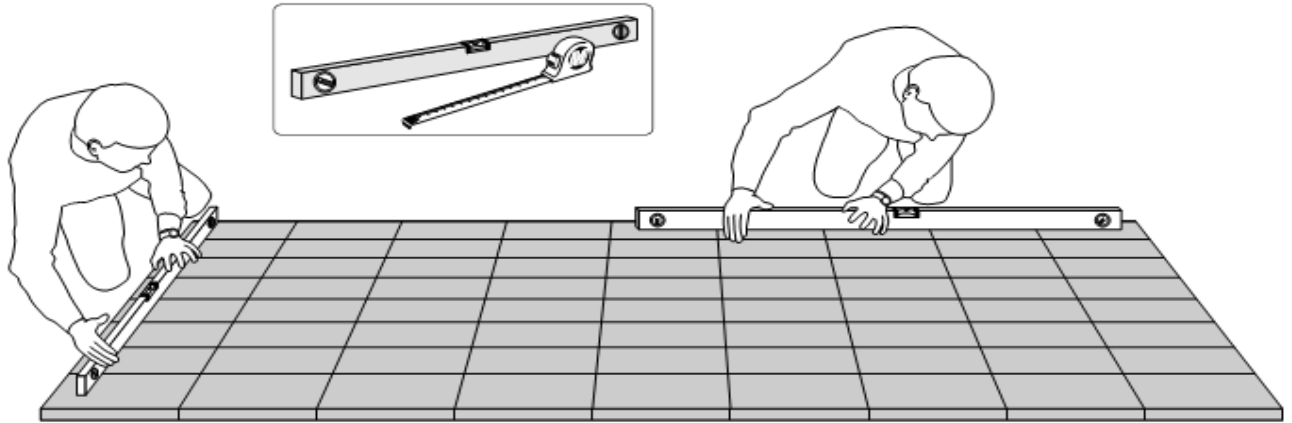


Lux-stall

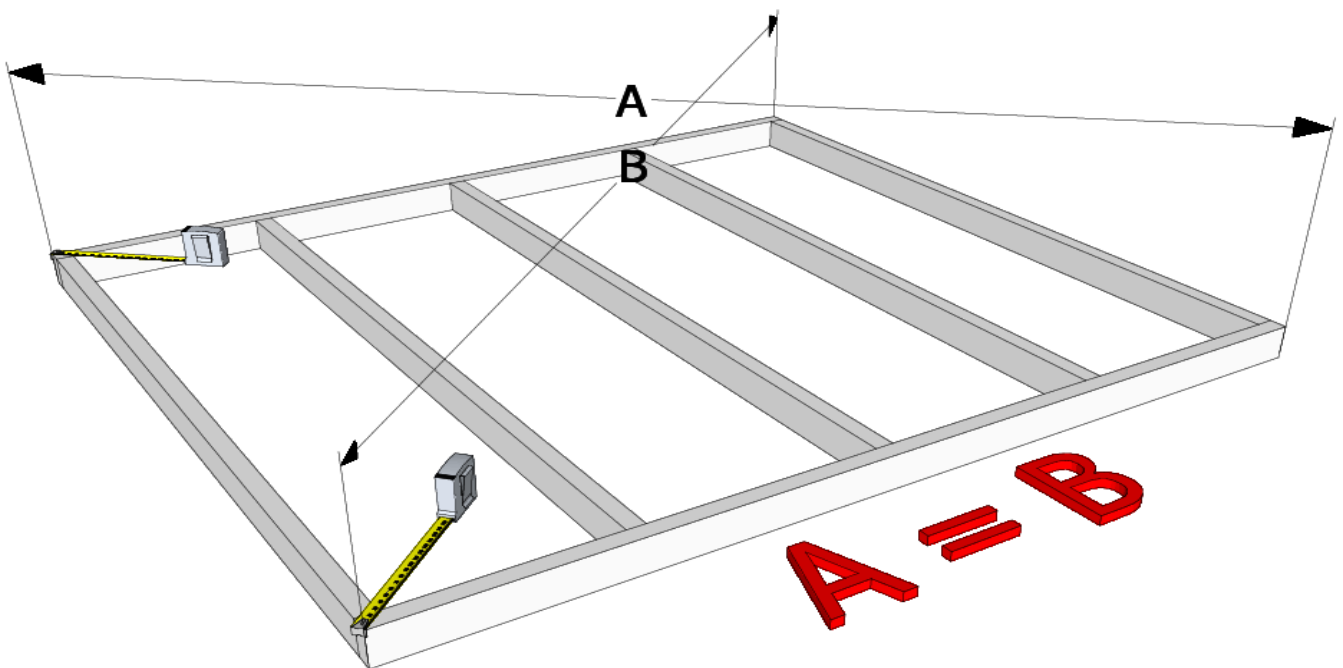
Assembly instruction

1/15

Important !
Wichtig !



Important !
Wichtig !

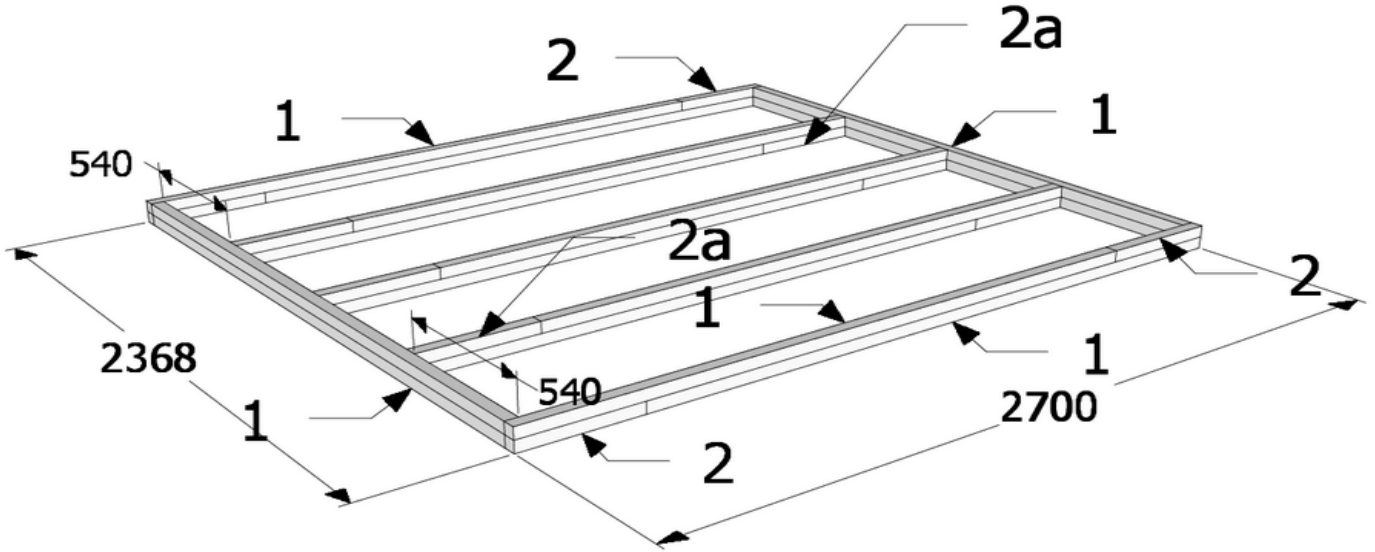


Lux-stall

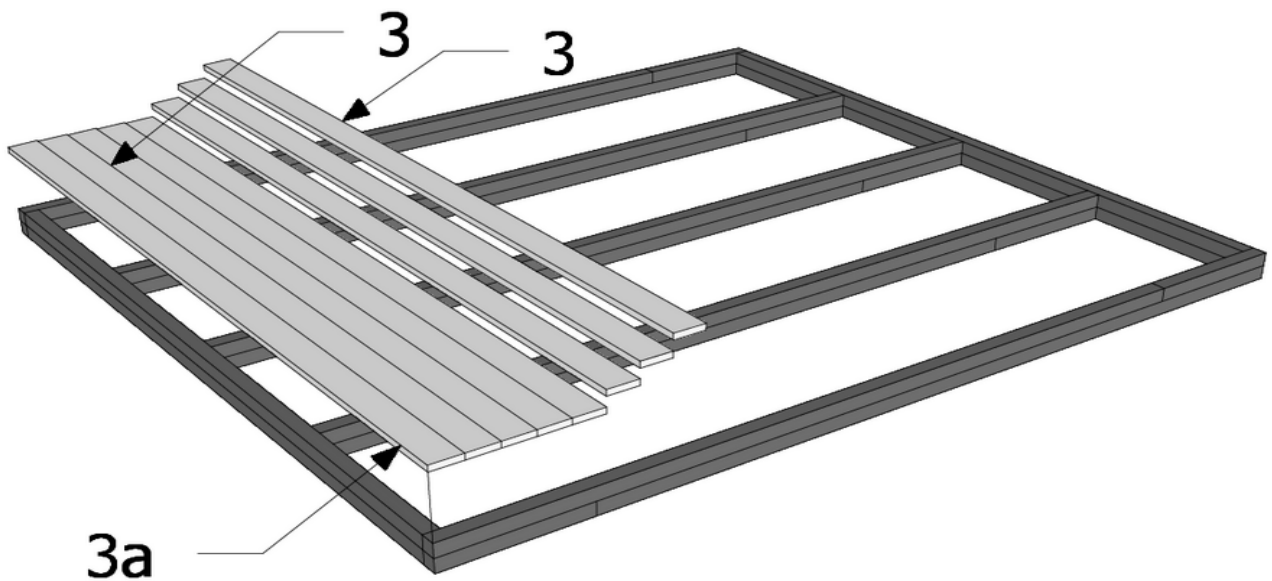
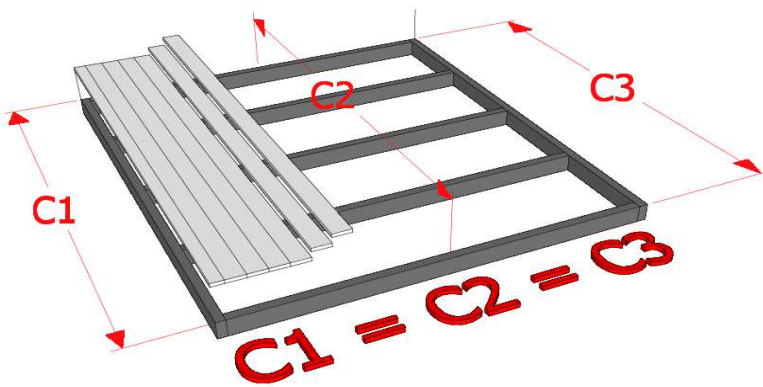
Assembly instruction

2/15

ideal A = 3591mm. = B



1	+	1	+	2	+	2a	4,5 x 80	48
----------	---	----------	---	----------	---	-----------	-----------------	-----------

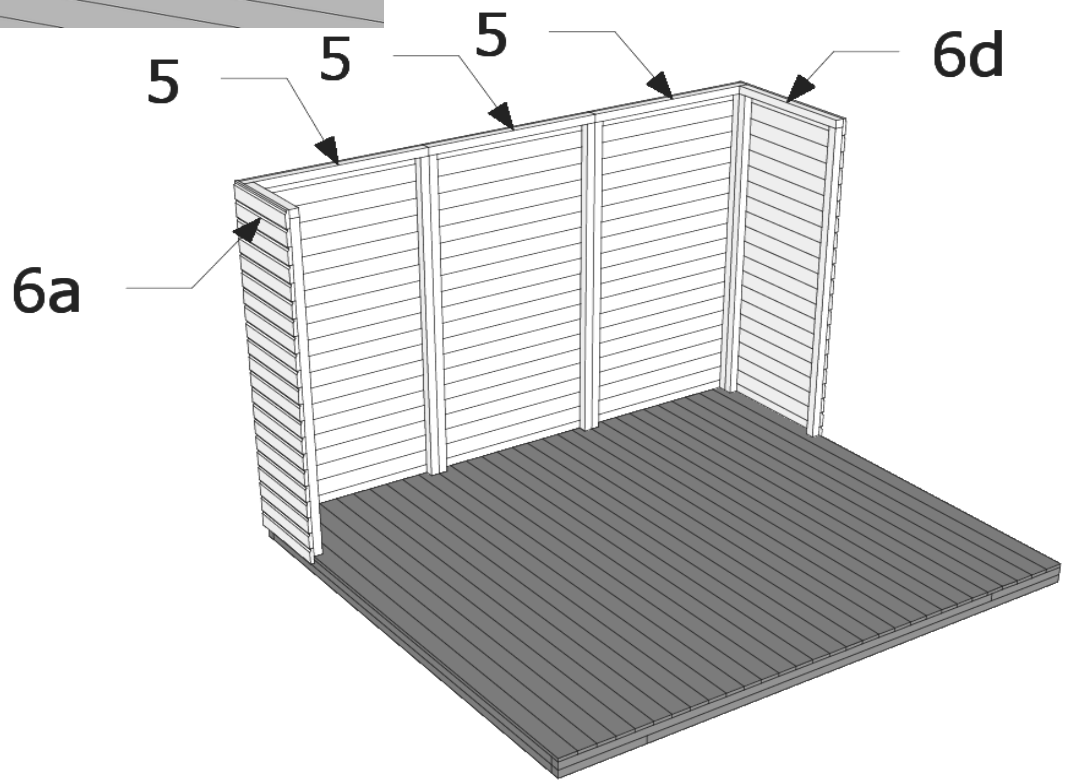
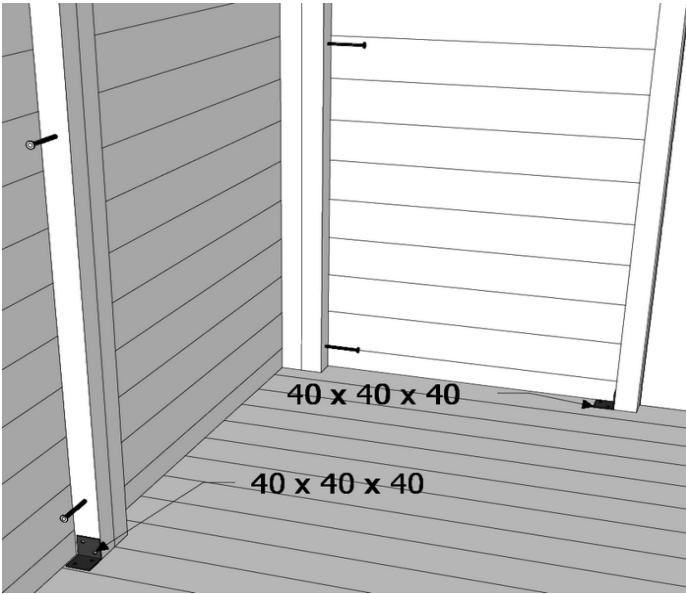


3a	+	3	2,5 x 50	160
-----------	---	----------	-----------------	------------

Lux-stall

Assembly instruction

3/15



6d	+	5	+	5	+	5
+	6a	+	4b	+	6b	
+	6a	+	4a	+	6b	
				+	6c	

4,5 x 80	36
-----------------	-----------

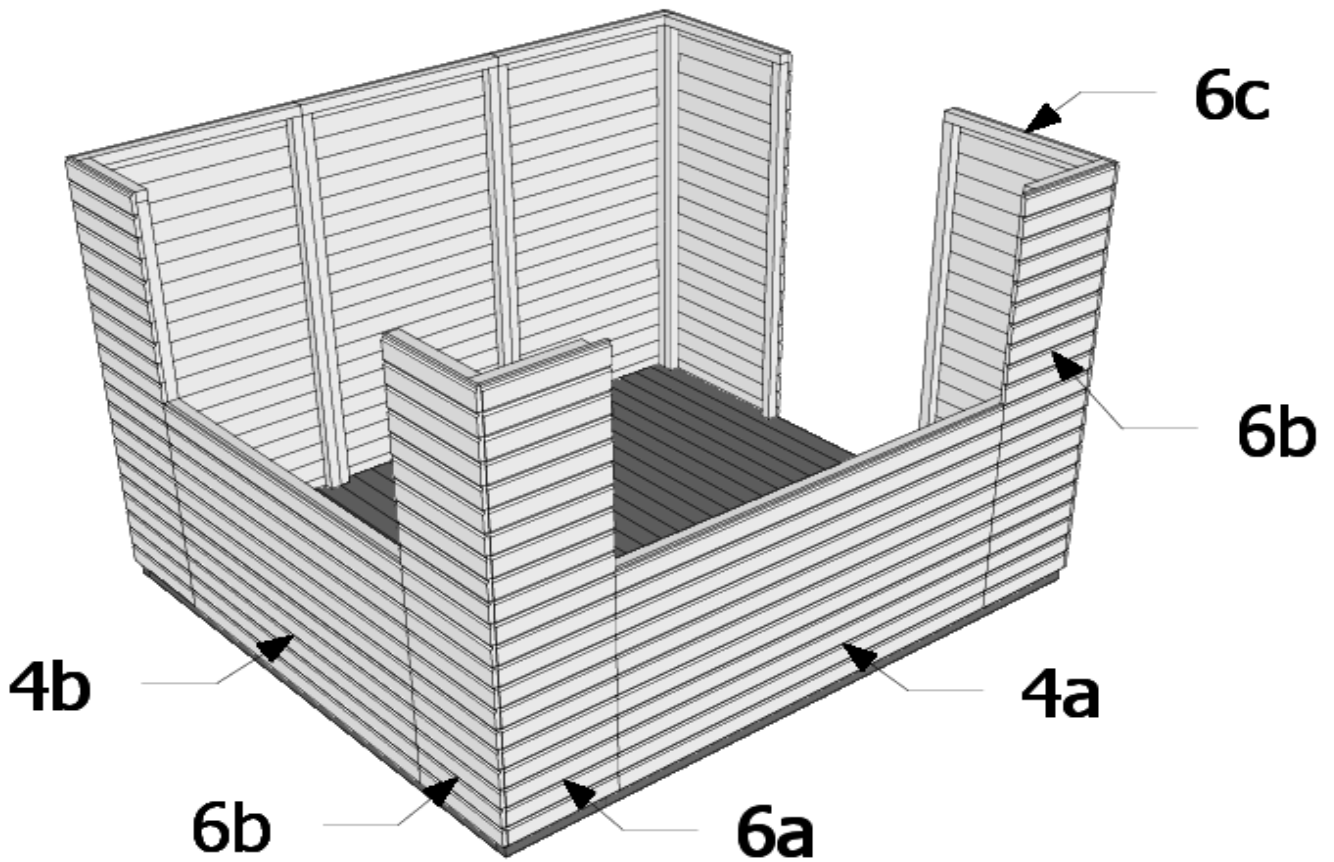
6d	5	5	5	5	6a	4b
4b	6b	6a	4a	4a	6b	6c
					+	base

40 x 40 x 40	8
3,5 x 40	48

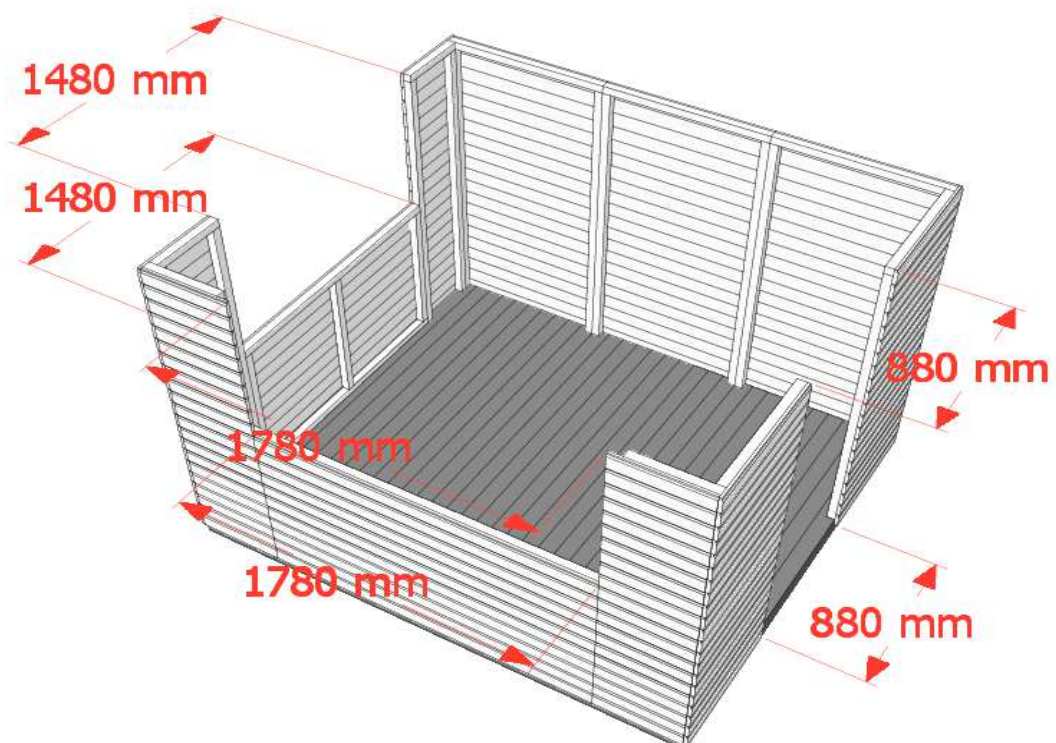
Lux-stall

Assembly instruction

4/15



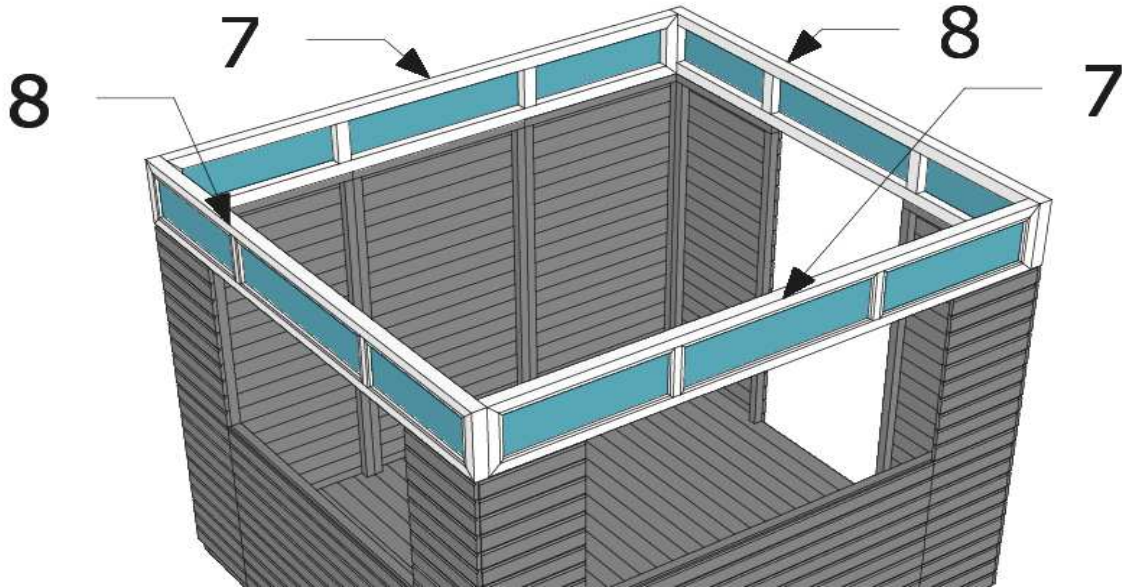
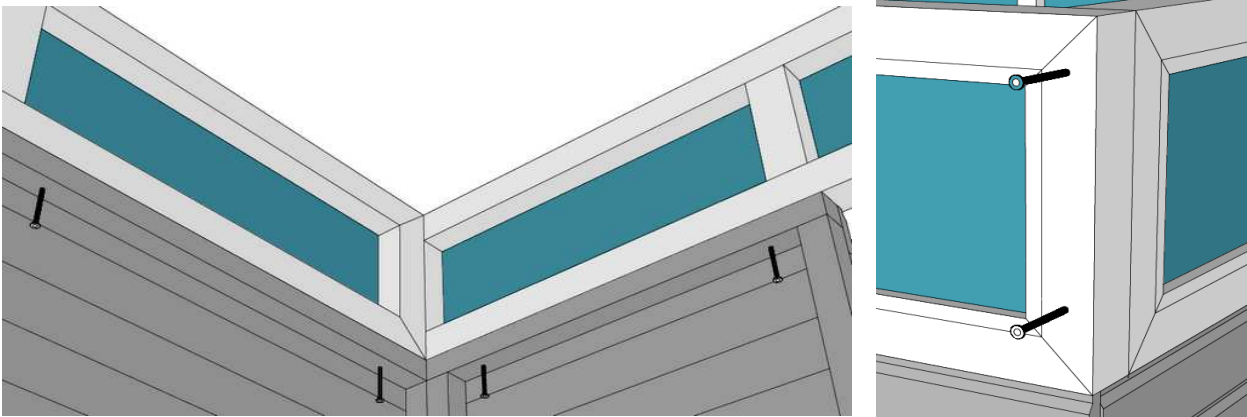
Important !
Wichtig !



Lux-stall

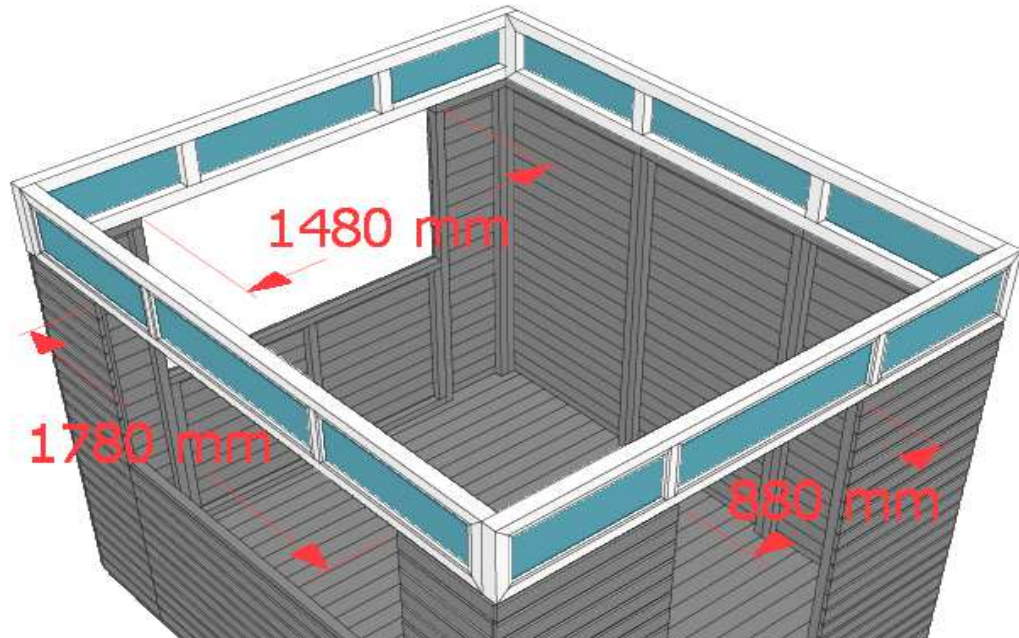
Assembly instruction

5/15



8	+	7	+	7	+	8	4,5 x 80	18
		8	+	7			5 x 120	8

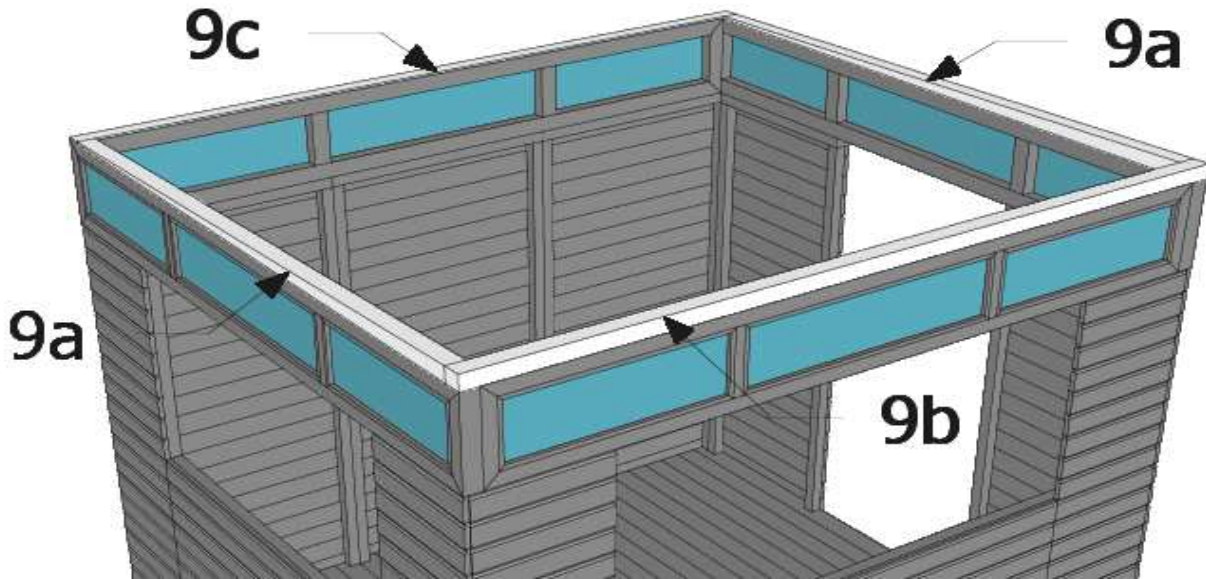
**Important !
Wichtig !**



Lux-stall

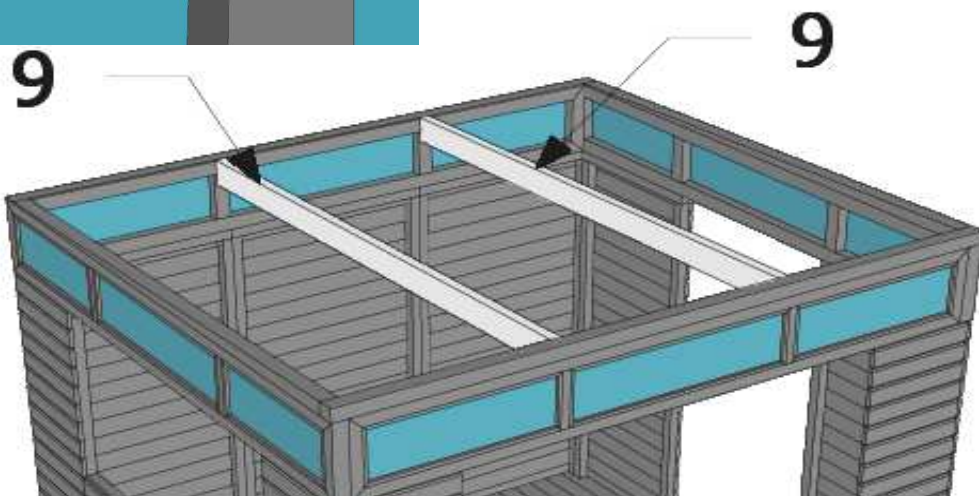
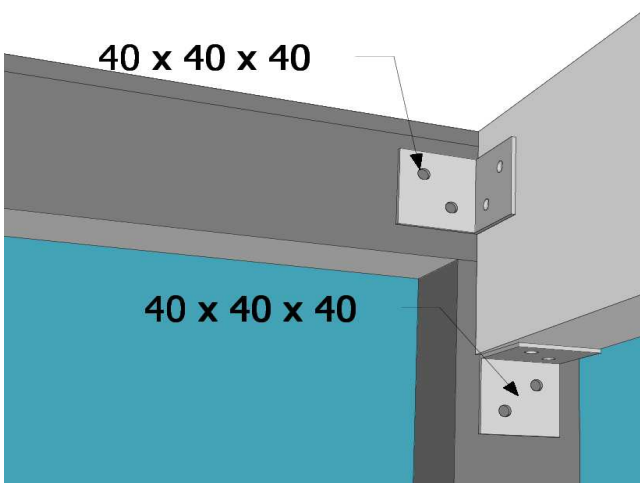
Assembly instruction

6/15



9b + **9a** + **9a** + **9c**

4,5 x 80	10
3,5 x 50	6
3,5 x 40	6

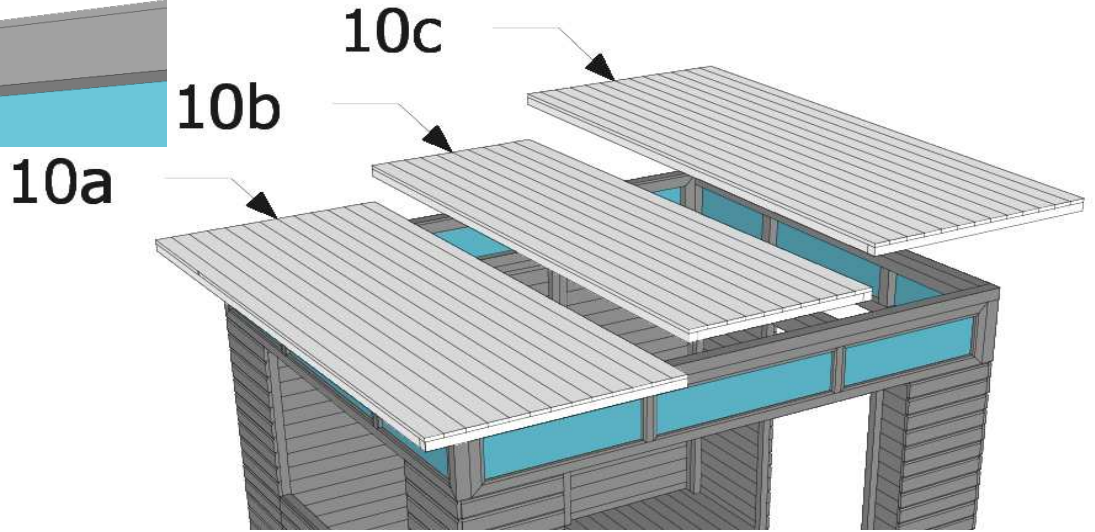
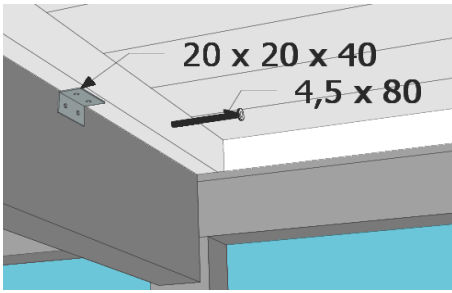


+ **9**

40 x 40 x 40	8
3,5 x 40	48

Lux-stall

Assembly instruction

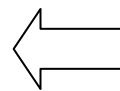
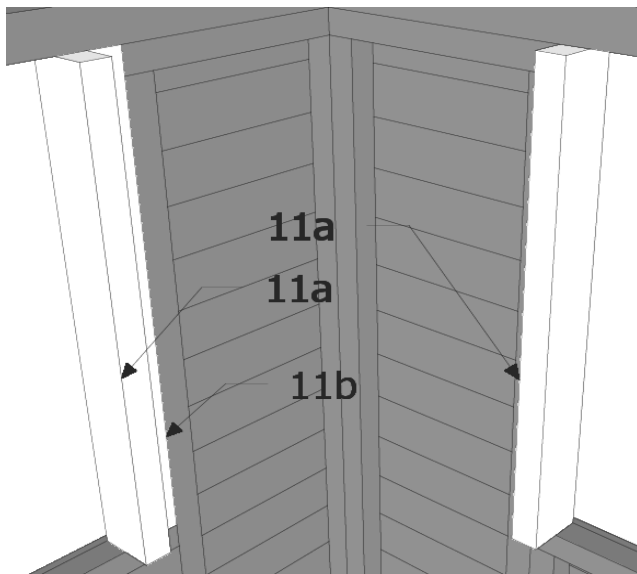


along the perimeter / entlang den perimeter

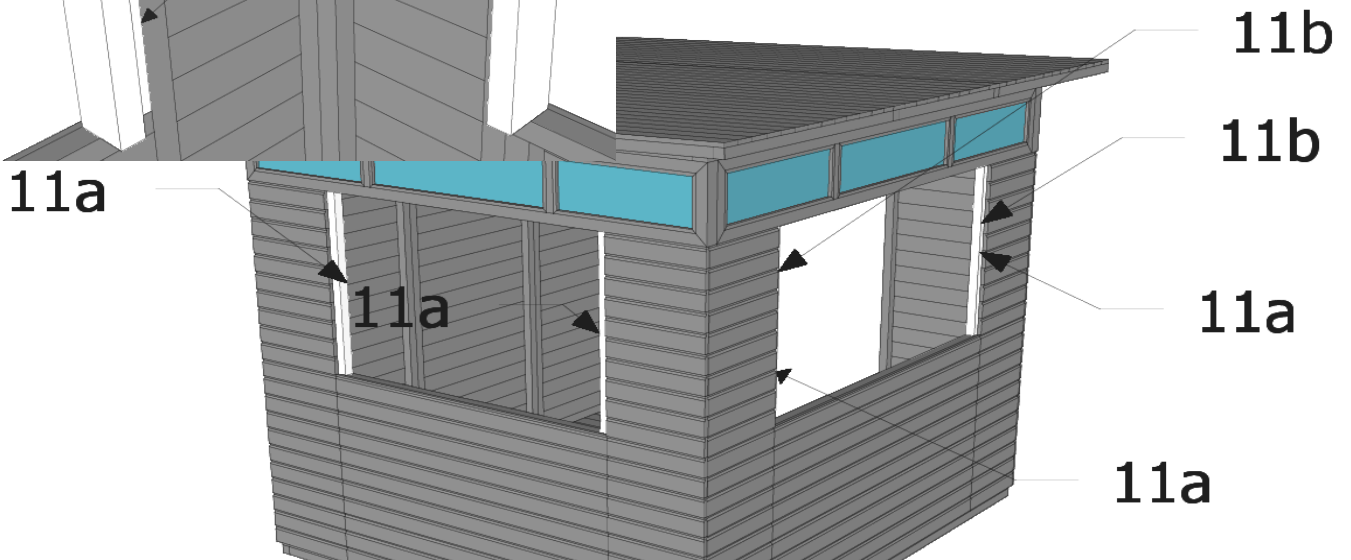
+ **10a** + **10b** + **10c**



5 x 120	20
4,5 x 80	6
20 x 20 x 40	12
3,5 x 40	48



View from inside
Ansicht von innen



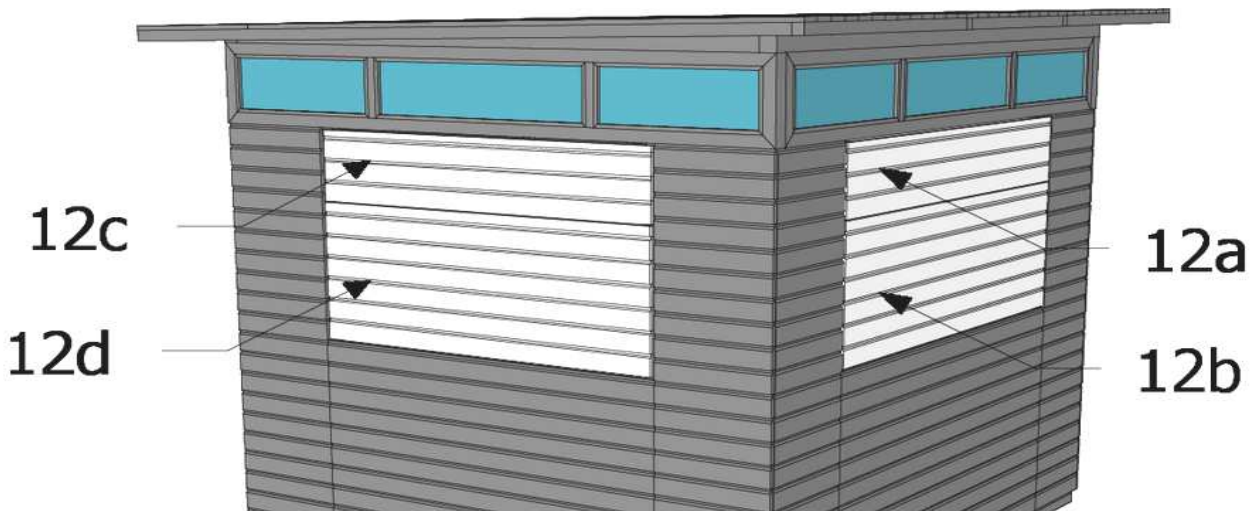
+ **11b** + **11a**

4,5 x 80	18
-----------------	-----------

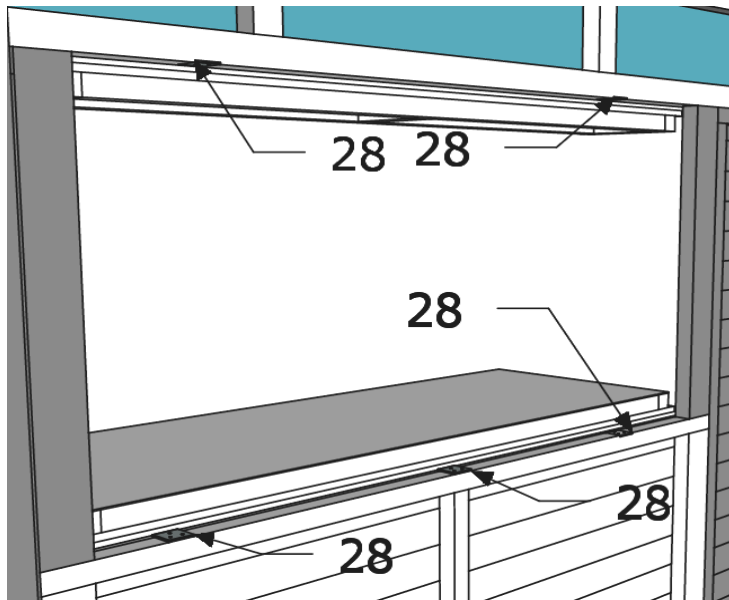
Lux-stall

Assembly instruction

8/15

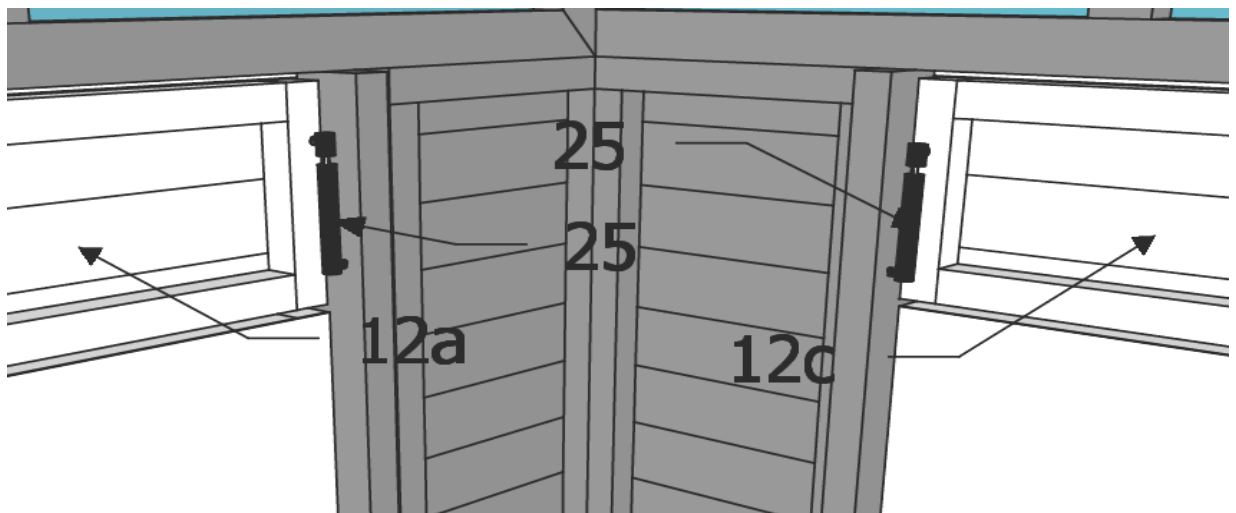


12a + **12b** + **12c** + **12d**



28	5 x 35	60
-----------	---------------	-----------

View from inside
Ansicht von innen

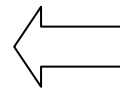
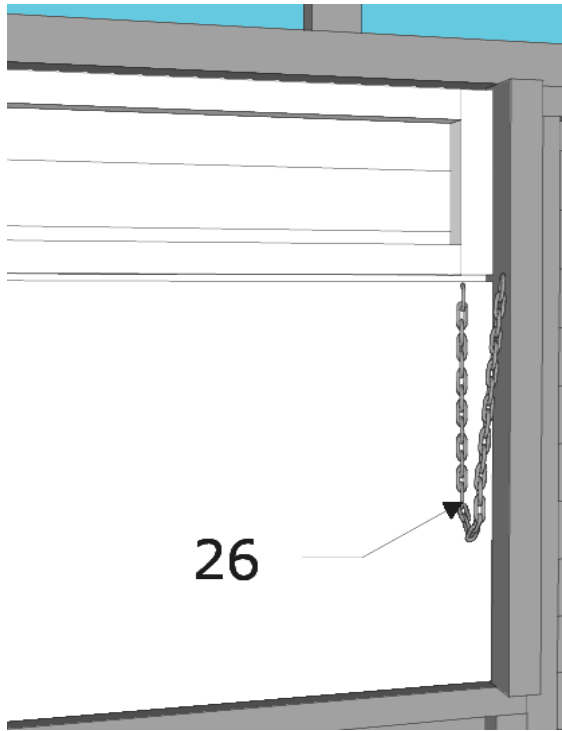


25	3,5 x 40	20
-----------	-----------------	-----------

Lux-stall

Assembly instruction

9/15

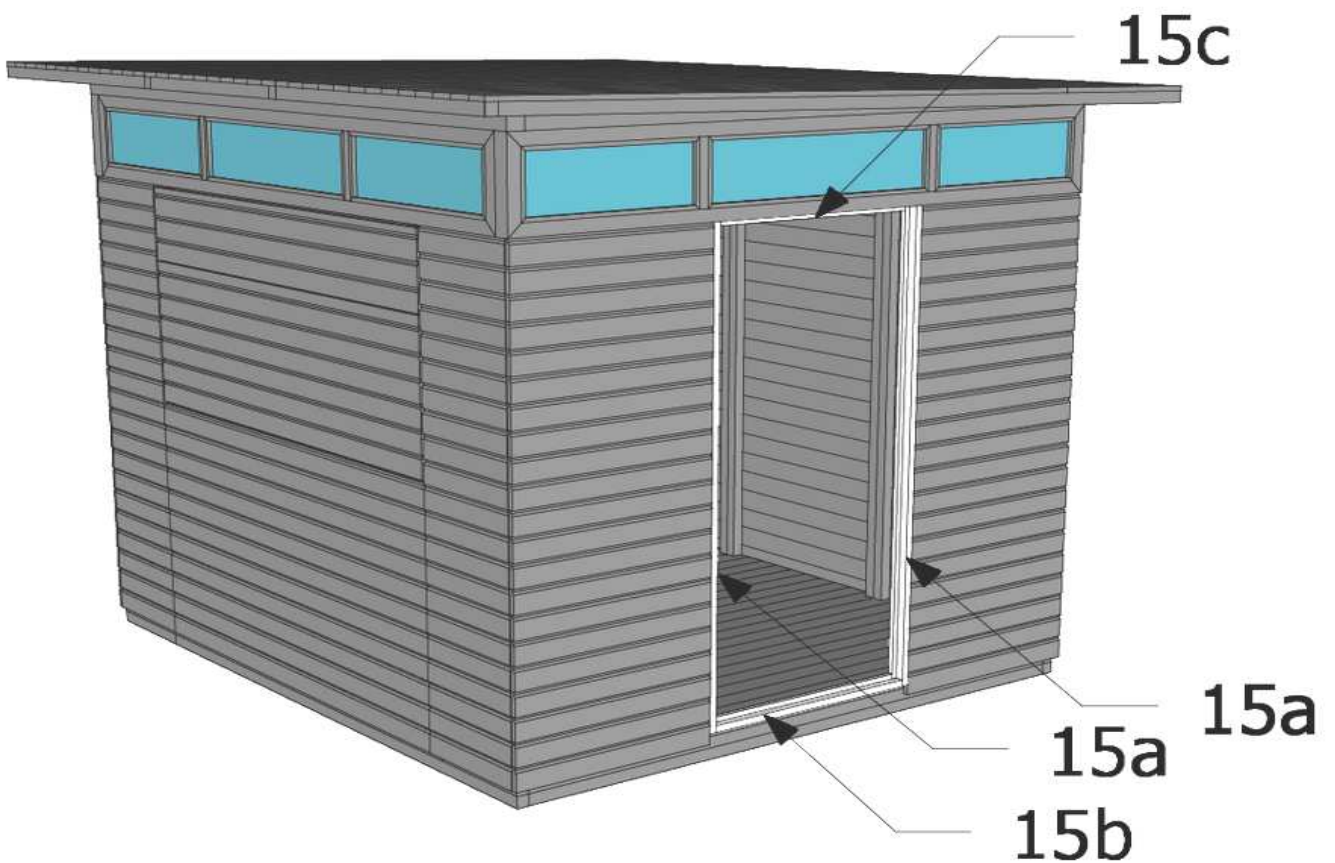


View from inside
Ansicht von innen

26

27

26

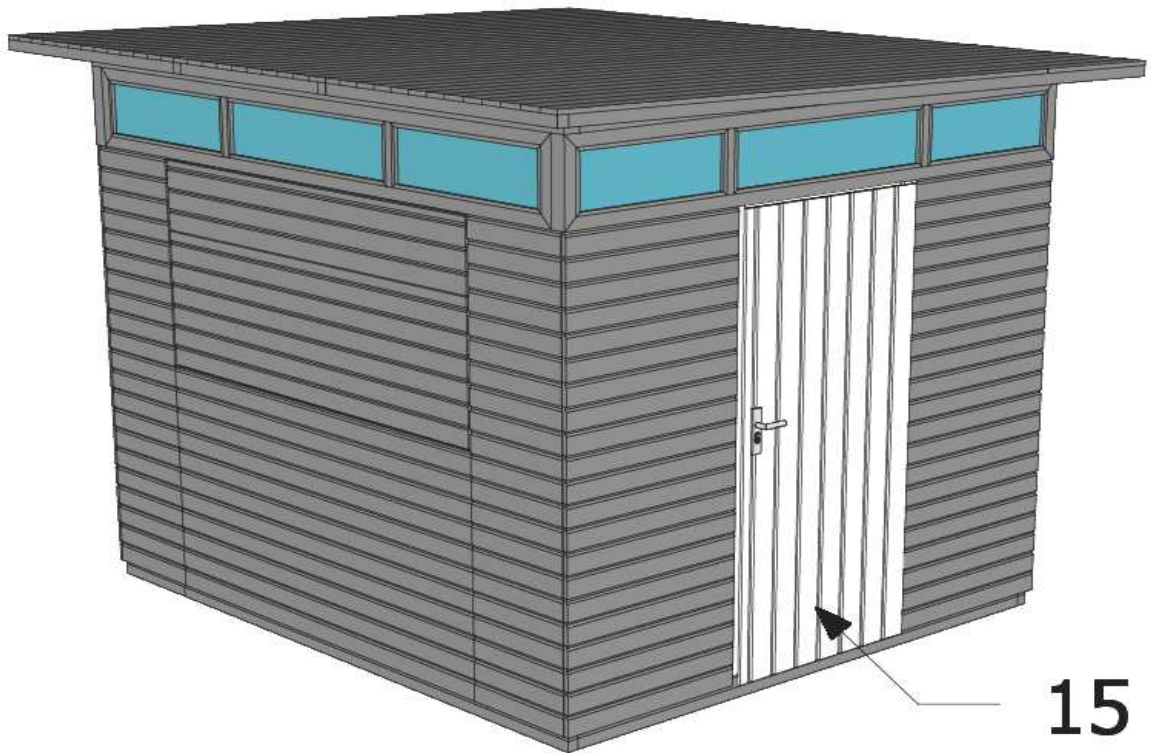


15a	+	15b	4 x 60	12
		15c	3,5 x 40	4

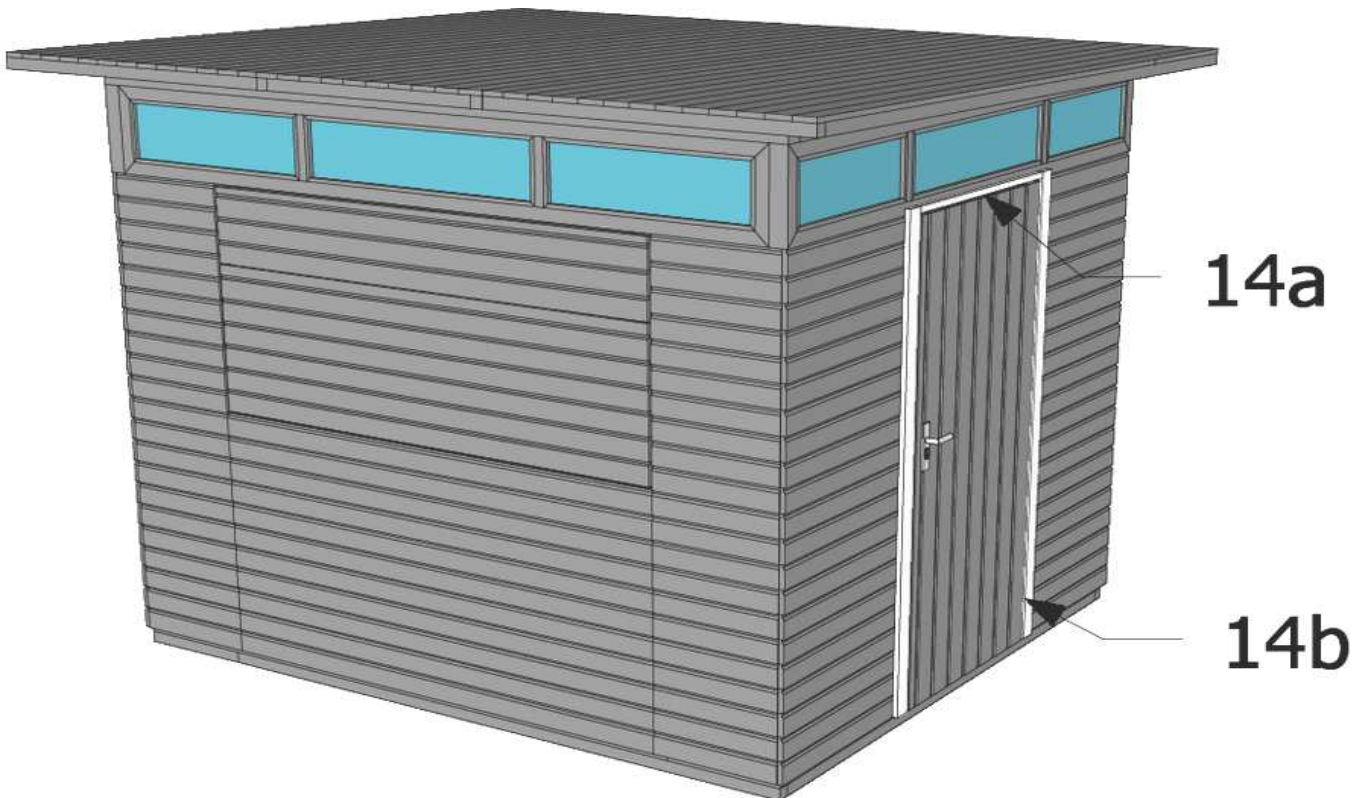
Lux-stall

Assembly instruction

10/15



15

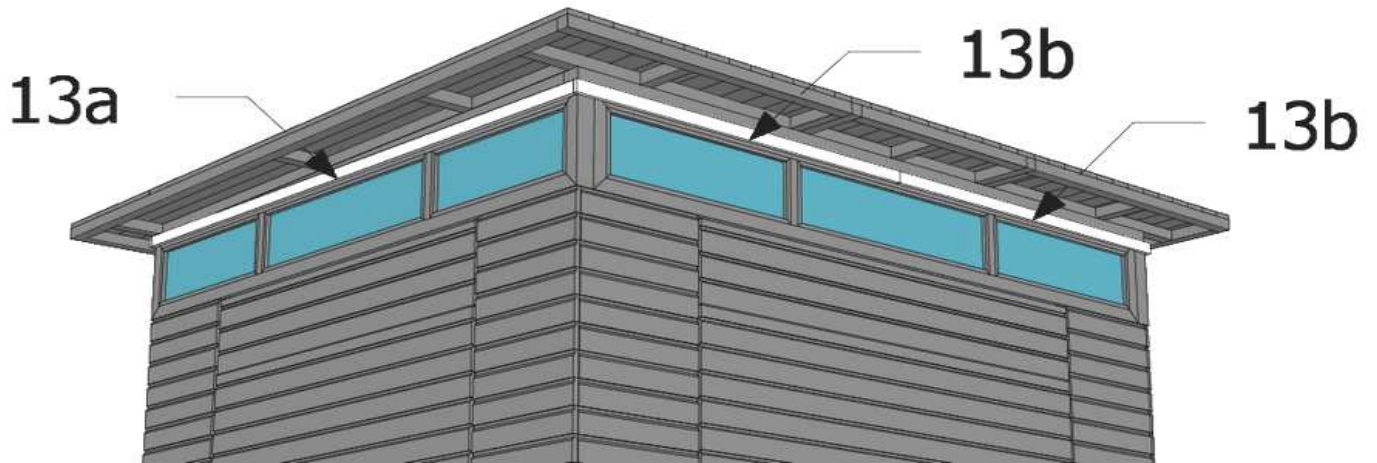


14b	+	14a	3,5 x 40	12
------------	---	------------	-----------------	-----------

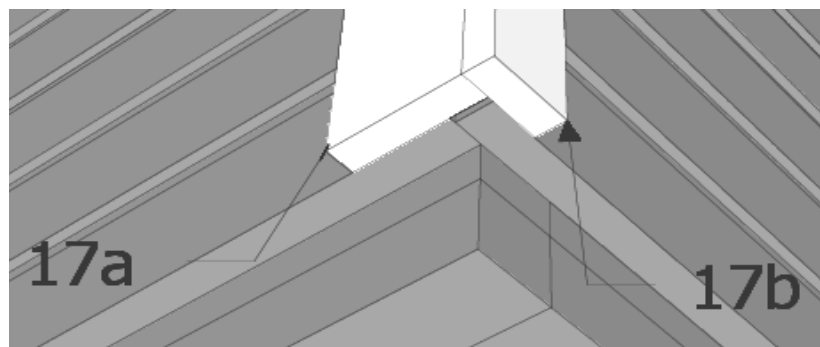
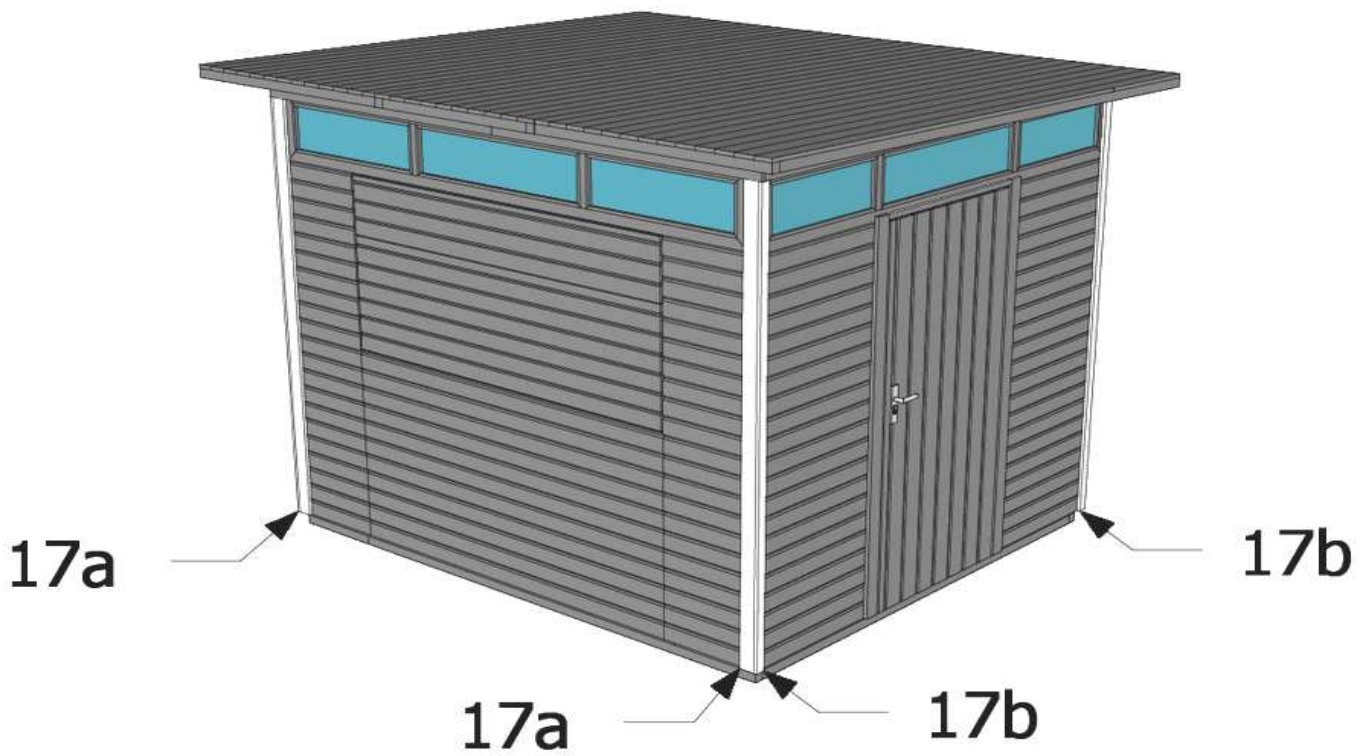
Lux-stall

Assembly instruction

11/15



13a	+	13b	3,5 x 40	20
------------	---	------------	-----------------	-----------

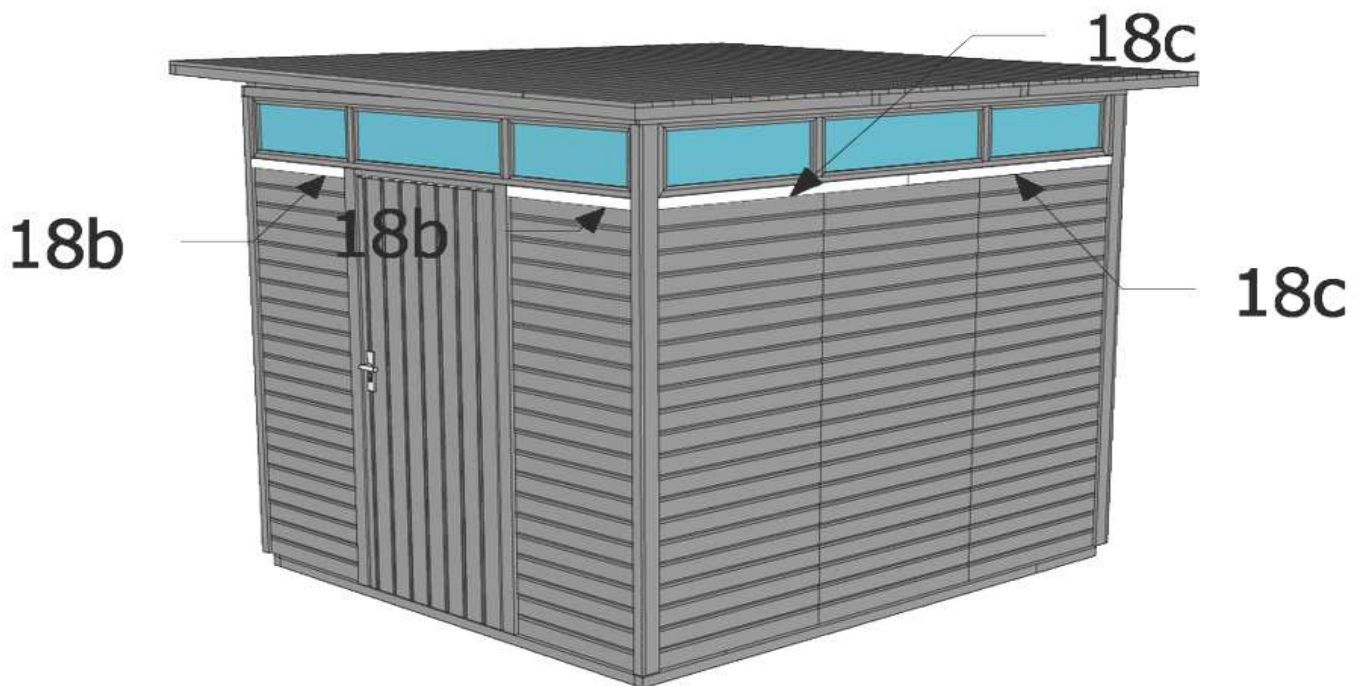
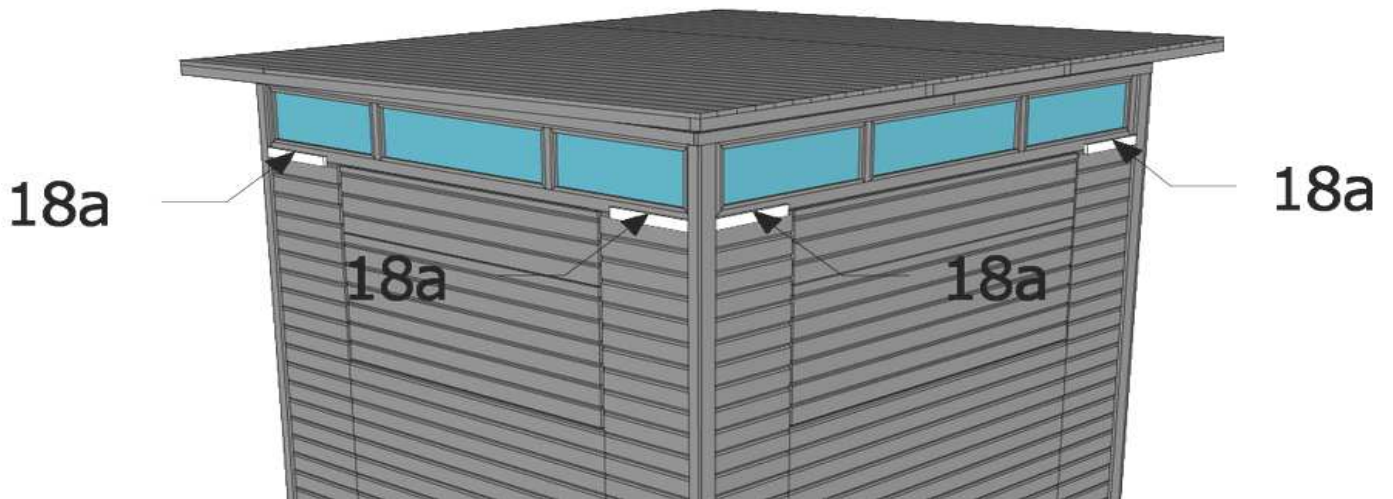


17a	+	17b	3,5 x 40	32
------------	---	------------	-----------------	-----------

Lux-stall

Assembly instruction

12/15

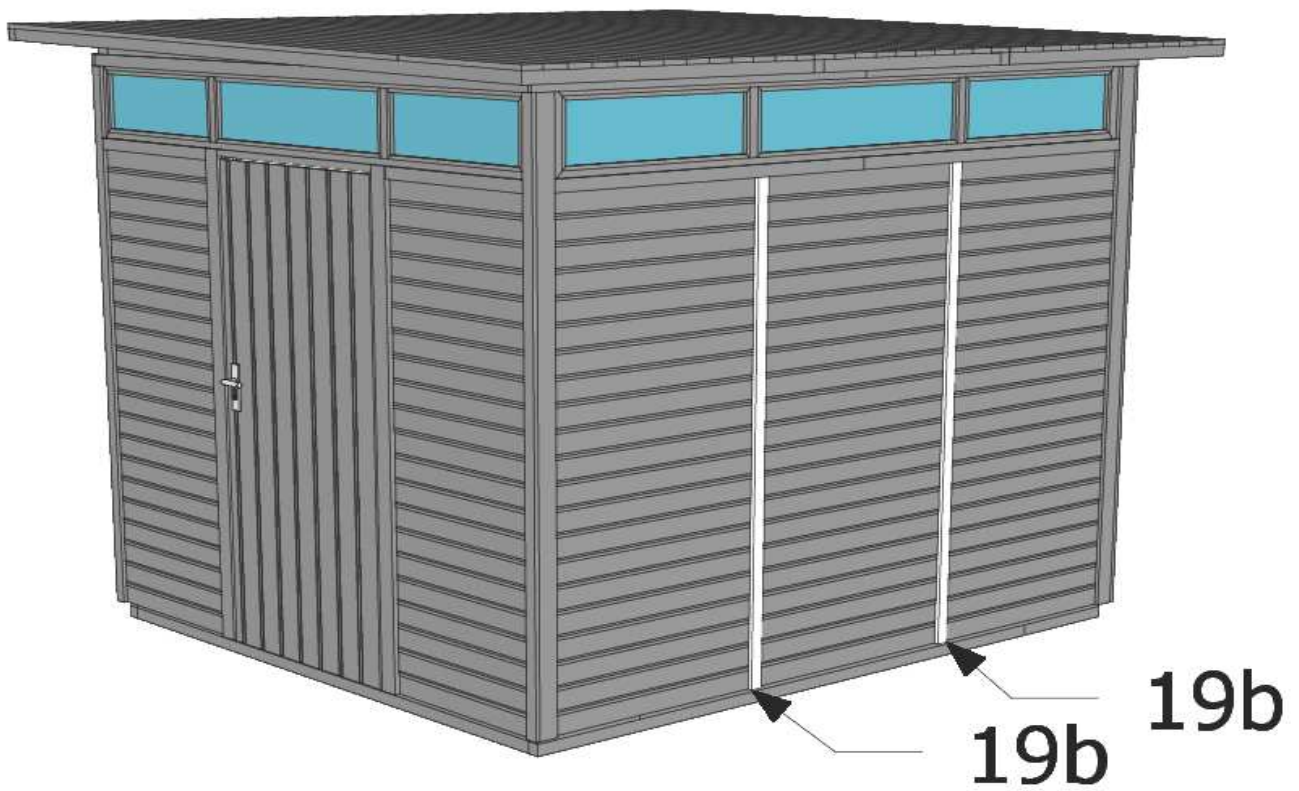
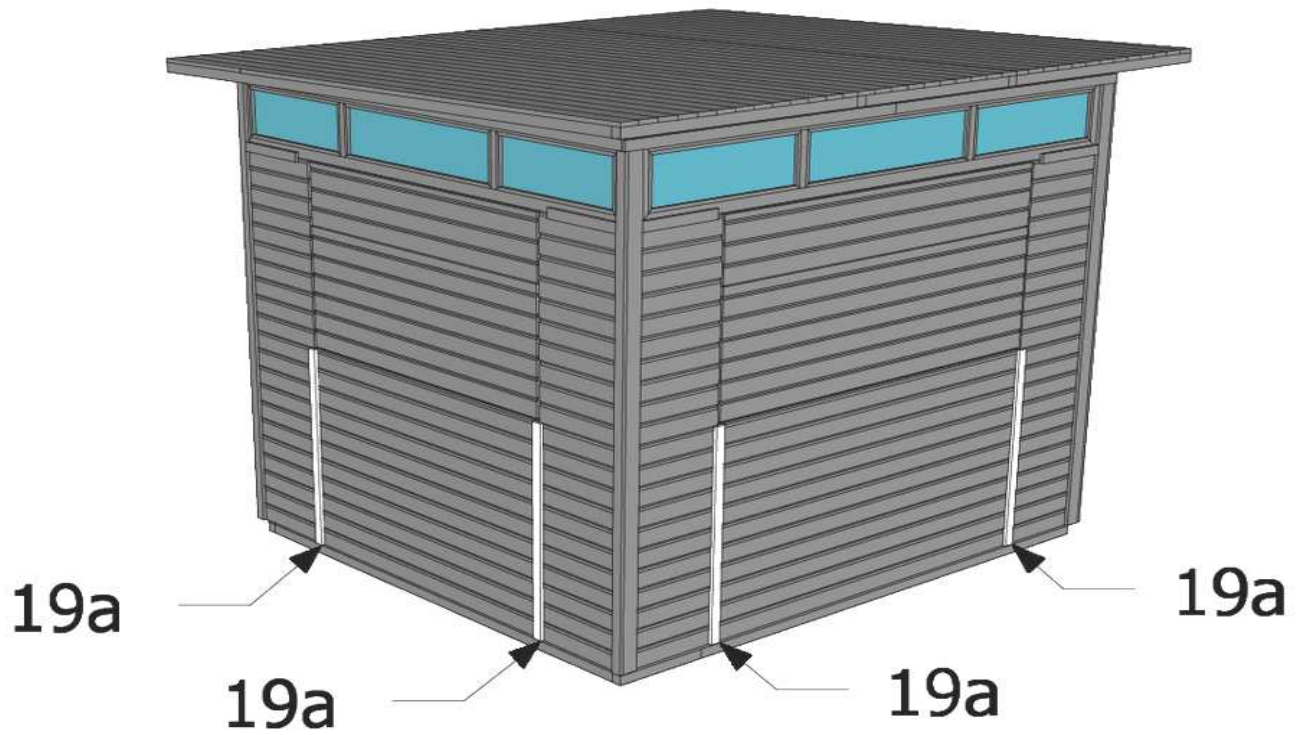


18a	+	18b	+	18c	3,5 x 40	20
------------	---	------------	---	------------	-----------------	-----------

Lux-stall

Assembly instruction

13/15

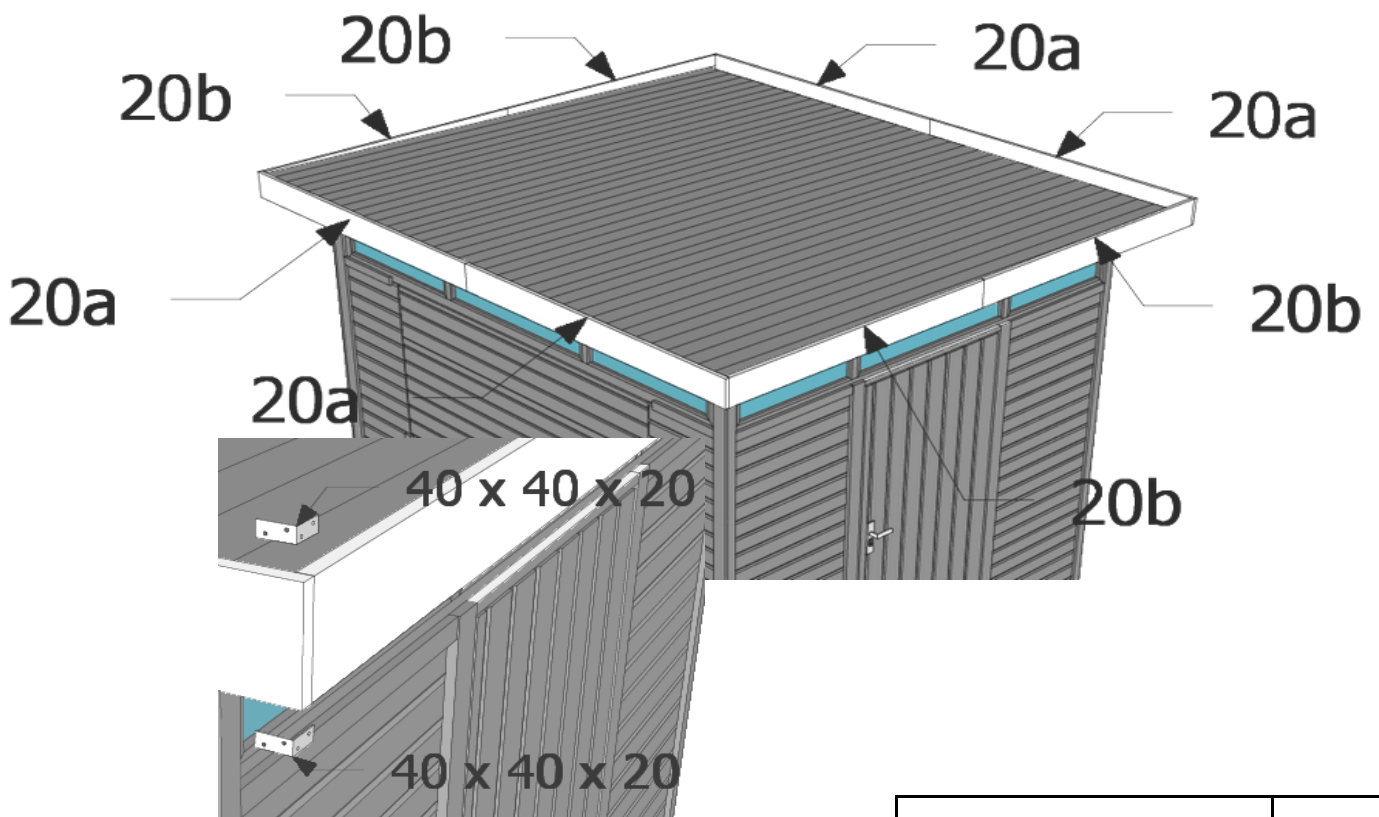
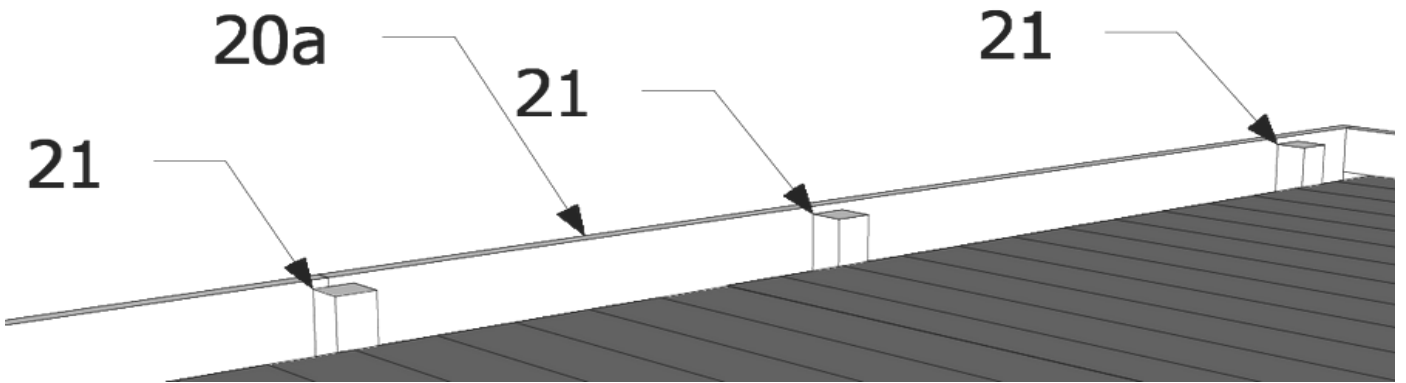


19a	+	19b	3,5 x 40	20
------------	---	------------	-----------------	-----------

Lux-stall

Assembly instruction

14/15



front / vordere Rand → **20a** + **20a**

corners / Ecken → **20a 20b**

back / hinter → + **21**

+ **20a** + **20b**

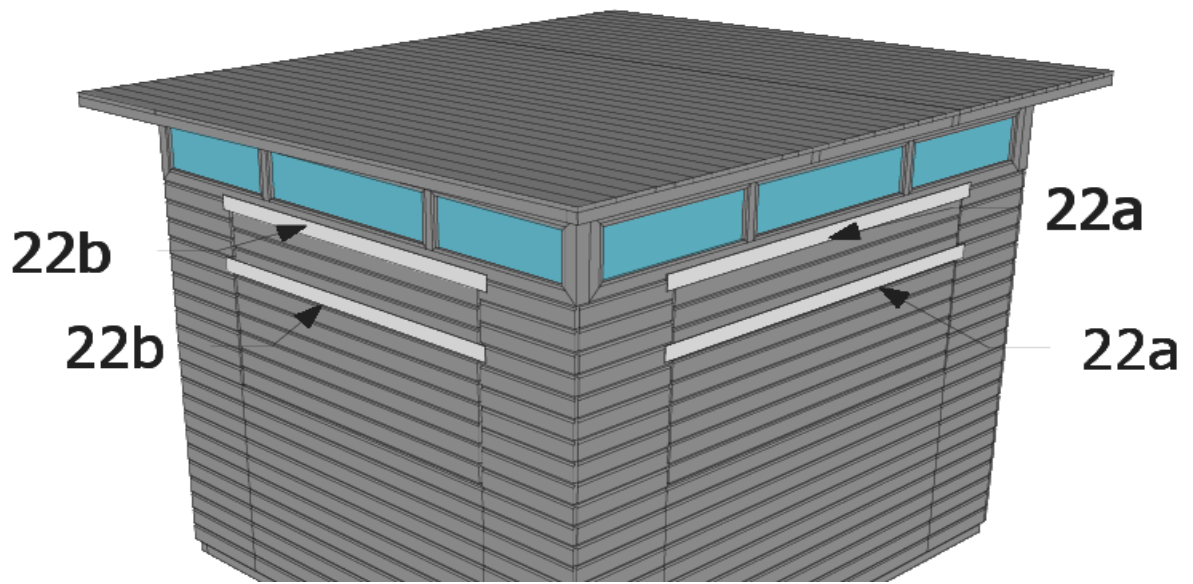
back / hinter → **21** + **20a**

20 x 80	2
3,5 x 16	8
40 x 40 x 20	8
3,5 x 16	32
4,5 x 80	10
3,5 x 50	32
4 x 60	12

Lux-stall

Assembly instruction

15/15



+ **22a** + **22b**

3,5 x 40 *)	26
--------------------	-----------

*) - with washer / mit Scheibe