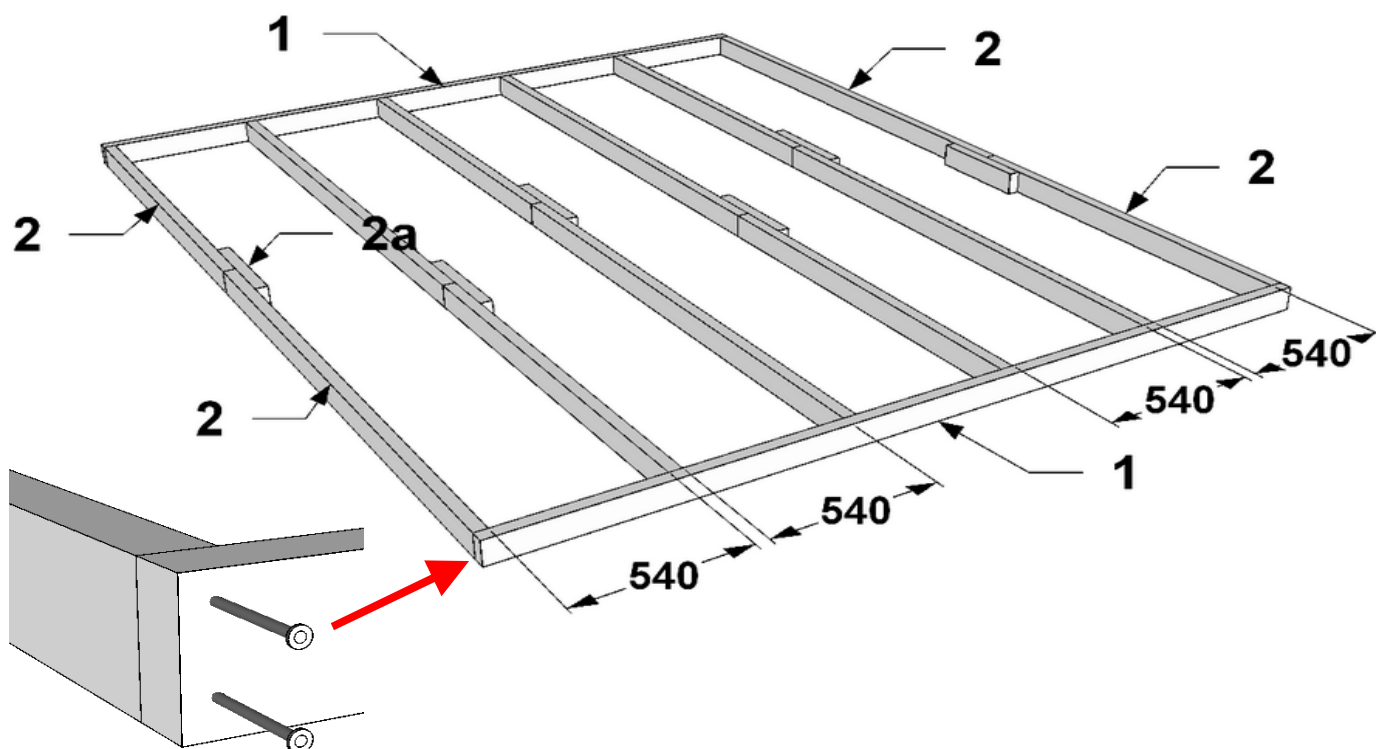


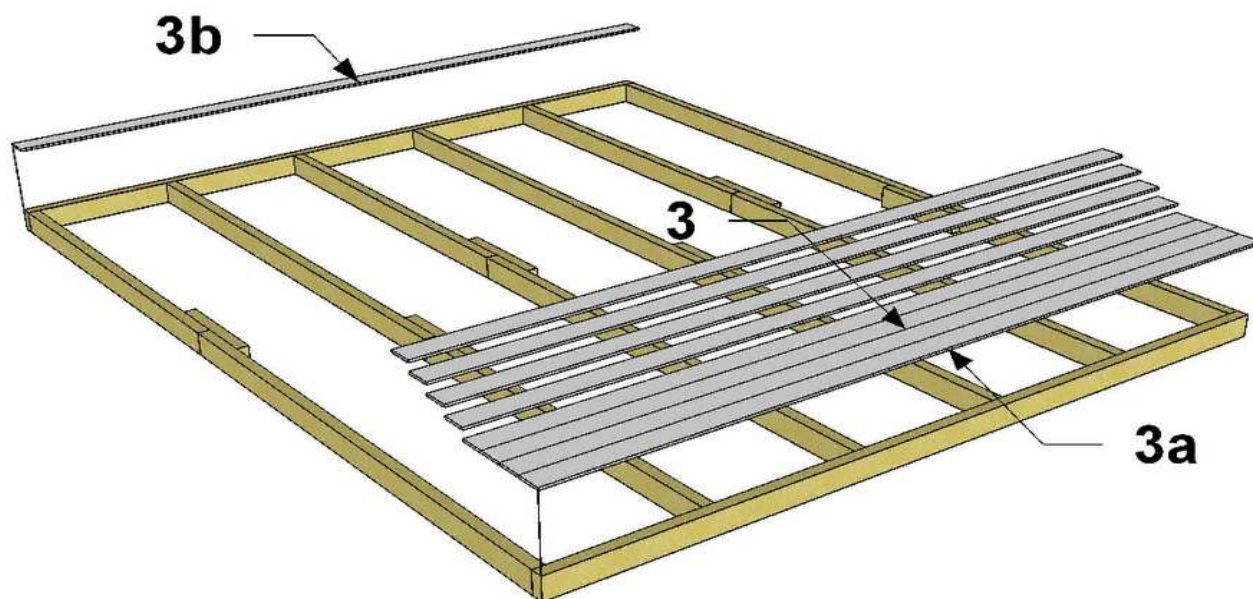
COMBISHED 300 x 360 cm.-0,9 (floor beams 44x94)

Assembly instruction

1/8



2	+	2	(2a)	+	1	4,5 x 80	48
----------	---	----------	-------------	---	----------	-----------------	-----------

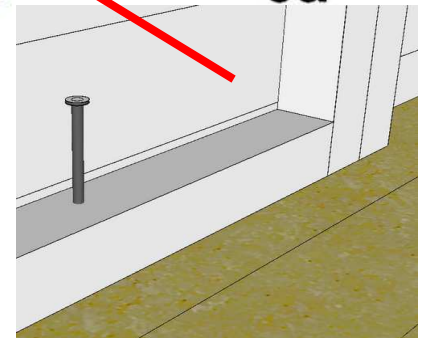
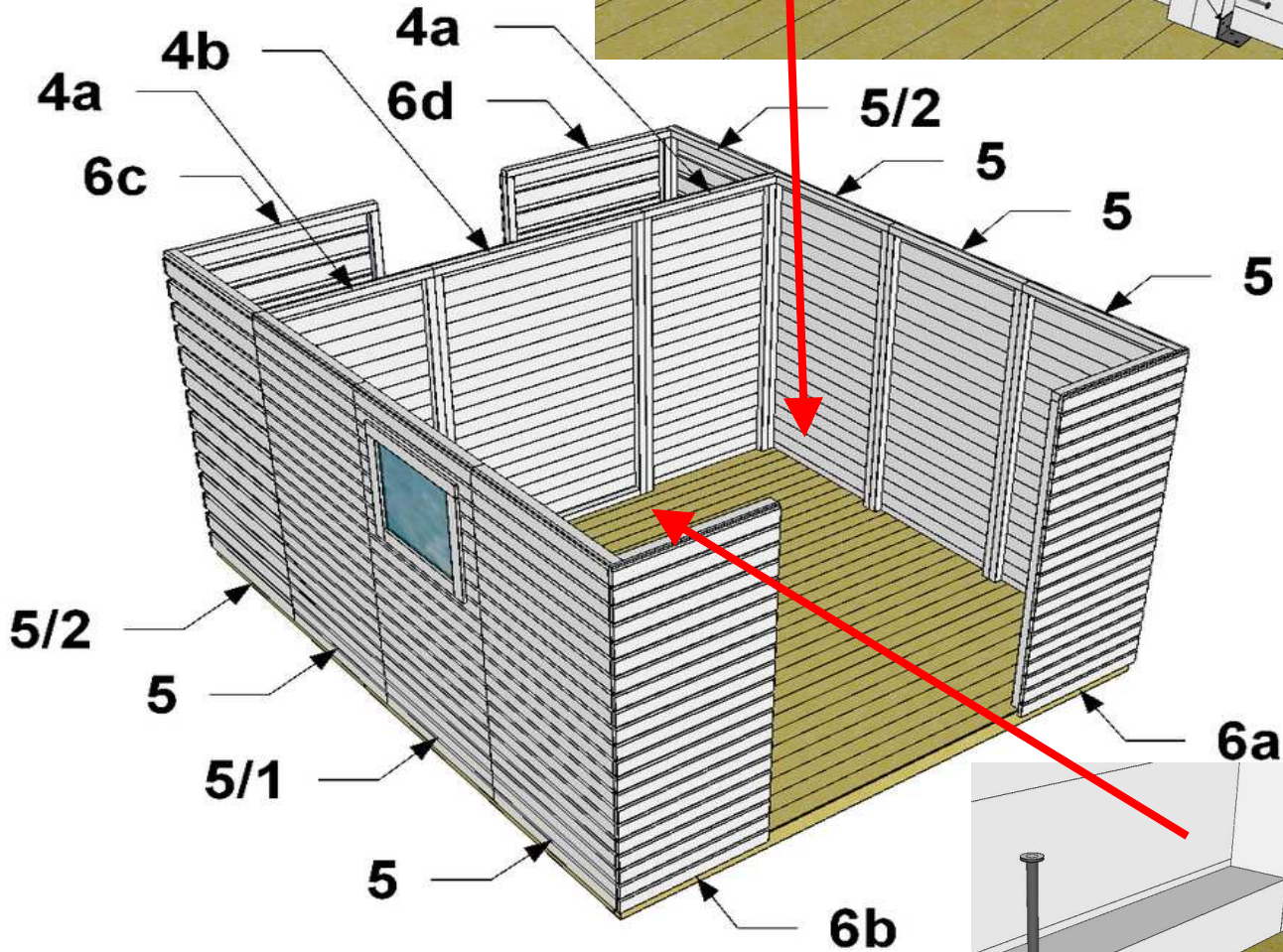
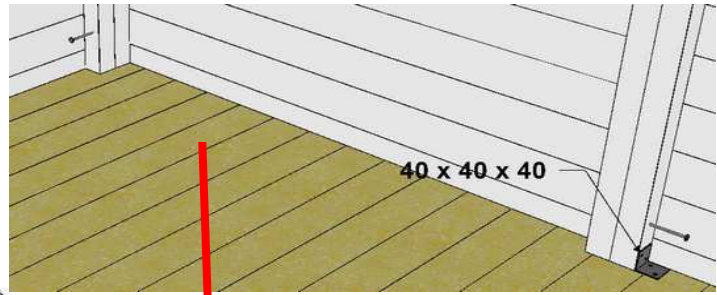


3a	+	3	+	3b	2 x 50	244
-----------	---	----------	---	-----------	---------------	------------

COMBISHED 300 x 360 cm.-0,9 (floor beams 44x94)

Assembly instruction

2/8



5 + **4a** + **4b** + **4a**

+ **5** + **5/1** + **5** +

6b + **5** + **5** + **6a**

+ **5/2** + **6d** + **5/2** +

5 **5** **5** **5** **6a** **5** **5/1**

5 **5/1** **6b** **4a** **4b** **4a** **4b**

6c **6d** + **base**

4,5 x 80	56
----------	----

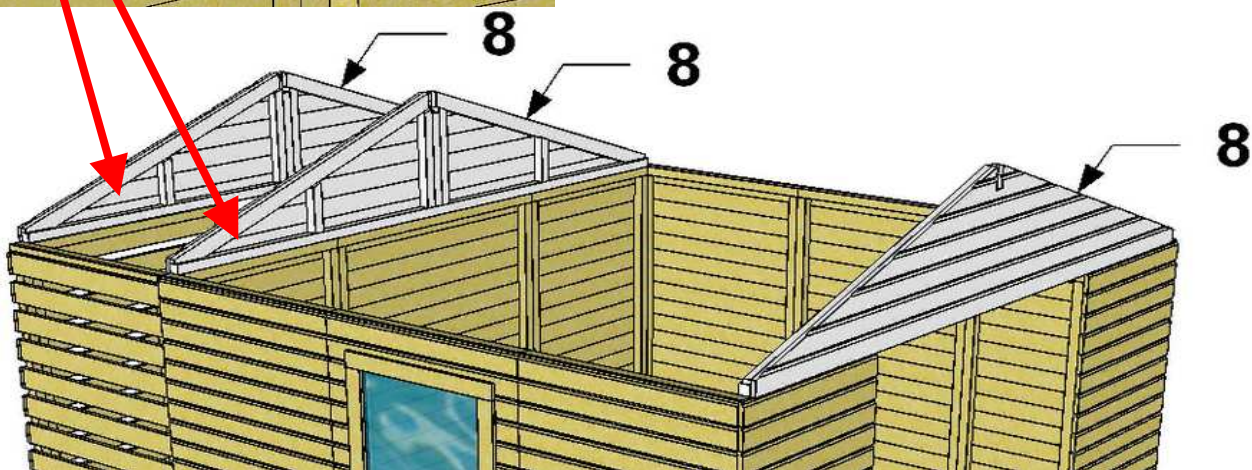
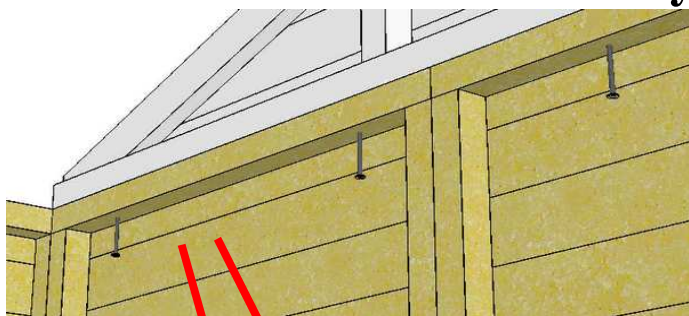
6d

4,5 x 80	2
40 x 40 x 40	9
3,5 x 40	56

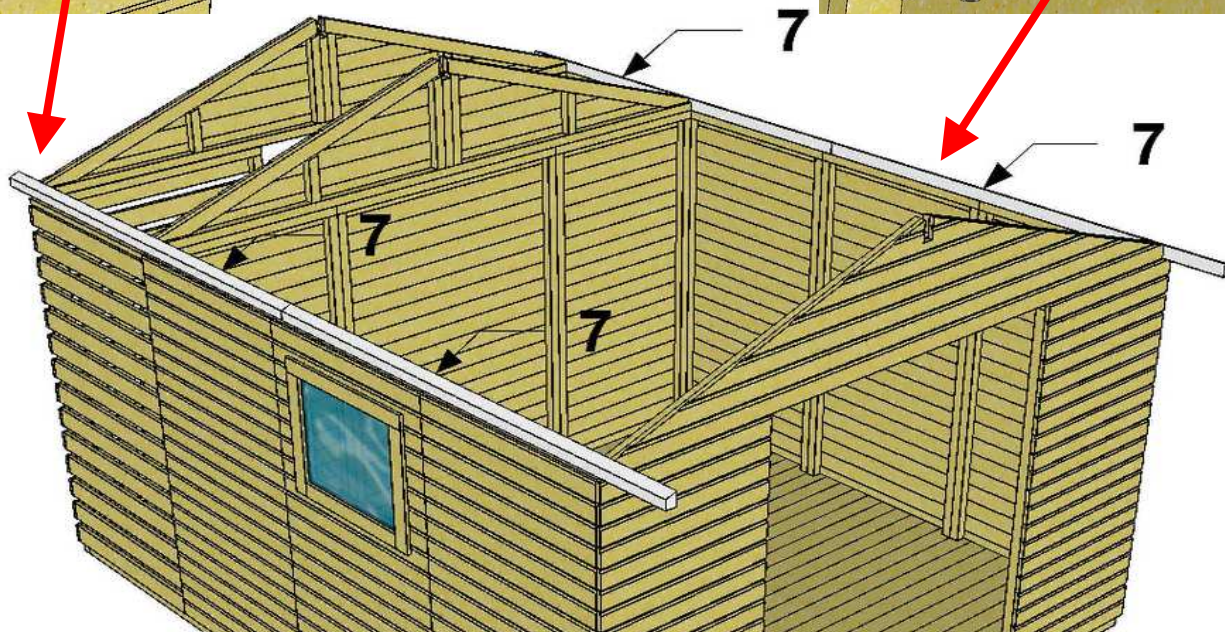
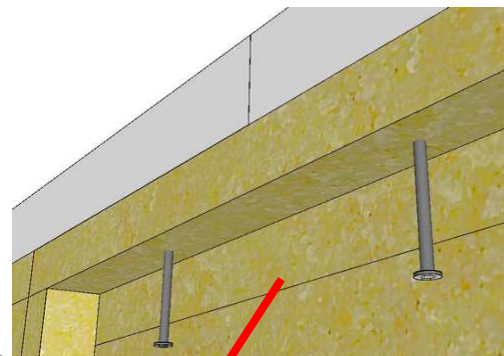
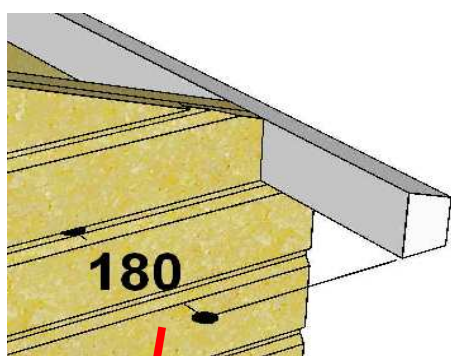
COMBISHED 300 x 360 cm.-0,9 (floor beams 44x94)

Assembly instruction

3/8



+	8	4,5 x 80	16
---	----------	-----------------	-----------

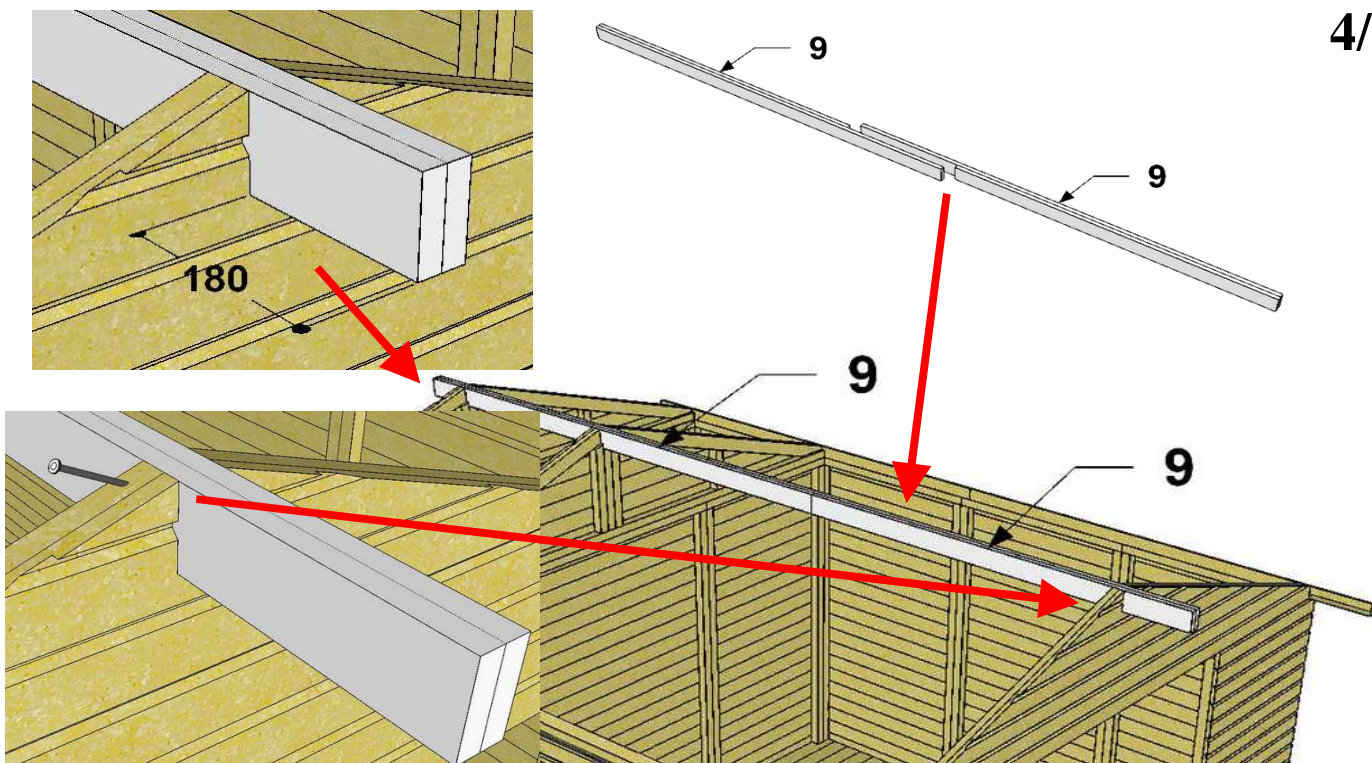


+	7	4,5 x 80	16
---	----------	-----------------	-----------

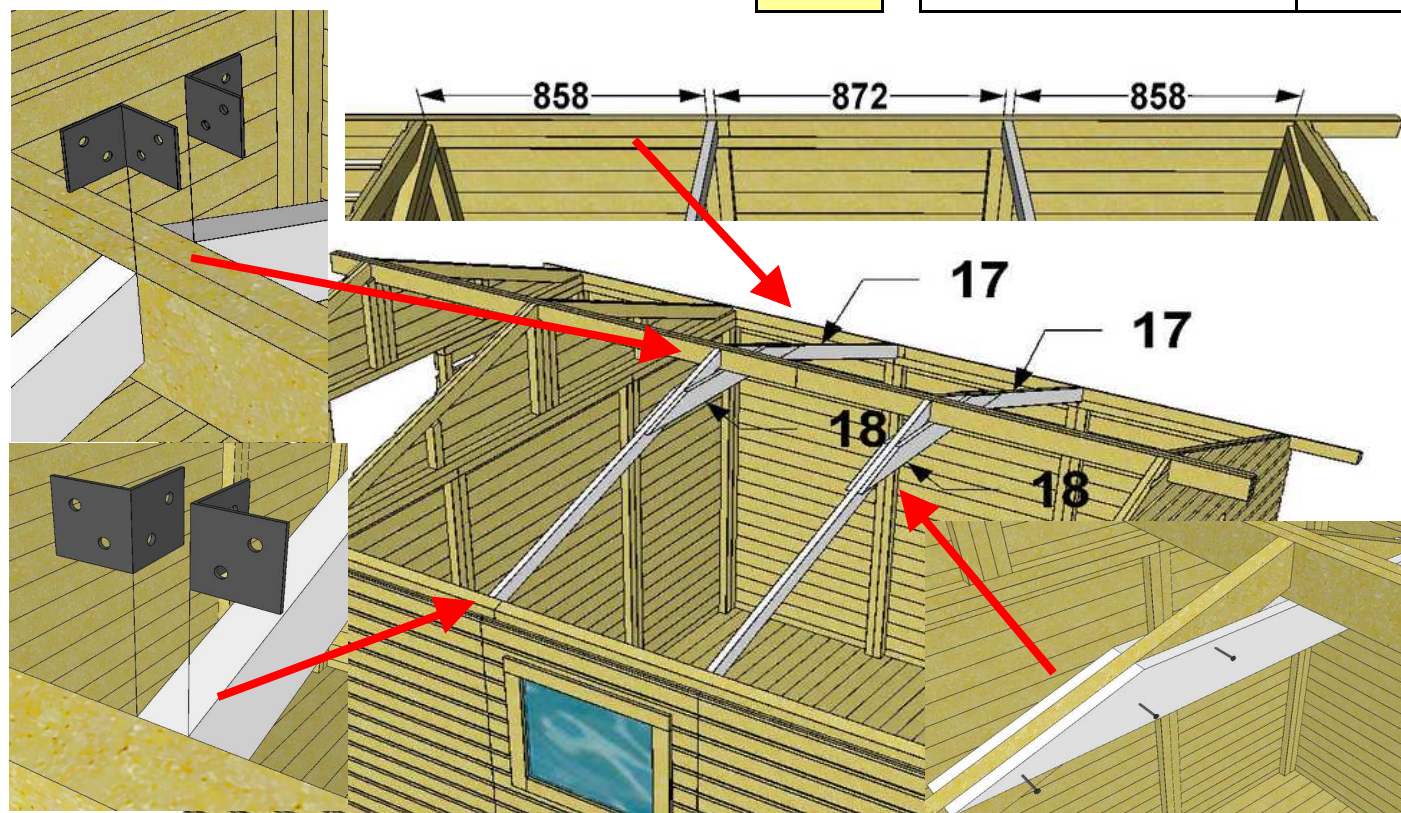
COMBISHED 300 x 360 cm.-0,9 (floor beams 44x94)

Assembly instruction

4/8



9	+	9	3,5 x 40	8
	+	9	4,5 x 80	3

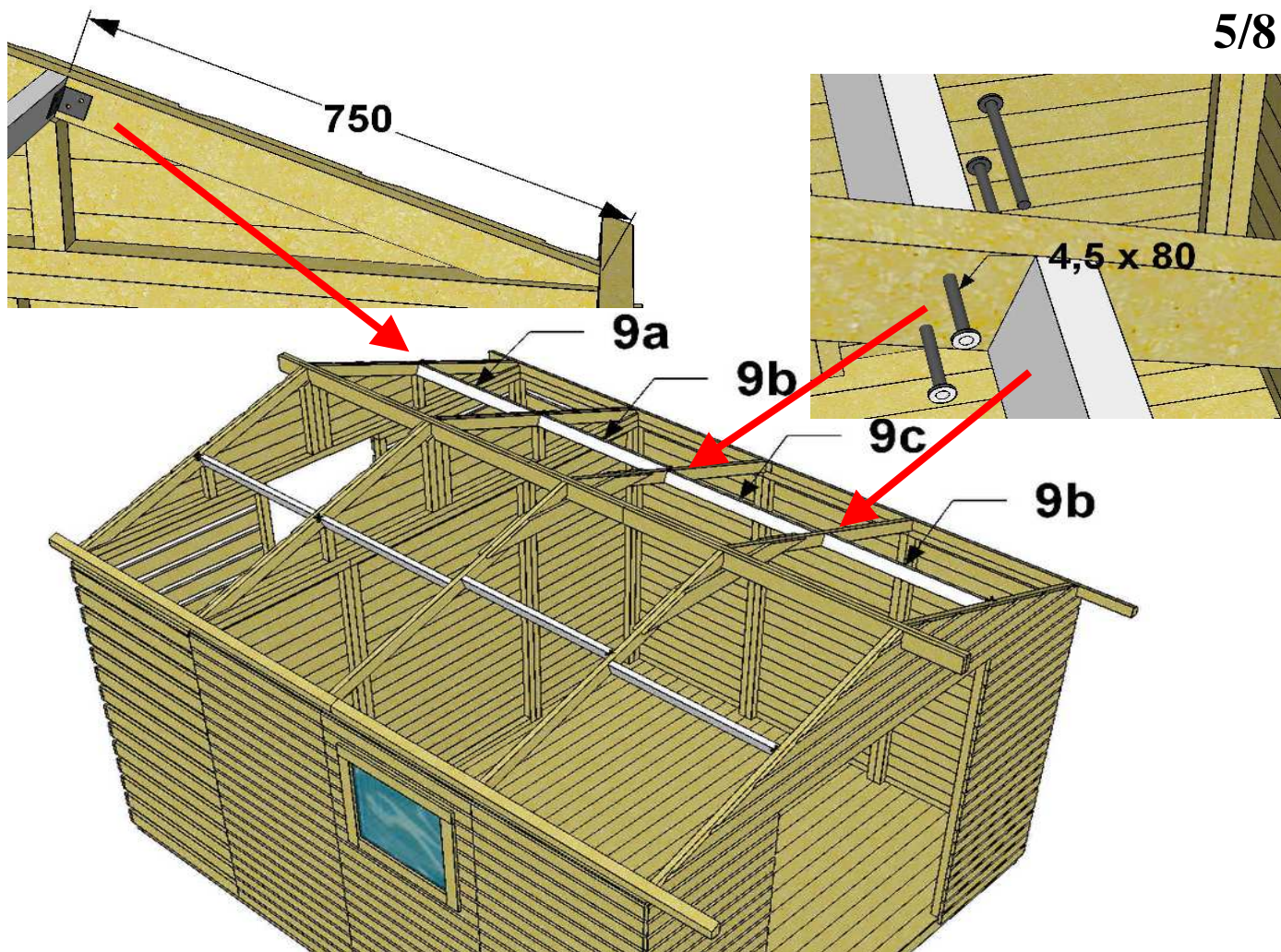


	+	17	+	18	40 x 40 x 40	12
					3,5 x 25	36
					3,5 x 40	60

COMBISHED 300 x 360 cm.-0,9 (floor beams 44x94)

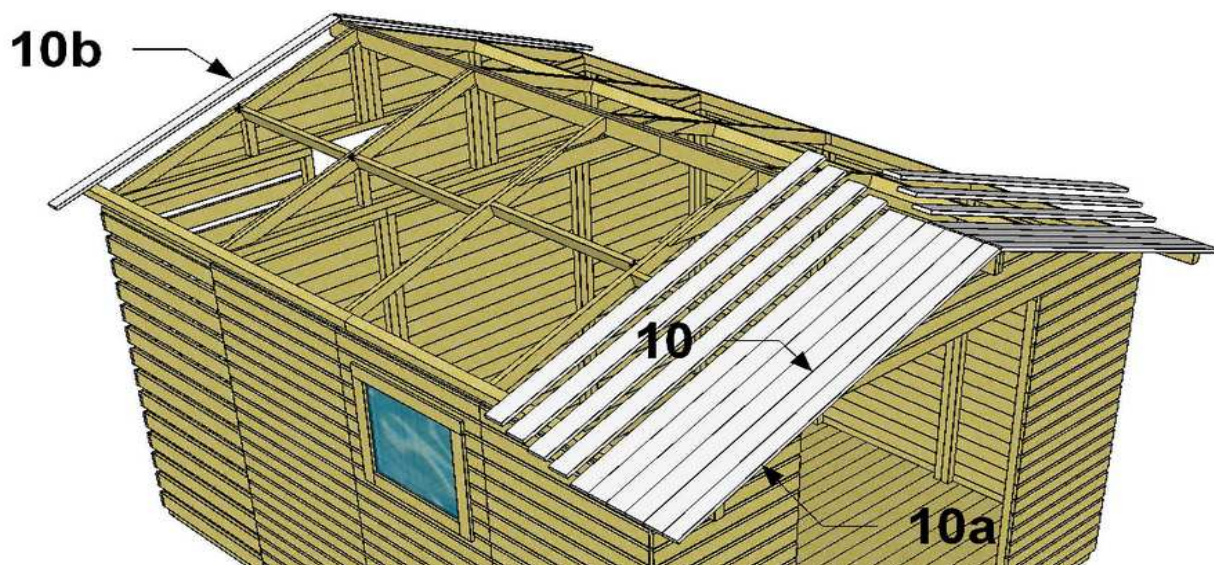
Assembly instruction

5/8



+ **9a** + **9b** + **9c**

40 x 40 x 40	10
3,5 x 25	60
4,5 x 80	20



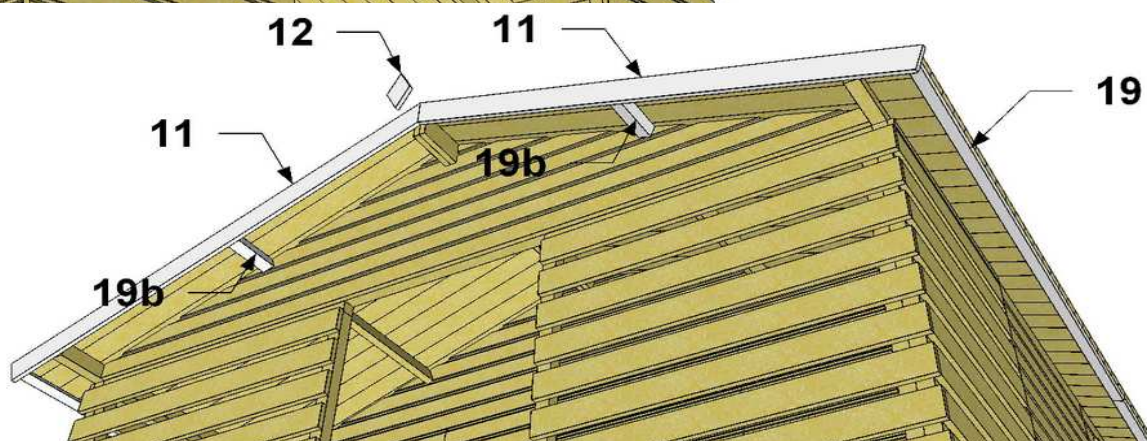
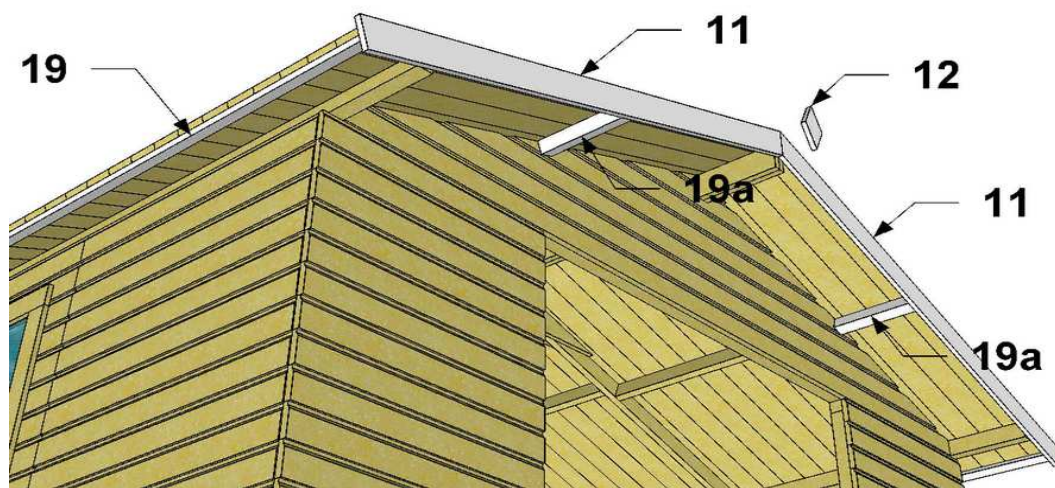
10a + **10** + **10b**

2 x 50	276
--------	-----

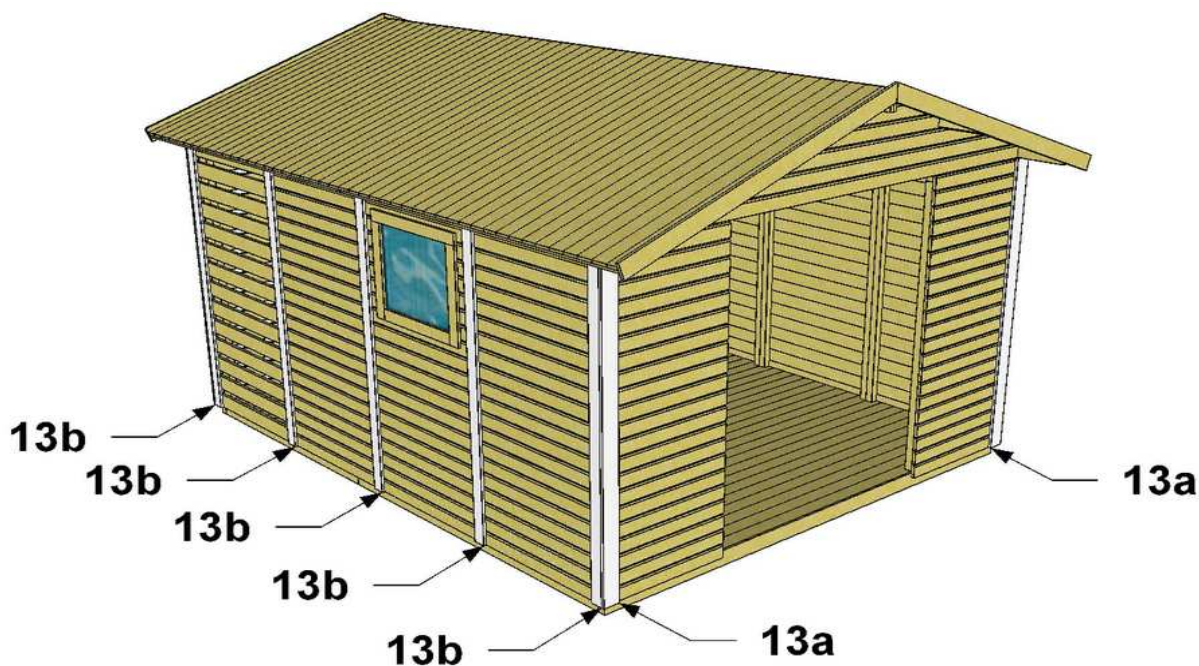
COMBISHED 300 x 360 cm.-0,9 (floor beams 44x94)

Assembly instruction

6/8



11	+	12	3,5 x 40	20	
	+	19	3,5 x 30	32	
+	19a	+	19b	4,5 x 80	8

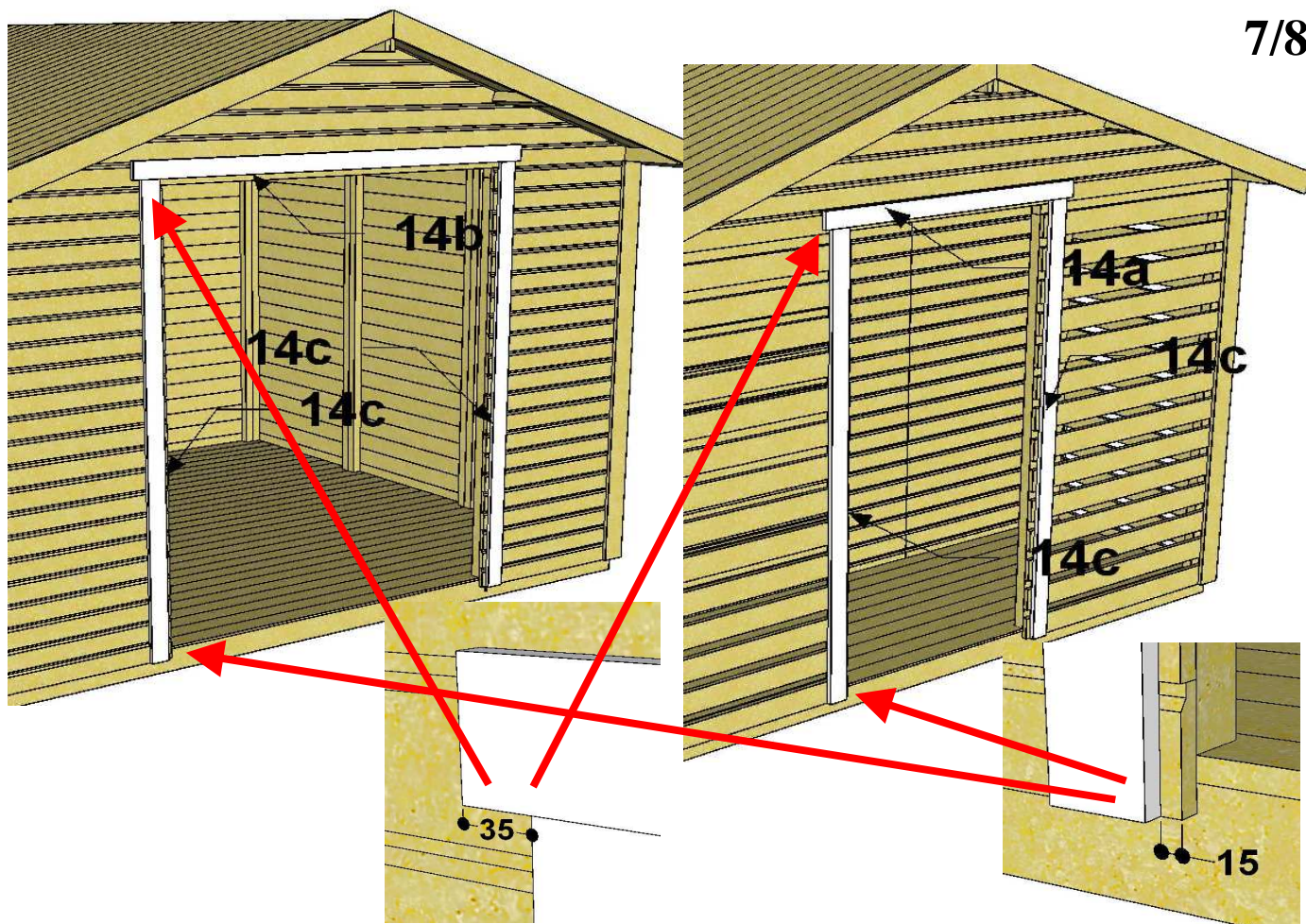


13a	+	13b	3,5 x 40	42
------------	---	------------	-----------------	-----------

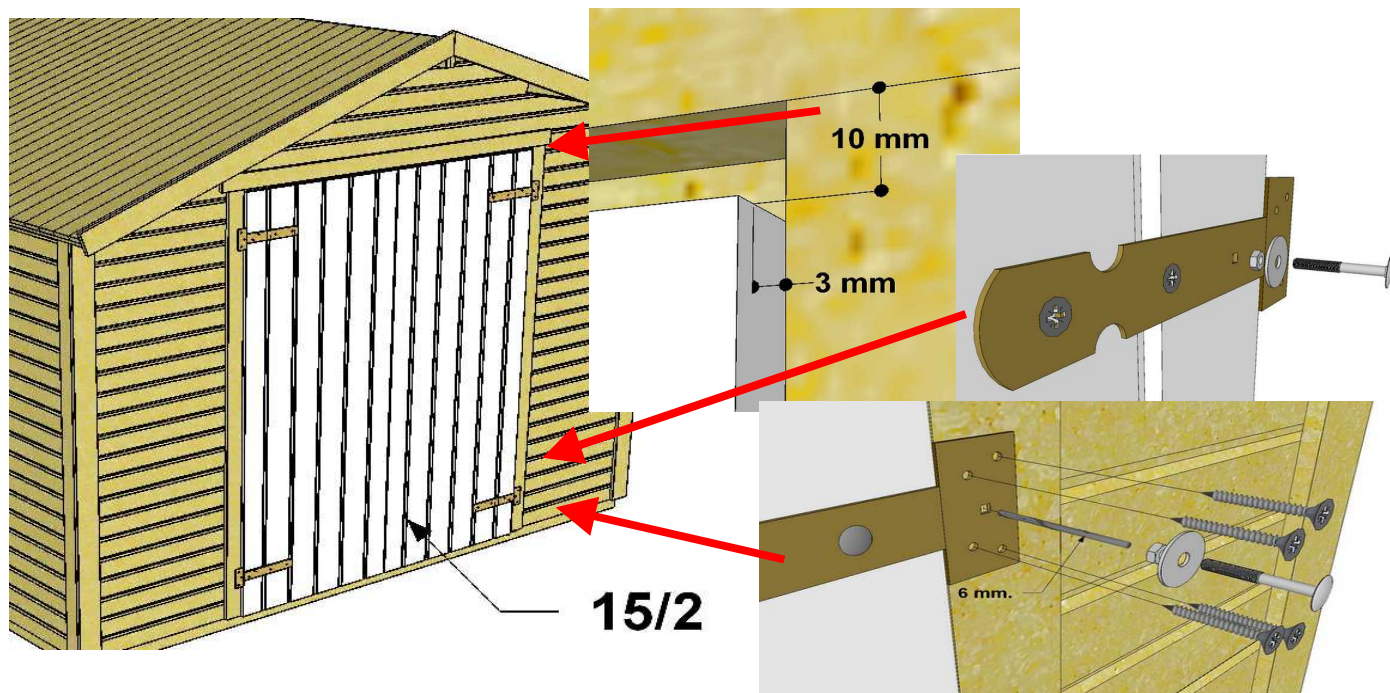
COMBISHED 300 x 360 cm.-0,9 (floor beams 44x94)

Assembly instruction

7/8



+	14a	+	14b	+	14c	3,5 x 40	23
---	------------	---	------------	---	------------	-----------------	-----------

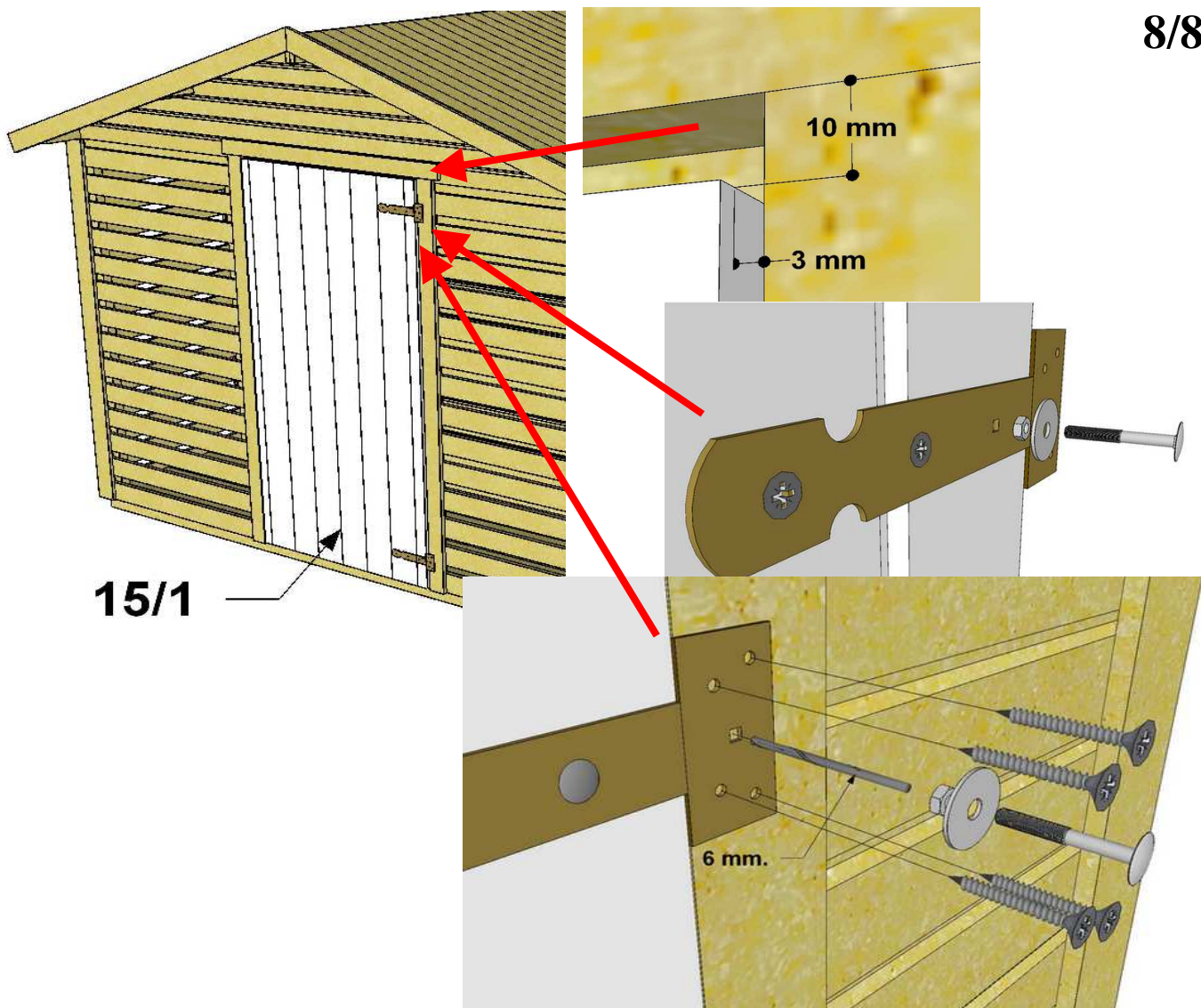


+	bolt, washer, nut	M6	à 4
+	15/2	bolt, washer, nut M6	à 4
		3,5 x 40	16

COMBISHED 300 x 360 cm.-0,9 (floor beams 44x94)

Assembly instruction

8/8



+ bolt, washer, nut

M6

à 2

+ **15/1**

bolt, washer, nut M6

à 2

3,5 x 40

8

+ **16**

3,5 x 30

16