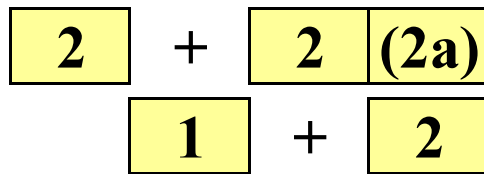
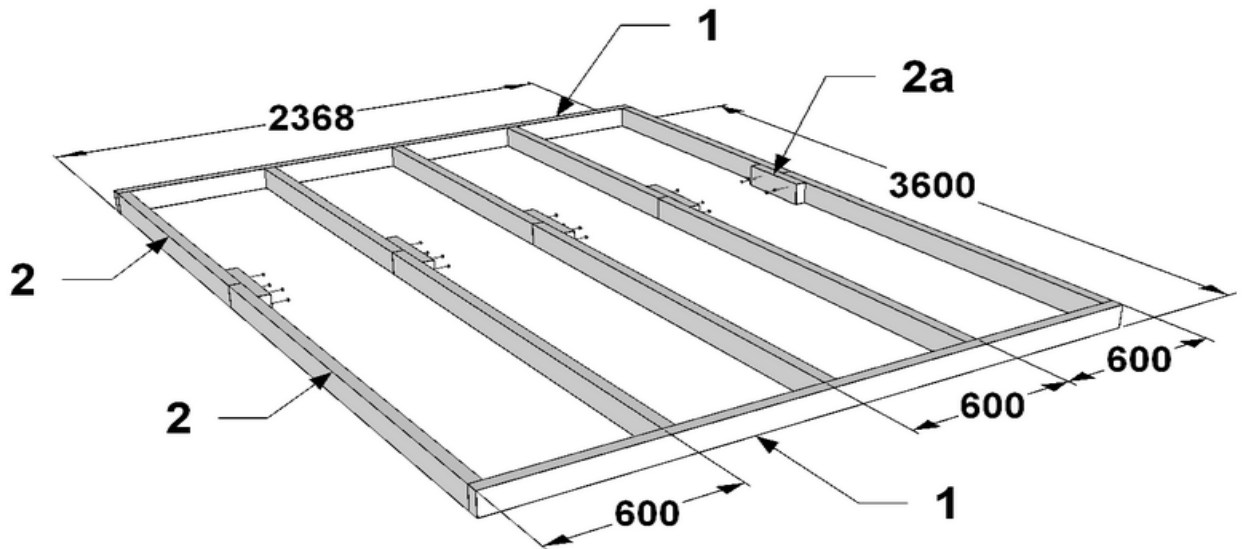


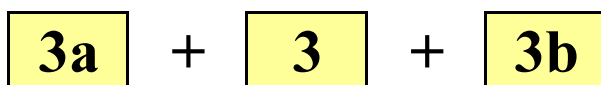
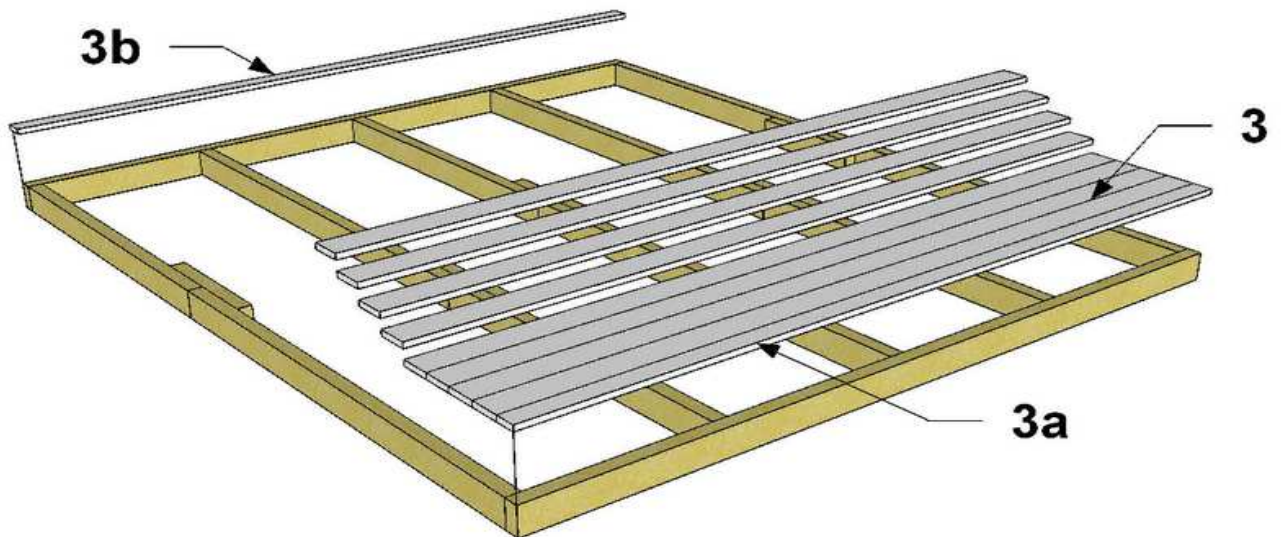
SHED 240 x 360 cm. (floor beams 44x94)

Assembly instruction

1/9



4,5 x 80	20
4,5 x 80	20

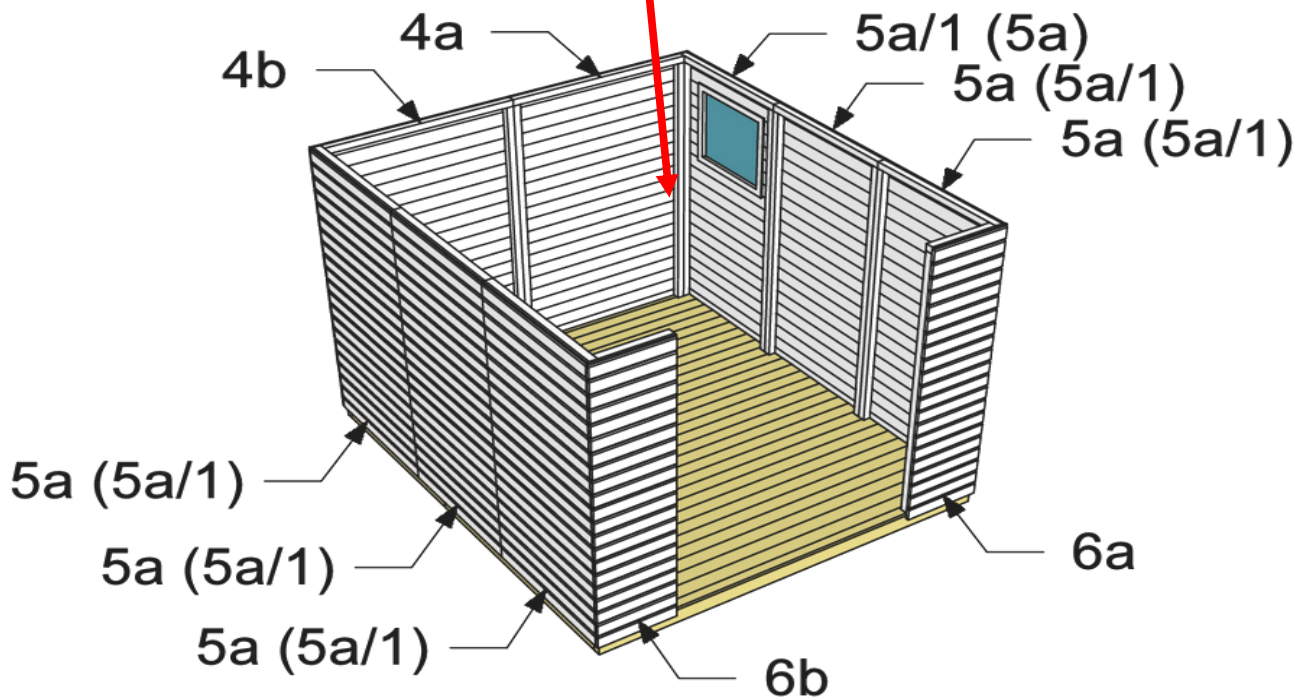
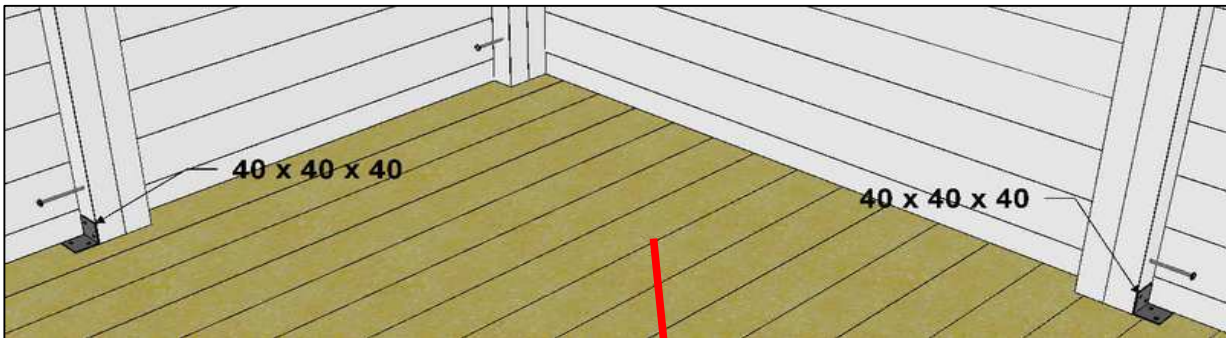


2 x 50	160
--------	-----

SHED 240 x 360 cm. (floor beams 44x94)

Assembly instruction

2/9



5a/1 + **4a** + **4b** + **5a**

+ **5a** + **5a** + **6b**

+ **5a** + **5a** + **6a**

4,5 x 80	36
----------	----

4a **4b** **5a/1** **5a** **5a** **5a**

5a **5a** **5a** **5a** **6a** **6b**

40 x 40 x 40	7
--------------	---

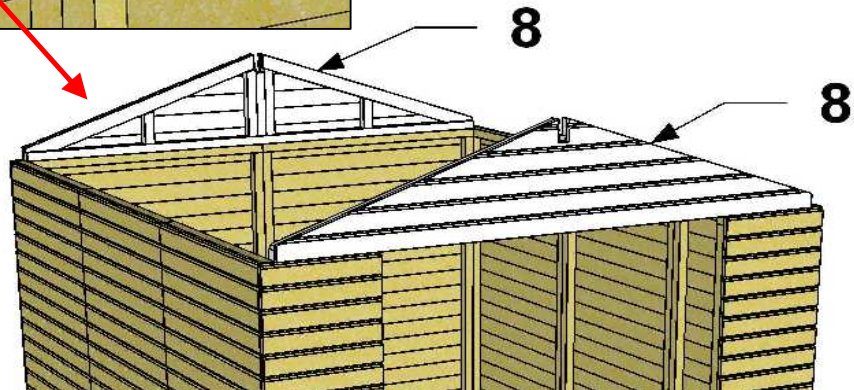
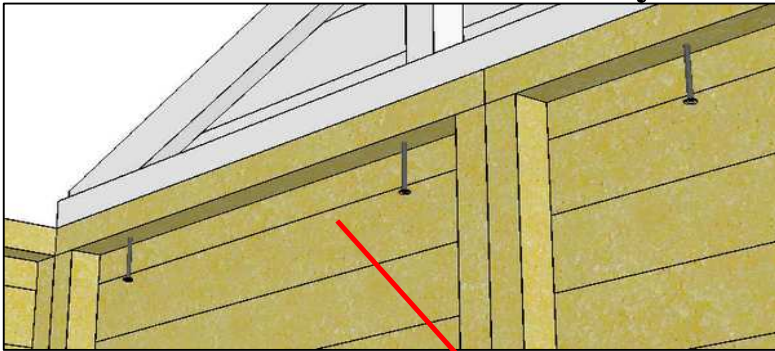
+ **base**

3,5 x 40	42
----------	----

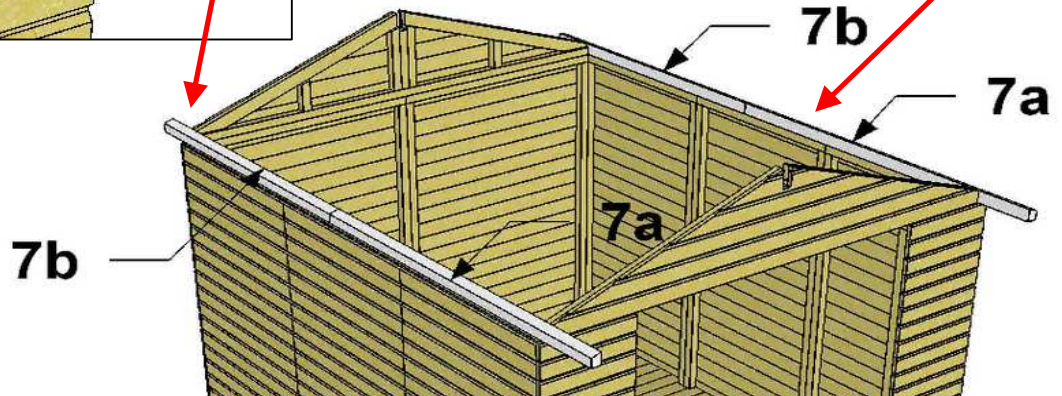
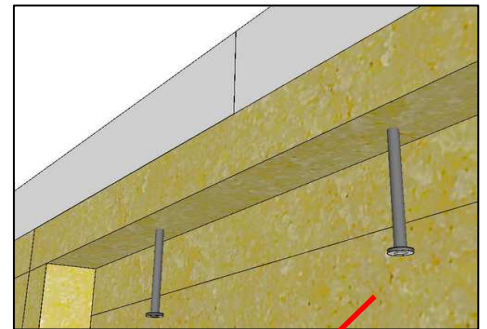
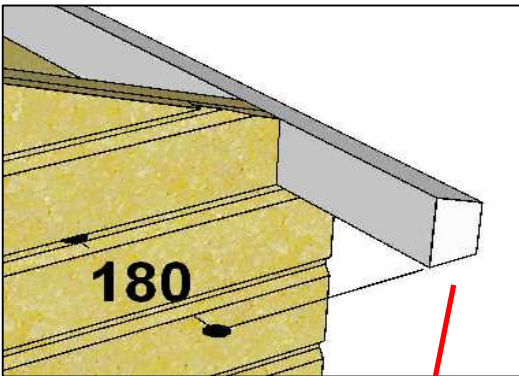
SHED 240 x 360 cm. (floor beams 44x94)

Assembly instruction

3/9



+	8	4,5 x 80	8
---	----------	-----------------	----------

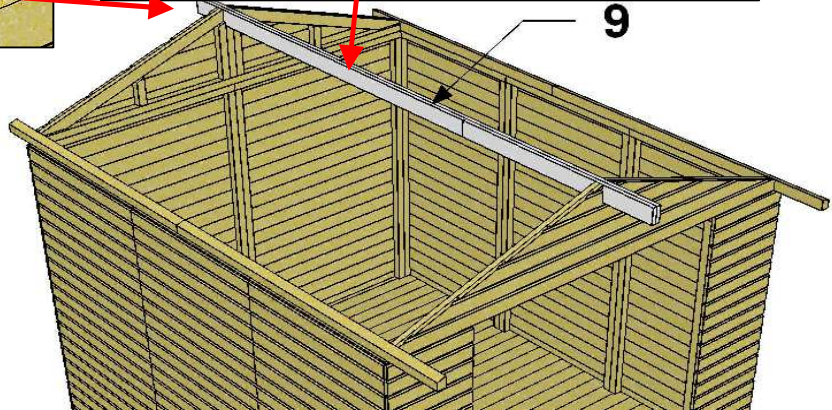
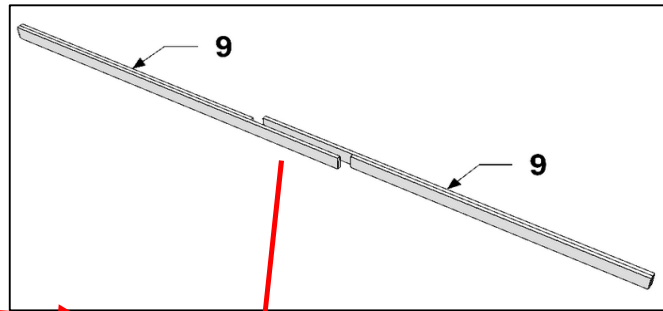
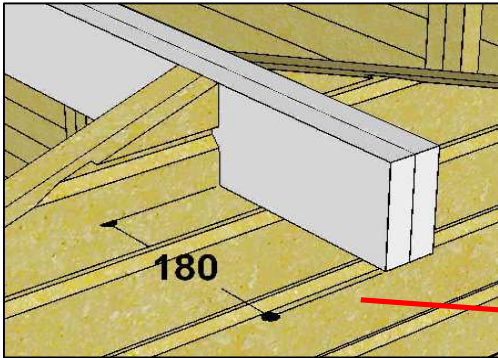


+	7b	+	7a	4,5 x 80	12
---	-----------	---	-----------	-----------------	-----------

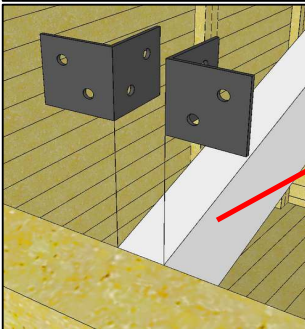
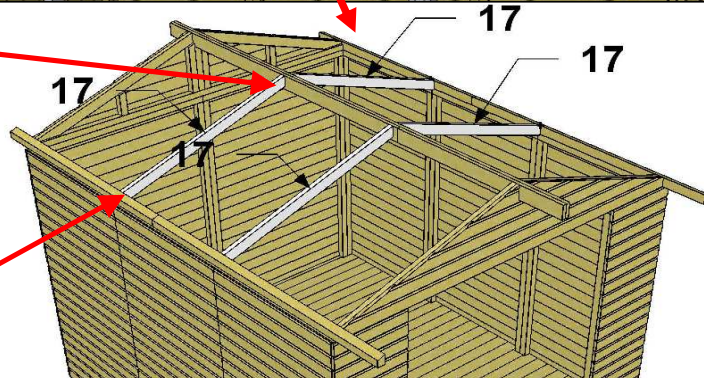
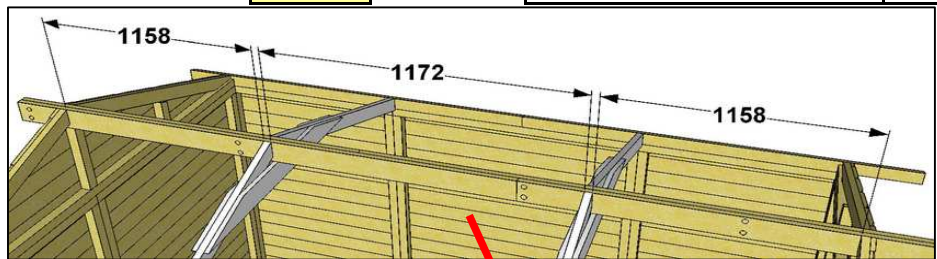
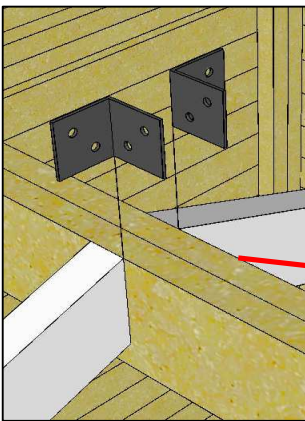
SHED 240 x 360 cm. (floor beams 44x94)

Assembly instruction

4/9



9	+	9	3,5 x 40	8
	+	9	4,5 x 80	2



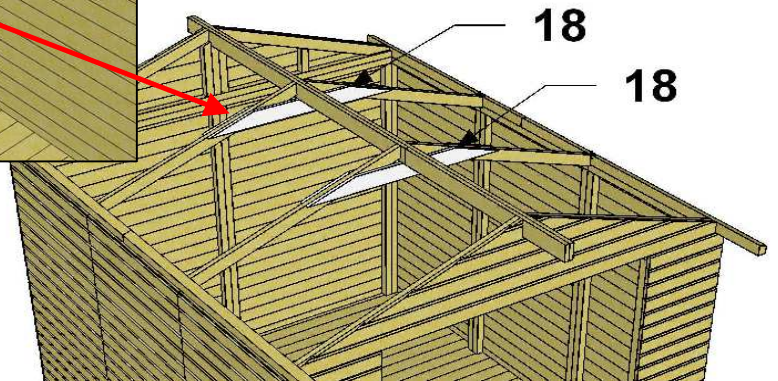
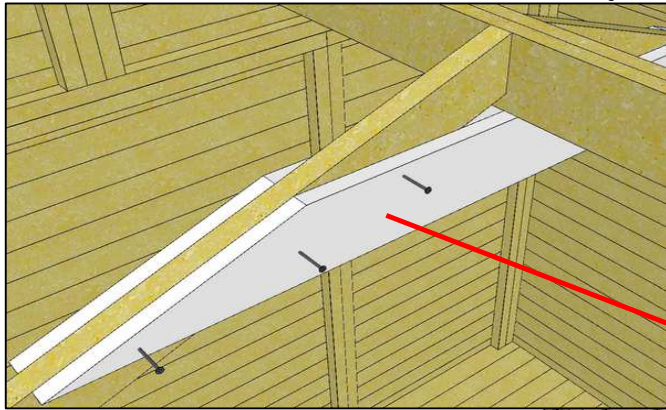
+ **17**

40 x 40 x 40	12
3,5 x 25	36
3,5 x 40	36

SHED 240 x 360 cm. (floor beams 44x94)

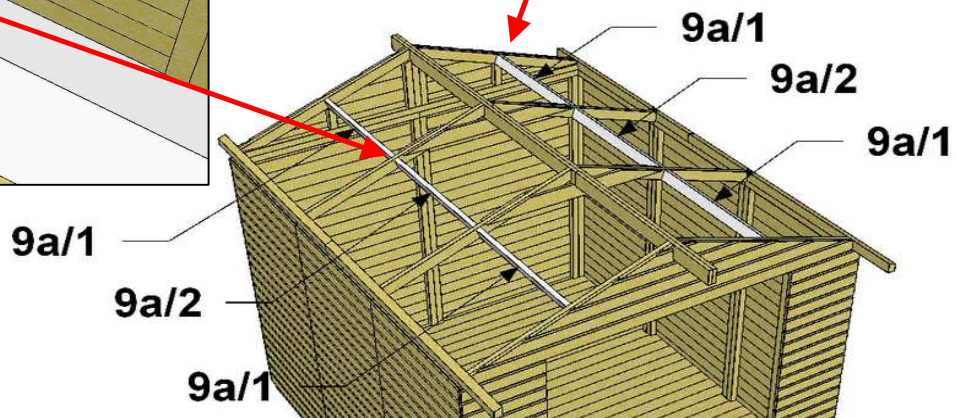
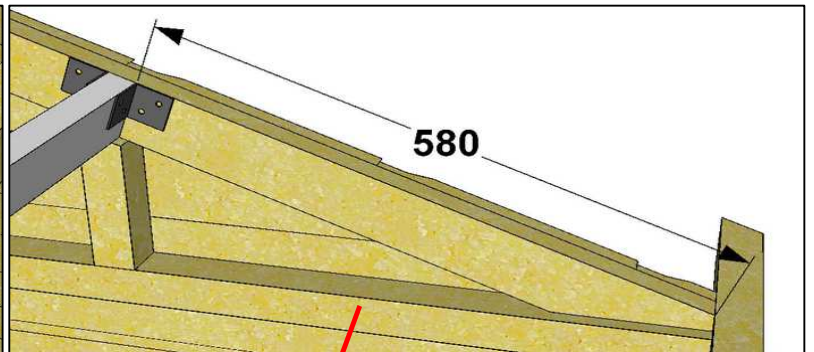
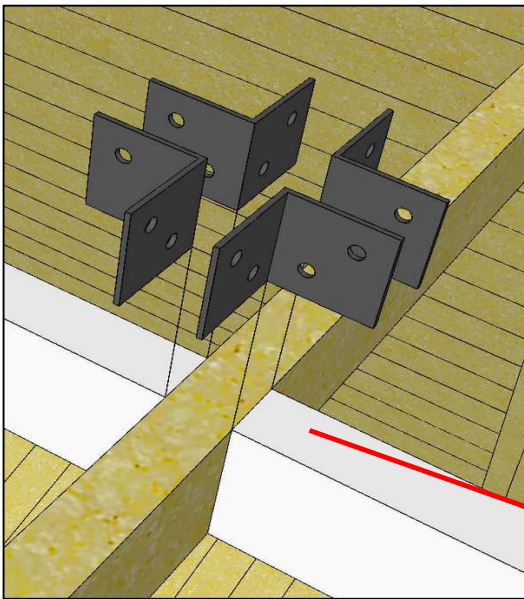
Assembly instruction

5/9



+ **18**

3,5 x 40	24
----------	----



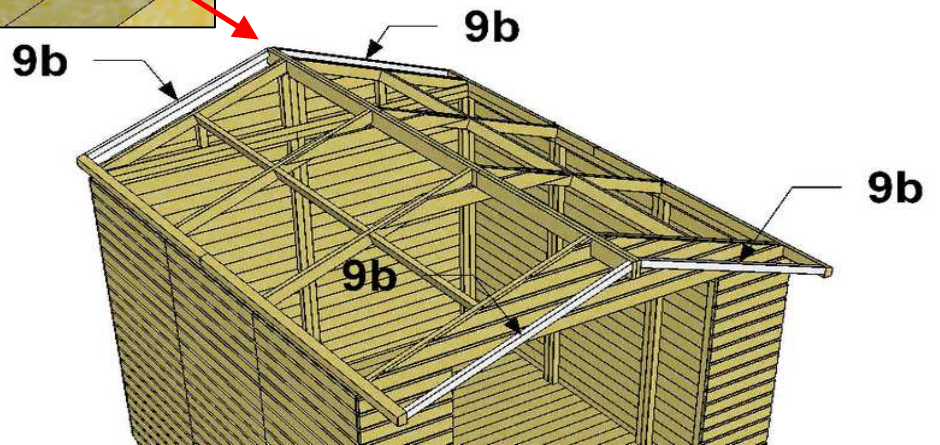
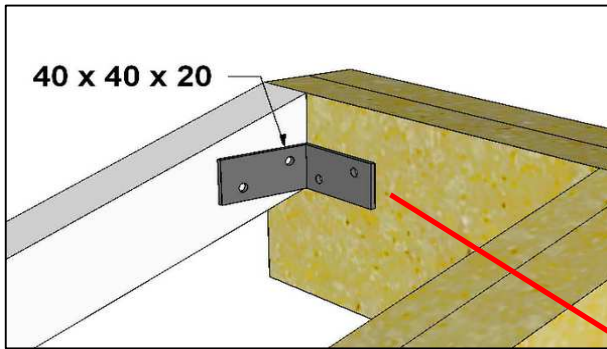
+ **9a/1** + **9a/2**

40 x 40 x 40	24
3,5 x 25	144

SHED 240 x 360 cm. (floor beams 44x94)

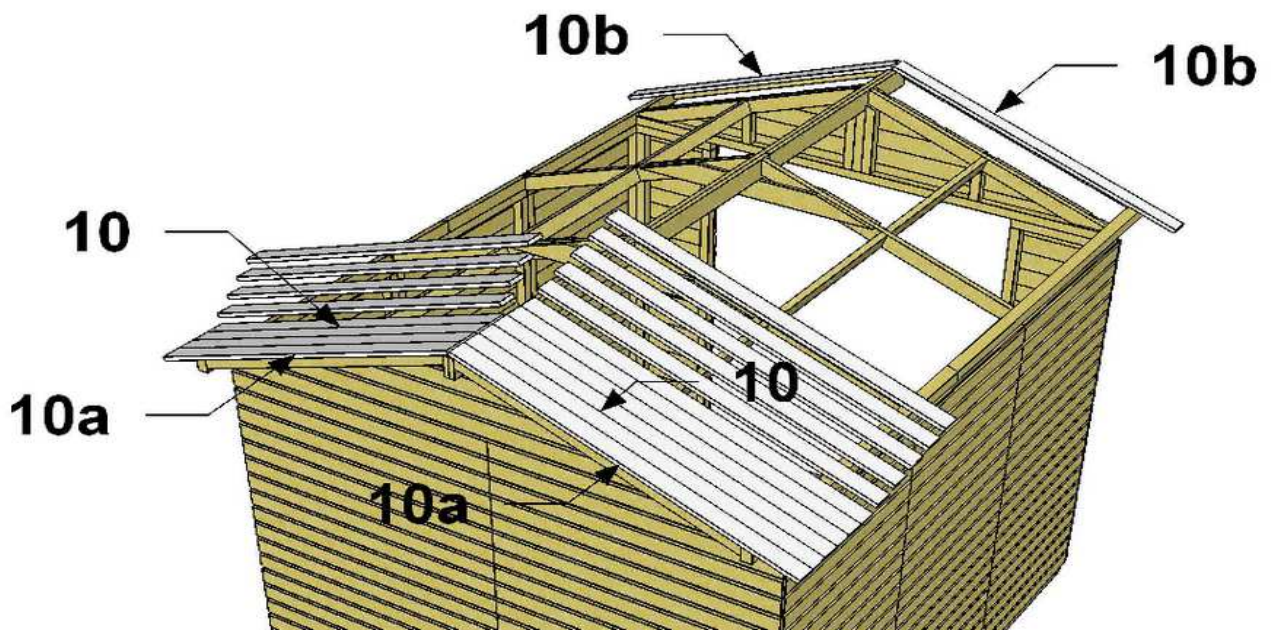
Assembly instruction

6/9



+ **9b**

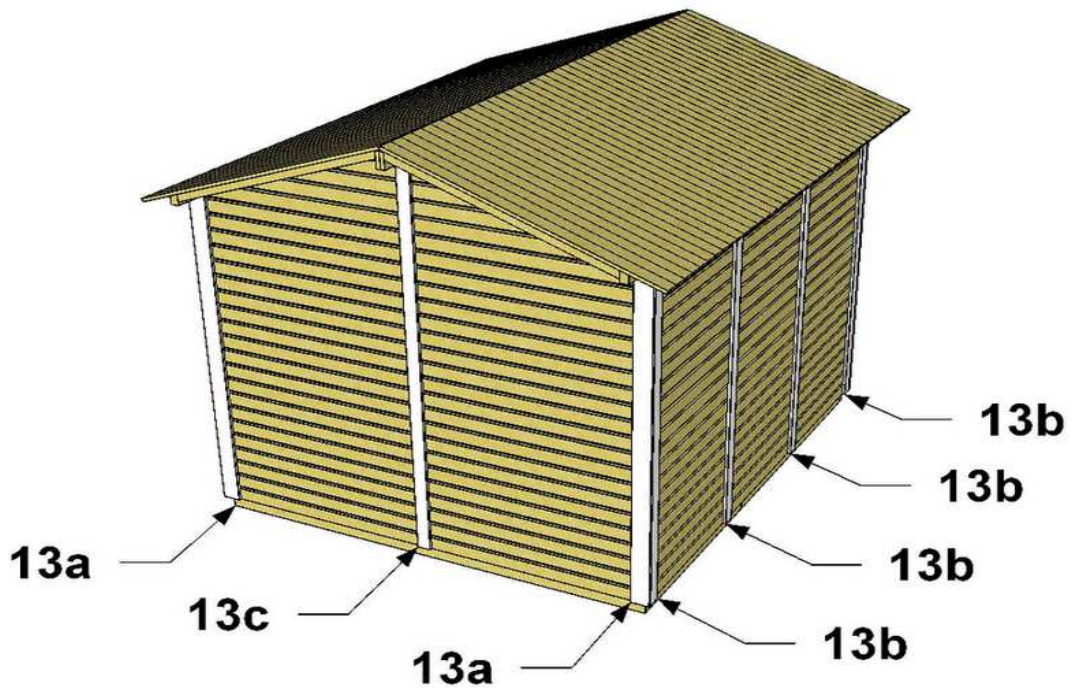
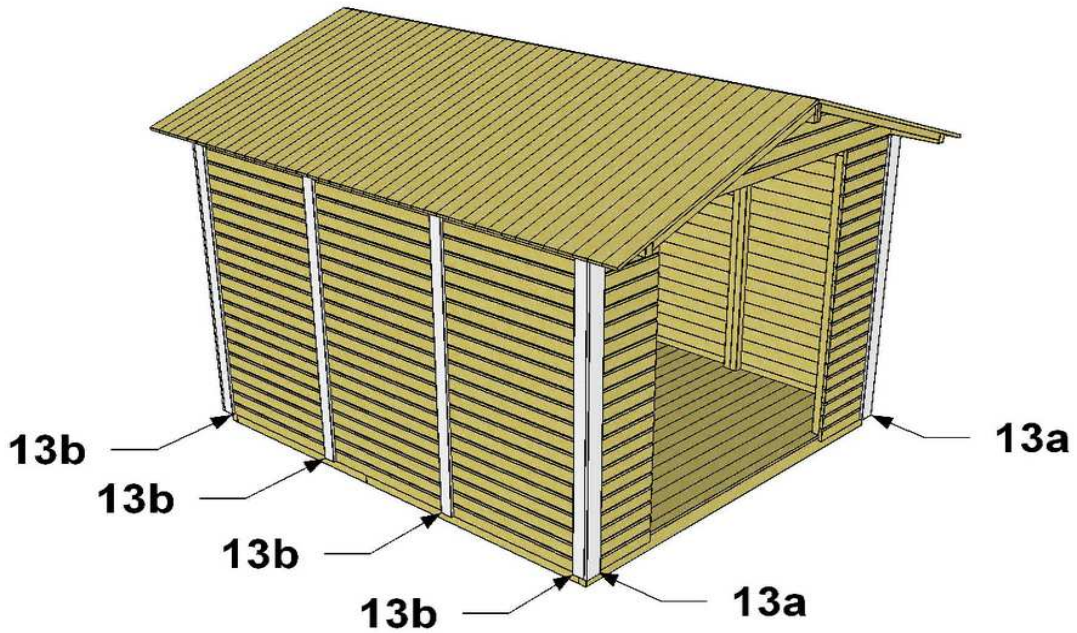
40 x 40 x 20	8
3,5 x 25	32



10a + **10** + **10b**

2 x 50	228
--------	-----

SHED 240 x 360 cm. (floor beams 44x94)
Assembly instruction



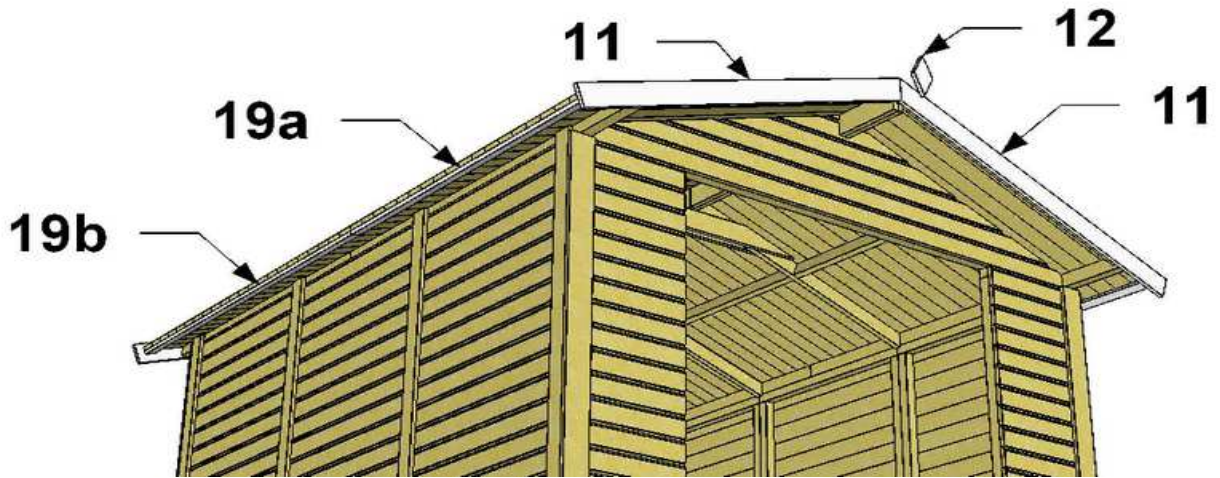
13b + **13a** + **13c**

3,5 x 40	40
----------	----

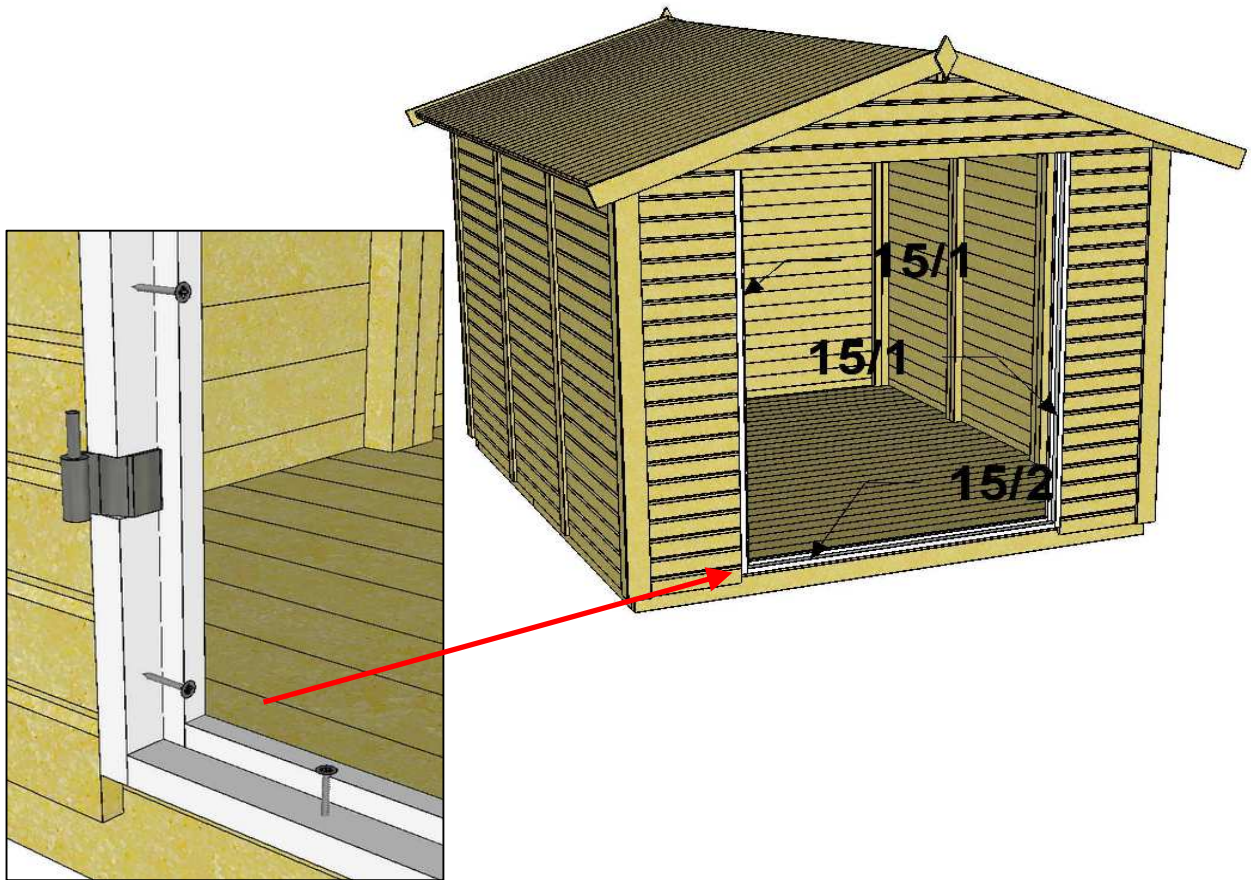
SHED 240 x 360 cm. (floor beams 44x94)

Assembly instruction

8/9



11	+	12	3,5 x 40	20
19a	+	19b	3,5 x 30	28

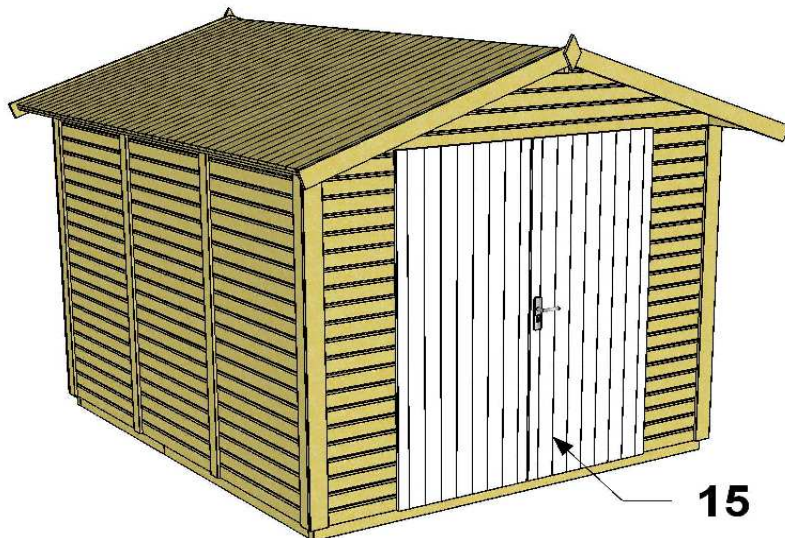


15/1	+	15/2	4 x 60	14
-------------	---	-------------	--------	----

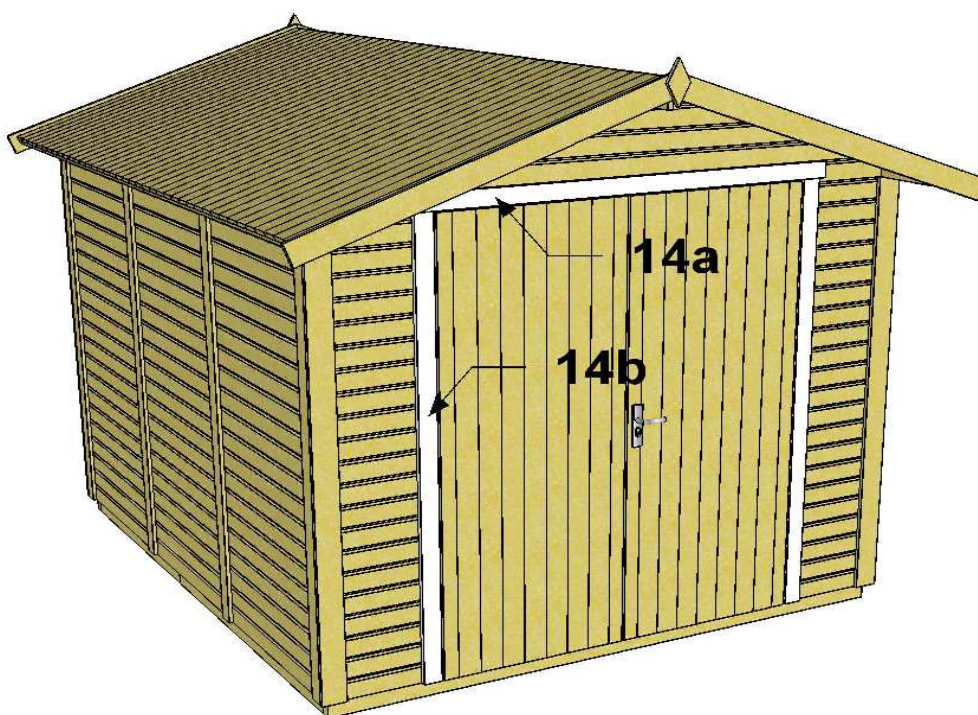
SHED 240 x 360 cm. (floor beams 44x94)

Assembly instruction

9/9



+	15	+	16	3,5 x 30	8
---	-----------	---	-----------	-----------------	----------



+	14b	+	14a	3,5 x 40	12
---	------------	---	------------	-----------------	-----------