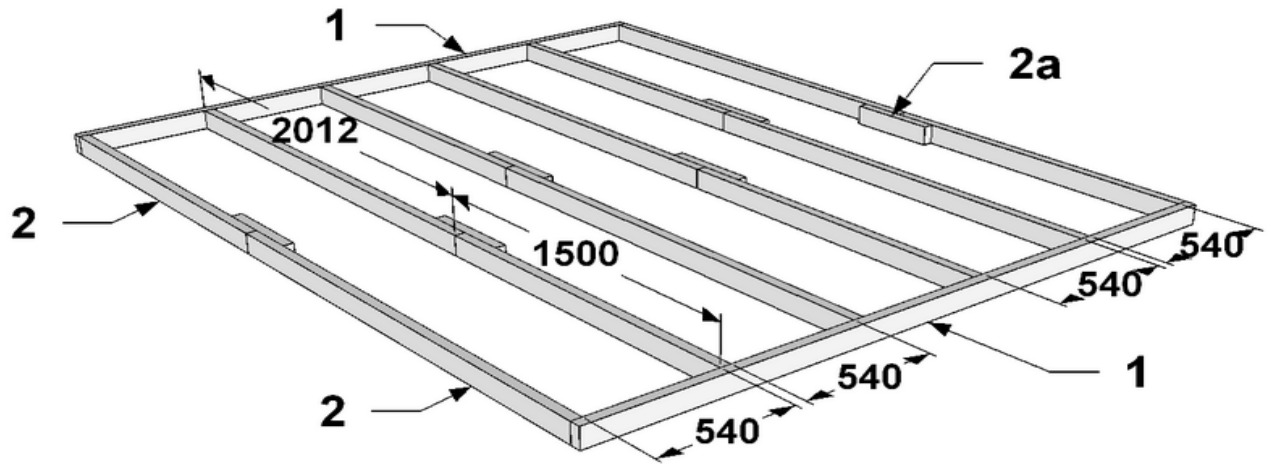


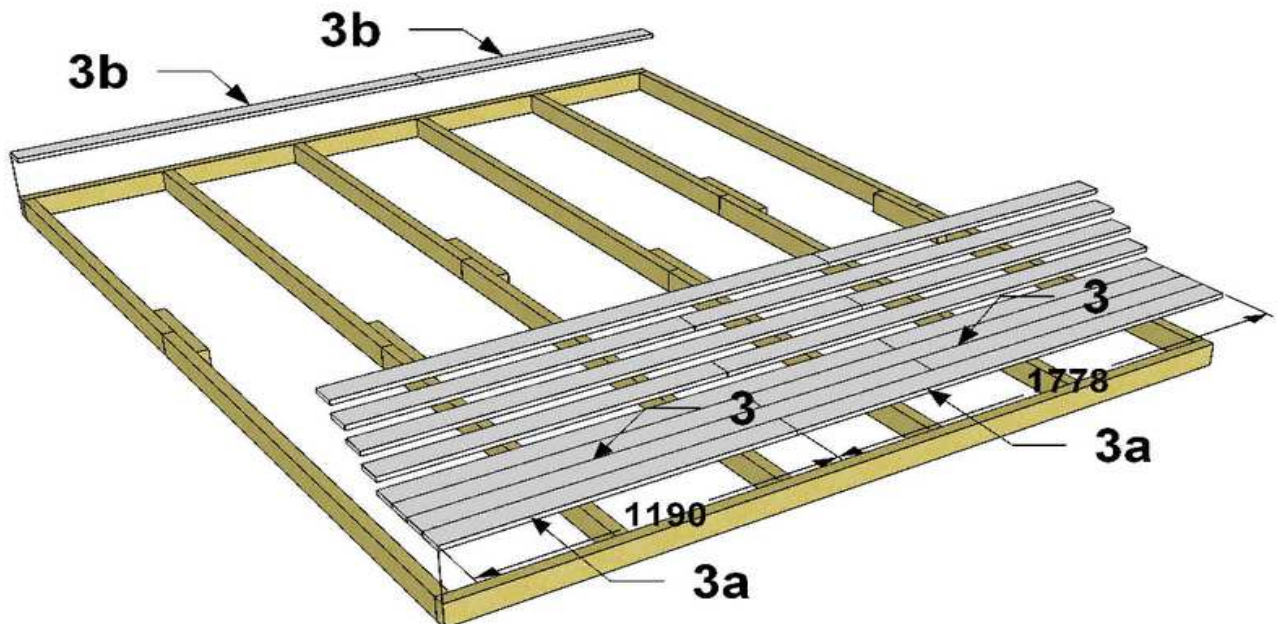
SHED 300 x 360 cm. (floor beams 44x94)

Assembly instruction

1/11



2	+	2	(2a)	+	1	4,5 x 80	48
----------	---	----------	------	---	----------	----------	----

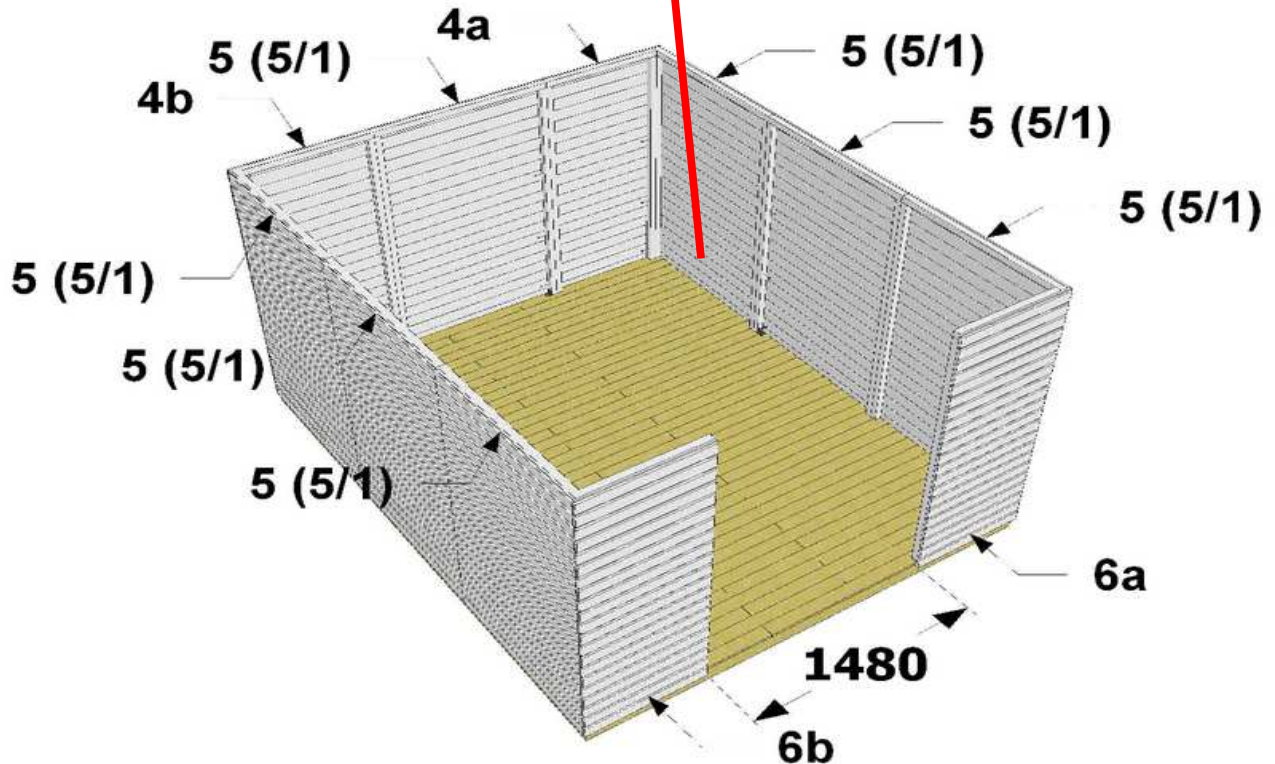
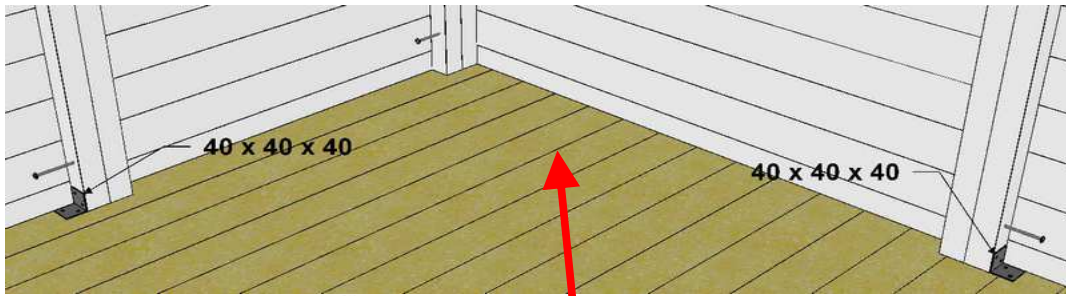


3a	+	3	+	3b	2 x 50	294
-----------	---	----------	---	-----------	--------	-----

SHED 300 x 360 cm. (floor beams 44x94)

Assembly instruction

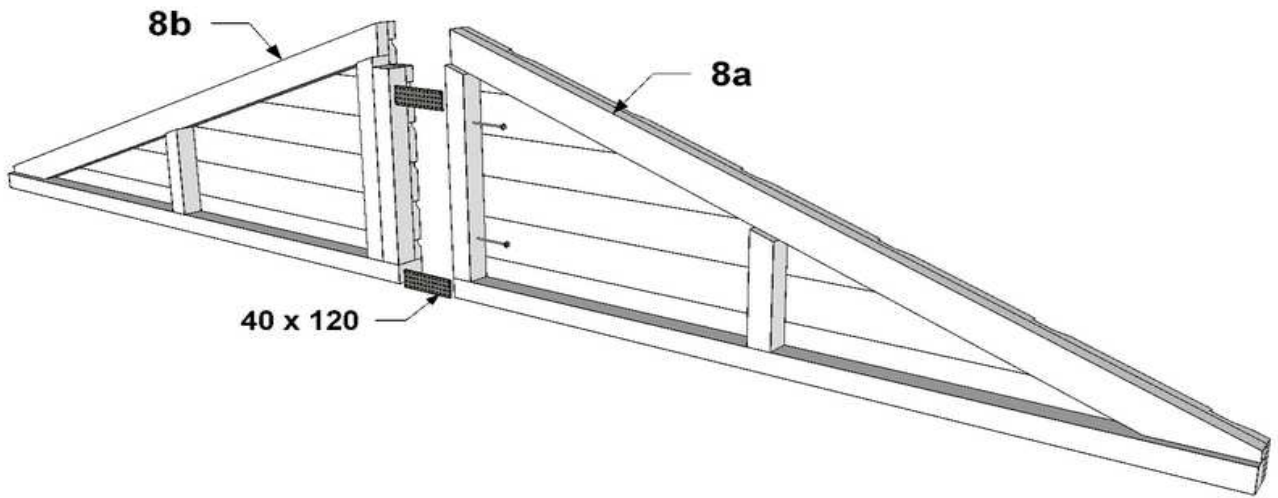
2/11



5	+	4a	+	5	+	4b		
+	5	+	5	+	5	+	4,5 x 80	40
6b	+	5	+	5	+	6a		
5	5		5	5		6a		
4a	5		5	4b			40 x 40 x 40	8
							3,5 x 40	48
5	5		5	5		6b		

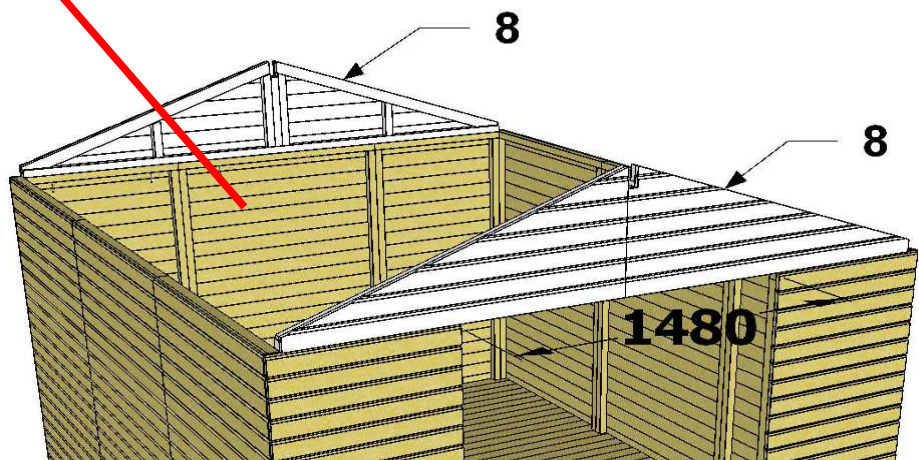
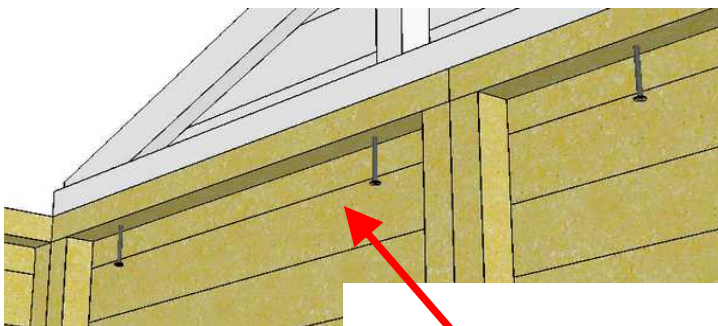
SHED 300 x 360 cm. (floor beams 44x94)

Assembly instruction



8a + **8b**

40 x 120	4
3,5 x 40	32
4,5 x 80	4



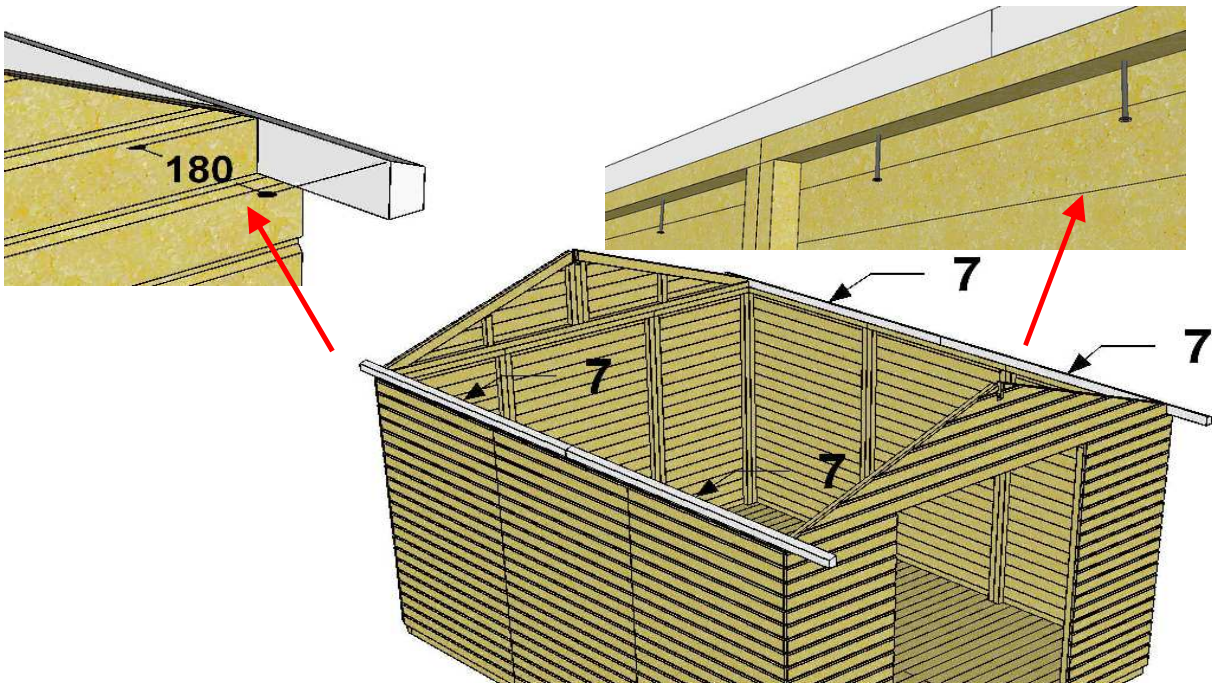
+ **8**

4,5 x 80	12
----------	----

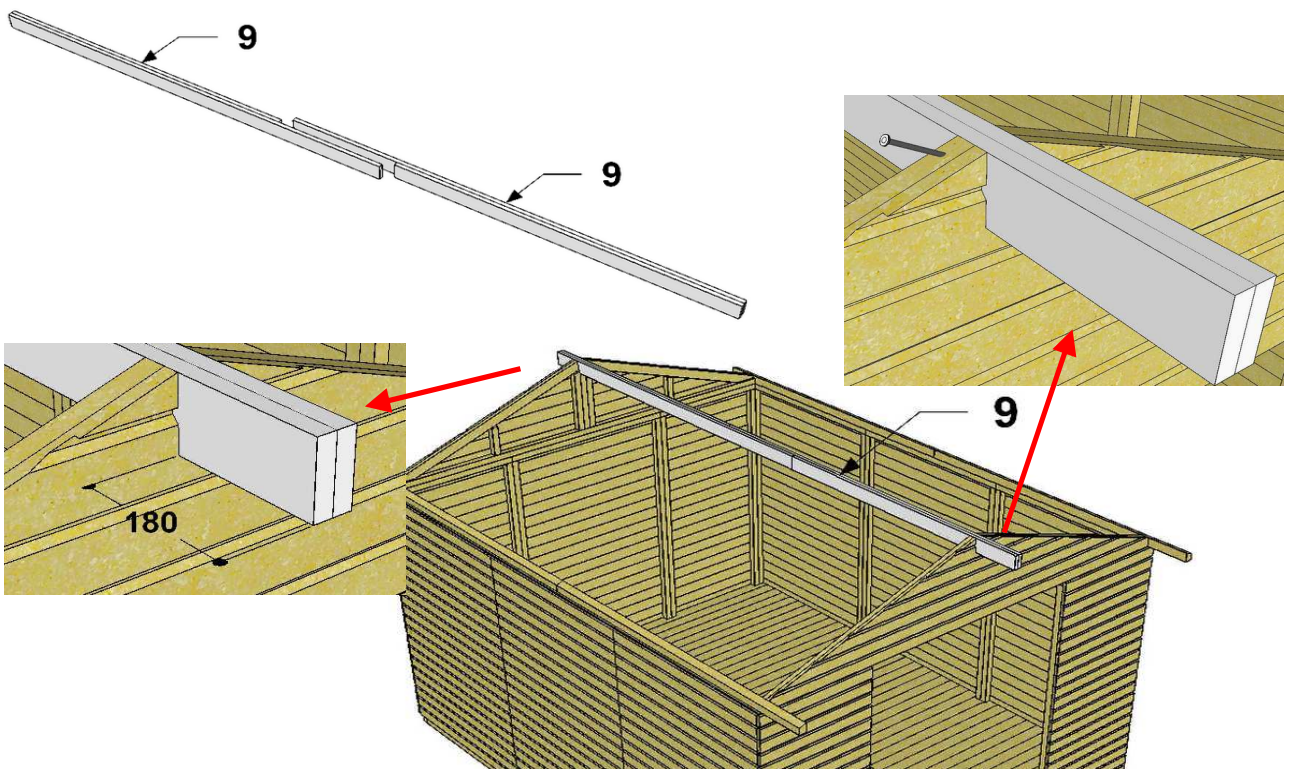
SHED 300 x 360 cm. (floor beams 44x94)

Assembly instruction

4/11



+	7	4,5 x 80	12
---	----------	-----------------	-----------

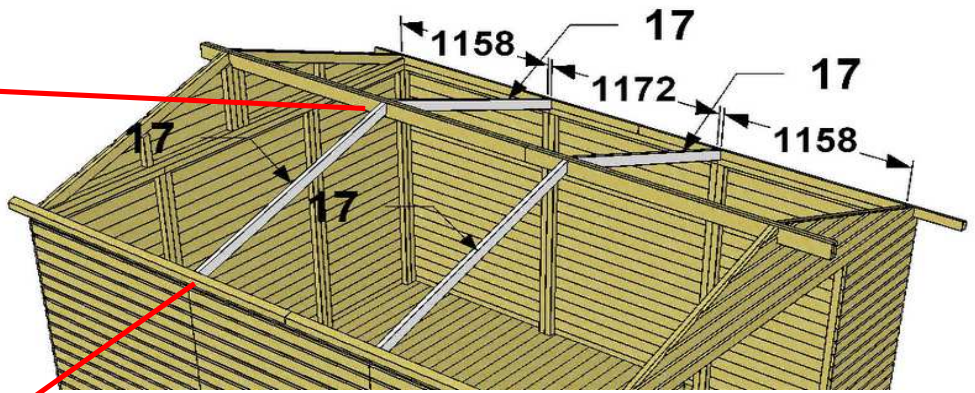
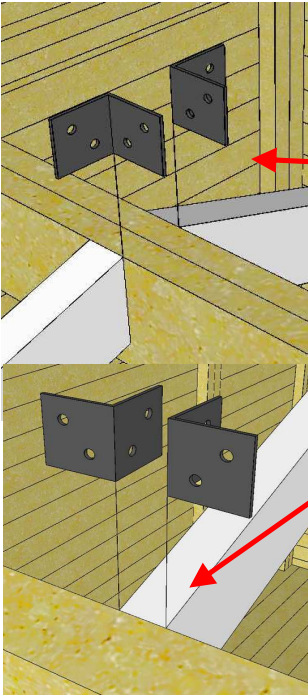


9	+	9	3,5 x 40	8
	+	9	4,5 x 80	2

SHED 300 x 360 cm. (floor beams 44x94)

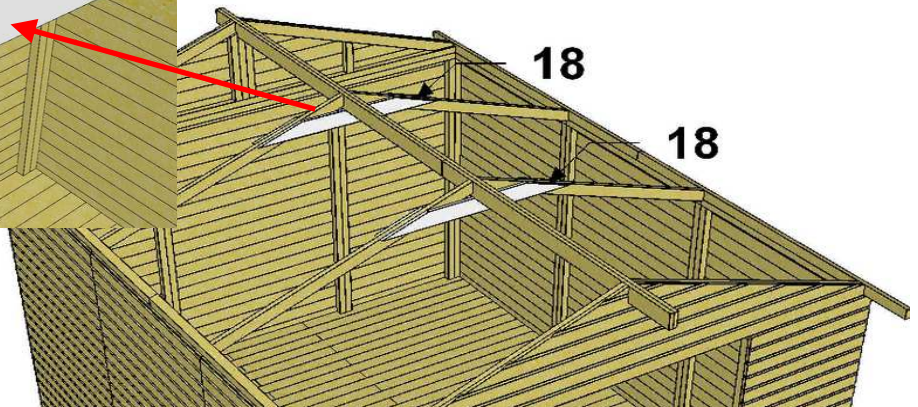
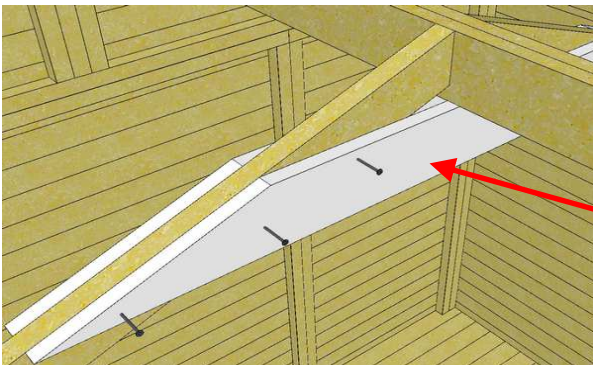
Assembly instruction

5/11



+ **17**

40 x 40 x 40	12
3,5 x 25	36
3,5 x 40	36



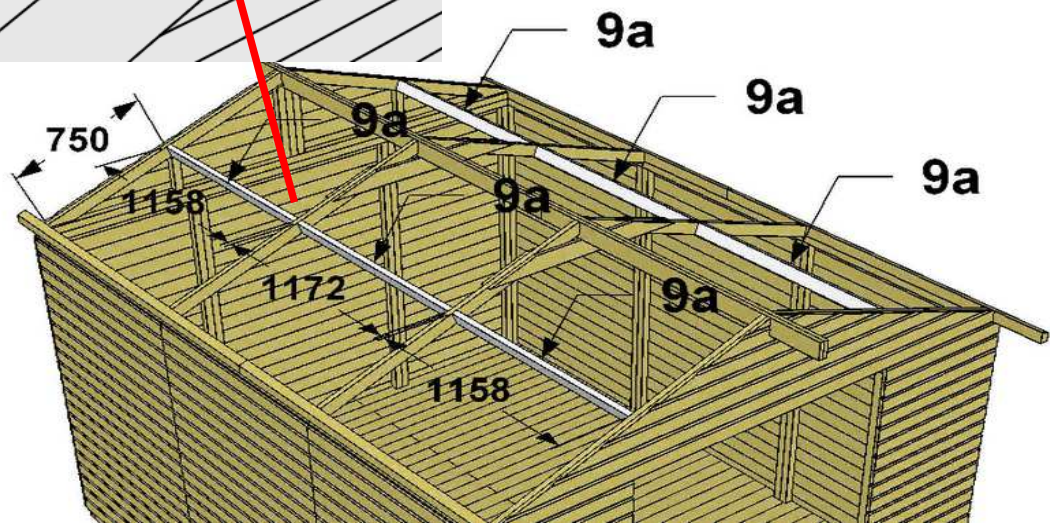
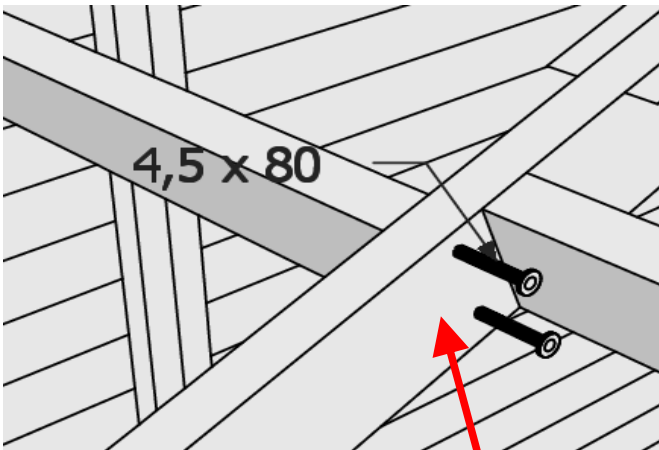
+ **18**

3,5 x 40	24
----------	----

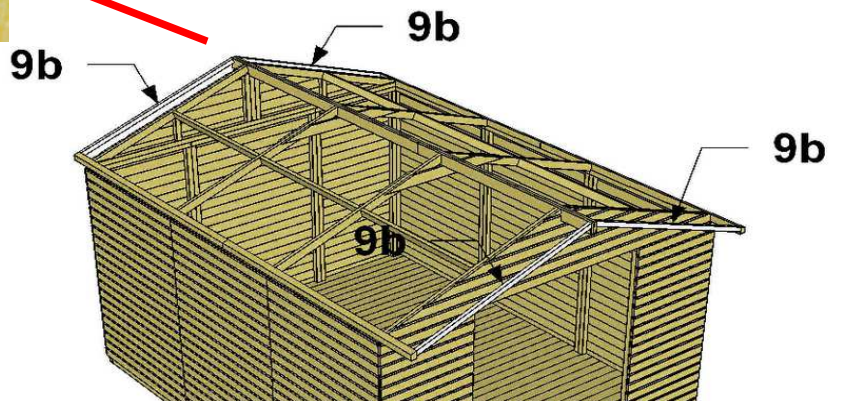
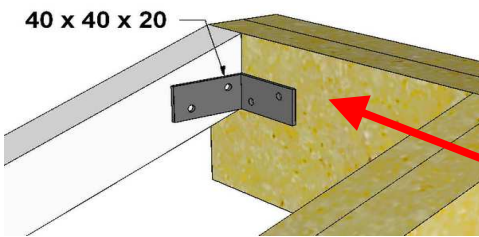
SHED 300 x 360 cm. (floor beams 44x94)

Assembly instruction

6/11



+	9a	4,5 x 80	24
---	-----------	-----------------	-----------

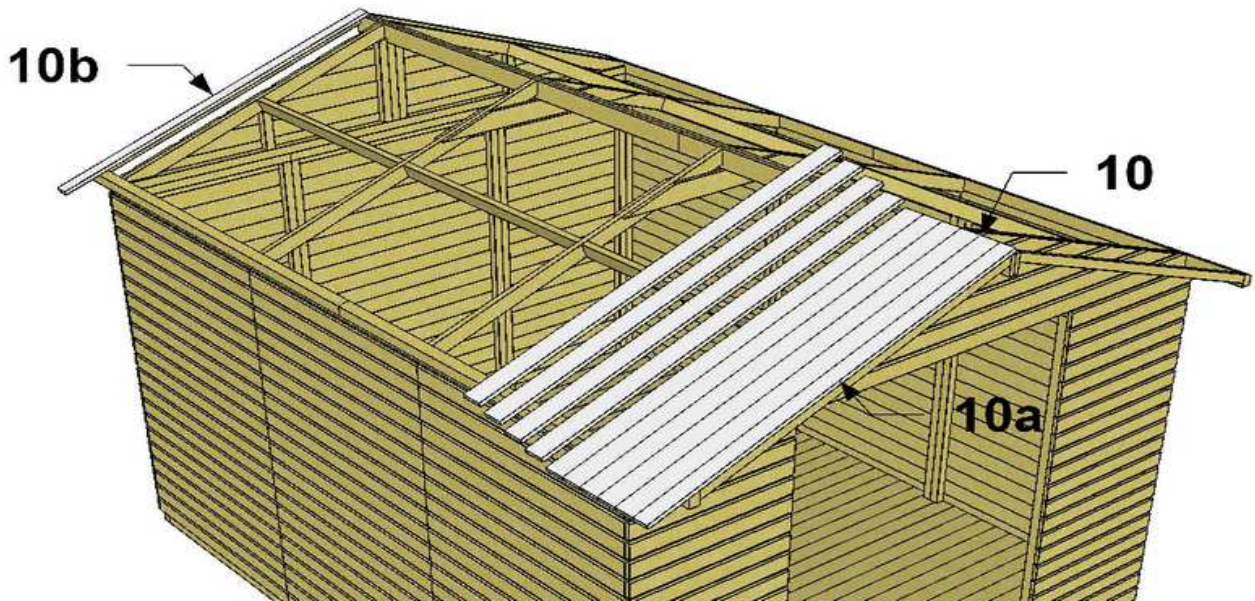


+	9b	40 x 40 x 20	8
		3,5 x 25	32

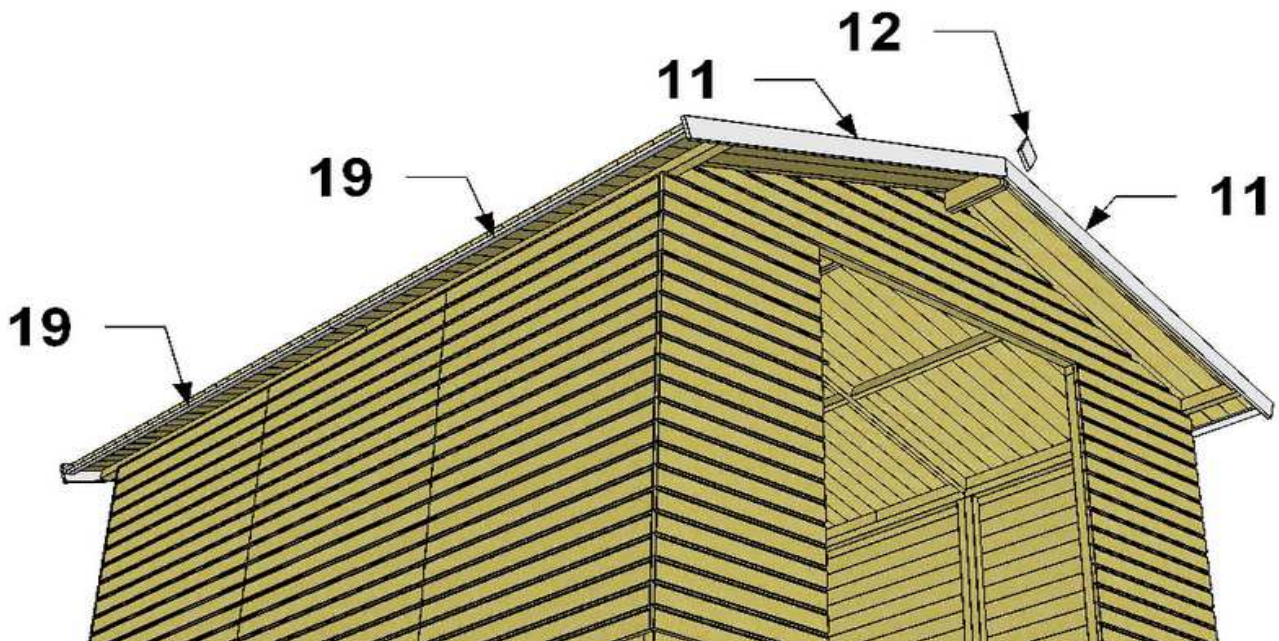
SHED 300 x 360 cm. (floor beams 44x94)

Assembly instruction

7/11

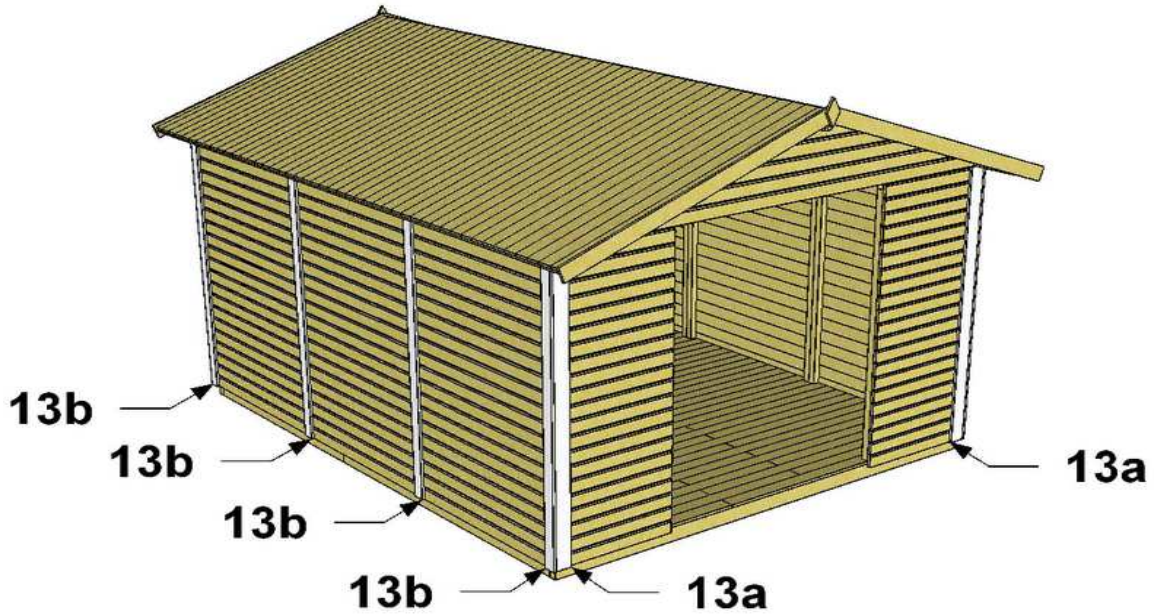


10a	+	10	+	10b	2 x 50	288
------------	---	-----------	---	------------	---------------	------------



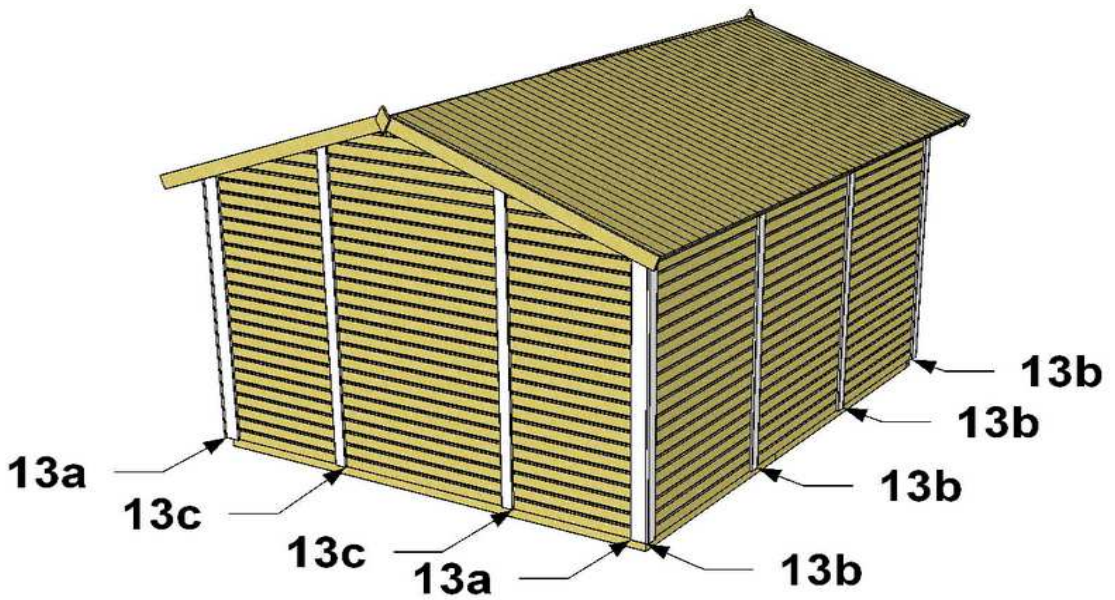
11	+	12	3,5 x 40	20
+	19	3,5 x 30	32	

SHED 300 x 360 cm. (floor beams 44x94)
Assembly instruction



13a + **13b**

3,5 x 40	36
----------	----

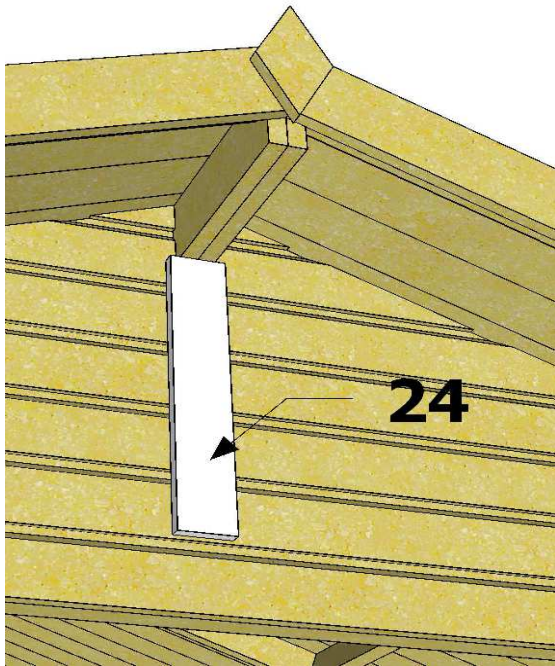


+ **13c**

3,5 x 40	8
----------	---

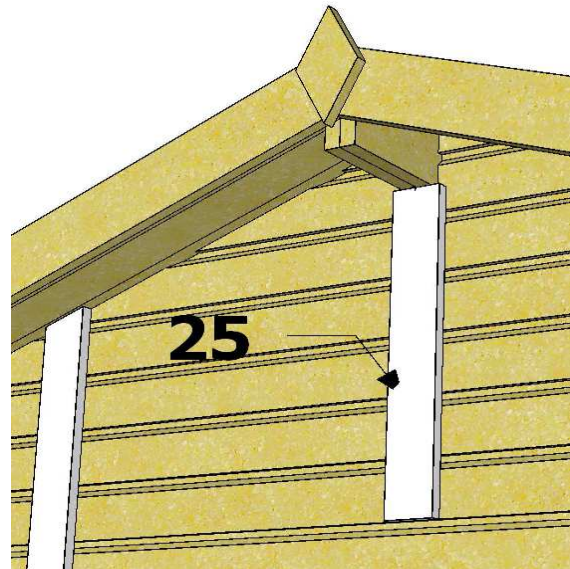
SHED 300 x 360 cm. (floor beams 44x94)
Assembly instruction

9/11



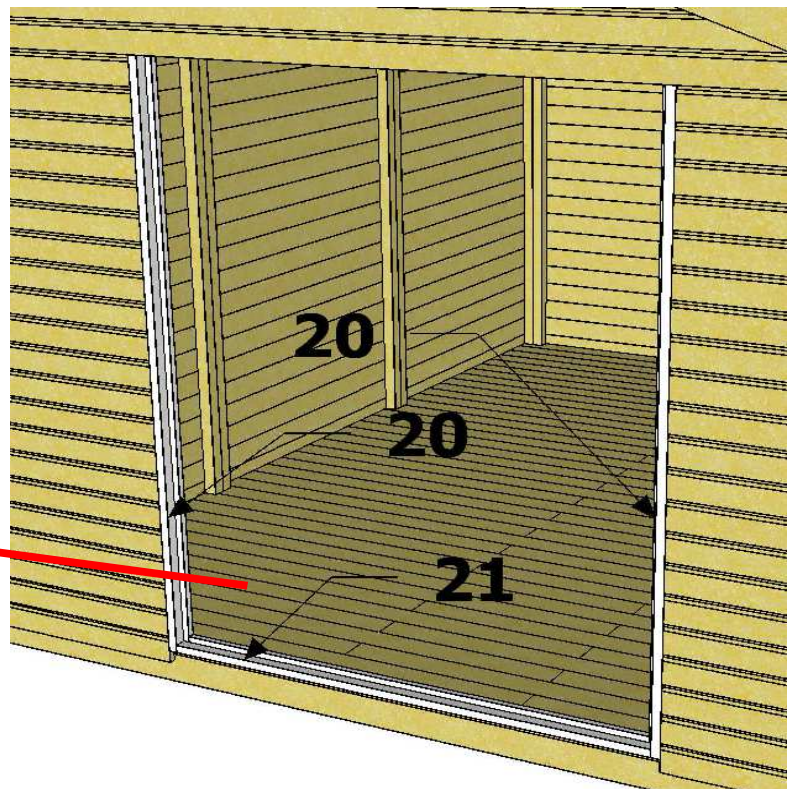
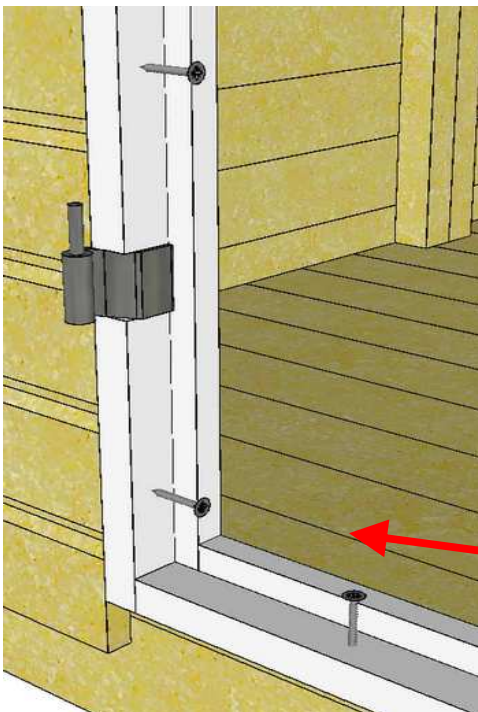
front

24 + **25**



back

3,5 x 40	5
-----------------	----------



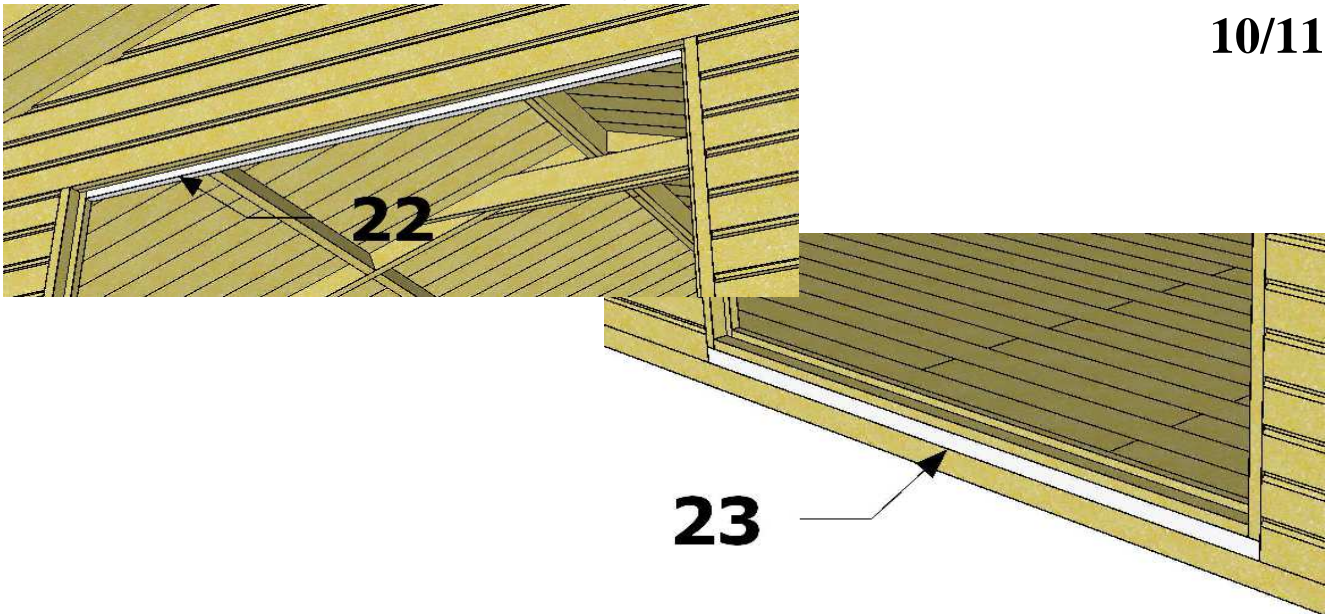
20 + **21**

4 x 60	12
---------------	-----------

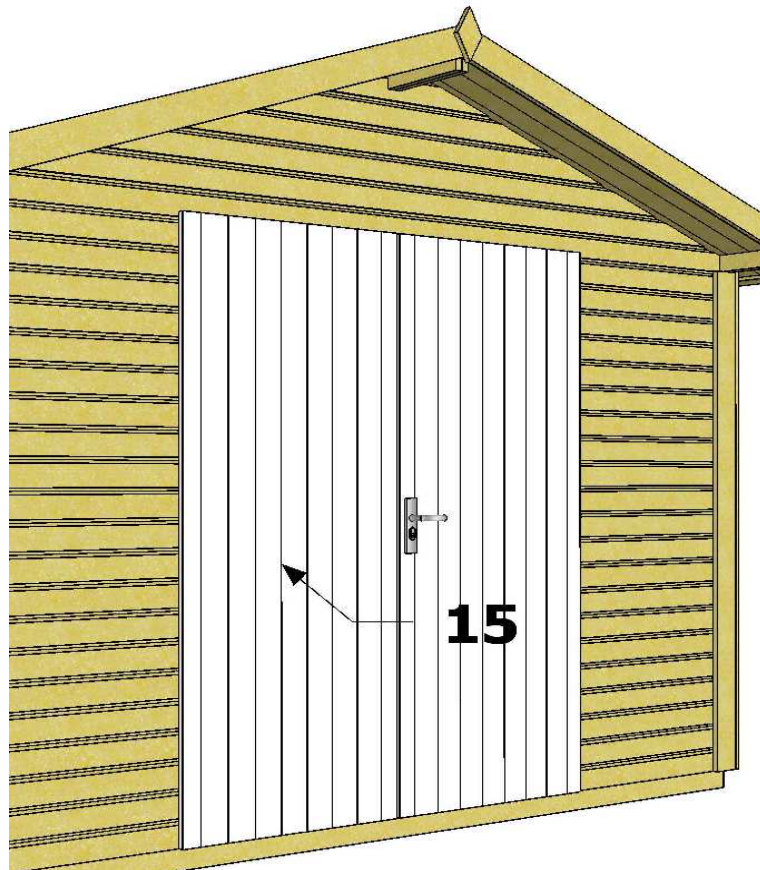
SHED 300 x 360 cm. (floor beams 44x94)

Assembly instruction

10/11



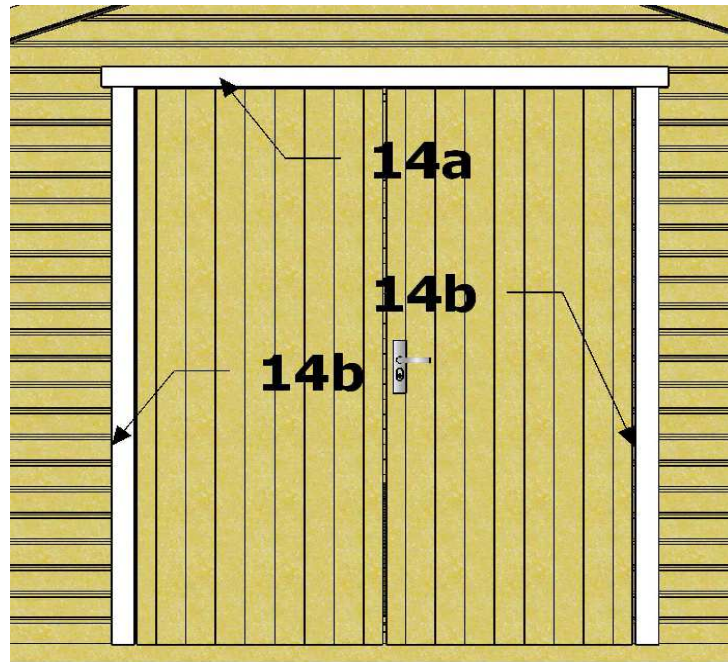
22	+	23	3,5 x 40	8
----	---	----	----------	---



+	15	+ lock set
---	----	------------

SHED 300 x 360 cm. (floor beams 44x94)
Assembly instruction

11/11



14b + **14a**

3,5 x 40	12
-----------------	-----------