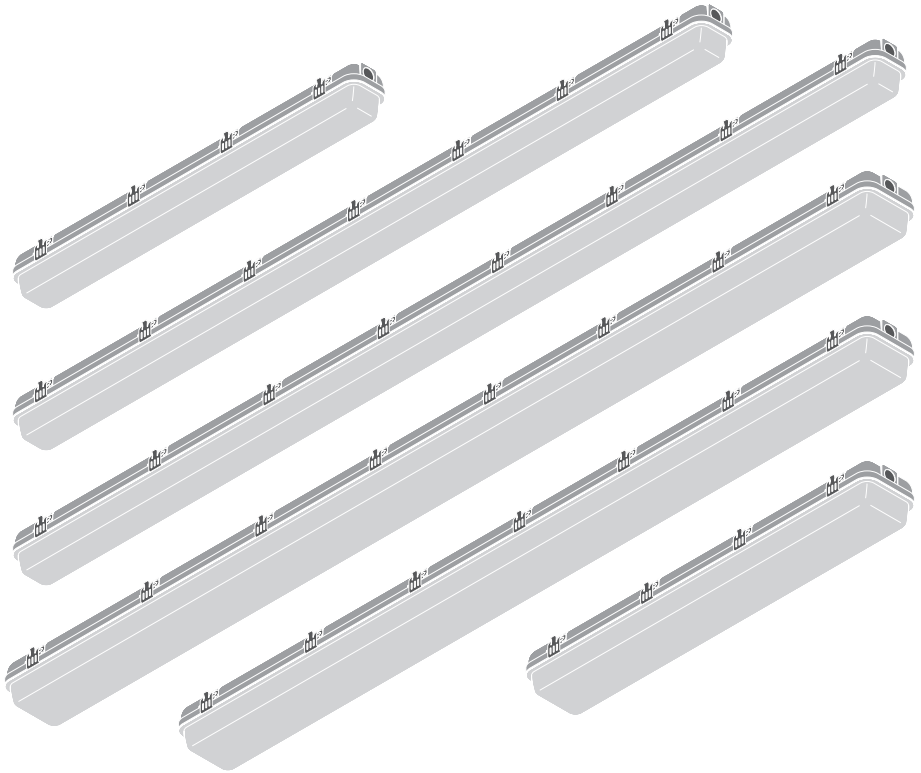


---

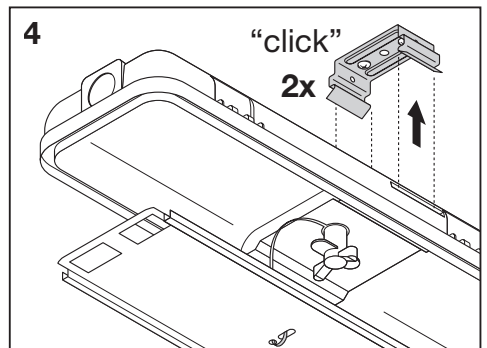
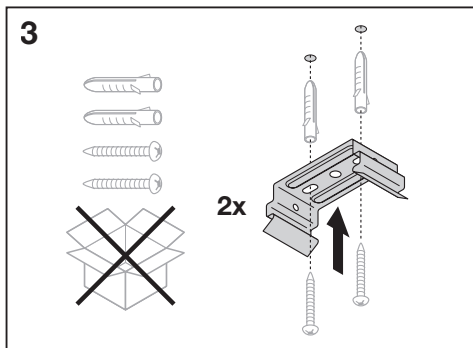
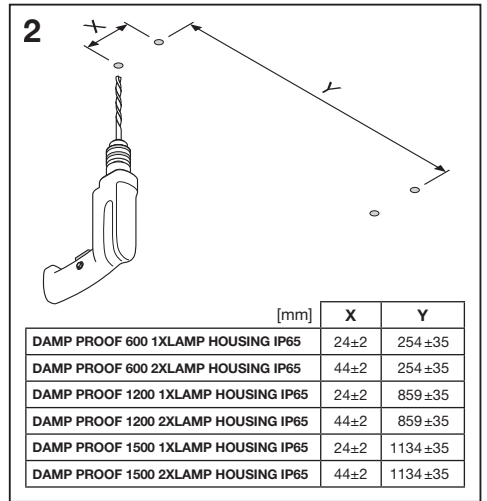
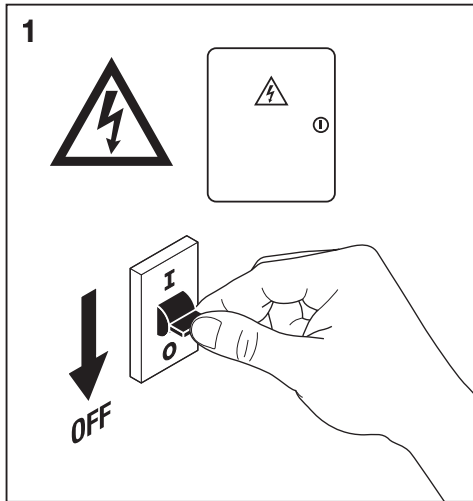
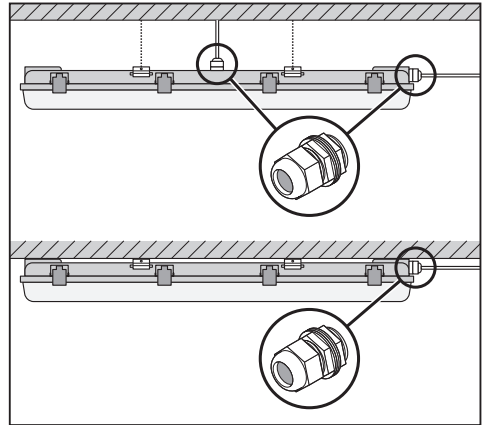
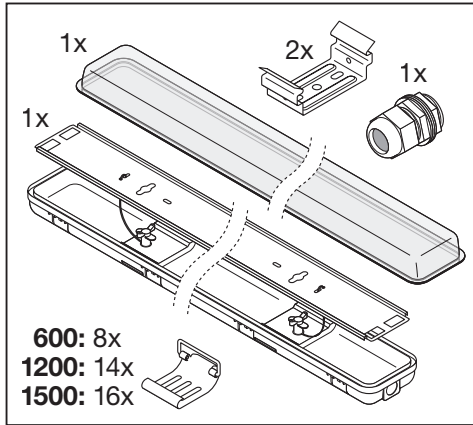
## DAMPPROOF HOUSING

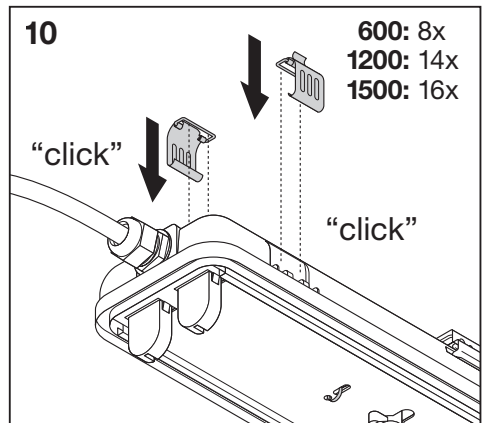
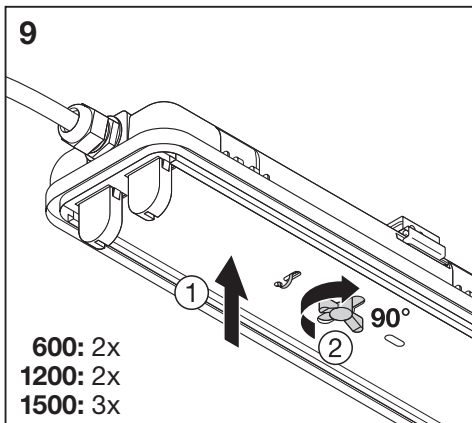
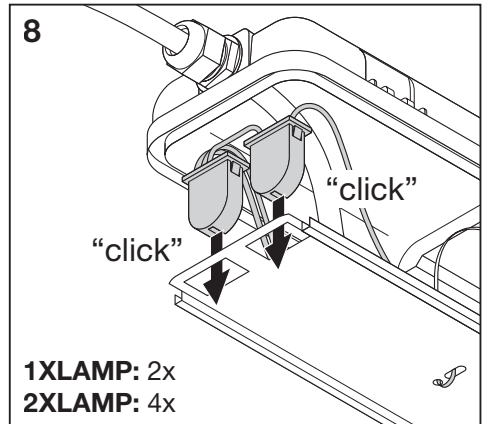
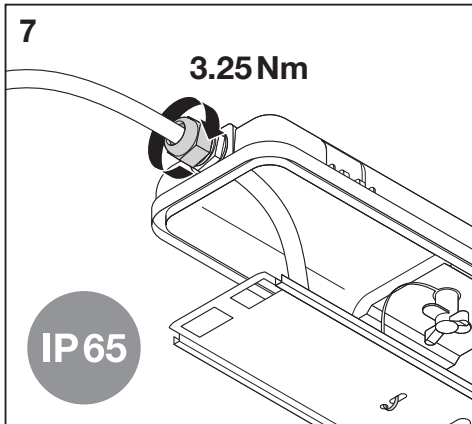
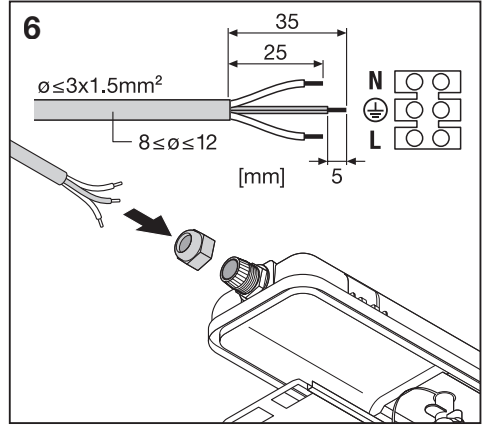
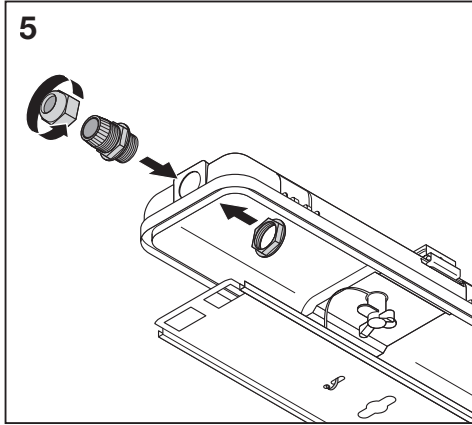
---



	EAN	l x w x h [mm]	IP	IK	🌡️ (°C)	👤
<b>DAMP PROOF 600 1XLAMP HOUSING IP65</b>	4058075312395	651 x 69 x 70	65	08	-20...+45	0.60 kg
<b>DAMP PROOF 600 2XLAMP HOUSING IP65</b>	4058075312418	651 x 107 x 70	65	08	-20...+45	0.85 kg
<b>DAMP PROOF 1200 1XLAMP HOUSING IP65</b>	4058075312432	1261 x 69 x 70	65	08	-20...+45	1.00 kg
<b>DAMP PROOF 1200 2XLAMP HOUSING IP65</b>	4058075312456	1261 x 107 x 70	65	08	-20...+45	1.30 kg
<b>DAMP PROOF 1500 1XLAMP HOUSING IP65</b>	4058075312470	1561 x 69 x 70	65	08	-20...+45	1.30 kg
<b>DAMP PROOF 1500 2XLAMP HOUSING IP65</b>	4058075312494	1561 x 107 x 70	65	08	-20...+45	1.85 kg

**DAMPPROOF HOUSING**



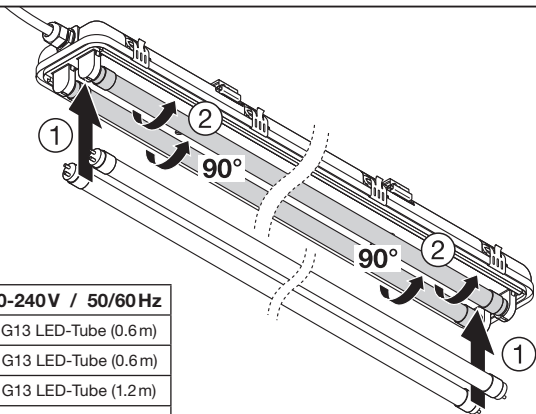


11

T8 FL (18W, 36W, 58W)



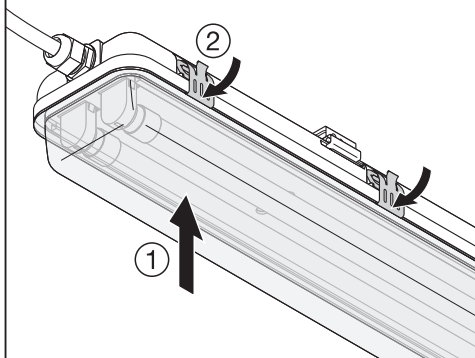
G13 LED ✓



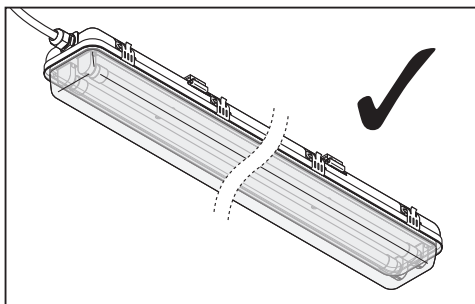
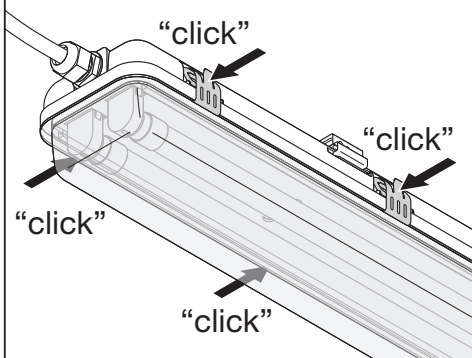
220-240V / 50/60 Hz

DAMP PROOF 600 1XLAMP HOUSING IP65	1x G13 LED-Tube (0.6 m)
DAMP PROOF 600 2XLAMP HOUSING IP65	2x G13 LED-Tube (0.6 m)
DAMP PROOF 1200 1XLAMP HOUSING IP65	1x G13 LED-Tube (1.2 m)
DAMP PROOF 1200 2XLAMP HOUSING IP65	2x G13 LED-Tube (1.2 m)
DAMP PROOF 1500 1XLAMP HOUSING IP65	1x G13 LED-Tube (1.5 m)
DAMP PROOF 1500 2XLAMP HOUSING IP65	2x G13 LED-Tube (1.5 m)

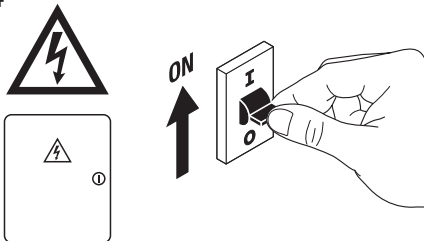
12



13



14



C10449057  
G11073543  
08.05.19



LEDVANCE GmbH  
Steinerne Furt 62  
86167 Augsburg, Germany  
[www.ledvance.com](http://www.ledvance.com)