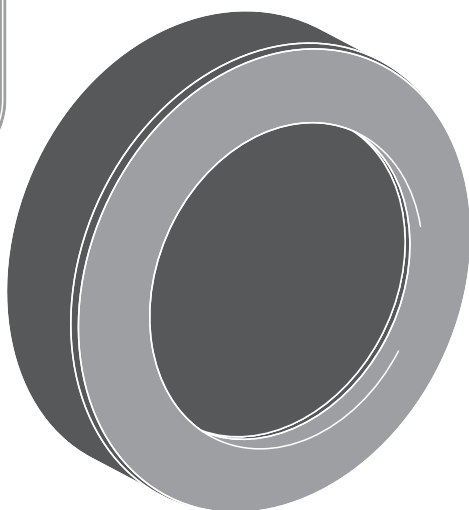
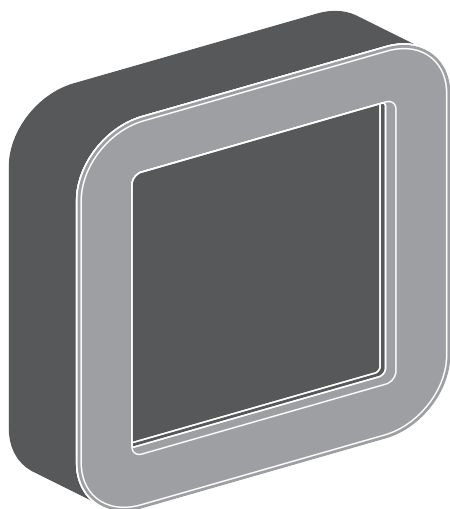


# Outdoor Surface SQ/RD



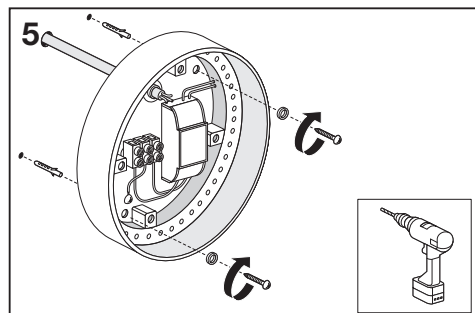
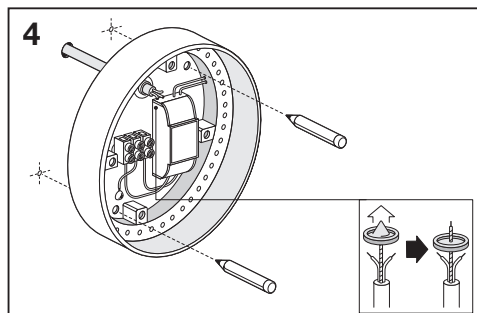
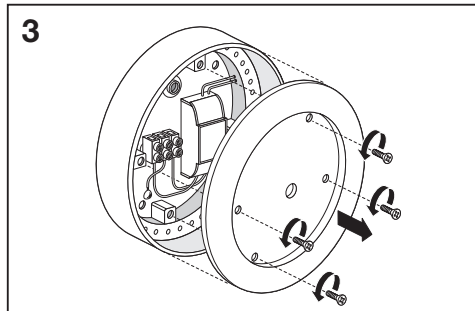
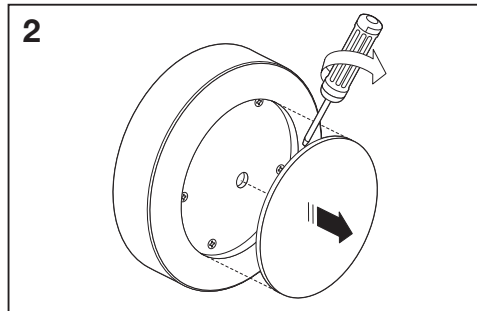
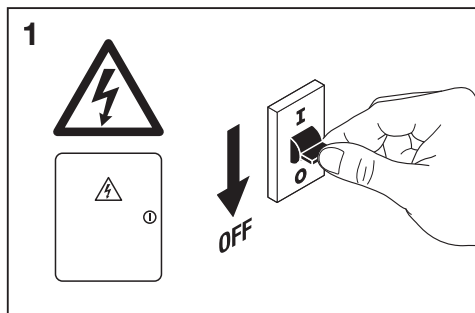
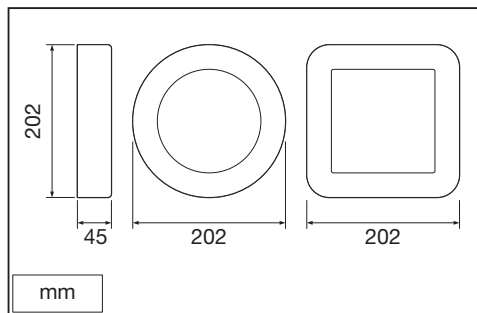
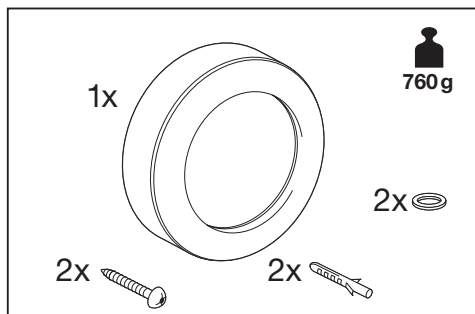
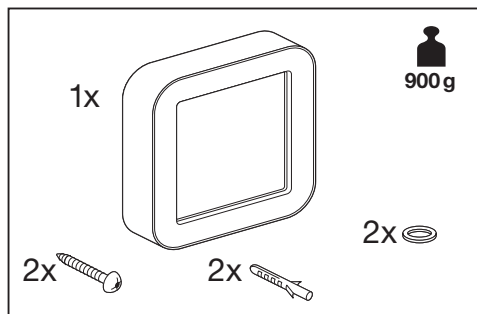
	EAN	L x W x H	W	lm	lm/W	K	IP	IK
Outdoor Surface RD 13W/3000K GY IP54	4058075074897	(Ø) 202 x 45	13	500	35	3000K	54	06
Outdoor Surface RD 13W/3000K WT IP54	4058075074910	(Ø) 202 x 45	13	600	45	3000K	54	06
Outdoor Surface SQ 13W/3000K GY IP54	4058075074934	202 x 202 x 45	13	500	35	3000K	54	06
Outdoor Surface SQ 13W/3000K WT IP54	4058075074958	202 x 202 x 45	13	600	45	3000K	54	06

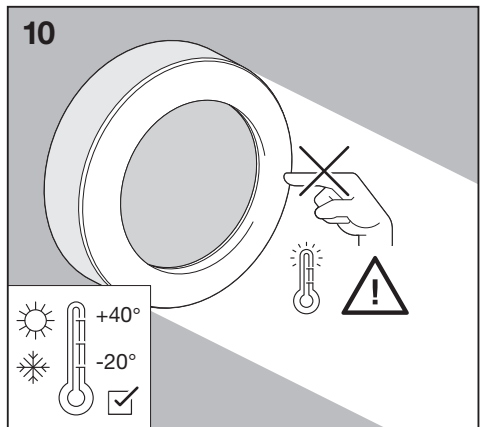
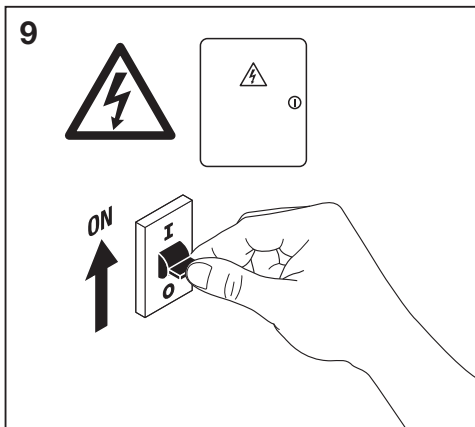
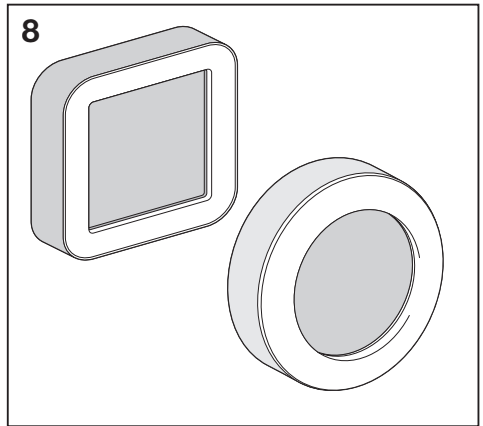
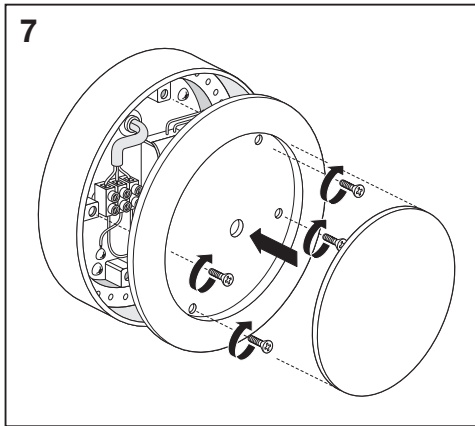
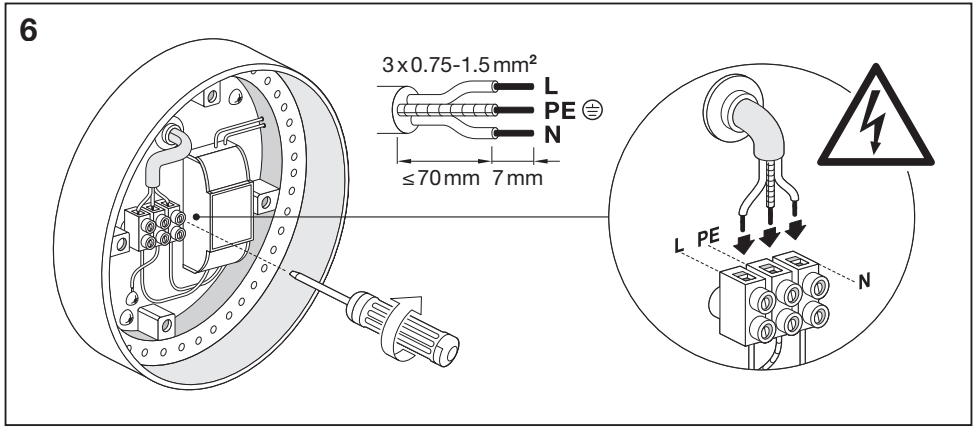
	EAN	⚡	🌡️ (°C)	PF	℞ <sub>a</sub>	V <sub>AC</sub>	Hz	👤
Outdoor Surface RD 13W/3000K GY IP54	4058075074897	100°	-20...40	≥ 0.5	> 80	220-240V	50/60 Hz	0.8 kg
Outdoor Surface RD 13W/3000K WT IP54	4058075074910	100°	-20...40	≥ 0.5	> 80	220-240V	50/60 Hz	0.8 kg
Outdoor Surface SQ 13W/3000K GY IP54	4058075074934	100°	-20...40	≥ 0.5	> 80	220-240V	50/60 Hz	0.9 kg
Outdoor Surface SQ 13W/3000K WT IP54	4058075074958	100°	-20...40	≥ 0.5	> 80	220-240V	50/60 Hz	0.9 kg



**LEDVANCE**

Outdoor Surface SQ/RD





[www.luminaires.ledvance.com](http://www.luminaires.ledvance.com)



Downlight



Spot



Linear



Panel



Surface



DampProof  
IP65



HighBay



Floodlight



C10449057  
G11027761  
25.10.17

LEDVANCE GmbH  
Steinerne Furt 62  
86167 Augsburg  
Germany  
[www.ledvance.com](http://www.ledvance.com)