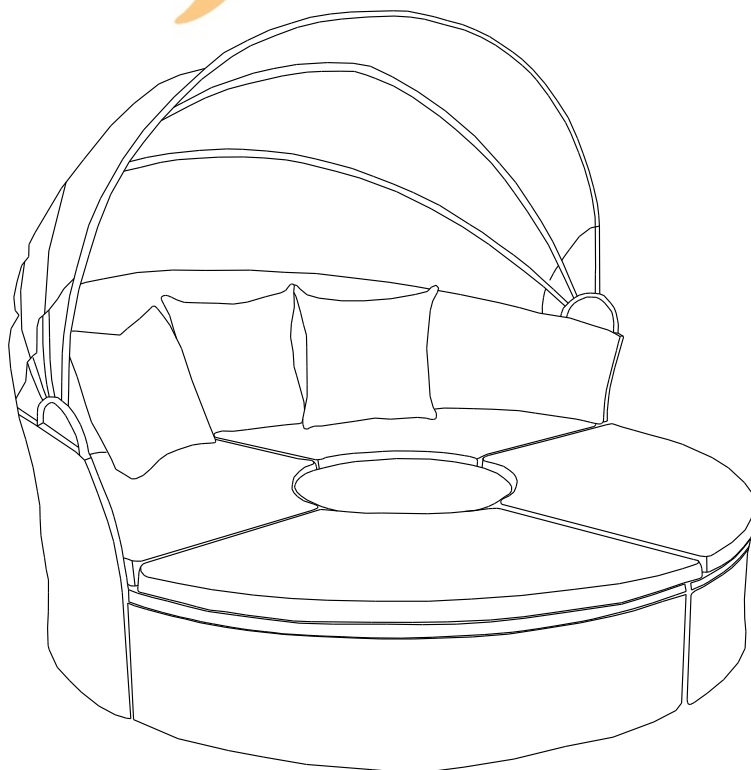


ASSEMBLY MANUAL BRUKSANVISNING

Lyfco®



NOTE: 50% TIGHTEN BEFORE FIXING ALL BOLTS

VIKTIGT – LÄS MONTERINGSANVISNINGARNA NOGA INNAN DU BÖRJAR

Please don't remove the batch code sticker at back side of this product!
Any feedback please take picture of this batch code for traceability purpose

Ta inte bort etiketten med batchnummer som finns på möbeln. Om du behöver hjälp med service eller reklamation av din möbel – ange möblensbatchnummer till återförsäljaren, så att du kan få rätt reservdelar till just din möbel.

XX-YYWW

SKU: 166-1-55

MODEL NAME: Höllviken

MODELLNAMN: Höllviken

Konsumentkontakt

Arc E-commerce AB

Box 3124

13603 Haninge

Attention! Please note that at first all screws should be inserted slightly by hand! Turn 2-3 times so that the screw grips on its own and connects all elements loosely. The screws must only be driven in tightly when all elements are connected with each other in this way. Otherwise the setup won't be possible. Only by driving them in tightly afterwards, small deviations of the borehole or the welded joints, which always occur with handcrafted products, can be compensated.

Var uppmärksam! Sätt först i samtliga skruvar löst. Dra inte åt, för då finns risk att skruvhålen inte passar.

Notes on an optimized assembly:

Before you completely tighten the screws, check carefully all the screws and tighten them (only) to the extent that the product remains (especially chairs or loungers) still under load. If you are sure that your product can withstand load, place it on a solid, level ground and put some weight on it, please carefully and always with cushions. The various components can then align with each other. Then tighten completely the screws. Thus you achieve an optimal alignment of the product and prevent wobbling. Don't sit, find some weight.

Innan du drar åt skruvarna helt, gör såhär för bästa resultat:

Ställ möbeln på en helt slät yta och lägg ett tillräckligt tungt föremål (ca 10-15kg) på den, så att alla ben nuddar marken. Skruva därefter i skruvarna helt. Obs – använd inte din kroppstyngd, då det är för mycket vikt. Om du följer dessa råd, blir din möbel stabil.

Om du inte följer dessa instruktioner kommer möbeln att bli ostadig och "vickig" då produkten upplevs ojämn.

Your new product was made by hand. Slightly irregularities are rather seen as a quality attribute than as a reason for complaints.

Din nya möbel är handgjord. Små avvikelser kan därför förekomma och är ett kvalitetsattribut snarare än ett fel.

Tip: Always fully insert the hex key inside designated notch of screw.

Tips: Var noga att alltid sätta in insexnyckeln helt ner i skruven.



If you don't do that and slip out of the screw, the screw will suffer damage and it can cause the screw head to become round inside you won't be able to find grip with the hex key anymore!

Om du inte gör det finns risk att insexnyckeln slinter, vilket skadar skruven. Skruvenkandåbli brukbar.

✘ DONT'S

Don't use this product if parts are missing, damaged or worn down.

Don't use any electronic tools to set up these product. The high energy of these electronic tools will cause screw overtighten and therefore they won't grip.

Don't overtighten screws or bolts. Only tighten the screws entirely after the product is completely set up. You shouldn't sit or stand on it.

Don't let your product stand in the rain. Protect it from weather impacts. In times of freeze and over the winter, we suggest you to store the product in a covered dry place.

✘ VIKTIGT

Använd inte den här produkten om delar saknas, är skadade eller utslitna.

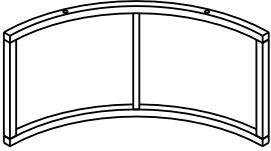
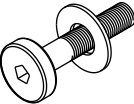
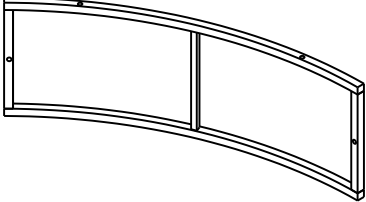
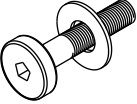
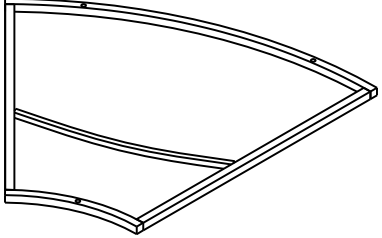
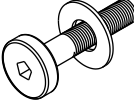
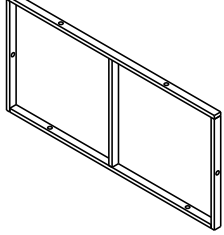

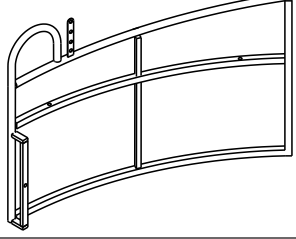
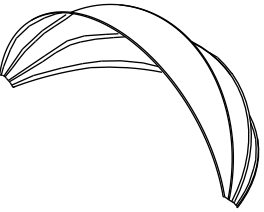
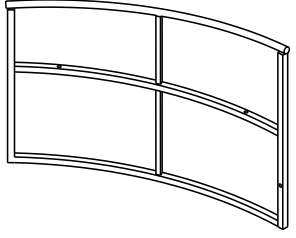
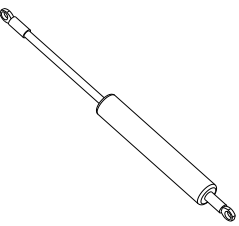
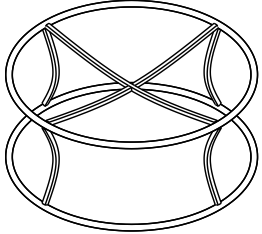
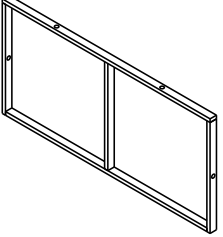
Använd inte elektriska skruvdragare för att montera produkten. Den höga kraften i elektriska verktyg kommer dra åt skruvarna för hårt vilket kan skada gängorna.

Spänn inte skruvar eller muttrar för hårt. Dra åt alla skruvar efter att hela möbeln monterats. Stå eller sitt inte på bordet.

För att förlänga livslängden på möbeln, undvik att låta den stå i regn. Under vintertid rekommenderar vi att möbeln förvaras inomhus, i torr miljö.

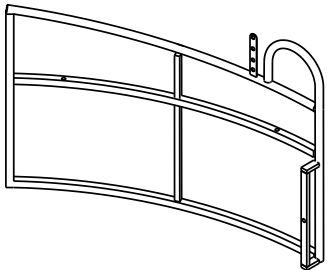
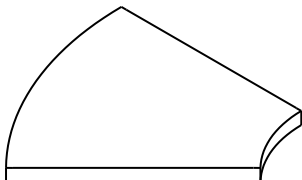
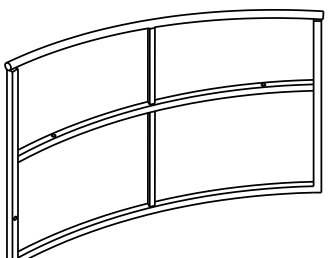
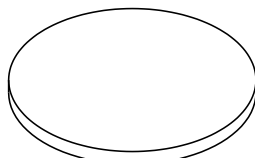
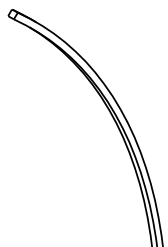
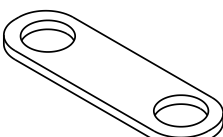

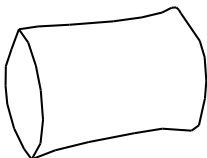
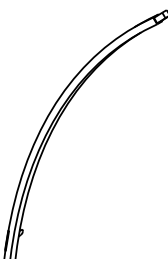
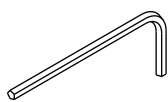

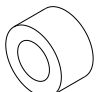
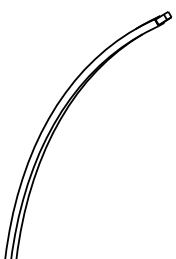
Component

Hardware

<u>Component</u>		<u>Hardware</u>		
A	 Inside Frame	2 pcs	1 Bolt M6 x 40	 24 pcs
B	 Outside Frame	2 pcs	2 Bolt M6 x 30	 20 pcs
C	 Top Frame	6 pcs	3 Bolt M6 x15	 80 pcs
D	 Panel Side Frame D	2 pcs	4 Screw	 12 pcs
E	 Right Back Frame E	1 pc	5 Fabric	 1 pc
F	 Right Back Frame F	1 pc	6 Recovery	 2 pcs
G	 Round Table	1 pc		
H	 Panel Side Frame H	2 pcs		

Component

Hardware

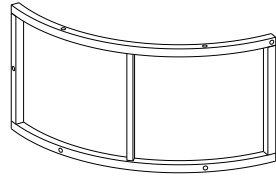
I Left Back Frame I 	1 pc	7 Seat Cushion  8 pcs
K Left Back Frame K 	1 pc	8 Round Cushion  1 pc
L Frame L 	3pcs	9 Path  36 pcs
M Frame M 	1 pc	10 Back Pillow  3 pcs
N Frame N 	1 pc	11 Allen key  1 pc
O Frame O 	8 pcs	12 Washer M8x10 mm  4 pcs
P Frame P 	3pcs	

Component

Component

A1

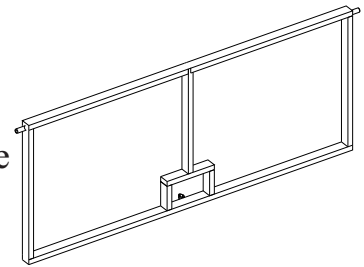
Inside Frame



1 pc

D1

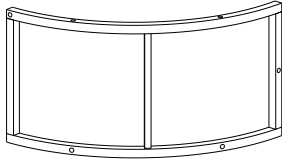
Lid Open Frame



2 pcs

A2

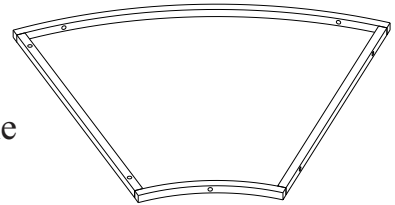
Inside Frame



1 pc

Q

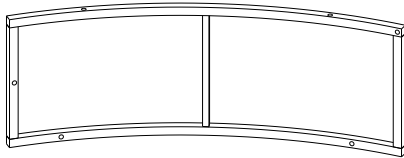
Bottom Frame



1 pc

B1

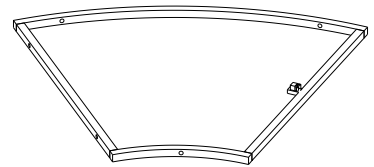
Outside Frame



1 pc

Q1

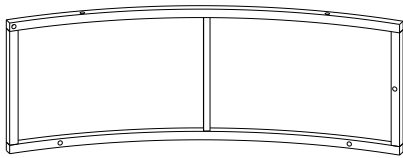
Bottom Frame



1 pc

B2

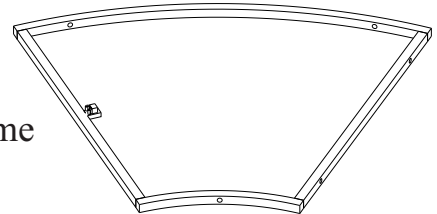
Outside Frame



1 pc

Q2

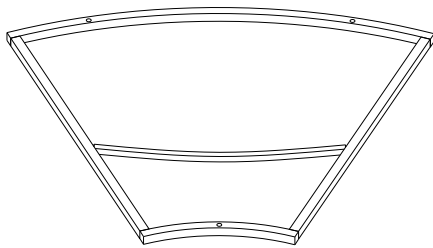
Bottom Frame



1 pc

C1

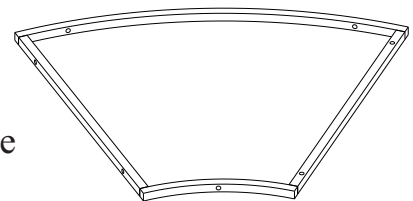
Top Frame



1 pc

Q3

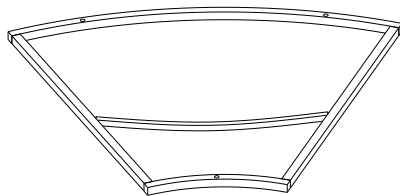
Bottom Frame



1 pc

C2

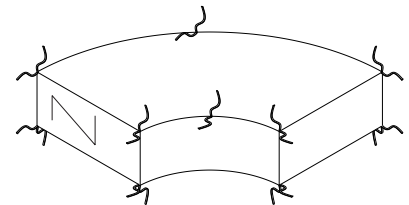
Top Frame



1 pc

R

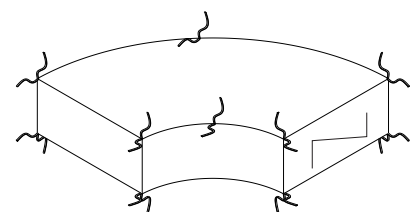
Rain Cover



1 pc

R1

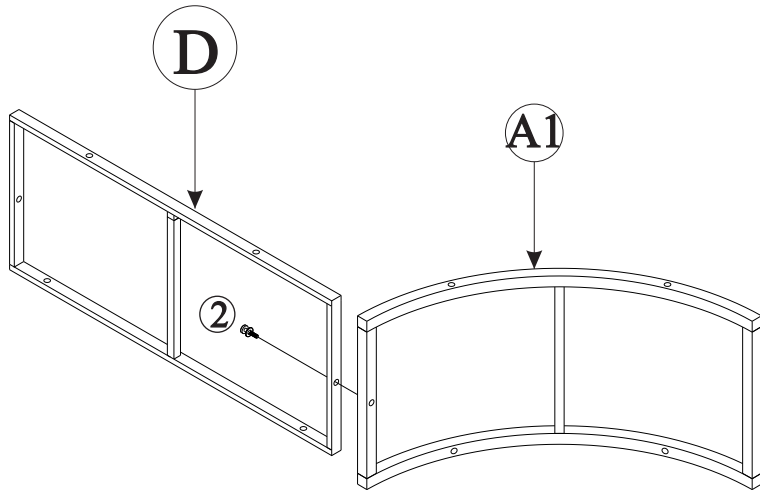
Rain Cover



1 pc

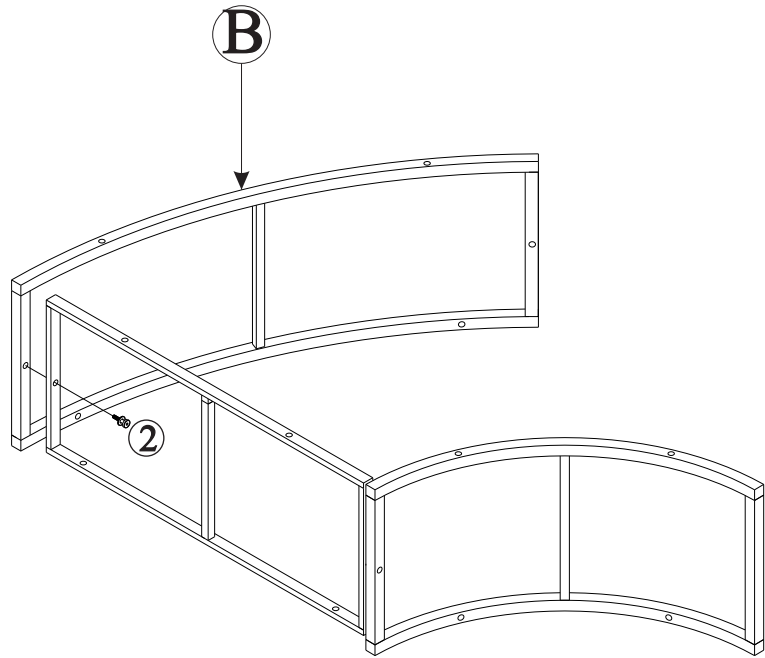
STEP 1

Connect Inside Frame (A1) & Panel Side Frame (D) with Bolt (2)



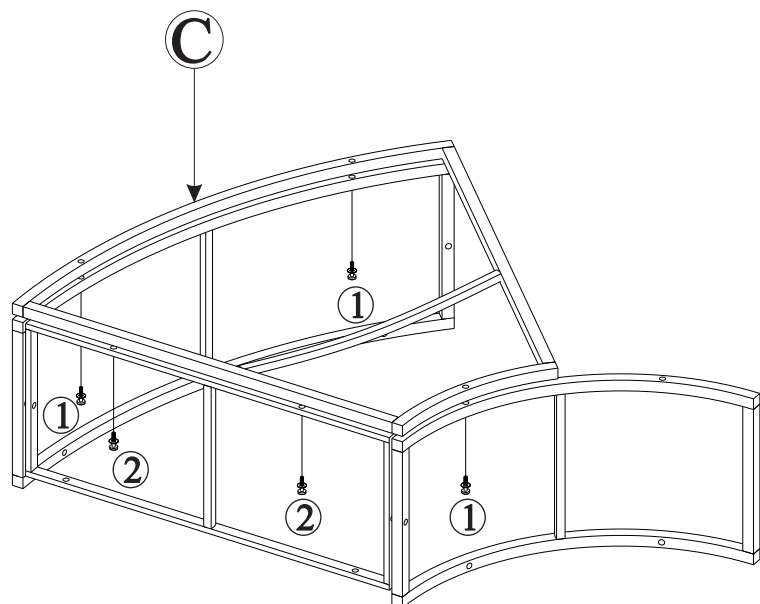
STEP 2

Connect part from STEP 1 & Outside Frame (B) with Bolt (2)



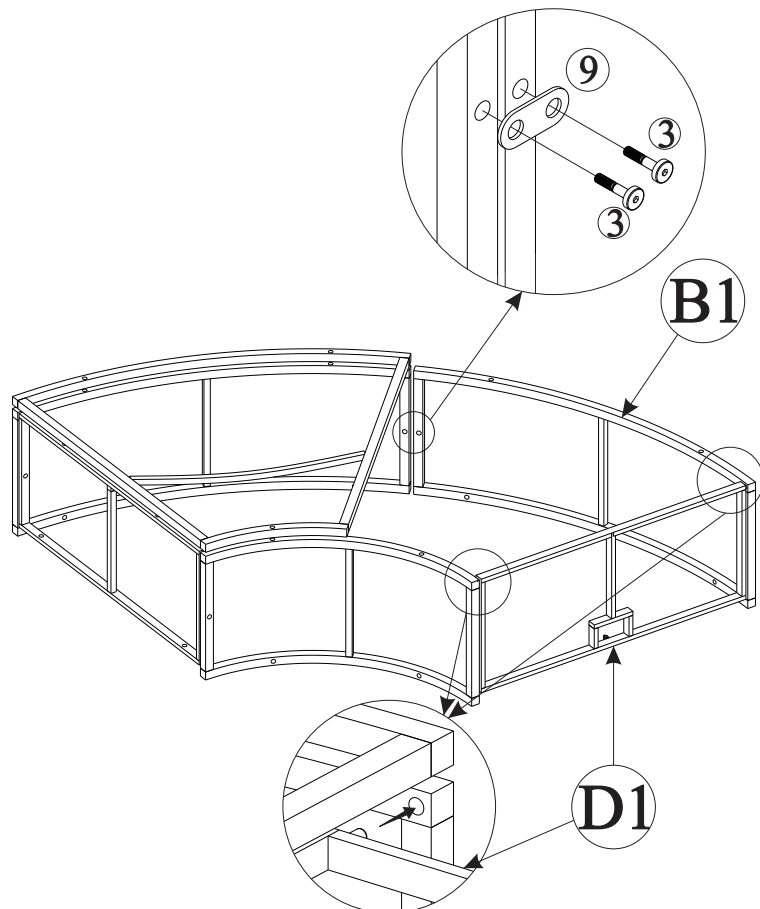
STEP 3

Connect part from STEP 2 & Top Frame (C) with Bolt (1) & (2)



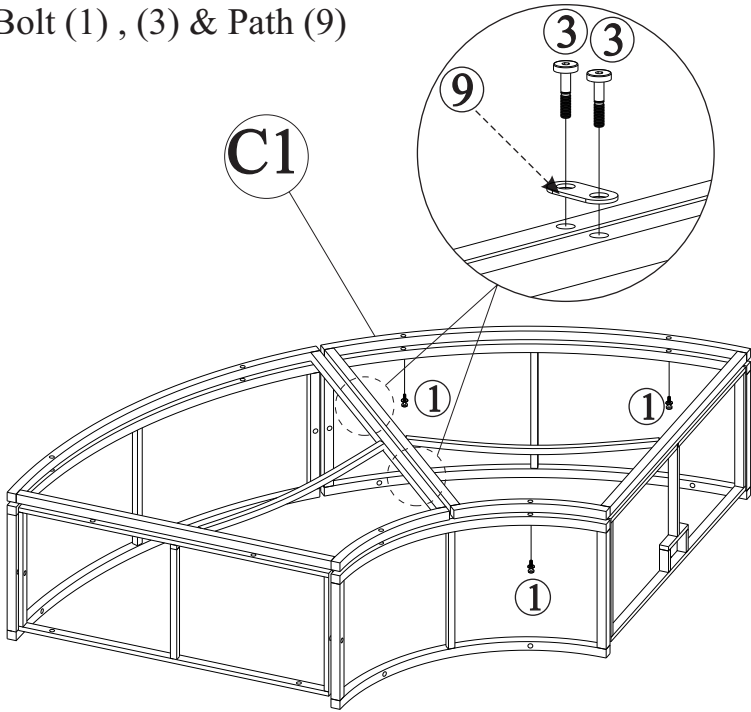
STEP 4

Connect part from STEP 3, Lid Open Frame (D1) & Outside Frame (B1) with Bolt (3) & Path (9)



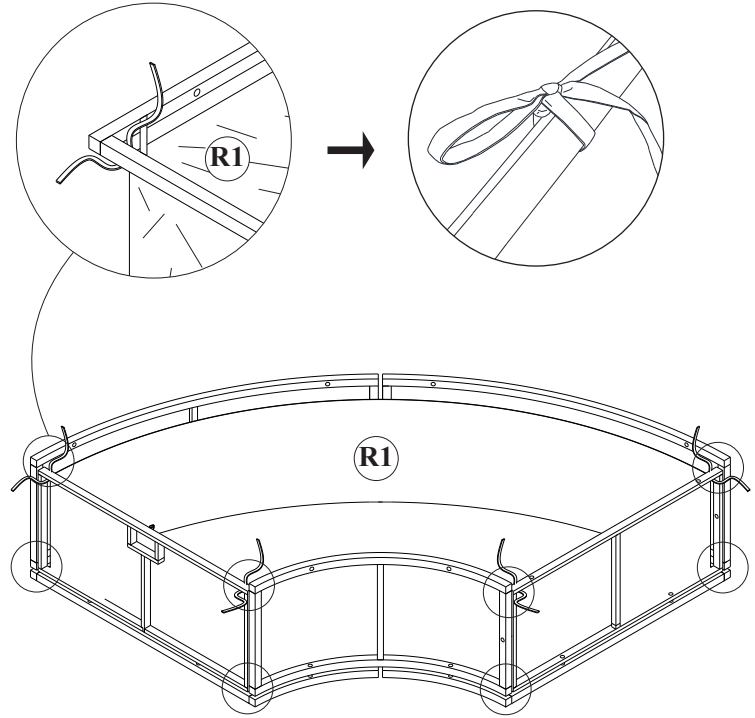
STEP 5

Connect part from STEP 4 & Top Frame (C1) with Bolt (1) , (3) & Path (9)



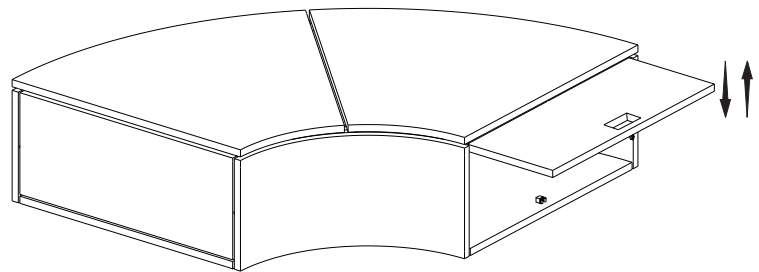
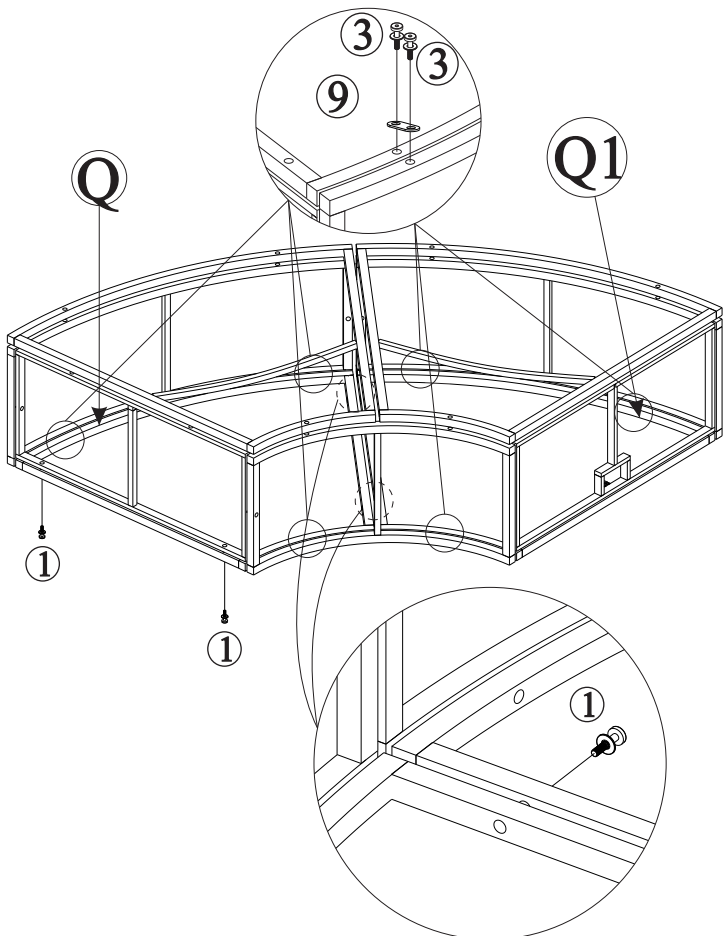
STEP 6

Connect part from STEP 5 & Rain Cover (R1)



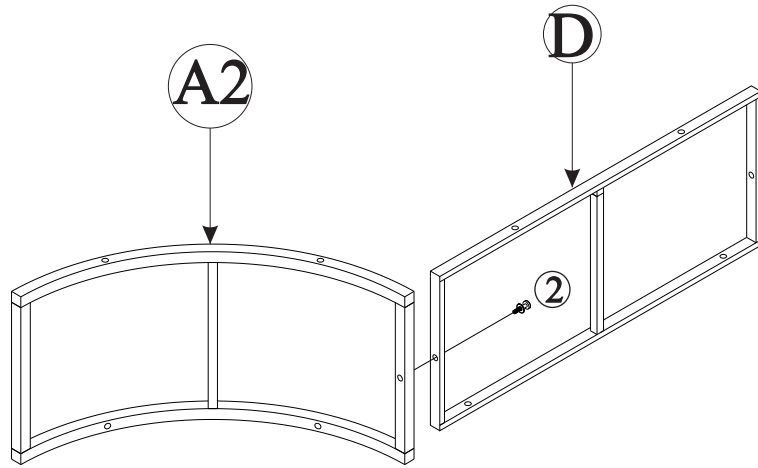
STEP 7

Connect part from STEP 6 & Bottom Frame (Q), (Q1) with Bolt (1), (3) & Path (9)



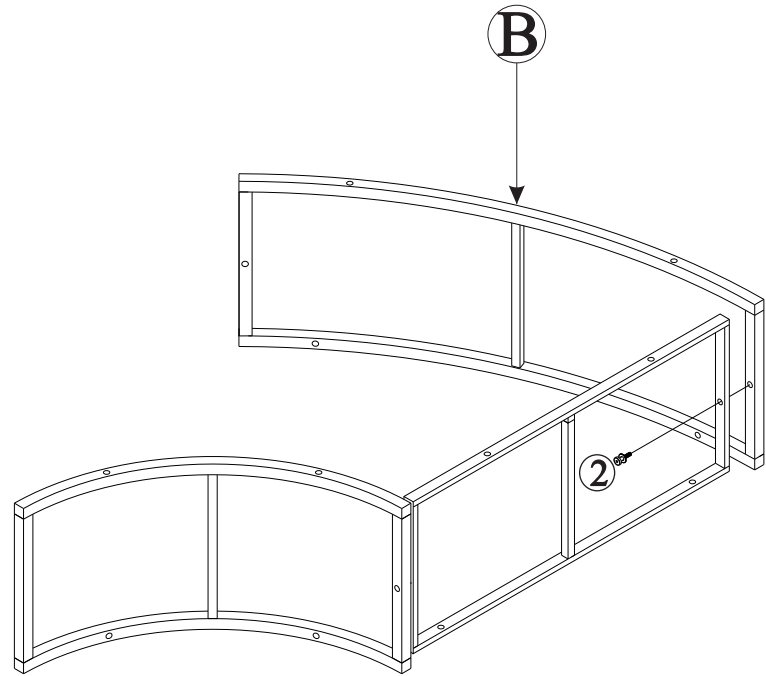
STEP 8

Connect Inside Frame (A2) & Panel Side Frame D (D) with Bolt (2)



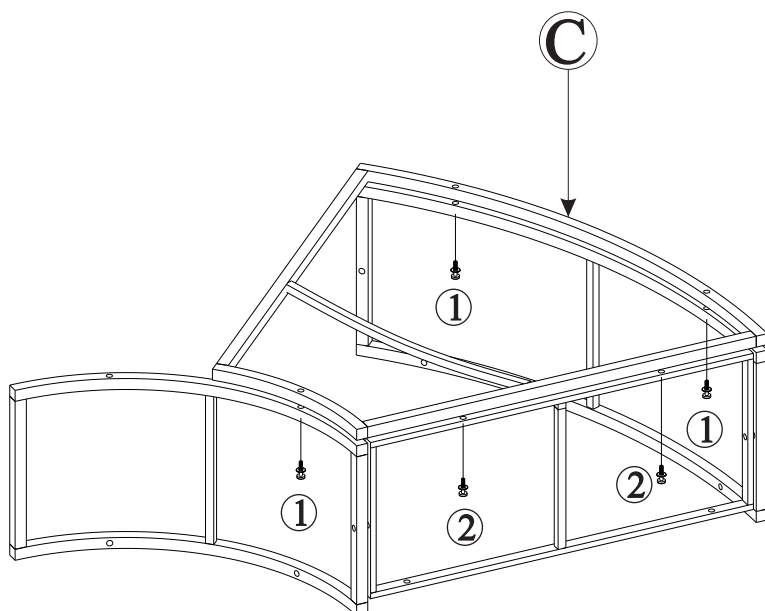
STEP 9

Connect part from STEP 8 & Outside Frame (B) with Bolt (2)



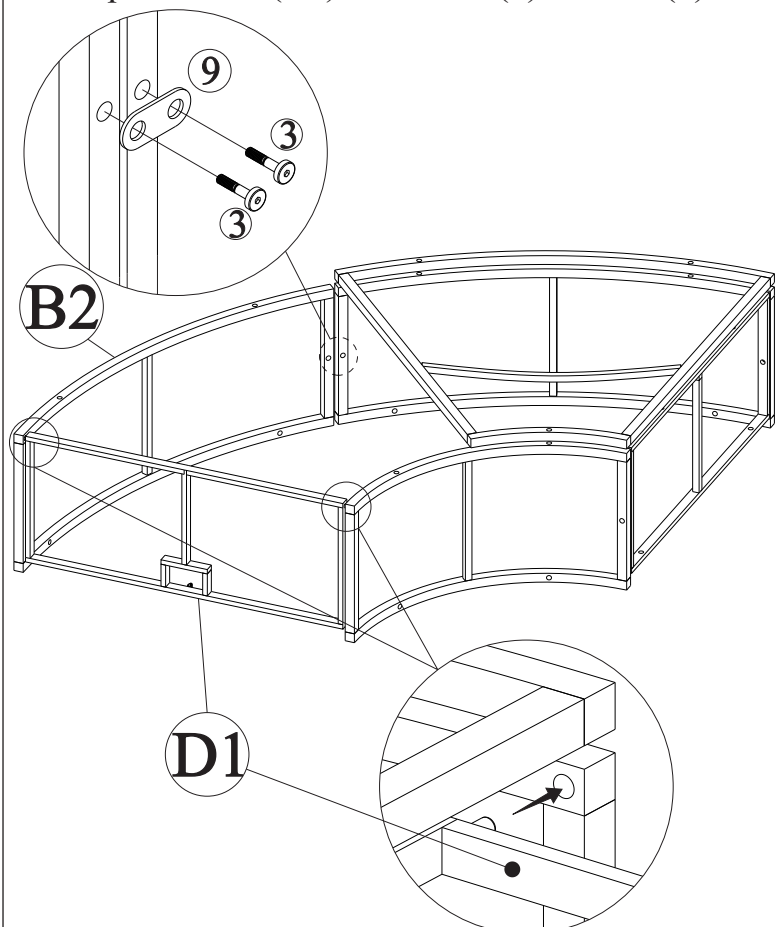
STEP 10

Connect part from STEP 9 & Top Frame (C) with Bolt (1) & (2)



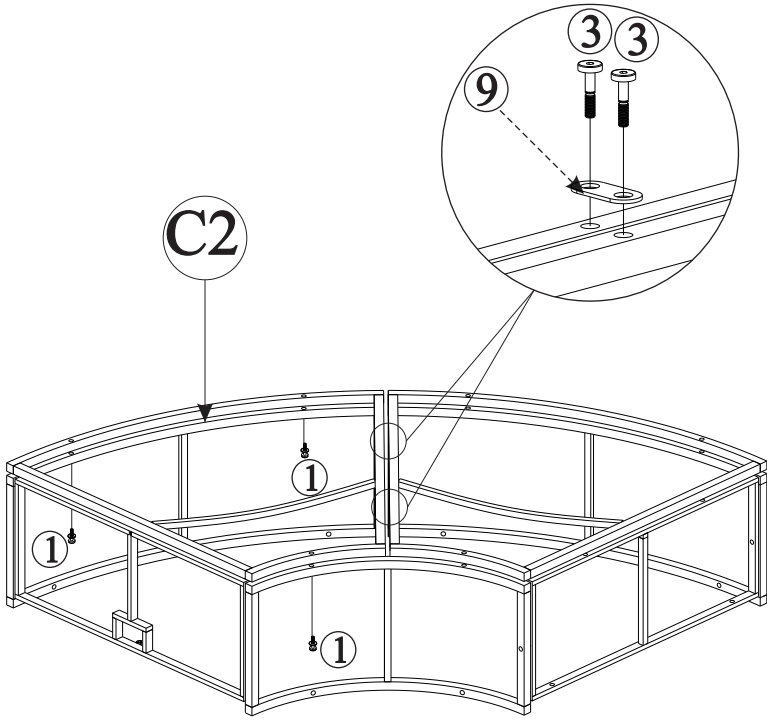
STEP 11

Connect part from STEP 10, Outside Frame (B2) & Lid Open Frame (D1) with Bolt (3) & Path (9)



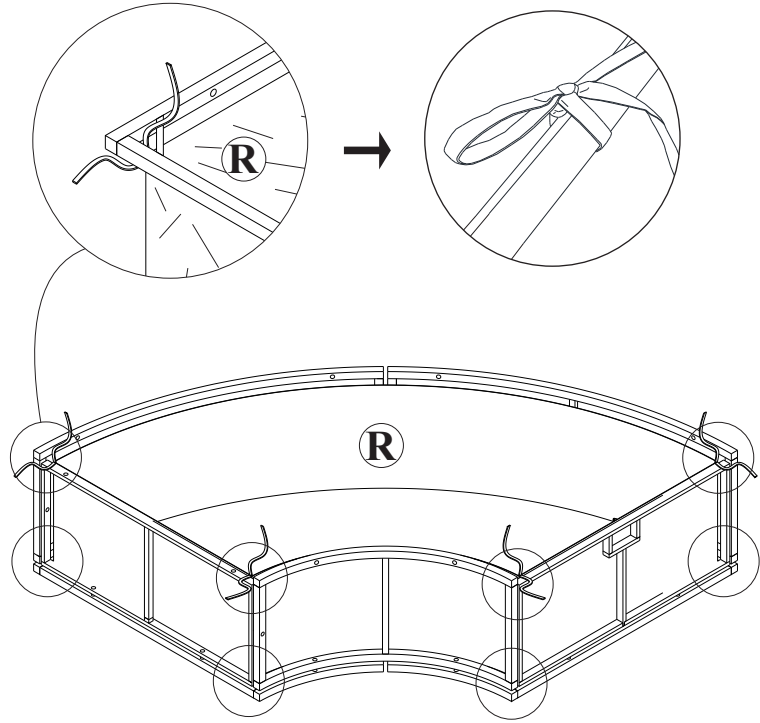
STEP 12

Connect part from STEP 11 & Top Frame (C2) with Bolt (1), (3) & Path (9)



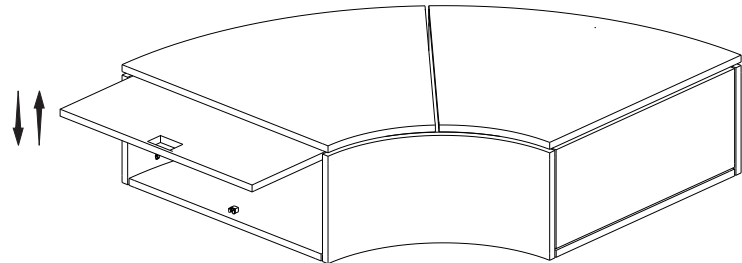
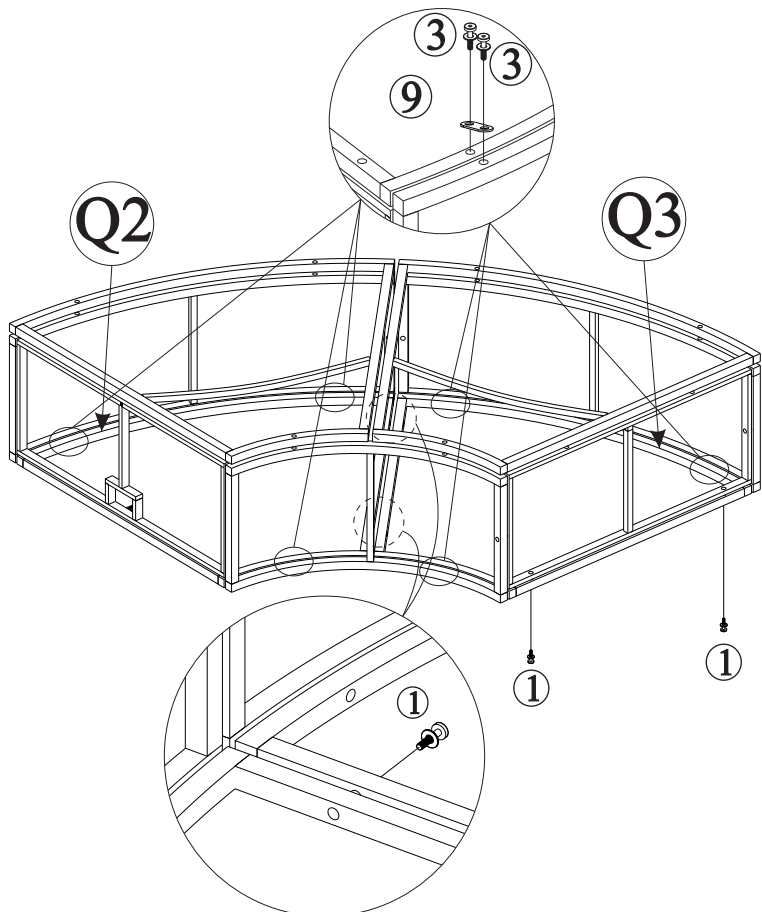
STEP 13

Connect part from STEP 12 & Rain Cover (R)



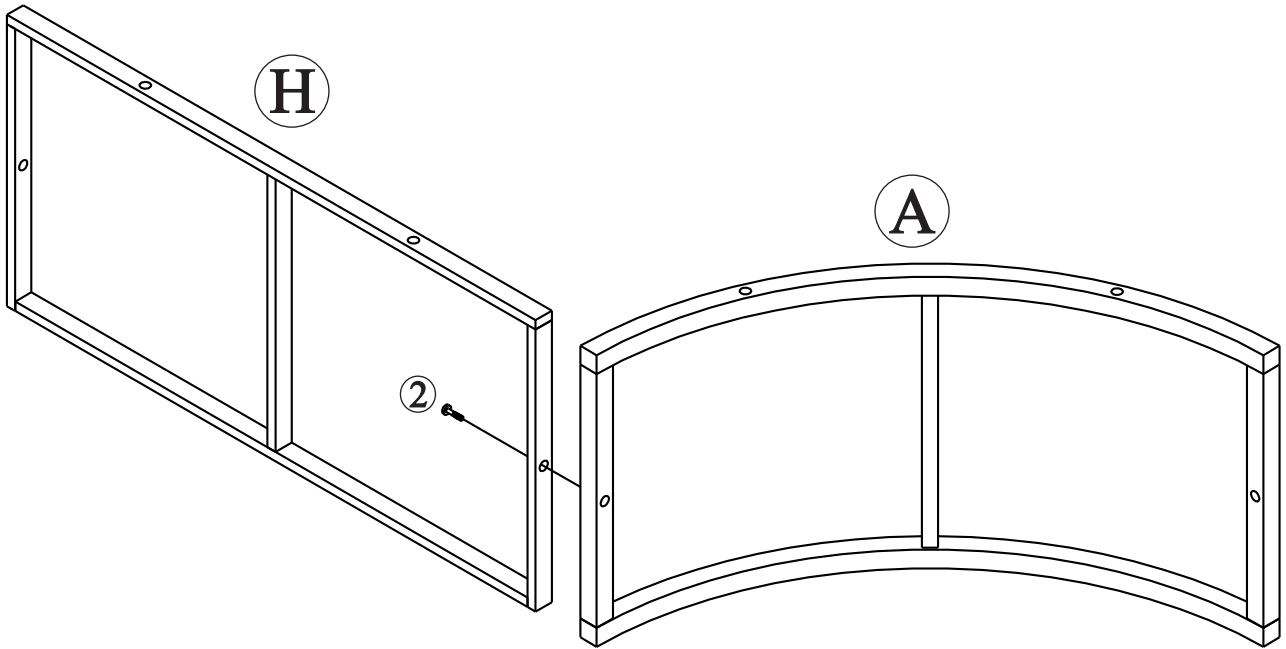
STEP 13'

Connect part from STEP 13 & Bottom Frame (Q2), (Q3) with Bolt (1), (3) & Path (9).



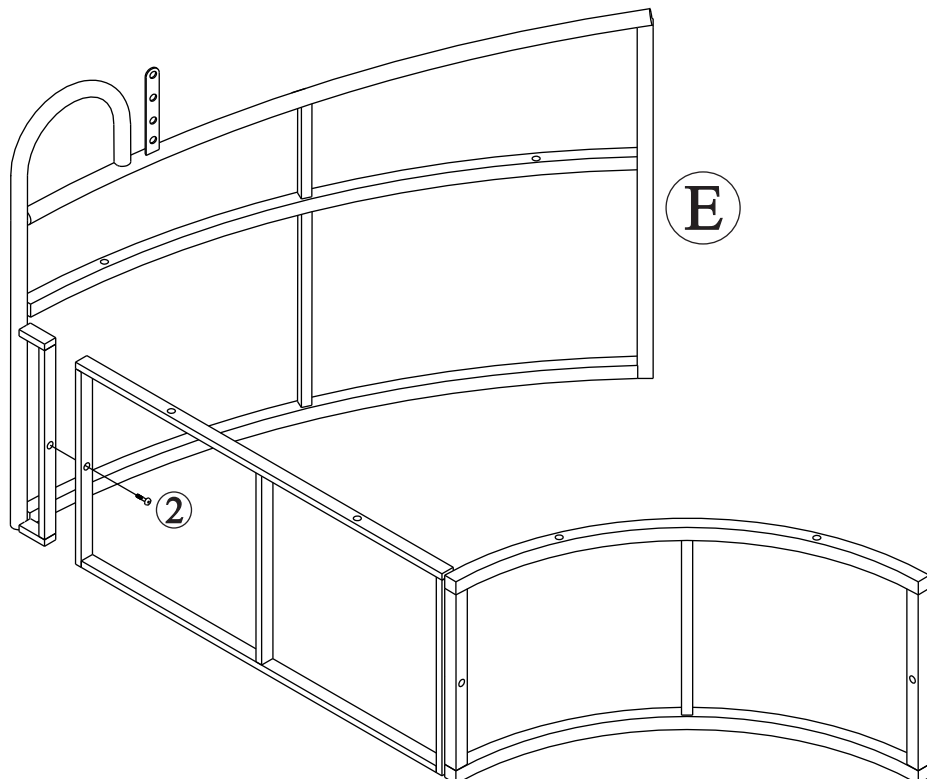
STEP 13

Connect Inside Frame (A) & Panel Side Frame (H) with Bolt (2)



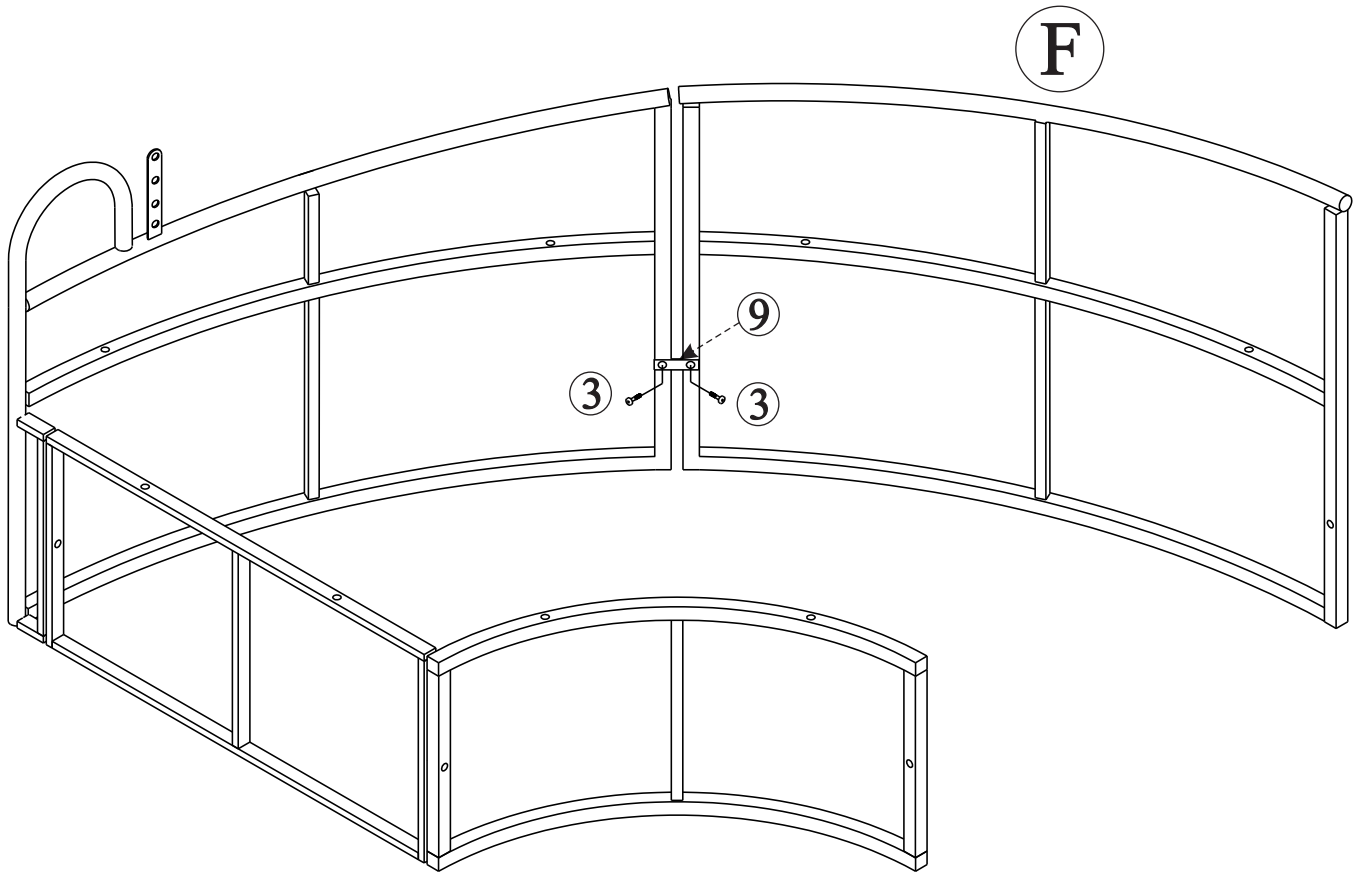
STEP 14

Connect part from STEP 3 & Right Back Frame E (E)



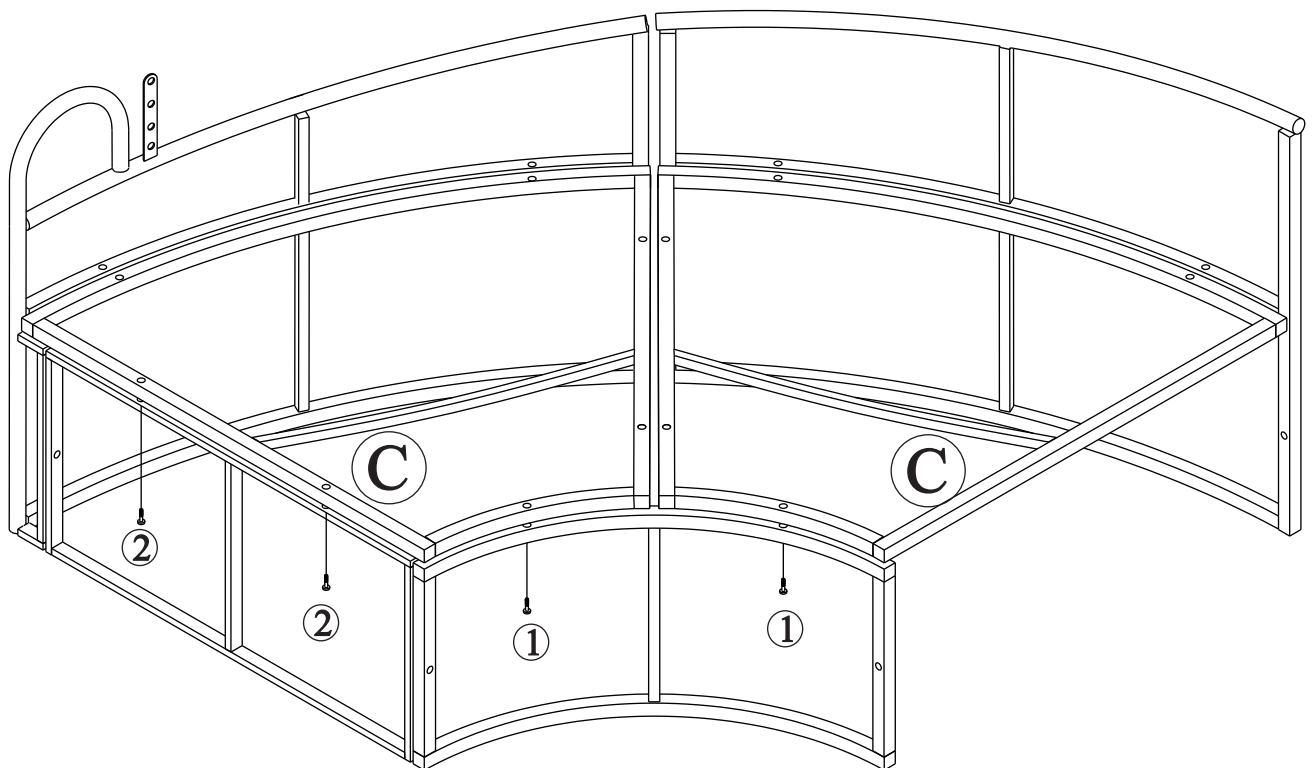
STEP 15

Connect part from STEP 14 & Right Back Frame F (F) with Bolt (3) & Path (9)



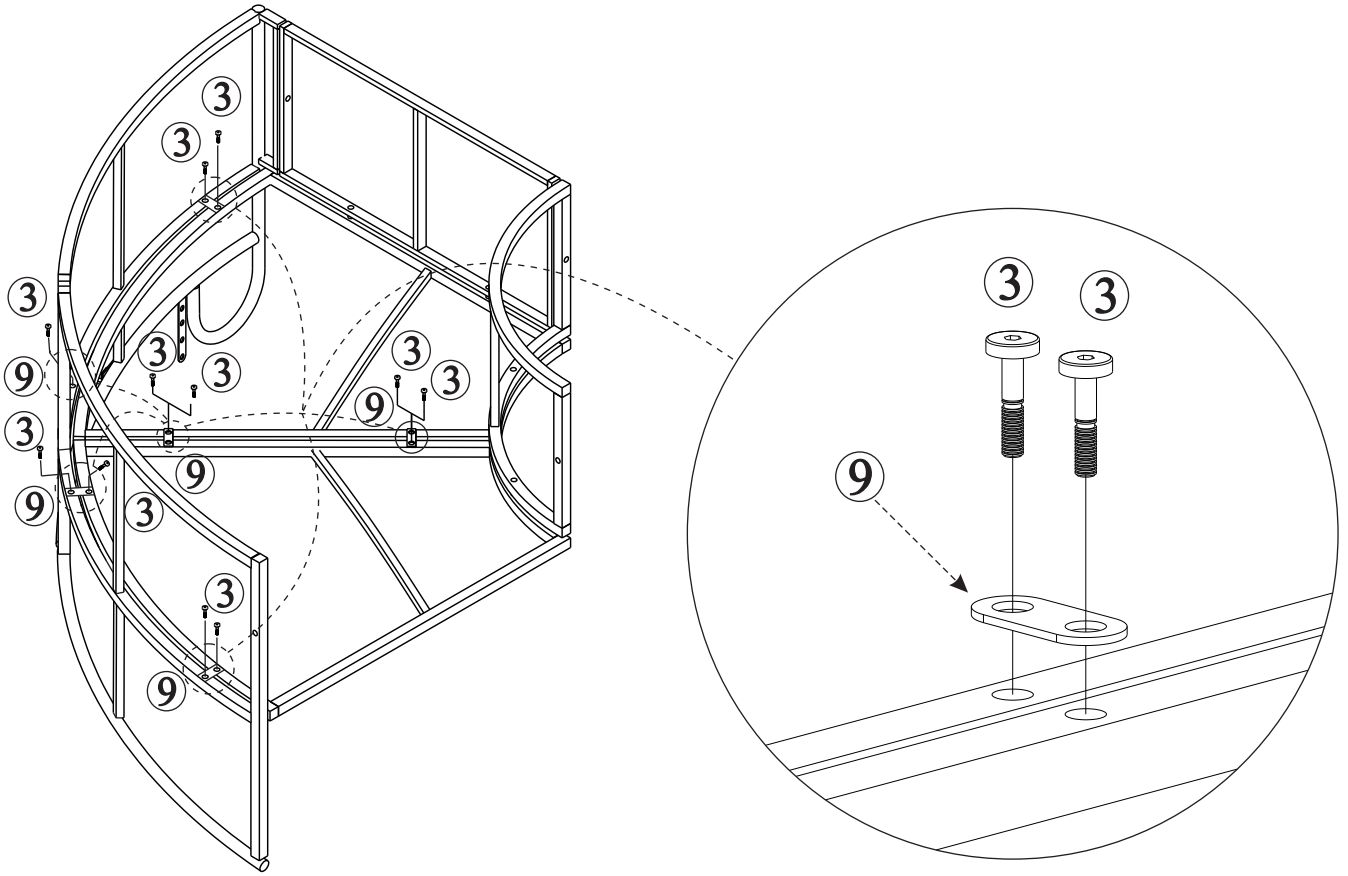
STEP 16

Connect part from STEP 15 & 2pcs Top Frame (C) with Bolt (1) & (2)



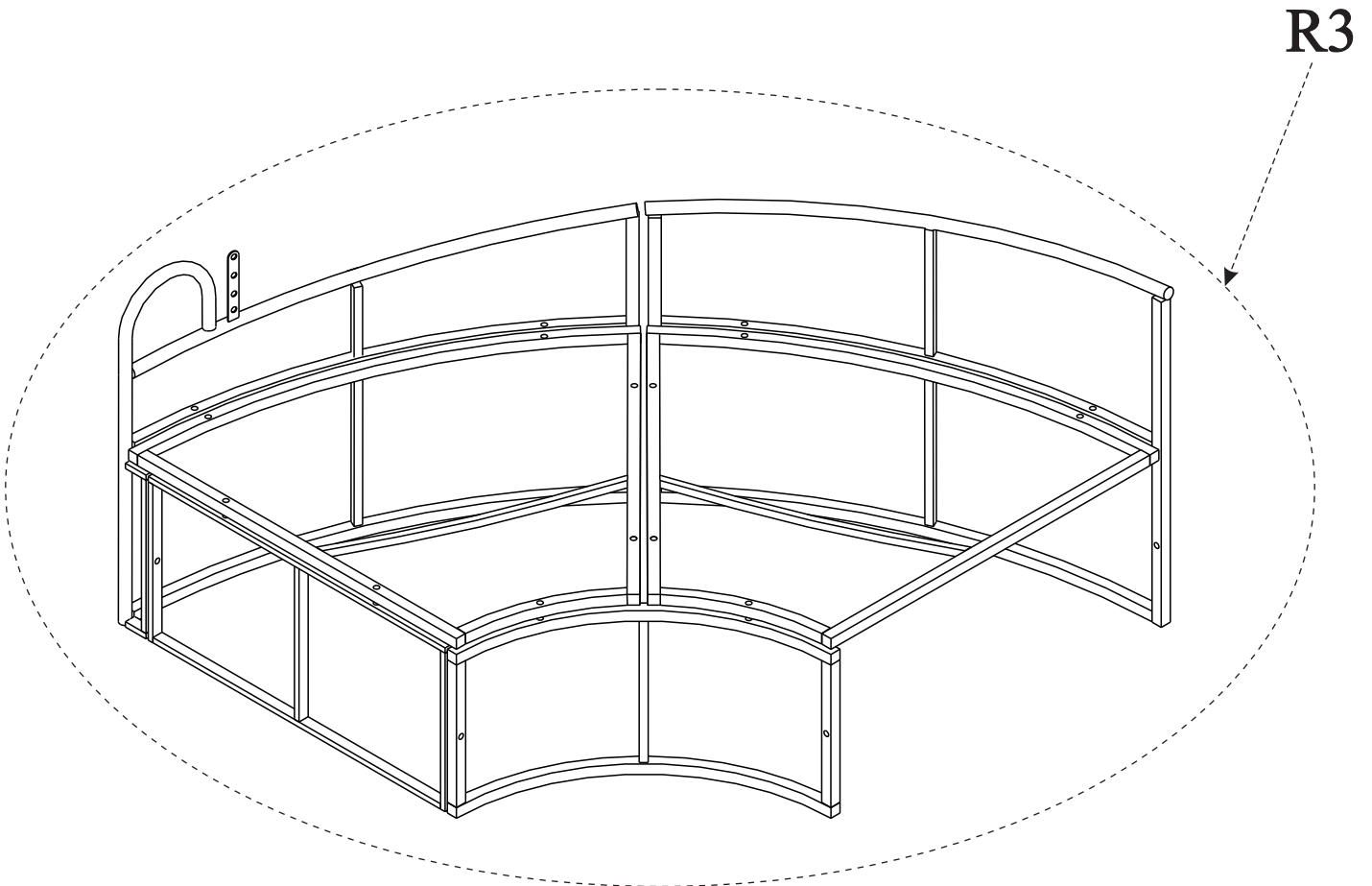
STEP 17

Overtum STEP 16, Connect part from STEP 16 with Path (9) & Bolt (3)



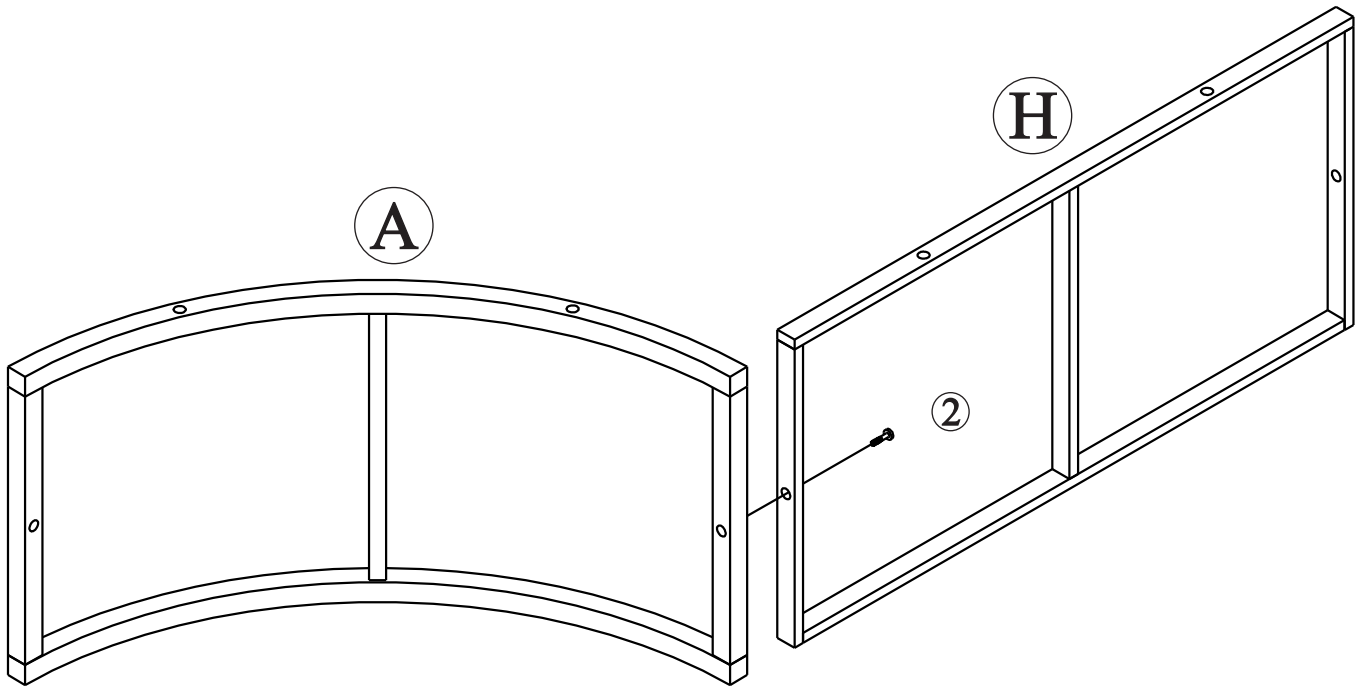
STEP 18

Overtum STEP 17 to complete the corner R3



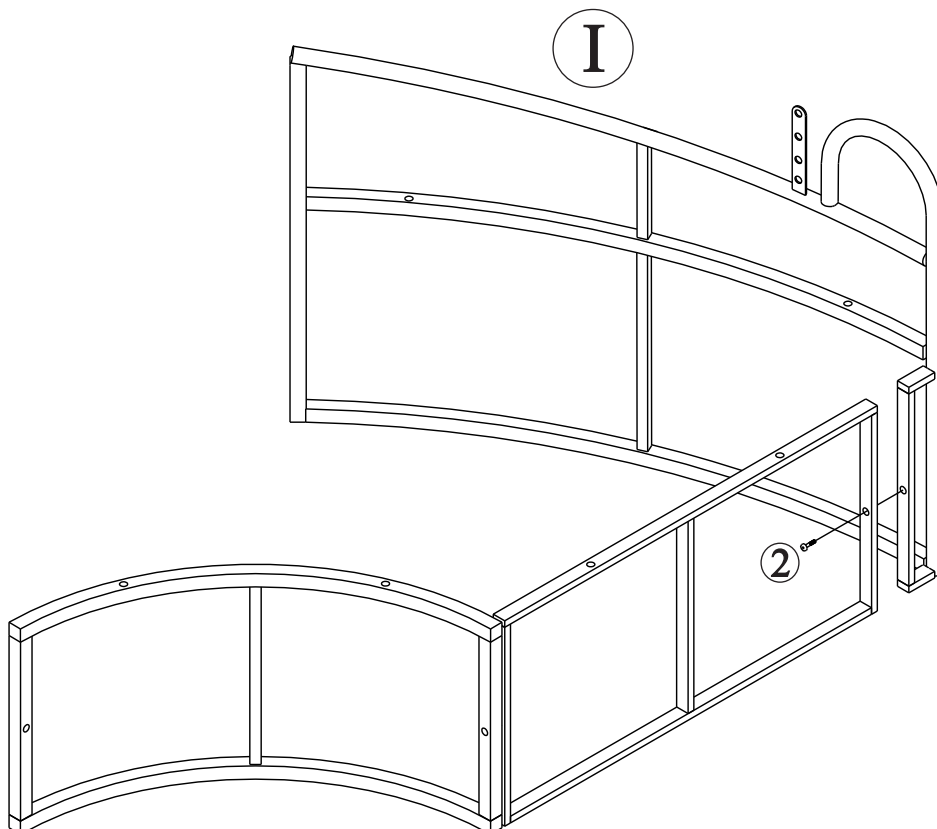
STEP 19

Connect Inside Frame (A) & Panel Side Frame H (H) with Bolt (2)



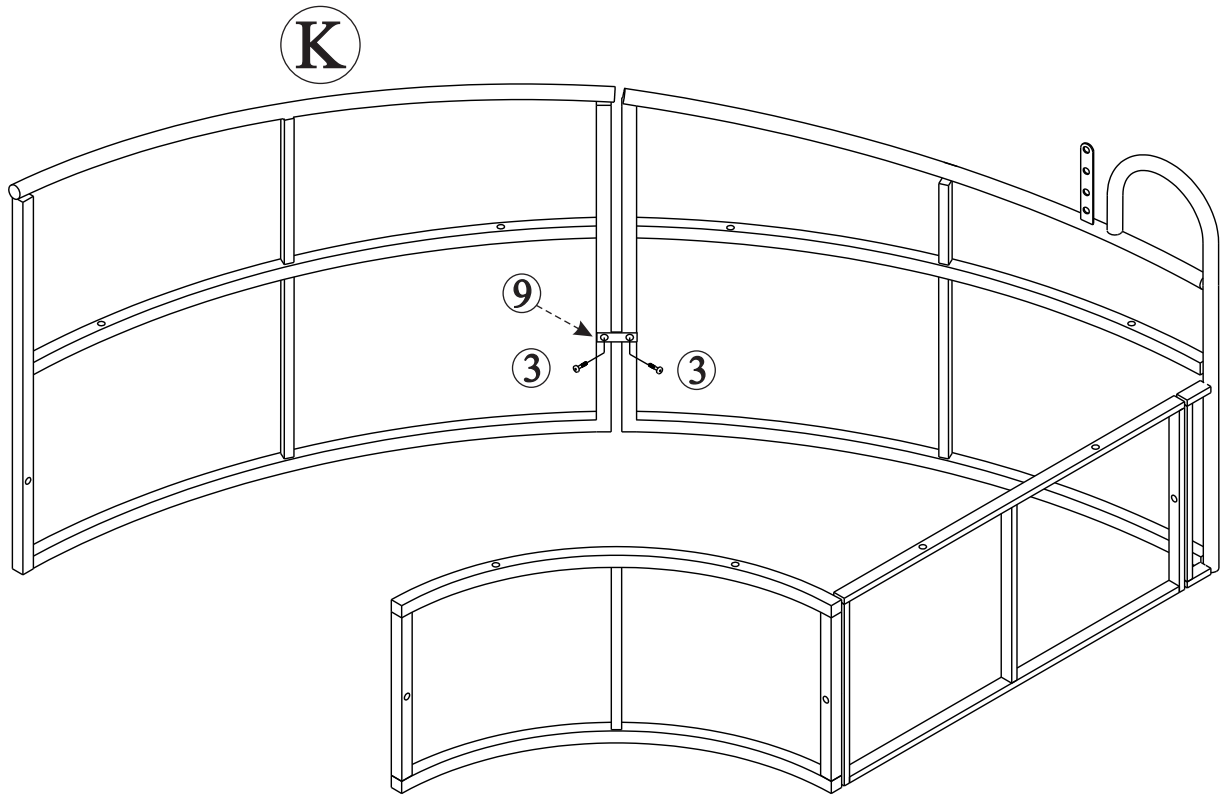
STEP 20

Connect part from STEP 19 & Left Back Frame I (I) with Bolt (2)



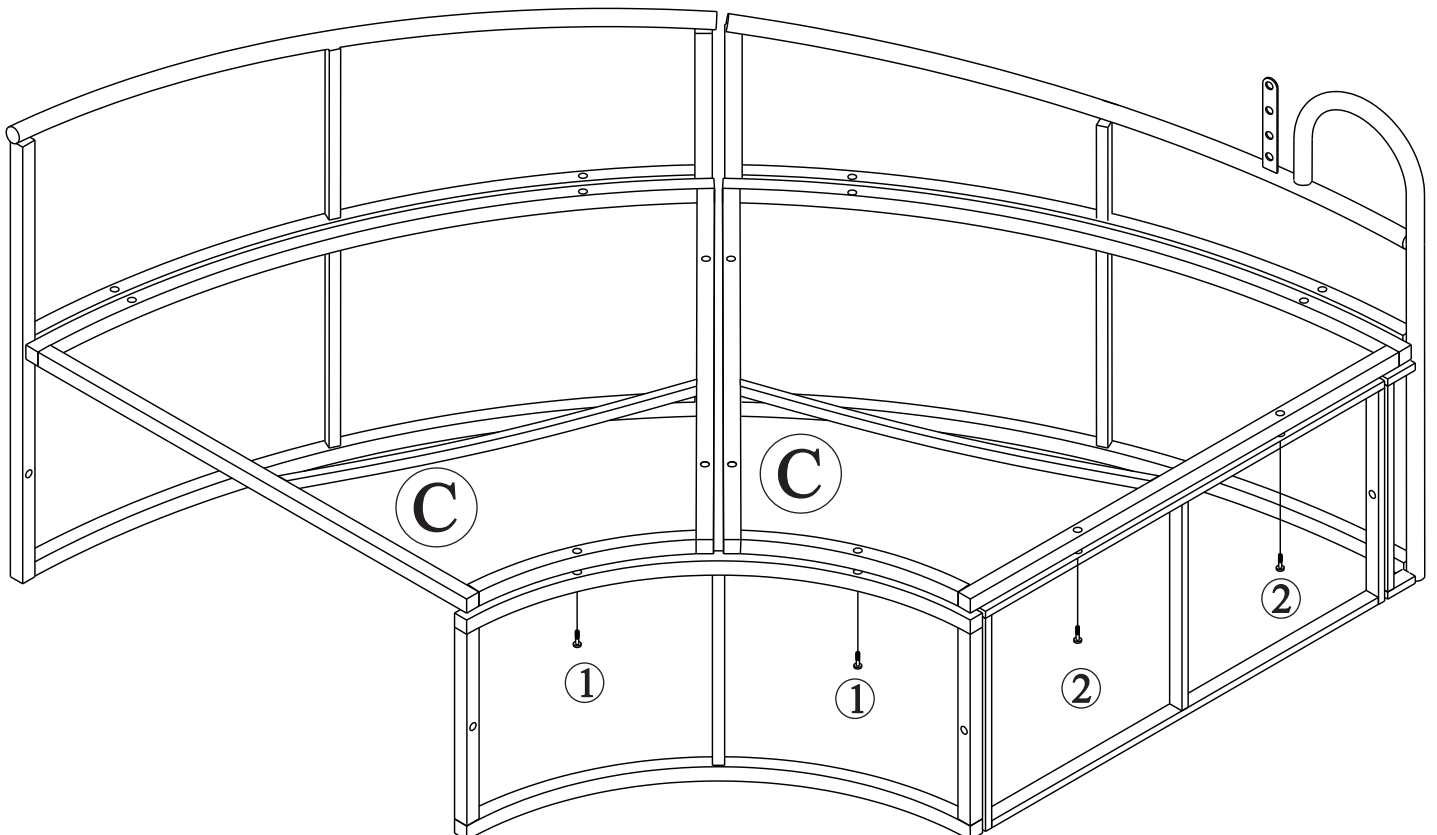
STEP 21

Connect part from STEP 20 & Left Back Frame K (K) with Path (9) & Bolt (3)



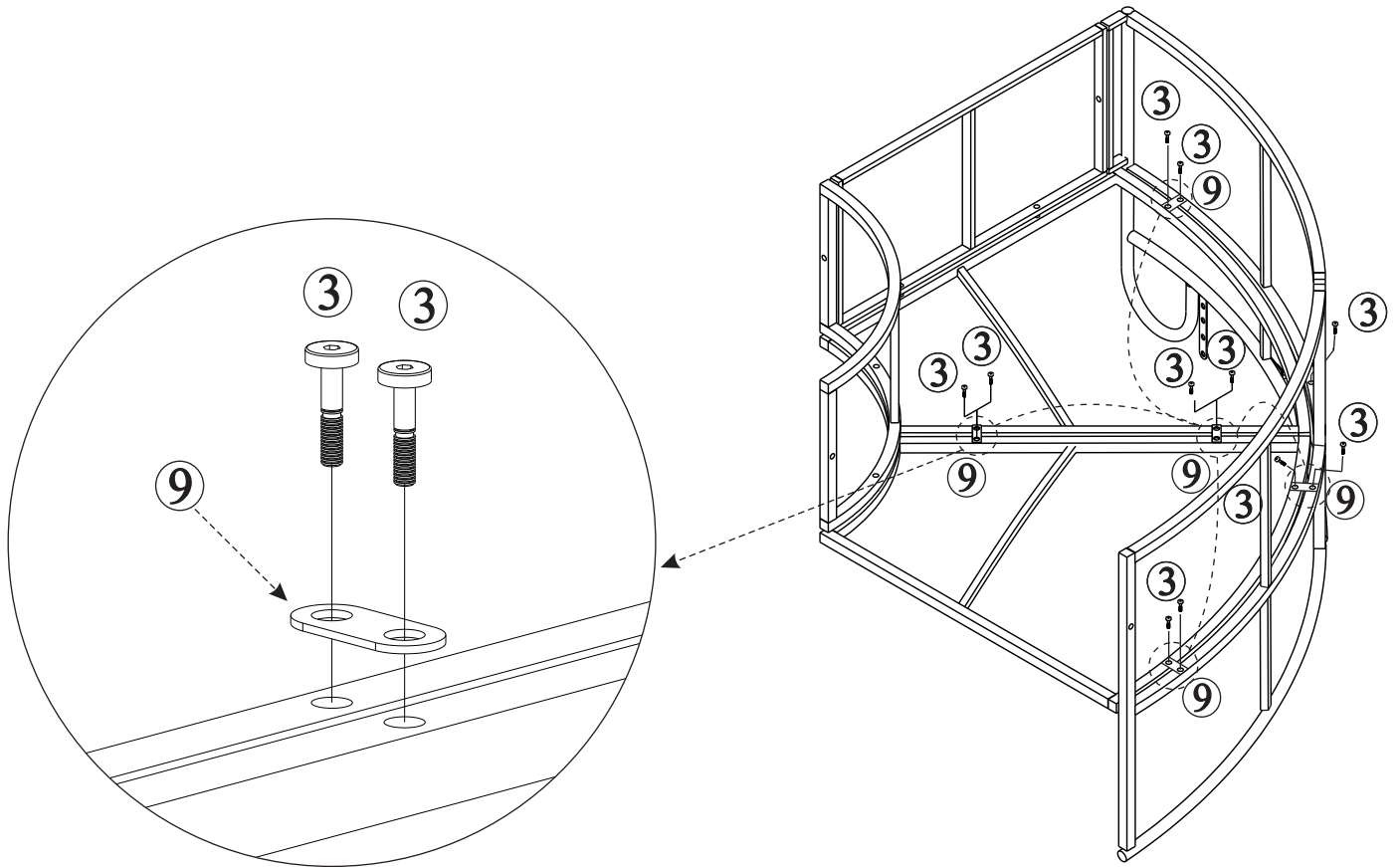
STEP 22

Connect part from STEP 21 & 2x Top Frame C (C) with Bolt (1) & (2)



STEP 23

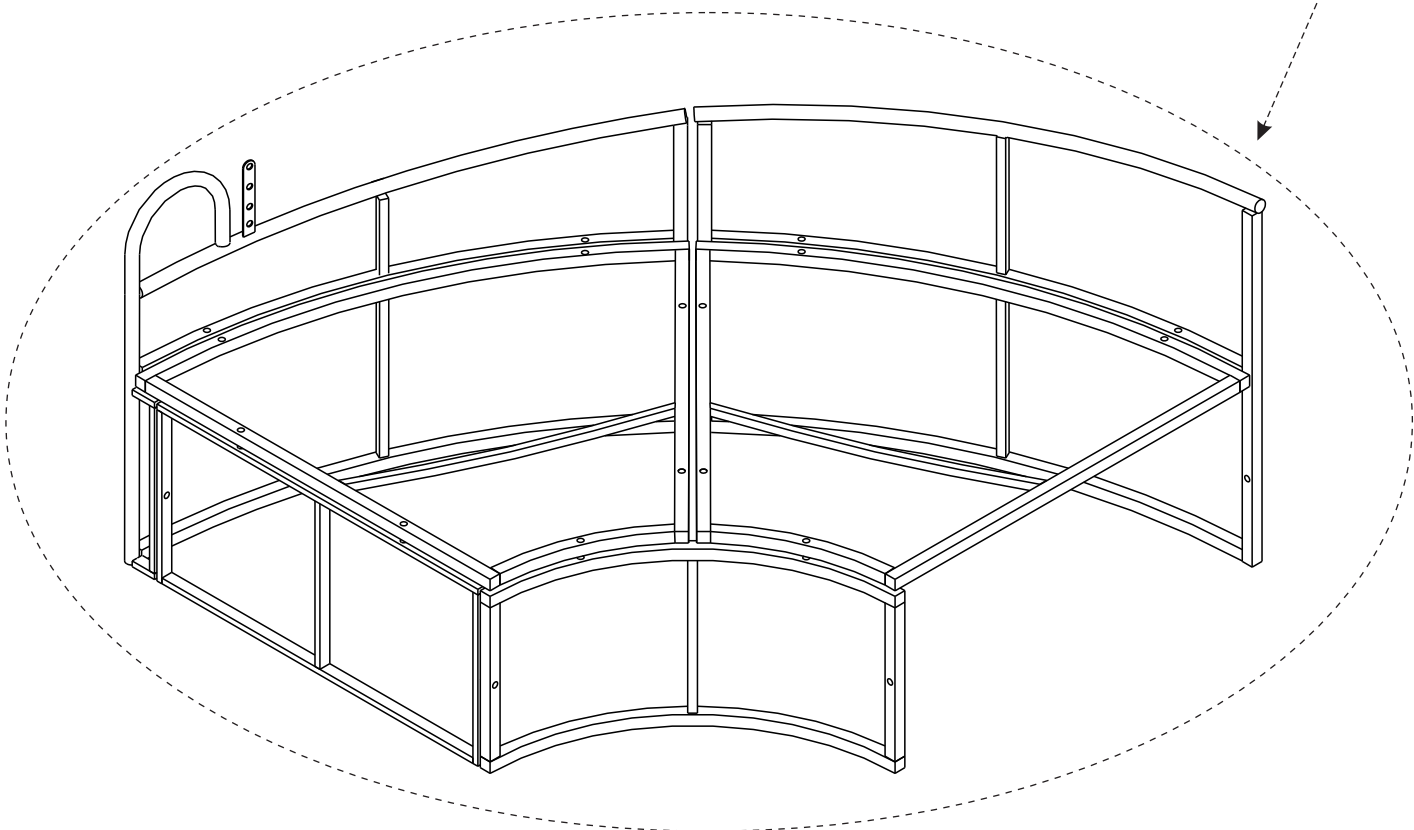
Overturn STEP 18, connect part from STEP 22 with Path (9) & Bolt (3)



STEP 24

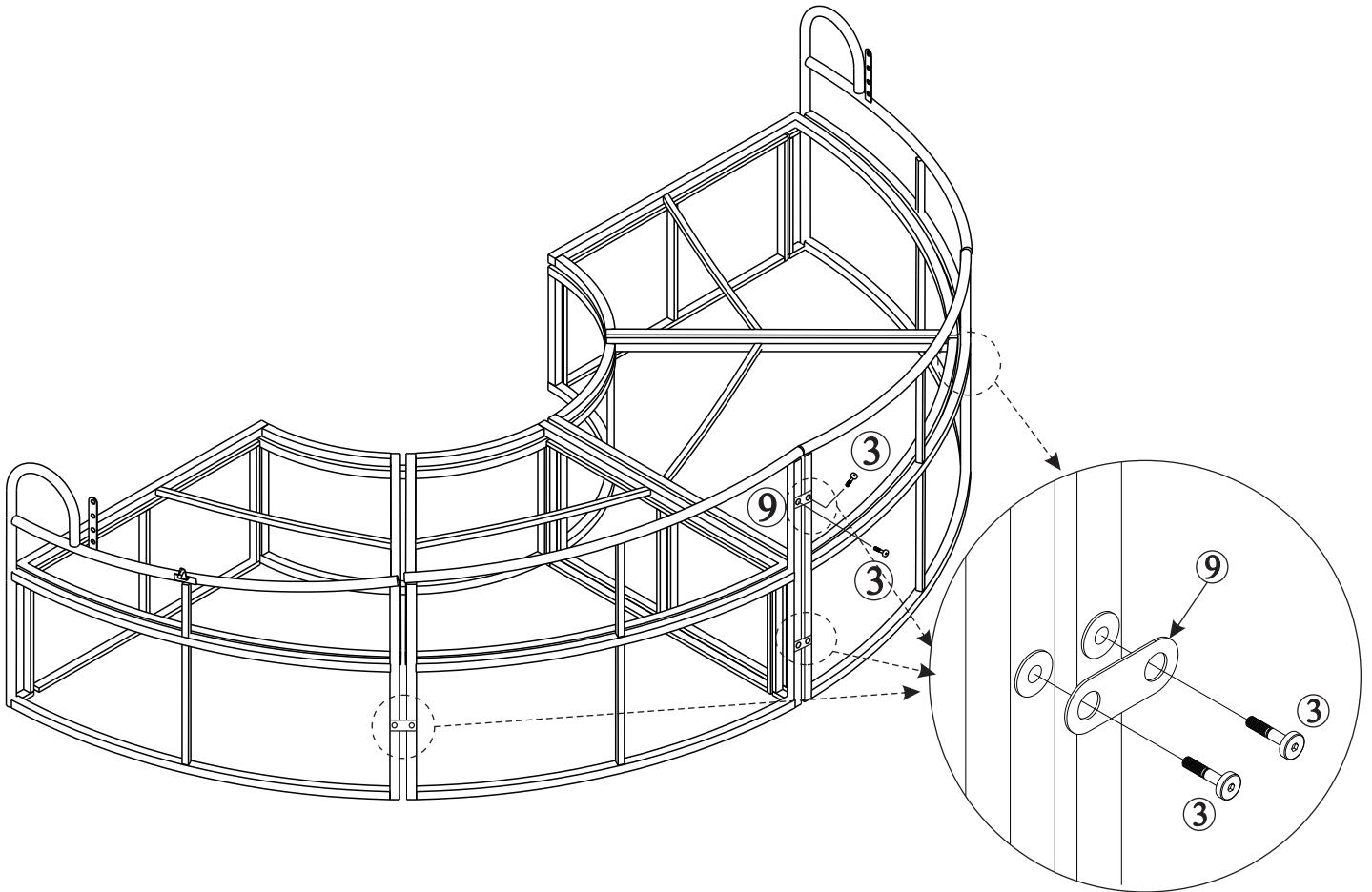
Overturn STEP 23 to complete the corner R4

R4



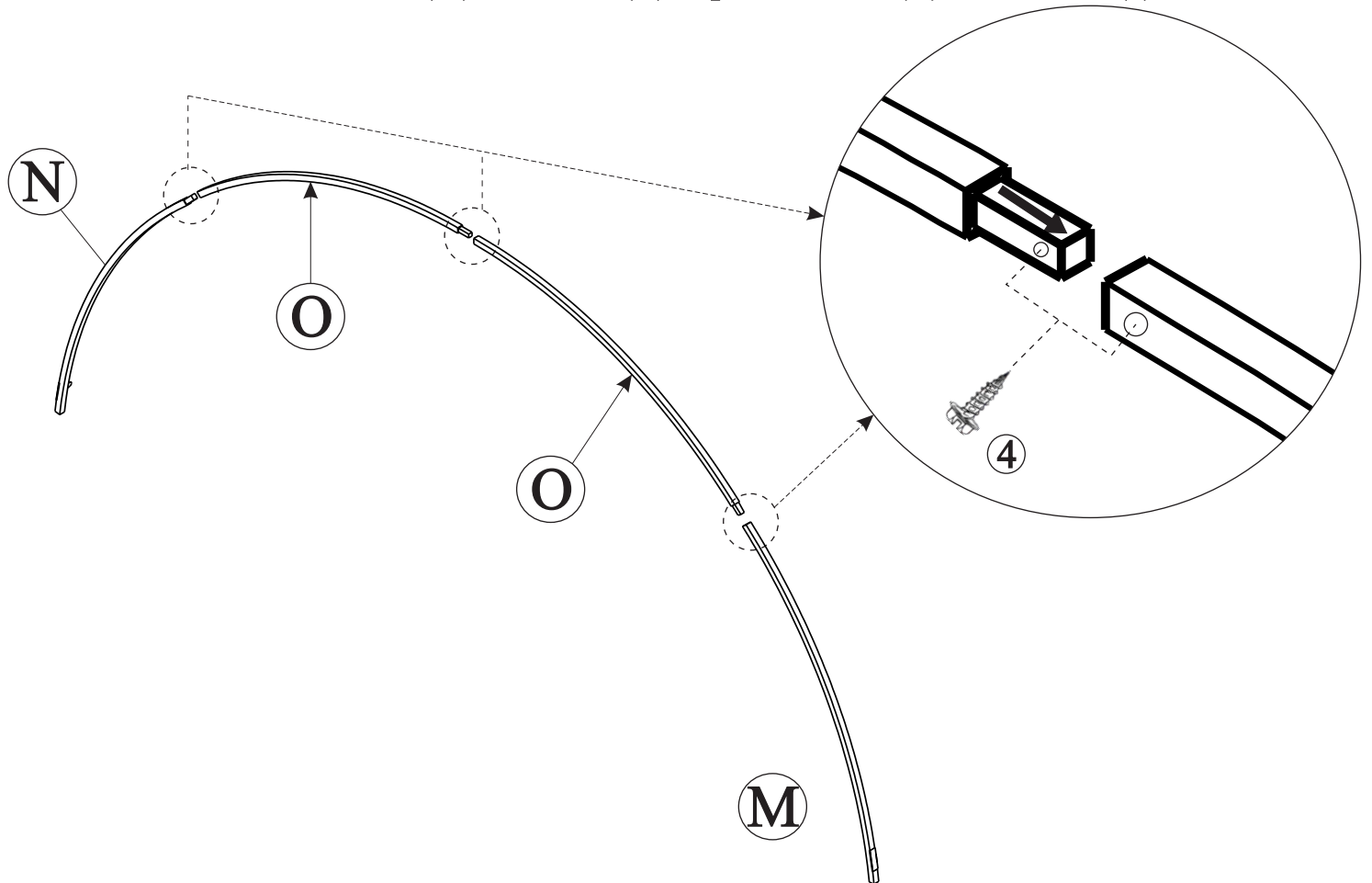
STEP 25

Connect part from STEP 18 & part from STEP 24 with Path (9) & Bolt (3)



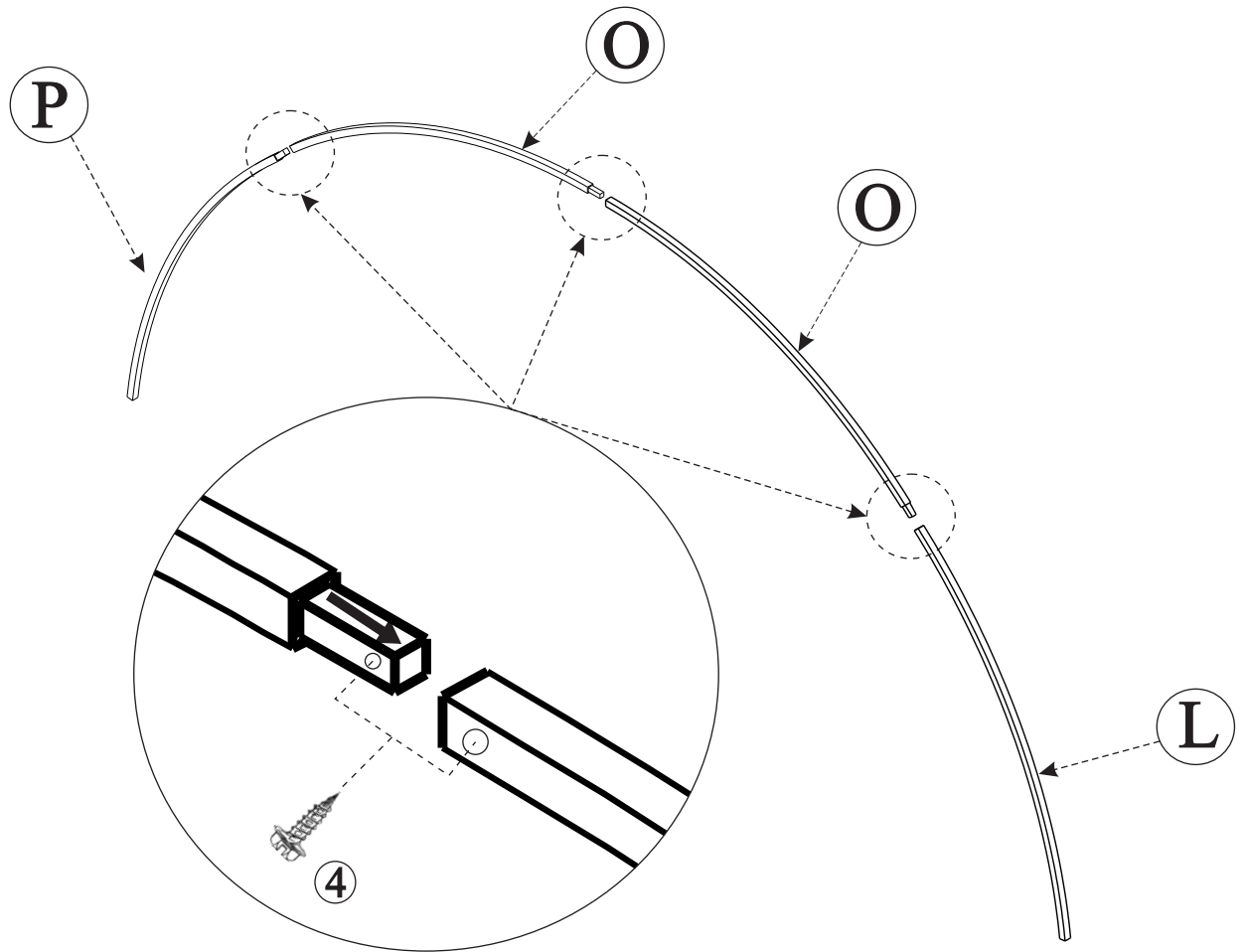
STEP 26 (T1 Assembly)

Connect Frame M (M), Frame N (N), 2 pcs Frame O (O) with Srcw (4)



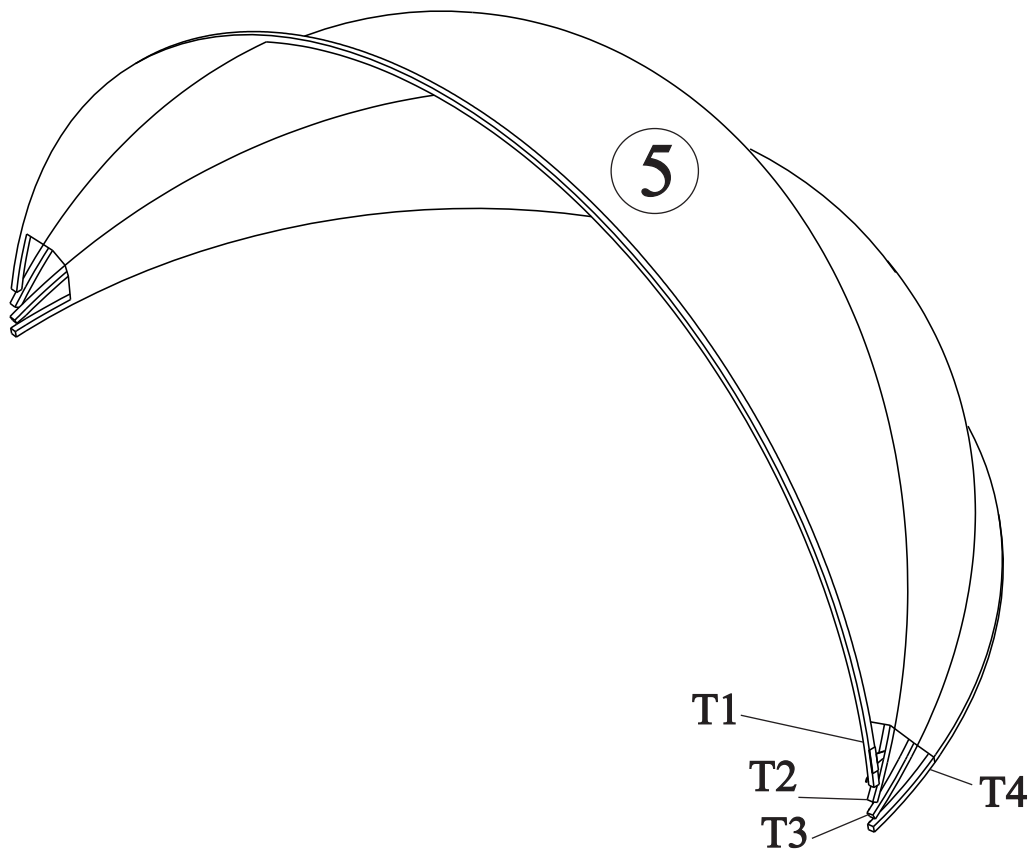
STEP 27 (T2,T3,T4 Assembly)

Connect 2xFrame O (O), Frame L (L) & Frame P (P) with Srcrew (4)



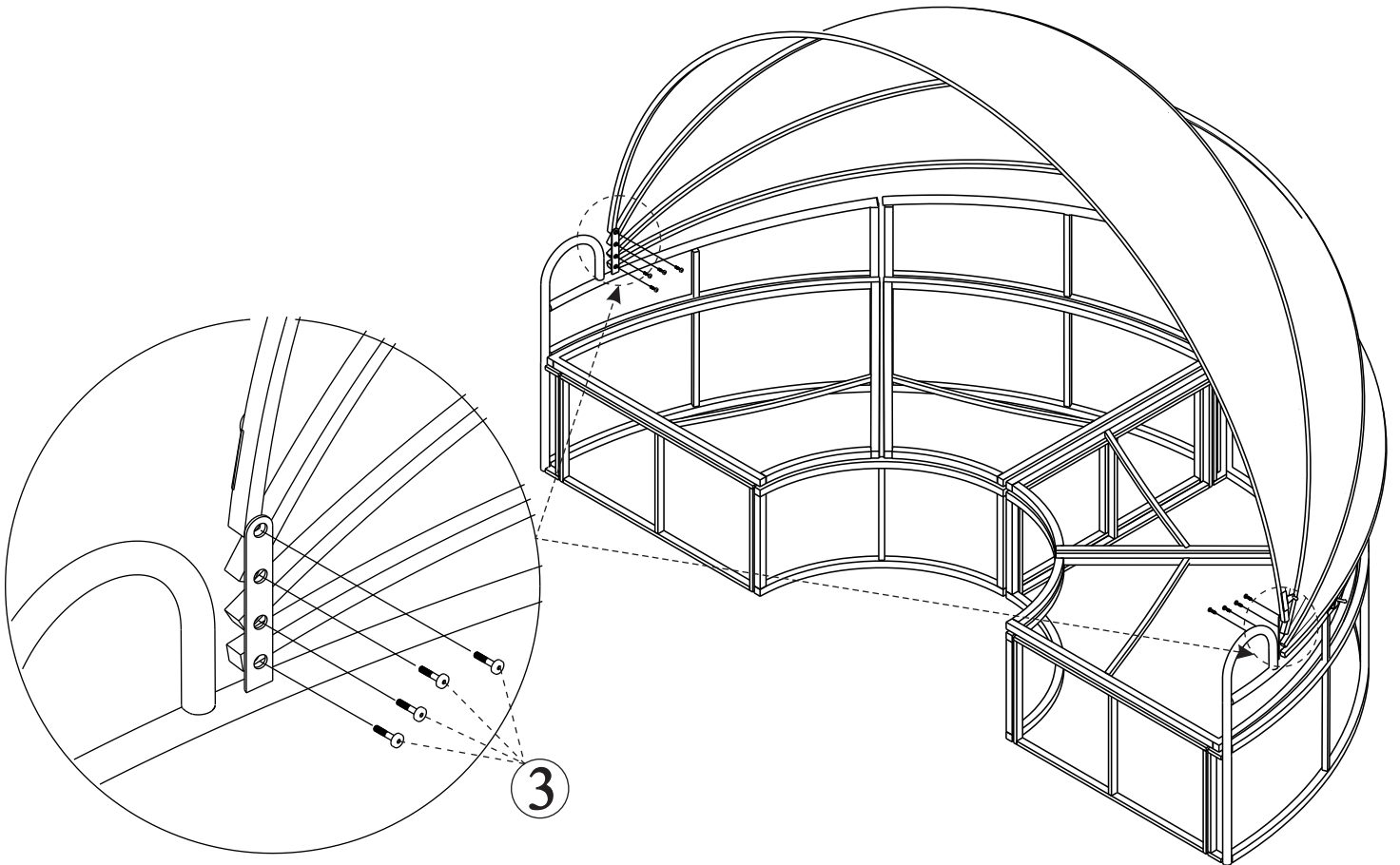
STEP 28

Connect part from STEPS 26 & 27 with Fabric (5)



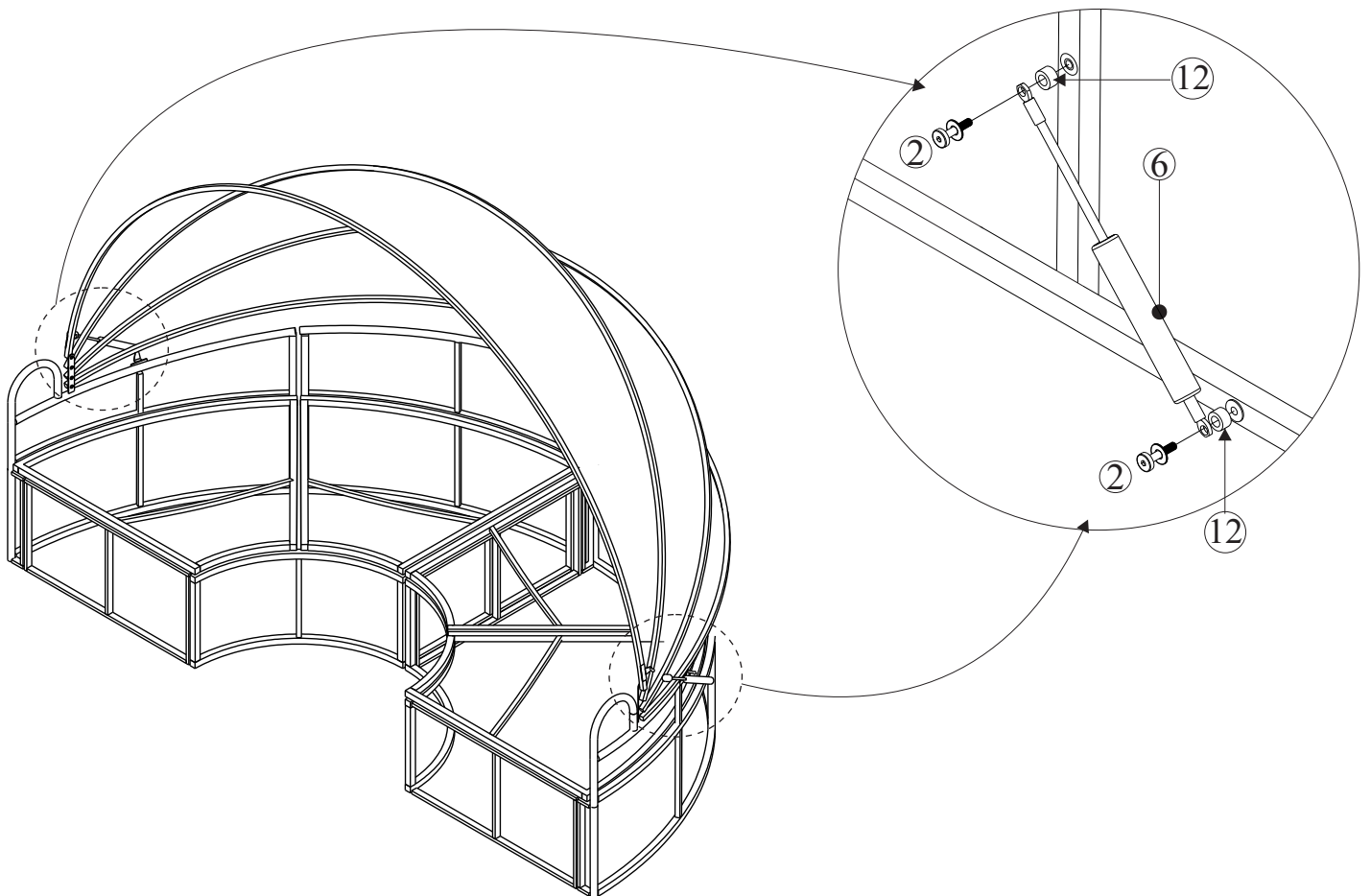
STEP 29

Connect part from STEP 28 & 25 with Bolt (3)



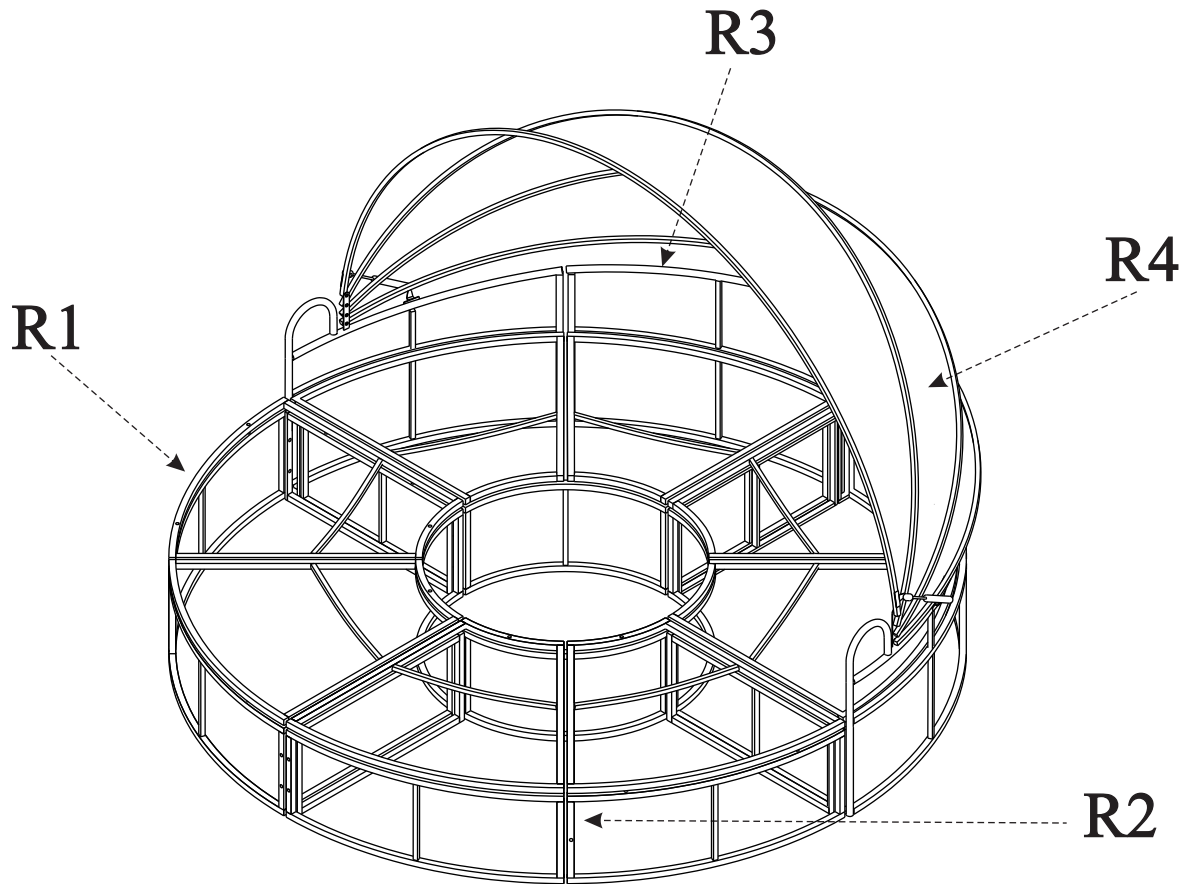
STEP 30

Connect part from STEP 29 & Gaslift (6) with Bolt (2) & Washer M8 (12)



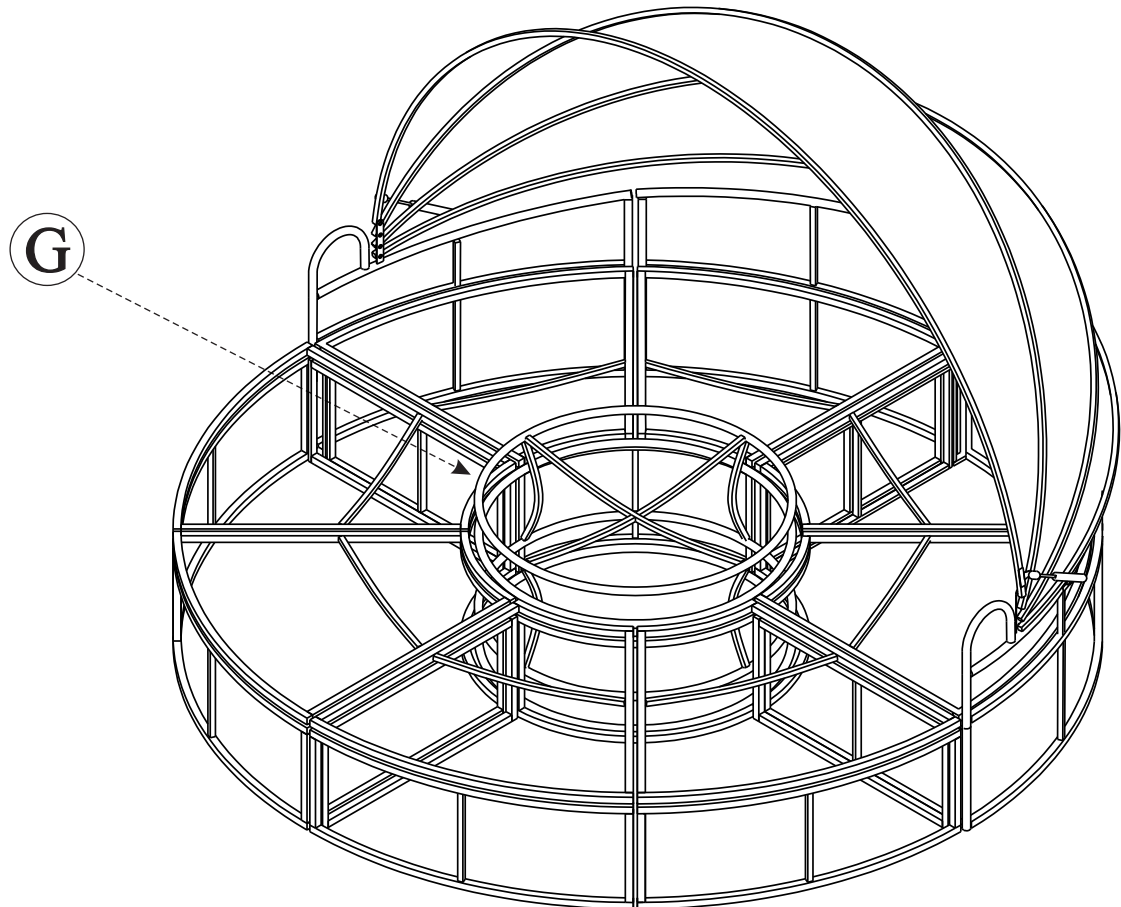
STEP 31

Arrange complete as below image



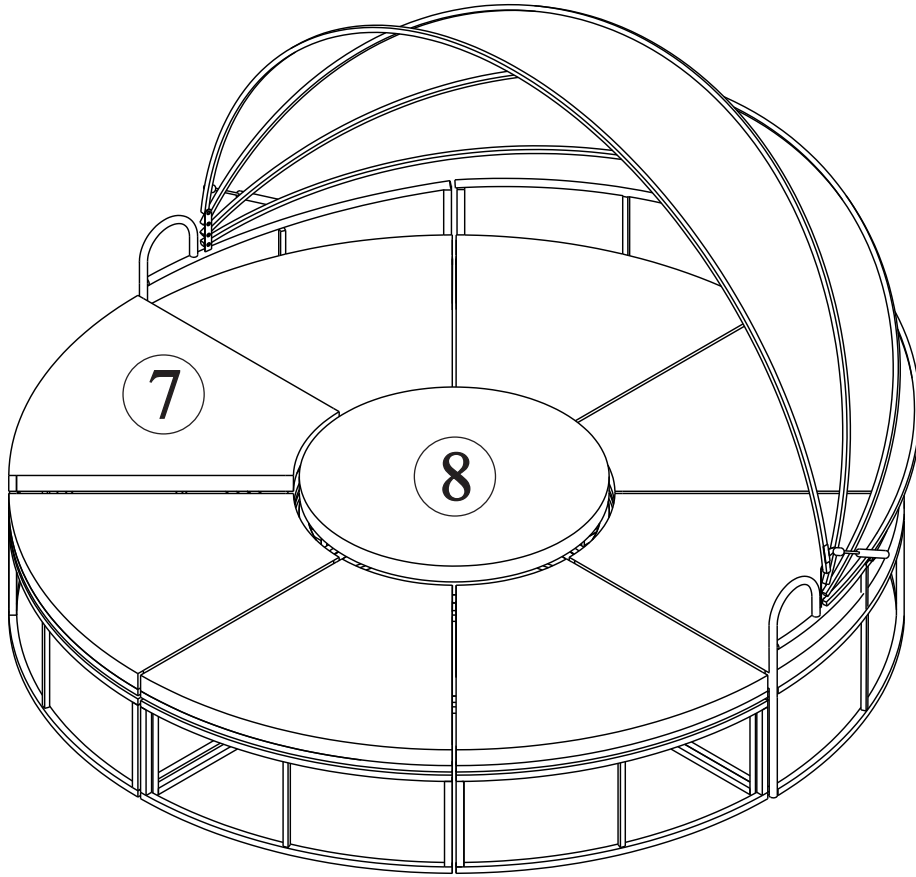
STEP 32

Put the Round Table (G) in the middle of the complete part from STEP 31



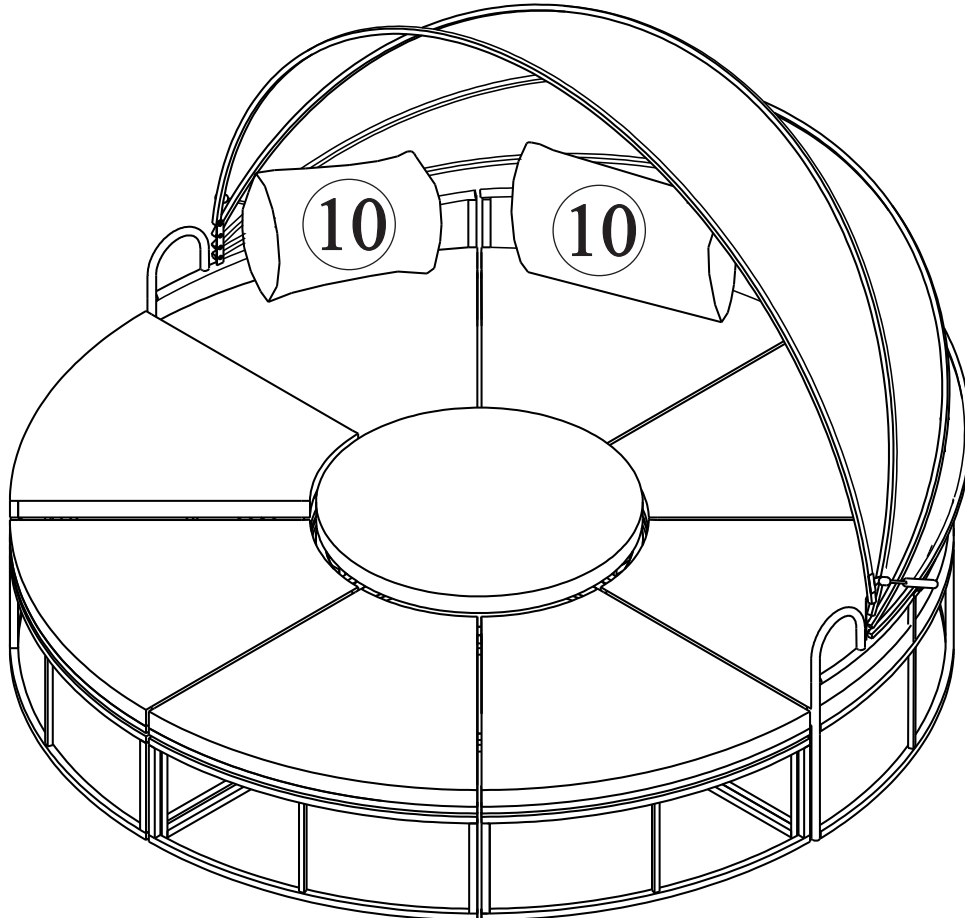
STEP 33

Put on 8x Seat Cushion (7) & Round Cushion (8)



STEP 34

Put on Back Pillow (10) to complete Sofa Bed



Finish