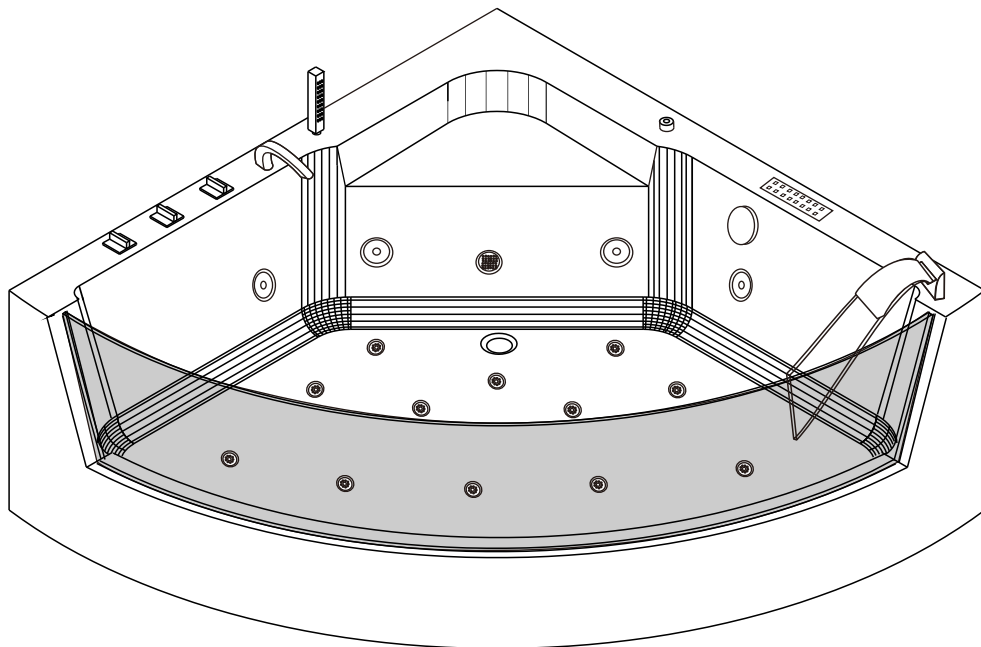


# Lyfco®

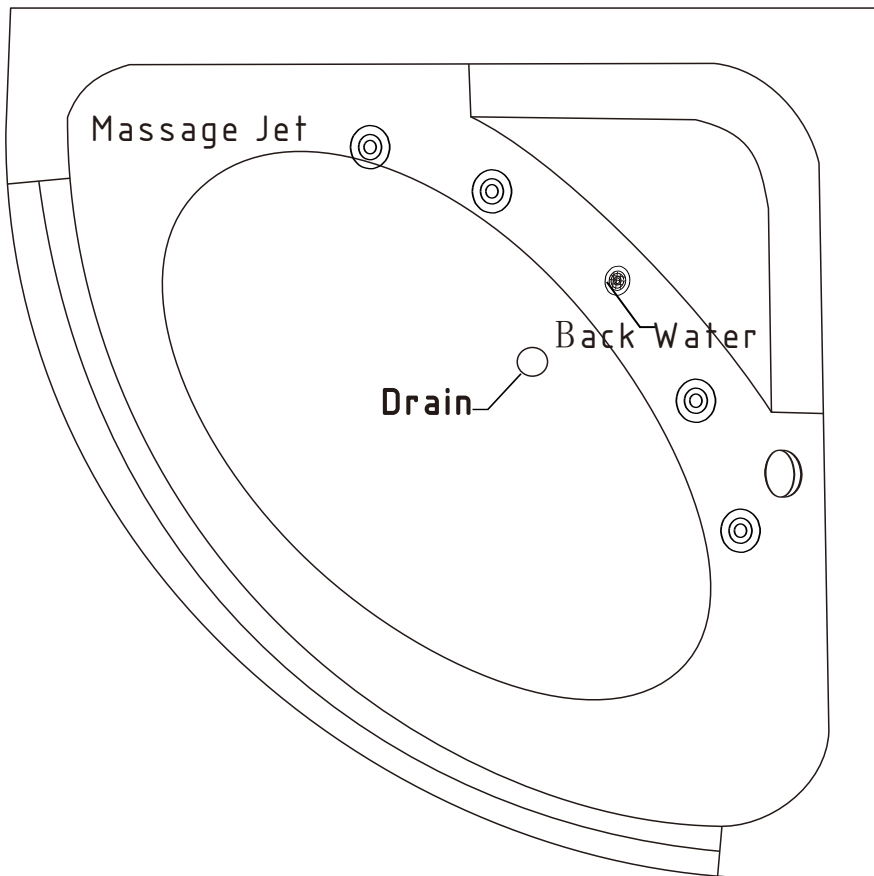
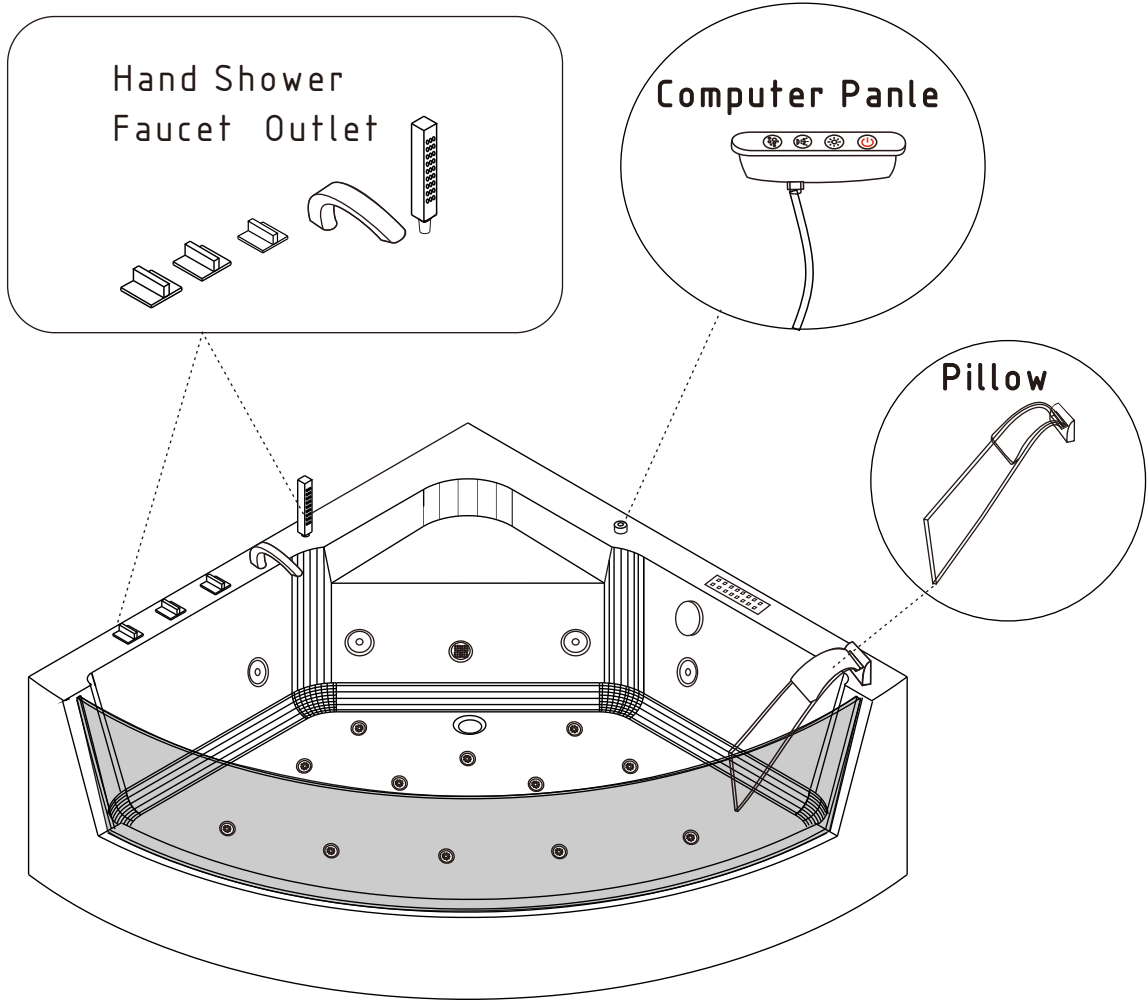
Luxury  
massage bathtub



BK-018V BK-058

1500x1500x580 mm

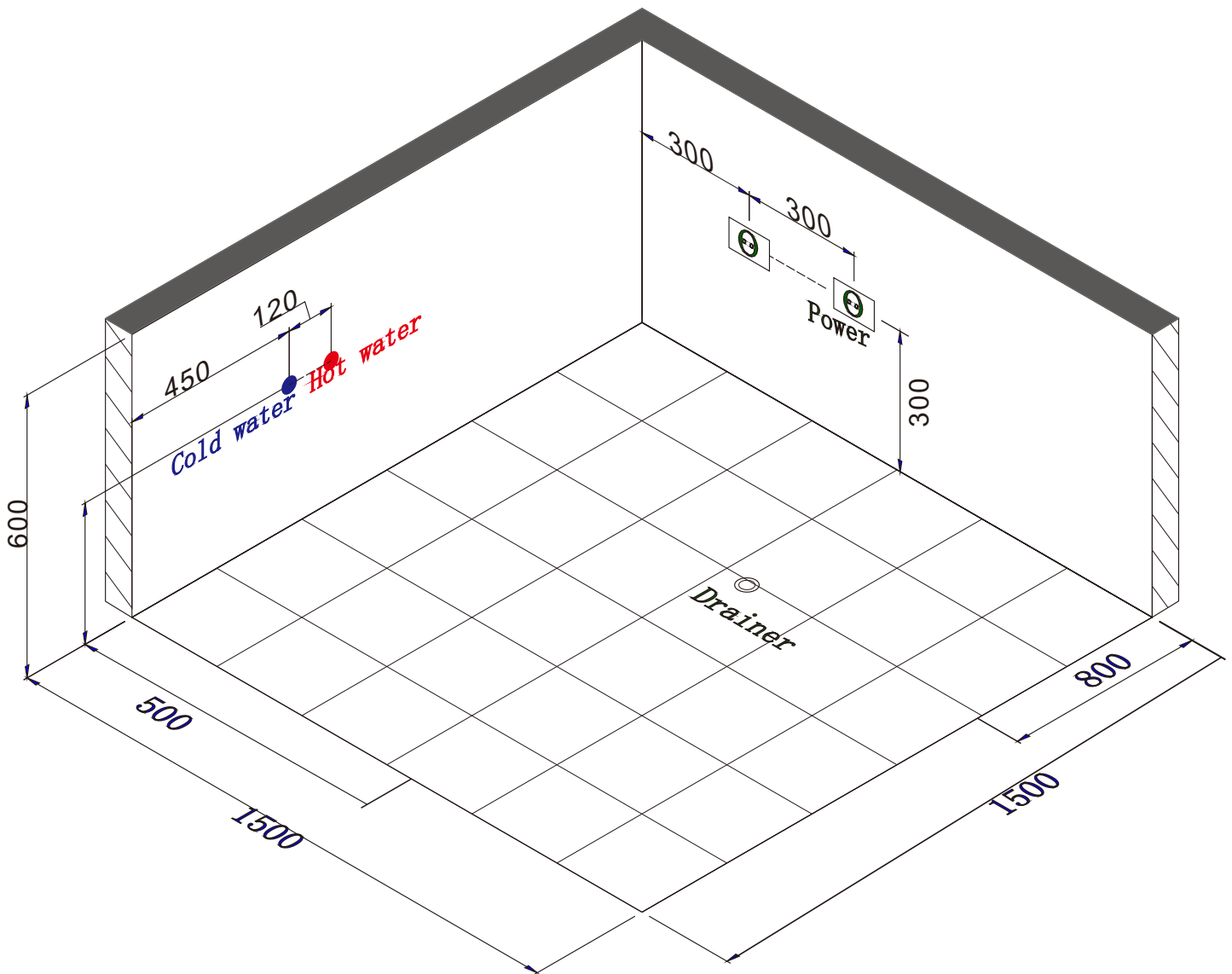
# Functional Introduction *Lyfco*<sup>®</sup>



# Water & Electricity Position Design



Length unit: mm

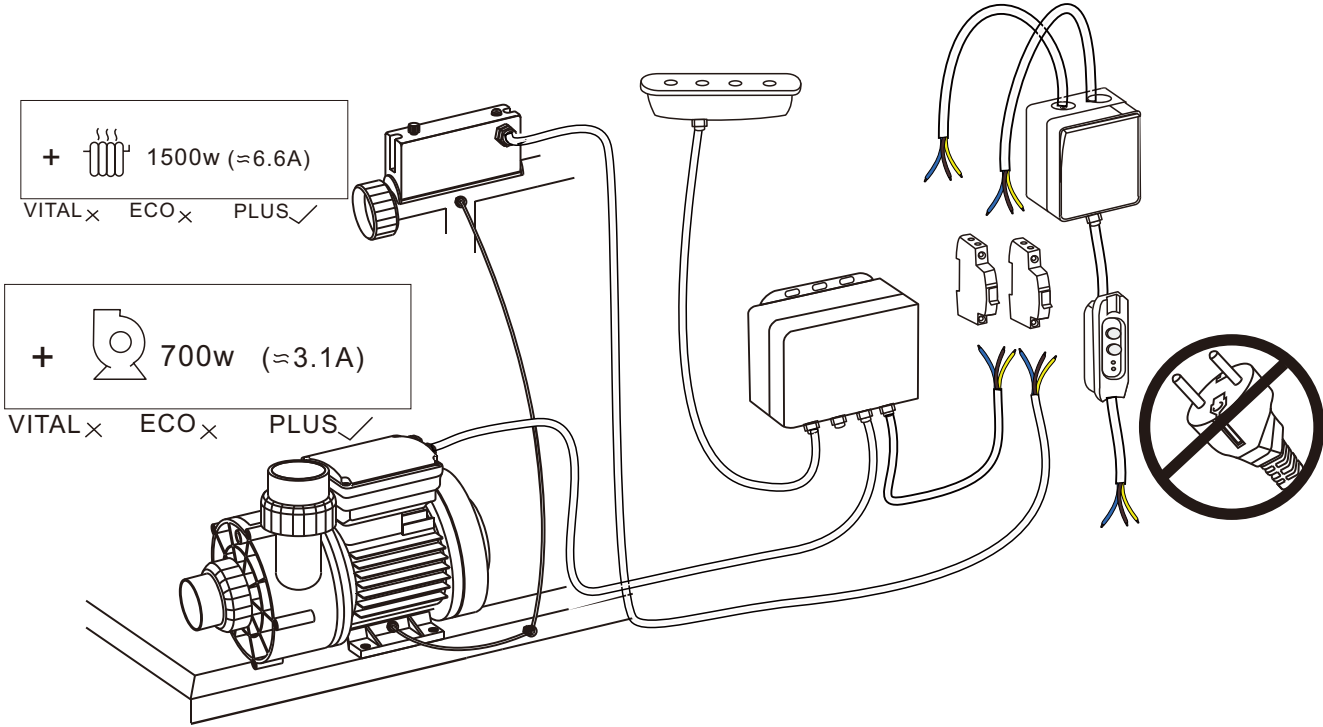


# Power Request



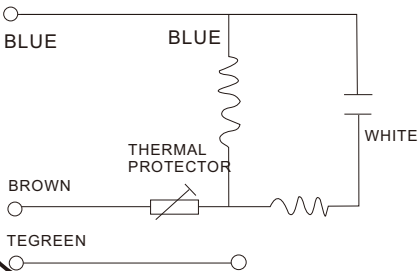
## DXD HEATER

MODEL	SDP-1500 A		
VOLTAGE	220-240VAC	50/60Hz	
POWER	1.5KW	HP	2



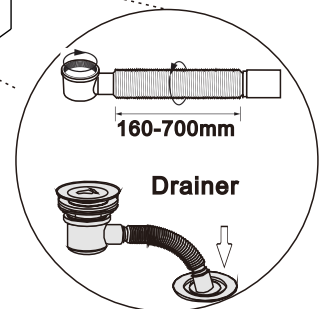
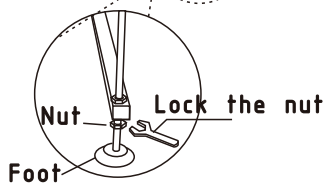
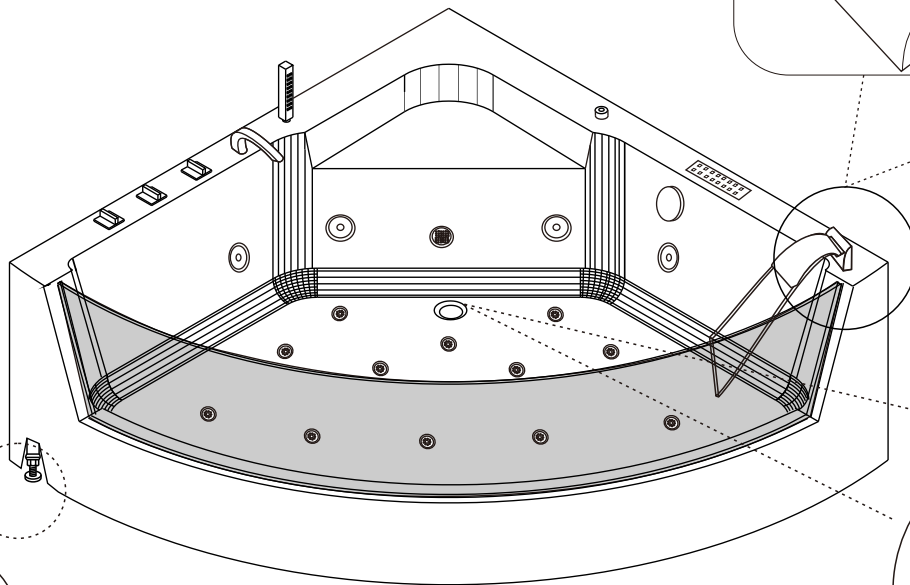
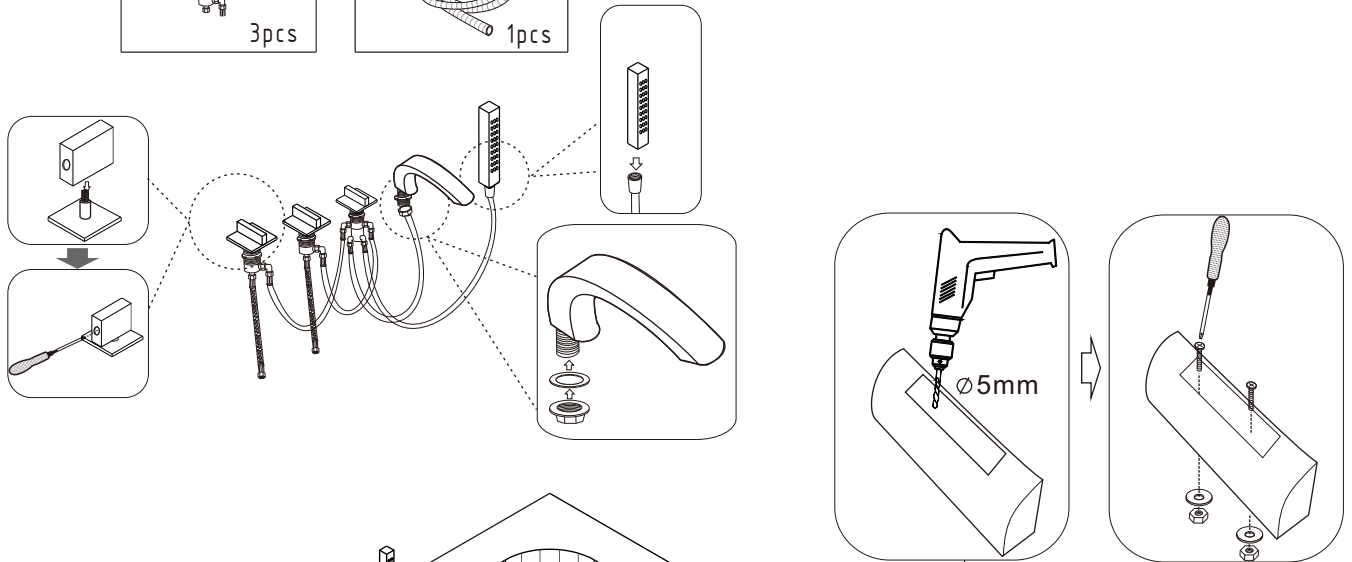
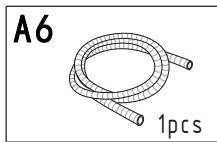
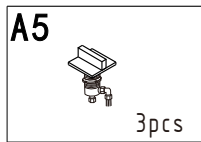
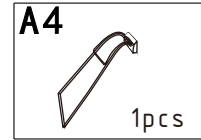
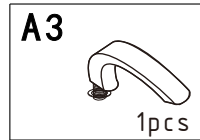
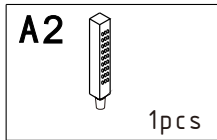
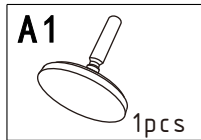
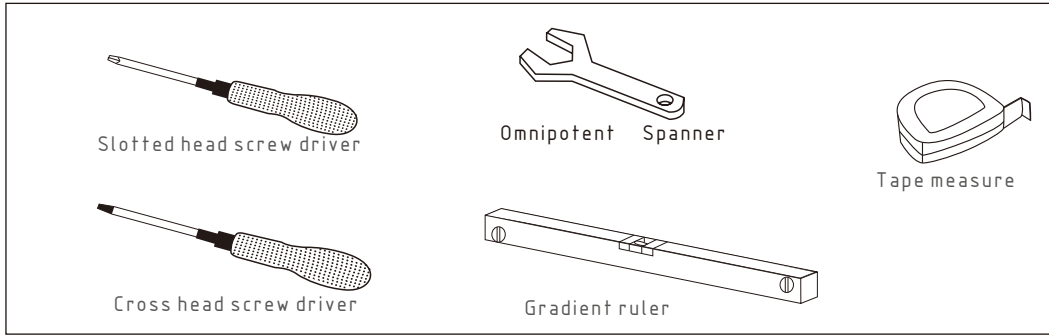
## DXD PUMP

MODEL DXD-310 A AC 220-240V 50Hz 700W CLASS B IPX5  
MAX WATER TEMPERATURE 50C 15u F/450V Hmin 1m

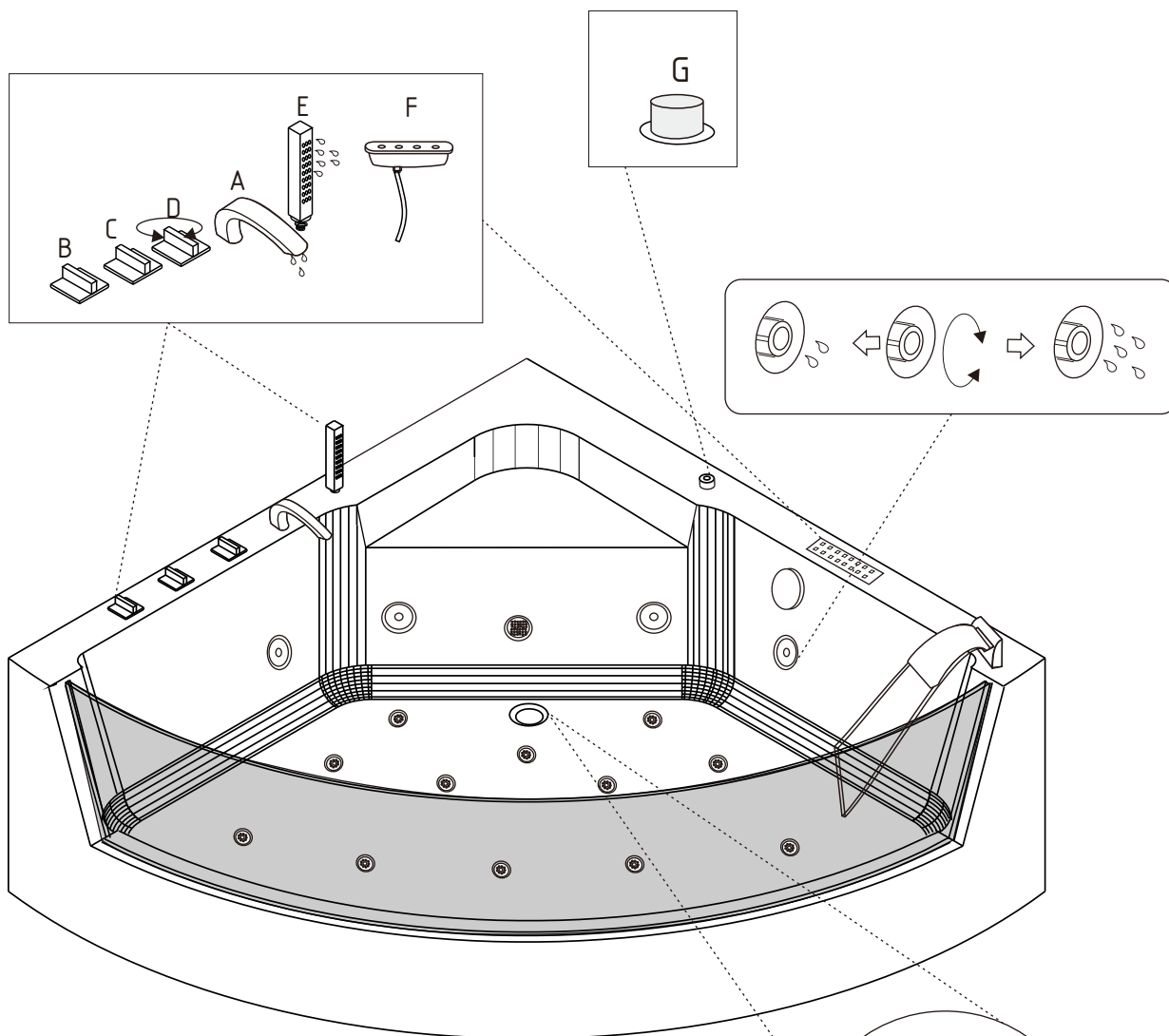


Ground properly!  
Do Not Start Pump  
Without Water!

# Accessories Installation



# Functional Instructions



Turn on , the computer panel start to work

Turn on , the lights on.

Turn on , the water pump, heater startt o work.

This is , air bubble button, This button has no function

Turn round G, the water runs faster.

Turn round B, cool water.

Turn round C, hot water.

Turn round D, water comes from A or E.

Warning: do not open F without water!!

