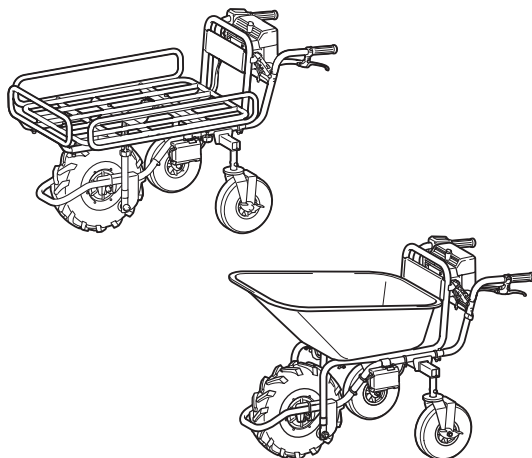




EN	Battery Powered Wheelbarrow	INSTRUCTION MANUAL	13
SV	Batteridrivnen skottkärra	BRUKSANVISNING	23
NO	Batteridrevet trillebår	BRUKSANVISNING	33
FI	Akkukäyttöinen työntökärry	KÄYTTÖOHJE	43
DA	Batteridrevet trillebør	BRUGSANVISNING	53
LV	Ar akumulatoru darbināma ķerra	LIETOŠANAS INSTRUKCIJA	64
LT	Akumuliatorinis karutis	NAUDOJIMO INSTRUKCIJA	75
ET	Akutoitega aiakäru	KASUTUSJUHEND	86
RU	Акумуляторная Самоходная Тачка	РУКОВОДСТВО ПО ЭКСПЛУАТАЦИИ	96

## DCU180



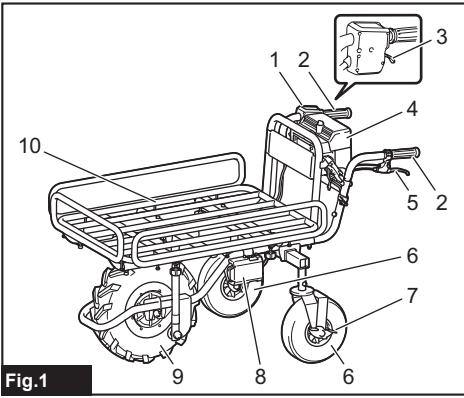


Fig.1

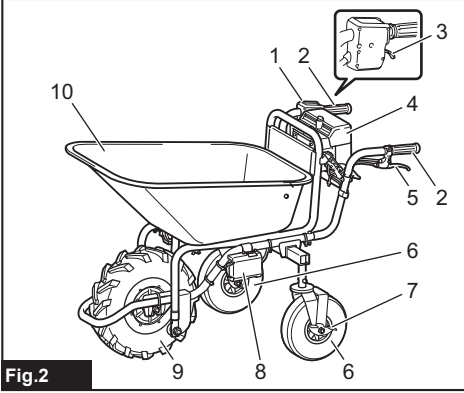


Fig.2

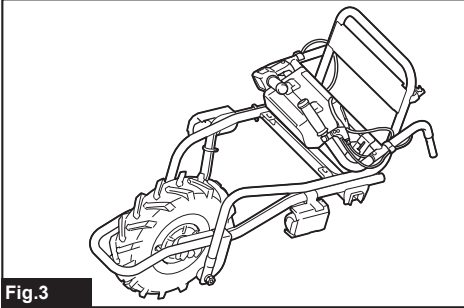


Fig.3

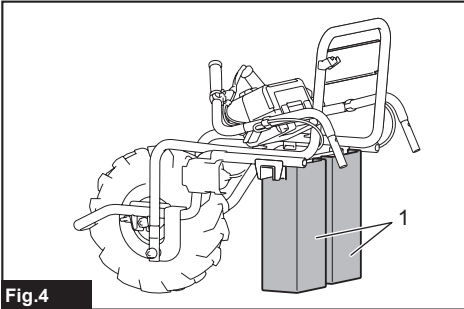


Fig.4

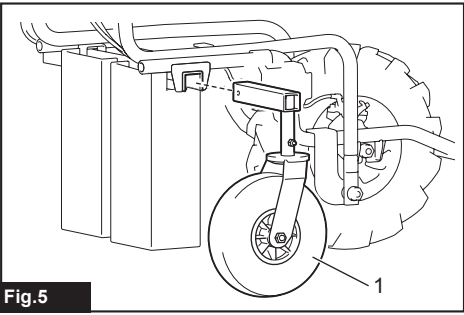


Fig.5

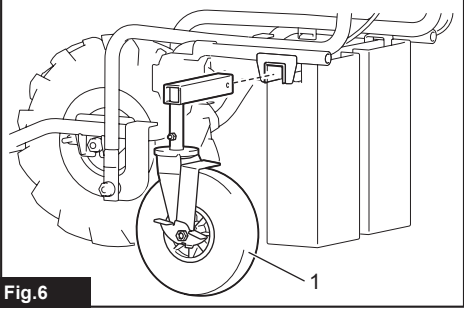


Fig.6

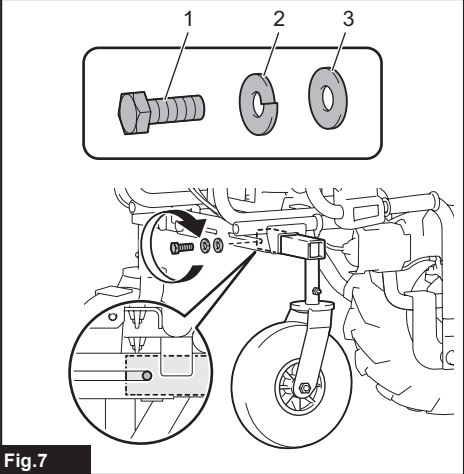


Fig.7

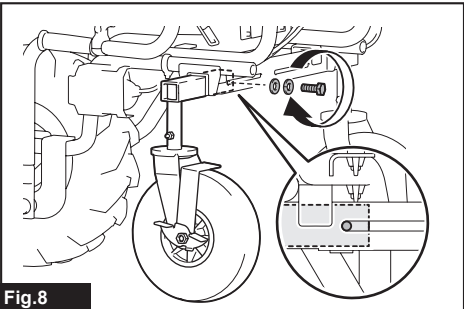


Fig.8

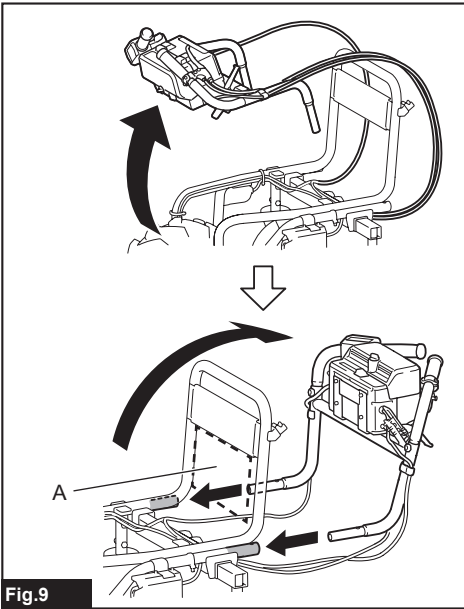


Fig.9

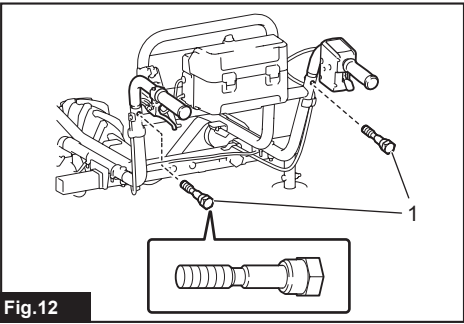


Fig.12

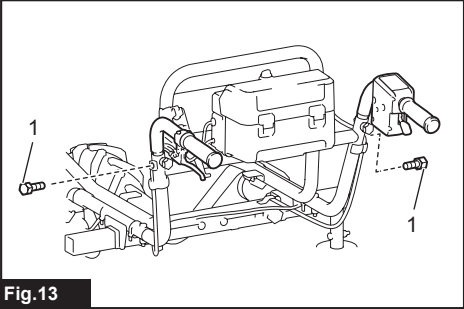


Fig.13

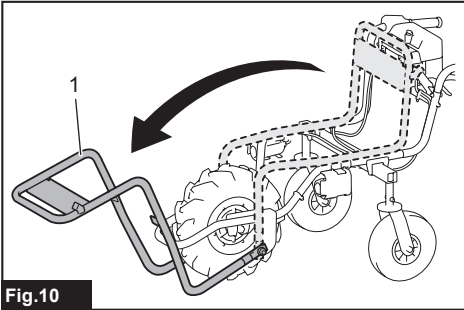


Fig.10

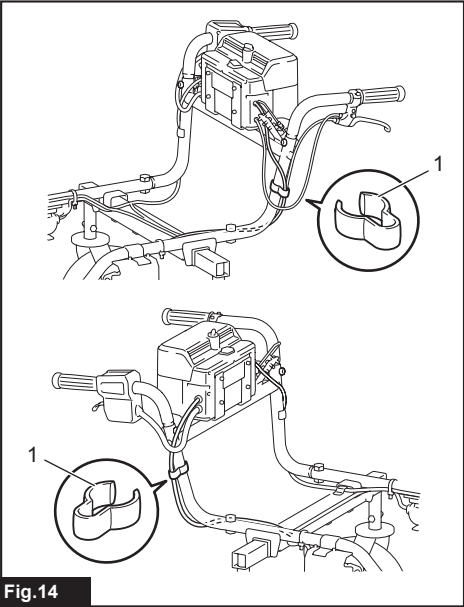


Fig.14

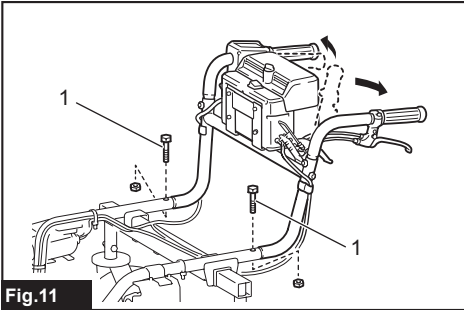


Fig.11

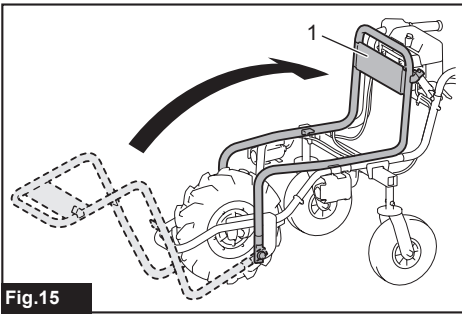


Fig.15

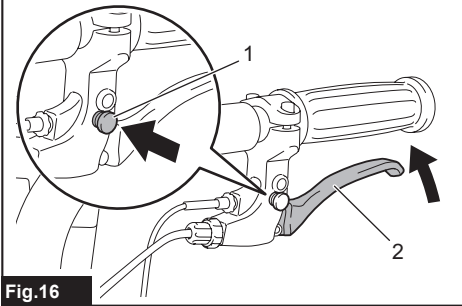


Fig.16

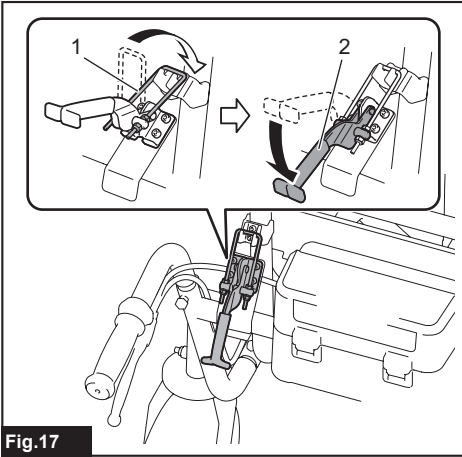


Fig.17

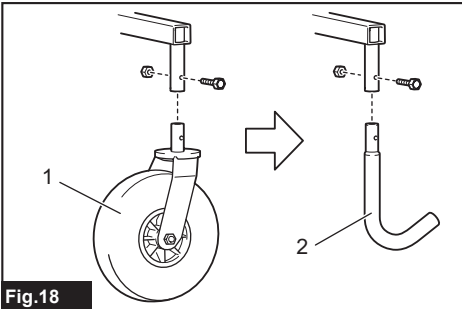


Fig.18

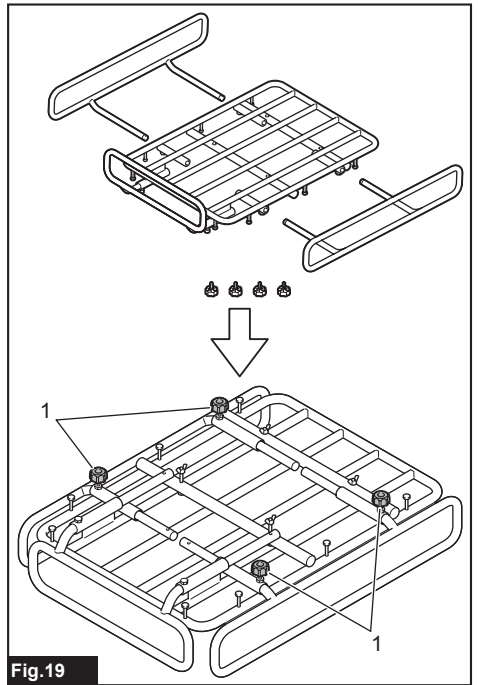


Fig.19

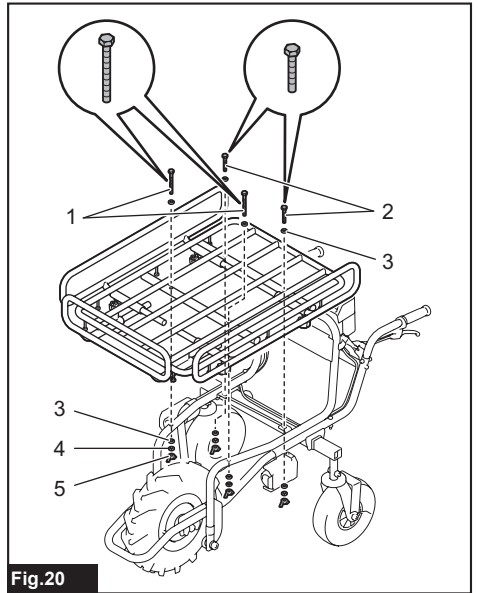


Fig.20

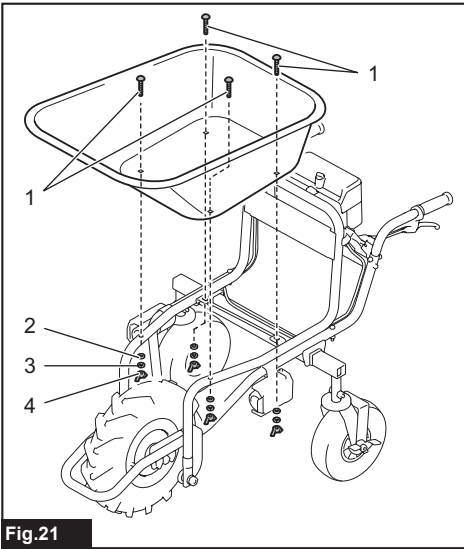


Fig.21

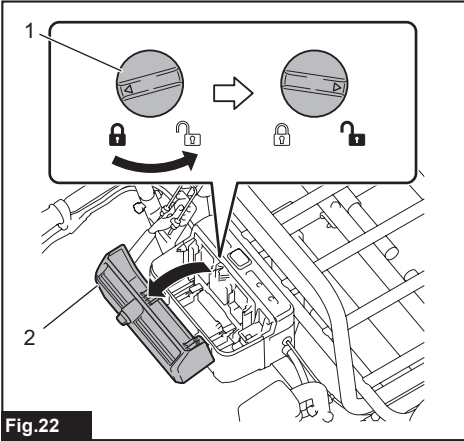


Fig.22

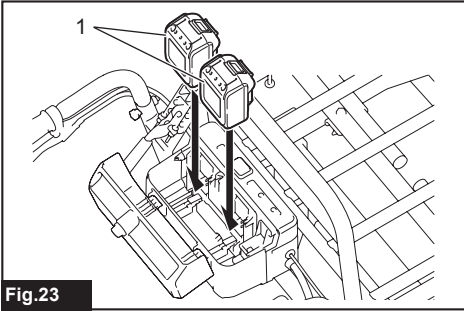


Fig.23

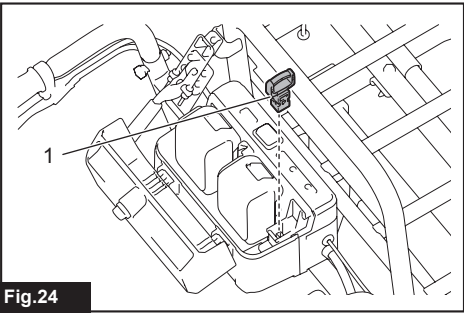


Fig.24

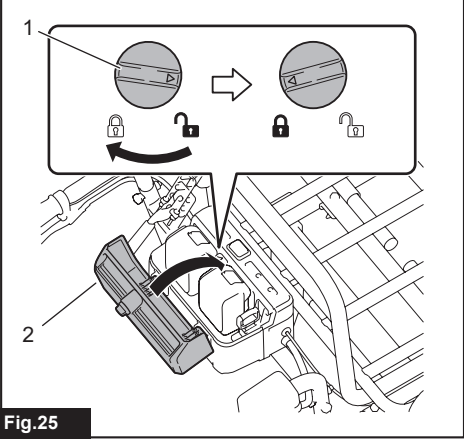


Fig.25

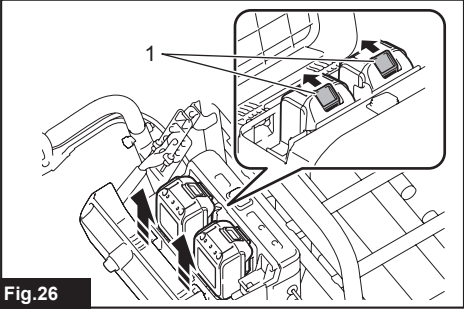


Fig.26

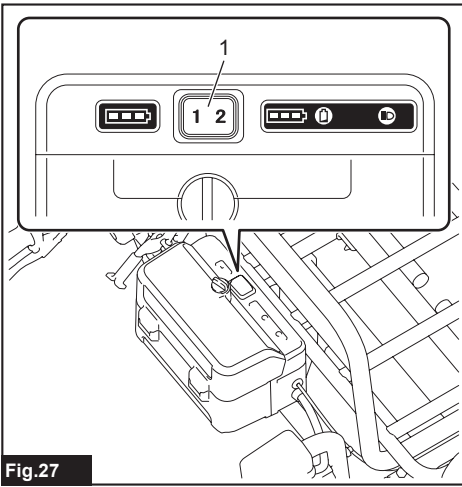


Fig. 27

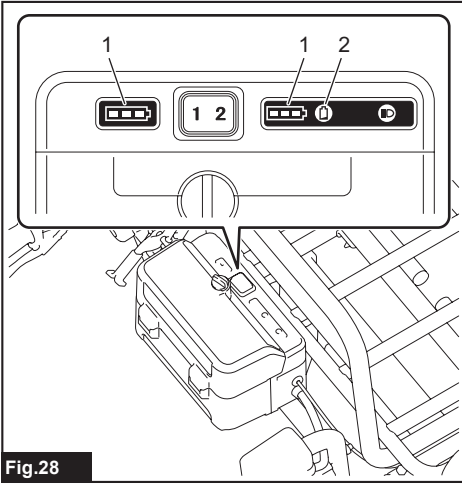


Fig. 28

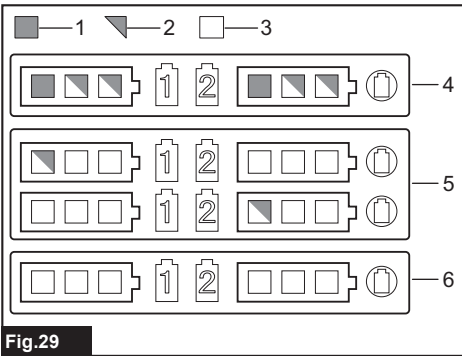


Fig. 29

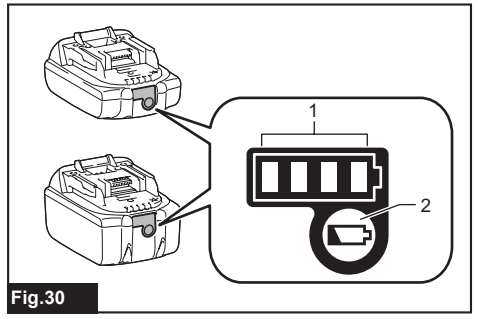


Fig. 30

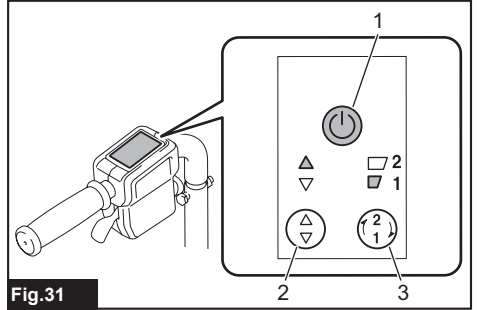


Fig. 31

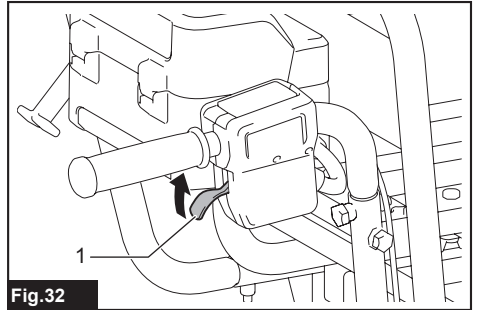


Fig. 32

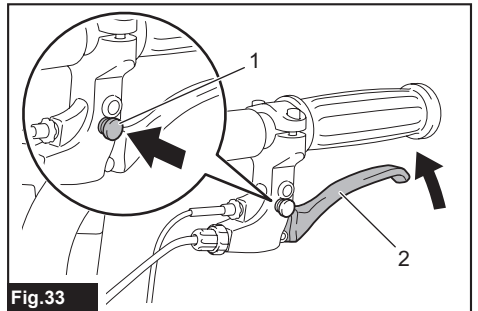


Fig. 33

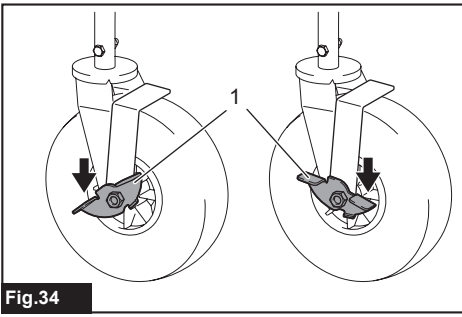


Fig. 34

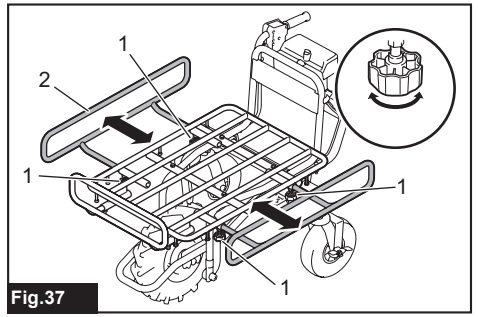


Fig. 37

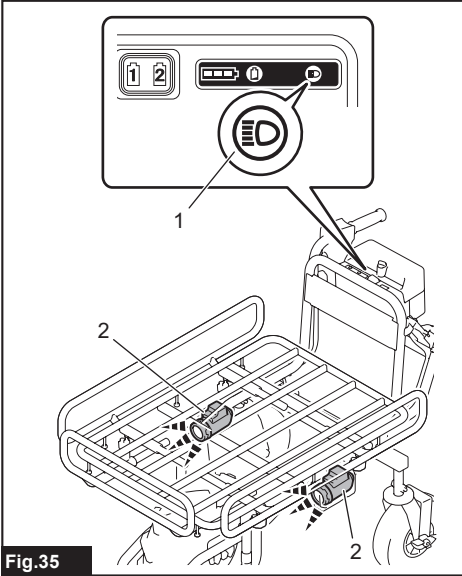


Fig. 35

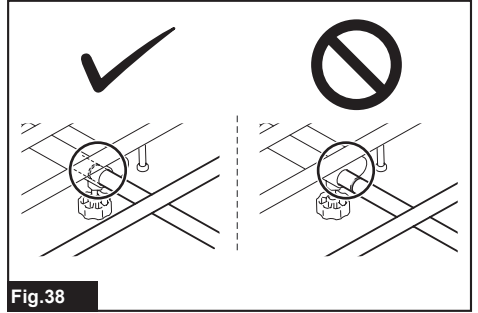


Fig. 38

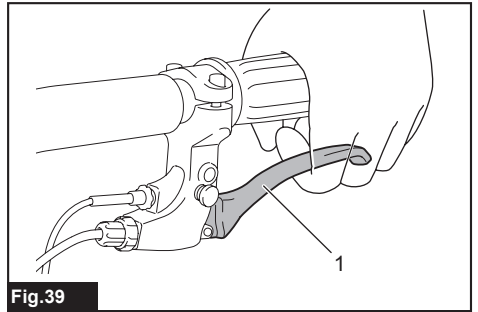


Fig. 39

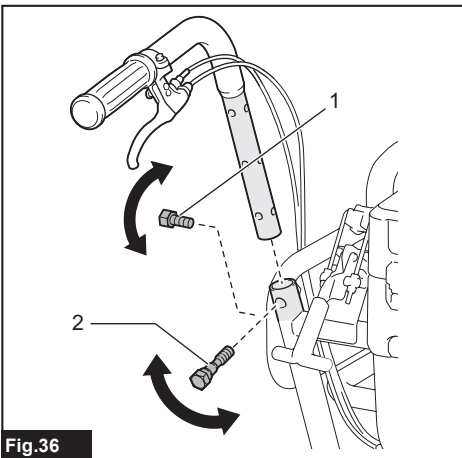


Fig. 36

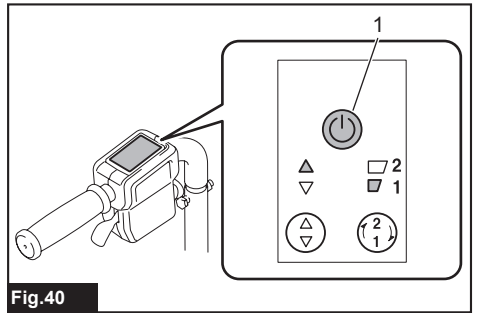
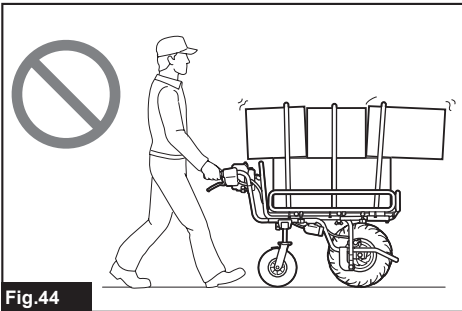
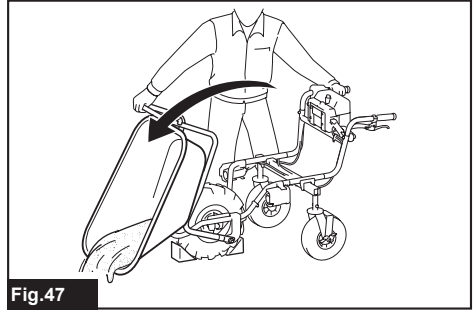
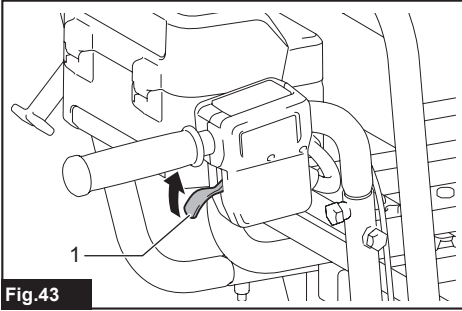
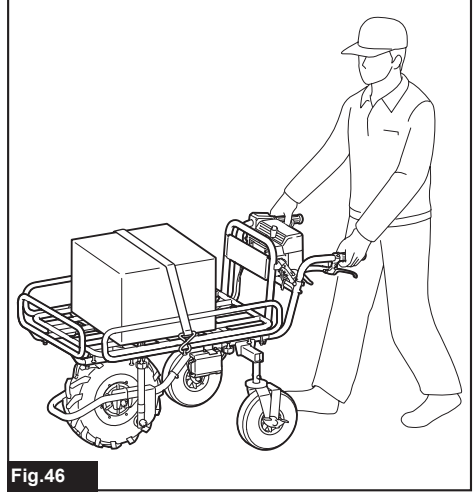
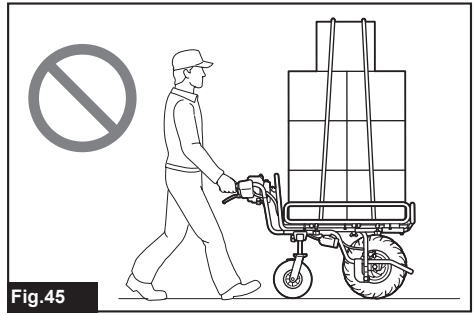
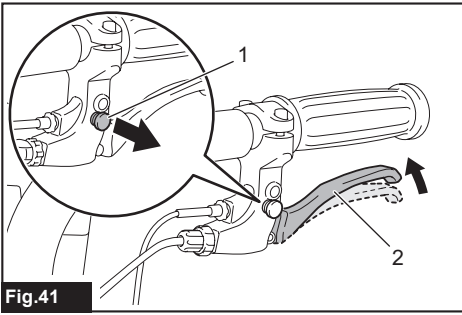


Fig. 40





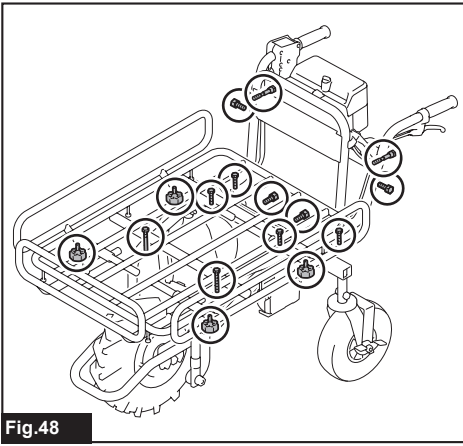


Fig.48

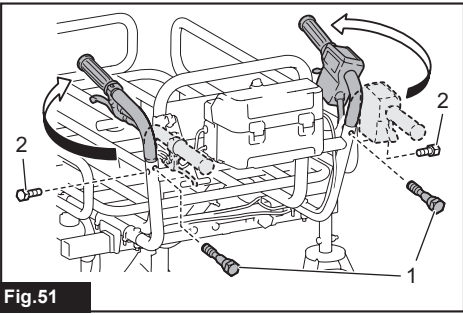


Fig.51

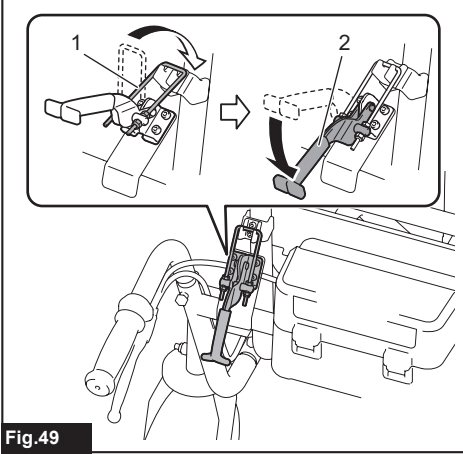


Fig.49

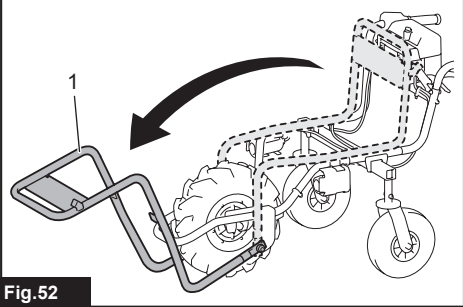


Fig.52

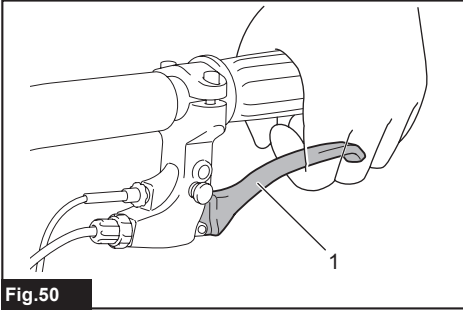


Fig.50

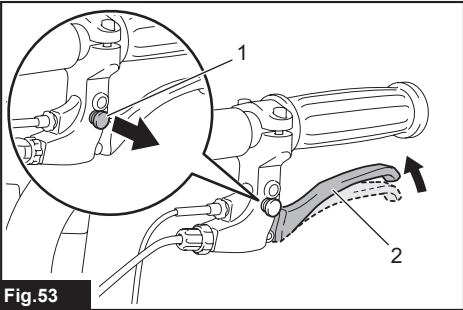


Fig.53

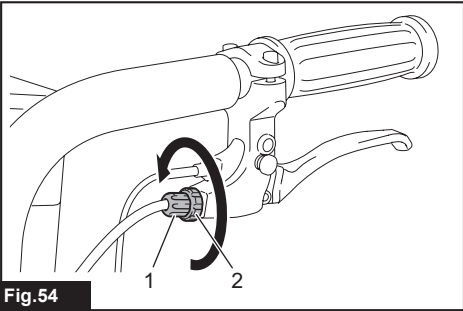
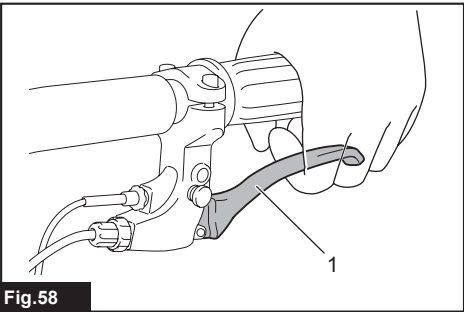
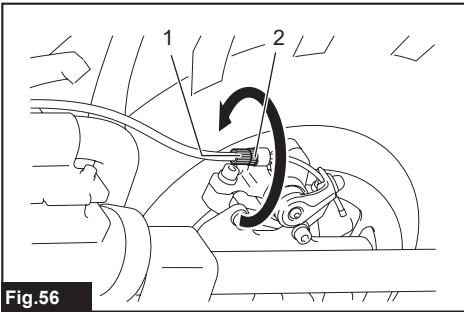
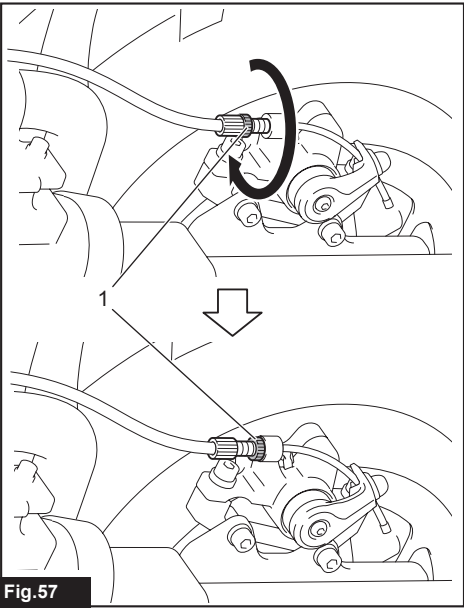
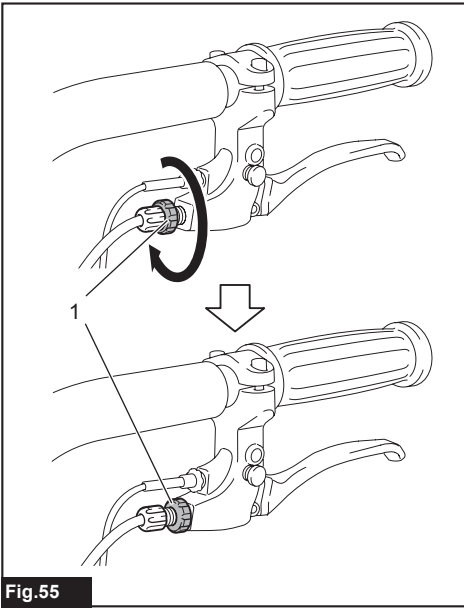


Fig.54



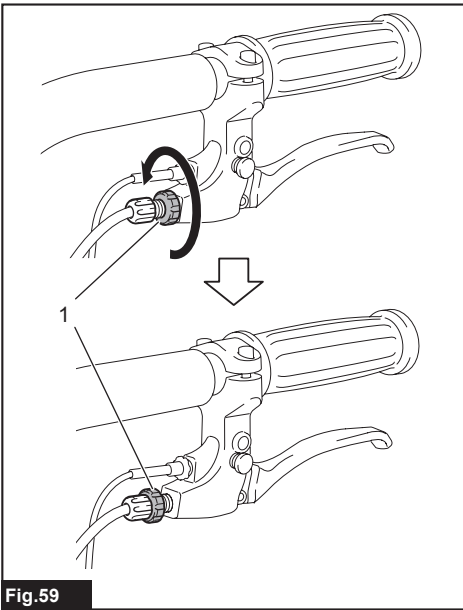


Fig.59

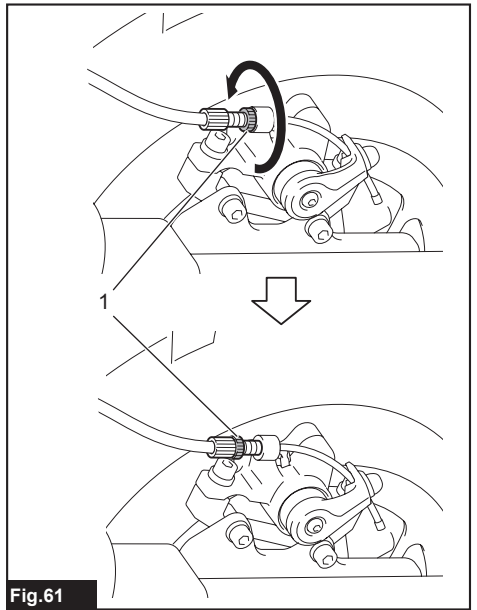


Fig.61

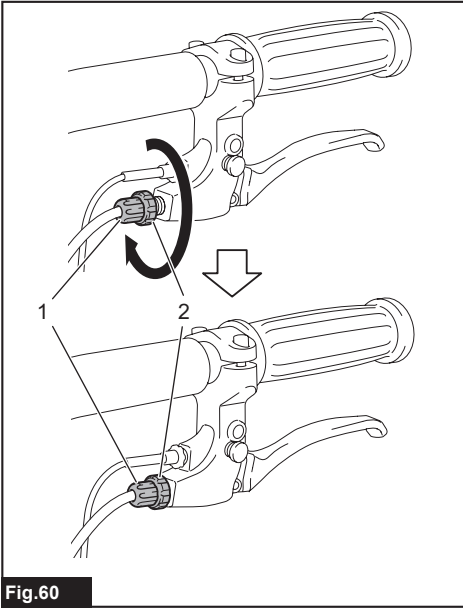


Fig.60

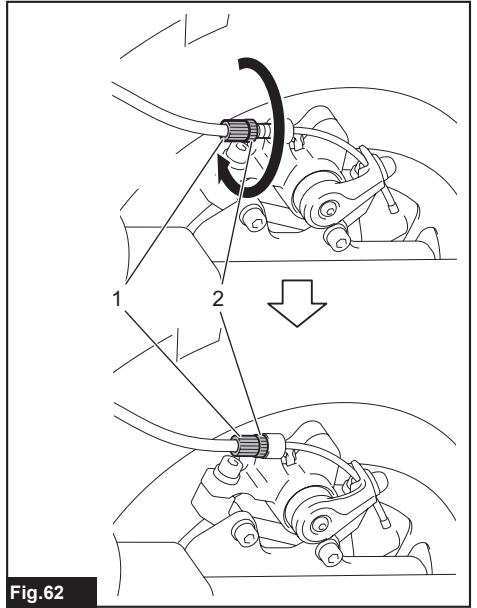
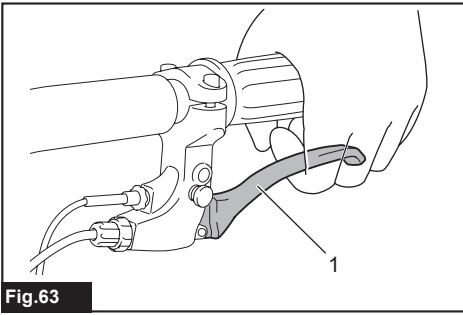
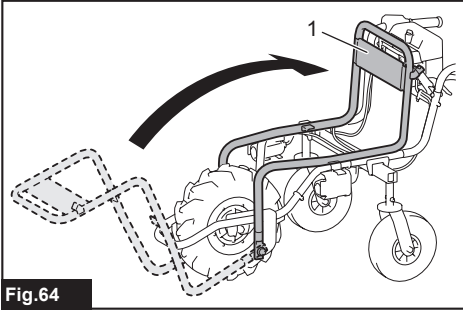


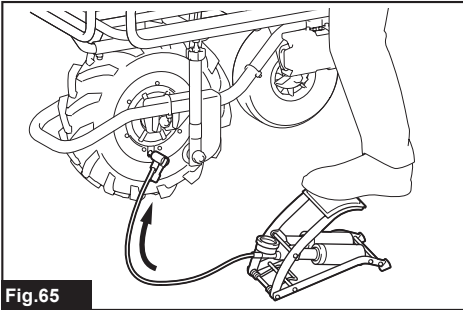
Fig.62



**Fig.63**



**Fig.64**



**Fig.65**

# SPECIFICATIONS

Model:		DCU180
Dimensions (L x W x H)	When carrier is installed	During operation: 1,315 mm x 1,060 mm x 900 mm When stored: 1,110 mm x 820 mm x 820 mm
	When bucket is installed	During operation: 1,310 mm x 820 mm x 900 mm When stored: 1,110 mm x 820 mm x 820 mm
Traveling speed	Forward	1.5 or 3.5 km/h
	Reverse	1.0 km/h
Minimum turning radius		1,075 mm (Outer diameter when turning with front wheel as axis)
Maximum climbing capacity		12°
Maximum load capacity		130 kg
Brake	Front wheel	Disc brake with wire
	Rear wheel	Fixed with pedal
Tire	Front wheel	Tubeless tire
	Rear wheel	Self-sealing tire
Rated voltage		D.C. 18 V
Net weight	When carrier is installed	43.7 - 44.0 kg
	When bucket is installed	40.7 - 41.0 kg

- Due to our continuing program of research and development, the specifications herein are subject to change without notice.
- Specifications and battery cartridge may differ from country to country.
- The weight may differ depending on the attachment(s), including the battery cartridge. The lightest and heaviest combinations, according to EPTA-Procedure 01/2014, are shown in the table.

## Applicable battery cartridge and charger

Battery cartridge	BL1815N / BL1820B / BL1830B / BL1840B / BL1850B / BL1860B
Charger	DC18RC / DC18RD / DC18RE / DC18SD / DC18SE / DC18SF / DC18SH

- Some of the battery cartridges and chargers listed above may not be available depending on your region of residence.

**⚠ WARNING: Only use the battery cartridges and chargers listed above.** Use of any other battery cartridges and chargers may cause injury and/or fire.

**⚠ WARNING: Do not use a corded power supply such as battery adapter or portable power pack with this machine.** The cable of such power supply may hinder the operation and result in personal injury.

## Symbols












The followings show the symbols which may be used for the equipment. Be sure that you understand their meaning before use.



Read instruction manual.



Only for EU countries  
Due to the presence of hazardous components in the equipment, waste electrical and electronic equipment, accumulators and batteries may have a negative impact on the environment and human health. Do not dispose of electrical and electronic appliances or batteries with household waste!  
In accordance with the European Directive on waste electrical and electronic equipment and on accumulators and batteries and waste accumulators and batteries, as well as their adaptation to national law, waste electrical equipment, batteries and accumulators should be stored separately and delivered to a separate collection point for municipal waste, operating in accordance with the regulations on environmental protection. This is indicated by the symbol of the crossed-out wheeled bin placed on the equipment.

	Fully pull down the lever and check that the carrier or bucket is locked.
	Do not change the direction on steep slopes.
	Load and unload objects on flat ground.
	Load objects on the carrier or bucket evenly.
	This machine cannot be used on the public road.
	Do not use for transporting persons.
	Do not expose to rain.
	To cancel the beep sound, release the switch trigger and pull the brake lever.
	Do not stare into beam.
	Guaranteed sound power level according to EU Outdoor Noise Directive.
	Sound power level according to Australia NSW Noise Control Regulation

## Intended use

The machine is intended for loading and carrying objects with battery powered assistance.

## Noise

The typical A-weighted noise level determined according to EN62841-1:

Sound pressure level ( $L_{pA}$ ) : 70 dB(A) or less  
Uncertainty (K) : 3 dB(A)

The noise level under working may exceed 80 dB (A).

**NOTE:** The declared noise emission value(s) has been measured in accordance with a standard test method and may be used for comparing one tool with another.

**NOTE:** The declared noise emission value(s) may also be used in a preliminary assessment of exposure.

**⚠ WARNING: Wear ear protection.**

**⚠ WARNING:** The noise emission during actual use of the power tool can differ from the declared value(s) depending on the ways in which the tool is used especially what kind of workpiece is processed.

**⚠ WARNING:** Be sure to identify safety measures to protect the operator that are based on an estimation of exposure in the actual conditions of use (taking account of all parts of the operating cycle such as the times when the tool is switched off and when it is running idle in addition to the trigger time).

## Vibration

The vibration total value (tri-axial vector sum) determined according to EN62841-1:

Work mode: operation without load

Vibration emission ( $a_h$ ) : 2.5 m/s<sup>2</sup> or less

Uncertainty (K) : 1.5 m/s<sup>2</sup>

**NOTE:** The declared vibration total value(s) has been measured in accordance with a standard test method and may be used for comparing one tool with another.

**NOTE:** The declared vibration total value(s) may also be used in a preliminary assessment of exposure.

**⚠ WARNING:** The vibration emission during actual use of the power tool can differ from the declared value(s) depending on the ways in which the tool is used especially what kind of workpiece is processed.

**⚠ WARNING:** Be sure to identify safety measures to protect the operator that are based on an estimation of exposure in the actual conditions of use (taking account of all parts of the operating cycle such as the times when the tool is switched off and when it is running idle in addition to the trigger time).

## EC Declaration of Conformity

*For European countries only*

The EC declaration of conformity is included as Annex A to this instruction manual.

## SAFETY WARNINGS

### General power tool safety warnings

**⚠ WARNING:** Read all safety warnings, instructions, illustrations and specifications provided with this power tool. Failure to follow all instructions listed below may result in electric shock, fire and/or serious injury.

### Save all warnings and instructions for future reference.

The term "power tool" in the warnings refers to your mains-operated (corded) power tool or battery-operated (cordless) power tool.

### Battery powered wheelbarrow safety warnings

1. **While operating the machine, always wear non-slip and protective footwear.** Non-skid, closed-toed safety boots and shoes will reduce the risk of injury.
2. **Inspect pathway before hauling objects/materials.** Familiarizing yourself with the pathway and ensuring it is wide enough to safely navigate the machine under load will help reduce losing control of the machine.

3. **Use extreme caution on slippery, loose and unstable terrain.** Wet and slippery surfaces, such as wet grassy areas, snow or ice, and loose and unstable terrain, such as sand or gravel surfaces, may cause the machine to lose traction and may adversely affect steering, braking and stability.
  4. **Do not operate the machine on excessively steep slopes.** This reduces the risk of loss of control, slipping and falling which may result in personal injury. Slopes greater than the maximum recommended grade and side grades may increase the risk of instability and may adversely affect the ability to stop safely.
  5. **When working on slopes, always be sure of your footing, always work across the face of slopes, never up or down, and exercise extreme caution when changing direction.** This reduces the risk of loss of control, slipping and falling which may result in personal injury.
  6. **Whenever possible, use level areas for stopping, loading and unloading and never leave machine unattended on a slope.** The machine is more unstable when resting on a slope than when resting on a level surface.
  7. **When stopping on slopes, face the machine uphill or downhill and block unbraked wheels.** The machine is less stable when facing across a slope. Unbraked wheels, especially those of the castor-type, can potentially turn and roll downhill even while the front wheel parking brake is set.
  8. **When leaving the machine unattended, set parking brake once the machine is located in a safe stopping area.** The parking brake prevents unwanted movement of the front wheel and can improve stability.
  9. **Ensure that ramps are clean, strong and secure.** In order to reduce the risk of injury, all ramps must be clear of loose debris and strong enough to withstand the weight of anticipated loads that will be moved over them. They must have adequate blocking underneath and to both sides to eliminate deflections and side-to-side movement under load. All ramps must be wide enough to have sure footing while hauling loads across them.
  10. **Ensure the hopper is down and hoppers and dump-gates are securely latched when not dumping the load and when storing the machine.** Unlatched hoppers or dump-gates can unexpectedly open or shift.
  11. **Avoid extending ramps without toe boards or railings over open spaces.** Elevated open spaces and open trenches invite accidental falls and increase the potential for serious injury. Use toe boards or railings on ramps over open spaces to prevent driving the machine off the ramp.
  12. **Ensure all locking screws are tightly secure before using.** Locking screws on the rear wheels and open-type carrier front and side walls must be secure to prevent unwanted movement of these adjustable parts of the machine.
  13. **Never operate the machine in an overloaded condition.** Make sure the machine has the proper capacity rating for the objects or materials that have to be hauled. Excessive loads will make the machine more difficult to maneuver and stop, will increase stopping time and distance, and will increase the risk of instability.
  14. **Never operate your machine in an over stacked condition.** Stacking material above the tray rim or over the sides of the tray can cause the machine to be uncontrollably out of balance and control.
  15. **Use containers and tie-downs to secure loads.** Loose and/or insecure loads are more likely to shift which can result in loss of stability and control.
  16. **Always maintain a firm grip on handles.** Loss of control can increase the risk of personal injury.
  17. **Remove safety key when not in use.** The safety key prevents unwanted, powered use of the machine, such as by children or other untrained or unauthorized persons. Without the key, electric power cannot be turned "on".
  18. **This machine cannot be used on public roads.** Use of the wheelbarrow on a public road is unlawful and could result in local jurisdiction penalties in addition it could result in personal injury.
  19. **Use a sturdy plate with anti-slip and detachment prevention function when loading and/or unloading this machine for transportation, or moving this machine between different levels. Make sure the plate inclination does not exceed 12°, and operate the machine slowly and carefully. Unstable and quick operation may result in overturn and/or falling.**
  20. Do not disassemble, repair, or modify this machine.
- Operation**
1. **When operating the machine, stand behind the machine and hold the handles firmly.**
  2. Do not operate the machine while riding on the machine.
  3. Do not allow others to ride on the machine.
  4. **When operating the machine in reverse and walking backward, watch behind you and be careful not to slip or trip.**
  5. **Do not use the machine when visibility is poor because there is a risk of striking obstacles.**
  6. **When operating the machine on rough ground, decrease speed and exercise caution.**
  7. **When using the machine, avoid soft ground to prevent overturn due to the shoulder of the road collapsing.**
  8. **Do not operate the machine on upward slopes greater than 12°.**
  9. **If you find an abnormality, stop the machine on flat ground. Before inspecting the machine, pull the brake lever and lock the brake, and then turn the power off.**
  10. **Before operating the machine, make sure that the lock lever is fully pulled down and completely locked.** If the lock is incomplete, there is a risk of accident or injury as the carrier or bucket may be tilted and the objects fall when going downhill.
  11. **Be careful not to entangle the cords with the load or obstacles.**
- Operation on slopes**
1. **Do not cross on slopes.**
  2. **Be sure to decrease speed and exercise caution.**
  3. **Exercise caution when starting or stopping the machine on slopes.**
  4. **As the loads become less stable on slopes, firmly secure the loads with ropes.**
  5. **As the machine becomes unstable depending on the condition of the road, keep the load to a minimum.**

6. As the view is obscured on slopes, keep the height of the load to a minimum.
7. Never park the machine on steep slopes. Park the machine on flat ground, pull the brake lever and lock the brake, and then turn the power off.
8. Do not change the direction or speed mode on steep slopes.
9. Do not release the switch trigger on upward slopes. The machine may go in reverse and cause an accident.
10. Make sure that the remaining battery capacity is enough before operating on slopes. If the remaining battery capacity is not enough, charge the battery or replace it with a charged one.

#### Loading objects

1. Do not overload objects. When loading objects, be sure to follow the instructions and load limits in the manual.
2. Firmly secure the objects with ropes.
3. Load the objects within the carrier or bucket. If the objects protrude from the carrier or bucket, there is a risk of accidents due to the objects falling or contact obstacles such as walls.
4. Be sure that loaded objects are below eye level. If the load is too high, it is dangerous because the view is obscured. Also, there is a risk of overturning and injury because the load is likely to be unbalanced.
5. Load the objects on the carrier or bucket evenly. If the objects are loaded unevenly, there is a risk of overturning and injury because the load is likely to be unbalanced.
6. Before loading the objects or operating the machine, make sure that the lock lever is fully pulled down and completely locked.
7. Be sure to load heavy objects first to keep balance.
8. Do not extend the front and side rails on steep slopes. Extend the side rails when lightweight objects are loaded.
9. When extending the front and side rails, do not extend them over the extension limit. Be sure to extend the side rails so that the right and left sides are the same length, and load objects evenly.
10. Load and unload objects on flat ground.
11. When lifting and tilting the carrier or bucket, hold the handles and frame firmly, and work in a stable posture.

#### Maintenance

1. Always be sure to park the machine on flat ground and lock the brake lever before storage or attempting to perform inspections or maintenance.

## SAVE THESE INSTRUCTIONS.

**⚠ WARNING:** DO NOT let comfort or familiarity with product (gained from repeated use) replace strict adherence to safety rules for the subject product. MISUSE or failure to follow the safety rules stated in this instruction manual may cause serious personal injury.

## Important safety instructions for battery cartridge

1. Before using battery cartridge, read all instructions and cautionary markings on (1) battery charger, (2) battery, and (3) product using battery.
2. Do not disassemble or tamper with the battery cartridge. It may result in a fire, excessive heat, or explosion.
3. If operating time has become excessively shorter, stop operating immediately. It may result in a risk of overheating, possible burns and even an explosion.
4. If electrolyte gets into your eyes, rinse them out with clear water and seek medical attention right away. It may result in loss of your eyesight.
5. Do not short the battery cartridge:
  - (1) Do not touch the terminals with any conductive material.
  - (2) Avoid storing battery cartridge in a container with other metal objects such as nails, coins, etc.
  - (3) Do not expose battery cartridge to water or rain.

A battery short can cause a large current flow, overheating, possible burns and even a breakdown.
6. Do not store and use the tool and battery cartridge in locations where the temperature may reach or exceed 50 °C (122 °F).
7. Do not incinerate the battery cartridge even if it is severely damaged or is completely worn out. The battery cartridge can explode in a fire.
8. Do not nail, cut, crush, throw, drop the battery cartridge, or hit against a hard object to the battery cartridge. Such conduct may result in a fire, excessive heat, or explosion.
9. Do not use a damaged battery.
10. The contained lithium-ion batteries are subject to the Dangerous Goods Legislation requirements.
 

For commercial transports e.g. by third parties, forwarding agents, special requirement on packaging and labeling must be observed.

For preparation of the item being shipped, consulting an expert for hazardous material is required. Please also observe possibly more detailed national regulations.

Tape or mask off open contacts and pack up the battery in such a manner that it cannot move around in the packaging.
11. When disposing the battery cartridge, remove it from the tool and dispose of it in a safe place. Follow your local regulations relating to disposal of battery.
12. Use the batteries only with the products specified by Makita. Installing the batteries to non-compliant products may result in a fire, excessive heat, explosion, or leak of electrolyte.
13. If the tool is not used for a long period of time, the battery must be removed from the tool.



14. During and after use, the battery cartridge may take on heat which can cause burns or low temperature burns. Pay attention to the handling of hot battery cartridges.
15. Do not touch the terminal of the tool immediately after use as it may get hot enough to cause burns.
16. Do not allow chips, dust, or soil stuck into the terminals, holes, and grooves of the battery cartridge. It may result in poor performance or breakdown of the tool or battery cartridge.
17. Unless the tool supports the use near high-voltage electrical power lines, do not use the battery cartridge near high-voltage electrical power lines. It may result in a malfunction or breakdown of the tool or battery cartridge.
18. Keep the battery away from children.

## SAVE THESE INSTRUCTIONS.

**CAUTION:** Only use genuine Makita batteries. Use of non-genuine Makita batteries, or batteries that have been altered, may result in the battery bursting causing fires, personal injury and damage. It will also void the Makita warranty for the Makita tool and charger.

## Tips for maintaining maximum battery life

1. Charge the battery cartridge before completely discharged. Always stop tool operation and charge the battery cartridge when you notice less tool power.
2. Never recharge a fully charged battery cartridge. Overcharging shortens the battery service life.
3. Charge the battery cartridge with room temperature at 10 °C - 40 °C (50 °F - 104 °F). Let a hot battery cartridge cool down before charging it.
4. When not using the battery cartridge, remove it from the tool or the charger.
5. Charge the battery cartridge if you do not use it for a long period (more than six months).

## PARTS DESCRIPTION

### Parts description (when the carrier is installed)

► Fig.1

1	Control panel	2	Handle
3	Switch trigger	4	Battery box
5	Brake lever for front wheel	6	Rear wheel
7	Brake pedal for rear wheel	8	Lamp
9	Front wheel	10	Carrier

### Parts description (when the bucket is installed)

► Fig.2

1	Control panel	2	Handle
3	Switch trigger	4	Battery box
5	Brake lever for front wheel	6	Rear wheel
7	Brake pedal for rear wheel	8	Lamp
9	Front wheel	10	Bucket

## ASSEMBLY

**CAUTION:** Always be sure that the machine is switched off and the battery cartridge is removed before carrying out any work on the machine.

### Assembling main unit

1. Take out the base unit and handles from the box.

► Fig.3

**NOTICE:** Be sure to take out the base unit and handles together, so that excessive force is not applied to the cords.

2. Place the packing material under the rear side of the base unit.

► Fig.4: 1. Packing material

3. Insert the rear wheels into the frame.

► Fig.5: 1. Rear wheel

► Fig.6: 1. Rear wheel

**NOTE:** The support legs can be attached instead of the rear wheels.

4. Attach the spring washer and the washer to the short hexagonal bolt, and then tighten them using the wrench included in the package.

► Fig.7: 1. Short hexagonal bolt  
2. Spring washer  
3. Washer

► Fig.8

**NOTICE:** Be sure to use the short hexagonal bolts to tighten the rear wheels.

**NOTICE:** Fix the rear wheels at the same position on both sides.

5. Raise the handles, and then insert them into the base unit.

► Fig.9

**NOTICE:** Do not allow the cords inside area "A" in the figure. Long objects may be entangled with the cords and cause accidents.

**NOTICE:** Do not apply excessive force to the cords when raising and inserting the handles.

**NOTICE:** Be sure to raise the handles with both hands.

6. Open the carrier frame toward the front.

► **Fig.10:** 1. Carrier frame

7. Unfold the handles, then insert the long hexagonal bolts into the base unit, and then tighten the nuts with the wrench included in the package.

► **Fig.11:** 1. Long hexagonal bolt

8. Tighten the shoulder bolts from the rear using the wrench included in the package.

► **Fig.12:** 1. Shoulder bolt

9. Tighten the short hexagonal bolts from both sides using the wrench included in the package to fix the handles.

► **Fig.13:** 1. Short hexagonal bolt

**NOTICE:** Do not tighten the short hexagonal bolts with excessive force. Tighten them with proper force so that the handles are stably fixed.

**NOTICE:** Do not pinch the cords with the bolts.

10. Fix the cords with the clamps.

► **Fig.14:** 1. Clamp

11. Fold the carrier frame.

► **Fig.15:** 1. Carrier frame

12. Press the lock button while pulling the brake lever to lock the brake.

► **Fig.16:** 1. Lock button 2. Brake lever

**CAUTION:** If the rear wheels are installed, press the brake pedal for the rear wheel to lock the rear wheel.

13. Hook the carrier lock, and then pull down the lock lever to lock the carrier.

► **Fig.17:** 1. Carrier lock 2. Lock lever

**NOTICE:** Make sure that the lock lever is locked securely.

**NOTICE:** Do not pinch the cords with the lock lever.

**NOTE:** If you attach the support legs instead of the rear wheels, remove the rear wheels from the frames, and then attach the support legs to the frames.

► **Fig.18:** 1. Rear wheel 2. Support leg

## Assembling and installing carrier

### Optional accessory

1. Take out the carrier from the box, attach the side rails to the base frame, and then tighten the thumb nuts to fix the rails.

► **Fig.19:** 1. Thumb nut

2. Place the carrier on the base unit, and then insert the hexagonal bolts and washers into the frames from the top. Tighten the washers and spring washers and butterfly nuts from the bottom to fix the carrier.

► **Fig.20:** 1. Long hexagonal bolt 2. Short hexagonal bolt 3. Washer 4. Spring washer 5. Butterfly nut

**NOTICE:** Use the long bolts for the front, and the short bolts for the rear.

## Installing bucket

### Optional accessory

Place the bucket on the base unit, insert the hexagonal bolts into the frames, and then tighten the washers and spring washers and butterfly nuts from the bottom to fix the bucket.

► **Fig.21:** 1. Hexagonal bolt 2. Washer 3. Spring washer 4. Butterfly nut

## FUNCTIONAL DESCRIPTION

### Installing or removing battery cartridge

**CAUTION:** Always switch off the machine before installing or removing of the battery cartridge.

**CAUTION:** Make sure that you lock the battery cover before use. Otherwise, mud, dirt, or water may cause damage to the product or the battery cartridge.

**CAUTION:** Always install the battery cartridge fully until the red indicator cannot be seen. If not, it may accidentally fall out of the machine, causing injury to you or someone around you.

**CAUTION:** Do not install the battery cartridge forcibly. If the cartridge does not slide in easily, it is not being inserted correctly.

**CAUTION:** Do not use the high-temperature battery cartridge. When the high-temperature battery cartridge is used, the machine stops automatically before a short beep sound is emitted, and may cause an injury.

### Installing the battery cartridge

1. Rotate the lock lever, and then open the cover of the battery box.

► **Fig.22:** 1. Lock lever 2. Cover

2. Align the tongue on the battery cartridge with the slot on the battery box, and then slide the cartridge until it locks in place with a little click. If you can see the red indicator on the upper side of the button, battery cartridge is not locked completely.

► **Fig.23:** 1. Battery cartridge

3. Insert the lock key in the place shown in the figure as far as it will go.

► **Fig.24:** 1. Lock key

**NOTE:** If the lock key is not inserted completely, the machine does not work.

4. Close the cover of the battery box, and then rotate the lock lever.

► **Fig.25:** 1. Lock lever 2. Cover

## Removing the battery cartridge

1. Rotate the lock lever, and then open the cover of the battery box.
2. Pull out the battery cartridge from the battery box while sliding the button on the front of the cartridge.  
▶ **Fig.26:** 1. Button
3. Pull out the lock key.
4. Close the cover of the battery box, and then rotate the lock lever.

## Machine / battery protection system

The machine is equipped with a machine/battery protection system. This system automatically cuts off power to the motor to extend machine and battery life. The machine will automatically stop during operation if the machine or battery cartridge is under one of the following conditions. A short beep sound is emitted before the machine stops automatically. The battery indicators and LED indicators blink while the beep sound is emitted.

## Overload protection

When the machine is operated in a manner that causes it to draw an abnormally high current, the machine automatically stops without any indication. In this situation, turn the machine off and remove the cause of overload, and then turn the machine on to restart.

## Overheat protection

When the machine is overheated, the machine stops automatically. Let the machine cool down before turning the machine on again. The overheat protection is likely to work under high temperature environment.

## Overdischarge protection

When the battery capacity becomes low, the machine stops automatically. If the machine does not operate even when the switches are operated, remove the battery cartridge and charge it.

## Switching the battery cartridge

- ▶ **Fig.27:** 1. Battery selection switch

Up to two battery cartridges can be installed in the battery box, although the machine uses one battery cartridge for operation. Before operating the machine, select the battery cartridge used for operation by pressing the number on the battery selection switch.







**NOTICE:** If only one battery cartridge is installed in the battery box, be sure to select the battery box in which the battery cartridge is installed.

## Indicating the remaining battery capacity on the battery box

**CAUTION:** Before checking the remaining battery capacities or switching the battery cartridge, be sure to stop the machine.

- ▶ **Fig.28:** 1. Battery indicator 2. Check button

Press the check button to indicate the remaining battery capacities. The battery indicators correspond to each battery.

Battery indicator status		Remaining battery capacity
On 	Off 	
		50% - 100%
		20% - 50%
		0% - 20%
		Battery not installed

**CAUTION:** When the battery capacity becomes low, a short beep sound is emitted. If you continue to operate the machine at low battery capacity, a long beep sound is emitted and the machine automatically stops. When you hear the short beep sound, pull the brake lever and lock the brake, and then switch the battery cartridge to a charged one or charge the battery cartridge. When the remaining battery capacity runs out, the machine suddenly stops automatically and this may cause an injury.

**NOTE:** If you continue to pull the switch trigger even if you hear the short beep sound, the machine stops automatically. After the machine stops automatically, the beep sound continues and the support brake (electric brake) is enabled. To cancel the beep sound and release the support brake, pull the brake lever and release the switch trigger. Do not push the machine forcibly without releasing the support brake. After releasing the support brake, you can tell which battery protection system is working by checking the battery indicator status.

- ▶ **Fig.29:** 1. Lighting 2. Blinking 3. Turned off  
4. Overheat protection 5. Overdischarge protection 6. Overload protection

**CAUTION:** If the beep sound is emitted while operating on slopes or the machine stops automatically on slopes, move the machine to a safe place, lock the brake, and then switch the battery cartridge to a charged one or charge the battery cartridge.

If the load is large, and the beep sound is emitted while operating on slopes or the machine stops automatically on slopes, do not move the machine forcibly. Lock the brake, pay attention to safety and switch the battery cartridge to a charged one, and then move the machine to a safe place. Reduce the load before operating the machine again.

**NOTE:** You can check the remaining battery capacity even if the lock key is not inserted.

## Indicating the remaining battery capacity

Only for battery cartridges with the indicator

► Fig.30: 1. Indicator lamps 2. Check button

Press the check button on the battery cartridge to indicate the remaining battery capacity. The indicator lamps light up for a few seconds.

Indicator lamps			Remaining capacity
Lighted	Off	Blinking	
■	□	▧	75% to 100%
■ ■ ■ ■			
■ ■ ■ □			50% to 75%
■ ■ □ □			25% to 50%
■ □ □ □			0% to 25%
▧ □ □ □			Charge the battery.
■ ■ □ □			The battery may have malfunctioned.
□ □ ■ ■			

**NOTE:** Depending on the conditions of use and the ambient temperature, the indication may differ slightly from the actual capacity.

**NOTE:** The first (far left) indicator lamp will blink when the battery protection system works.

## Control panel

► Fig.31: 1. Power button 2. Forward/reverse button 3. Speed button

To turn the power on, press the power button for a few seconds. Press the forward/reverse button to switch between the forward mode and reverse mode. Press the speed button to switch between low speed and high speed. When the power is turned on, the forward mode and low speed are set. To turn the power off, press the power button for a few seconds.

**NOTE:** The forward/reverse button is not available while pulling the switch trigger.

**NOTE:** A short beep sound comes out when operating the machine in reverse.

**NOTE:** The speed button is not available when operating the machine in reverse.

## Switch and brake action

**WARNING:** Before installing the battery cartridge into the machine, always check to see that the switch trigger actuates properly and returns to the "OFF" position when released.

To start the machine, pull the switch trigger. To stop the machine, release the switch trigger and pull the brake lever. To lock the brake lever, press the lock button while pulling the brake lever. To release the lock, pull the brake lever.

► Fig.32: 1. Switch trigger

► Fig.33: 1. Lock button 2. Brake lever

## Rear wheel brake

The rear wheels are equipped with the brakes. Press the brake pedals toward the front to lock the brakes. To release the brakes, press the brake pedals toward the rear.

► Fig.34: 1. Pedal

## Lighting up the front lamps

Press the lamp button on the battery box to light up the lamps. To turn off the lamps, press the lamp button again.

► Fig.35: 1. Lamp button 2. Lamp

**NOTE:** The lamps go off if the machine is left unattended for approximately 10 minutes.

**NOTE:** The lamps go off when the power is turned off.

**NOTE:** You can light up the lamps even if the lock key is not inserted.

## Adjusting the handle height

Remove the short hexagonal bolts and shoulder bolts using the wrench included in the package, and then adjust the handle height. The height can be adjusted to three levels. Tighten the shoulder bolts and short hexagonal bolts to fix the handle.

► Fig.36: 1. Short hexagonal bolt 2. Shoulder bolt

**NOTICE:** Fix the left and right handles at the same height.

**NOTICE:** Do not tighten the short hexagonal bolts with excessive force. Tighten them with proper force so that the handles are stably fixed.

**NOTICE:** Do not pinch the cords with the bolts.

## Adjusting the width of the carrier

Loosen the 4 thumb nuts, and then slide the side rails. Tighten the thumb nuts to fix the side rails.

► Fig.37: 1. Thumb nut 2. Rail

**CAUTION:** Do not slide the rails beyond the limit mark.

► Fig.38

# OPERATION

## Operating the machine

**NOTICE:** The front wheel is driven by battery power in this machine. Use this machine to assist with carrying operations.

**NOTICE:** Be sure to insert the lock key in the battery box before the operation. If the lock key is not inserted, a short beep sound is emitted when you pull the switch trigger. The beep sound stops by releasing the switch trigger and pulling the brake lever.

Before operating the machine, check that the brake lever works properly.

► Fig.39: 1. Brake lever

**WARNING:** If the brake lever reaches the handle when you fully pull the lever, the brake is not working properly. Adjust the brake, or ask your local Makita Service Center for repairs.

1. Select the battery cartridge with the battery selection switch.
2. Press the power button on the control panel for a few seconds to turn the power on.

► Fig.40: 1. Power button

3. Pull the brake lever to release the lock of the brake lever.

► Fig.41: 1. Lock button 2. Brake lever

**NOTE:** Release the rear wheel brake if the rear wheels are installed.

4. Hold the handles firmly with both hands.

► Fig.42

5. Pull the switch trigger.

► Fig.43: 1. Switch trigger

## Loading objects

**CAUTION:** Before loading objects on the machine, make sure that the power is off and the brake lever is locked.

**CAUTION:** If the rear wheels are installed, make sure that the rear wheel brake is locked before loading objects on the machine.

**CAUTION:** Before loading objects on the machine, make sure that the carrier or bucket is locked.

**CAUTION:** Be sure to load objects within the carrier or bucket. If objects are sticking out of the carrier or bucket, they may fall or collapse if they touch obstacles.

► Fig.44

**CAUTION:** Be sure to load objects so that they are below eye level. If the load is too high, it is dangerous because the view is obscured. Also, there is a risk of overturning and injury because the load is likely to be unbalanced.

► Fig.45

When loading objects on the carrier, secure the objects with ropes and tie them down to the rope hooks.

► Fig.46

## Dumping objects

**CAUTION:** Lift the carrier or bucket on flat and stable ground. Operation on unstable ground may cause an accident or injury.

You can dump the objects by lifting and tilting the carrier or bucket.

1. Stop the machine, and then lock the brakes.

**NOTICE:** It is recommended to block the front wheel to stabilize the machine.

2. Release the lock lever.

3. Stand at the side of the machine, hold the handle with one hand, and then lift and tilt the carrier or bucket by pushing up the carrier frame with the other hand.

► Fig.47

**CAUTION:** Hold the handle and carrier frame firmly, and work in a stable posture.

**CAUTION:** Keep the load to a minimum. If the load is large, do not try to lift the carrier. Reduce the load, and then lift the carrier.

**CAUTION:** After dumping the objects, be sure to lock the carrier or bucket.

# MAINTENANCE

**CAUTION:** Always be sure to park the machine on flat ground and lock the brake lever before storage or attempting to perform inspections or maintenance.

**CAUTION:** If the rear wheels are installed, make sure that the rear wheel brake is locked before storage, inspections, or maintenance.

**CAUTION:** Always be sure that the lock key and battery cartridge are removed from the machine before storage, inspections, or maintenance.

**CAUTION:** Always remove the lock key when the machine is not in use. Store the lock key in a safe place out of reach of children.

## Periodic checks

- Check that the bolts and nuts are tightened firmly.

► Fig.48

- Check that the carrier is locked when the lock lever is fully pulled down.

► Fig.49: 1. Carrier lock 2. Lock lever

- Check that the brake lever works properly.

► Fig.50: 1. Brake lever

**WARNING:** If the brake lever reaches the handle when you fully pull the lever, the brake is not working properly. Adjust the brake, or ask your local Makita Service Center for repairs.

- Check to see if the front wheel is not damaged or flat. Check that the air in the tire for the front wheel is sufficient.

## Cleaning the machine

**NOTICE:** Never use gasoline, benzine, thinner, alcohol or the like. Discoloration, deformation or cracks may result.

**NOTICE:** Pour the water below the carrier or bucket when cleaning the machine with running water. Do not use the high pressure washer for cleaning.

Remove mud, dirt, and the like from the machine. Clean the machine with running water. After the cleaning, wipe the machine with a dry cloth.

## Storage

Remove the lock key. Store the machine in a safe place out of the reach of children.

When storing the machine, the handles can be turned toward the front. Remove the short hexagonal bolts and shoulder bolts using the wrench included in the package. Turn the handles toward the outside, and then rotate the handles to the front. Tighten the shoulder bolts and short hexagonal bolts to fix the handles.

► **Fig.51:** 1. Shoulder bolt 2. Short hexagonal bolt

**NOTICE:** Do not tighten the short hexagonal bolts with excessive force. Tighten them with proper force so that the handles are stably fixed.

**NOTICE:** Do not pinch the cords with the bolts.

## Adjusting the brake

**CAUTION:** If the rear wheels are installed, be sure to lock the rear wheel brake before adjusting the brake.

1. Remove the carrier or bucket, and then open the carrier frame.

► **Fig.52:** 1. Carrier frame

2. Pull the brake lever to release the lock button of the brake lever.

► **Fig.53:** 1. Lock button 2. Brake lever

3. Loosen the adjusting sleeve and fixing nut.

► **Fig.54:** 1. Adjusting sleeve 2. Fixing nut

4. Tighten the fixing nut only.

► **Fig.55:** 1. Fixing nut

5. Loosen the adjusting sleeve and fixing nut.

► **Fig.56:** 1. Adjusting sleeve 2. Fixing nut

6. Tighten the fixing nut only.

► **Fig.57:** 1. Fixing nut

7. Make sure that the brake lever is in the halfway position when it is fully pulled. If the brake lever is in the halfway position, go to step 13. If the brake lever is not in the halfway position, go to step 8.

► **Fig.58:** 1. Brake lever

8. Loosen the fixing nut only.

► **Fig.59:** 1. Fixing nut

9. Tighten the fixing nut and adjusting sleeve together.

► **Fig.60:** 1. Adjusting sleeve 2. Fixing nut

10. Loosen the fixing nut only.

► **Fig.61:** 1. Fixing nut

11. Tighten the fixing nut and adjusting sleeve together.

► **Fig.62:** 1. Adjusting sleeve 2. Fixing nut

12. Make sure that the brake lever is in the halfway position when it is fully pulled.

► **Fig.63:** 1. Brake lever

13. Fold the carrier frame, and then attach the carrier or bucket.

► **Fig.64:** 1. Carrier frame

## Refilling the tire with air

Check that the air in the tire for the front wheel is not missing. If the air in the tire is insufficient, refill the tire with air using an inflator. The recommended tire pressure is 230 KPa.

► **Fig.65**

## OPTIONAL ACCESSORIES

**CAUTION:** These accessories or attachments are recommended for use with your Makita tool specified in this manual. The use of any other accessories or attachments might present a risk of injury to persons. Only use accessory or attachment for its stated purpose.

**CAUTION:** Only use the Makita accessory or attachment for the machine. Use of any other accessory or attachment may result in serious personal injury.

If you need any assistance for more details regarding these accessories, ask your local Makita Service Center.

- Carrier
- Bucket
- Auxiliary wheels
- Makita genuine battery and charger

**NOTE:** Some items in the list may be included in the tool package as standard accessories. They may differ from country to country.

## SPECIFIKATIONER

Modell:		DCU180
Dimensioner (L x B x H)	När överdelen är monterad	Vid användning: 1 315 mm x 1 060 mm x 900 mm Vid förvaring: 1 110 mm x 820 mm x 820 mm
	När behållaren är monterad	Vid användning: 1 310 mm x 820 mm x 900 mm Vid förvaring: 1 110 mm x 820 mm x 820 mm
Rullhastighet	Framåt	1,5 eller 3,5 km/h
	Bakåt	1,0 km/h
Minsta vändradie	1 075 mm (ytterdiameter vid vändning runt framhjulets axel)	
Max. klättringskapacitet	12°	
Max. lastkapacitet	130 kg	
Broms	Framhjul	Skivbroms med vajer
	Bakhjul	Fast med pedal
Däck	Framhjul	Slanglöst däck
	Bakhjul	Självtätande däck
Märkspänning	18 V likström	
Nettovikt	När överdelen är monterad	43,7 - 44,0 kg
	När behållaren är monterad	40,7 - 41,0 kg

- På grund av vårt pågående program för forskning och utveckling kan dessa specifikationer ändras utan föregående meddelande.
- Specifikationer och batterikassett kan variera mellan olika länder.
- Vikten kan variera beroende på tillbehören, inklusive batterikassett. Den lättaste och den tyngsta kombinationen enligt EPTA-procedur 01/2014 visas i tabellen.

## Tillgänglig batterikassett och laddare

Batterikassett	BL1815N / BL1820B / BL1830B / BL1840B / BL1850B / BL1860B
Laddare	DC18RC / DC18RD / DC18RE / DC18SD / DC18SE / DC18SF / DC18SH

- Vissa av batterikassetterna och laddarna på listan ovan kanske inte finns tillgängliga i din region.

**⚠ VARNING: Använd endast batterikassetter och laddare från listan ovan.** Användning av andra batterikassetter och laddare kan orsaka personskada och/eller brand.

**⚠ VARNING: Använd inte en strömförsörjning med sladd, som en batteriadapter eller bärbart strömpaket, med denna maskin.** Kabeln till sådan anordning kan hindra användningen och leda till personskada.

## Symboler

Följande visar symbolerna som kan användas för utrustningen. Se till att du förstår innebörden innan användning.



Läs igenom bruksanvisningen.



Gäller endast inom EU  
P.g.a. förekomsten av farliga komponenter i utrustningen kan avfall innehållande elektrisk och elektronisk utrustning, ackumulatörer och batterier ha negativ inverkan på miljön och människors hälsa. Kassera inte elektriska och elektroniska apparater eller batterier ihop med hushållsavfall! I enlighet med EU-direktiven om avfall som utgörs av eller innehåller elektrisk och elektronisk utrustning och om batterier och ackumulatörer och förbrukade batterier och ackumulatörer, och dess införlivande i nationell lagstiftning, bör förbrukad elektrisk och elektronisk utrustning, batterier och ackumulatörer förvaras separat och transporteras till en särskild uppsamlingsplats för kommunalt avfall, som drivs i enlighet med regelverket för miljöskydd. Detta anges av symbolen med den överkryssade soptunnan på hjul som sitter på utrustningen.

	Dra spaken hela vägen ner och kontrollera att överdelen eller behållaren är låst.
	Byt inte riktning i branta sluttningar.
	Lasta och lossa föremål på plan mark.
	Lasta föremål jämnt på överdelen eller behållaren.
	Denna maskin får inte användas på allmän väg.
	Använd inte för att transportera personer.
	Utsätt inte för regn.
	För att stoppa det pipande ljudet, släpp avtryckaren och drar i bromsspaken.
	Titta inte direkt i laserstrålen.
	Garanterad ljudeffektnivå enligt EU-direktivet för utomhusbuller.
	Ljudeffektnivå enligt Australia NSW Noise Control Regulation (Bullerreglering)

## Avsedd användning

Maskinen är avsedd för att lasta och transportera föremål med hjälp av batteridrift.

## Buller

Den normala bullernivån för A-belastning är bestämd enligt EN62841-1:

Ljudtrycksnivå ( $L_{pA}$ ): 70 dB (A) eller lägre  
Mättolerans (K): 3 dB (A)

Bullernivån vid arbete kan överstiga 80 dB (A).

**OBS:** Det deklarerade bullervärdet har uppmätts i enlighet med standardtestmetoden och kan användas för jämförandet av en maskin med en annan.

**OBS:** Det deklarerade bulleremissionsvärdet kan också användas i en preliminär bedömning av exponering för vibration.

**⚠ VARNING:** Använd hörselskydd.

**⚠ VARNING:** Bulleremissionen under faktisk användning av maskinen kan skilja sig från det deklarerade värdet, beroende på hur maskinen används och särskilt vilken typ av arbetsstycke som behandlas.

**⚠ VARNING:** Var noga med att identifiera säkerhetsåtgärder för att skydda användaren, vilka är grundade på en uppskattning av graden av exponering för vibrationer under de faktiska användningsförhållandena, (ta, förutom avtryckartiden, med alla delar av användarcykeln i beräkningen, som till exempel tiden då maskinen är avstängd och när den går på tomgång).

## Vibration

Det totala vibrationsvärdet (treaxlad vektorsumma) bestämt enligt EN62841-1:

Arbetsläge: drift utan last

Vibrationsemission ( $a_h$ ): 2,5 m/s<sup>2</sup> eller lägre

Mättolerans (K): 1,5 m/s<sup>2</sup>

**OBS:** Det deklarerade totala vibrationsvärdet har uppmätts i enlighet med standardtestmetoden och kan användas för jämförandet av en maskin med en annan.

**OBS:** Det deklarerade totala vibrationsvärdet kan också användas i en preliminär bedömning av exponering för vibration.

**⚠ VARNING:** Vibrationsemissionen under faktisk användning av maskinen kan skilja sig från det deklarerade värdet, beroende på hur maskinen används och särskilt vilken typ av arbetsstycke som behandlas.

**⚠ VARNING:** Var noga med att identifiera säkerhetsåtgärder för att skydda användaren, vilka är grundade på en uppskattning av graden av exponering för vibrationer under de faktiska användningsförhållandena, (ta, förutom avtryckartiden, med alla delar av användarcykeln i beräkningen, som till exempel tiden då maskinen är avstängd och när den går på tomgång).

## EG-försäkring om överensstämmelse

Gäller endast inom EU

EG-försäkring om överensstämmelse inkluderas som bilaga A till denna bruksanvisning.

## SÄKERHETSVARNINGAR

### Allmänna säkerhetsvarningar för maskiner

**⚠ VARNING:** Läs alla säkerhetsvarningar, anvisningar, illustrationer och specifikationer som medföljer det här maskinen. Underlåtenhet att följa instruktionerna kan leda till elstöt, brand och/eller allvarliga personskador.

### Spara alla varningar och instruktioner för framtida referens.

Termen "maskin" som anges i varningarna hänvisar till din eldrivna maskin (sladdansluten) eller batteridrivna maskin (sladdlös).

### Säkerhetsvarningar för batteridrivna skottkärra

1. Bär alltid halkfria skyddsskor när du använder maskinen. Halkfria skyddsstövlar och -skor minskar risken för skada.
2. Inspektera körsträckan innan du transporterar föremål/material. Om du lär känna körsträckan och ser till att den är bred nog att säkert navigera maskinen på vid last blir det enklare att undvika att tappa kontroll över maskinen.



3. **Var extremt försiktig på hal, lös och ostadig mark.** Våta och hala underlag som blött gräs, snö eller is eller lös och ostadig terräng som sand och grus, kan göra så att maskinen tappar greppet, vilket i sin tur kan påverka styrning, bromsning och stabilitet.
  4. **Använd inte maskinen i mycket branta sluttningar.** Detta minskar risken att tappa kontrollen, halka och ramla, vilket kan leda till personskada. Sluttningar med högre lutning än den rekommenderade kan öka risken för instabilitet och påverka möjligheten att stanna säkert.
  5. **Vid arbeten i sluttningar, se alltid till att stå stadigt, alltid arbeta tvärs med sluttning, aldrig upp/ner, och utöva extrem försiktighet vid rikttningsbyte.** Detta minskar risken att tappa kontrollen, halka och ramla, vilket kan leda till personskada.
  6. **Om möjligt, stanna, lasta och lasta ur på plana områden och lämna aldrig maskinen utan uppsikt i en sluttning.** Maskinen är ostadigare när den står i en sluttning än när den står på en plan yta.
  7. **Vid stopp i sluttningar, vänd maskinen uppåt eller nedåt och blockera obromsade hjul.** Maskinen är ostadigare om den står tvärs över en sluttning. Obromsade hjul, särskilt de som kan snurra, kan eventuellt svänga och rulla nerför backen, även om framhjulets broms är applicerad.
  8. **När maskinen lämnas utan uppsikt, applicera parkeringsbromsen när maskinen står på en säker plats.** Parkeringsbromsen förhindrar oavsiktlig rörelse av framhjulet och kan förbättra stabiliteten.
  9. **Se till att ramper är rena, kraftiga och säkra.** För att minska risken för skada måste alla ramper vara fria från lösa föremål och tillräckligt kraftiga för att hålla för den förväntade vikten av lasterna som ska köras på dem. De måste ha tillräckliga stöd under och på sidorna för att förhindra svaj ner och åt sidorna vid belastning. Alla ramper måste vara tillräckligt breda för att ha säkert fotfäste när man kör laster på dem.
  10. **Se till att matartratten är nere och att tratten och dumpgaller är låsta när du inte lossar lasten eller förvarar maskinen.** Olåsta trattar eller dumpgaller kan öppnas eller flytta sig oavsiktligt.
  11. **Undvik långa ramper utan fotlister eller räcken över öppna ytor.** Upphöjda ytor och diken inbjuder till olyckor (fall) och ökar risken för eventuell allvarlig skada. Använd fotlister eller räcken på ramper över öppna ytor för att förhindra att köra maskinen av rampen.
  12. **Se till att alla låsskruvor är ordentligt åtdragna innan användning.** Låsskruvor på bakhjulet och öppen överdel fram och sidoväggar måste vara låsta för att förhindra oönskad rörelse av dessa justerbara delar på maskinen.
  13. **Använd aldrig maskinen med överlast.** Se till att maskinen korrekt kapacitetsklass för de föremål eller material som ska fraktas. Överlast gör maskinen svår att manövrera och stanna, vilket ökar stopptiden och -avståndet, samt ökar risken för instabilitet.
  14. **Använd aldrig maskinen med för hög last.** Att stapla material över trågets ovasida eller utanför sidorna kan leda till att maskinen inte går att kontrollera.
  15. **Använd behållare och remmar för att säkra laster.** Lösa och/eller osäkrade laster kan flytta sig vilket leder till instabilitet och förlust av kontroll.
  16. **Ha alltid ett stadigt grepp om handtagen.** Förlust av kontroll kan öka risken för personskada.
  17. **Ta bort säkerhetsnyckeln när maskinen inte används.** Säkerhetsnyckeln förhindrar oönskad, strömsatt användning av maskinen, av t.ex. barn eller andra utbildade eller ej auktoriserade personer. Utan nyckeln kan inte strömmen sättas "på".
  18. **Denna maskin får inte användas på allmänna vägar.** Att använda skottkärran på allmän väg är olagligt och kan leda till lokala rättsliga påföljder, förutom att det kan orsaka personskada.
  19. **Använd en kraftig platta med halkskydd skydd så den inte kan ramla av vid lastning och/eller lossning av denna maskin för transport, eller när du flyttar den mellan olika våningar. Se till att plattans lutning inte överstiger 12° och manövrera maskinen sakta och försiktigt. Ostadig och snabb manövrering kan leda till att maskinen välter och/eller ramlar.**
  20. **Demontera, reparera eller ändra inte denna maskin.**
- Användning**
1. **Stå bakom maskinen när du använder den och håll stadigt i handtagen.**
  2. **Använd inte maskinen när du sitter i den.**
  3. **Låt inte andra sitta i maskinen när du kör den.**
  4. **När du backar med maskinen måste du se upp bakom dig och vara försiktig så att du inte halkar eller snavar.**
  5. **Använd inte maskinen vid dålig sikt eftersom det finns en risk för att köra på föremål.**
  6. **Minska hastigheten och var försiktig när du använder maskinen på ojämn mark.**
  7. **När du undviker maskinen, undvik lös mark för att förhindra att välta om marken ger vika.**
  8. **Använd inte maskinen uppför sluttningar med en lutning överstigande 12°.**
  9. **Om du upptäcker något onormalt, stanna maskinen på plan mark. Innan du inspekterar maskinen, dra i bromsspaken och lås bromsen, stäng sedan av strömmen.**
  10. **Se till att låsspärren är helt nerdragen och låst innan du använder maskinen.** Om låset inte är helt aktiverat finns det en risk för olycka eller skada om överdelen eller behållaren tippar och föremål ramlar ut vid färd ner för sluttningar.
  11. **Var försiktig så inte kablarna trasslar in sig i last eller föremål.**
- Användning i sluttningar**
1. **Kör inte utmed sluttningar.**
  2. **Sänk hastigheten och var försiktig.**
  3. **Var försiktig när du startar eller stannar maskinen i sluttningar.**
  4. **Eftersom laster blir mer instabila i sluttningar måste dessa säkras ordentligt med t.ex. rep.**
  5. **Eftersom maskinen blir instabil beroende på vägens tillstånd ska lasten hållas på ett minimum.**

6. Eftersom sikten kan vara sämre i slutningar ska lastens höjd hållas på ett minimum.
7. Parkera aldrig maskinen i branta slutningar. Parkera maskinen på plan mark, dra i bromsspaken och lås bromsen, stäng sedan av strömmen.
8. Byt inte riktning eller ändra hastighetsläge i branta slutningar.
9. Släpp inte avtryckaren vid körning uppåt i slutningar. Maskinen kan börja backa och orsaka en olycka.
10. Se till att återstående batterikapacitet är tillräcklig innan du kör i slutningar. Om återstående batterikapacitet inte är tillräckligt, ladda batteriet eller byt ut det mot ett laddat.

#### Lasta föremål

1. Lasta inte för många föremål. Se till att följa instruktionerna och lastgränserna i bruksanvisningen när du lastar föremål.
2. Sätt fast föremålen ordentligt med t.ex. rep.
3. Lasta föremålen inom överdelen eller behållaren. Om föremålen sticker ut utanför överdelen eller behållaren finns det en risk för olycka om föremål faller eller kommer i kontakt med andra föremål som t.ex. en vägg.
4. Se till att lastade föremål är under ögonnivå. Det är farligt om lasten är hög eftersom sikten blir skyddad. Det finns även en risk att välta och skada sid eftersom lasten blir instabil.
5. Lasta föremålen jämnt på överdelen eller behållaren. Om föremålen lastas ojämnt finns det en risk att välta och skada sid eftersom lasten blir instabil.
6. Se till att låsspärren är helt nerdragen och låst innan du lastar föremål eller använder maskinen.
7. Se till att lasta tunga föremål först för att hålla balansen.
8. Skjut inte ut räckena fram och på sidorna i branta slutningar. Skjut ut sidoräckena när lätta föremål är lastade.
9. När räckena fram och på sidorna skjuts ut får de inte skjutas ut över gränsen. Se till att skjuta ut sidoräckena så att höre och vänster sida har samma längd och lasta föremål jämnt.
10. Lasta och lossa föremål på plan mark.
11. När överdelen eller behållaren lyfts eller lutas, håll stadigt i handtagen och ramen och arbeta i en stabil position.

#### Underhåll

1. Se alltid till att parkera maskinen på plan mark och lås bromsspaken innan förvaring eller inspektion/underhåll.

## SPARA DESSA ANVISNINGAR.

**⚠ VARNING: GLÖM INTE** att också fortsättningsvis strikt följa säkerhetsanvisningarna för maskinen även efter att du blivit van att använda den. Vid **FELAKTIG HANTERING** av maskinen eller om inte säkerhetsanvisningarna i denna bruksanvisning följs kan följden bli allvarliga personskador.

## Viktiga säkerhetsanvisningar för batterikassetten

1. Innan batterikassetten används ska alla instruktioner och varningsmärken på (1) batteriladdaren, (2) batteriet och (3) produkten läsas.
2. Montera inte isär eller mixtra med batterikassetten. Det kan leda till brand, överdriven värme eller explosion.
3. Om drifttiden blivit avsevärt kortare ska användningen avbrytas omedelbart. Det kan uppstå överhettning, brännskador och t o m en explosion.
4. Om du får elektrolyt i ögonen ska de sköljas med rent vatten och läkare uppsökas omedelbart. Det finns risk för att synen förloras.
5. Kortslut inte batterikassetten.
  - (1) Rör inte vid polerna med något strömförande material.
  - (2) Undvik att förvara batterikassetten tillsammans med andra metallobjekt som t.ex. spikar, mynt o.s.v.
  - (3) Skydda batteriet mot vatten och regn. En batterikortslutning kan orsaka ett stort strömflöde, överhettning, brand och maskinhaveri.
6. Förvara och använd inte verktyget och batterikassetten på platser där temperaturen kan nå eller överstiga 50 °C.
7. Bränn inte upp batterikassetten även om den är svårt skadad eller helt utsliten. Batterikassetten kan explodera i öppen eld.
8. Spika inte i, krossa, kasta, tappa eller slå batterikassetten mot hårda föremål. Dylika händelser kan leda till brand, överdriven värme eller explosion.
9. Använd inte ett skadat batteri.
10. De medföljande litiumjonbatterierna är föremål för kraven i gällande lagstiftning för farligt gods. För kommersiella transporter (av t.ex. tredje parter som speditorsfirmor) måste de särskilda transportkrav som anges på emballaget och etiketter iakttas. För att förbereda den produkt som ska avsendas krävs att du konsulterar en expert på riskmaterial. Var också uppmärksam på att det i ditt land kan finnas ytterligare föreskrifter att följa. Tejpa över eller maskera blottade kontakter och packa batteriet på sådant sätt att det inte kan röra sig fritt i förpackningen.
11. När batterikassetten ska kasseras måste den tas bort från maskinen och kasseras på ett säkert sätt. Följ lokala föreskrifter beträffande avfallshandling av batteriet.
12. Använd endast batterierna med de produkter som specificerats av Makita. Att använda batterierna med ej godkända produkter kan leda till brand, överdriven värme, explosion eller utläckande elektrolyt.
13. Om maskinen inte används under en lång tid måste batteriet tas bort från maskinen.
14. Under och efter användning kan batterikassetten bli het vilket kan orsaka brännskador eller lättare brännskador. Var uppmärksam på hur du hanterar varma batterikassetter.
15. Vidrör inte verktygets kontakter direkt efter användning eftersom de kan bli heta och orsaka brännskador.

16. Låt inte flisor, damm eller smuts fastna i kontaktarna, i håll eller spår i batterikassetten. Det kan leda till dålig prestanda eller till att verktyget eller batterikassetten går sönder.
17. Såvida inte verktyget stöder arbeten i närheten av högspänningsledning får batterikassetten inte användas i närheten av en högspänningsledning. Det kan leda till att verktyget eller batterikassetten går sönder eller inte fungerar korrekt.
18. Förvara batteriet utom räckhåll för barn.

## SPARA DESSA ANVISNINGAR.

**⚠FÖRSIKTIGT:** Använda endast äkta Makita-batterier. Användning av oäkta Makita-batterier eller batterier som har manipulerats kan leda till person- och utrustningsskador eller till att batteriet fattar eld. Det upphäver också Makitas garanti för verktyget och laddaren.

## Tips för att uppnå batteriets maximala livslängd

1. Ladda batterikassetten innan den är helt urladdad. Stanna alltid maskinen och ladda batterikassetten när du märker att maskinen blir svagare.
2. Ladda aldrig en fulladdad batterikassett. Överladdning förkortar batteriets livslängd.
3. Ladda batterikassetten vid en rumstemperatur på 10 °C - 40 °C. Låt en varm batterikassett svalna innan den laddas.
4. När batterikassetten inte används ska den tas bort från verktyget eller laddaren.
5. Ladda batterikassetten om du inte har använt den på länge (mer än sex månader).

## BESKRIVNING AV DELAR

### Delbeskrivning (när överdelen är monterad)

► Fig.1

1	Kontrollpanel	2	Handtag
3	Avtryckare	4	Batterilåda
5	Bromsspak för framhjul	6	Bakhjul
7	Bromspedal för bakhjul	8	Lampa
9	Framhjul	10	Överdel

### Delbeskrivning (när behållaren är monterad)

► Fig.2

1	Kontrollpanel	2	Handtag
3	Avtryckare	4	Batterilåda
5	Bromsspak för framhjul	6	Bakhjul
7	Bromspedal för bakhjul	8	Lampa
9	Framhjul	10	Behållare

## MONTERING

**⚠FÖRSIKTIGT:** Se alltid till att maskinen är avstängd och batterikassetten borttagen innan du underhåller maskinen.

### Montera huvudenheten

1. Ta ut basenheten och handtagen från lådan.  
► Fig.3

**OBSERVERA:** Se till att ta ut basenheten och handtagen tillsammans så att inte kablarna utsätts för belastning.

2. Placera emballaget under basenhetens bakre del.  
► Fig.4: 1. Emballage
3. Sätt in de bakre hjulen i ramen.  
► Fig.5: 1. Bakhjul  
► Fig.6: 1. Bakhjul

**OBS:** Stödbenen kan fästas istället för de bakre hjulen.

4. Fäst fjäderbrickan och brickan på den korta sexkantsbulten och dra åt dem med den medföljande nyckeln.  
► Fig.7: 1. Kort sexkantsbult 2. Fjäderbricka 3. Bricka  
► Fig.8

**OBSERVERA:** Se till att använda den korta sexkantsbulten för att sätta fast de bakre hjulen.

**OBSERVERA:** Sätt fast de bakre hjulen på samma position på båda sidor.

5. Lyft upp handtagen och sätt in dem i basenheten.  
► Fig.9

**OBSERVERA:** Lämna inte kablarna inne i område "A" på bilden. Långa föremål kan trassla in sig i kablarna och orsaka skador.

**OBSERVERA:** Applicera inte överdriven belastning på kablarna när du lyfter upp och sätter i handtagen.

**OBSERVERA:** Se till att lyfta upp handtagen med båda händerna.

6. Sätt fast överdelens ram med den öppna sidan vänd framåt.  
► Fig.10: 1. Överdelens ram
7. Vik upp handtagen, sätt in de långa sexkantsbultarna i basenheten och dra åt muttrarna med den medföljande nyckeln.  
► Fig.11: 1. Lång sexkantsbult
8. Dra åt ansatsbultarna bakifrån med den medföljande nyckeln.  
► Fig.12: 1. Ansatsbult
9. Dra åt de korta sexkantsbultarna från båda sidor med den medföljande nyckeln för att fixera handtagen.  
► Fig.13: 1. Kort sexkantsbult

**OBSERVERA:** Dra inte åt de korta sexkantsbultarna för hårt. Dra åt dem med korrekt moment så att handtagen sitter ordentligt.

**OBSERVERA:** Kläm inte kablarna med bultarna.

10. Fixera kablarna med klämmor.

► Fig.14: 1. Klämma

11. Vik överdelens ram.

► Fig.15: 1. Överdelens ram

12. Tryck in låsknappen när du drar i bromsspaken för att låsa bromsen.

► Fig.16: 1. Låsknapp 2. Bromsspak

**⚠FÖRSIKTIGT:** Om de bakre hjulen är monterade, tryck ner bromspedalen för bakhjulet för att låsa det.

13. Haka fast överdelens krok och dra ner låsspärren för att låsa överdelen.

► Fig.17: 1. Överdelens lås 2. Låsspärr

**OBSERVERA:** Se till att låsspärren är åtdragen.

**OBSERVERA:** Kläm inte kablarna med låsspärren.

**OBS:** Om du sätter fast stödbenen istället för bakhjulen, ta bort de bakre hjulen från ramen och sätt fast stödbenen på ramen.

► Fig.18: 1. Bakhjul 2. Stödben

## Sätta ihop och montera överdel

### Extra tillbehör

1. Ta ut överdelen från lådan, fäst sidoräckena på basramen och dra åt de lättrade muttrarna för att säkra räckena.

► Fig.19: 1. Lättrad mutter

2. Placera överdelen på basenheten och sätt i sexkantsbultarna och brickorna i ramen från ovasidan. Dra åt brickor och fjäderbrickor samt vingmuttrar underifrån för att fixera överdelen.

► Fig.20: 1. Lång sexkantsbult 2. Kort sexkantsbult 3. Bricka 4. Fjäderbricka 5. Vingmutter

**OBSERVERA:** Använd de långa bultarna framtill och de korta bultarna baktilt.

## Montera behållare

### Extra tillbehör

Placera behållaren på basenheten, sätt i sexkantsbultarna i ramen och dra åt brickorna och fjäderbrickorna samt vingmuttrarna underifrån för att fixera behållaren.

► Fig.21: 1. Sexkantsbult 2. Bricka 3. Fjäderbricka 4. Vingmutter

## FUNKTIONSBESKRIVNING

### Montera eller demontera batterikassetten

**⚠FÖRSIKTIGT:** Stäng alltid av maskinen innan du monterar eller tar bort batterikassetten.

**⚠FÖRSIKTIGT:** Se till att du läser batterikåpan före användning. I annat fall kan lera, smuts eller vatten orsaka skada på produkten eller batterikassetten.

**⚠FÖRSIKTIGT:** För alltid in batterikassetten helt tills den röda indikatorn inte längre syns. I annat fall kan den plötsligt lossna från maskinen och skada dig eller någon annan.

**⚠FÖRSIKTIGT:** Montera inte batterikassetten med våld. Om kassetten inte lätt glider på plats är den felaktigt insatt.

**⚠FÖRSIKTIGT:** Använd inte batterikassett med hög temperatur. Om en batterikassett med hög temperatur används stannar maskinen automatiskt innan en kort signal ljuder och kan leda till skada.

### Sätta i batterikassetten

1. Vrid på låsspärren och öppna batterilådans lock.

► Fig.22: 1. Låsspärr 2. Lock

2. Rikta in batterikassetten tunga med öppningen på batterilådan. Skjut sedan in kassetten tills den låser fast med ett litet klick. Om du kan se den röda indikatorn på knappens ovasida är inte batterikassetten låst ordentligt.

► Fig.23: 1. Batterikassett

3. Sätt i säkerhetsnyckeln på platsen som visas i figuren, så långt det går.

► Fig.24: 1. Säkerhetsnyckel

**OBS:** Om säkerhetsnyckeln inte är ordentligt isatt fungerar inte maskinen.

4. Stäng batterilådans lock och vrid låsspärren.

► Fig.25: 1. Låsspärr 2. Lock

### Ta bort batterikassetten

1. Vrid på låsspärren och öppna batterilådans lock.

2. Dra ur batterikassetten från batterilådan samtidigt som du skjuter på knappen på kassetten framsida.

► Fig.26: 1. Knapp

3. Dra ut säkerhetsnyckeln.

4. Stäng batterilådans lock och vrid låsspärren.

### Skyddssystem för maskinen/batteriet

Maskinen är utrustad med ett batteriskyddssystem. Detta system bryter automatiskt strömmen till motorn för att förlänga maskinens och batteriets livslängd. Maskinen stoppar automatiskt under användningen om maskinen eller batterikassetten hamnar i en av följande situationer: En kort signal ljuder innan maskinen stoppar automatiskt. Batteriindikatorer och LED-indikatorer blinkar när signalen ljuder.

## Överbelastningskydd

Om maskinen används på ett sätt som gör att den drar orimligt mycket ström kan den stoppas automatiskt utan någon varning. Om så sker, stäng av maskinen och åtgärda orsaken till överbelastningen. Sätt därefter på maskinen igen för att starta om.

## Överhettningsskydd

När maskinen överhettas stoppar den automatiskt. Låt maskinen svalna innan du startar den igen. Överhettningsskyddet aktiveras troligen vid höga temperaturer.

## Överurladdningsskydd

När batteriets kapacitet är låg stoppar maskinen automatiskt. Om maskinen inte fungerar trots att knapparna fungerar som de ska tar du bort batterikassetten från maskinen och laddar den.

### Byta batterikassett

#### ► Fig.27: 1. Batteriväljare

Upp till två batterikassetter kan installeras i batterilådan, men maskinen använder endast en batterikassett. Innan du använder maskinen, välj den batterikassett som ska användas genom att trycka in numret på batteriväljaren.

**OBSERVERA:** Se till att välja den batterilåda som batterikassetten har installerats i om endast en batterikassett är installerad i batterilådan.

### Indikerar återstående batterikapacitet på batterilådan.

**⚠ FÖRSIKTIGT:** Se till att stanna maskinen innan du kontrollerar den återstående batterikapaciteten eller byter batterikassetten.

#### ► Fig.28: 1. Batteriindikator 2. Kontrollknapp

Tryck på kontrollknappen för att se kvarvarande batterikapacitet. Batteriindikeringarna motsvarar varje batteri.

Batteriindikatorstatus		Kvarvarande batterikapacitet
På	Av	
		50% - 100%
		20% - 50%
		0% - 20%
		Batteri ej installerat

**⚠ FÖRSIKTIGT:** När batterikapaciteten blir låg ljuder en kort signal. Om du fortsätter använda maskinen med låg batterikapacitet ljuder en lång signal och maskinen stoppar automatiskt. När du hör den korta signalen, dra i bromsspaken och lås bromsen. Byt därefter till en laddad batterikassett eller ladda den urladdade batterikassetten. När återstående batterikapacitet tar slut stoppar maskinen plötsligt och detta kan orsaka skada.

**OBS:** Om du fortsätter dra i avtryckaren även om du hör den korta signalen stoppar maskinen automatiskt. När maskinen har stoppat automatiskt fortsätter signalen och stödbromsen (elbroms) aktiveras. Dra i bromsspaken och släpp avtryckaren för att avbryta signalen och lossa stödbromsen. Tryck inte maskinen med våld utan att först lossa stödbromsen. När du har lossat stödbromsen kan du se vilket batteriskyddssystem som är aktivt genom att kontrollera batteriindikatorstatusen.

- Fig.29: 1. Belysning 2. Blinkar 3. Avstängd  
4. Överhettningsskydd 5. Överurladdningsskydd  
6. Överbelastningsskydd

**⚠ FÖRSIKTIGT:** Om signalen ljuder vid arbete i slutningar, eller om maskinen stoppar automatiskt i slutningar, flytta maskinen till en säker plats, lås bromsen och växla därefter till en laddad batterikassett eller ladda den urladdade batterikassetten.

Om belastningen är hög och signalen ljuder vid arbete i slutningar, eller om maskinen stoppar automatiskt i slutningar, flytta inte maskinen med våld. Lås bromsen, var uppmärksam på säkerheten och växla till en laddad batterikassett, flytta därefter maskinen till en säker plats. Minska belastningen innan du använder maskinen igen.

**OBS:** Du kan kontrollera återstående batterikapacitet även om säkerhetsnyckeln inte är isatt.

### Indikerar kvarvarande batterikapacitet

#### Endast för batterikassetter med indikator

#### ► Fig.30: 1. Indikatorlampor 2. Kontrollknapp

Tryck på kontrollknappen på batterikassetten för att se kvarvarande batterikapacitet. Indikatorlamporna lyser i ett par sekunder.

Indikatorlampor			Kvarvarande kapacitet
Upplyst	Av	Blinkar	
			75% till 100%
			50% till 75%
			25% till 50%
			0% till 25%
			Ladda batteriet.
			Batteriet kan ha skadats.

**OBS:** Beroende på användningsförhållanden och den omgivande temperaturen kan indikationen skilja sig lätt från den faktiska batterikapaciteten.

**OBS:** Den första (längst till vänster) indikatorlampan kommer att blinka när batteriskyddssystemet fungerar.

## Kontrollpanel

- **Fig.31:** 1. Strömbrytare 2. Fram-/backknapp 3. Hastighetsknapp

Tryck in strömbrytaren ett par sekunder för att sätta på strömmen. Tryck på fram-/backknappen för att växla mellan körning framåt/bakåt. Tryck på hastighetsknappen för att växla mellan låg hastighet och hög hastighet. När strömmen kopplas till är läge framåt och låg hastighet inställda. Tryck in strömbrytaren ett par sekunder för att stänga av strömmen.

**OBS:** Fram-/backknappen är inte tillgänglig när du aktiverar avtryckaren.

**OBS:** En kort signal ljuder när maskinen backas.

**OBS:** Hastighetsknappen är inte tillgänglig när maskinen backas.

## Omkopplar- och bromsfunktion

**⚠ VARNING:** Innan du monterar batterikassetten i maskinen ska du alltid kontrollera att avtryckaren fungerar och återgår till läget "OFF" när du släpper den.

Det är bara att trycka in avtryckaren när du vill starta maskinen. För att stoppa maskinen släpper du avtryckaren och drar i bromsspaken. För att låsa bromsspaken trycker du in låsknappen samtidigt som du drar i bromsspaken. För att släppa låset drar du i bromsspaken.

- **Fig.32:** 1. Avtryckare

- **Fig.33:** 1. Låsknapp 2. Bromsspak

## Bakhjulsbroms

Bakhjulen är utrustade med bromsar. Tryck bromspedalerna framåt för att låsa bromsarna. För att lossa bromsarna trycker du bromspedalerna bakåt.

- **Fig.34:** 1. Pedal

## Tända frontlamporna

Tryck på lampknappen på batterilådan för att tända lamporna. Tryck en gång till på lampknappen för att släcka dem.

- **Fig.35:** 1. Lampknapp 2. Lampa

**OBS:** Lampan slocknar om maskinen lämnas utan att användas i ca 10 minuter.

**OBS:** Lamporna slocknar när strömmen stängs av.

**OBS:** Du kan tända lamporna även om säkerhetsnyckeln inte är isatt.

## Justera handtagens höjd

Ta bort de korta sexkantsbultarna och ansatsbultarna med den medföljande nyckeln och justera därefter handtagens höjd. Höjden kan justeras i tre steg. Dra åt ansatsbultarna och de korta sexkantsbultarna för att fixera handtaget.

- **Fig.36:** 1. Kort sexkantsbult 2. Ansatsbult

**OBSERVERA:** Fixera vänster och höger handtag på samma höjd.

**OBSERVERA:** Dra inte åt de korta sexkantsbultarna för hårt. Dra åt dem med korrekt moment så att handtaget sitter ordentligt.

**OBSERVERA:** Kläm inte kablarna med bultarna.

## Justera överdelens bredd

Lossa de 4 lätttrade muttrarna och skjut ut sidoräckena. Dra åt de lätttrade muttrarna för att fästa sidoräckena.

- **Fig.37:** 1. Lätttrad mutter 2. Räcke

**⚠ FÖRSIKTIGT:** Skjut inte ut räckena utanför maxgränsen.

- **Fig.38**

## ANVÄNDNING

### Använda maskinen

**OBSERVERA:** Framhjulet drivs av ett batteri på denna maskin. Använd denna maskin som hjälp med transport.

**OBSERVERA:** Se till att sätta in säkerhetsnyckeln i batterilådan innan användning. Om säkerhetsnyckeln inte är isatt ljuder en kort signal när du drar i avtryckaren. Signalen upphör när du släpper avtryckaren och drar i bromsspaken.

Kontrollera att bromsspaken fungerar ordentligt innan maskinen används.

- **Fig.39:** 1. Bromsspak

**⚠ VARNING:** Om bromsspaken når handtaget utan att bromsen bromsar helt fungerar inte bromsen ordentligt. Justera bromsen eller kontakta ditt lokala Makita-servicecenter för reparation.

1. Välj batterikassetten med batteriväljaren.
2. Tryck på strömknappen på kontrollpanelen ett par sekunder för att sätta på strömmen.  
► **Fig.40:** 1. Strömbrytare

3. Dra i bromsspaken för att lossa bromsspakens låsning.  
► **Fig.41:** 1. Låsknapp 2. Bromsspak

**OBS:** Lossa bakhjulsbromsen om de bakre hjulen är monterade.

4. Håll stadigt i handtagen med båda händerna.

► Fig.42

5. Tryck in avtryckaren.

► Fig.43: 1. Avtryckare

## Lasta föremål

**⚠ FÖRSIKTIGT:** Innan du lastar föremål på maskinen måste du se till att strömmen är från och bromsspaken är låst.

**⚠ FÖRSIKTIGT:** Om bakhjulen är monterade, se till att bakhjulsbromsen är låst innan du lastar föremål på maskinen.

**⚠ FÖRSIKTIGT:** Innan du lastar föremål på maskinen måste du se till att överdelen eller behållaren är låst.

**⚠ FÖRSIKTIGT:** Se till att lasta föremål inom överdelen eller behållaren. Om föremål sticker ut utanför överdelen eller behållaren kan de ramla om de kommer i kontakt med andra föremål.

► Fig.44

**⚠ FÖRSIKTIGT:** Se till att lasta föremål så att de är under ögonnivå. Det är farligt om lasten är för hög eftersom sikten blir skymd. Det finns även en risk att välta och skada sid eftersom lasten blir instabil.

► Fig.45

När föremål lastas på överdelen ska de säkras med t.ex. rep i krokarna.

► Fig.46

## Lossa föremål

**⚠ FÖRSIKTIGT:** Lyft upp överdelen eller behållaren på ett plant och stabilt underlag. Användning på löst underlag kan leda till olycka eller skada.

Du kan lossa föremål genom att lyfta och luta överdelen eller behållaren.

1. Stoppa maskinen och lås bromsarna.

**OBSERVERA:** Det rekommenderas att blockera framhjulet för att stabilisera maskinen.

2. Lossa låsspaken.

3. Stå på sidan av maskinen, håll i handtaget med en hand och lyft och luta sedan överdelen eller behållaren med den andra handen.

► Fig.47

**⚠ FÖRSIKTIGT:** Håll stadigt i handtaget och överdelen och arbeta i en stabil position.

**⚠ FÖRSIKTIGT:** Håll lasten på ett minimum. Försök inte lyfta överdelen om lasten är stor. Minska lasten och lyft sedan överdelen.

**⚠ FÖRSIKTIGT:** Se till att låsa fast överdelen eller behållaren när du har lossat föremål.

## UNDERHÅLL

**⚠ FÖRSIKTIGT:** Se alltid till att parkera maskinen på plan mark och låsa bromsspaken innan förvaring eller inspektion/underhåll.

**⚠ FÖRSIKTIGT:** Om bakhjulen är monterade, se till att bakhjulsbromsen är låst innan förvaring, inspektion eller underhåll.

**⚠ FÖRSIKTIGT:** Se alltid till att säkerhetsnyckeln och batterikassetten tas ut från maskinen före förvaring, inspektion eller underhåll.

**⚠ FÖRSIKTIGT:** Ta alltid ut säkerhetsnyckeln när maskinen inte används. Förvara säkerhetsnyckeln på en säker plats utom räckhåll för barn.

## Regelbundna kontroller

- Kontrollera att bultar och muttrar är ordentligt åtdragna.

► Fig.48

- Kontrollera att överdelen är låst när låsspärren är helt nerdragen.

► Fig.49: 1. Överdels lås 2. Låsspärr

- Kontrollera att bromsspaken fungerar ordentligt.

► Fig.50: 1. Bromsspak

**⚠ VARNING:** Om bromsspaken når handtaget utan att bromsen bromsar helt fungerar inte bromsen ordentligt. Justera bromsen eller kontakta ditt lokala Makita-servicecenter för reparation.

- Kontrollera om framhjulet är skadat eller har en punktering. Kontrollera att det är tillräckligt med luft i framhjulets däck.

## Rengöring av maskinen

**OBSERVERA:** Använd inte bensin, förtunningsmedel, alkohol eller liknande. Missfärgning, deformation eller sprickor kan uppstå.

**OBSERVERA:** Håll vattnet nedanför överdelen eller behållaren när du gör rent maskinen med rinnande vatten. Använd inte högtrycksvätt för att göra rent.

Avlägsna lera, smuts mm. från maskinen. Rengör maskinen under rinnande vatten. Torka maskinen med en torr trasa efter rengöringen.

## Förvaring

Ta ut säkerhetsnyckeln. Förvara maskinen på en säker plats utom räckhåll för barn.

Vid förvaring av maskinen kan handtagen vändas framåt. Ta bort de korta sexkantsbultarna och ansatsbultarna med den medföljande nyckeln. Vrid handtagen mot utsidan och rotera dem därefter framåt. Dra åt ansatsbultarna och de korta sexkantsbultarna för att fixera handtagen.

► Fig.51: 1. Ansatsbult 2. Kort sexkantsbult

**OBSERVERA:** Dra inte åt de korta sexkantsbultarna för hårt. Dra åt dem med korrekt moment så att handtagen sitter ordentligt.

**OBSERVERA:** Kläm inte kablarna med bultarna.

## Justera bromsen

**⚠FÖRSIKTIGT:** Om bakhjulen är monterade, se till att låsa bakhjulsbromsen innan du justerar den.

1. Ta bort överdelen eller behållaren och öppna överdelens ram.  
► **Fig.52:** 1. Överdelens ram
2. Dra in bromsspaken för att lossa bromsspakens låsknapp.  
► **Fig.53:** 1. Låsknapp 2. Bromsspak
3. Lossa på justerhylsan och låsmutter.  
► **Fig.54:** 1. Justerhylsa 2. Låsmutter
4. Dra endast åt låsmuttern.  
► **Fig.55:** 1. Låsmutter
5. Lossa på justerhylsan och låsmutter.  
► **Fig.56:** 1. Justerhylsa 2. Låsmutter
6. Dra endast åt låsmuttern.  
► **Fig.57:** 1. Låsmutter
7. Se till att bromsspaken är intryckt halvvägs när den bottnar. Om bromsspaken når halvvägs, gå till steg 13. Om bromsspaken inte når halvvägs, gå till steg 8.  
► **Fig.58:** 1. Bromsspak
8. Lossa endast på låsmuttern.  
► **Fig.59:** 1. Låsmutter
9. Dra åt låsmuttern och justerhylsan samtidigt.  
► **Fig.60:** 1. Justerhylsa 2. Låsmutter
10. Lossa endast på låsmuttern.  
► **Fig.61:** 1. Låsmutter
11. Dra åt låsmuttern och justerhylsan samtidigt.  
► **Fig.62:** 1. Justerhylsa 2. Låsmutter
12. Se till att bromsspaken är intryckt halvvägs när den bottnar.  
► **Fig.63:** 1. Bromsspak
13. Fäll ihop överdelens ram och fäst sedan överdelen eller behållaren.  
► **Fig.64:** 1. Överdelens ram

## Fylla på luft i däcket

Kontrollera att det inte saknas luft i framhjulets däck. Om luften i däcket är otillräcklig, fyll då på däcket med luft med hjälp av en tryckpump. Det rekommenderade däckstrycket är 230 KPa.

► **Fig.65**

## VALFRIA TILLBEHÖR

**⚠FÖRSIKTIGT:** Följande tillbehör eller tillsatser rekommenderas för användning med den Makita-maskin som denna bruksanvisning avser. Om andra tillbehör eller tillsatser används kan det uppstå risk för personsador. Använd endast tillbehören eller tillsatserna för de syften de är avsedda för.

**⚠FÖRSIKTIGT:** Använd endast tillbehören eller tillsatserna från Makita till maskinen. Om andra tillbehör eller tillsatser används kan det resultera i allvarlig personskada.

Kontakta ditt lokala Makita servicecenter om du behöver ytterligare information om dessa tillbehör.

- Överdell
- Behållare
- Hjälphjul
- Makitas originalbatteri och laddare

**OBS:** Några av tillbehören i listan kan vara inkluderade i maskinpaketet som standardtillbehör. De kan variera mellan olika länder.



## TEKNISKE DATA

Modell:		DCU180
Mål (L x B x H)	Når lasteplan er montert	Under bruk: 1 315 mm x 1 060 mm x 900 mm Under oppbevaring: 1 110 mm x 820 mm x 820 mm
	Når skål er montert	Under bruk: 1 310 mm x 820 mm x 900 mm Under oppbevaring: 1 110 mm x 820 mm x 820 mm
Kjørehastighet	Fremover	1,5 eller 3,5 km/h
	Revers	1,0 km/h
Minimum svingradius		1 075 mm (utvendig diameter ved svinging med fremhjul som akse)
Maksimal stigningskapasitet		12°
Maksimal lastekapasitet		130 kg
Brems	Fremhjul	Skivebrems med wire
	Bakhjul	Låses med pedal
Dekk	Fremhjul	Slangeløst dekk
	Bakhjul	Selvtettende dekk
Merkespenning		DC 18 V
Nettovekt	Når lasteplan er montert	43,7 - 44,0 kg
	Når skål er montert	40,7 - 41,0 kg

- På grunn av vårt kontinuerlige forsknings- og utviklingsprogram kan spesifikasjonene som oppgis i dette dokumentet endres uten varsel.
- Spesifikasjoner og batteriinnsetts kan variere fra land til land.
- Vekten kan variere avhengig av tilbehøret/tilbehørene, inkludert batteriet. Den letteste og tyngste kombinasjonen, i henhold til EPTA-prosedyre 01/2014, vises i tabellen.

## Passende batteri og lader

Batteriinnsetts	BL1815N / BL1820B / BL1830B / BL1840B / BL1850B / BL1860B
Lader	DC18RC / DC18RD / DC18RE / DC18SD / DC18SE / DC18SF / DC18SH

- Noen av batteriene og laderne som er opplistet ovenfor er kanskje ikke tilgjengelige, avhengig av hvor du bor.

**⚠ ADVARSEL: Bruk kun de batteriene og laderne som er opplistet ovenfor.** Bruk av andre batterier og ladere kan føre til personskader og/eller brann.

**⚠ ADVARSEL: Ikke bruk en kablet strømforsyning som batteriadapter eller bærbar lader med denne maskinen.** Strømforsyningens kabel kan komme i veien under bruk og føre til personskade.

## Symboler

Nedenfor ser du symbolene som kan brukes for dette utstyret. Forviss deg om at du forstår hva de betyr, før du begynner å bruke maskinen.



Les bruksanvisningen.



Ni-MH  
Li-ion

Kun for EU-land  
På grunn av forekomst av farlige komponenter i utstyret, kan avfall fra elektrisk og elektronisk utstyr, akkumulatører og batterier ha en negativ innvirkning på miljøet og menneskers helse. Ikke kast elektriske og elektroniske apparater eller batterier sammen med husholdningsavfall!  
I samsvar med det europeiske direktivet om avfall fra elektrisk og elektronisk utstyr og om akkumulatører og batterier samt akkumulatører og batterier som skal kastes, samt deres tilpasning til nasjonal lovgivning, skal brukt elektrisk utstyr samt brukte batterier og akkumulatører samles inn separat og leveres til et eget innsamlingssted for kommunalt avfall, som driver virksomhet i samsvar med miljøvernforordningene. Dette er angitt av symbolet med den overkryssede avfallsbeholderen som er plassert på utstyret.

	Trekk spaken helt ned og kontrollér at lasteplanet eller skålen er låst.
	Ikke endre retning i bratte bakker.
	Gjenstander må lastes og losses på flatt underlag.
	Last gjenstandene jevnt fordelt på lasteplanet eller skålen.
	Denne maskinen kan ikke brukes på offentlig vei.
	Må ikke brukes til persontransport.
	Må ikke utsettes for regn.
	For å slå av pipetonen må du slippe startbryteren og trekke i bremsespaken.
	Du må ikke se rett på strålen.
	Garantert lydeffektnivå i henhold til EU-direktivet om støy fra utstyr til utendørs bruk.
	Lydeffektnivå i henhold til Australia NSW støykontrollforskrift

## Riktig bruk

Maskinen er beregnet på lasting og frakting av gjenstander ved hjelp av batteridrevet assistanse.

## Støy

Typisk A-vektet lydtryknivå er bestemt i henhold til EN62841-1:

Lydtryknivå ( $L_{pA}$ ) : 70 dB (A) eller mindre  
Usikkerhet (K): 3 dB (A)

Støynivået under arbeid kan overskride 80 dB (A).

**MERK:** Den/de oppgitte verdien(e) for genererte vibrasjoner har blitt målt i henhold til standard testmetoder, og kan bli brukt til å sammenligne ett verktøy med et annet.

**MERK:** Den/de angitte verdien(e) for de genererte vibrasjonene kan også brukes til en foreløpig vurdering av eksponeringen.

**⚠ ADVARSEL:** Bruk hørselsvern.

**⚠ ADVARSEL:** De genererte vibrasjonene ved faktisk bruk av elektroverktøyet kan avvike fra den/de angitte vibrasjonsverdien(e), avhengig av hvordan verktøyet brukes.

**⚠ ADVARSEL:** Sørg for å identifisere vernetiltak for å beskytte operatøren, som er basert på et estimat av eksponeringen under de faktiske bruksforholdene (idet det tas hensyn til alle deler av driftssyklusen, dvs. hvor lenge verktøyet er slått av, hvor lenge det går på tomgang og hvor lenge startbryteren faktisk holdes trykket).

## Vibrasjoner

Den totale vibrasjonsverdien (triaksial vektorsum) bestemt i henhold EN62841-1:

Arbeidsmodus: drift uten belastning  
Genererte vibrasjoner ( $a_n$ ) : 2,5 m/s<sup>2</sup> eller mindre  
Usikkerhet (K): 1,5 m/s<sup>2</sup>

**MERK:** Den/de oppgitte verdien(e) for totalt genererte vibrasjoner har blitt målt i henhold til standard testmetoder, og kan bli brukt til å sammenligne ett verktøy med et annet.

**MERK:** Den/de angitte verdien(e) for totalt genererte vibrasjoner kan også brukes til en foreløpig vurdering av eksponeringen.

**⚠ ADVARSEL:** De genererte vibrasjonene ved faktisk bruk av elektroverktøyet kan avvike fra den/de angitte vibrasjonsverdien(e), avhengig av hvordan verktøyet brukes og spesielt i forhold til arbeidsstykket som blir behandlet.

**⚠ ADVARSEL:** Sørg for å identifisere vernetiltak for å beskytte operatøren, som er basert på et estimat av eksponeringen under de faktiske bruksforholdene (idet det tas hensyn til alle deler av driftssyklusen, dvs. hvor lenge verktøyet er slått av, hvor lenge det går på tomgang og hvor lenge startbryteren faktisk holdes trykket).

## EFs samsvarserklæring

*Gjelder kun for land i Europa*

EFs samsvarserklæring er lagt til som vedlegg A i denne bruksanvisningen.

## SIKKERHETSADVARSEL

### Generelle advarsler angående sikkerhet for elektroverktøy

**⚠ ADVARSEL:** Les alle sikkerhetsadvarsler, instruksjoner, illustrasjoner og spesifikasjoner som følger med dette elektroverktøyet. Hvis ikke alle instruksjonene nedenfor følges, kan det forekomme elektrisk støt, brann og/eller alvorlig skade.

### Oppbevar alle advarsler og instruksjoner for senere bruk.

Uttrykket «elektrisk verktøy» i advarslene refererer både til elektriske verktøy (med ledning) tilkoblet strømmettet, og batteridrevne verktøy (uten ledning).

### Sikkerhetsadvarsler for batteridrevet trillebår

1. **Bruk alltid sklisikkert vernestøvler når du bruker maskinen.** Sklisikre vernestøvler og -sko med lukket tå reduserer faren for skade.
2. **Undersøk gangveien før du transporterer gjenstander/materialer.** Hvis du gjør deg kjent med gangveien og forsikrer deg om at den er bred nok at du kan styre maskinen med last, er det mindre fare for at du mister kontrollen over maskinen.

3. **Vær veldig forsiktig i glatt, løst og ustabil terreng.** Våt og glatt underlag, som våte gressflater, snø eller is, og løst og ustabil terreng, som sand- eller grusunderlag, kan føre til at maskinen mister trekraften, og kan ha negativ innvirkning på styring, bremsing og stabilitet.
  4. **Ikke bruk maskinen i svært bratte bakker.** Da reduserer du faren for å miste kontrollen, skli eller falle, noe som kan føre til personskade. Bakker som er brattere enn den maksimalt anbefalte helningen og sidehelningen, kan øke faren for ustabilitet, og kan ha negativ innvirkning på evnen til å stanse på en sikker måte.
  5. **Når du jobber i bakker, må du alltid ha godt fotfeste, alltid jobbe på tvers av bakken, aldri opp eller ned, og utvise ekstremt forsiktig når du endrer retning.** Da reduserer du faren for å miste kontrollen, skli eller falle, noe som kan føre til personskade.
  6. **Så sant det er mulig, bruker du flate områder når du skal stanse, laste og losse, og du må aldri forlate maskinen uten tilsyn i en bakke.** Maskinen er mer ustabil når den står i en bakke enn når den står på flatt underlag.
  7. **Når du stanser i bakker, vender du maskinen oppover eller nedover i bakken og blokkerer hjul uten brems.** Maskinen er mindre stabil når den står på tvers i en bakke. Hjul uten brems, særlig svingbare hjul, kan dreie og begynne å trille ned bakken selv om fremhjulets parkeringsbrems er satt på.
  8. **Når du forlater maskinen uten tilsyn, må du sette på parkeringsbremsen når maskinen er plassert på et sted hvor det er trygt å stanse.** Parkeringsbremsen forhindrer at fremhjulet beveger seg utilsiktet, og kan forbedre stabiliteten.
  9. **Kontroller at ramper er rene, sterke og sikre.** Hvis du ønsker å redusere faren for skade, må du sørge for at alle ramper er frie for løse gjenstander og sterke nok til å tåle vekten av forventet last som vil bli fraktet over dem. De må ha tilstrekkelig blokkering på undersiden og til begge sider til å unngå bøyning og bevegelse fra side til side under last. Alle ramper må være brede nok til at du har godt fotfeste når du transporterer last over dem.
  10. **Kontroller at selvlosseren er nede og at selvlossere og tømmelemmer er festet med klinke når lasten ikke skal losses og maskinen står til oppbevaring.** Selvlossere eller tømmelemmer som ikke er festet med klinke kan plutselig åpnes eller flytte på seg.
  11. **Unngå å forlenge ramper med stigbrett eller rekkverk over åpne områder.** Forhøyede åpne områder og åpne grøfter innbyr til fallulykker, og øker muligheten for alvorlig skade. Bruk stigbrett eller rekkverk på ramper over åpne områder slik at du forhindrer at maskinen kjører av rampen.
  12. **Kontroller at alle låseskruer er strammet godt til før bruk.** Låseskruer på bakhjulene og lasteplan med åpen front og sidevegger må sikres for å forhindre uønsket bevegelse av disse justerbare delene på maskinen.
  13. **Du må aldri bruke maskinen med for mye last.** Kontroller at maskinen har riktig kapasitet for gjenstandene eller materialene som skal transporteres. For mye last vil gjøre maskinen vanskeligere å manøvrere og stanse, vil forlenge tiden og avstanden det tar å stanse, og vil øke faren for ustabilitet.
  14. **Du må aldri bruke maskinen med for høyt stablet last.** Hvis du stabler materiale over kanten på planet eller over sidene på planet, kan det føre til at maskinen blir ute av balanse og umulig å styre.
  15. **Sikre lasten med beholdere og stropper.** Det er større sannsynlighet for at løs og/eller usikret last vil flytte på seg og føre til manglende stabilitet og kontroll.
  16. **Ha alltid et godt tak i håndtakene.** Hvis du mister kontrollen, øker det faren for personskade.
  17. **Fjern sikkerhetsnøkkelen når den ikke er i bruk.** Sikkerhetsnøkkelen forhindrer uønsket, motordrevet bruk av maskinen, som av barn eller andre uerfarne eller uautoriserte personer. Elektrisk kraft kan ikke slås "på" uten nøkkelen.
  18. **Denne maskinen kan ikke brukes på offentlige veier.** Bruk av trillebåren på offentlig vei er ulovlig, og kan føre til straff i henhold til lokal lov samt personskader.
  19. **Bruk en robust plate med anti-sklifunksjon og sperring mot frakobling når du laster på og/eller av denne maskinen for transport, eller når du flytter denne maskinen mellom forskjellige nivåer.** Pass på at platehellingen ikke overskrider 12°, og betjen maskinen langsomt og forsiktig. Ustabil og rask betjening kan føre til at den velter og/eller faller.
  20. **Ikke demonter, reparer eller modifier denne maskinen.**
- Bruk**
1. Når du bruker maskinen, må du stå bak maskinen og holde godt fast i håndtakene.
  2. Du må ikke sitte på maskinen og styre den.
  3. Ikke la andre sitte på maskinen når den er i bruk.
  4. Når du bruker maskinen i revers og mens du går bakover, må du se bak deg og passe på at du ikke sklir eller snubler.
  5. Ikke bruk maskinen i dårlig sikt, da det kan føre til fare for å kjøre på hindringer.
  6. Når du bruker maskinen på ujevnt underlag, må du redusere hastigheten og være forsiktig.
  7. Når du bruker maskinen, må du unngå bløtt underlag som kan føre til at maskinen velter som følge av et veiskulderen bryter sammen.
  8. Ikke bruk maskinen i oppoverbakker som er brattere enn 12°.
  9. Hvis du oppdager at noe er unormalt, stanser du maskinen på flatt underlag. Før du undersøker maskinen må du trekke til bremsespaken og låse bremsen, og deretter slår du av strømmen.
  10. Før du bruker maskinen må du kontrollere at sperrehendelen er trukket helt ned og fullstendig låst. Hvis den ikke er fullstendig låst, er det fare for uhell eller skade, ettersom lasteplanet eller skålen kan vippe og gjenstandene falle ut i nedoverbakke.
  11. Pass på at ledningene ikke vikler seg inn i lasten eller hindringer.
- Bruk i bakker**
1. Ikke gå på tvers av bakker.
  2. Pass på å redusere hastigheten og være forsiktig.
  3. Vær forsiktig når du starter eller stanser maskinen i bakker.
  4. Ettersom last blir mindre stabil i bakker, må lasten sikres godt med tau.

5. Ettersom maskinen blir mindre stabil avhengig av veiforholdene, bør lasten begrenses til et minimum.
6. Ettersom sikten er begrenset i bakker, skal lastens høyde begrenses til et minimum.
7. Maskinen må aldri parkeres i bratte bakker. Parker maskinen på flatt underlag, trekk til bremsespaken og lås bremsen, og deretter slår du av strømmen.
8. Ikke endre retning eller hastighetsmodus i bratte bakker.
9. Ikke slipp startbryteren i oppoverbakker. Maskinen kan gå i revers og forårsake et uhell.
10. Kontroller at den gjenværende batterikapasiteten er tilstrekkelig før du bruker maskinen i bakker. Hvis den gjenværende batterikapasiteten ikke er tilstrekkelig, må du lade batteriet etter erstatte det med et ladet batteri.

#### Laste gjenstander

1. Ikke last for mange gjenstander. Når du laster gjenstander, må du passe på å følge instruksjonene og lastgrensene i veiledningen.
2. Fest gjenstandene godt med tau.
3. Last gjenstandene innenfor lastepanet eller skålen. Hvis gjenstander stikker ut fra lastepanet eller skålen, er det fare for uhell som følge av at gjenstander faller ut eller kommer i kontakt med hindringer, som vegger.
4. Kontroller at lastede gjenstander er under øyehøyde. Hvis lasten er for høy, er det farlig fordi sikten hindres. Det er dessuten fare for å velte og derved skade fordi lasten sannsynligvis vil komme i ubalanse.
5. Last gjenstandene jevnt fordelt på lastepanet eller skålen. Hvis gjenstandene lastes ujevnt, er det fare for å velte og derved skade fordi lasten sannsynligvis vil komme i ubalanse.
6. Før du laster gjenstandene og bruker maskinen må du kontrollere at spærrehendelen er trukket helt ned og fullstendig låst.
7. Last tunge gjenstander først for å opprettholde balansen.
8. Ikke forleng front- og siderekkerverkene i bratte bakker. Forleng siderekkerverkene når lette gjenstander er lastet.
9. Når du forlenger front- og siderekkerverkene, må du ikke forlenge dem over forlengelsesgrensen. Pass på at du forlenger siderekkerverkene slik at høyre og venstre side er like lange, og last gjenstander jevnt fordelt.
10. Gjenstander må lastes og losses på flatt underlag.
11. Når du løfter og vipper lastepanet eller skålen, må du holde et godt tak i håndtaket og rammen samt jobbe med en stabil kroppsholdning.

#### Vedlikehold

1. Du må alltid parkere maskinen på flatt underlag og låse bremsespaken før oppbevaring eller før du utfører undersøkelser eller vedlikehold.

## TA VARE PÅ DISSE INSTRUKSENE.

**⚠ ADVARSEL:** IKKE LA hensynet til hva som er "behagelig" eller det faktum at du kjenner produktet godt (etter mange gangers bruk) gjøre deg mindre oppmerksom på sikkerhetsreglene for bruken av det aktuelle produktet. Ved MISBRUK eller hvis ikke sikkerhetsreglene i denne bruksanvisningen følges, kan det oppstå alvorlig personskade.

### Viktige sikkerhetsanvisninger for batteriinnsetts

1. Før du begynner å bruke batteriet, må du lese alle anvisninger og forsiktighetsregler på (1) batteriladere, (2) batteriet og (3) det produktet batteriet skal brukes i.
2. Ikke demonter eller tukle batteriet. Det kan føre til brann, overoppheting eller eksplosjon.
3. Hvis driftstiden er blitt vesentlig kortere, må du omgående slutte å bruke maskinen. Hvis ikke kan resultatet bli overoppheting, mulige forbrenninger eller til og med en eksplosjon.
4. Hvis du får elektrolytt i øynene, må du skylle dem med store mengder rennende vann og oppsøke lege med én gang. Denne typen uhell kan føre til varig blindhet.
5. Ikke kortslett batteriet:
  - (1) De kan være ekstremt varme og du kan brenne deg.
  - (2) Ikke lagre batteriet i samme beholder som andre metallgjenstander, som for eksempel spiker, mynter osv.
  - (3) Ikke la batteriet komme i kontakt med vann eller regn.

En kortslutning av batteriet kan føre til et kraftig strømstøt, overoppheting, mulige forbrenninger og til og med til at batteriet går i stykker.

6. Ikke oppbevar og bruk verktøyet og batteriet på steder hvor temperaturen kan komme opp i eller overskride 50 °C.
7. Ikke sett fyr på batteriet, ikke engang om det er sterkt skadet eller helt utslitt. Batteriet kan eksplodere hvis det begynner å brenne.
8. Du må ikke spikre, skjære, klemme, kaste eller miste batteriet, og heller ikke slå en hard gjenstand mot batteriet. En slik oppførsel kan føre til brann, overoppheting eller eksplosjon.
9. Ikke bruk batterier som er skadet.
10. Lithium-ion-batteri som medfølger er gjenstand for krav om spesialavfall. For kommersiell transport, f.eks av tredjeparter eller speditorer, må spesielle krav om pakking og merking følges. Før varen blir sendt, må du forhøre deg med en ekspert på farlig materiale. Ta også hensyn til muligheten for mer detaljerte nasjonale bestemmelser. Bruk teip eller maskeringsteip for å skjule åpne kontakter og pakk inn batteriet på en slik måte at den ikke kan bevege seg rundt i emballasjen.
11. Når du kasserer batteriinnsettsen, må du ta den ut av verktøyet og avhende den på et sikkert sted. Følg lokale bestemmelser for avhending av batterier.

12. **Bruk batteriene kun med produkter spesifisert av Makita.** Montere batteriene i produkter som ikke er konforme kan føre til brann, overheting eller elektrolyttlekkasje.
13. **Hvis verktøyet ikke skal brukes over en lengre periode, må batteriet tas ut av verktøyet.**
14. **Under og etter bruk kan batteriet bli varmt og før til brannskader. Vær forsiktig med håndteringen av varme batterier.**
15. **Ikke berører terminalen på verktøyet rett etter bruk, da den kan bli varm og forårsake brannskader.**
16. **Ikke la spon, støv eller jord sette seg fast i terminalene, hullene og sporene i batteriet.** Det kan føre til dårlig ytelse eller at verktøyet eller batteriet slutter å fungere.
17. **Med mindre verktøyet støtter bruk nær en høyspent strømlinje, skal ikke batteriet brukes nær en høyspent strømlinje.** Det kan føre til en funksjonsfeil eller at verktøyet eller batteriet slutter å fungere.
18. **Oppbevar batteriet utilgjengelig for barn.**

## TA VARE PÅ DISSE INSTRUKSENE.

**⚠FORSIKTIG:** Bruk kun originale Makita-batterier. Bruk av batterier som har endret seg, eller som ikke er originale Makita-batterier, kan føre til at batteriet sprekker og forårsaker brann, personskader og andre skader. Det vil også ugyldiggjøre garantien for Makita-verktøyet og -laderen.

## Tips for å opprettholde maksimal batterilevetid

1. **Lad batteriinnsetsen før den er helt utladet. Stopp alltid driften av verktøyet og lad batteriinnsetsen når du merker at effekten reduseres.**
2. **Lad aldri en batteriinnsetsen som er fulladet. Overopplading forkorter batteriets levetid.**
3. **Lad batteriet i romtemperatur ved 10 °C - 40 °C. Et varmt batteri må kjøles ned før lading.**
4. **Når batteriet ikke er bruk, skal det tas ut av verktøyet eller laderen.**
5. **Lad batteriet hvis det ikke har vært brukt på en lang stund (over seks måneder).**

## DELEBESKRIVELSE

### Delebeskrivelse (når lasteplanet er montert)

► Fig.9

1	Kontrollpanel	2	Håndtak
3	Startbryter	4	Batterikasse
5	Bremsepedal for fremhjul	6	Bakhjul
7	Bremsepedal for bakhjul	8	Lampe
9	Fremhjul	10	Lasteplan

### Delebeskrivelse (når skålen er montert)

► Fig.2

1	Kontrollpanel	2	Håndtak
3	Startbryter	4	Batterikasse
5	Bremsepedal for fremhjul	6	Bakhjul
7	Bremsepedal for bakhjul	8	Lampe
9	Fremhjul	10	Skål

## MONTERING

**⚠FORSIKTIG:** Forviss deg alltid om at maskinen er slått av og batteriet tatt ut før du utfører noe arbeid på maskinen.

### Sette sammen hovedenhet

1. Ta baseenheten og håndtakene ut av esken.

► Fig.3

**OBS:** Pass på at du tar ut baseenheten og håndtakene sammen, slik at ledningene ikke blir påført overdrevet kraft.

2. Plasser emballasjen under baksiden av baseenheten.

► Fig.4: 1. Emballasje

3. Før bakhjulene inn i rammen.

► Fig.5: 1. Bakhjul

► Fig.6: 1. Bakhjul

**MERK:** Støttebenene skal festes i stedet for bakhjulene.

4. Fest fjærskiven og skiven til den korte sekskantboltene, og deretter strammer du dem med skrunøkkelen som følger med i pakken.

► Fig.7: 1. Kort sekskantbolt 2. Fjærskive 3. Skive

► Fig.8

**OBS:** De korte sekskantboltene brukes til å stramme bakhjulene.

**OBS:** Fest bakhjulene i samme stilling på begge sider.

5. Hev håndtakene, og før dem deretter inn i baseenheten.

► Fig.9

**OBS:** Ikke slipp ledningene inn i område "A" i figuren. Lange gjenstander kan vikle seg inn i ledningene og føre til uhell.

**OBS:** Ikke påfør overdreven kraft på ledningene når du hever og fører inn håndtakene.

**OBS:** Bruk begge hender når du skal heve håndtakene.

6. Åpen lasteplanrammen mot forsiden.

► **Fig.10:** 1. Lasteplanramme

7. Fold ut håndtakene, og før deretter de lange sekskantboltene inn i baseenheten. Deretter strammer du mutrene med skrunøkkelen som følger med i pakken.

► **Fig.11:** 1. Lang sekskantbolt

8. Stram skulderboltene fra baksiden med skrunøkkelen som følger med i pakken.

► **Fig.12:** 1. Skulderbolt

9. Stram de korte sekskantboltene fra begge sider med skrunøkkelen som følger med i pakken for å feste håndtakene.

► **Fig.13:** 1. Kort sekskantbolt

**OBS: Ikke stram de korte sekskantboltene for hardt.** Stram dem med riktig kraft slik at håndtakene festes stabilt.

**OBS: Ikke klem ledningene med boltene.**

10. Fest ledningene med klemmene.

► **Fig.14:** 1. Klemme

11. Fold sammen lasteplanrammen.

► **Fig.15:** 1. Lasteplanramme

12. Trykk på sperreknappen mens du trekker i bremsespaken for å låse bremsen.

► **Fig.16:** 1. Sperreknapp 2. Bremsespak

**⚠FORSIKTIG: Hvis bakhjulene er montert, trykker du på bremsepedalen for bakhjulet for å låse bakhjulet.**

13. Hekt på lasteplansperren, og trekk deretter sperrehendelen ned for å låse lasteplanet.

► **Fig.17:** 1. Lasteplansperre 2. Sperrehendel

**OBS: Kontroller at sperrehendelen godt festet.**

**OBS: Ikke klem ledningene med sperrehendelen.**

**MERK: Hvis du fester på støttebenene i stedet for bakhjulene, fjerner du bakhjulene fra rammene, og deretter fester du støttebenene til rammene.**

► **Fig.18:** 1. Bakhjul 2. Støtteben

## Sette sammen og montere lasteplan

### Valgfritt tilbehør

1. Ta lasteplanet ut av esken, fest siderekkerkverkene til baserammen, og stram deretter fingermutrene for å feste rekkverkene.

► **Fig.19:** 1. Fingermutter

2. Plasser lasteplanet på baseenheten, og før deretter sekskantboltene og skivene inn i rammene fra oversiden. Stram skivene, fjærskivene og vingemutrene fra undersiden for å feste lasteplanet.

► **Fig.20:** 1. Lang sekskantbolt 2. Kort sekskantbolt 3. Skive 4. Fjærskive 5. Vingemutter

**OBS: Bruk de lange mutrene for fronten og de korte boltene for baksiden.**

## Montere skål

### Valgfritt tilbehør

Plasser skålen på baseenheten, før sekskantboltene inn i rammene, og deretter strammer du skivene, fjærskivene og vingemutrene fra undersiden for å feste skålen.

► **Fig.21:** 1. Sekskantbolt 2. Skive 3. Fjærskive 4. Vingemutter

## FUNKSJONSBEKRIVELSE

### Sette inn eller ta ut batteri

**⚠FORSIKTIG: Slå alltid av maskinen før du setter inn eller fjerner batteriet.**

**⚠FORSIKTIG: Sørg for at du lukker batterilokket før bruk.** Ellers kan søle, skitt eller vann påføre skader på produktet eller batteripatronen.

**⚠FORSIKTIG: Batteriet må alltid settes helt inn, så langt at den røde indikatoren ikke lenger er synlig.** Hvis dette ikke gjøres, kan batteriet falle ut av maskinen og skade deg eller andre som oppholder seg i nærheten.

**⚠FORSIKTIG: Ikke bruk makt når du setter i batteriet.** Hvis batteriet ikke glir lett inn, er det fordi det ikke settes inn på riktig måte.

**⚠FORSIKTIG: Ikke bruk høytemperaturbatterier.** Hvis du bruker høytemperaturbatterier, stanser maskinen automatisk før en kort pipetone avgis, og kan føre til skade.

### Sett inn batteriet

1. Roter sperrehendelen, og deretter åpner du dekslet på batterikassen.

► **Fig.22:** 1. Sperrehendel 2. Deksel

2. Rett inn batterituppen mot hakket på batterikassen, og skyv inn batteriet til det låses på plass med et lite klikk. Hvis du kan se den røde indikatoren på oversiden av knappen, er ikke batteriet fullstendig låst.

► **Fig.23:** 1. Batteriinnsats

3. Sett inn låsenøkkelen på stedet vist på figuren, så langt den vil gå.

► **Fig.24:** 1. Låsenøkkel

**MERK: Hvis låsenøkkelen ikke er ført helt inn, fungerer ikke maskinen.**

4. Lukk batterikassens deksel, og roter deretter sperrehendelen.

► **Fig.25:** 1. Sperrehendel 2. Deksel

### Fjerne batteriet

1. Roter sperrehendelen, og deretter åpner du dekslet på batterikassen.

2. Trekk batteriet ut av batterikassen mens du skyver på knappen foran på batteriet.

► **Fig.26:** 1. Knapp

3. Trekk ut låsenøkkelen.

4. Lukk batterikassens deksel, og roter deretter sperrehendelen.

## Vernesystem for maskin/batteri

Maskinen er utstyrt med et vernesystem for maskin/batteri. Dette systemet slår automatisk av strømmen til motoren for å forlenge maskinens og batteriets levetid. Maskinen stanser automatisk under drift hvis maskinen eller batteriet utsettes for én av følgende tilstander. En kort pipetone avgis før maskinen stanser automatisk. Batteriindikatorene og LED-lampene blinker samtidig som pipetonen avgis.

### Overlastsikring

Når maskinen brukes på en måte som gjør at den bruker unormalt mye strøm, vil maskinen stanse automatisk uten noen form for indikasjon. I en slik situasjon slår du av maskinen og fjerner årsaken til overbelastningen, og deretter slår du maskinen på igjen for å starte på nytt.

### Overopphetingsvern

Når maskinen blir overopphetet, stanser maskinen automatisk. La maskinen kjøle seg ned før du slår på maskinen igjen. Overopphetingsvernet vil sannsynligvis fungerer under høye temperaturer.

### Overutladningsvern

Når batterikapasiteten blir lav, stanser maskinen automatisk. Hvis maskinen ikke fungerer selv om bryterne aktiveres, må du ta ut batteriet og lade det.

## Bytte batteriet

► **Fig.27:** 1. Bryter for batterivalg

Opptil to batterier kan monteres i batterikassen, men maskinen bruke kun ett batteri under drift. Før du bruker maskinen, velger du ønsket batteri for drift ved å trykke på tallet på bryteren for batterivalg.







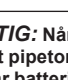
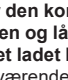
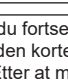
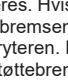
**OBS:** Hvis det kun er montert ett batteri i batterikassen, må du velge batterikassen der batteriet er installert.

## Angi den gjenværende batterikapasiteten på batterikassen

**⚠FORSIKTIG:** Du må stanse maskinen før du kontrollerer gjenværende batterikapasitet eller bytter batteri.

► **Fig.28:** 1. Batteriindikator 2. Kontrollknapp

Trykk på kontrollknappen for vise den gjenværende batterinivået. Batteriindikatorene korresponderer til hvert batteri.

Batteriindikatorstatus		Gjenværende batterikapasitet
 På	 Av	
		50 % - 100 %
		20 % - 50 %
		0% - 20%
		Det står ikke batteri i

**⚠FORSIKTIG:** Når batterikapasiteten blir lav, avgis en kort pipetone. Hvis du fortsetter å bruke maskinen når batterikapasiteten er lav, avgis en lang pipetone, og maskinen stanser automatisk. Når du hører den korte pipetonen, trekker du i bremsespaken og låser bremsen, og deretter bytter du til et ladet batteri eller lader batteriet. Når den gjenværende batterikapasiteten er brukt opp, stanser maskinen brått, og det kan føre til skade.

**MERK:** Hvis du fortsetter å trekke i startbryteren selv om du hører den korte pipetonen, vil maskinen stanse automatisk. Etter at maskinen har stanset automatisk, fortsetter pipetonen, og støttebremsen (elektrisk brems) aktiveres. Hvis du vil slå av pipetonen og frigjøre støttebremsen, trekker du i bremsespaken og slipper startbryteren. Ikke skyv maskinen med makt ut å frigjøre støttebremsen. Når du har frigjort støttebremsen, kan du se hvilket vernesystem for batteriet som virker ved å kontrollere batteriindikatorstatusen.

► **Fig.29:** 1. Tent 2. Blinker 3. Avslått  
4. Overopphetingsvern  
5. Overutladningsvern 6. Overlastvern

**⚠FORSIKTIG:** Hvis pipetonen avgis under bruk i bakker, eller hvis maskinen stanser automatisk i bakker, flytter du maskinen til et trygt sted, låser bremsen og bytter til et ladet batteri eller lader batteriet.

Hvis maskinen har mye last og pipetonen avgis under bruk i bakker, eller maskinen stanser automatisk i bakker, må du ikke flytte maskinen med makt. Lås bremsen, vær forsiktig, og bytt batteri til et ladet batteri, og flytt deretter maskinen til et trygt sted. Reduser lasten før du bruker maskinen igjen.

**MERK:** Du kan kontrollere gjenværende batterikapasitet selv om låsenøkkel ikke er satt i.

## Indikere gjenværende batterikapasitet

### Kun for batterier med indikatoren

► **Fig.30:** 1. Indikatorlamper 2. Kontrollknapp

Trykk på sjekk-knappen på batteriet for vise gjenværende batterikapasitet. Indikatorlampene lyser i et par sekunder.

Indikatorlamper			Gjenværende batterinivå
Tent	Av	Blinker	
			75 % til 100 %
			50 % til 75 %
			25 % til 50 %
			0 % til 25 %
			Lad batteriet.
			Batteriet kan ha en feil.

**MERK:** Det angitte nivået kan avvike noe fra den faktiske kapasiteten alt etter bruksforholdene og den omgivende temperaturen.

**MERK:** Den første (helt til venstre) indikatorlampen vil blinke når batterivernsystemet fungerer.

## Kontrollpanel

► **Fig.31:** 1. Strømknapp 2. Fremover-/reversknapp 3. Hastighetsknapp

Trykk på strømknappen i noen sekunder for å slå på strømmen. Trykk på fremover-/reversknappen for å veksle mellom fremovermodus og reversmodus. Trykk på hastighetsknappen for å veksle mellom lav hastighet og høy hastighet. Fremovermodus og lav hastighet er stilt inn når du slår på strømmen. Trykk på strømknappen i noen sekunder for å slå av strømmen.

**MERK:** Fremover-/reversknappen er ikke tilgjengelig når du trekker i startbryteren.

**MERK:** En kort pipetone lyder når maskinen brukes i revers.

**MERK:** Hastighetsknappen er ikke tilgjengelig når maskinen brukes i revers.

## Bruke bryter og brems

**⚠ ADVARSEL:** Før du setter batteriet inn i maskinen, må du alltid kontrollere om startbryteren aktiverer maskinen på riktig måte og går tilbake til "AV"-stilling når den slippes.

Trekk i startbryteren for å starte maskinen. Maskinen stanses ved å slippe startbryteren og trekke i bremsespaken. Bremsespaken låses ved å trykke på sperreknappen samtidig som du trekker i bremsespaken. Trekk i bremsespaken for å frigjøre sperren.

► **Fig.32:** 1. Startbryter

► **Fig.33:** 1. Sperreknapp 2. Bremsespak

## Brems for bakhjul

Bakhjulene er utstyrt med bremses. Trykk bremsepedalene mot forsiden for å låse bremsene. Frigjør bremsepedalene ved å trykke bremsepedalene mot baksiden.

► **Fig.34:** 1. Pedal

## Tenne frontlampene

Trykk på lampeknappen på batterikassen for å tenne lampene. Slå av lampene ved å trykke på lampeknappen en gang til.

► **Fig.35:** 1. Lampeknapp 2. Lampe

**MERK:** Lampene slår seg av hvis maskinen står uten tilsyn i ca. 10 minutter.

**MERK:** Lampene slår seg av når strømmen slås av.

**MERK:** Du kan tenne lampene selv om låsenøkkelen ikke er satt i.

## Justere håndtakhøyden

Fjern de korte sekskantboltene og skulderboltene med skrunøkkel som følger med i pakken, og deretter justerer du håndtakhøyden. Høyden kan justeres i tre nivåer. Stram skulderboltene og de korte sekskantboltene for å feste håndtaket.

► **Fig.36:** 1. Kort sekskantbolt 2. Skulderbolt

**OBS:** Fest venstre og høyre håndtak i samme høyde.

**OBS:** Ikke stram de korte sekskantboltene for hardt. Stram dem med riktig kraft slik at håndtakene festes stabilt.

**OBS:** Ikke klem ledningene med boltene.

## Justere lasteplanetets bredde

Løsne de fire fingermutrene, og skyv deretter siderekkerkene på plass. Stram fingermutrene for å feste siderekkerkene.

► **Fig.37:** 1. Fingermutter 2. Rekkverk

**⚠ FORSIKTIG:** Ikke skyv rekkverkene lengre enn grensemerket.

► **Fig.38**

## BRUK

### Bruke maskinen

**OBS:** På denne maskinen drives fremhjulet av batteristrøm. Bruk denne maskinen for å bidra til bæring.

**OBS:** Pass på å sette låsenøkkelen inn i batterikassen før bruk. Hvis låsenøkkelen ikke er satt i, avgis en kort pipetone når du trekker i startbryteren. Pipetonen stanses ved å slippe startbryteren og trekke i bremsespaken.

Før du bruker maskinen, må du kontrollere at bremsespaken fungerer som den skal.

► **Fig.39:** 1. Bremsespak



**⚠ ADVARSEL:** Hvis bremsespaken når håndtaket når du trekker hendelen helt til, fungerer bremsen ikke som den skal. Juster bremsen, eller be nærmeste Makita-serviceverksted om å reparere den.

1. Velg batteriet med bryteren for batterivalg.
2. Trykk på strømknappen på kontrollknappen i noen sekunder for å slå på strømmen.  
▶ Fig.40: 1. Strømknapp
3. Trekk i bremsespaken for å frigjøre bremsespakens sperre.  
▶ Fig.41: 1. Sperreknapp 2. Bremsespak

**MERK:** Frigjør bremsen for bakhjul hvis bakhjulene er montert.

4. Hold godt fast i håndtakene med begge hender.  
▶ Fig.42
5. Trekk i startbryteren.  
▶ Fig.43: 1. Startbryter

## Laste gjenstander

**⚠ FORSIKTIG:** Før du laster gjenstander på maskinen, må du kontrollere at strømmen er slått av og at bremsespaken er låst.

**⚠ FORSIKTIG:** Hvis bakhjulene er montert, må du kontrollere at bremsen for bakhjul er låst før du laster gjenstander på maskinen.

**⚠ FORSIKTIG:** Før du laster gjenstander på maskinen, må du kontrollere at lasteplanet eller skålen er låst.

**⚠ FORSIKTIG:** Sørg for å laste gjenstander innenfor lasteplanet eller skålen. Hvis gjenstander stikker ut fra lasteplanet eller skålen, kan de falle ut eller falle sammen hvis de kommer borti hindringer.

▶ Fig.44

**⚠ FORSIKTIG:** Sørg for å laste gjenstander slik at de er under øyehøyde. Hvis lasten er for høy, er det farlig fordi sikten hindres. Det er dessuten fare for å velte og derved skade fordi lasten sannsynligvis vil komme i ubalanse.

▶ Fig.45

Når du laster gjenstander på lasteplanet, må du sikre gjenstandene med tau og feste dem til taukrokene.

▶ Fig.46

## Losse gjenstander

**⚠ FORSIKTIG:** Løft lasteplanet eller skålen på flatt og stabilt underlag. Bruk på ustabilt underlag kan føre til uhell eller skade.

Du kan losse gjenstandene ved å løfte og vippe lasteplanet eller skålen.

1. Stans maskinen, og deretter låser du bremsene.

**OBS:** Det anbefales å blokkere fremhjulet for å stabilisere maskinen.

2. Frigjør sperrehendelen.

3. Stå på siden av maskinen, hold i håndtaket med den ene hånden, og deretter løfter og vipper du lasteplanet eller skålen ved å skyve opp lasteplanrammen med den andre hånden.

▶ Fig.47

**⚠ FORSIKTIG:** Hold godt fast i håndtaket og lasteplanrammen, og jobb med en stabil kroppsholdning.

**⚠ FORSIKTIG:** Hold lasten på et minimum. Hvis lasten er stor, må du ikke prøve å løfte lasteplanet. Reduser lasten, og deretter løfter du lasteplanet.

**⚠ FORSIKTIG:** Etter at du har losset gjenstandene, må du sørge for å låse lasteplanet eller skålen.

## VEDLIKEHOLD

**⚠ FORSIKTIG:** Du må alltid parkere maskinen på flatt underlag og låse bremsespaken før oppbevaring eller før du utfører undersøkelser eller vedlikehold.

**⚠ FORSIKTIG:** Hvis bakhjulene er montert, må du kontrollere at bremsen for bakhjul er låst før oppbevaring, undersøkelser eller vedlikehold.

**⚠ FORSIKTIG:** Sørg alltid for at låsenøkkel og batteriet er tatt ut av maskinen før oppbevaring, undersøkelser eller vedlikehold.

**⚠ FORSIKTIG:** Du må alltid ta ut låsenøkkel når maskinen ikke er i bruk. Oppbevar låsenøkkel på et trygt sted, utilgjengelig for barn.

## Periodiske kontroller

- Kontroller at boltene og mutrene er strammet godt.  
▶ Fig.48
- Kontroller at lasteplanet er låst når sperrehendelen er trukket helt ned.  
▶ Fig.49: 1. Lasteplansperre 2. Sperrehendel
- Kontroller at bremsespaken fungerer som den skal.  
▶ Fig.50: 1. Bremsespak

**⚠ ADVARSEL:** Hvis bremsespaken når håndtaket når du trekker hendelen helt til, fungerer bremsen ikke som den skal. Juster bremsen, eller be nærmeste Makita-serviceverksted om å reparere den.

- Kontroller at fremhjulet ikke er ødelagt eller flatt. Kontroller at det er tilstrekkelig luft i fremhjulets dekk.

## Rengjøre maskinen

**OBS:** Aldri bruk gasolin, bensin, tynner alkohol eller lignende. Det kan føre til misfarging, deformering eller sprekkdannelse.

**OBS:** Tøm vannet under lasteplanet eller skålen når du rengjør maskinen med rennende vann. Ikke bruk høytrykkspyleren til rengjøring.

Fjern søle, smuss og lignende fra maskinen. Rengjør maskinen med rennende vann. Tørk av maskinen med en tørr klut etter rengjøring.

## Oppbevaring

Ta ut låsenøkkelen. Oppbevar maskinen på et trygt sted som er utilgjengelig for barn.

Når du oppbevarer maskinen, kan håndtakene vendes mot forsiden. Fjern de korte sekskantboltene og skulderboltene med skrunøkkelen som følger med i pakken. Drei håndtakene mot utsiden, og deretter roterer du håndtakene mot forsiden. Stram skulderboltene og de korte sekskantboltene for å feste håndtakene.

► **Fig.51:** 1. Skulderbolt 2. Kort sekskantbolt

**OBS:** Ikke stram de korte sekskantboltene for hardt. Stram dem med riktig kraft slik at håndtakene festes stabilt.

**OBS:** Ikke klem ledningene med boltene.

## Justere bremsen

**⚠FORSIKTIG:** Hvis bakhjulene er montert, må du låse bremsen for bakhjul før du justerer bremsen.

1. Fjern lasteplanet eller skålen, og deretter åpner du lasteplanrammen.

► **Fig.52:** 1. Lasteplanramme

2. Trekk i bremsespaken for å frigjøre bremsespakens sperreknapp.

► **Fig.53:** 1. Sperreknapp 2. Bremsespak

3. Løsne justeringshylsen og festemutteren.

► **Fig.54:** 1. Justeringshylse 2. Festemutter

4. Stram kun festemutteren.

► **Fig.55:** 1. Festemutter

5. Løsne justeringshylsen og festemutteren.

► **Fig.56:** 1. Justeringshylse 2. Festemutter

6. Stram kun festemutteren.

► **Fig.57:** 1. Festemutter

7. Kontroller at bremsespaken i den midterste stillingen når den er trukket helt ned. Hvis bremsespaken er i den midterste stillingen, går du til trinn 13. Hvis bremsespaken ikke er i den midterste stillingen, går du til trinn 8.

► **Fig.58:** 1. Bremsespak

8. Løsne kun festemutteren.

► **Fig.59:** 1. Festemutter

9. Stram festemutteren og justeringshylsen sammen.

► **Fig.60:** 1. Justeringshylse 2. Festemutter

10. Løsne kun festemutteren.

► **Fig.61:** 1. Festemutter

11. Stram festemutteren og justeringshylsen sammen.

► **Fig.62:** 1. Justeringshylse 2. Festemutter

12. Kontroller at bremsespaken i den midterste stillingen når den er trukket helt ned.

► **Fig.63:** 1. Bremsespak

13. Fold lasteplanrammen, og deretter fester du lasteplanet eller skålen.

► **Fig.64:** 1. Lasteplanramme

## Etterfylle luft i dekket

Kontroller at det er ikke er for lite luft i fremhjulets dekk. Hvis det ikke er tilstrekkelig luft i dekket, etterfylles dekket med luft ved hjelp av en dekkpumpe. Anbefalt dekktrykk er 230 KPa.

► **Fig.65**

## VALGFRITT TILBEHØR

**⚠FORSIKTIG:** Det anbefales at du bruker dette tilbehøret eller verktøyet sammen med den Makita-maskinen som er spesifisert i denne håndboken. Bruk av annet tilbehør eller verktøy kan forårsake personskader. Tilbehør og verktøy må kun brukes til det formålet det er beregnet på.

**⚠FORSIKTIG:** Bruk kun Makita-tilleggsutstyret og -tilbehøret som er beregnet på maskinen. Hvis du bruker andre typer tilleggsutstyr eller tilbehør, kan det oppstå alvorlige personskader.

Ta kontakt med ditt lokale Makita-servicesenter hvis du trenger mer informasjon om dette tilbehøret.

- Lasteplan
- Skål
- Støttehjul
- Makita originalbatteri og lader

**MERK:** Enkelte elementer i listen kan være inkludert som standardtilbehør i verktøypakken. Elementene kan variere fra land til land.

## TEKNISET TIEDOT

Malli:		DCU180
Mitat (P x L x K)	Kannattimen asennuksen jälkeen	Käytön aikana: 1 315 mm x 1 060 mm x 900 mm Varastoitaessa: 1 110 mm x 820 mm x 820 mm
	Kaukalon asennuksen jälkeen	Käytön aikana: 1 310 mm x 820 mm x 900 mm Varastoitaessa: 1 110 mm x 820 mm x 820 mm
Ajonopeus	Eteenpäin	1,5 tai 3,5 km/h
	Peruutus	1,0 km/h
Pienin kääntösäde		1 075 mm (Ulkohalkaisija, kun käännytään etupyörä akselina)
Suurin nousukapasiteetti		12°:ssa
Maksimikantavuus		130 kg
Jarru	Etupyörä	Levyjarru vaijerilla
	Takapyörä	Kiinteä polkimella
Rengas	Etupyörä	Sisäkumiton rengas
	Takapyörä	Itsetiivistävä rengas
Nimellisjännite		DC 18 V
Nettopaino	Kannattimen asennuksen jälkeen	43,7 - 44,0 kg
	Kaukalon asennuksen jälkeen	40,7 - 41,0 kg

- Jatkuvasta tutkimus- ja kehitystyöstämme johtuen esitetyt tekniset tiedot saattavat muuttua ilman erillistä ilmoitusta.
- Tekniset tiedot ja akkupaketti voivat vaihdella maittain.
- Paino voi olla erilainen lisävarusteista sekä akusta johtuen. EPTA-menettelytavan 01/2014 mukaisesti, taulukossa on kuvattu kevyin ja painavin laiteyhdistelmä.

### Käytettävä akkupaketti ja laturi

Akkupaketti	BL1815N / BL1820B / BL1830B / BL1840B / BL1850B / BL1860B
Laturi	DC18RC / DC18RD / DC18RE / DC18SD / DC18SE / DC18SF / DC18SH

- Tiettyjä yläpuolella kuvattuja akkuja ja latureita ei ehkä ole saatavana asuinalueestasi johtuen.

**VAROITUS:** Käytä vain edellä eriteltyjä akkupaketteja ja latureita. Muiden akkupakettien ja laturien käyttäminen voi aiheuttaa loukkaantumisen ja/tai tulipalon.

**VAROITUS:** Älä käytä koneen kanssa johdollista virtälähdettä, kuten akkusoivinta tai kannettavaa tehoyksikköä. Tällaisen virtälähteen johto voi haitata käyttöä ja aiheuttaa henkilövahingon.

### Symbolit

Laitteessa on mahdollisesti käytetty seuraavia symboleja. Opettele niiden merkitys ennen käyttöä.



Lue käyttöohje.



Koskee vain EU-maita  
Käytetyillä sähkö- ja elektroniikkalaitteilla, paristoilla ja akuilla voi olla negatiivisia ympäristö- ja terveysvaikutuksia niissä käytettyjen haitallisten osien takia.

Älä hävitä sähkö- ja elektroniikkalaitteita tai akkuja kotitalousjätteen mukana!

Vanhoja sähkö- ja elektroniikkalaitteita, paristoja ja akkuja koskevan EU-direktiivin ja sen perusteella laadittujen kansallisten lakien mukaan käytetyt sähkö- ja elektroniikkalaitteet, paristot ja akut on kierrätettävä toimittamalla ne erilliseen, ympäristönsuojelusäädösten mukaisesti toimivaan kierrätyspisteeseen.

Tämä on ilmaistu laitteessa olevalla ylivedetyn roska-astian symbolilla.



Työnnä vipu täysin alas ja tarkasta, että kuljetusalusta tai kaukalo on lukittuna.



Älä muuta suuntaa jyrkillä rinteillä.



Kuormaa ja pura kuorma tasaisella alustalla.



Sijoita kuorma tasaisesti kuljetusalustalle tai kaukaloon.



Tätä laitetta ei saa käyttää yleisillä teillä.



Älä käytä laitetta henkilökuljetukseen.



Älä altista laitetta sateelle.



Keskeytä äänimerkki vapauttamalla liipaisinkytkin ja vetämällä jarruvipua.



Älä katso säteeseen.



EU:n ulkona käytettävien laitteiden melupäästöjä koskevan direktiivin mukainen taattu äänitehotaso.



Australian Uuden Etelä-Walesin osavaltion melutasolainsäädännön mukainen äänitehotaso

## Käyttötarkoitus

Laitte on tarkoitettu esineiden kuormaamiseen ja kuljetamiseen akkuavusteisesti.

## Melutaso

Tyypillinen A-painotettu melutaso määräytyy standardin EN62841-1 mukaan:

Äänenpainetaso ( $L_{pA}$ ): 70 dB (A) tai vähemmän  
Virhemarginaali (K): 3 dB (A)

Työskentelyn aikana melutaso voi ylittää 80 dB (A).

**HUOMAA:** Ilmoitetut melusoorvot on mitattu standarditestausmenetelmän mukaisesti ja niiden avulla voidaan vertailla työkaluja keskenään.

**HUOMAA:** Ilmoitettuja melusoorvoja voidaan käyttää myös altistumisen alustavaan arviointiin.

**VAROITUS:** Käytä kuulosuojaimia.

**VAROITUS:** Sähkötyökalun käytön aikana mitattu melutasoarvo voi poiketa ilmoitetuista arvoista laitteen käyttötavan ja erityisesti käsiteltävän työkalupaleen mukaan.

**VAROITUS:** Selvitä käyttäjän suojaamiseksi tarvittavat varoimet todellisissa käyttöolosuhteissa tapahtuvan arvioidun altistumisen mukaisesti (ottaen huomioon käyttöjaksoko-konaisuuksensa, myös jaksot, joiden aikana laite on sammutettuna tai käy tyhjäkäynnillä).

## Tärinä

Kokonaistärinä (kolmen akselin vektorien summa) määräytyy standardin EN62841-1 mukaan:

Työtila: käyttö ilman kuormitusta

Tärinäpäästö ( $a_h$ ): 2,5 m/s<sup>2</sup> tai alhaisempi

Virhemarginaali (K): 1,5 m/s<sup>2</sup>

**HUOMAA:** Ilmoitetut kokonaistärinäarvot on mitattu standarditestausmenetelmän mukaisesti ja niiden avulla voidaan vertailla työkaluja keskenään.

**HUOMAA:** Ilmoitettuja kokonaistärinäarvoja voidaan käyttää myös altistumisen alustavaan arviointiin.

**VAROITUS:** Sähkötyökalun käytön aikana mitattu todellinen tärinäpäästöarvo voi poiketa ilmoitetuista arvoista laitteen käyttötavan ja erityisesti käsiteltävän työkalupaleen mukaan.

**VAROITUS:** Selvitä käyttäjän suojaamiseksi tarvittavat varoimet todellisissa käyttöolosuhteissa tapahtuvan arvioidun altistumisen mukaisesti (ottaen huomioon käyttöjaksoko-konaisuuksensa, myös jaksot, joiden aikana laite on sammutettuna tai käy tyhjäkäynnillä).

## EY-vaatimustenmukaisuusvakuutus

Koskee vain Euroopan maita

EY-vaatimustenmukaisuusvakuutus on liitetty tähän käyttöoppaaseen.

## TURVAVAROITUKSET

### Sähkötyökalujen käyttöä koskevat yleiset varoitukset

**VAROITUS:** Tutustu kaikkiin tämän sähkötyökalun mukana toimitettuihin varoituksiin, ohjeisiin, kuviin ja teknisiin tietoihin. Seuraavassa lueteltujen ohjeiden noudattamatta jättäminen saattaa johtaa sähköiskuihin, tulipaloon tai vakavaan vammautumiseen.

### Säilytä varoitukset ja ohjeet tulevaa käyttöä varten.

Varoituksissa käytettävällä termillä "sähkötyökalu" tarkoitetaan joko verkkovirtaa käyttävää (johdollista) työkalua tai akkukäyttöistä (johdotonta) työkalua.

### Akkukäyttöistä työntökärryä koskevat turvallisuusvaroitukset

1. Käytä laitetta käyttäessäsi aina luistamattomia turvajalkineita. Luistamattomat turvakärjellä varustetut turvasaappaat ja -kengät vähentävät tapaturmavaaraa.
2. Tarkasta kulkutie ennen esineiden/materiaalien kuljettamista. Tutustu kulkutiehen ja varmista, että se on riittävän leveä laitteen kuljettamiseksi kuormattuna, koska tämä ehkäisee laitehallinnan menettämisen.

3. **Ole äärimmäisen varovainen liukkaalla, upotavalla ja epävakaalla alustalla.** Märät ja liukkaat pinnat, kuten ruohikko, lumi tai jää sekä upottava ja epävakaata maasto, kuten hiekka- tai sorapinnat voivat johtaa laitteen pidon menettämiseen ja vaikeuttaa ohjausta, jarrutusta ja vakautta.
  4. **Älä käytä laitetta erittäin jyrkissä rinteissä.** Tämä vähentää hallinnan menettämisen, luistamisen ja putoamisen vaaraa, joka voi johtaa henkilövahinkoon. Suositeltua maksimikulmaa ja sivukaltevuutta suuremmat kaltevuudet lisäävät epävakautta ja vaikuttavat kykyyn pysähtyä turvallisesti.
  5. **Työskennellessä rinteissä, säilytä hyvä tasapaino, kulje rinteiden poikki, ei koskaan ylös tai alas ja ole erittäin varovainen vaihtaessasi suuntaa.** Tämä vähentää hallinnan menettämisen, luistamisen ja putoamisen vaaraa, joka voi johtaa henkilövahinkoon.
  6. **Käytä aina kun mahdollista tasaisia alueita pysähtymiseen, kuormaamiseen ja purkamiseen ja älä koskaan jätä laitetta ilman valvontaa rinteeseen.** Laite on epävakaampi rinteessä kuin tasaisella alustalla.
  7. **Kun pysähdyt rinteeseen, suuntaa laite ylä- tai alamäkeen ja aseta vierintäesteet jarruttamattomien pyörien eteen.** Laite on epävakaampi sijoitettuna rinteeseen poikkisuuntaan. Jarruttamattomat pyörät, etenkin kääntyvät pyörät, voivat kääntyä alamäkeen, vaikka etupyörän pysäköintijarru olisi kytketty.
  8. **Jos laite jätetään ilman valvontaa, kytke pysäköintijarru laitteen ollessa turvallisella pysäytysalueella.** Pysäköintijarru estää etupyörän tahattoman liikkeen ja voi parantaa vakautta.
  9. **Varmista, että rampit ovat puhtaat, vahvat ja turvalliset.** Tapaturmavaaran rajoittamiseksi, kaikkien ramppien on oltava puhtaat roskista ja riittävän vahvoja kestävään niiden päällä liikutettavia kuormia. Niissä on oltava riittävä tuenta alapuolella ja molemmilla laidoilla joustamisen ja sivuttaisliikkeen estämiseksi kuormattuna. Ramppien on oltava riittävän leveitä turvallisen kulkemisen varmistamiseksi, kuormien kuljettamisessa niiden yli.
  10. **Varmista, että kaukalo on alhaalla ja kaukalo ja tyhjennysluukut kiinnitetty, kun kuormaa ei tyhjenetä ja laite on varastossa.** Kiinnittämättömät kaukalot tai tyhjennysluukut voivat avautua tai liikkua odottamattomasti.
  11. **Vältä ramppien jatkamista ilman tasaajia tai kaitteita avoimien tilojen kohdalla.** Korkeat avoimet tilat ja ojat altistavat vahingossa tapahtuvaan putoamiseen ja lisäävät mahdollisen vakavan tapaturman vaaraa. Käytä tasaajia tai kaitteita rampeissa avoimien tilojen yläpuolella, estääksesi laitteen ajamisen pois ramplilta.
  12. **Varmista, että kaikki lukitusruuvit on kiristetty ennen käyttöä.** Lukitusruuvien takapöyryissä ja avoimen kaukalon etu- ja sivuseinillä on oltava kiinnitetty, näiden laitteiden säädettävien osien tahattoman liikkumisen estämiseksi.
  13. **Älä käytä laitetta ylikuormattuna.** Varmista, että laitteen kapasiteetti on riittävä kuljetettavalle esineelle tai materiaalille. Ylikuorma tekee koneen hallinnasta ja pysäyttämisestä vaikeaa, pidentää pysähdysmatkaa ja -aikaa ja lisää epävakaan vaaraa.
  14. **Älä käytä laitetta ylikorkealla kuormalla.** Materiaalin pinoaminen kaukalon reunan yli voi johtaa laitteen tasapainon ja hallinnan menettämiseen.
  15. **Käytä säiliöitä ja sidontanauhoja kuormien siirtämiseen.** Löysät ja/tai epävakaat kuormat liikkuvat helposti ja voivat johtaa tasapainon ja hallinnan menettämiseen.
  16. **Pidä aina tukeva ote kahvoista.** Hallinnan menettämisen kasvattaa tapaturmavaaran mahdollisuutta.
  17. **Poista turva-avain, kun laitetta ei käytetä.** Turva-avain estää lasten tai kouluttamattomien tai valtuuttamattomien henkilöiden laitteen käytön virta kytkettyinä. Sähkövirtaa ei voida kytkeä päälle ilman avainta.
  18. **Tätä laitetta ei saa käyttää yleisillä teillä.** Työntökärryjen käyttäminen yleisillä teillä on lain vastaista ja voi johtaa väkivallan uhroiksi sekä aiheuttaa henkilövahingoja.
  19. **Käytä kestävää ja luistamatonta levyä ja irtoamisen estävää toimintoa tämän laitteen lastaamiseen ja/tai purkamiseen kuljetusta varten, tai laitteen siirtämiseen eri tasojen välillä.** Varmista, että levyn kallistus ei ylitä 12°, ja että käytät laitetta hitaasti ja varovaisesti. Epävakaata ja nopea toiminta voi aiheuttaa kaatumisen ja/tai putoamisen.
  20. **Älä pura, korjaa tai muuntele tätä laitetta.**
- Käyttö**
1. **Seiso laitteen takana ja pidä kahvoista tukevasti laitteen käytön aikana.**
  2. **Älä käytä laitetta ollessasi sen päällä.**
  3. **Älä kuljeta ketään laitteen päällä.**
  4. **Kun laitetta peruutetaan ja kävellään taaksepäin, katso taaksesi ja varo liukastumista tai kompastumista.**
  5. **Älä käytä laitetta näkyvyyden ollessa heikko, koska voit osua esteisiin.**
  6. **Jos laitetta käytetään vaikeassa maastossa, alenna nopeutta ja ohjaa sitä varovasti.**
  7. **Laitteen käytön aikana vältä pehmeitä alustoja kaatumisen välttämiseksi alustan mahdollisesti pettäessä.**
  8. **Älä käytä laitetta kaltevuudeltaan yli 12° rinteissä.**
  9. **Jos huomaat epätavallisuksia, pysäytä laite tasaiselle alustalle. Vedä jarruvipua, lukitse jarru ja kytke virta pois päältä ennen laitteen tarkastamista.**
  10. **Varmista ennen laitteen käyttöä, että lukkuvipu on vedetty täysin alas ja lukittu kunnolla.** Jos lukitus on puutteellinen, voi se johtaa tapaturmaan tai henkilövammaan kuljetusalustan tai kaukalon kallistuessa ja esineiden pudotessa alamäkeen.
  11. **Varo, etteivät johdot juutu kuormaun tai esteisiin.**
- Käyttö rinteissä**
1. **Älä kulje rinteiden poikki.**
  2. **Alenna nopeutta ja ohjaa varovasti.**
  3. **Ole varovainen laitteen käynnistämässä tai pysäyttämässä rinteessä.**
  4. **Koska kuormat ovat epävakaata rinteissä, kiinnitä kuorma kunnolla köysillä.**

- Koska laite muuttuu epävakaaksi tielosuhteista johtuen, pidä kuorma mahdollisimman pienenä.
- Koska näkyvyys heikkenee rinteessä, pidä kuorman korkeus minimissä.
- Älä koskaan pysäköi laitetta jyrkkiin rinteisiin. Pysäköi laite tasaiselle alustalle, vedä jarruvipua, lukitse jarru ja kytke virta pois päältä.
- Älä muuta suuntaa tai nopeustilaa nopeasti jyrkillä rinteillä.
- Älä vapauta liipaisinkytkintä ylämäessä. Kone voi vaihtaa peruutustilaan ja aiheuttaa tapaturman.
- Varmista, että akun jäljellä oleva varaus on riittävä käyttöön rinteessä. Jos akkuvaraus ei ole riittävä, lataa tai vaihda akku ladattuun.

#### Kuormaus

- Älä ylikuormaa. Noudata käyttöohjeen ohjeita ja kuormausrajoituksia kuormauksen yhteydessä.
- Kiinnitä kuorma kunnolla köysillä.
- Sijoita kuorma kuljetusalustan tai kaukalon sisälle. Jos kuorma työntyy kuljetusalustan tai kaukalon ulkopuolelle, voi se johtaa putoavista esineistä tai esteisiin osumisesta johtuviin tapaturmiin.
- Varmista, että kuorma on sihtien tason alapuolella. Jos kuorma on liian korkea, on se vaarallinen näkyvyyden heikentymisestä johtuen. Olemassa on myös kaatumisen ja tapaturman vaara, koska kuorma on todennäköisesti epätasapainossa.
- Sijoita kuorma kuljetusalustalle tai kaukaloon tasaisesti. Jos kuorma asetetaan epätasapainoon, voi se johtaa kaatumisen ja tapaturman vaara, koska kuorma on todennäköisesti epätasapainossa.
- Varmista ennen kuormaamista ja laitteen käyttöä, että lukkovipu on vedetty täysin alas ja lukittu kunnolla.
- Kuormaa raskaat esineet ensin tasapainon säilyttämiseksi.
- Älä jatka etu- ja sivukaiteita jyrkissä rinteissä. Jatka sivukaiteet kun kevyitä esineitä on kuormattu.
- Kun etu- ja sivukaiteet jatketaan, älä jatka niitä rajoituksen yli. Jatka sivukaiteet niin, että oikea ja vasen laita on saman pituinen ja kuormaa kuorma tasaisesti.
- Kuormaa ja pura kuorma tasaisella alustalla.
- Kun kuljetusalustaa tai kaukaloa nostetaan tai kallistetaan, pidä kahvoista tukevasti ja seisole tukevassa asennossa.

#### Huolto

- Pysäköi laite aina tasaiselle alustalle ja lukitse jarruvipu, ennen varastointia tai tarkastusta ja huoltoa.

## SÄILYTÄ NÄMÄ OHJEET.

**VAROITUS:** ÄLÄ anna työkalun helppokäyttöisyyden (toistuvan käytön aikaansaama) johtaa sinua väärään turvallisuuden tunteeseen niin, että laiminlyöt työkalun turvaohjeiden noudattamisen. VÄÄRINKÄYTTÖ tai tässä käyttöohjeessa ilmoitettujen turvamääräysten laiminlyönti voi aiheuttaa vakavia henkilövahinkoja.

## Akkupakettia koskevia tärkeitä turvaohjeita

- Ennen akun käyttöönottoa tutustu kaikkiin laturissa (1), akussa (2) ja akkukäyttöisessä tuotteessa (3) oleviin varoitusteksteihin.
- Älä pura tai peukaloi imuria akkupakettia. Se voi johtaa tulipaloon, ylikuumenemiseen tai räjähdykseen.
- Jos akun toiminta-aika lyhenee merkittävästi, lopeta akun käyttö. Seurauksena voi olla ylikuumeneminen, palovammoja tai jopa räjähdys.
- Jos akkuneustetta pääsee silmiin, huuhtele puhtaalla vedellä ja hakeudu välittömästi lääkärin hoitoon. Akkuneuste voi aiheuttaa näön menetyksen.
- Älä oikosulje akkua.
  - Älä koske akun napoihin millään sähköä johtavalla materiaalilla.
  - Vältä akun oikosulkemista äläkä säilytä akkua yhdessä muiden metalliesineiden, kuten naulojen, kolikoiden ja niin edelleen kanssa.
  - Älä aseta akkua alttiiksi vedelle tai sateelle. Oikosulku voi aiheuttaa virtapiikin, ylikuumenemista, palovammoja tai laitteen rikkoontumisen.
- Älä säilytä ja käytä työkalua ja akkupakettia paikassa, jossa lämpötila voi nousta 50 °C:een (122 °F) tai korkeammaksi.
- Älä hävitä akkua polttamalla, vaikka se olisi pahoin vaurioitunut tai täysin loppuun kulunut. Avotuli voi aiheuttaa akun räjähtämisen.
- Älä naulaa, leikkaa, purista, heitä tai pudota akkupakettia tai iske sitä kovia esineitä vasten. Tällaiset toimet voivat johtaa tulipaloon, ylikuumenemiseen tai räjähdykseen.
- Älä käytä viallista akkua.
- Sisältyvät litium-ioni-akkuja koskevat vaarallisten aineiden lainsäädännön vaatimukset. Esimerkiksi kolmansien osapuolten huolintaliikkeiden tulee kaupallisissa kuljetuksissa noudattaa pakkaamista ja merkintöjä koskevia erityisvaatimuksia. Lähetettävän tuotteen valmistelu edellyttää vaarallisten aineiden asiantuntijan neuvontaa. Huomioi myös mahdollisesti yksityiskohtaisemmat kansalliset määräykset. Akun avoimet liittimet tulee suojata teipillä tai suojuksella ja pakkaaminen tulee tehdä niin, ettei akku voi liikkua pakkauksessa.
- Kun akkupaketti on hävitettävä, poista se laitteesta ja hävitä se turvallisesti. Hävitä akku paikallisten määräysten mukaisesti.
- Käytä akkuja vain Makitan ilmoittamien tuotteiden kanssa. Akkujen asentaminen yhteensopimattomiin tuotteisiin voi aiheuttaa tulipaloon, liiallisen ylikuumenemisen, räjähdysen tai akkuneustevuotoja.
- Jos laitetta ei käytetä pitkään aikaan, akku on poistettava laitteesta.
- Akkupaketin lämpötila voi käytön aikana ja sen jälkeen nousta niin kuumaksi, että se voi aiheuttaa palovammoja tai lieviä palovammoja. Käsittele kuumia akkupaketteja huolellisesti.

15. Älä kosketa työkalun liittintä välittömästi käytön jälkeen, sillä se voi olla riittävän kuuma aiheuttamaan palovammoja.
16. Älä päästä lastuja, pölyä tai maata akkupaketin liittimiin, aukkoihin ja uriin. Se voi heikentää työkalun tai akkupaketin suorituskykyä tai johtaa niiden rikkoutumiseen.
17. Ellei työkalu tue käyttöä korkeajännitelinjojen lähellä, älä käytä akkupakettia korkeajännitelinjojen lähellä. Se voi johtaa työkalun tai akkupaketin toimintahäiriöön tai rikkoutumiseen.
18. Pidä akku poissa lasten ulottuvilta.

## SÄILYTÄ NÄMÄ OHJEET.

**▲HUOMIO:** Käytä vain alkuperäisiä Makita-akkuja. Muiden kuin aitojen Makita-akkujen, tai mahdollisesti muutettujen akkujen käyttö voi johtaa akun murtumiseen ja aiheuttaa tulipaloja, henkilö- ja omaisuusvahinkoja. Se mitätöi myös Makita-työkalun ja -laturin Makita-takuun.

## Vihjeitä akun käyttöiän pidentämiseksi

1. Lataa akku ennen kuin se purkautuu täysin. Lopeta aina työkalun käyttö ja lataa akku, jos huomaat työkalun tehon vähenevän.
2. Älä koskaan lataa uudestaan täysin ladattua akkua. Yliilataaminen lyhentää akun käyttöikää.
3. Lataa akku huoneen lämpötilassa välillä 10 °C - 40 °C. Anna kuuman akun jäähtyä ennen lataamista.
4. Irrota akkupaketti työkalusta tai laturista, kun sitä ei käytetä.
5. Lataa akkupaketti, jos et käytä sitä pitkään aikaan (yli kuusi kuukautta).

## OSIEN KUVAUS

### Osien kuvaus (kun kuljetusalusta on asennettu)

#### ► Kuva1

1	Ohjauspaneeli	2	Kahva
3	Liipaisinkytkin	4	Akkukotelo
5	Etupyörän jarruvipu	6	Takapyörä
7	Jarrupoljin takapyörälle	8	Lamppu
9	Etupyörä	10	Kuljetusalusta

### Osien kuvaus (kun kaukalo on asennettu)

#### ► Kuva2

1	Ohjauspaneeli	2	Kahva
3	Liipaisinkytkin	4	Akkukotelo
5	Etupyörän jarruvipu	6	Takapyörä
7	Jarrupoljin takapyörälle	8	Lamppu
9	Etupyörä	10	Kauha

## KOKOONPANO

**▲HUOMIO:** Varmista aina, että laite on sammutettu ja akku irrotettu, ennen koneeseen suoritettavia työtoimenpiteitä.

### Pääyksikön asennus

1. Poista perusyksikkö ja kahvat laatikosta.

#### ► Kuva3

**HUOMAUTUS:** Poista perusyksikkö ja kahvat yhdessä niin, että johtoihin ei kohdistu liikaa rasitusta.

2. Sijoita pakkausmateriaali perusyksikön takapuolen alle.

#### ► Kuva4: 1. Pakkausmateriaali

3. Asenna takapyörät runkoon.

#### ► Kuva5: 1. Takapyörä

#### ► Kuva6: 1. Takapyörä

**HUOMAA:** Tukijalat voidaan asentaa takapyörien sijaan.

4. Aseta jousialuslevy ja aluslevy lyhyeen kuusiokantapulttiin ja kiristä ne pakkaukseen sisältyvällä avaimella.

#### ► Kuva7: 1. Lyhyt kuusiokantapultti 2. Jousialuslevy 3. Aluslevy

#### ► Kuva8

**HUOMAUTUS:** Varmista, että käytät lyhyitä kuusiokantapultteja takapyörien kiristämiseen.

**HUOMAUTUS:** Kiinnitä takapyörät samaan asentoon molemmalla puolella.

5. Nosta kahvat ylös ja aseta ne perusyksikköön.

#### ► Kuva9

**HUOMAUTUS:** Älä päästä johtoja alueen "A" sisään kuvassa. Pitkät esineet voivat juuttua johtoihin ja aiheuttaa tapaturman.

**HUOMAUTUS:** Älä altista johtoja suurelle rasitukselle kahvojen nostamisen ja asennuksen yhteydessä.

**HUOMAUTUS:** Nosta kahvat molemmin käsin.

6. Avaa kuljetusalusta runko eteenpäin.

#### ► Kuva10: 1. Kuljetusalustan runko

7. Avaa kahvat, aseta pitkät kuusiokantapultit perusyksikköön ja kiristä mutterit pakkaukseen sisältyvällä avaimella.

#### ► Kuva11: 1. Pitkä kuusiokantapultti

8. Kiristä olakepultit takaa päin pakkaukseen sisältyvällä avaimella.

#### ► Kuva12: 1. Olakepultti

9. Kiristä lyhyet kuusiokantapultit molemmalta puolelta pakkaukseen sisältyvällä avaimella.

#### ► Kuva13: 1. Lyhyt kuusiokantapultti

**HUOMAUTUS:** Älä kiristä lyhyitä kuusiokantapultteja liian tiukkaan. Kiristä ne sopivan kireälle niin, että kahvat on kiinnitetty kunnolla.

**HUOMAUTUS:** Älä kiristä johtoja pulttien väliin.

10. Kiinnitä johdot kiinnikkeillä.

► **Kuva14:** 1. Kiinnike

11. Taita kuljetusalustan runko.

► **Kuva15:** 1. Kuljetusalustan runko

12. Paina lukkopainiketta vetäessäsi lukkovipua jarrun lukitsemiseksi.

► **Kuva16:** 1. Lukituspainike 2. Jarruvipu

**HUOMIO:** Jos takapyörät on asennettu, paina takapyörän jarrupoljinta sen lukitsemiseksi.

13. Kiinnitä kuljetusalustan lukko ja vedä lukkovipua ala kuljetusalustan lukitsemiseksi.

► **Kuva17:** 1. Kuljetusalustan lukko 2. Lukitusvipu

**HUOMAUTUS:** Varmista, että lukitusvipu on lukittu.

**HUOMAUTUS:** Älä kiristä johtoja lukkovivun väliin.

**HUOMAA:** Jos tukijalat asennetaan takapyörän sijaan, irrota takapyörät rungoista ja kiinnitä tukijalat runkoihin.

► **Kuva18:** 1. Takapyörä 2. Tukijalat

## Kuljetusalustan kokoonpano ja asennus

### Lisävaruste

1. Poista kuljetusalusta laatikosta, kiinnitä sivukaiteet perusrunkoon ja kiristä ne siipimuttereilla.

► **Kuva19:** 1. Siipimutteri

2. Sijoita kuljetusalusta perusyksikköön ja aseta kuusiokantapultit ja aluslevyt runkoihin yläpuolelta. Kiristä aluslevyt, jousialuslevyt ja siipimutterit alapuolelta kuljetusalustan kiinnittämiseksi.

► **Kuva20:** 1. Pitkä kuusiokantapultti 2. Lyhyt kuusiokantapultti 3. Aluslevy 4. Jousialuslevy 5. Siipimutteri

**HUOMAUTUS:** Käytä pitkiä pultteja etuosassa ja lyhyitä takaosassa.

## Kaukalon asennus

### Lisävaruste

Aseta kaukalo perusyksikköön ja aseta kuusiokantapultit ja runkoihin yläpuolelta ja kiristä aluslevyt ja jousialuslevyt ja siipimutterit alapuolelta kaukalon kiinnittämiseksi.

► **Kuva21:** 1. Kuusiopultti 2. Aluslevy 3. Jousialuslevy 4. Siipimutteri

## TOIMINTOJEN KUVAUS

### Akun asentaminen tai irrottaminen

**HUOMIO:** Sammuta kone aina ennen akun kiinnittämistä tai irrottamista.

**HUOMIO:** Varmista ennen käyttöä, että akun suojuus on lukittu. Muuten muta, hiekka tai vesi voisi vaurioittaa tuotetta tai akkua.

**HUOMIO:** Työnnä akku aina pohjaan asti, niin että punainen ilmainen ei enää näy. Jos akku ei ole kunnolla paikallaan, se voi pudota koneesta ja aiheuttaa vammoja joko sinulle tai sivullisille.

**HUOMIO:** Älä käytä voimaa akun asennuksessa. Jos akku ei liu'u paikalleen helposti, se on väärässä asennossa.

**HUOMIO:** Älä käytä korkean lämpötilan akkua. Jos korkean lämpötilan akkua käytetään, laite pysähtyy automaattisesti ennen lyhyen äänimerkin antamista ja voi aiheuttaa tapaturman.

### Akun asentaminen

1. Kierrä lukitusvipua ja avaa akun kansi.

► **Kuva22:** 1. Lukitusvipu 2. Suoja

2. Kohdista akun kieli akkukotelon rakoön liu'uta sitten akkua, kunnes se lukkiutuu paikalleen hieman napsahtaen. Jos painikkeen yläpuolella näkyy punainen ilmainen, akku ei ole lukkiutunut paikoilleen täysin.

► **Kuva23:** 1. Akkupaketti

3. Työnnä lukitusavain paikalleen niin pitkälle kun sen menee.

► **Kuva24:** 1. Lukitusavain

**HUOMAA:** Jos lukitusavain ei ole paikallaan, kone ei toimi.

4. Sulje akun kansi ja kierrä lukitusvipua.

► **Kuva25:** 1. Lukitusvipu 2. Suoja

### Akun poistaminen

1. Kierrä lukitusvipua ja avaa akun kansi.

2. Irrota akku painamalla akun etupuolella olevaa painiketta ja vetämällä akku ulos koneesta.

► **Kuva26:** 1. Painike

3. Vedä lukitusavain irti.

4. Sulje akun kansi ja kierrä lukitusvipua.

### Laitteen/akun suojausjärjestelmä

Laite on varustettu koneen/akun suojausjärjestelmällä. Tämä järjestelmä pidentää laitteen ja akun käyttöikää katkaisemalla automaattisesti moottorin virran.

Laite pysähtyy automaattisesti kesken käytön, jos laitteessa tai akussa ilmenee jokin seuraavista tilanteista. Lyhyt äänimerkki kuuluu ennen kuin laite pysähtyy automaattisesti. Akkuilmaisimet ja LED-valot vilkkuvat valkoisina ja äänimerkki kuuluu.



## Ylikuormitusuoja

Kun laitetta käytetään tavalla, jossa virrankulutus on suuri, laite pysähtyy automaattisesti ilmoittamatta tästä. Sammuta laite tässä tilanteessa ja poista ylikuormituksen syy, ja kytke laite päälle uudestaan.

## Ylikuumenemissuoja

Kun laite ylikuumentuu, se pysähtyy automaattisesti. Anna laitteen jäähtyä, ennen kuin kytket sen uudelleen päälle. Ylikuumenemissuoja toimii todennäköisesti ympäristössä korkealla lämpötilalla.

## Ylipurkautumissuoja

Jos akun varaus käy vähiin, laite pysähtyy automaattisesti. Jos laite ei toimi, vaikka kytkimiä käytetään, irrota akku ja suorita lataus.

## Akun vaihtaminen

► **Kuva27:** 1. Akun valintakytkin

Kaksi akkua voidaan asentaa akkukoteloon, vaikka laite käyttäkin toimintaansa vain yhtä akkua kerrallaan. Valitse työssä käytettävä akku ennen laitteen käyttöä painamalla numeroa akun valintakytkimessä.







**HUOMAUTUS:** Jos vain yksi akku on asennettu akkukoteloon, valitse se akkukotelo jossa akku sijaitsee.

## Näyttää akun jäljellä olevan varaustason akkukotelossa

**HUOMIO:** Muista sammuttaa laite ennen akun varaustilan tarkistamista tai akun vaihtamista.

► **Kuva28:** 1. Akun merkkivalo 2. Tarkistuspainike

Painamalla tarkistuspainiketta saat näkyviin akun varaustason. Kumpikin akun ilmaisin vastaa yhtä akkua.

Akun tilan merkkivalo		Akussa jäljellä oleva varaus
 Päällä	 Pois päältä	
		50 % – 100 %
		20 % – 50 %
		0 % – 20 %
		Akkua ei asennettu

**HUOMIO:** Kun akun varaus laskee alhaiseksi, kuuluu lyhyt äänimerkki. Jos laitteen käyttöä jatketaan alhaisella akun varauksella, kuuluu pitkä äänimerkki ja laite pysähtyy automaattisesti. Kun kuulet lyhyen äänimerkin, vedä jarruvipua ja lukitse jarru, vaihda akku ladattuun tai lataa akku. Kun akun varaus loppuu, laite pysähtyy äkillisesti automaattisesti ja tämä voi johtaa tapaturmaan.

**HUOMAA:** Jos jatkat liipaisinkytkimen vetämistä, vaikka kuulet lyhyen äänimerkin, laite pysähtyy automaattisesti. Kun laite on pysähtynyt automaattisesti, äänimerkki jatkuu ja apujarru (sähköjarru) kytkeytyy päälle. Äänimerkin lopettamiseksi ja apujarrun vapauttamiseksi, vedä jarruvipua ja vapauta liipaisinkytkin. Älä työnnä laitetta väkisin vapauttamatta apujarrua. Kun apujarru on vapautettu, voit nähdä mikä akun suojajärjestelmä on käytössä tarkastamalla akun merkkivalon tilan.

► **Kuva29:** 1. Valot 2. Viikkuu 3. Kytkeytyy pois päältä 4. Ylikuumenemissuoja 5. Ylipurkautumissuoja 6. Ylikuormitussuoja

**HUOMIO:** Jos äänimerkki kuuluu rinteessä käytettäessä tai pysähtyy automaattisesti rinteeseen, siirrä laite turvalliseen paikkaan, lukitse jarru ja vaihda ladattuun akkuun tai lataa akku.

Jos kuormitus on suuri ja äänimerkki kuuluu käytössä rinteessä tai laite pysähtyy automaattisesti rinteeseen, älä liikuta laitetta väkisin. Lukitse jarru, huomioi turvallisuus ja vaihda akku ladattuun ja siirrä laite turvalliseen paikkaan. Alenna kuormaa ennen laitteen uudelleen käyttöä.

















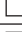
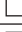


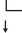



**HUOMAA:** Voit tarkastaa jäljellä olevan akun kapasiteetin, vaikka lukitusavain ei ole paikallaan.

## Akun jäljellä olevan varaustason ilmaisin

Vain akkupaketeille ilmaisimella

► **Kuva30:** 1. Merkkivalot 2. Tarkistuspainike

Painamalla tarkistuspainiketta saat näkyviin akun jäljellä olevan varauksen. Merkkivalot palavat muutaman sekunnin ajan.

Merkkivalot			Akussa jäljellä oleva varaus
 Palaa	 Pois päältä	 Viikkuu	
			75% - 100%
			50% - 75%
			25% - 50%
			0% - 25%
			Lataa akku.
			Akussa on saattanut olla toimintahäiriö.
			

**HUOMAA:** Ilmoitettu varaustaso voi erota hieman todellisesta varaustasosta sen mukaan, millaisissa oloissa ja missä lämpötilassa laitetta käytetään.

**HUOMAA:** Ensimmäinen (vasemmanpuoleisin) merkkivalo vilkkuu, kun akun suojausjärjestelmä on toiminnassa.

## Ohjauspaneeli

► **Kuva31:** 1. Virtapainike 2. Eteen-/taaksepäin -painike 3. Nopeuspainike

Virran kytkemiseksi päälle, paina virtapainiketta muutama sekunti. Paina eteen-/taaksepäin -painiketta vaihtaaksesi eteenpäin- peruutustilan välillä. Paina nopeuspainiketta vaihtaaksesi matalan ja korkean nopeuden välillä. Kun virta on kytketty päälle, eteenpäin-tila ja alhainen nopeus on asetettu. Virran kytkemiseksi pois päältä, paina virtapainiketta muutama sekunti.

**HUOMAA:** Eteen-/taaksepäin -painike ei ole käytettävissä painettaessa liipaisinkytkintä.

**HUOMAA:** Lyhyt äänimerkki kuuluu käytettäessä laitetta peruutustilassa.

**HUOMAA:** Nopeuspainike ei ole käytettävissä peruutustilassa.

## Kytkimen ja jarrun toiminta

**VAROITUS:** Varmista ennen akun asentamista laitteeseen, että liipaisinkytkin toimii oikein ja palautuu ”POIS PÄÄLTÄ”-asentoon, kun se vapautetaan.

Käynnistä laite painamalla liipaisinkytkintä. Pysäytä laite vapauttamalla liipaisinkytkin ja vedä jarruvipu. Lukitse jarruvipu painamalla lukituspainiketta jarruvipua painettaessa. Avaa lukitus painamalla jarruvipua.

► **Kuva32:** 1. Liipaisinkytkin

► **Kuva33:** 1. Lukituspainike 2. Jarruvipu

## Takapyöräjarru

Takapyörässä on jarrut. Jarrut lukitaan painamalla jarrupoljin eteen. Jarrut vapautetaan painamalla jarrupoljin taakse.

► **Kuva34:** 1. Poljin

## Etulamppujen syyttäminen

Paina lamppupainiketta akkukotelossa lamppujen syyttämiseksi. Sammuta lamput painamalla painiketta uudestaan.

► **Kuva35:** 1. Lamppupainike 2. Lamppu

**HUOMAA:** Lamput sammuvat, jos laitetta ei käytetä n. 10 minuutin aikana.

**HUOMAA:** Lamput sammuvat kun virta kytketään pois päältä.

**HUOMAA:** Voit syyttää lamput, vaikka lukitusavain ei olisi paikallaan.

## Kahvakorkeuden säätäminen

Irrota lyhyet kuusiokantapultit ja olakepultit pakkauksen sisältyvällä avaimella ja säädä kahvakorkeutta. Korkeutta voidaan säätää kolmella tasolla. Kiristä olakepultit ja lyhyet kuusiokantapultit kahvan kiinnittämiseksi.

► **Kuva36:** 1. Lyhyt kuusiokantapultti 2. Olakepultti

**HUOMAUTUS:** Kiinnitä vasen ja oikea kahva samalle korkeudelle.

**HUOMAUTUS:** Älä kiristä lyhyitä kuusiokantapultteja liian tiukkaan. Kiristä ne sopivan kireälle niin, että kahvat on kiinnitetty kunnolla.

**HUOMAUTUS:** Älä kiristä johtoja pulttien väliin.

## Kuljetusalustan leveyden säätö

Löysää 4 siipimutteria ja työnnä sivukaiteita. Kiinnitä sivukaiteet kiristämällä siipimutterit.

► **Kuva37:** 1. Siipimutteri 2. Kisko

**VAROITUS:** Älä jatka kaiteita rajamerkin yli.

► **Kuva38**

## TYÖSKENTELY

### Laitteen käyttö

**HUOMAUTUS:** Etupyörää käytetään koneen akkuteholla. Käytä laitetta kuljetustoimintojen helpottamiseksi.

**HUOMAUTUS:** Varmista, että lukitusavain on akkukotelossa ennen käyttöä. Jos lukitusavain ei ole paikallaan, lyhyt äänimerkki kuuluu painaessasi liipaisinkytkintä. Äänimerkki sammuu, kun liipaisinkytkin vapautetaan ja jarruvipua painetaan.

Ennen kuin käytät laitetta, varmista, että jarruvipu toimii oikein.

► **Kuva39:** 1. Jarruvipu

**VAROITUS:** Jos jarruvipu saavuttaa kahvan sen ollessa painettuna pohjaan, jarru ei toimi oikein. Säädä jarru tai pyydä paikallista Makita-huoltokeskusta suorittamaan korjaus.

1. Valitse akku akun valintakytkimellä.
2. Paina painiketta ohjauspaneelissa muutaman sekunnin ajan virran kytkemiseksi päälle.  
► **Kuva40:** 1. Virtapainike
3. Paina jarruvipua sen lukituksen vapauttamiseksi.  
► **Kuva41:** 1. Lukituspainike 2. Jarruvipu

**HUOMAA:** Vapauta takapyörän jarru, jos takapyörät on asennettu.

4. Pidä kahvoista lujasti molemmin käsin.  
► **Kuva42**

5. Vedä liipaisinkytkimestä.  
► **Kuva43:** 1. Liipaisinkytkin

## Kuormaus

**⚠HUOMIO:** Varmista ennen kuormaamista, että virta on kytketty pois päältä ja jarruvipu lukittu.

**⚠HUOMIO:** Jos takapyörät on asennettu, varmista, että ne on lukittu ennen koneen kuormaamista.

**⚠HUOMIO:** Varmista ennen kuormaamista, että kuljetusalusta tai kaukalo on lukittu.

**⚠HUOMIO:** Sijoita kuorma kuljetusalustan tai kaukalon sisälle. Jos kuorma työntyy kuljetusalustan tai kaukalon ulkopuolelle, voi se pudota tai liukua koskissaan esteisiin.

► Kuva44

**⚠HUOMIO:** Varmista, että kuorma on silmien tason alapuolella. Jos kuorma on liian korkea, on se vaarallinen näkyvyyden heikentymisestä johtuen. Olemassa on myös kaatumisen ja tapaturman vaara, koska kuorma on todennäköisesti epätasapainossa.

► Kuva45

Kun kuljetusalustaa kuormataan, kiinnitä kuorma köysillä ja koukuilla.

► Kuva46

## Kuorman tyhjentäminen

**⚠HUOMIO:** Nosta kuljetusalusta tai kaukalo ylös tasaisella ja tukevalla alustalla. Käyttö epävakaa alustalla voi johtaa onnettomuuteen tai tapaturmaan.

Voit tyhjentää kuorman nostamalla tai kallistamalla kuljetusalustaa tai kaukaloa.

1. Sammuta laite ja lukitse jarrut.

**HUOMAUTUS:** Suosittelemme etupyörien tukevista laitteiden vakauttamiseksi.

2. Vapauta lukitusvipu.

3. Seiso laitteen vieressä, pidä kahvasta yhdellä kädellä, nosta ja kallista kuljetusalusta tai kaukalo työntämällä kuljetusalustan runkoa toisella kädellä.

► Kuva47

**⚠HUOMIO:** Pidä kahvasta ja kuljetusalustan rungosta tukevalla otteella ja seiso tukevassa asennossa.

**⚠HUOMIO:** Pidä kuorma mahdollisimman pienenä. Jos kuorma on suuri, älä yritä nostaa kuljetusalustaa. Vähennä kuormaa ja nosta kuljetusalustaa tämän jälkeen.

**⚠HUOMIO:** Kun kuorma on tyhjennetty, lukitse kuljetusalusta tai kaukalo.

## KUNNOSSAPITO

**⚠HUOMIO:** Pysäköi laite aina tasaiselle alustalle ja lukitse jarruvipu, ennen varastointia tai tarkastusta ja huoltoa.

**⚠HUOMIO:** Jos takapyörät on asennettu, varmista, että ne on lukittu ennen laitteen varastointia, tarkastusta tai huoltoa.

**⚠HUOMIO:** Varmista aina ennen varastointia, tarkastusta- tai huoltotoimien aloittamista, että lukitusavain ja akku on irrotettu laitteesta.

**⚠HUOMIO:** Poista aina lukitusavain, kun laite ei ole käytössä. Säilytä lukitusavainta turvallisessa paikassa lasten ulottumattomissa.

## Määräaikaistarkastukset

• Tarkasta pulttien ja muttereiden kireys.

► Kuva48

• Tarkasta, että kuljetusalusta on lukittu lukitusvivun ollessa täysin alhaalla.

► Kuva49: 1. Kuljetusalustan lukko 2. Lukitusvipu

• Tarkasta, että jarruvipu toimii oikein.

► Kuva50: 1. Jarruvipu

**⚠VAROITUS:** Jos jarruvipu saavuttaa kahvan sen ollessa painettuna pohjaan, jarru ei toimi oikein. Säädä jarru tai pyydä paikallista Makita-huoltokeskusta suorittamaan korjaus.

• Tarkasta, että etupyörä ei ole viallinen tai tyhjentynyt. Tarkasta, että etupyörän renkaassa on tarpeeksi ilmaa.

## Koneen puhdistus

**HUOMAUTUS:** Älä koskaan käytä bensiiniä, ohenteita, alkoholia tai tms. aineita. Muutoin pinta voi halkeilla tai sen värit ja muoto voivat muuttua. Muutoin laitteeseen voi tulla värjäytyksiä, muodon vääristymiä tai halkeamia.

**HUOMAUTUS:** Ruiskuta vettä kuljetusalustan tai kaukalon alle laitteen vesipuhdistuksen aikana. Älä puhdistu painepesurilla.

Poista laitteesta muta, lika ja vastaava. Puhdistu laite vesiruiskulla. Pyyhi laite puhdistamisen jälkeen kuivalla liinalla.

## Säilytys

Irrota lukitusavain. Säilytä laitetta turvallisessa paikassa lasten ulottumattomissa.

Kahvat voidaan taistaa eteenpäin laitteen varastoinnin aikana. Irrota lyhyet kuusiokantapullit ja olakepultit pakkaukseen sisältyvällä avaimella. Käännä kahvat ulospäin ja kierrä ne eteenpäin. Kiristä olakepultit ja lyhyet kuusiokantapullit kahvojen kiinnittämiseksi.

► Kuva51: 1. Olakepultti 2. Lyhyt kuusiokantapultti

**HUOMAUTUS:** Älä kiristä lyhyitä kuusiokantapultteja liian tiukkaan. Kiristä ne sopivan kireälle niin, että kahvat on kiinnitetty kunnolla.

**HUOMAUTUS:** Älä kiristä johtoja pulttien väliin.

## Jarrun säätö

**▲HUOMIO:** Jos takapyörät on asennettu, varmista, että ne on lukittu ennen jarrun säätämistä.

1. Irrota kuljetusalusta tai kaukalo ja avaa kuljetusalustan runko.  
► **Kuva52:** 1. Kuljetusalustan runko
2. Paina jarruvipua sen lukituspainikkeen vapauttamiseksi.  
► **Kuva53:** 1. Lukituspainike 2. Jarruvipu
3. Löysää säätölaippaa ja kiinnitysmutteria.  
► **Kuva54:** 1. Säätölaippa 2. Kiinnitysmutteri
4. Kiristä vain kiinnitysmutteri.  
► **Kuva55:** 1. Kiinnitysmutteri
5. Löysää säätölaippaa ja kiinnitysmutteria.  
► **Kuva56:** 1. Säätölaippa 2. Kiinnitysmutteri
6. Kiristä vain kiinnitysmutteri.  
► **Kuva57:** 1. Kiinnitysmutteri
7. Varmista, että jarruvipu on puolivälissä sen ollessa painettuna täysin sisään. Jos jarruvipu on puolivälissä, siirry kohtaan 13. Jos jarruvipu ei ole puolivälissä, siirry kohtaan 8.  
► **Kuva58:** 1. Jarruvipu
8. Löysää vain kiinnitysmutteria.  
► **Kuva59:** 1. Kiinnitysmutteri
9. Kiristä kiinnitysmutteri ja säätölaippa yhdessä.  
► **Kuva60:** 1. Säätölaippa 2. Kiinnitysmutteri
10. Löysää vain kiinnitysmutteria.  
► **Kuva61:** 1. Kiinnitysmutteri
11. Kiristä kiinnitysmutteri ja säätölaippa yhdessä.  
► **Kuva62:** 1. Säätölaippa 2. Kiinnitysmutteri
12. Varmista, että jarruvipu on puolivälissä sen ollessa painettuna täysin sisään.  
► **Kuva63:** 1. Jarruvipu
13. Taita kuljetusalustan runko alas ja kiinnitä kuljetusalusta tai kaukalo.  
► **Kuva64:** 1. Kuljetusalustan runko

## Ilman lisääminen renkaaseen

- Tarkasta, että etupyörän renkaassa on riittävästi ilmaa. Jos ilmaa ei ole riittävästi, täytä rengas täyttöpumpulla. Suositeltu rengaspaine on 230 KPa.  
► **Kuva65**

## LISÄVARUSTEET

**▲HUOMIO:** Seuraavia lisävarusteita tai laitteita suositellaan käytettäväksi tässä ohjeessa kuvatus **Makita-työkalun kanssa**. Muiden lisävarusteiden tai laitteiden käyttö voi aiheuttaa henkilövahinkoja. Käytä lisävarusteita ja -laitteita vain niiden käyttötarkoituksen mukaisesti.

**▲HUOMIO:** Käytä vain laitteelle tarkoitettuja **Makita-lisävarusteita tai -laitteita**. Muiden lisävarusteiden tai -laitteiden käyttäminen voi aiheuttaa vakavan henkilövahingon.

Jos tarvitset apua tai yksityiskohtaisempia tietoja seuraavista lisävarusteista, ota yhteys paikalliseen Makitan huoltoon.

- Kuljetusalusta
- Kauha
- Apupyörät
- Aito Makita-akku ja -laturi

**HUOMAA:** Jotkin luettelossa mainitut varusteet voivat sisältyä työkalun toimitukseen vakiovarusteina. Ne voivat vaihdella maittain.

## SPECIFIKATIONER

Model:		DCU180
Mål (L x B x H)	Når transportbakke er monteret	Under brug: 1.315 mm x 1.060 mm x 900 mm Under opbevaring: 1.110 mm x 820 mm x 820 mm
	Når spand er monteret	Under brug: 1.310 mm x 820 mm x 900 mm Under opbevaring: 1.110 mm x 820 mm x 820 mm
Kørehastighed	Fremad	1,5 eller 3,5 km/h
	Baglæns	1,0 km/h
Mindste drejeradius		1.075 mm (ydre diameter, når der drejes med forhjulet som akse)
Maksimal klatrekapacitet		12°
Maksimal lastkapacitet		130 kg
Bremse	Forhjul	Skivebremse med wire
	Baghjul	Fast med pedal
Dæk	Forhjul	Slangefrit dæk
	Baghjul	Selvlappende dæk
Mærkespænding		DC 18 V
Nettovægt	Når transportbakke er monteret	43,7 - 44,0 kg
	Når spand er monteret	40,7 - 41,0 kg

- På grund af vores kontinuerlige forsknings- og udviklingsprogrammer kan hosstående specifikationer blive ændret uden varsel.
- Specifikationer og akku kan variere fra land til land.
- Vægten kan være anderledes afhængigt af tilbehøret, inklusive akkuen. Den letteste og tungeste kombination i henhold til EPTA-procedure 01/2014 er vist i tabellen.

## Anvendelig akku og oplader

Akku	BL1815N / BL1820B / BL1830B / BL1840B / BL1850B / BL1860B
Oplader	DC18RC / DC18RD / DC18RE / DC18SD / DC18SE / DC18SF / DC18SH

- Nogle af de akkuer og opladere, der er angivet ovenfor, er muligvis ikke tilgængelige, afhængigt af hvilket område du bor i.

**⚠ ADVARSEL: Brug kun de akkuer og opladere, der er angivet ovenfor. Brug af andre akkuer og opladere kan medføre personskaade og/eller brand.**

**⚠ ADVARSEL: Brug ikke en ledningstilsluttet strømforsyning som fx en batteriadapter eller bærbar strømforsyningsenhed med denne maskine. Ledningen til en sådan strømforsyning kan muligvis hindre brugen og forårsage personskaade.**

## Symboler


Følgende viser de symboler, der muligvis anvendes til udstyret. Sørg for, at du forstår deres betydning før brugen.



Læs brugsanvisningen.



Kun for lande inden for EU  
På grund af tilstedeværelsen af farlige komponenter i udstyret kan affald af elektrisk og elektronisk udstyr, akkumulatører og batterier have en negativ indvirkning på miljøet og folkesundheden. Bortskaf ikke elektriske og elektroniske apparater eller batterier sammen med husholdningsaffald!  
I overensstemmelse med EF-direktiv om affaldshåndtering af elektrisk og elektronisk udstyr og om akkumulatører og batterier og affaldsakkumulatører og -batterier, og i overensstemmelse med national lovgivning, skal brugt elektrisk udstyr, batterier og akkumulatører opbevares separat og leveres til et separat indsamlingssted for kommunalt affald, der er etableret i henhold til bestemmelserne om miljøbeskyttelse. Dette er angivet ved symbolet på den krydsede skrældespand, der er placeret på udstyret.

	Træk armen helt ned, og kontroller, at transportbakken eller spanden er låst fast.
	Skift ikke retning på stejle skrænter.
	Læs og aflæs genstande på flad grund.
	Fordele genstande jævnt i transportbakken eller spanden.
	Denne maskine må ikke benyttes på offentlig vej.
	Brug ikke til at transportere personer.
	Udsæt ikke for regn.
	For at annullere biplyden skal du slippe afbryderknappen og trække bremsearmen.
	Undlad at se ind i strålen.
	Garanteret lydeffektniveau i henhold til EU-direktivet om maskiner til udendørs brug.
	Lydeffektniveau i henhold til Australiens NSW forordning om støjemission

## Tilsigtet anvendelse

Denne maskine er beregnet til at læsse og transportere genstande med batteridrevet hjælp.

## Støj

Det typiske A-vægtede støjniveau bestemt i overensstemmelse med EN62841-1: Lydtryksniveau ( $L_{pA}$ ): 70 dB (A) eller derunder Usikkerhed (K): 3 dB (A)

Støjniveauet under arbejdet kan overskride 80 dB (A).

**BEMÆRK:** De(n) angivne støjemissionsværdi(er) er målt i overensstemmelse med en standardtestmetode og kan anvendes til at sammenligne en maskine med en anden.

**BEMÆRK:** De(n) angivne støjemissionsværdi(er) kan også anvendes i en præliminær eksponeringsvurdering.

**⚠ ADVARSEL:** Bær høreværn.

**⚠ ADVARSEL:** Støjemissionen under den faktiske anvendelse af maskinen kan være forskellig fra de(n) angivne værdi(er), afhængigt af den måde hvorpå maskinen anvendes, især den type arbejdsemne der behandles.

**⚠ ADVARSEL:** Sørg for at identificere de sikkerhedsforskrifter til beskyttelse af operatøren, som er baseret på en vurdering af eksponering under de faktiske brugsforhold (med hensyntagen til alle dele i brugscyklussen, f.eks. de gange, hvor maskinen er slukket, og når den kører i tomgang i tilgift til afbrydertiden).

## Vibration

Vibrationens totalværdi (tre-aksial vektorsum) bestemt i overensstemmelse med EN62841-1: Arbejdstilstand: brug uden belastning  
Vibrationsemission ( $a_h$ ): 2,5 m/s<sup>2</sup> eller mindre  
Usikkerhed (K): 1,5 m/s<sup>2</sup>

**BEMÆRK:** De(n) angivne totalværdi(er) for vibration er målt i overensstemmelse med en standardtestmetode og kan anvendes til at sammenligne en maskine med en anden.

**BEMÆRK:** De(n) angivne totalværdi(er) for vibration kan også anvendes i en præliminær eksponeringsvurdering.

**⚠ ADVARSEL:** Vibrationsemissionen under den faktiske anvendelse af maskinen kan være forskellig fra de(n) angivne værdi(er), afhængigt af den måde hvorpå maskinen anvendes, især den type arbejdsemne der behandles.

**⚠ ADVARSEL:** Sørg for at identificere de sikkerhedsforskrifter til beskyttelse af operatøren, som er baseret på en vurdering af eksponering under de faktiske brugsforhold (med hensyntagen til alle dele i brugscyklussen, f.eks. de gange, hvor maskinen er slukket, og når den kører i tomgang i tilgift til afbrydertiden).

## EF-overensstemmelseserklæring

### Kun for lande i Europa

EF-overensstemmelseserklæringen er inkluderet som Bilag A i denne brugsanvisning.

## SIKKERHEDSADVARSLER

### Almindelige sikkerhedsregler for el-værktøj

**⚠ ADVARSEL:** Læs alle de sikkerhedsadvarsler, instruktioner, illustrationer og specifikationer, der følger med denne maskine. Forsømmelse af at overholde alle nedenstående instruktioner kan medføre elektrisk stød, brand og/eller alvorlig personskade.

### Gem alle advarsler og instruktioner til fremtidig reference.

Ordet "el-værktøj" i advarslerne henviser til det netforsynede (netledning) el-værktøj eller batteriforsynede (akku) el-værktøj.

### Sikkerhedsadvarsler for batteridrevet trillebør

1. Bær altid skridsikkert og beskyttende fodtøj ved brug af maskinen. Skridsikre lukkede sikkerhedsstøvler og -sko mindsker risikoen for personskade.

2. **Inspicer transportvejen før transport af genstande/materialer.** Hvis du gør dig selv bekendt med transportvejen og sikrer dig, at den er bred nok til at navigere maskinen sikkert under belastning, hjælper det med til at reducere risikoen for at miste kontrollen med maskinen.
  3. **Udvis den største forsigtighed på glat, løst og ustabil terræn.** Våde og glatte overflader, for eksempel våde græsplæner, sne eller is, samt løst og ustabil terræn, for eksempel sand- eller grusoverflader, kan medføre, at maskinen mister vejgrebet, og kan forringe styring, bremsning og stabilitet.
  4. **Brug ikke maskinen på meget stejle skrænter.** Dette mindsker risikoen for, at du mister kontrollen, glider og falder, hvilket kan medføre personskade. Skrænter, der er stejlere end den maksimale anbefalede hældning, og sidehældninger kan forøge risikoen for ustabilitet og kan forringe muligheden for at stoppe på sikker vis.
  5. **Ved arbejde på skrænter skal du altid være sikker på dit fodfæste, altid arbejde på tværs af retningen af skrænten, aldrig op eller ned, og udvis den største agtpågivenhed, når du skifter retning.** Dette mindsker risikoen for, at du mister kontrollen, glider og falder, hvilket kan medføre personskade.
  6. **Når det er muligt, skal du bruge jævne områder til at stoppe, læsse og aflæsse og aldrig lade maskinen stå uovervåget på en skrænt.** Maskinen er mere ustabil, når den står på en skrænt, end når den står på en jævn overflade.
  7. **Når du stopper på skrænter, skal du vende maskinen op ad bakke eller ned ad bakke og blokere ikke-bremsede hjul.** Maskinen er mindre stabil, når den står på tværs af en skrænt. Ikke-bremsede hjul, især castorhjul, kan dreje og rulle ned ad bakke, også selvom parkeringsbremsen er aktiveret på forhjulet.
  8. **Når maskinen efterlades uden opsyn, skal du aktivere parkeringsbremsen, når maskinen står på et sted, hvor det er sikkert at stoppe.** Parkeringsbremsen forhindrer uønsket bevægelse af forhjulet og kan forbedre stabiliteten.
  9. **Sørg for, at ramper er rene, stærke og sikre.** For at reducere risikoen for personskade skal alle ramper være fri for løse rester og stærke nok til at modstå vægten af de forventede læs, der skal flyttes hen over dem. De skal have passende understøtning nedenunder og til begge sider for at eliminere nedbøjning og sidelæns bevægelse under belastning. Alle ramper skal være brede nok til at give sikkert fodfæste, når læs transporteres over dem.
  10. **Sørg for, at tragten er nede, og at tragte og læsseporte er forsvarligt fastgjort, når du ikke aflæsser læsset, og når maskinen opbevares.** Ikke-fastgjorte tragte eller læsseporte kan åbnes eller flytte sig uventet.
  11. **Undgå udvidelsesramper uden fodlister eller rækværk over åbne områder.** Hævede åbne områder og åbne grøfter skaber risiko for fald ved et uheld og øger risikoen for alvorlig personskade. Brug fodlister eller rækværk på ramper over åbne områder for at undgå, at maskinen kører af rampen.
  12. **Sørg for, at alle låseskruer er strammet forsvarligt før brug.** Låseskruer på baghjulene samt den åbne transportbakkes for- og sidevægge skal være fastgjort for at forhindre, at disse justerbare dele af maskinen bevæger sig uønsket.
  13. **Brug aldrig maskinen i overlæsset tilstand.** Sørg for, at maskinen har den rigtige nominelle kapacitet til de genstande eller materialer, der skal transporteres. For store læs kan gøre det vanskeligere at manøvrere og stoppe maskinen, forøger stoptiden og -afstanden og øger risikoen for ustabilitet.
  14. **Brug aldrig maskinen med for højt læs.** Stabling af materiale over kanten eller siderne af bakken kan bringe maskinen ukontrollabelt ud af balance og kontrol.
  15. **Brug beholdere og bæltter til at fastgøre læs.** Løse og/eller usikre læs har større sandsynlighed for at flytte sig, hvilket kan medføre tab af stabilitet og kontrol.
  16. **Oprethold altid et fast greb på håndtagene.** Tab af kontrollen kan øge risikoen for personskade.
  17. **Fjern sikkerhedsnøglen, når den ikke er i brug.** Sikkerhedsnøglen forhindrer uønsket brug af maskinen under motorkraft, for eksempel af børn eller andre ikke-oplærte eller uautoriserede personer. Uden nøglen kan den elektriske strøm ikke slås "til".
  18. **Denne maskine må ikke benyttes på offentlige veje.** Brug af trillebøren på offentlig vej er ulovligt og kan medføre bøder fra de lokale myndigheder, ud over at det kan medføre personskade.
  19. **Brug en solid, skridsikker plade med funktion til forhindring af afmontering ved læsning og/eller aflæsning af denne maskine til transport, eller når maskinen flyttes mellem forskellige højder.** Sørg for, at pladens hældning ikke overskrider 12°, og betjen maskinen langsomt og forsigtigt. Ustabil og hurtig betjening kan medføre, at den vælter og/eller falder.
  20. **Undlad at adskille, reparere eller ændre denne maskine.**
- Brug**
1. **Ved brug af maskinen skal du stå bag ved maskinen og holde fast i håndtagene.**
  2. **Brug ikke maskinen, mens du kører på maskinen.**
  3. **Lad ikke andre køre på maskinen.**
  4. **Når du bruger maskinen i bakgear og går baglæns, skal du se bag dig og være forsigtig med ikke at glide eller falde.**
  5. **Brug ikke maskinen ved dårlig sigtbarhed, da der er risiko for at ramme forhindringer.**
  6. **Ved brug af maskinen på ujævn grund skal du reducere hastigheden og udvise forsigtighed.**
  7. **Ved brug af maskinen skal du undgå blød grund for at forhindre, at den vælter, fordi vejssiden skrider.**
  8. **Brug ikke maskinen på opadgående skrænter, der er stejlere end 12°.**
  9. **Stop maskinen på flad grund, hvis du opdager noget unormalt. Før inspektion af maskinen skal du trække bremsearmen og låse bremsen og derefter slukke for strømmen.**

10. Før du bruger maskinen, skal du sikre dig, at låsearmen er trukket helt ned og fastgjort helt. Hvis låsen ikke er komplet, er der risiko for uheld eller personskade, da transportbakken eller spanden kan vippe, og genstandene falde ud, når du kører ned ad bakke.
11. Vær påpasselig med ikke at vikle ledningerne ind i læsset eller forhindringer.

#### Brug på skrænter

1. Kør ikke på tværs af skrænter.
2. Sørg for at sænke hastigheden og udvis forsigtighed.
3. Udvis forsigtighed, når maskinen startes eller stoppes på skrænter.
4. Da læs bliver mindre stabile på skrænter, skal du fastgøre læsset med reb.
5. Da maskinen kan blive ustabil afhængigt af vejforholdene, skal du holde læsset på et minimum.
6. Da udsigten er blokeret på skrænter, skal du holde højden af læsset på et minimum.
7. Parker aldrig maskinen på stejle skrænter. Parker maskinen på flad grund, træk bremsearmen, og lås bremsen, og sluk derefter for strømmen.
8. Skift ikke retning eller hastighedstilstand på stejle skrænter.
9. Frigør ikke afbryderknappen på opadgående skrænter. Maskinen kan rulle baglæns og forårsage en ulykke.
10. Sørg for, at den resterende batteriladning er tilstrækkelig, før brug på skrænter. Hvis den resterende batteriladning er for lav, skal du oplade batteriet eller udskifte det med et, der er opladet.

#### Læsning af genstande

1. Undlad at overlæsse genstande. Ved læsning af genstande skal du sørge for at følge instruktionerne og belastningsgrænserne i brugsanvisningen.
2. Fastgør genstandene solidt med reb.
3. Læs genstandene i transportbakken eller spanden. Hvis genstandene stikker ud fra transportbakken eller spanden, er der risiko for ulykker, hvis genstande falder ud eller rammer hindringer som f.eks. vægge.
4. Sørg for, at de læssede genstande er under øjenhøjde. Hvis læsset er for højt, er det farligt, fordi udsynet er blokeret. Desuden er der risiko for at vælte samt for personskade, fordi læsset risikerer at komme ud af balance.
5. Fordel genstandene jævnt i transportbakken eller spanden. Hvis genstandene er ujævnt fordelt, er der risiko for at vælte samt for personskade, fordi læsset risikerer at komme ud af balance.
6. Før læsning af genstandene eller brug af maskinen skal du sikre dig, at låsearmen er trukket helt ned og fastgjort helt.
7. Sørg for at læsse tunge genstande først for at opretholde balancen.
8. Træk ikke for- og sideskinnerne ud på stejle skrænter. Træk sideskinnerne ud ved læsning af lette genstande.

9. Når for- og sideskinnerne trækkes ud, må du ikke trække dem ud over udvidelsesgrænsen. Sørg for at trække sideskinnerne ud, så højre og venstre side har samme længde, og læs genstandene jævnt.
10. Læs og aflæs genstande på flad grund.
11. Når transportbakken eller spanden løftes og vippes, skal du holde fast i håndtagene og rammen og arbejde i en stabil arbejdsstilling.

#### Vedligeholdelse

1. Sørg altid for at parkere maskinen på flad grund og låse bremsearmen før opbevaring eller forsøg på at udføre inspektioner eller vedligeholdelse.

## GEM DENNE BRUGSANVISNING.

**⚠ ADVARSEL:** LAD IKKE bekvemmelighed eller kendskab til produktet (opnået gennem gentagen brug) forhindre, at sikkerhedsforskrifterne for produktet nøje overholdes. MISBRUG eller forsømmelse af at følge de i denne brugsvejledning givne sikkerhedsforskrifter kan føre til, at De kommer alvorligt til skade.

### Vigtige sikkerhedsinstruktioner for akkuen

1. Læs alle instruktioner og advarselsmærkater på (1) akku-opladeren, (2) akkuen og (3) produktet, som anvender akku.
2. Adskil eller ændr ikke akkuen. Det kan muligvis resultere i en brand, overdreven varme eller eksplosion.
3. Hold straks op med anvendelsen, hvis brugstiden er blevet stærkt afkortet. Fortsat anvendelse kan resultere i risiko for overophedning, forbrændinger og endog eksplosion.
4. Hvis De har fået elektrolytvæske i øjnene, skal De straks skylle den ud med rent vand og derefter øjeblikkeligt søge lægehjælp. I modsat fald kan De miste synet.
5. Vær påpasselig med ikke at komme til at kortslutte akkuen:
  - (1) Rør ikke ved terminalerne med noget ledende materiale.
  - (2) Undgå at opbevare akkuen i en beholder sammen med andre genstande af metal, for eksempel søm, mønter og lignende.
  - (3) Udsæt ikke akkuen for vand eller regn. Kortslutning af akkuen kan forårsage en kraftig øgning af strømmen, overophedning, mulige forbrændinger og endog værktøjstop.
6. Opbevar og brug ikke maskinen og akkuen på steder, hvor temperaturen muligvis kan nå eller overstige 50 °C.
7. Lad være med at brænde akkuen, selv ikke i tilfælde, hvor den har lidt alvorlig skade eller er fuldstændig udtjent. Akkuen kan eksplodere, hvis man forsøger at brænde den.
8. Slå ikke søm i, skær ikke i, knus, kast, tab ikke akkuen og stød ikke akkuen mod en hård genstand. Sådant adfærd kan muligvis resultere i en brand, overdreven varme eller eksplosion.
9. Anvend ikke en beskadiget akku.



10. **De indbyggede litium-ion-batterier er underlagt lovkrav vedrørende farligt gods.**  
Ved kommerciel transport, f.eks. af tredjeparts transportselskaber, skal særlige krav til forpakning og mærkning overholdes.  
Ved forberedelse af udstyret til forsendelse skal du kontakte en ekspert i farligt gods. Overhold også eventuel mere detaljeret national lovgivning.  
Tape eller tildæk åbne kontakter, og pak batteriet på en måde, så det ikke kan flytte sig rundt i pakningen.
11. **Når akkuen bortskaffes, skal du fjerne den fra maskinen og bortskaffe den på et sikkert sted. Følg de lokale love vedrørende bortskaffelsen af batterier.**
12. **Brug kun batterierne med de produkter, som Makita specificerer.** Hvis batterierne installeres i ikke-kompatible produkter, kan det medføre brand, kraftig varme, eksplosion eller udsivning af elektrolyt.
13. **Hvis maskinen ikke skal bruges i længere tid ad gangen, skal du fjerne batteriet fra maskinen.**
14. **Akkuen kan muligvis under og efter brug være varm, hvilket kan forårsage forbrændinger eller lavtemperaturforbrændinger. Vær påpasselig med håndtering af varme akkuer.**
15. **Rør ikke terminalen på maskinen straks efter brug, da den bliver varm nok til at forårsage forbrændinger.**
16. **Sørg for at spåner, støv eller jord ikke sætter sig fast inde i terminalerne, hullerne og rillerne på akkuen.** Det kan muligvis medføre dårlig ydelse eller nedbrud af maskinen eller akkuen.
17. **Medmindre maskinen understøtter brugen i nærheden af elektriske højspændingsledninger, skal du ikke anvende akkuen i nærheden af elektriske højspændingsledninger.** Det kan muligvis medføre funktionsfejl på eller nedbrud af maskinen eller akkuen.
18. **Opbevar batteriet utilgængeligt for børn.**

## GEM DENNE BRUGSANVISNING.

**⚠FORSIGTIG:** Brug kun originale batterier fra Makita. Brug af uoriginale Makita-batterier, eller batterier som er blevet ændret, kan muligvis medføre brud på batteriet, hvilket kan forårsage brand, personskade eller beskadigelse. Det ugyldiggør også Makita-garantien for Makita-maskinen og opladeren.

## Tips til opnåelse af maksimal akku-levetid

1. **Oplad akkuen, inden den er helt afladet. Stop altid værktøjet, og oplad akkuen, hvis De bemærker, at værktøjeffekten er aftagende.**
2. **Genoplad aldrig en fuldt opladet akku. Overopladning vil afkorte akkuens levetid.**
3. **Oplad akkuen ved stuetemperatur ved 10 °C - 40 °C. Lad altid en varm akku få tid til at køle af, inden den oplades.**
4. **Når du ikke anvender akkuen, skal du fjerne den fra maskinen eller opladeren.**
5. **Oplad akkuen, hvis De ikke skal bruge den i længere tid (mere end seks måneder).**

## BESKRIVELSE AF DELENE

### Beskrivelse af dele (når transportbakken er monteret)

► Fig.1

1	Kontrolpanel	2	Håndtag
3	Afbryderknop	4	Batterirum
5	Bremsearm til forhjul	6	Baghjul
7	Bremsepedal til baghjul	8	Lampe
9	Forhjul	10	Transportbakke

### Beskrivelse af dele (når spanden er monteret)

► Fig.2

1	Kontrolpanel	2	Håndtag
3	Afbryderknop	4	Batterirum
5	Bremsearm til forhjul	6	Baghjul
7	Bremsepedal til baghjul	8	Lampe
9	Forhjul	10	Spand

## SAMLING

**⚠FORSIGTIG:** Sørg altid for, at maskinen er slukket, og at akkuen er taget ud, før du udfører nogen form for arbejde på maskinen.

### Samling af hovedenhed

1. Tag basisenheden og håndtagene ud af æsken.

► Fig.3

**BEMÆRKNING:** Sørg for at tage basisenheden og håndtagene ud sammen, så der ikke anvendes overdreven kraft på ledningerne.

2. Placer indpakningsmaterialet under basisenhedens bagende.

► Fig.4: 1. Indpakningsmateriale

3. Sæt baghjulene i rammen.

► Fig.5: 1. Baghjul

► Fig.6: 1. Baghjul

**BEMÆRK:** Støttebenene kan monteres i stedet for baghjulene.

4. Monter fjederskiven og spændeskiven på den korte sekskantbolt, og tilspænd dem derefter med skruenøglen, der medfølger i pakken.

► Fig.7: 1. Kort sekskantbolt 2. Fjederskive 3. Spændeskive

► Fig.8

**BEMÆRKNING:** Sørg for at anvende de korte sekskantbolte til at tilspænde baghjulene.

**BEMÆRKNING:** Fastgør baghjulene i samme position på begge sider.

5. Løft håndtagene, og indsæt dem derefter i basisenheden.

► Fig.9

**BEMÆRKNING:** Lad ikke ledningerne komme ind i området "A" på figuren. Lange genstande kan blive viklet ind i ledningerne og forårsage ulykker.

**BEMÆRKNING:** Anvend ikke overdreven magt på ledningerne, når håndtagene løftes og indsættes.

**BEMÆRKNING:** Sørg for at løfte håndtagene med begge hænder.

6. Åbn transportrammen foran.

► Fig.10: 1. Transportramme

7. Fold håndtagene ud, og indsæt de lange sekskantbolte i basisenheden, og tilspænd derefter møtrikkerne med skruenøglen, der medfølger i pakken.

► Fig.11: 1. Lang sekskantbolt

8. Tilspænd skulderboltene bagfra ved hjælp af skruenøglen, der medfølger i pakken.

► Fig.12: 1. Skulderbolt

9. Tilspænd de korte sekskantbolte fra begge sider ved hjælp af skruenøglen, der medfølger i pakken, for at fastgøre håndtagene.

► Fig.13: 1. Kort sekskantbolt

**BEMÆRKNING:** Brug ikke overdreven magt for at tilspænde de korte sekskantbolte. Tilspænd dem med passende kraft, så håndtagene er fastgjort stabilt.

**BEMÆRKNING:** Undlad at klemme ledningerne med boltene.

10. Fastgør ledningerne med klemmerne.

► Fig.14: 1. Klemme

11. Fold transportrammen sammen.

► Fig.15: 1. Transportramme

12. Tryk på låseknappen, idet der trækkes i bremsearmen, for at låse bremsen.

► Fig.16: 1. Låseknop 2. Bremsearm

**⚠FORSIGTIG:** Hvis baghjulene er monteret, skal du trykke på bremsepedalen til baghjulet for at låse baghjulet.

13. Monter krogen på låsen til transportbakken, og træk derefter låsearmen ned for at låse transportbakken fast.

► Fig.17: 1. Lås på transportbakke 2. Låsearm

**BEMÆRKNING:** Sørg for, at låsearmen er strammet forsvarligt.

**BEMÆRKNING:** Undlad at klemme ledningerne med låsearmen.

**BEMÆRK:** Hvis du monterer støttebenene i stedet for baghjulene, skal du fjerne baghjulene fra rammerne og derefter montere støttebenene på rammerne.

► Fig.18: 1. Baghjul 2. Støtteben

## Samling og montering af transportbakken

### Ekstraudstyr

1. Tag transportbakken ud af æsken, monter sideskinnerne på basisrammen, og tilspænd derefter fingermøtrikkerne for at fastgøre skinnerne.

► Fig.19: 1. Fingermøtrik

2. Sæt transportbakken på basisenheden, og indsæt derefter sekskantboltene og spændeskiverne i rammerne oppefra. Stram spændeskiverne og fjederskiverne samt vingemøtrikkerne nedefra for at fastgøre transportbakken.

► Fig.20: 1. Lang sekskantbolt 2. Kort sekskantbolt 3. Spændeskive 4. Fjederskive 5. Vingemøtrik

**BEMÆRKNING:** Brug de lange bolte til forenden og de korte bolte til bagenden.

## Montering af spanden

### Ekstraudstyr

Placer spanden på basisenheden, indsæt sekskantboltene i rammerne, og tilspænd derefter spændeskiverne og fjederskiverne samt vingemøtrikkerne fra bunden for at fastgøre spanden.

► Fig.21: 1. Sekskantbolt 2. Spændeskive 3. Fjederskive 4. Vingemøtrik

## FUNKTIONSBESKRIVELSE

### Isætning eller fjernelse af akkuen

**⚠FORSIGTIG:** Sluk altid for maskinen, før du monterer eller fjerner akkuen.

**⚠FORSIGTIG:** Sørg for, at akku-dækslet er låst inden brugen. Ellers kan mudder, snavs eller vand øve skade på produktet eller akkuen.

**⚠FORSIGTIG:** Sæt altid akkuen helt ind, indtil den røde indikator ikke er synlig. Ellers kan den falde ud af maskinen ved et uheld og forårsage personskade på dig eller personer i nærheden.

**⚠FORSIGTIG:** Installer ikke akkuen med magt. Hvis akkuen ikke glider nemt ind, betyder det, at den ikke sættes korrekt ind.

**⚠FORSIGTIG:** Anvend ikke akkuen, hvis den er overophedet. Hvis akkuen anvendes, når den er overophedet, stopper maskinen automatisk, før der udsendes en kort biplyd, hvilket kan medføre en personskade.

### Montering af akkuen

1. Drej låsearmen, og åbn derefter dækslet til batterirummet.

► Fig.22: 1. Låsearm 2. Dæksel

2. Juster tungen på akkuen med rillen i batterirummet, og skub derefter akkuen, indtil den låses på plads med et lille klik. Hvis du kan se den røde indikator øverst på knappen, er akkuen ikke låst helt fast.

► Fig.23: 1. Akku

- Sæt låsenøglen så langt ind, som den kan komme, på det sted, der vises på illustrationen.

► **Fig.24:** 1. Låsenøgle

**BEMÆRK:** Hvis låsenøglen ikke er sat helt i, fungerer maskinen ikke.

- Luk dækslet til batterirummet, og drej derefter låsearmen.

► **Fig.25:** 1. Låsearm 2. Dæksel

## Fjernelse af akkuen

- Drej låsearmen, og åbn derefter dækslet til batterirummet.
  - Træk akkuen ud af batterirummet, idet der skubbes på knappen foran på akkuen.
- **Fig.26:** 1. Knap
- Træk låsenøglen ud.
  - Luk dækslet til batterirummet, og drej derefter låsearmen.

## Beskyttelsessystem til maskinen/batteriet

Maskinen er udstyret med et beskyttelsessystem til maskinen/batteriet. Dette system afbryder automatisk strømmen til motoren for at forlænge maskinens og batteriets levetid.

Maskinen stopper automatisk under brugen, hvis maskinen eller akkuen udsættes for et af følgende forhold. Der udsendes en kort biplyd, før maskinen stopper automatisk. Akku-indikatorerne og LED-indikatorerne blinker, når biplyden udsendes.

## Overbelastningsbeskyttelse

Hvis maskinen bruges på en måde, der får den til at trække en unormalt høj strøm, stopper maskinen automatisk uden indikation. I denne situation skal du slukke for maskinen og fjerne årsagen til overbelastningen og derefter tænde for maskinen for at genstarte den.

## Beskyttelse mod overophedning

Hvis maskinen bliver overophedet, stopper maskinen automatisk. Lad maskinen køle ned, før der tændes for maskinen igen. Beskyttelsen mod overophedning vil sandsynligvis aktiveres i et miljø med høj temperatur.

## Beskyttelse mod afladning

Hvis batteriladningen bliver lav, stopper maskinen automatisk. Hvis maskinen ikke fungerer, selvom kontakterne betjenes, skal du tage akkuen ud og oplade den.

## Skift af akku

► **Fig.27:** 1. Kontakt til valg af batteri

Der kan indsættes op til to akkuer i batterirummet, selvom maskinen kun benytter én akku under drift. Før maskinen betjenes, skal du vælge den akku, der skal benyttes til drift, ved at trykke på nummeret på kontakten til valg af batteri.





**BEMÆRKNING:** Hvis der kun er indsat én akku i batterirummet, skal du sørge for at vælge det batterirum, hvor akkuen er indsat.

## Indikation af den resterende batteriladning på batterirummet

**⚠FORSIGTIG:** Før du kontrollerer de resterende batteriladninger eller skifter akku, skal du sørge for at stoppe maskinen.

► **Fig.28:** 1. Batteriindikator 2. Kontrolknap

Tryk på kontrolknappen for at få vist de resterende batteriladning. Batteriindikatorerne svarer til hvert enkelt batteri.

Akku-indikatorstatus		Resterende batteriladning
Tændt	Slukket	
		50 % - 100 %
		20 % - 50 %
		0 % - 20 %
		Batteri ikke indsat

**⚠FORSIGTIG:** Når batteriladningen bliver lav, udsendes der en kort biplyd. Hvis du fortsætter med at bruge maskinen ved lav batteriladning, udsendes der en lang biplyd, og maskinen stopper automatisk. Når du hører den korte biplyd, skal du trække bremsearmen og låse bremsen og derefter udskifte akkuen med en, der er ladet op, eller oplade akkuen. Hvis den resterende batteriladning løber ud, stopper maskinen pludselig automatisk, hvilket kan medføre en personskaade.

**BEMÆRK:** Hvis du fortsætter med at trykke på afbryderknappen, selvom du hører den korte biplyd, stopper maskinen automatisk. Når maskinen er stoppet automatisk, fortsætter biplyden, og støttebremsen (elektrisk bremse) aktiveres. Hvis du vil annullere biplyden og frigøre støttebremsen, skal du trække i bremsearmen og frigøre afbryderknappen. Skub ikke maskinen med magt uden at frigøre støttebremsen. Når du har frigjort støttebremsen, kan du se, hvilket batteribeskyttelsessystem der fungerer, ved at tjekke akku-indikatorens status.

► **Fig.29:** 1. Lyser 2. Blinker 3. Slukket 4. Beskyttelse mod overophedning 5. Beskyttelse mod for kraftig afladning 6. Beskyttelse mod overbelastning

**⚠FORSIGTIG:** Hvis biplyden udsendes, mens du kører på en skrænt, eller maskinen stopper automatisk på en skrænt, skal du flytte maskinen til et sikkert sted, låse bremsen og derefter udskifte akkuen med en, der er ladet op, eller oplade akkuen.

Hvis belastningen er stor, og biplyden udsendes, mens der arbejdes på en skrænt, eller maskinen stopper automatisk på en skrænt, må du ikke flytte maskinen med magt. Lås bremsen, vær opmærksom på sikkerheden, og udskift akkuen med en, der er ladet op, og flyt derefter maskinen til et sikkert sted. Reducer belastningen, før du bruger maskinen igen.

**BEMÆRK:** Du kan kontrollere den resterende batteriladning, selvom låsenøglen ikke er indsat.

## Indikation af den resterende batteriladning

**Kun til akkuer med indikatoren**

► Fig.30: 1. Indikatorlamper 2. Kontrolknop

Tryk på kontrolknappen på akkuen for at få vist den resterende batteriladning. Indikatorlampen lyser i nogle sekunder.

Indikatorlamper			Resterende ladning
Tændt	Slukket	Blinker	
■	□	◐	75% til 100%
■	■	■	50% til 75%
■	■	□	25% til 50%
■	□	□	0% til 25%
◐	□	□	Genoplad batteriet.
■	■	□	Der er muligvis fejl i batteriet.
□	□	■	

**BEMÆRK:** Afhængigt af brugsforholdene og den omgivende temperatur kan indikationen afvige en smule fra den faktiske ladning.

**BEMÆRK:** Den første indikatorlampe (længst mod venstre) vil blinke, når batteribeskyttelsessystemet aktiveres.

## Kontrolpanel

► Fig.31: 1. Tænd/sluk-knap 2. Fremad-/tilbageknap 3. Hastighedsknap

Tryk på tænd/sluk-knappen i nogle sekunder for at tænde for strømmen. Tryk på fremad-/tilbageknappen for at skifte mellem fremadgående tilstand og baktillstand. Tryk på hastighedsknappen for at skifte mellem lav hastighed og høj hastighed. Når der tændes for knappen, indstilles fremadgående tilstand og lav hastighed. Tryk på tænd/sluk-knappen i nogle sekunder for at slukke for strømmen.

**BEMÆRK:** Fremad-/tilbageknappen er ikke tilgængelig, mens der trykkes på afbryderknappen.

**BEMÆRK:** Der udsendes en kort biplyd, når maskinen bruges i baktillstand.

**BEMÆRK:** Hastighedsknappen er ikke tilgængelig, når maskinen bruges i baktillstand.

## Skifte- og bremsehandling

**⚠ADVARSEL:** Før akkuen sættes i maskinen, skal du altid kontrollere, at afbryderknappen fungerer korrekt og vender tilbage til "FRA"-stillingen, når du slipper den.

Tryk på afbryderknappen for at starte maskinen. For at stoppe maskinen skal du slippe afbryderknappen og trække bremsearmen. For at låse bremsearmen skal du trykke på låseknapen, mens du trækker i bremsearmen. Træk bremsearmen for at frigøre låsen.

► Fig.32: 1. Afbryderknap

► Fig.33: 1. Låseknap 2. Bremsearm

## Baghjulsbremse

Baghjulene er udstyret med bremses. Tryk bremsepedalerne fremad for at låse bremserne. For at frigøre bremserne skal du trykke bremsepedalerne bagud.

► Fig.34: 1. Pedal

## Tænding af forlamperne

Tryk på lampeknappen på batterirummet for at tænde lamperne. Tryk på lampeknappen igen for at slukke lamperne.

► Fig.35: 1. Lampeknop 2. Lampe

**BEMÆRK:** Lamperne slukkes, hvis maskinen efterlades uden opsyn i cirka 10 minutter.

**BEMÆRK:** Lamperne slukkes, når der slukkes for strømmen.

**BEMÆRK:** Du kan tænde for lamperne, selvom låsenøglen ikke er indsat.

## Indstilling af håndtagets højde

Fjern de korte sekskantbolte og skulderboltene ved hjælp af skruenøglen, der medfølger i pakken, og juster derefter højden af håndtaget. Højden kan indstilles til tre niveauer. Tilspænd skulderboltene og de korte sekskantbolte for at fastgøre håndtaget.

► Fig.36: 1. Kort sekskantbolt 2. Skulderbolt

**BEMÆRKNING:** Fastgør venstre og højre håndtag i samme højde.

**BEMÆRKNING:** Brug ikke overdreven magt for at tilspænde de korte sekskantbolte. Tilspænd dem med passende kraft, så håndtagene er fastgjort stabilt.

**BEMÆRKNING:** Undlad at klemme ledningerne med boltene.

## Justering af transportbakkens bredde

Løsn de 4 fingermøtrikker, og skub derefter sideskinnerne. Tilspænd fingermøtrikkerne for at fastgøre sideskinnerne.

► **Fig.37:** 1. Fingermøtrik 2. Skinner

**⚠FORSIGTIG:** Undlad at skubbe skinnerne ud over grænsemærket.

► **Fig.38**

## ANVENDELSE

### Betjening af maskinen

**BEMÆRKNING:** Forhjulet drives af batterikraft i denne maskine. Brug maskinen til at hjælpe med bæreopgaver.

**BEMÆRKNING:** Sørg for at sætte låsenøglen i batterirummet før brugen. Hvis låsenøglen ikke er indsat, lyder der en kort biplyd, når du trykker på afbryderknappen. Biplyden stoppes ved at slippe afbryderknappen og trække bremsearmen.

Kontroller, at bremsearmen fungerer korrekt, før maskinen betjenes.

► **Fig.39:** 1. Bremsearm

**⚠ADVARSEL:** Hvis bremsearmen når håndtaget, når du trækker armen helt, fungerer bremsen ikke korrekt. Juster bremsen, eller kontakt det lokale Makita servicecenter for reparation.

1. Vælg akkuen med kontakten til valg af batteri.  
2. Tryk på tænd/sluk-knappen på kontrolpanelet i nogle sekunder for at tænde for strømmen.

► **Fig.40:** 1. Tænd/sluk-knap

3. Træk bremsearmen for at frigøre låsningen af bremsearmen.

► **Fig.41:** 1. Låseknop 2. Bremsearm

**BEMÆRK:** Frigør baghjulsbremsen, hvis baghjulene er monteret.

4. Hold fast i håndtagene med begge hænder.

► **Fig.42**

5. Tryk på afbryderknappen.

► **Fig.43:** 1. Afbryderknop

## Læsning af genstande

**⚠FORSIGTIG:** Før læsning af genstande på maskinen skal du sikre dig, at der er slukket for strømmen, og at bremsearmen er låst.

**⚠FORSIGTIG:** Hvis baghjulene er monteret, skal du kontrollere, at baghjulsbremsen er låst, før du lægger genstande på maskinen.

**⚠FORSIGTIG:** Før der læses genstande på maskinen, skal du sikre dig, at transportbakken eller spanden er låst fast.

**⚠FORSIGTIG:** Sørg for at læsse genstandene inden for transportbakken eller spanden. Hvis genstande stikker ud over transportbakken eller spanden, kan de falde af eller bryde sammen, hvis de rammer forhindringer.

► **Fig.44**

**⚠FORSIGTIG:** Sørg for at læsse genstande, så de er under øjenhøjde. Hvis læsset er for højt, er det farligt, fordi udsynet er blokeret. Desuden er der risiko for at vælte samt for personskade, fordi læsset risikerer at komme ud af balance.

► **Fig.45**

Når genstande læsses på transportbakken, skal genstandene fastgøres med reb og holdes nede med rebkroge.

► **Fig.46**

### Aflæsning af genstande

**⚠FORSIGTIG:** Løft transportbakken eller spanden på flad og stabil grund. Betjening på ustabil grund kan medføre en ulykke eller personskade.

Du kan aflæsse genstandene ved at løfte og vippe transportbakken eller spanden.

1. Stop maskinen, og lås derefter bremsene.

**BEMÆRKNING:** Det anbefales at blokere forhjulet for at stabilisere maskinen.

2. Slip låsearmen.

3. Stå ved siden af maskinen, hold håndtaget med den ene hånd, og løft og vip derefter transportbakken eller spanden ved at vippe transportrammen op med den anden hånd.

► **Fig.47**

**⚠FORSIGTIG:** Hold godt fast i håndtaget og transportrammen, og arbejd i en stabil arbejdsstilling.

**⚠FORSIGTIG:** Hold læsset til et minimum. Hvis læsset er for stort, må du ikke prøve at løfte transportbakken. Reducer læsset, og løft derefter transportbakken.

**⚠FORSIGTIG:** Når du har aflæsset genstandene, skal du sørge for at låse transportbakken eller spanden.

# VEDLIGEHOOLDELSE

**⚠️FORSIGTIG:** Sørg altid for at parkere maskinen på flad grund og låse bremsearmen før opbevaring eller forsøg på at udføre inspektioner eller vedligeholdelse.

**⚠️FORSIGTIG:** Hvis baghjulene er monteret, skal du kontrollere, at baghjulsbremsen er låst, før opbevaring, inspektion eller vedligeholdelse.

**⚠️FORSIGTIG:** Sørg altid for, at låsenøglen og akkuen er taget ud af maskinen, før opbevaring, inspektion eller vedligeholdelse.

**⚠️FORSIGTIG:** Fjern altid låsenøglen, når maskinen ikke er i brug. Opbevar låsenøglen på et sikkert sted, der er utilgængeligt for børn.

## Periodisk kontrol

- Kontroller, at boltene og møtrikkerne er fast tilspændt.  
▶ **Fig.48**
- Kontroller, at transportbakken er låst fast, når låsearmen er trukket helt ned.  
▶ **Fig.49:** 1. Lås på transportbakke 2. Låsearm
- Kontroller, at bremsearmen fungerer korrekt.  
▶ **Fig.50:** 1. Bremsearm

**⚠️ADVARSEL:** Hvis bremsearmen når håndtaget, når du trækker armen helt, fungerer bremsen ikke korrekt. Juster bremsen, eller kontakt det lokale Makita servicecenter for reparation.

- Se efter, at forhjulet ikke er beskadiget eller fladt. Kontroller, at der er tilstrækkelig luft i dækket på forhjulet.

## Rengøring af maskinen

**BEMÆRKNING:** Anvend aldrig benzin, rensebenzin, fortynder, alkohol og lignende. Det kan medføre misfarvning, deformation eller revner.

**BEMÆRKNING:** Hæld vandet under transportbakken eller spanden, når maskinen rengøres med rindende vand. Brug ikke en højtryksrenser til rengøring.

Fjern mudder, snavs og lignende fra maskinen. Rengør maskinen med rindende vand. Aftør maskinen med en tør klud efter rengøringen.

## Opbevaring

Fjern låsenøglen. Opbevar maskinen på et sikkert sted, der er utilgængeligt for børn.

Ved opbevaring af maskinen kan håndtagene drejes fremad. Fjern de korte sekskantbolte og skulderboltene ved hjælp af skrueøglen, der medfølger i pakken. Drej håndtagene mod ydersiden, og drej derefter håndtagene fremad. Tilspænd skulderboltene og de korte sekskantbolte for at fastgøre håndtagene.

- ▶ **Fig.51:** 1. Skulderbolt 2. Kort sekskantbolt

**BEMÆRKNING:** Brug ikke overdreven magt for at tilspænde de korte sekskantbolte. Tilspænd dem med passende kraft, så håndtagene er fastgjort stabilt.

**BEMÆRKNING:** Undlad at klemme ledningerne med boltene.

## Justering af bremsen

**⚠️FORSIGTIG:** Hvis baghjulene er monteret, skal du sørge for at låse baghjulsbremsen, før du justerer bremsen.

1. Fjern transportbakken eller spanden, og åbn derefter transportrammen.  
▶ **Fig.52:** 1. Transportramme
2. Træk bremsearmen for at frigøre låseknappen på bremsearmen.  
▶ **Fig.53:** 1. Låseknop 2. Bremsearm
3. Løsn justeringsmuffen og fastgøringsmøtrikken.  
▶ **Fig.54:** 1. Justeringsmuffe 2. Fastgøringsmøtrik
4. Tilspænd kun fastgøringsmøtrikken.  
▶ **Fig.55:** 1. Fastgøringsmøtrik
5. Løsn justeringsmuffen og fastgøringsmøtrikken.  
▶ **Fig.56:** 1. Justeringsmuffe 2. Fastgøringsmøtrik
6. Tilspænd kun fastgøringsmøtrikken.  
▶ **Fig.57:** 1. Fastgøringsmøtrik
7. Sørg for, at bremsearmen er i halvvejsstillingen, når den er fuldt trukket. Hvis bremsearmen er i halvvejsstillingen, skal du gå til trin 13. Hvis bremsearmen ikke er i halvvejsstillingen, skal du gå til trin 8.  
▶ **Fig.58:** 1. Bremsearm
8. Løsn kun fastgøringsmøtrikken.  
▶ **Fig.59:** 1. Fastgøringsmøtrik
9. Tilspænd fastgøringsmøtrikken og justeringsmuffen sammen.  
▶ **Fig.60:** 1. Justeringsmuffe 2. Fastgøringsmøtrik
10. Løsn kun fastgøringsmøtrikken.  
▶ **Fig.61:** 1. Fastgøringsmøtrik
11. Tilspænd fastgøringsmøtrikken og justeringsmuffen sammen.  
▶ **Fig.62:** 1. Justeringsmuffe 2. Fastgøringsmøtrik
12. Sørg for, at bremsearmen er i halvvejsstillingen, når den er fuldt trukket.  
▶ **Fig.63:** 1. Bremsearm
13. Fold transportrammen sammen, og monter derefter transportbakken eller spanden.  
▶ **Fig.64:** 1. Transportramme

## Oppumpning af dækket med luft

Kontroller, at der ikke mangler luft i dækket på forhjulet. Pump dækket ved hjælp af en pumpe, hvis der er for lidt luft i hjulet. Det anbefalede dæktryk er 230 kPa.

- ▶ **Fig.65**

# EKSTRAUDSTYR

**⚠️ FORSIGTIG:** Det følgende tilbehør og ekstraudstyr er anbefalet til brug med Deres Makita maskine, der er beskrevet i denne brugsanvisning. Anvendelse af andet tilbehør eller ekstraudstyr kan udgøre en risiko for personskade. Anvend kun tilbehør og ekstraudstyr til det beskrevne formål.

**⚠️ FORSIGTIG:** Brug kun Makita tilbehør eller ekstraudstyr til maskinen. Brug af andet tilbehør eller ekstraudstyr kan medføre alvorlig personskade.

Hvis De behøver hjælp ved valg af tilbehør eller ønsker yderligere informationer, bedes De kontakte Deres lokale Makita servicecenter.

- Transportbakke
- Spand
- Ekstra hjul
- Original Makita akku og oplader

**BEMÆRK:** Nogle ting på denne liste kan være inkluderet i værktøjspakken som standardtilbehør. Det kan være forskellige fra land til land.

## SPECIFIKĀCIJAS

Modelis:		DCU180
Izmēri (G × P × A)	Ar uzstādītu kravu kastī	Ekspluatācijas laikā: 1 315 mm × 1 060 mm × 900 mm Glabāšanas laikā: 1 110 mm × 820 mm × 820 mm
	Ar uzstādītu kravu tvertni	Ekspluatācijas laikā: 1 310 mm × 820 mm × 900 mm Glabāšanas laikā: 1 110 mm × 820 mm × 820 mm
Pārvietošanās ātrums	Uz priekšu	1,5 vai 3,5 km/h
	Uz atpakaļ	1,0 km/h
Minimālais pagriešanās rādiuss		1 075 mm (ārējais diametrs, pagriežoties ar priekšējā riteņa asi)
Maksimālā spēja pārvarēt pacēlumus		12°
Maksimālā kravnesība		130 kg
Bremzes	Priekšējais ritenis	Diska bremze ar vadu
	Aizmugures ritenis	Fiksējams ar pedāli
Riepa	Priekšējais ritenis	Bezkameru riepa
	Aizmugures ritenis	Pašlīmējoša riepa
Nominālais spriegums		Līdzstrāva 18 V
Tīrsvars	Ar uzstādītu kravu kastī	43,7 - 44,0 kg
	Ar uzstādītu kravu tvertni	40,7–41,0 kg

- Nepārtrauktās izpētes un izstrādes programmas dēļ šeit uzrādītās specifikācijas var tikt mainītas bez brīdinājuma.
- Specifikācijas un akumulatora kasetne var atšķirties dažādās valstīs.
- Svārs var būt atšķirīgs atkarībā no papildierīces (-ēm), tostarp akumulatora kasetnes. Tabulā ir attēlota vieglāka un smagāka kombinācija atbilstoši EPTA procedūrai 01/2014.

### Piemērotā akumulatora kasetne un lādētājs

Akumulatora kasetne	BL1815N / BL1820B / BL1830B / BL1840B / BL1850B / BL1860B
Lādētājs	DC18RC / DC18RD / DC18RE / DC18SD / DC18SE / DC18SF / DC18SH

- Daži no iepriekš norādītajiem lādētājiem un akumulatora kasetnēm var nebūt pieejami atkarībā no jūsu mītnes reģiona.

**BRĪDINĀJUMS:** Izmantojiet vienīgi iepriekš norādītās akumulatora kasetnes un lādētājus. Cita tipa akumulatora kasetņu un lādētāju izmantošana var radīt traumu un/vai aizdegšanās risku.

**BRĪDINĀJUMS:** Ar šo darbarīku neizmantojiet strāvas apgādi, kas pievienota ar vadu, piemēram, akumulatora adapteri vai pārnēsājamu barošanas bloku. Šāda veida strāvas apgādes ierīces strāvas vads var traucēt darbību, tādējādi izraisot traumas.

### Simboli

Tālāk ir attēloti simboli, kas var attiekties uz darbarīka lietošanu. Pirms darbarīka izmantošanas pārliecinieties, vai pareizi izprotat to nozīmi.



Izlasiet lietošanas rokasgrāmatu.



Tikai ES valstīm  
Tā kā šajā aprīkojumā ir bīstamas sastāvdaļas, elektrisko un elektronisko iekārtu, akumulatoru un bateriju atkritumi var negatīvi ietekmēt apkārtni un cilvēka veselību. Elektroierīces, elektroniskās ierīces un akumulatorus nedrīkst izmest kopā ar mājāsaimniecības atkritumiem! Saskaņā ar Eiropas direktīvu par elektrisko un elektronisko iekārtu atkritumiem, akumulatoriem un baterijām, kā arī akumulatoru un bateriju atkritumiem un šīs direktīvas pielāgošanu valsts tiesību aktiem elektrisko un elektronisko iekārtu, bateriju un akumulatoru atkritumi ir jāglabā atsevišķi un jānogādā uz sadzīves atkritumu dalītās savākšanas vietu, ievērojot attiecīgos vides aizsardzības noteikumus. Par to liecina uz iekārtas redzams simbols ar pārsvītrotu atkritumu konteineru uz riteņiem.



	Velciet sviru uz leju līdz galam un pārbaudiet, ka kravas kaste vai tilpne ir bloķēta.
	Nemainiet virzienu, atrodoties uz stāvas nogāzes.
	Kravu iekraujiet un izkraujiet, ierīcei atrodoties uz līdzenes virsas.
	Kravu kravas kastē vai tilpnē kraujiet vienmērtīgi.
	Šo ierīci nedrīkst izmantot uz koplietošanas ceļiem.
	Nezinmantojiet cilvēku pārvadāšanai.
	Neatstājiet lietū.
	Lai atceltu skaņas signālu, atlaidiet slēdža mehānismu un paveliciet bremses sviru.
	Neskatieties lāzera stara kūlī.
	Garantētais skaņas jaudas līmenis saskaņā ar ES Direktīvu par troksni ārpus telpām.
	Skaņas jaudas līmenis saskaņā ar Austrālijas NSW trokšņu kontroles noteikumiem

## Paredzētā lietošana

Šī ir ar akumulatoru darbināma ierīce, kas ir paredzēta kravas iekraušanai un pārvadāšanai.

## Trokšņa līmenis

Tipiskais A svērtais trokšņa līmenis noteikts saskaņā ar EN62841-1:

Skaņas spiediena līmeni ( $L_{pA}$ ): 70 dB (A) vai mazāk  
Mainīgums (K): 3 dB (A)

Darbības laikā trokšņa līmenis var pārsniegt 80 dB (A).

**PIEZĪME:** Paziņotā trokšņa emisijas vērtība noteikta atbilstoši standarta pārbaudes metodei, un to var izmantot, lai salīdzinātu vienu darbarīku ar citu.

**PIEZĪME:** Paziņoto trokšņa emisijas vērtību arī var izmantot iedarbības sākotnējā novērtējumā.

**▲BRĪDINĀJUMS:** Lietojiet ausu aizsargus.

**▲BRĪDINĀJUMS:** Trokšņa emisija patiesos darba apstākļos var atšķirties no paziņotās vērtības atkarībā no darbarīka izmantošanas veida un jo īpaši atkarībā no apstrādājamā materiāla veida.

**▲BRĪDINĀJUMS:** Lai aizsargātu lietotāju, nosakiet drošības pasākumus, kas pamatoti ar iedarbību reālos darba apstākļos (ņemot vērā visas ekspluatācijas cikla posmus, piemēram, laiku, kamēr darbarīks ir izslēgts un kad darbojas tukšgaitā, kā arī palaides laiku).

## Vibrācija

Vibrācijas kopējā vērtība (trīsasu vektora summa) noteikta atbilstoši EN62841-1:

Darba režīms: darbība bez slodzes

Vibrācijas izmēte ( $a_h$ ): 2,5 m/s<sup>2</sup> vai mazāk

Mainīgums (K): 1,5 m/s<sup>2</sup>

**PIEZĪME:** Paziņotā kopējā vibrācijas vērtība noteikta atbilstoši standarta pārbaudes metodei, un to var izmantot, lai salīdzinātu vienu darbarīku ar citu.

**PIEZĪME:** Paziņoto kopējo vibrācijas vērtību arī var izmantot iedarbības sākotnējā novērtējumā.

**▲BRĪDINĀJUMS:** Vibrācijas emisija patiesos darba apstākļos var atšķirties no paziņotās vērtības atkarībā no darbarīka izmantošanas veida un jo īpaši atkarībā no apstrādājamā materiāla veida.

**▲BRĪDINĀJUMS:** Lai aizsargātu lietotāju, nosakiet drošības pasākumus, kas pamatoti ar iedarbību reālos darba apstākļos (ņemot vērā visus ekspluatācijas cikla posmus, piemēram, laiku, kamēr darbarīks ir izslēgts un kad darbojas tukšgaitā, kā arī palaides laiku).

## EK atbilstības deklarācija

*Tikai Eiropas valstīm*

EK atbilstības deklarācija šajā lietošanas rokasgrāmatā ir iekļauta kā A pielikums.

## DROŠĪBAS BRĪDINĀJUMI

### Vispārīgi elektrisko darbarīku drošības brīdinājumi

**▲BRĪDINĀJUMS:** Izlasiet visus drošības brīdinājumus, instrukcijas, apskatiet ilustrācijas un tehniskos datus, kas iekļauti mehānizētā darbarīka komplektācijā. Ja netiek ievēroti visi tālāk minētie noteikumi, var tikt izraisīta elektrotrauma, notikt aizdegšanās un/vai rasties smagas traumas.

### Glabājiet visus brīdinājumus un norādījumus, lai varētu tajos ieskatīties turpmāk.

Termins „elektrisks darbarīks” brīdinājumus attiecas uz tādu elektrisko darbarīku, ko darbina ar elektrību (ar vadu), vai tādu, ko darbina ar akumulatoru (bez vada).

### Ar akumulatoru darbināmas ķerrās drošības brīdinājumi

1. Strādājot ar ierīci, vienmēr valkājiet neslidošus aizsargapavus. Pret slīdēšanu nodrošināti aizsargzābaki un aizsargkurpes ar slēgtu purngalu samazinās traumu risku.
2. Pirms priekšmetu vai materiālu pārvadāšanas pārbaudiet pārvadāšanas ceļu. Ceļa pārzināšana un pārliecība, ka tas ir pietiekami plats, lai droši virzītu ierīci ar kravu, palīdzēs samazināt iespēju, ka tiek zaudēta kontrole pār ierīci.

3. **Īpaši uzmanieties, ja virzāt ierīci slidenā, irdenā un nelīdzenā apvidū.** Pārvietojoties pa mitrām un slidenām virsmām, piemēram, slapjā zālē, sniegā vai uz ledus, un irdenā un nelīdzenā apvidū, piemēram, pa smilts un grants segumiem, ierīce var zaudēt vilkšanas spēku un nelabvēlīgi ietekmēt stūrēšanu, bremzēšanu un stabilitāti.
  4. **Nedarbiniet ierīci pārāk stāvās nogāzēs.** Tādējādi jūs samazināsiet risku zaudēt kontroli, paslīdēt un pakrist, kas varētu radīt traumas. Nogāzes, kuru slīpums ir lielāks par maksimālo ieteikto, un slīpas ceļa malas var nelabvēlīgi ietekmēt spēju droši apstāties.
  5. **Strādājot uz nogāzēm, vienmēr nodrošiniet kāju atbalstu, vienmēr strādājiet šķērsvirzienā nogāzes slīpumam, bet nekad virzienā uz leju vai uz augšu, un ievērojiet īpašu piesardzību, mainot virzienu.** Tādējādi jūs samazināsiet risku zaudēt kontroli, paslīdēt un pakrist, kas varētu radīt traumas.
  6. **Kad vien iespējams, izmantojiet līdzenus laukumus, lai apstātos, iekraujat un izkraujat kravu, un nekādā gadījumā neatstājiet ierīci uz nogāzes bez uzraudzības.** Atrodoties miera stāvoklī, ierīce uz nogāzes ir nestabilāka nekā uz līdzenas virsmas.
  7. **Apstājoties uz nogāzes, pagrieziet ierīci virzienā uz augšu vai uz leju un nobloķējiet tos riteņus, kuriem nav bremžu.** Ierīce ir nestabilāka, ja ir pagriezta šķērsām nogāzei. Iespējams, riteņi, kuriem nav bremžu, it īpaši pasīvie riteņi, var pagriezties un rīpot lejup – pat tad, ja ir uzstādīta priekšējā riteņa bremze.
  8. **Atstājot ierīci bez uzraudzības, novietojiet to drošas apstāšanās zonā un uzstādiet ilgstošas apstāšanās bremzi.** Ilgstošas apstāšanās bremze novērš nevēlamas priekšējā riteņa kustības un var uzlabot stabilitāti.
  9. **Pārliecinieties, ka platformas ir tīras, izturīgas un drošas.** Lai samazinātu traumu risku, uz platformām nedrīkst atrasties irdeni gruzi, un tām jābūt pietiekami izturīgam, lai izturētu pa tām pārvietojamo kravu smagumu, lai izkraujot apakšpusē un abām malām jābūt atbilstoši bloķētām, lai novērstu to izliekšanos un svārstīšanos no kravas smaguma. Platformām jābūt pietiekami platām, lai, virzot pār tām kravas, tiktu nodrošināts pietiekams atbalsts kājām.
  10. **Nodrošiniet, ka laikā, kad netiek izkrauta krava un ierīce tiek uzglabāta, beramtilpne ir nolaista uz leju un beramtilpne un izkraušanas barjera ir droši nostiprināta.** Nenostiprināta beramtilpne vai izkraušanas barjera var pēkšņi atvērties vai pagriezties.
  11. **Paplašinot platformas pār atklātiem laukumiem, aprīkojiet tās ar sānu latām vai margām.** Platformas, kas atrodas virs atklātiem laukumiem un atklātiem grāvjiem, var būt par iemeslu nejausiem kritieniem un paaugstina smagu traumu iespējamību. Lai novērstu ierīces virzīšanos pāri platformas malām, aprīkojiet tās ar sānu latām vai margām.
  12. **Pirms lietošanas pārliecinieties, ka visas fiksācijas skrūves ir cieši pievilkta.** Aizmugures riteņu un atklātā tipa kravas kastes priekšējās malas un sānu malu fiksācijas skrūvēm jābūt pievilkām, lai novērstu šo ierīces regulējamo daļu nevēlamu kustēšanos.
  13. **Nekādā gadījumā nedarbiniet ierīci, ja tā ir pārslogota.** Pārliecinieties, ka ierīcei ir noteikts atbilstošs kravnesības vērtējums tiem priekšmetiem vai materiāliem, kuri jāpārvadā. Ja ir pārmērīgas slodzes, ierīci ir grūtāk manevrēt un apturēt, palielinās apturēšanas laiks un attālums un paaugstinās nestabilitātes risks.
  14. **Nekādā gadījumā nedarbiniet ierīci, ja tā ir pārkrauta.** Kraujot materiālus virs kravas nodalījuma malas vai pāri tai, ierīce var nekontrolējami zaudēt līdzsvaru un vadāmbū.
  15. **Kravu nostiprināšanai izmantojiet konteinerus un stiprinājuma atsaites.** Vaļņīgas un/vai nenostiprinātas kravas var sasvārties un zaudēt stabilitāti un kontroli.
  16. **Ierīces rokturus vienmēr turiet stingri satvertus.** Kontroles zaudēšana var palielināt traumu risku.
  17. **Ja ierīce netiek lietota, izņemiet drošības slēgu.** Drošības slēgs nepieļauj nevēlamu ierīces lietošanu, lietojot spēku, ko varētu izdarīt, piemēram, bērni vai citas neapmācītas vai nepiederošas personas. Bez slēga nav iespējams „ieslēgt” strāvas padevi.
  18. **Šo ierīci nedrīkst izmantot uz koplietošanas ceļiem.** Lietot šādu ķeru uz sabiedriskiem ceļiem ir aizliegts ar likumu, rezultātā jūs varat tikt sodīts, kā arī šādā veidā izmantojot ierīci var gūt nopietnus savainojumus.
  19. **Kad iekraujat vai izkraujat šo mašīnu pirms vai pēc pārvadāšanas vai pārvietojat to starp stāviem, vienmēr izmantojiet izturīgu pretslīdes plāksni, kuru var piestiprināt pie pamatnes.** Plāksnes novietojuma leņķis nedrīkst pārsniegt 12°, un mašīna pa to jāpārvieto lēnām. Pārvietojoties nestabili vai pārlieku ātri, mašīna var apgāzties un/vai nokrist.
  20. **Neizjauciet, neremontējiet un nepārveidojiet šo mašīnu.**
- Ekspluatācija**
1. **Darbinot ierīci, stāviet aiz tās un cieši satveriet rokturus.**
  2. **Nedarbiniet ierīci, braucot ar to.**
  3. **Neļaujiet citiem braukt ar ierīci.**
  4. **Darbinot ierīci atpakaļgaitā un ejot atmuguriski, vērojiet ceļu aiz sevis un uzmanieties, lai nepaslīdētu vai nepakluptu.**
  5. **Nelietojiet ierīci sliktas redzamības apstākļos, jo tad pastāv risks uzduroties šķēršļiem.**
  6. **Darbinot ierīci uz nelīdzena ceļa, samaziniet ātrumu un esiet piesardzīgs.**
  7. **Lietojot ierīci, izvairieties no mīkstas augsnes, lai novērstu apgāšanos, kas var notikt ceļa malas nosēšanās dēļ.**
  8. **Nedarbiniet ierīci augšup pa nogāzēm, kuru slīpums pārsniedz 12°.**
  9. **Ja pamanāt izmaiņas ierīces darbībā, apturiet to uz plakanas virsmas. Pirms ierīces pārbaudes pavelciet bremzes sviru un nofiksējiet bremzi, un pēc tam izslēdziet strāvas padevi.**
  10. **Pirms ierīces darbināšanas pārliecinieties, ka bloķēšanas svira ir pilnībā novilkta uz leju un ir pilnībā bloķēta.** Ja bloķēšana ir nepilnīga, iespējams negadījumu vai traumu risks, jo kravas kaste vai tilpne var sasvārties un krava var no tās izkrist.
  11. **Uzmanieties, lai vadi nesapinas ar kravu vai šķēršļiem.**

## Ekspluatācija uz nogāzēm

1. Nešķērsojiet nogāzes.
2. Neaizmirstiet samazināt ātrumu un esiet piesardzīgs.
3. Iedarbinot un apturot ierīci uz nogāzēm, esiet piesardzīgs.
4. Tā kā uz nogāzēm krava kļūst nestabilāka, cieši nostipriniet kravu ar virvēm.
5. Atkarībā no ceļa stāvokļa ierīce kļūst nestabilāka, tādēļ ierobežojiet kravas apjomu līdz minimumam.
6. Nogāzēs skata lauks ir ierobežots, tādēļ ierobežojiet kravas augstumu līdz minimumam.
7. Nekādā gadījumā nenovietojiet ierīci stāvēšanai uz stāvām nogāzēm. Novietojiet ierīci stāvēšanai uz līdzenas virsmas, pavelciet bremzes sviru un nofiksējiet bremzi, un pēc tam izslēdziet strāvas padevi.
8. Nemainiet virzienu vai ātruma režīmu, atrodoties uz stāvas nogāzes.
9. Braucot augšup pa nogāzi, neatlaidiet slēdža mēlīti. Ierīce var sākt braukt atpakaļgaitā un izraisīt negadījumu.
10. Pirms sākat darbināt ķerru uz nogāzes, pārliecinieties, ka ir pietiekama atlikusī akumulatora jauda. Ja atlikusī akumulatora jauda nav pietiekama, uzlādējiet akumulatoru vai nomainiet to ar jau uzlādētu akumulatoru.

## Kravas iekraušana

1. Nekraujiet pārmērīgi lielu kravu. Iekraujot kravu, ievērojiet rokasgrāmatā sniegtos norādījumus un slodžu ierobežojumus.
2. Kravu cieši nostipriniet ar virvēm.
3. Kraujiet kravu tieši kravas kastē vai tilpnē. Ja krava ir izvīzās ārpus kravas kastes vai tilpnes, iespējams negadījumu risks, kravai nokrītot vai saduroties ar šķēršļiem, piemēram, sienām.
4. Pārliecinieties, ka iekrautā krava atrodas zemāk par acu augstumu. Pārāk augsta krava ir bīstama, jo tā aizsedz skata lauku. Tā kā krava, visticamāk, nav līdzsvarota, iespējams arī apgāšanās un traumu risks.
5. Kravu kravas kastē vai tilpnē kraujiet vienmērīgi. Ja krava ir sakrata nevienmērīgi, krava, visticamāk, nav līdzsvarota, un pastāv apgāšanās un traumu risks.
6. Pirms kravas iekraušanas vai ierīces darbināšanas pārliecinieties, ka bloķēšanas svira ir pilnīgi novilkta uz leju un pilnībā nofiksēta.
7. Lai saglabātu līdzsvaru, vispirms kraujiet smagus priekšmetus.
8. Pārvadājot kravu uz stāvas nogāzes, nepagariniet priekšējos vai sānu režģus. Sānu režģus pagariniet tikai tad, ja tiek iekrauti viegli priekšmeti.
9. Pagarinot priekšējos un sānu režģus, nepagariniet tos vairāk nekā to pieļauj pagarināšanas ierobežojums. Pagarinot sānu malas, pārliecinieties, ka labā un kreisā puse ir vienādā garumā, un kraujiet kravu vienmērīgi.
10. Kravu iekraujiet un izkraujiet, ierīcei atrodoties uz līdzenas virsas.
11. Paceļot un pieliecot kravas kasti vai tilpni, cieši satveriet rokturus un rāmi un strādājiet, stāvot stabilā pozā.

## Apkope

1. Pirms ierīces uzglabāšanas vai arī pārbaudes vai apkopes sākšanas vienmēr nodrošiniet, ka ierīce atrodas uz līdzenas virsmas, un bloķējiet bremzes sviru.

## SAGLABĀJIET ŠOS NORĀDĪJUMUS.

**▲BRĪDINĀJUMS:** NEPIEĻAUJIET to, ka labu iemaņu vai izstrādājuma labas pārzināšanas (darbarīku atkārtoti ekspluatējot) rezultātā vairs stingri neievērojāt šī izstrādājuma drošības noteikumus. NEPAREIZI LIETOJOT darbarīku vai neievērojot šajā instrukciju rokasgrāmatā minētos drošības noteikumus, var tikt gūtas smagas traumas.

## Svarīgi drošības norādījumi par akumulatora kasetni

1. Pirms akumulatora lietošanas izlasiet visus norādījumus un brīdinājumus, kuri attiecas uz (1) akumulatora lādētāju, (2) akumulatoru un (3) ierīci, kurā tiek izmantots akumulators.
2. Akumulatora kasetni nedrīkst ne pārveidot, ne izjaukt. Citādi var tikt izraisīta aizdegšanās, pārmērīgs karstums vai sprādziens.
3. Ja akumulatora darbības laiks kļuva ievērojami īsāks, nekavējoties pārtrauciet to izmantot. Citādi, tas var izraisīt pārkarsējumu, uzliesmojumu vai pat sprādzienu.
4. Ja elektrolīts nonāk acīs, izskalojiet tās ar tīru ūdens un nekavējoties griezties pie ārsta. Tas var izraisīt redzes zaudēšanu.
5. Neradiet īssavienojumu akumulatora kasetnē:
  - (1) Nepieskarieties spaiļem ar elektrību vadītiem materiāliem.
  - (2) Neuzglabājiet akumulatoru kasetni kopā ar citiem metāla priekšmetiem, tādiem kā naglas, monētas u. c.
  - (3) Nepakļaujiet akumulatora kasetni ūdens vai lietus iedarbībai.Akumulatora īssavienojums var radīt spēcīgu strāvas plūsmu, pārkaršanu, uzliesmojumu un pat sabojāt akumulatoru.
6. Neglabājiet un neizmantojiet darbarīku un akumulatora kasetni vietās, kur temperatūra var sasniegt vai pārsniegt 50 °C (122 °F).
7. Nededziniet akumulatora kasetni, pat ja tā ir stipri bojāta vai pilnībā nolietota. Akumulatora kasetne ugunī var eksplodēt.
8. Akumulatora kasetni nedrīkst naglot, griezt, saspīest, mest vai nomest, kā arī pa to nedrīkst sist ar cietu priekšmetu. Šādas darbības var izraisīt aizdegšanos, pārmērīgu karstumu vai sprādzienu.
9. Neizmantojiet bojātu akumulatoru.
10. Uz izmantotajiem lītija jonu akumulatoriem attiecas likumdošanas prasības par bīstamiem izstrādājumiem.

Komerציאלā transportēšanā, ko veic, piemēram, trešās puses, transporta uzņēmumi, jāievēro uz iesaiņojuma un marķējuma norādītās īpašās prasības.

Lai izstrādājumu sagatavotu nosūtīšanai, jāsaziņās ar bīstamo materiālu speciālistu. Ievērojiet arī citus attiecināmos valsts normatīvus.

Vaļējus kontaktus nosedziet ar līmlenti vai citādi pārklājiet, bet akumulatoru iesaiņojiet tā, lai sainītas nevarētu izkustēties.

11. Lai utilizētu akumulatora kasetni, izņemiet to no darbarīka un likvidējiet drošā vietā. Ievērojiet vietējos noteikumus par akumulatora likvidēšanu.
12. Izmantojiet šos akumulatorus tikai ar izstrādājumiem, kurus norādījis Makita. Ievietojot šos akumulatorus nesaderīgos izstrādājumos, var rasties ugunsgrēks, pārmērīgs karstums, tie var uzsprāgt vai no tiem var iztecēt elektrolīts.
13. Ja darbarīks netiks lietots ilgu laiku, no tā jāizņem akumulators.
14. Lietošanas laikā vai pēc tās akumulatora kasetne var uzkrāt siltumu, kas var izraisīt apdegumus vai zemas temperatūras apdegumus. Ar karstu akumulatora kasetni apejieties rūpīgi.
15. Nepieskarieties darbarīka izvadam uzreiz pēc lietošanas, jo tas var būt sakarsis un izraisīt apdegumus.
16. Neļaujiet akumulatora kasetnes izvadā, atverēs un rievās uzkrāties skaidām, putekļiem vai augsnei. Tādējādi darbarīks vai akumulatora kasetne var sākt darboties nekvalitatīvi vai tikt sabojāti.
17. Neizmantojiet akumulatora kasetni augstsprieguma līniju tuvumā, izņemot gadījumus, kad darbarīks ir piemērots lietošanai augstsprieguma līniju tuvumā. Citādi darbarīks vai akumulatora kasetne var sākt darboties nepareizi vai tikt sabojāti.
18. Glabājiet akumulatoru bērniem nepieejamā vietā.

## SAGLABĀJIET ŠOS NORĀDĪJUMUS.

**⚠UZMANĪBU:** Lietojiet tikai oriģinālos Makita akumulatorus. Ja lietojat neoriģinālus Makita akumulatorus vai pārveidotus akumulatorus, tie var uzsprāgt un izraisīt aizdegšanos, traumas un materiālos zaudējumus. Tikas anulēta arī Makita darbarīka un lādētāja garantija.

## Ieteikumi akumulatora kalpošanas laika pagarināšanai

1. Uzlādējiet akumulatora kasetni, pirms tā ir pilnībā izlādējusies. Vienmēr, kad ievērojāt, ka darbarīka darba jauda zudusi, apturiet darbarīku un uzlādējiet akumulatora kasetni.
2. Nekad neuzlādējiet pilnībā uzlādētu akumulatora kasetni. Pārmērīga uzlāde saīsina akumulatora kalpošanas laiku.
3. Uzlādējiet akumulatora kasetni istabas temperatūrā 10 °C - 40 °C. Karstai akumulatora kasetnei pirms uzlādes ļaujiet atdzist.
4. Kad akumulatora kasetne netiek izmantota, izņemiet to no darbarīka vai lādētāja.
5. Uzlādējiet litiņa jonu akumulatora kasetni, ja to ilgstoši nelietosit (vairāk nekā sešus mēnešus).

## DETAĻU APRAKSTS

### Detalju apraksts (ar uzstādītu kravas kasti)

#### ► Att.1

1.	Vadības bloks	2.	Rokturis
3.	Slēdža mēlīte	4.	Akumulatoru kaste
5.	Priekšējā riteņa bremzes svira	6.	Aizmugures ritenis
7.	Aizmugures riteņa bremzes pedālis	8.	Lampa
9.	Priekšējais ritenis	10.	Kravas kaste

### Daļu apraksts (ar uzstādītu kravas tilpni)

#### ► Att.2

1.	Vadības bloks	2.	Rokturis
3.	Slēdža mēlīte	4.	Akumulatoru kaste
5.	Priekšējā riteņa bremzes svira	6.	Aizmugures ritenis
7.	Aizmugures riteņa bremzes pedālis	8.	Lampa
9.	Priekšējais ritenis	10.	Kravas tilpne

## MONTĀŽA

**⚠UZMANĪBU:** Pirms ierīces regulēšanas vai apkopes vienmēr pārliecinieties, ka ierīce ir izslēgta un akumulatora kasetne ir izņemta.

### Galvenā bloka montāža

1. Izņemiet no kastes pamatnes bloku un rokturus.

#### ► Att.3

**IEVĒRĪBAI:** Pamatnes bloku un rokturus noteikti izņemiet kopā, lai vadiem netiktu pielietots pārmērīgs spēks.

2. Novietojiet iepakojumu zem pamatnes bloka aizmugures.

#### ► Att.4: 1. Iepakojums

3. Rāmī ievietojiet aizmugures riteņus.

#### ► Att.5: 1. Aizmugures ritenis

#### ► Att.6: 1. Aizmugures ritenis

**PIEZĪME:** Aizmugures riteņu vietā var ievietot balsta kājas.

4. Uz tsās sešstūra skrūves uzlieciet atsperaplāksni un aplāksni un pievelciet tās ar komplektā iekļauto uzgriežņu atslēgu.

#### ► Att.7: 1. Tsās sešstūra skrūve 2. Atsperaplāksne 3. Starplika

#### ► Att.8

**IEVĒRĪBAI:** Aizmugures riteņu pievilkšanai noteikti izmantojiet īsās sešstūra skrūves.

**IEVĒRĪBAI:** Nofiksējiet aizmugures riteņus abās pusēs vienādā stāvoklī.

5. Paceliet uz augšu rokturus un ievietojiet pamatnes blokā.

► **Att.9**

**IEVĒRĪBAI:** Neļaujiet vadiem atrasties attēlā norādītajā „A” zonā. Gari priekšmeti var savīties ar vadiem un izraisīt nelaimes gadījumus.

**IEVĒRĪBAI:** Rokturus neceliet un neievietojiet ar pārmērīgu spēku.

**IEVĒRĪBAI:** Rokturus noteikti celiet ar abām rokām.

6. Atveriet kravas kastes rāmi virzienā uz priekšpusi.

► **Att.10:** 1. Kravas kastes rāmis

7. Atlieciet rokturus, ievietojiet garās sešstūra skrūves pamatnes blokā un ar komplektā iekļauto uzgriežņu atslēgu pievelciet uzgriežņus.

► **Att.11:** 1. Garā sešstūra skrūve

8. No aizmugures pievelciet skrūves ar apcilni, izmantojot komplektā iekļauto uzgriežņu atslēgu.

► **Att.12:** 1. Skrūve ar apcilni

9. Lai nostiprinātu rokturus, un abām pusēm pievelciet īsās sešstūra skrūves, izmantojot komplektā iekļauto uzgriežņu atslēgu.

► **Att.13:** 1. Īsā sešstūra skrūve

**IEVĒRĪBAI:** Nepievelciet īsās sešstūra skrūves ar pārmērīgu spēku. Pievelciet tās ar piemērotu roku spēku, nodrošinot, ka rokturi ir stabili nostiprināti.

**IEVĒRĪBAI:** Neiespiediet vadus ar skrūvēm.

10. Nostipriniet vadus ar skavām.

► **Att.14:** 1. Skava

11. Salokiet kravas kastes rāmi.

► **Att.15:** 1. Kravas kastes rāmis

12. Lai bloķētu bremzes, piespiediet bloķēšanas pogu, vienlaikus piespiežot bremzes sviru.

► **Att.16:** 1. Bloķēšanas poga 2. Bremzes svira

**⚠UZMANĪBU:** Kad aizmugures riteņi ir uzstādīti, piespiediet aizmugures riteņa bremzes pedāli, lai bloķētu aizmugures riteņi.

13. Aizāķējiet kravas kastes fiksatoru un pēc tam velciet fiksatora sviru uz leju, nofiksējot kravas kastī.

► **Att.17:** 1. Kravas kastes fiksators 2. Bloķēšanas svira

**IEVĒRĪBAI:** Pārbaudiet, vai bloķēšanas svira ir droši nostiprināta.

**IEVĒRĪBAI:** Neiespiediet vadus ar bloķēšanas sviru.

**PIEZĪME:** Ja jāievieto balsta kājas, nevis aizmugurējie riteņi, izņemiet aizmugurējos riteņus no rāmjiem un pēc tam piestipriniet rāmjiem balsta kājas.

► **Att.18:** 1. Aizmugures riteņi 2. Balsta kāja

## Kravas kastes montāža un uzstādīšana

### Papildpiederums

1. Izņemiet kravas kastī no iepakojuma, piestipriniet pamata rāmim sānu režģus un pēc tam pievelciet ar roku skrūvējamās uzgriežņus, lai nofiksētu režģus.

► **Att.19:** 1. Ar roku skrūvējams uzgrieznis

2. Ievietojiet kravas kastī pamatnes blokā un pēc tam rāmī no augšpusē ievietojiet sešstūra skrūves un paplāksnes. Lai nostiprinātu kravas kastī, no apakšpusē pievelciet paplāksnes un atsperpaplāksnes un spārnuzgriežņus.

► **Att.20:** 1. Garā sešstūra skrūve 2. Īsā sešstūra skrūve 3. Starplika 4. Atsperpaplāksne 5. Spārnuzgrieznis

**IEVĒRĪBAI:** Priekšējai daļai lietojiet garās skrūves, bet aizmugures daļai – īsās skrūves.

## Kravas tilpnes uzstādīšana

### Papildpiederums

Lai piestiprinātu kravas tilpni, novietojiet to uz pamatnes bloka, ievietojiet rāmjos sešstūra skrūves un pēc tam no apakšpusē pievelciet paplāksnes, atsperpaplāksnes un spārnuzgriežņus.

► **Att.21:** 1. Sešstūra skrūve 2. Starplika 3. Atsperpaplāksne 4. Spārnuzgrieznis

## FUNKCIJU APRAKSTS

### Akumulatora kasetnes uzstādīšana un izņemšana

**⚠UZMANĪBU:** Pirms akumulatora kasetnes uzstādīšanas vai noņemšanas vienmēr izslēdziet ierīci.

**⚠UZMANĪBU:** Pirms lietošanas pārbaudiet, vai akumulatora vāks ir bloķēts. Citādi dubļi, netīrumi vai ūdens var izraisīt izstrādājuma vai akumulatora kasetnes bojājumus.

**⚠UZMANĪBU:** Akumulatora kasetni vienmēr ievietojiet pilnībā, lai nav redzams sarkanās krāsas indikators. Citādi akumulators var nejauši izkrist no ierīces un radīt jums vai apkārtējiem traumas.

**⚠UZMANĪBU:** Neievietojiet akumulatora kasetni ar spēku. Ja kasetne neslīd ietvarā viegli, tā nav pareizi ielikta.

**⚠UZMANĪBU:** Nelietojiet karstu akumulatora kasetni. Lietojot karstu akumulatora kasetni, ierīce automātiski apstājas vēl pirms tiek atskaņots īss skaņas signāls un var izraisīt traumas.

## Akumulatora kasetnes uzstādīšana

1. Pagrieziet bloķēšanas sviru un atveriet akumulatoru kastes vāciņu.

► **Att.22:** 1. Bloķēšanas svira 2. Vāciņš

2. Saskaņojiet akumulatora kasetnes mēlīti ar akumulatoru kastes atveri un bīdiet kasetni, līdz tā ar nelielu klikšķi nokļūst vietā. Ja pogas augšējā daļā redzams sarkanas krāsas indikators, tas nozīmē, ka akumulatora kasetne nav pilnībā fiksēta.

► **Att.23:** 1. Akumulatora kasetne

3. Bloķēšanas atslēgu ievietojiet attēlā redzamajā vietā līdz galam.

► **Att.24:** 1. Bloķēšanas atslēga

**PIEZĪME:** Ja atslēga nav pilnībā ievietota, ierīce nedarbojas.

4. Aizveriet akumulatoru kastes vāku un pagrieziet bloķēšanas sviru.

► **Att.25:** 1. Bloķēšanas svira 2. Vāciņš

## Akumulatora kasetnes izņemšana

1. Pagrieziet bloķēšanas sviru un atveriet akumulatoru kastes vāciņu.

2. Pēc tam izvelciet akumulatora kasetni no akumulatoru kastes, vienlaikus bīdot kasetnes priekšpusē esošo pogu.

► **Att.26:** 1. Poga

3. Izvelciet bloķēšanas atslēgu.

4. Aizveriet akumulatoru kastes vāku un pagrieziet bloķēšanas sviru.

## Ierīces/akumulatora aizsardzības sistēma

Ierīce ir aprīkota ar ierīces/akumulatora aizsardzības sistēmu. Šī sistēma automātiski izslēdz motora barošanu, tādējādi pagarinot ierīces un akumulatora darbību. Ja lietošanas laikā uz ierīci vai akumulatora kasetni iedarbosies kāds no tālāk minētajiem apstākļiem, ierīce automātiski pārstās darboties. Pirms ierīce automātiski apstājas, tiek atskaņots īss signāls. Signāla atskaņošanas laikā mirgo akumulatora indikatori un LED indikatori.

### Aizsardzība pret pārslodzi

Ja ierīces lietošanas laikā tiek patērēts pārmērīgi liels strāvas daudzums, ierīce automātiski pārstāj darboties bez iepriekšējas norādes. Šādā gadījumā izslēdziet ierīci, noņemiet pārslodzes izraisītāju un pēc tam atkal ieslēdziet ierīci.

### Aizsardzība pret pārkaršanu

Ja ierīce ir pārkarusi, tā automātiski apstājas. Pirms atkārtotas ieslēgšanas ļaujiet ierīcei atdzist. Vidē ar augstu temperatūru var ieslēgties pārkaršanas aizsardzība.

### Aizsardzība pret akumulatora pārmērīgu izlādi

Ja ir zema atlikušā akumulatora jauda, ierīce automātiski pārstāj darboties. Ja ierīce nedarbojas, pat ieslēdzot slēdžus, izņemiet no darbarīka akumulatora kasetni un veiciet tā uzlādi.

## Akumulatora kasetnes pārslēgšana

► **Att.27:** 1. Akumulatoru atlasē slēdzis

Lai arī ierīce darbības laikā izmanto tikai vienu akumulatoru, akumulatoru kastē var uzstādīt līdz divām akumulatora kasetnēm. Pirms ierīces iedarbināšanas atlasiet darbam izmantojamo akumulatora kasetni, piespiežot ciparu uz akumulatoru atlasē slēdža.











**IEVĒRĪBAI:** Ja akumulatoru kastē ir uzstādīta tikai viena akumulatora kasetne, noteikti atlasiet to akumulatoru kastī, kurā ir uzstādīta akumulatora kasetne.

## Atlikušās akumulatora jaudas norādīšana uz akumulatoru kastes

**AUZMANĪBU:** Pirms atlikušās akumulatora jaudas pārbaudes vai akumulatora kasetnes pārslēgšanas noteikti apstādiniet ierīci.

► **Att.28:** 1. Akumulatora indikators 2. Pārbaudes poga

Nospiediet pārbaudes pogu, lai pārbaudītu akumulatora atlikušo jaudu. Akumulatora indikatori atbilst katram akumulatoram.

Akumulatora indikatora stāvoklis		Atlikušā akumulatora jauda
 Ieslēgts	 Izslēgts	
		50% - 100%
		20% - 50%
		0% - 20%
		Nav uzstādīts akumulators

**AUZMANĪBU:** Ja atlikušā akumulatora jauda ir zema, tiek atskaņots īss signāls. Ja turpināt darbināt ierīci ar zemu atlikušo akumulatora jaudu, tiek atskaņots garš signāls un ierīce automātiski apstājas. Ja dzirdat īsu signālu, pavelciet bremzes sviru un nobloķējiet bremzes, un pēc tam pārslēdziet akumulatora kasetni uz uzlādētu kasetni vai uzlādējiet akumulatora kasetni. Ja atlikušā akumulatora jauda beidzas, ierīce pēkšņi apstājas un tādējādi var radīt traumas.

**PIEZĪME:** Ja turpināt spiest slēdža mēlīti arī tad, ja dzirdat īso signālu, ierīce automātiski apstājas. Pēc tam, kad ierīce automātiski apstājas, signāls turpina skanēt un tiek ieslēgtas palīgbremze (elektriskā bremze). Lai atceltu skaņas signālu un atlaistu palīgbremzi, pavelciet bremzes sviru un atlaidiet slēdža mēlīti. Nestumjiet ierīci ar spēku, ja nav atlaistas palīgbremzes. Pēc palīgbremzes atlaišanas pārbaudot akumulatora indikatora statusu, varat noteikt, kura akumulatora aizsarg sistēma darbojas.

► **Att.29:** 1. Deg 2. Mirgo 3. Izslēgta 4. Aizsardzība pret pārkaršanu 5. Aizsardzība pret akumulatora pārmērīgu izlādi 6. Aizsardzība pret pārslodzi

**⚠UZMANĪBU:** Ja signāls tiek atskaņots, ierīcei darbojoties uz nogāzes, vai ierīce automātiski apstājas uz nogāzes, pārvietojiet ierīci drošā vietā, nobloķējiet bremzes un pārslēdziet akumulatora kasetni uz uzlādētu vai uzlādējiet akumulatora kasetni.

















Ja krava ir pārāk liela, un signāls tiek atskaņots, ierīcei darbojoties uz nogāzes, vai ierīce automātiski apstājas uz nogāzes, nepārvietojiet ierīci ar fizisku spēku. Nobloķējiet bremzes, parūpējieties par drošību un pārslēdziet akumulatora kasetni uz uzlādētu un pārvietojiet ierīci drošā vietā. Pirms atkal ieslēdziet ierīci, samaziniet slodzi.

**PIEZĪME:** Atlikušo akumulatora jaudu var pārbaudīt arī tad, ja atslēga nav ievietota.

## Atlikušās akumulatora jaudas indikators

*Tikai akumulatora kasetnēm ar indikatoru*

► **Att.30:** 1. Indikatora lampas 2. Pārbaudes poga  
Nospiediet akumulatora kasetnes pārbaudes pogu, lai pārbaudītu akumulatora atlikušo uzlādes līmeni. Indikatoru iedegsies uz dažām sekundēm.

Indikatora lampas			Atlikušā jauda
 ledzies	 izslēgtas	 mirgo	
			No 75% līdz 100%
			No 50% līdz 75%
			No 25% līdz 50%
			No 0% līdz 25%
			Uzlādējiet akumulatoru.
			Iespējama akumulatora kļūme.
			

**PIEZĪME:** Reālā jauda var nedaudz atšķirties no norādītās atkarībā no lietošanas apstākļiem un apkārtējās temperatūras.

**PIEZĪME:** Akumulatora aizsardzības sistēmas darbības laikā mirgo pirmais (kreisais malējais) indikators.

## Vadības bloks

► **Att.31:** 1. Ieslēgšanas/izslēgšanas poga 2. Uz priekšu/atpakaļgaitas poga 3. Ātruma poga

Lai ieslēgtu ierīci, uz dažām sekundēm nospiediet ieslēgšanas/izslēgšanas pogu. Nospiediet uz priekšu/atpakaļgaitas pogu, lai pārslēgtu režīmus no priekšgaitas atpakaļgaitā un pretēji. Nospiediet ātruma pogu, lai pārslēgtu ātrumu starp mazu un lielu ātrumu. Ieslēdzot ierīci, tiek iestatīta kustība uz priekšu un mazs ātrums. Lai izslēgtu ierīci, uz dažām sekundēm nospiediet ieslēgšanas/izslēgšanas pogu.

**PIEZĪME:** Nospiežot slēdža mēlīti, nav pieejama kustības uz priekšu/atpakaļgaitas poga.

**PIEZĪME:** Darbinot ierīci atpakaļgaitā, tiek atskaņots īss signāls.

**PIEZĪME:** Darbinot ierīci atpakaļgaitā, nav pieejama ātruma poga.

## Slēdža un bremžu darbība

**⚠BRĪDINĀJUMS:** Pirms akumulatora kasetnes uzstādīšanas ierīcē vienmēr pārbaudiet, vai slēdža mēlīte darbojas pareizi un pēc atlaišanas atgriežas „OFF” (izslēgts) stāvoklī.

Lai ieslēgtu ierīci, piespiediet slēdža mēlīti. Lai apturētu ierīci, atlaidiet slēdža mēlīti un pavelciet bremzes sviru. Lai nobloķētu bremzes sviru, piespiediet bloķēšanas pogu, vienlaikus pavelkot bremzes sviru. Lai atlaistu bloķēšanu, pavelciet bremzes sviru.

► **Att.32:** 1. Slēdža mēlīte

► **Att.33:** 1. Bloķēšanas poga 2. Bremzes svira

## Aizmugures riteņa bremze

Aizmugures riteņi ir aprīkoti ar bremzēm. Lai fiksētu bremzes, piespiediet uz priekšu bremžu pedāli. Lai atlaistu bremzes, spiediet bremžu pedāli atpakaļ.

► **Att.34:** 1. Pedālis

## Priekšējo lukturu ieslēgšana

Lai ieslēgtu lukturus, piespiediet lukturu pogu uz akumulatoru kastes. Lai izslēgtu lukturus, vēlreiz piespiediet lukturu pogu.

► **Att.35:** 1. Lukturu poga 2. Lampa

**PIEZĪME:** Ja ierīci atstāj bez darbināšanas 10 minūtes, lukturi izslēdzas.

**PIEZĪME:** Izslēdzot ierīci, izslēdzas arī lukturi.

**PIEZĪME:** Lukturus var ieslēgt arī tad, ja nav ievietota atslēga.

## Rokturu augstuma noregulēšana

Ar komplektā iekļauto uzgriežņu atslēgu atskrūvējiet īsās sešstūra skrūves un skrūves ar apcīlni, un noregulējiet rokturu augstumu. Rokturu augstumu var noregulēt trīs līmeņos. Lai nofiksētu rokturi, pievelciet skrūves ar apcīlni un īsās sešstūra skrūves.

► **Att.36:** 1. Īsā sešstūra skrūve 2. Skrūve ar apcīlni

**IEVĒRĪBAI:** Nofiksējiet kreiso un labo rokturi vienā augstumā.

**IEVĒRĪBAI:** Nepievelciet īsās sešstūra skrūves ar pārmērīgu spēku. Pievelciet tās ar piemērotu spēku, nodrošinot, ka rokturi ir stabili nostiprināti.

**IEVĒRĪBAI:** Neiespiediet vadus ar skrūvēm.

## Kravas kastes platuma noregulēšana

Atskrūvējiet 4 ar roku skrūvējamus uzgriežņus un pēc tam atbīdīet sānu režģus. Pievelciet ar roku skrūvējamus uzgriežņus, lai nofiksētu sānu režģus.

► **Att.37:** 1. Ar roku skrūvējams uzgrieznis 2. Režģis

**UZMANĪBU:** Nebīdīet režģus pāri robežas atzīmei.

► **Att.38**

## EKSPLUATĀCIJA

### Ierīces ekspluatācija

**IEVĒRĪBAI:** Šīs ierīces priekšējo riteni darbina akumulatora jauda. Lietojiet šo ierīci, lai palīdzētu veikt pārvadāšanas darbības.

**IEVĒRĪBAI:** Pirms ekspluatācijas sākuma ievietojiet atslēga akumulatora kastes atverē. Ja atslēga nav ievietota, tad, piespiežot slēdža mēlīti, atskan īss signāls. Skaņas signālu var apturēt, atlaižot slēdža mēlīti un pavelkot bremzes sviru.

Pirms sākat izmantot ierīci, pārbaudiet vai pareizi darbojas bremžu svira.

► **Att.39:** 1. Bremzes svira

**BRĪDINĀJUMS:** Ja, pilnībā pavelkot bremzes sviru, tā pieskaras rokturim, bremzes darbība ir traucēta. Noregulējiet bremzi vai sazīnieties ar vietējo „Makita” apkopes centru, lai vienotos par remontu.

1. Atlasiet akumulatora kasetni, izmantojot akumulatoru atlasē slēdzi.

2. Lai ieslēgtu ierīci, uz dažām sekundēm piespiediet vadības bloka ieslēgšanas/izslēgšanas pogu.

► **Att.40:** 1. Ieslēgšanas/izslēgšanas poga

3. Pavelciet bremzes sviru, lai atlaistu bremzes sviras bloķētāju.

► **Att.41:** 1. Bloķēšanas poga 2. Bremzes svira

**PIEZĪME:** Ja ir uzstādīti aizmugures riteni, atļaidiet aizmugures riteņa bremzi.

4. Turiet rokturus stingri ar abām rokām.

► **Att.42**

5. Nospiediet slēdža mēlīti.

► **Att.43:** 1. Slēdža mēlīte

## Kravas iekraušana

**UZMANĪBU:** Pirms kravas iekraušanas ierīcē pārliecinieties, ka ir izslēgta barošana un bloķēta bremzes svira.

**UZMANĪBU:** Ja ir uzstādīti aizmugures riteni, pirms kravas iekraušanas ierīcē pārliecinieties, ka ir bloķēta aizmugures riteņa bremze.

**UZMANĪBU:** Pirms kravas iekraušanas ierīcē pārliecinieties, ka ir bloķēta kravas kaste vai kravas tilpne.

**UZMANĪBU:** Nodrošiniet kravas kraušanu tieši kravas kastē vai tilpnē. Ja krava ir izbīdīta ārā no kravas kastes vai tilpnes, tā var izkrist vai sagāzties, saskaroties ar šķēršļiem.

► **Att.44**

**UZMANĪBU:** Iekraujiet kravu tā, lai krava atrastos zemāk par acu līmeni. Pārāk augsta krava ir bīstama, jo tā aizsedz skata lauku. Tā kā krava, visticamāk, nav līdzsvarota, iespējams arī apgāšanās un traumu risks.

► **Att.45**

Kraujot kravu kravas kastē, nostipriniet tos ar virvēm, kuras piesieniet pie virvēm paredzētajiem āķiem.

► **Att.46**

## Kravas izkraušana

**UZMANĪBU:** Paceliet kravas kasti vai tilpni, ierīcei atrodoties uz līdzenas un stabilas virsmas. Darbības uz nestabilas virsmas var izraisīt nelaimes gadījumus vai traumas.

Karvu var izkraut, paceļot un pieliecot kravas kasti vai tilpni.

1. Apstādiniet ierīci un bloķējiet bremzes.

**IEVĒRĪBAI:** Lai stabilizētu ierīci, ieteicams bloķēt priekšējo riteni.

2. Atlaidiet bloķēšanas sviru.

3. Nostājieties pie ierīces sāniem, ar vienu roku pieturiet rokturi un pēc tam ar otru roku paceliet un pielieciet kravas kasti vai tilpni, bīdot kravas kastes rāmi uz augšu.

► **Att.47**

**UZMANĪBU:** Turiet cieši rokturi un kravas kastes rāmi, un strādājiet, saglabājot stabilu ķermeņa stāvokli.

**UZMANĪBU:** Saglabājiet iespējami mazu kravas apjomu. Ja krava ir liela, nemēģiniet pacelt kravas kasti. Samaziniet kravas apjomu un tikai tad paceliet kravas kasti.

**UZMANĪBU:** Pēc kravas izkraušanas nofiksējiet kravas kasti vai tilpni.



# APKOPE

**⚠UZMANĪBU:** Pirms ierīces uzglabāšanas vai arī pārbaudes vai apkopes sāksšanas vienmēr nodrošiniet, ka ierīce atrodas uz līdzenas virsmas, un bloķējiet bremzes sviru.

**⚠UZMANĪBU:** Ja ir uzstādīti aizmugurējie riteņi, pirms uzglabāšanas, pārbaudēm un apkopes pārliecinieties, ka ir bloķēta aizmugurējā riteņa bremze.

**⚠UZMANĪBU:** Pirms uzglabāšanas, pārbaudes vai apkopes vienmēr no izņemiet no mašīnas atslēgu un akumulatora kasetni.

**⚠UZMANĪBU:** Ja ierīci nelietojat, vienmēr izņemiet atslēgu. Atslēgu glabājiet drošā, bērniem nepieejamā vietā.

## Regulāras pārbaudes

- Pārbaudiet, vai skrūves un uzgriežņi ir cieši pievilkti.  
▶ **Att.48**
- Pārbaudiet, vai kravas kaste ir nofiksēta, ja bloķēšanas svira ir pilnībā pavilkta uz leju.  
▶ **Att.49:** 1. Kravas kastes fiksators 2. Bloķēšanas svira
- Pārbaudiet, vai nav traucēta bremzes sviras darbība.  
▶ **Att.50:** 1. Bremzes svira

**⚠BRĪDINĀJUMS:** Ja, pilnībā pavelkot bremzes sviru, tā pieskaras rokturim, bremzes darbība ir traucēta. Noregulējiet bremzi vai sazinieties ar vietējo „Makita” apkopes centru, lai vienotos par remontu.

- Pārbaudiet, vai priekšējais ritenis nav bojāts vai arī riepa nav zems spiediens. Pārbaudiet, vai priekšējā riepa ir pietiekams spiediens.

## Ierīces tīrīšana

**IEVĒRĪBAI:** Nekad neizmantojiet gazolīnu, benzīnu, atšķaidītāju, spirtu vai līdzīgus šķīdumus. Tas var radīt izbalēšanu, deformāciju vai plaisas.

**IEVĒRĪBAI:** Tīrot ierīci ar tekošu ūdeni, noskaļojiet arī kravas kastes vai tilpnes apakšpusi. Tīrīšanai neizmantojiet augstspiediena mazgāšanas ierīci.

Notīriet no ierīces dubļus, zemi un citus netīrumus. Tīriet ierīci ar tekošu ūdeni. Pēc tīrīšanas noslaukiet ierīci ar sausu drānu.

## Glabāšana

Izņemiet atslēgu. Glabājiet ierīci drošā, bērniem nepieejamā vietā. Glabājot ierīci, rokturus var pagriezt uz priekšpusi. Ar komplektā iekļauto uzgriežņu atslēgu atskrūvējiet īsās sešstūra skrūves un skrūves ar apcikli. Pagrieziet rokturus uz ārpusi, un pēc tam grieziet tos uz priekšpusi. Lai nofiksētu rokturus, pievelciet skrūves ar apcikli un īsās sešstūra skrūves.  
▶ **Att.51:** 1. Skrūve ar apcikli 2. Īsā sešstūra skrūve

**IEVĒRĪBAI:** Nepievelciet īsās sešstūra skrūves ar pārmērīgu spēku. Pievelciet tās ar piemērotu spēku, nodrošinot, ka rokturi ir stabili nostiprināti.

**IEVĒRĪBAI:** Neiespiediet vadus ar skrūvēm.

## Bremzes regulēšana

**⚠UZMANĪBU:** Ja uzstādīti aizmugures riteņi, pirms bremzes regulēšanas noteikti nobloķējiet aizmugurējā riteņa bremzi.

1. Noņemiet kravas kasti vai tilpni un pēc tam atveriet kravas kastes rāmi.  
▶ **Att.52:** 1. Kravas kastes rāmis
2. Pavelciet bremzes sviru, lai atlaistu bremzes sviras bloķēšanas pogu.  
▶ **Att.53:** 1. Bloķēšanas poga 2. Bremzes svira
3. Atskrūvējiet regulēšanas uznavu.  
▶ **Att.54:** 1. Regulēšanas uznavs 2. Fiksācijas uzgrieznis
4. Pievelciet tikai fiksācijas uzgriezni.  
▶ **Att.55:** 1. Fiksācijas uzgrieznis
5. Atskrūvējiet regulēšanas uznavu.  
▶ **Att.56:** 1. Regulēšanas uznavs 2. Fiksācijas uzgrieznis
6. Pievelciet tikai fiksācijas uzgriezni.  
▶ **Att.57:** 1. Fiksācijas uzgrieznis
7. Pārliecinieties, ka pilnībā piespiesta bremzes svira atrodas pusceļā no attāluma līdz rokturim. Ja bremzes svira atrodas pusceļā no attāluma līdz rokturim, veiciet 13. darbību. Ja bremzes svira neatrodas pusceļā no attāluma līdz rokturim, veiciet 8. darbību.  
▶ **Att.58:** 1. Bremzes svira
8. Atskrūvējiet tikai fiksācijas uzgriezni.  
▶ **Att.59:** 1. Fiksācijas uzgrieznis
9. Pievelciet fiksācijas uzgriezni kopā ar regulēšanas uznavu.  
▶ **Att.60:** 1. Regulēšanas uznavs 2. Fiksācijas uzgrieznis
10. Atskrūvējiet tikai fiksācijas uzgriezni.  
▶ **Att.61:** 1. Fiksācijas uzgrieznis
11. Pievelciet fiksācijas uzgriezni kopā ar regulēšanas uznavu.  
▶ **Att.62:** 1. Regulēšanas uznavs 2. Fiksācijas uzgrieznis
12. Pārliecinieties, ka pilnībā piespiesta bremzes svira atrodas pusceļā no attāluma līdz rokturim.  
▶ **Att.63:** 1. Bremzes svira
13. Salokiet kravas kastes rāmi un pēc tam nostipriniet kravas kasti vai tilpni.  
▶ **Att.64:** 1. Kravas kastes rāmis

## Riepas piepumpēšana

Pārbaudiet, vai priekšējā riepā ir vajadzīgais spiediens. Ja spiediens nav pietiekams, piepumpējiet riepu ar pumpi. Ieteicamais spiediens riepā ir 230 KPa.

► Att.65

## PAPILDU PIEDERUMI

**⚠UZMANĪBU:** Šādi piederumi un papildierīces tiek ieteiktas lietošanai ar šajā rokasgrāmatā aprakstīto Makita darbarīku. Izmantojot citus piederumus vai papildierīces, var tikt radīta traumu gūšanas bīstamība. Piederumu vai papildierīci izmantojiet tikai paredzētajam mērķim.

**⚠UZMANĪBU:** Kopā ar šo ierīci izmantojiet tikai oriģinālos "Makita" piederumus vai pierīces. Citu piederumu vai pierīču izmantošana vai izraisīt nopietnus savainojumus.

Ja jums vajadzīga palīdzība vai precīzāka informācija par šiem piederumiem, vērsieties savā tuvākajā Makita apkopes centrā.

- Kravas kaste
- Kravas tīpne
- Papildrieteņi
- Makita oriģinālais akumulators un lādētājs

**PIEZĪME:** Daži sarakstā norādītie izstrādājumi var būt iekļauti instrumenta komplektācijā kā standarta piederumi. Tie dažādās valstīs var būt atšķirīgi.

## SPECIFIKACIJOS

Modelis:		DCU180
Matmenys (I x P x A)	Kai sumontuota bagažinė	Dirbant: 1 315 mm x 1 060 mm x 900 mm Sandėliuojant: 1 110 mm x 820 mm x 820 mm
	Kai sumontuotas dubuo	Dirbant: 1 310 mm x 820 mm x 900 mm Sandėliuojant: 1 110 mm x 820 mm x 820 mm
Važiavimo greitis	Priekinė eiga	1,5 arba 3,5 km/h
	Atbulinė eiga	1,0 km/h
Mažiausias posūkio spindulys		1 075 mm (išorinis skersmuo, kai sukimo ašis yra priekinis ratas)
Didžiausias įveikiamas nuolydis		12°
Didžiausias krovumas		130 kg
Stabdys	Priekinis ratas	Trosu valdomas diskinis stabdys
	Galiniai ratai	Užfiksuojamas pedalu
Padanga	Priekinis ratas	Bekamerė padanga
	Galiniai ratai	Užsiklijuojančioji padanga
Vardinė įtampa		N.S. 18 V
Grynasis svoris	Kai sumontuota bagažinė	43,7 – 44,0 kg
	Kai sumontuotas dubuo	40,7 – 41,0 kg

- Atliekame tęstinius tyrimus ir nuolatos tobuliname savo gaminius, todėl čia pateikiamos specifikacijos gali būti keičiamos be įspėjimo.
- Įvairiose šalyse specifikacijos ir akumulatoriaus kasetė gali skirtis.
- Svoris gali priklausyti nuo priedo (-ų), įskaitant akumulatoriaus kasetę. Lengviausias ir sunkiausias deriniai pagal EPTA 2014 m. sausio mėn. procedūrą yra parodyti lentelėje.

## Tinkama akumulatoriaus kasetė ir (arba) įkroviklis

Akumulatoriaus kasetė	BL1815N / BL1820B / BL1830B / BL1840B / BL1850B / BL1860B
Įkroviklis	DC18RC / DC18RD / DC18RE / DC18SD / DC18SE / DC18SF / DC18SH

- Atsižvelgiant į gyvenamosios vietos regioną, kai kurios pirmiau nurodytos akumulatoriaus kasetės ir įkrovikliai gali būti neprieinami.

**⚠️ ĮSPĖJIMAS:** Naudokite tik akumulatoriaus kasetes ir įkroviklius, kurie nurodyti anksčiau. Naudojant bet kurias kitas akumulatoriaus kasetes ir įkroviklius, gali kilti sužeidimo ir gaisro pavojus.

**⚠️ ĮSPĖJIMAS:** Su šia mašina nenaudokite laidu prijungiamo maitinimo šaltinio, pavyzdžiui, akumulatoriaus adapterio ar nešiojamojo maitinimo šaltinio. Tokio maitinimo šaltinio kabelis gali trukdyti dirbti ir sukelti sužalojimą.

## Simboliai

Toliau yra nurodyti simboliai, kurie gali būti naudojami įrangai. Prieš naudodami įsitikinkite, kad suprantate jų reikšmę.



Perskaitykite instrukcijų vadovą.



Ni-MH  
Li-ion

Taikoma tik ES šalims  
Kadangi įrangoje yra pavojingų komponentų, panaudota elektrinė ir elektroninė įranga, akumulatoriai ir baterijos gali turėti neigiamą poveikio aplinkai ir žmonių sveikatai. Nešalinkite elektros ir elektroninių prietaisų ar baterijų kartu su buitinių atliekomis!  
Pagal Europos direktyvą dėl elektros ir elektroninės įrangos atliekų bei akumuliatorių ir baterijų ir panaudotų akumuliatorių ir baterijų bei jos pritaikymą nacionaliniams įstatymams, panaudota elektros ir elektroninė įranga, baterijos ir akumulatoriai turi būti surenkami atskirai ir pristatomi į atskirą buitinių atliekų surinkimo punktą, kuris veikia pagal aplinkos apsaugos taisykles. Tai rodo perbrauktas konteinerio ant ratukų simbolis, pateiktas ant įrangos.



Galiausiai nuleiskite svirtį ir patrinkinkite, ar bagažinė arba dubuo užfiksuoti.



Nekeiskite važiavimo krypties, kai važiuojate didelio nuolydžio nuožulnuma.



Daiktus kraukite ir iškraukite ant lygaus paviršiaus.



Daiktus ant bagažinės arba į dubenį sukraukite tolygiai.



Šio įrankio negalima naudoti viešuosiuose keliuose.



Nenaudokite žmonėms vežti.



Saugokite įrankį nuo lietaus.



Kad išjungtumėte pyptelėjimo signalą, atleiskite gaiduką į patraukite stabdžio svirtį.



Nespoksokite į spindulį.



Garantuojamas garso galios lygis pagal ES lauko triukšmo direktyvą.



Garso galios lygis pagal Australijos NSW triukšmo kontrolės reglamentą

## Numatytoji naudojimo paskirtis

Įrenginys skirtas daiktams krauti ir vežti, naudojant akumuliatorių.

## Triukšmas

Įprastas triukšmo A lygis, nustatytas pagal EN62841-1: Garso slėgio lygis ( $L_{pA}$ ): 70 dB (A) arba mažiau Paklaida (K): 3 dB (A)

Dirbant triukšmo lygis gali viršyti 80 dB (A).

**PASTABA:** Paskelbta (-os) triukšmo reikšmė (-ės) nustatyta (-os) pagal standartinį testavimo metodą ir jį galima naudoti vienam įrankiui palyginti su kitu.

**PASTABA:** Paskelbta (-os) triukšmo reikšmė (-ės) taip pat gali būti naudojama (-os) norint preliminariai įvertinti triukšmo poveikį.

**ĮSPĖJIMAS:** Dėvėkite ausų apsaugą.

**ĮSPĖJIMAS:** Faktiškai naudojant elektrinį įrankį, keliamo triukšmo dydis gali skirtis nuo paskelbtos (-ų) reikšmės (-ių), priklausomai nuo būdų, kuriais yra naudojamas šis įrankis, ir ypač nuo to, kokio tipo ruošinys apdirbamas.

**ĮSPĖJIMAS:** Siekdami apsaugoti operatorių, būtina įvertinkite saugos priemones, remdamiesi vibracijos poveikio įvertinimu esant faktinėms naudojimo sąlygoms (atsižvelgdami į visas darbo ciklo dalis, pavyzdžiui, ne tik kiek laiko įrankis veikia, bet ir kiek kartų jis yra išjungiamas bei kai jis veikia be apkravų).

## Vibracija

Vibracijos bendroji vertė (trašio vektorius suma) nustatyta pagal EN62841-1 standartą:  
Darbo režimas: veikimas be apkrovos  
Vibracijos emisija ( $a_{hv}$ ): 2,5 m/s<sup>2</sup> arba mažiau  
Paklaida (K): 1,5 m/s<sup>2</sup>

**PASTABA:** Paskelbta (-os) vibracijos bendroji (-osios) reikšmė (-ės) nustatyta (-os) pagal standartinį testavimo metodą ir jį galima naudoti vienam įrankiui palyginti su kitu.

**PASTABA:** Paskelbta (-os) vibracijos bendroji (-osios) reikšmė (-ės) taip pat gali būti naudojama (-os) norint preliminariai įvertinti vibracijos poveikį.

**ĮSPĖJIMAS:** Faktiškai naudojant elektrinį įrankį, keliamos vibracijos dydis gali skirtis nuo paskelbtos (-ų) reikšmės (-ių), priklausomai nuo būdų, kuriais yra naudojamas šis įrankis, ir ypač nuo to, kokio tipo ruošinys apdirbamas.

**ĮSPĖJIMAS:** Siekdami apsaugoti operatorių, būtina įvertinkite saugos priemones, remdamiesi vibracijos poveikio įvertinimu esant faktinėms naudojimo sąlygoms (atsižvelgdami į visas darbo ciklo dalis, pavyzdžiui, ne tik kiek laiko įrankis veikia, bet ir kiek kartų jis yra išjungiamas bei kai jis veikia be apkravų).

## EB atitikties deklaracija

*Tik Europos šalims*

EB atitikties deklaracija yra pridedama kaip šio instrukcijų vadovo A priedas.

## SAUGOS ĮSPĖJIMAI

### Bendrieji įspėjimai dirbant elektriniais įrankiais

**ĮSPĖJIMAS:** Perskaitykite visus saugos įspėjimus, instrukcijas, iliustracijas ir techninius duomenis, pateiktus kartu su šiuo elektriniu įrankiu. Nesilaikant visų toliau išvardytų instrukcijų galima patirti elektros smūgį, gali kilti gaisras ir (arba) galima sunkiai susižaloti.

### Išsaugokite visus įspėjimus ir instrukcijas, kad galėtumėte jas peržiūrėti ateityje.

Terminas „elektrinis įrankis“ pateiktuose įspėjimuose reiškia į maitinimo tinklą jungiamą (laidinį) elektrinį įrankį arba akumuliatoriaus maitinamą (belaidį) elektrinį įrankį.

### Įspėjimai dėl akumuliatorinio karučio saugumo

1. Naudodami šią mašiną, visada avėkite neslidžią apsauginę avalynę. Neslidūs uždari batai sumažins pavojų susižaloti.

2. **Apžiūrėkite taką, prieš veždami daiktus / medžiagas.** Susipažinus su taku ir įsitikinus, kad jis pakankamai platus pakrautai mašinai saugiai vairuoti, sumažės pavojus nesuvaldyti mašinos.
3. **Būkite itin atsargūs ant slidaus, pirus arba netvirto paviršiaus.** Ant šlapio bei slidaus paviršiaus, pvz., šlapioje žolingoje vietoje, ant sniego arba ledo, ir ant piruso bei netvirto paviršiaus, pvz., ant smėlėto arba žvyruoto paviršiaus, mašinos ratai gali prasčiau sukibti su paviršiumi, todėl mašiną gali būti sunkiau vairuoti ir stabdyti, ji gali būti mažiau stabili.
4. **Nenaudokite mašinos per didelio nuolydžio nuokalnėse.** Taip kils mažesnis pavojus nesuvaldyti įrankio, paslysti, nugriūti ir susižaloti. Už didžiausią rekomenduojamą didesnis nuolydis bei šoninis nuolydis gali padidinti nestabilumo pavojų ir pabloginti galimybę saugiai sustabdyti.
5. **Dirbdami nuožulniose vietose, visada tvirtai stovėkite ir dirbkite skersai nuožulnumos – niekada neikite aukštin arba žemyn, taip pat būkite itin atsargūs, kai keičiate kryptį.** Taip kils mažesnis pavojus nesuvaldyti įrankio, paslysti, nugriūti ir susižaloti.
6. **Kai tik įmanoma, stabdykite, kraukite ir iškraukite lygioje vietoje, niekada nepalikite mašinos be priežiūros nuožulnioje vietoje.** Nuožulnioje vietoje pastatyta mašina mažiau stabili nei pastatyta ant lygaus paviršiaus.
7. **Kai sustabdote nuožulnioje vietoje, visada pasukite mašiną į įkalnę arba nuokalnę ir užblokuokite nestabdomuosius ratus.** Kai mašina pasukta skersai nuožulnumos, ji mažiau stabili. Nestabdomieji ratai, ypač baldų ratukų tipo, gali pasisukti, todėl karutis gali nuriedėti nuokalnėn, net kai priekinio rato stovėjimo stabdys įjungtas.
8. **Kai paliekate mašiną be priežiūros, pastatykite ją saugioje stovėtyje vietoje ir įjunkite stovėjimo stabdį.** Stovėjimo stabdys neleidžia priekiniam ratui netikėtai pajudėti ir gali padidinti stabilumą.
9. **Įsitikinkite, kad nuovažos yra švarios, tvirtos ir saugios.** Siekiant sumažinti pavojų susižaloti, ant nuovažų turi nebūti palaidų apnašų ir jos turi būti pakankamai tvirtos, kad išlaikytų krovinį, kuriuos ketinama per juos vežti, svorį. Nuovažų apačia ir šonai turi būti tinkamai sutvirtinti, kad jos neišsilenktų ir nesiūbuotų į šonus vežant krovinį. Visos nuovažos turi būti pakankamai plačios, kad būtų galima tvirtai atsistoti vežant krovinius per jas.
10. **Kai neišverčiate krovinio arba kai paliekate mašiną, įsitikinkite, kad piltuvai nuleistas, o piltuvai ir atidaromieji bortai patikimai užfiksuoti.** Neužfiksuoti piltuvai arba atidaromieji bortai gali netikėtai atsidaryti arba pasislinkti.
11. **Venkite virš atviros erdvės sumontuotą ilginaujų nuovažų be bortelių arba turėklų.** Į didelį gylį atvirą erdvę arba atvirą tranšėją galima netyčia nukristi ir sunkiai susižaloti. Virš atviros erdvės sumontuotos nuovažos privalo būti su borteliais arba turėklais, kad mašina negalėtų nuvažiuoti nuo nuovažos.
12. **Prieš naudodami, įsitikinkite, kad visi fiksavimo varžtai tvirtai priveržti.** Galinių ratų fiksavimo varžtai ir atvirosios bagažinės priekinė bei šoninės sienelės privalo būti pritvirtinti, kad šios reguliuojamosios mašinos dalys netikėtai nepajudėtų.
13. **Niekada nedirbkite su mašina, kai ji per daug prikrauta.** Įsitikinkite, kad mašinos krovumas atitinka daiktus arba medžiagas, kuriuos ketinama vežti. Jei apkrova per didelė, mašiną sunkiau vairuoti ir sustabdyti, padidėja stabdymo trukmė ir kelias, taip pat padidėja nestabilumo pavojus.
14. **Niekada nedirbkite su mašina, kai krovinio aukštis per didelė.** Priekrovis tiek, kad krovinius kyšotų virš bagažinės bortelio krašto arba per jį, mašina gali prarasti pusiausvyrą ir jos galite nesuvaldyti.
15. **Naudokite tarą ir pririšimo virves kroviniams įtvirtinti.** Palaidi ir (arba) neįtvirtinti kroviniai dažniau pasislenka, todėl mašina gali prarasti pusiausvyrą ir jos galite nesuvaldyti.
16. **Visada tvirtai laikykite rankenas.** Nesuvaldžius mašinos, padidėja pavojus susižaloti.
17. **Ištraukite saugos raktelį, kai mašinos nenaudojate.** Ištraukus saugos raktelį, nepageidaujami asmenys, pvz., vaikai, kiti neišmokyti arba neįgalieji asmenys, negali įjungti mašinos. Be raktelio negalima įjungti maitinimo.
18. **Šio įrenginio negalima naudoti viešuosiuose keliuose.** Draudžiama naudoti karutį viešuosiuose keliuose, todėl gali būti taikomos vietinės jurisdikcijos nuobaudos, taip pat yra tikimybė patirti sužalojimų.
19. **Kai šią mašiną pakraunate ir (arba) iškraunate transportuoti, arba ją perkeliate į kitą aukštį, naudokite tvirtą plokštę su neslystančiu paviršiumi ir atsikabinti neleidžiančią funkciją.** Įsitikinkite, kad plokštė pasvirusi ne daugiau 12°. Mašiną valdykite iš lėto ir atsargiai. Naudojant nestabilioje vietoje arba greitai, mašina gali nuvirsti ir (arba) nukristi.
20. **Neardykite, neremontuokite ar nemodifikuokite šios mašinos.**

#### Naudojimas

1. **Kai dirbate su mašina, stovėkite už mašinos ir tvirtai laikykite rankenas.**
2. **Neįjunkite mašinos, užlipę ant jos.**
3. **Neleiskite kitiems važiuoti užlipus ant mašinos.**
4. **Kai įjungiate atbulinę mašinos eigą ir einate atbulomis, stebėkite taką už savęs ir būkite atsargūs, kad nepaslystumėte arba nenugriūtumėte.**
5. **Nenaudokite mašinos prasto matomumo sąlygomis, nes kyla pavojus susidurti su kliūtimis.**
6. **Kai dirbate su mašina ant nelygaus paviršiaus, sumažinkite greitį ir būkite atsargūs.**
7. **Dirbdami su mašina stenkitės nevažiuoti ant netvirto paviršiaus, kad mašina neapvirštų susmegus kelio kraštui.**
8. **N nedirbkite su mašina didesnio nei 12° nuolydžio nuožulnumose.**
9. **Pastebėję neįprastą veikimą, sustabdykite mašiną ant lygaus paviršiaus. Prieš tikrindami mašiną, patraukite stabdžio svirtį ir užfiksuokite stabdį, tada išjunkite maitinimą.**
10. **Prieš pradėdami dirbti su mašina, patikrinkite, ar fiksavimo svirtis iki galo patraukta žemyn ir visiškai užfiksuota.** Jei ji nevisiškai užfiksuota, leidžiantis nuokalne kyla nelaimingo atsiklikimo arba susižalojimo pavojus, nes gali pasvirtti bagažinė arba dubuo ir iškristi vežami daiktai.
11. **Saugokitės, kad krovinius arba kliūtis neįsinarpiotų į trosus.**

## Naudojimas nuožulnioje vietoje

1. Neikite skersai nuožulnumos.
2. Būtinai sumažinkite greitį ir būkite atsargūs.
3. Būkite atsargūs, kai paleidžiate arba sustabdoite mašiną nuožulniose vietose.
4. Nuožulniose vietose kroviniai mažiau stabilūs, todėl patikimai pritvirtinkite juos virvėmis.
5. Jei mašina tampa nestabili, atsivėlgdami į kelio sąlygas, vežkite kuo lengvesnį krovinį.
6. Nuožulniose vietose krovinys užstoja vaizdą, todėl vežkite kuo žemesnį krovinį.
7. Niekada nestatykite mašinos ant didelio nuolydžio nuožulnumos. Pastatykite mašiną ant lygaus paviršiaus, patraukite stabdžio svirtį ir užfiksukite stabdį, tada išjunkite maitinimą.
8. Nekeiskite važiavimo krypties arba greičio režimo, kai važiuojate didelio nuolydžio nuožulnuma.
9. Neatleiskite gaiduko, kai važiuojate įkalne.

Mašina gali pradėti važiuoti atbuline eiga ir sukelti nelaimingą atsitikimą.

10. Prieš pradėdami dirbti nuožulniose vietose, įsitikinkite, ar likusi pakankama akumulatoriaus galia. Jei likusi akumulatoriaus galia nepakankama, įkraukite akumuliatorių arba pakeiskite jį įkrautu akumuliatoriumi.

## Daiktų krovimas

1. Neprikraukite per daug daiktų. Kraudami daiktus laikykitės nurodymų ir apkrovos ribų, nurodytų vadove.
2. Daiktus patikimai pritvirtinkite virvėmis.
3. Daiktus dėkite ant bagažinės arba į dubenį. Jei daiktai kyšo iš bagažinės arba dubens, kyla nelaimingo atsitikimo pavojus, nes daiktai gali iškristi arba užkliūti už kliūčių, pvz., sienų.
4. Pasirūpinkite, kad sukrauti daiktai būtų žemiau akių lygio. Per aukštas krovinys užstoja vaizdą ir kelia pavojų. Taip pat kyla apvirtimo ir sužalojimo pavojus, nes tikėtina, kad krovinys nesubalansuotas.
5. Daiktus ant bagažinės arba į dubenį sukraukite tolygiai. Jei daiktai sukrauti netolygiai, kyla apvirtimo ir sužalojimo pavojus, nes tikėtina, kad krovinys nesubalansuotas.
6. Prieš kraudami daiktus arba pradėdami dirbti su mašina, patikrinkite, ar fiksavimo svirtis iki galo patraukta žemyn ir visiškai užfiksuota.
7. Siekdami užtikrinti pusiausvyrą, pirmiausia kraukite sunkius daiktus.
8. Neilginkite priekinio ir šoninių bortelių, kai važiuojate didelio nuolydžio nuožulnuma. Kai kraunami lengvi daiktai, pailginkite šoninius bortelius.
9. Kai ilginatė priekinį ir šoninius bortelius, nepailginkite jų daugiau nei iki ilginimo ribos. Šoninius bortelius pailginkite taip, kad jie būtų vienodo ilgio, taip pat tolygiai sukraukite daiktus.
10. Daiktus kraukite ir iškraukite ant lygaus paviršiaus.
11. Kai keliate ir verčiate bagažinę arba dubenį, tvirtai laikykite už rankenų bei rėmo ir stabiliai stovėkite.

## Techninė priežiūra

1. Prieš palikdami sandėliavimo vietoje arba prieš atlikdami patikrą ar techninės priežiūros darbus, visada pastatykite mašiną ant lygaus paviršiaus ir užfiksukite stabdžio svirtį.

## SAUGOKITE ŠIAS INSTRUKCIJAS.

**⚠️ ĮSPĖJIMAS:** NELEISKITE, kad patogumas ir gaminio pažinimas (įgyjamas pakartotinai naudojant) susilpnintų griežtą saugos taisyklių, taikytinų šiam gaminiiui, laikymąsi. Dėl NETINKAMO NAUDOJIMO arba saugos taisyklių, kurios pateiktos šioje instrukcijoje, nesilaikymo galima rimtai susižeisti.

## Svarbios saugos instrukcijos, taikomos akumulatoriaus kasetei

1. Prieš naudodami akumulatoriaus kasetę, perskaitykite visas instrukcijas ir perspėjimus ant (1) akumuliatorių įkroviklio, (2) akumuliatorių ir (3) akumuliatorių naudojančio gaminio.
2. Neardykite ir negadinkite akumulatoriaus kasetės. Dėl to ji gali užsidegti, per daug įkaisti arba sprogti.
3. Jei įrankio darbo laikas žymiai sutrumpėjo, nedelsdami nutraukite darbą su įrankiu. Tai gali kelti perkaitimo, nudegimų ar net sprogdimo pavojų.
4. Jei elektrolitas pateko į akis, plaukite jas tyru vandeniu ir nedelsdami kreipkitės į gydytoją. Gali kilti regėjimo praradimo pavojus.
5. Neužtrumpinkite akumulatoriaus kasetės:
  - (1) Nelieskite kontaktų degiomis medžiagomis.
  - (2) Venkite laikyti akumulatoriaus kasetę kartu su kitais metaliniais daiktais, pavyzdžiui, vinimis, monetomis ir pan.
  - (3) Saugokite akumulatoriaus kasetę nuo vandens ir lietaus.Trumpasis jungimas akumulatoriuje gali sukelti stiprią srovę, perkaitimą, galimus nudegimus ar net akumulatoriaus gedimą.
6. Nelaikykite ir nenaudokite įrankio ir akumulatoriaus kasetės vietose, kur temperatūra gali pasiekti ar viršyti 50 °C (122 °F).
7. Nedeginkite akumulatoriaus kasetės, net jei yra stipriai pažeista ar visiškai susidėvėjusi. Ugnyje akumulatoriaus kasetė gali sprogti.
8. Akumulatoriaus kasetės nekalkite, nepjaus-tykite ir nemėtykite ir taip pat į ją netrankykite kietu daiktu. Taip elgiantis, ji gali užsidegti, per daug įkaisti arba sprogti.
9. Nenaudokite pažeisto akumulatoriaus.
10. Įdėtos ličio jonų akumuliatoriaus taikomi Pavojaingų prekių teisės akto reikalavimai. Komercinis transportas, pvz., trečiųjų šalių, prekių vežimo atstovų, turi laikytis specialaus reikalavimo ant pakuočių ir ženklinių. Norėdami paruošti siųstiną prekę, pasitarkite su pavojingų medžiagų specialistu. Be to, laikykitės galimai išsamesnių nacionalinių reglamentų. Užklijuokite juosta arba padenkite atvirus kontaktus ir supakuokite akumuliatorių taip, kad ji pakuo-  
tėje nejudėtų.

11. Kai išmetate akumulatoriaus kasetę, išimkite ją iš įrankio ir išmeskite saugioje vietoje. Vadovaukitės vietos reglamentais dėl akumuliatorių išmetimo.
12. Baterijas naudokite tik su „Makita“ nurodytais gaminiais. Baterijas įdėjus į netinkamus gaminius gali kilti gaisras, gaminys pernelyg kaisti, kilti sprogdimas arba pratekėti elektrolitas.
13. Jei įrankis bus ilgą laiką nenaudojamas, akumuliatorių būtina išimti iš įrankio.
14. Darbo metu ir po akumulatoriaus kasetės gali būti įkaitusi ir dėl to nudeginti. Imdami akumulatoriaus kasetes, būkite atsargūs.
15. Tuojau pat po naudojimo nelieskite įrankio gnybtų, nes jie gali būti įkaitę tiek, kad nudegins.
16. Neleiskite, kad į akumulatoriaus kasetės gnybtus, angas ir griovelius patektų drožlių, dulkių ar žemių. Dėl to įrankis ar akumulatoriaus kasetė gali imti prastai veikti ar sugesti.
17. Jeigu įrankis nėra pritaikytas naudoti šalia aukštos įtampės elektros linijų, akumulatoriaus kasetės nenaudokite šalia aukštos įtampės elektros linijų. Dėl to gali sutrikti įrankio ar akumulatoriaus kasetės veikimas arba jie gali sugesti.
18. Laikykite akumuliatorių vaikams nepasiekiamoje vietoje.

## SAUGOKITE ŠIAS INSTRUKCIJAS.

**⚠ PERSPĖJIMAS:** Naudokite tik originalų „Makita“ akumuliatorių. Neoriginalaus „Makita“ arba pakeisto akumulatoriaus naudojimas gali nulemti gaisrą, asmens sužalojimą ir pažeidimą. Tai taip pat panaikina „Makita“ suteikiamą „Makita“ įrankio ir įkroviklio garantiją.

## Patarimai, ką daryti, kad akumulatorius veiktų kuo ilgiau

1. Pakraukite akumulatoriaus kasetę prieš ją visiškai išsikraunant. Visuomet nustokite naudoti įrankį ir pakraukite akumulatoriaus kasetę, kai pastebite, kad įrankio galia sumažėjo.
2. Niekada nekraukite iki galo įkrautos akumulatoriaus kasetės. Perkraunant trumpėja akumulatoriaus eksploatacijos laikas.
3. Akumulatoriaus kasetę kraukite esant kambario temperatūrai 10 - 40 °C. Prieš pradėdami krauti, leiskite įkaitusiai akumulatoriaus kasetei atvėsti.
4. Kai akumulatoriaus kasetės nenaudojate, ją išimkite iš įrankio ar įkroviklio.
5. Įkraukite akumulatoriaus kasetę, jei jos nenaudojate ilgą laiką (ilgiau nei šešis mėnesius).

## DALIŲ APRAŠYMAS

### Dalių aprašymas (kai sumontuota bagažinė)

► Pav.1

1	Valdymo pultas	2	Rankena
3	Gaidukas	4	Akumuliatorių dėžė
5	Priekinio rato stabdžio svirtis	6	Galiniai ratai
7	Galinio rato stabdžio pedalas	8	Lempa
9	Priekinis ratas	10	Bagaziinė

### Dalių aprašymas (kai sumontuotas dubuo)

► Pav.2

1	Valdymo pultas	2	Rankena
3	Gaidukas	4	Akumuliatorių dėžė
5	Priekinio rato stabdžio svirtis	6	Galiniai ratai
7	Galinio rato stabdžio pedalas	8	Lempa
9	Priekinis ratas	10	Dubuo

## SURINKIMAS

**⚠ PERSPĖJIMAS:** Prieš atlikdami bet kokius darbus prie mašinos, visada patikrinkite, ar mašina išjungta, o akumulatoriaus kasetė – išimta.

### Pagrindinio bloko surinkimas

1. Išimkite pagrindinį bloką ir rankenas iš dėžės.

► Pav.3

**PASTABA:** Pagrindinį bloką ir rankenas išimkite kartu, kad trosų neveiktų per didelė jėga.

2. Padėkite pakavimo medžiagas po galine pagrindinio bloko puse.

► Pav.4: 1. Pakavimo medžiaga

3. Įkiškite galinius ratus į rėmą.

► Pav.5: 1. Galiniai ratai

► Pav.6: 1. Galiniai ratai

**PASTABA:** Vietoje galinių ratų galima pritvirtinti atramas.

4. Uždėkite spyruoklinę ir paprastą poveržles ant trumpo varžto šešiabriaune galvute, tada priveržkite juos komplekte esančiu veržliarakiu.

► Pav.7: 1. Trumpas varžtas šešiabriaune galvute  
2. Spyruoklinė poveržlė 3. Poveržlė

► Pav.8

**PASTABA:** Galiniams ratams pritvirtinti būtinai naudokite trumpus varžtus šešiabriaune galvute.

**PASTABA:** Galinius ratus pritvirtinkite nustatę į vienodą padėtį abiejose pusėse.

5. Pakelkite rankenas ir įkiškite jas į pagrindinį bloką.  
► **Pav.9**

**PASTABA:** Neleiskite trosams pakliūti į A sritį, parodytą paveikslėlyje. Ilgi daiktai gali įsinarplioti į trosus ir sukelti nelaimingą atsitikimą.

**PASTABA:** Pernelyg neįtempkite trosų, keldami ir įkišdami rankenas.

**PASTABA:** Rankenas kelkite abiem rankomis.

6. Nulenkite atraminį rėmą į priekį.  
► **Pav.10:** 1. Atraminis rėmas

7. Išskleiskite rankenas, įkiškite ilgus varžtus šešiabriaune galvute į pagrindinį bloką, tada priveržkite veržles komplekte esančiu veržliarakčiu.  
► **Pav.11:** 1. Ilgas varžtas šešiabriaune galvute

8. Komplekte esančiu veržliarakčiu iš galo priveržkite varžtus su kakliuku.  
► **Pav.12:** 1. Varžtas su kakliuku

9. Komplekte esančiu veržliarakčiu iš abiejų pusių priveržkite trumpus varžtus šešiabriaune galvute, kad pritvirtintumėte rankenas.  
► **Pav.13:** 1. Trumpas varžtas šešiabriaune galvute

**PASTABA:** Trumpų varžtų šešiabriaune galvute neveržkite per stipriai. Juos priveržkite tinkama jėga, kad rankenos būtų stabiliai pritvirtintos.

**PASTABA:** Varžtais neprispauskite trosų.

10. Apkabomis pritvirtinkite trosus.  
► **Pav.14:** 1. Apkaba

11. Gražinkite atraminį rėmą.  
► **Pav.15:** 1. Atraminis rėmas

12. Traukdami stabdžio svirtį, paspauskite fiksavimo mygtuką, kad užfiksuotumėte stabdį.  
► **Pav.16:** 1. Fiksavimo mygtukas 2. Stabdžio svirtis

**⚠PERSPĖJIMAS:** Jei sumontuoti galiniai ratai, nuspaukite galinio rato stabdžio pedalą, kad užfiksuotumėte galinį ratą.

13. Užkabinkite atraminio rėmo fiksatorių ir patraukite fiksavimo svirtį žemyn, kad užfiksuotumėte atraminį rėmą.  
► **Pav.17:** 1. Atraminio rėmo fiksatorius 2. Fiksavimo svirtis

**PASTABA:** Įsitinkinkite, kad fiksavimo svirtis patikimai užfiksuota.

**PASTABA:** Fiksavimo svirtimi neprispauskite trosų.

**PASTABA:** Jei vietoje galinių ratų norite pritvirtinti atramas, nuimkite galinius ratus nuo rėmų ir prie jų pritvirtinkite atramas.

- **Pav.18:** 1. Galiniai ratai 2. Atrama

## Bagaziinės surinkimas ir sumontavimas

### Pasirenkamasis priedas

1. Išimkite bagaziinę iš dėžės, pritvirtinkite šoninius bortelius prie pagrindo rėmo, tada priveržkite varžtus rankenėle, kad pritvirtintumėte bortelius.  
► **Pav.19:** 1. Varžtas su rankenėle
2. Uždėkite bagaziinę ant pagrindinio bloko ir iš viršaus įkiškite varžtus šešiabriaune galvute su poveržlėmis į rėmus. Iš apačios priveržkite paprastas bei spyruoklines poveržles ir sparnuotąsias veržles, kad pritvirtintumėte bagaziinę.  
► **Pav.20:** 1. Ilgas varžtas šešiabriaune galvute 2. Trumpas varžtas šešiabriaune galvute 3. Poveržlė 4. Spyruoklinė poveržlė 5. Sparnuotoji veržlė

**PASTABA:** Priekyje naudokite ilgus varžtus, o gale – trumpus.

## Dubens sumontavimas

### Pasirenkamasis priedas

- Uždėkite dubenį ant pagrindinio bloko, įkiškite varžtus šešiabriaune galvute į rėmus, tada iš apačios priveržkite paprastas bei spyruoklines poveržles ir sparnuotąsias veržles, kad pritvirtintumėte dubenį.  
► **Pav.21:** 1. Varžtas šešiabriaune galvute 2. Poveržlė 3. Spyruoklinė poveržlė 4. Sparnuotoji veržlė

## VEIKIMO APRAŠYMAS

### Akumulatoriaus kasetės uždėjimas ir nuėmimas

**⚠PERSPĖJIMAS:** Prieš įdėdami arba išimdami akumulatoriaus kasetę, visada išjunkite mašiną.

**⚠PERSPĖJIMAS:** Prieš pradėdami naudoti, įsitinkinkite, ar akumulatoriaus dangtelis užfiksuotas. Kitaip gali patekti purvo, nešvarumų arba vandens ir gaminys arba akumulatoriaus kasetė gali sugesti.

**⚠PERSPĖJIMAS:** Akumulatoriaus kasetę visada įkiškite iki galo, kol nebematysite raudono indikatoriaus. Kitaip ji gali atsitiktinai iškristi iš mašinos ir sužeisti jus arba aplinkinius žmones.

**⚠PERSPĖJIMAS:** Nekiškite akumulatoriaus kasetės jėga. Jeigu kasetė sunkiai lenda, ją kiškite netinkamai.

**⚠PERSPĖJIMAS:** Nenaudokite stipriai įkaičiusios akumulatoriaus kasetės. Jei naudojama stipriai įkaičiusi akumulatoriaus kasetė, nuskamba trumpas pyptelėjimas, ir mašina automatiškai sustoja, todėl ji gali sužeisti.



## Akumulatoriaus kasetės įdėjimas

1. Pasukite fiksavimo svirtį ir atidarykite akumuliatorių dėžės dangtelį.

► **Pav.22:** 1. Fiksavimo svirtis 2. Dangtelis

2. Sulygiuokite akumulatoriaus kasetės liežuvėlių su grioveliu akumuliatorių dėžėje ir įstumkite kasetę, kad ji spragtelėdama užsifikuotų. Jei matote raudoną indikatorius viršutinėje mygtuko pusėje, akumulatoriaus kasetė nevisiškai užfiksuota.

► **Pav.23:** 1. Akumulatoriaus kasetė

3. Iki galo įkiškite fiksavimo raktą į paveikslėlyje parodytą vietą.

► **Pav.24:** 1. Fiksavimo raktas

**PASTABA:** Jei blokavimo raktelis nevisiškai įkištas, mašina neveikia.

4. Uždarykite akumuliatorių dėžės dangtelį ir pasukite fiksavimo svirtį.

► **Pav.25:** 1. Fiksavimo svirtis 2. Dangtelis

## Akumulatoriaus kasetės išėmimas

1. Pasukite fiksavimo svirtį ir atidarykite akumuliatorių dėžės dangtelį.

2. Ištraukite akumulatoriaus kasetę iš akumuliatorių dėžės, laikydami kasetės priekyje esantį mygtuką paslinktą.

► **Pav.26:** 1. Mygtukas

3. Ištraukite fiksavimo raktą.

4. Uždarykite akumuliatorių dėžės dangtelį ir pasukite fiksavimo svirtį.

## Mašinos / akumulatoriaus apsaugos sistema

Mašinoje įrengta mašinos / akumulatoriaus apsaugos sistema. Ši sistema automatiškai atjungia variklio maitinimą, kad mašina ir akumuliatorius ilgiau veiktų. Jei susidarys viena iš toliau aprašytų mašinos arba akumulatoriaus kasetės veikimo sąlygų, veikianči mašina automatiškai sustos. Prieš mašinai automatiškai sustojant, nuskamba trumpas pyptelėjimas. Kol skamba pyptelėjimas, mirksi akumulatoriaus ir šviesiodiniai indikatoriai.

## Apsauga nuo perkrovos

Kai mašina naudojama taip, kad neįprastai padidėja naudojama elektros srovė, mašina automatiškai sustoja be jokių indikacijų. Tokiu atveju išjunkite mašiną, pašalinkite per didelės apkrovos priežastį ir vėl įjunkite mašiną, kad ji būtų paleista iš naujo.

## Apsauga nuo perkaitimo

Kai mašina perkaista, ji automatiškai sustoja. Palaukite, kol mašina atvės, prieš vėl ją įjungdami. Labiausiai tikėtina, kad apsauga nuo perkaitimo suveiks, kai aplinkos temperatūra aukšta.

## Apsauga nuo visiško išsikrovimo

Kai likusi akumulatoriaus galia tampa per maža, mašina automatiškai sustoja. Jei mašina neveikia net ir spaudžiant jungiklius, išimkite akumulatoriaus kasetę ir įkraukite ją.

## Akumulatoriaus kasetės perjungimas

► **Pav.27:** 1. Akumulatoriaus pasirinkimo jungiklis

Į akumuliatorių dėžę galima įdėti vieną arba dvi akumulatoriaus kasetes, tačiau mašina maitinimui naudoja tik vieną akumulatoriaus kasetę. Prieš dirbdami su mašina, pasirinkite akumulatoriaus kasetę, paspausdami numerį akumulatoriaus pasirinkimo jungiklyje.









**PASTABA:** Jei į akumuliatorių dėžę įdėta tik viena akumulatoriaus kasetė, būtinai pasirinkite akumuliatorių dėžės skyrių, į kurį įdėta akumulatoriaus kasetė.

## Likusios akumulatoriaus galios indikacija ant akumuliatorių dėžės

**APERSPĖJIMAS:** Prieš tikrindami likusią akumulatoriaus galią arba perjungdami akumulatoriaus kasetę, būtinai sustabdykite mašiną.

► **Pav.28:** 1. Akumulatoriaus indikatorius 2. Tikrinimo mygtukas

Paspauskite tikrinimo mygtuką, kad būtų rodoma likusi akumulatoriaus energija. Akumuliatorių indikatoriai parodo atitinkamo akumulatoriaus galią.

Akumulatoriaus indikatoriaus būseną		Likusi akumuliatorių galia
Šviečia	Nešviečia	
		50–100 %
		20 - 50 %
		0 - 20 %
		Akumulatorius neįdėtas

**APERSPĖJIMAS:** Kai likusi akumulatoriaus galia tampa per maža, nuskamba trumpas pyptelėjimas. Jei mašina toliau naudojama, kai likusi akumulatoriaus galia per maža, nuskamba ilgas pyptelėjimas ir mašina automatiškai sustoja. Išgirdę trumpą pyptelėjimą, patraukite stabdžio svirtį ir užfiksuokite stabdį, tada perjunkite įkrautą akumulatoriaus kasetę arba įkraukite išsekusią akumulatoriaus kasetę. Kai akumuliatorius išsenka, mašina automatiškai staiga sustoja, todėl gali sužeisti.

**PASTABA:** Jei išgirdę trumpą pyptelėjimą toliau traukiate gaiduką, mašina automatiškai sustoja. Kai mašina automatiškai sustoja, toliau skamba pypsėjimas ir įjungiamas pagalbinis stabdys (elektrinis stabdys). Norėdami nutraukti pypsėjimą ir išjungti pagalbinį stabdį, patraukite stabdžio svirtį ir atleiskite gaiduką. Nestumkite mašinos jėga, neišjungę pagalbinio stabdžio. Kai išjungiate pagalbinį stabdį, pagal akumulatoriaus indikatorius būseną galite sužinoti, kuri akumulatoriaus apsaugos sistema suveikė.

► **Pav.29:** 1. Dega 2. Mirksi 3. Nedega 4. Apsauga nuo perkaitimo 5. Apsauga nuo visiško išsekimo 6. Apsauga nuo perkrovos

**⚠PERSPĖJIMAS:** Jei dirbant nuožulnioje vietoje pradeda skambėti pypsėjimas arba mašina automatiškai sustoja, nustumkite mašiną į saugią vietą, užfiksuokite stabdį, tada perjunkite įkrautą akumulatoriaus kasetę arba įkraukite išsekusią akumulatoriaus kasetę.

Jei vežant sunkų krovinį nuožulnioje vietoje pradeda skambėti pypsėjimas arba mašina automatiškai sustoja, nestumkite mašinos jėga. Laikydami saugumo reikalavimų, užfiksuokite stabdį, perjunkite įkrautą akumulatoriaus kasetę ir nustumkite mašiną į saugią vietą. Sumažinkite apkrovą, prieš toliau dirbdami su mašina.

**PASTABA:** Likusią akumulatoriaus galią galima patikrinti, net jei blokavimo raktelis neįkištas.

## Likusios akumulatoriaus galios rodymas

*Tik akumulatoriaus kasetėms su indikatoriumi*

► **Pav.30:** 1. Indikatorijų lemputės 2. Tikrinimo mygtukas

Paspauskite akumulatoriaus kasetės tikrinimo mygtuką, kad būtų rodoma likusi akumulatoriaus energija. Maždaug trims sekundėms užsidegs indikatorijų lemputės.

Indikatorijų lemputės			Likusi galia
Šviečia	Nešviečia	Blyksi	
			75 - 100 %
			50 - 75 %
			25 - 50 %
			0 - 25 %
			Įkraukite akumulatorių.
			Galimai įvyko akumulatoriaus veikimo triktis.

**PASTABA:** Rodmuo gali šiek tiek skirtis nuo faktinės energijos lygio – tai priklauso nuo naudojimo sąlygų ir aplinkos temperatūros.

**PASTABA:** Veikiant akumulatoriaus apsaugos sistemai ims mirksėti pirmoji (toliausiai kairėje) indikatoriaus lemputė.

## Valdymo pultas

► **Pav.31:** 1. Įjungimo mygtukas 2. Priekinės / atbulinės eigos mygtukas 3. Greičio mygtukas

Norėdami įjungti maitinimą, kelias sekundes palaikykite įjungimo mygtuką paspaustą. Paspauskite priekinės / atbulinės eigos mygtuką, kad perjungtumėte priekinės arba atbulinės eigos režimą. Paspauskite greičio mygtuką, kad perjungtumėte mažą arba didelį greitį. Kai įjungiamas maitinimas, nustatomas priekinės eigos režimas ir mažas greitis. Norėdami išjungti maitinimą, kelias sekundes palaikykite įjungimo mygtuką paspaustą.

**PASTABA:** Kol traukiamas gaidukas, tol priekinės / atbulinės eigos mygtukas neveikia.

**PASTABA:** Perjungus atbulinę mašinos eigą, nuskamba trumpas pypsėjimas.

**PASTABA:** Kai mašina važiuoja atbuline eiga, greičio mygtukas neveikia.

## Gaiduko ir stabdžio veikimas

**⚠PSPĖJIMAS:** Prieš įdėdami akumulatoriaus kasetę į mašiną, visuomet patikrinkite, ar gaiduko mygtukas gerai veikia, o atleistas grįžta į išjungimo padėtį „OFF“.

Norėdami paleisti mašiną, patraukite gaiduką. Norėdami sustabdyti mašiną, atleiskite gaiduką ir patraukite stabdžio svirtį. Jei norite užfiksuoti stabdžio svirtį, traukdami stabdžio svirtį, paspauskite fiksavimo mygtuką. Norėdami atlaisvinti, patraukite stabdžio svirtį.

► **Pav.32:** 1. Gaidukas

► **Pav.33:** 1. Fiksavimo mygtukas 2. Stabdžio svirtis

## Galinio rato stabdys

Galiniai ratai turi stabdžius. Paspauskite stabdžių pedalus į priekį, kad užfiksuotumėte stabdžius. Norėdami atlaisvinti stabdžius, spauskite stabdžių pedalo galo link.

► **Pav.34:** 1. Pedalas

## Priekinėms lemputėms uždegimas

Norėdami įjungti lemputėms, paspauskite lemputės mygtuką ant akumulatorių dėžės. Norėdami įjungti lemputėms, dar kartą paspauskite lemputės mygtuką.

► **Pav.35:** 1. Lemputės mygtuką 2. Lempa

**PASTABA:** Jei mašina nenaudojama, praėjus maždaug 10 minučių, lemputėms išsijungia.

**PASTABA:** Išjungus maitinimą, lemputėms išsijungia.

**PASTABA:** Lemputėms galima įjungti, net jei blokavimo raktelis neįkištas.

## Rankenos aukščio reguliavimas

Komplekte esančiu veržliarakčių išsukite trumpus varžtus šešiabriaune galvute ir varžtus su kakliuku, tada sureguliuokite rankenos aukštį. Galimi trys lygiai. Priveržkite varžtus su kakliuku ir trumpus varžtus šešiabriaune galvute, kad pritvirtintumėte rankeną.

- **Pav.36:** 1. Trumpas varžtas šešiabriaune galvute  
2. Varžtas su kakliuku

**PASTABA:** Nustatykite vienodą kairės ir dešinės rankenų aukštį.

**PASTABA:** Trumpų varžtų šešiabriaune galvute neveržkite per stipriai. Juos priveržkite tinkama jėga, kad rankenos būtų stabiliai pritvirtintos.

**PASTABA:** Varžtais neprispauskite trosų.

## Bagażinės pločio reguliavimas

Atlaisvinkite 4 varžtus rankenėle ir pastumkite šoninius bortelius. Priveržkite varžtus rankenėle, kad pritvirtintumėte šoninius bortelius.

- **Pav.37:** 1. Varžtas su rankenėle 2. Bortelis

**▲PERSPĖJIMAS:** Bortelių nepastumkite daugiau nei iki ribos žymės.

- **Pav.38**

## NAUDOJIMAS

### Mašinos naudojimas

**PASTABA:** Šioje mašinoje priekinį ratą varo akumulatoriaus maitinamas variklis. Šią mašiną naudokite, kad būtų lengviau atlikti pernešimo darbus.

**PASTABA:** Prieš dirbdami, įkiškite blokavimo raktelį į akumuliatorių dėžę. Jei blokavimo raktelis neįkištas, patraukus gaiduką, nuskamba trumpas pytelėjimas. Atleidus gaiduką ir patraukus stabdžio svirtį, pypsėjimas išjungiamas.

Prieš naudodami mašiną patikrinkite, ar tinkamai veikia stabdžių svirtis.

- **Pav.39:** 1. Stabdžio svirtis

**▲JSPĖJIMAS:** Jei iki galo patraukus stabdžio svirtį ji liečia rankeną, tai reiškia, kad stabdys veikia netinkamai. Sureguliuokite stabdį arba kreipkitės į vietos „Makita“ techninės priežiūros centrą dėl remonto.

1. Akumulatoriaus pasirinkimo jungikliu pasirinkite akumulatoriaus kasetę.
2. Paspauskite įjungimo mygtuką valdymo pulte ir palaikykite jį paspaustą kelias sekundes, kad įjungtumėte maitinimą.  
► **Pav.40:** 1. Įjungimo mygtukas
3. Patraukite stabdžio svirtį, kad atlaisvintumėte stabdžio svirties fiksatorių.  
► **Pav.41:** 1. Fiksavimo mygtukas 2. Stabdžio svirtis

**PASTABA:** Jei sumontuoti galiniai ratai, išjunkite galinio rato stabdį.

4. Abiem rankomis tvirtai laikykite rankenas.

- **Pav.42**

5. Patraukite gaiduką.

- **Pav.43:** 1. Gaidukas

## Daiktų krovimas

**▲PERSPĖJIMAS:** Prieš kraudami daiktus į mašiną, įsitikinkite, kad išjungtas maitinimas ir užfiksuota stabdžio svirtis.

**▲PERSPĖJIMAS:** Jei sumontuoti galiniai ratai, prieš kraudami daiktus į mašiną, įsitikinkite, kad užfiksuotas galinio rato stabdys.

**▲PERSPĖJIMAS:** Prieš kraudami daiktus į mašiną, įsitikinkite, kad bagažinė arba dubuo užfiksuotas.

**▲PERSPĖJIMAS:** Daiktus būtinai dėkite ant bagažinės arba į dubenį. Jei daiktai kyšo iš bagažinės arba dubens, užkliuvę už kliūties, jie gali iškristi arba būti pažeisti.

- **Pav.44**

**▲PERSPĖJIMAS:** Daiktus sukraukite taip, kad jie būtų žemiau akių lygio. Per aukštas krovinyvės užstoja vaizdą ir kelia pavojų. Taip pat kyla apvirtimo ir sužalojimo pavojus, nes tikėtina, kad krovinyvės nesubalansuotos.

- **Pav.45**

Sukrovę daiktus ant bagažinės, įtvirtinkite juos virvėmis, o virves prikabinkite prie virvių kablių.

- **Pav.46**

## Krovinio išvertimas

**▲PERSPĖJIMAS:** Bagažinę arba dubenį kelkite ant lygaus ir stabilaus paviršiaus. Atliekant tai ant nestabilaus paviršiaus, gali įvykti nelaimingas atsitikimas arba galite susižaloti.

Krovinį galima išversti pakeliant ir paverčiant bagažinę arba dubenį.

1. Sustabdykite mašiną ir užfiksuokite stabdžius.

**PASTABA:** Rekomenduojama atremti priekinį ratą, kad stabilizuotumėte mašiną.

2. Atleiskite fiksavimo svirtį.
3. Atsistokite mašinos šone, viena ranka laikykitės už rankenos, o kita ranka stumkite atraminį rėmą aukštyn, kad pakeltumėte ir paverstumėte bagažinę arba dubenį.  
► **Pav.47**

**▲PERSPĖJIMAS:** Tvirtai laikykite rankeną bei atraminį rėmą ir stabiliai stovėkite.

**▲PERSPĖJIMAS:** Krovinyvės turi būti kuo lengvesnės. Jei krovinyvės per sunkus, nebandykite kelti atraminio rėmo. Sumažinkite krovinio svorį ir tada pakelkite atraminį rėmą.

**▲PERSPĖJIMAS:** Išvertę krovinį, būtinai užfiksuokite bagažinę arba dubenį.

# TECHINĖ PRIEŽIŪRA

**▲PERSPĖJIMAS:** Prieš palikdami sandėliavimo vietoje arba prieš atlikdami patikrą ar techninės priežiūros darbus, visada pastatykite mašiną ant lygaus paviršiaus ir užfiksuokite stabdžio svirtį.

**▲PERSPĖJIMAS:** Jei sumontuoti galiniai ratai, prieš palikdami sandėliavimo vietoje, atlikdami patikrą arba techninės priežiūros darbus, įsitinkite, kad užfiksuotas galinio rato stabdys.

**▲PERSPĖJIMAS:** Prieš palikdami sandėliavimo vietoje, atlikdami patikrą arba techninės priežiūros darbus, visada įsitinkite, ar ištrauktas blokavimo raktelis ir išimta akumuliatoriaus kasetė.

**▲PERSPĖJIMAS:** Kai mašina nenaudojama, visada ištraukite blokavimo raktelį. Blokavimo raktelį laikykite saugioje, vaikams nepasiekiamoje vietoje.

## Reguliarūs patikros

- Patikrinkite, ar varžtai ir veržlės tvirtai priveržti.  
▶ **Pav.48**
- Patikrinkite, ar užfiksuojama bagažinė, kai fiksavimo svirtis patraukiama iki galo žemyn.  
▶ **Pav.49:** 1. Atraminio rėmo fiksatorius 2. Fiksavimo svirtis
- Patikrinkite, ar stabdžio svirtis tinkamai veikia.  
▶ **Pav.50:** 1. Stabdžio svirtis

**▲PERSPĖJIMAS:** Jei iki galo patraukus stabdžio svirtį ji liečia rankeną, tai reiškia, kad stabdys veikia netinkamai. Sureguliuokite stabdį arba kreipkitės į vietos „Makita“ techninės priežiūros centrą dėl remonto.

- Patikrinkite, ar priekinis ratas nepažeistas ir ar nesubliuškusi jo padanga. Patikrinkite, ar priekinio rato padanga pakankamai pripūsta.

## Mašinos valymas

**PASTABA:** Niekada nenaudokite gazolino, benzino, tirpiklio, spirito arba panašių medžiagų. Gali atsirasti išblukimų, deformacijų arba įtrūkimų.

**PASTABA:** Kai mašiną plaunate tekančiu vandeniu, vandenį pilkite žemiau bagažinės arba dubens. Mašinai plauti nenaudokite aukšto slėgio plovimo aparato.

Nuvalykite purvą, nešvarumus ir panašias apnašas nuo mašinos. Nuplaukite mašiną tekančiu vandeniu. Nuplovę nušluostykite mašiną sausa šluoste.

## Sandėliavimas

Ištraukite blokavimo raktelį. Mašiną laikykite saugioje, vaikams nepasiekiamoje vietoje.

Kai mašina laikoma sandėliavimo vietoje, rankenas galima pasukti į priekį. Komplekte esančiu veržliarakčiu išsukite trumpus varžtus šešiabriaune galvute ir varžtus su kakliuku. Pirma pasukite rankenas išorėn, o paskui – į priekį. Priveržkite varžtus su kakliuku ir trumpus varžtus šešiabriaune galvute, kad pritvirtintumėte rankenas.

▶ **Pav.51:** 1. Varžtas su kakliuku 2. Trumpas varžtas šešiabriaune galvute

**PASTABA:** Trumpų varžtų šešiabriaune galvute neveržkite per stipriai. Juos priveržkite tinkama jėga, kad rankenos būtų stabiliai pritvirtintos.

**PASTABA:** Varžtais neprispauskite trosų.

## Stabdžio reguliavimas

**▲PERSPĖJIMAS:** Jei sumontuoti galiniai ratai, prieš reguliuodami stabdį, būtinai užfiksuokite galinio rato stabdį.

1. Nuimkite bagažinę arba dubenį ir nulenkite atraminį rėmą.  
▶ **Pav.52:** 1. Atraminis rėmas
2. Patraukite stabdžio svirtį, kad atlaisvintumėte stabdžio svirties fiksavimo mygtuką.  
▶ **Pav.53:** 1. Fiksavimo mygtukas 2. Stabdžio svirtis
3. Atlaisvinkite reguliavimo įvorę ir fiksuojamoji veržlę.  
▶ **Pav.54:** 1. Reguliavimo įvorė 2. Fiksuojamoji veržlė
4. Priveržkite tik fiksuojamoji veržlę.  
▶ **Pav.55:** 1. Fiksuojamoji veržlė
5. Atlaisvinkite reguliavimo įvorę ir fiksuojamoji veržlę.  
▶ **Pav.56:** 1. Reguliavimo įvorė 2. Fiksuojamoji veržlė
6. Priveržkite tik fiksuojamoji veržlę.  
▶ **Pav.57:** 1. Fiksuojamoji veržlė
7. Įsitinkite, kad iki galo patraukus stabdžio svirtį ji yra ties pusiaukele iki rankenos. Jei stabdžio svirtis yra ties pusiaukele iki rankenos, pereikite prie 13 veiksmo. Jei stabdžio svirtis nėra ties pusiaukele iki rankenos, pereikite prie 8 veiksmo.  
▶ **Pav.58:** 1. Stabdžio svirtis
8. Atlaisvinkite tik fiksuojamoji veržlę.  
▶ **Pav.59:** 1. Fiksuojamoji veržlė
9. Kartu priveržkite fiksuojamoji veržlę ir reguliavimo įvorę.  
▶ **Pav.60:** 1. Reguliavimo įvorė 2. Fiksuojamoji veržlė
10. Atlaisvinkite tik fiksuojamoji veržlę.  
▶ **Pav.61:** 1. Fiksuojamoji veržlė
11. Kartu priveržkite fiksuojamoji veržlę ir reguliavimo įvorę.  
▶ **Pav.62:** 1. Reguliavimo įvorė 2. Fiksuojamoji veržlė

12. Įsitikinkite, kad iki galo patraukus stabdžio svirtį ji yra ties pusiaukele iki rankenos.

► **Pav.63:** 1. Stabdžio svirtis

13. Gražinkite atraminį rėmą ir pritvirtinkite bagažinę arba dubenį.

► **Pav.64:** 1. Atraminis rėmas

## Padangos pripūtimas

Patikrinkite, ar priekinio rato padangoje netrūksta oro. Jei padangoje trūksta oro, pompa pripūskite padangą. Rekomenduojamas slėgis padangoje yra 230 KPa.

► **Pav.65**

## PASIRENKAMI PRIEDAI

**⚠ PERSPĖJIMAS:** Šiuos papildomus priedus arba įtaisus rekomenduojama naudoti su šioje instrukcijoje nurodytu „Makita“ bendrovės įrankiu. Naudojant bet kokius kitus papildomus priedus arba įtaisus, gali kilti pavojus sužeisti žmones. Naudokite tik nurodytam tikslui skirtus papildomus priedus arba įtaisus.

**⚠ PERSPĖJIMAS:** Įrenginiui naudokite tik „Makita“ įtaisą arba priedą. Naudojant bet kokius kitus priedus arba įtaisus, galima sunkiai susižeisti.

Jeigu norite daugiau sužinoti apie tuos priedus, kreipkitės į artimiausią „Makita“ techninės priežiūros centrą.

- Bagažinė
- Dubuo
- Papildomi ratukai
- Originalūs „Makita“ akumulatorius ir įkroviklis

**PASTABA:** Kai kurie sąraše esantys priedai gali būti pateikti įrankio pakuotėje kaip standartiniai priedai. Jie įvairiose šalyse gali skirtis.

## TEHNILISED ANDMED

Mudel:		DCU180
Mõõtmed (P × L × K)	Kui kandur on paigaldatud	Töötamise ajal: 1 315 mm × 1 060 mm × 900 mm Hoiundatult: 1 110 mm × 820 mm × 820 mm
	Kui korv on paigaldatud	Töötamise ajal: 1 310 mm × 820 mm × 900 mm Hoiundatult: 1 110 mm × 820 mm × 820 mm
Liikumiskiirus	Edasisuunas	1,5 või 3,5 km/h
	Tagasisuunas	1,0 km/h
Minimaalne pöördearadiused		1 075 mm (välimine diameeter, keerates nii, et esiratas toimib teljena)
Maksimaalne ronimisvõimekus		12°
Maksimaalne kandevõime		130 kg
Pidur	Esiratas	Traadiga ketaspidur
	Tagaratas	Pedaaliga fikseeritud
Rehv	Esiratas	Sisekummita rehv
	Tagaratas	Isetihenduv rehv
Nimipinge		Alalisvool 18 V
Netokaal	Kui kandur on paigaldatud	43,7 - 44,0 kg
	Kui korv on paigaldatud	40,7–41,0 kg

- Meie pideva uuringu- ja arendusprogrammi tõttu võidakse tehnilisi andmeid muuta ilma sellest ette teatamata.
- Tehnilised andmed ja akukassett võivad riigiti erineda.
- Kaal võib erineda olenevalt lisaseadistest, kaasa arvatud akukassettidest. Kergeim ja raskeim kombinatsioon EPTA-protseduuri 01/2014 kohaselt on toodud tabelis.

## Sobiv akukassett ja laadija

Akukassett	BL1815N / BL1820B / BL1830B / BL1840B / BL1850B / BL1860B
Laadija	DC18RC / DC18RD / DC18RE / DC18SD / DC18SE / DC18SF / DC18SH

- Mõned eespool loetletud akukassetid ja -laadijad ei pruugi olla teie riigis saadaval.

**⚠ HOIATUS:** Kasutage ainult ülalpool loetletud akukassette ja laadijaid. Muude akukassettide ja laadijate kasutamine võib tekitada vigastusi ja/või tulekahju.

**⚠ HOIATUS:** Ärge kasutage selle masinaga juhtmega vooluvärustust nagu akuadapter või portatiivne akukomplekt. Sellise vooluvärustuse juhe võib tööd takistada ja põhjustada kehavigastusi.

## Sümbolid

Alljärgnevalt kirjeldatakse tingimärke, mida võidakse seadmel kasutada. Enne seadme kasutamist tehke endale selgeks nende tähendus.



Lugege juhendit.



Ainult EL-i riikide puhul  
Seadmes sisalduvate ohtlike osade tõttu võivad elektri- ja elektroonikaseadmete jäätmel, akud ja patareid avaldada negatiivset mõju keskkonnale ja inimeste tervisele.  
Elektri- ja elektroonikaseadmeid ega akusid ei tohi kõrvaldada koos olmejäätmetega!  
Euroopa elektri- ja elektroonikaseadmete jäätmel, akude ja patareide ning nende jäätmel direktiivi ja riiklikku õigusesse ülevõtmise kohaselt tuleb elektri- ja elektroonikaseadmete, akude ja patareide jäätmel koguda eraldi ning viia eraldiseisvasse olmejäätmete kogumispunkti, mis tegutseb kooskõlas keskkonnakaitse eeskirjadega. Sellele osutab seadmele paigaldatud läbikriipsutatud ratastega prügikasti sümbol.



Tõmmake hoob täielikult alla ja kontrollige, kas kandur või korv on lukustatud.



Ärge muutke järskudel kallakutel suunda.



Laadige esemed peale ja maha tasasel pinnasel.



Laadige esemed kandurile või korvi ühtlaselt.



Seda masinat ei tohi kasutada avalikult kasutataval teel.



Ärge kasutage inimeste transpordiks.



Ärge jätke vihma kätte.



Piiksumise väljalülitamiseks vabastage lüliti päästik ja tõmmake pidurihooba.



Ärge vaadake kiire sisse.



Garanteeritud helivõimsustase ELI välistingimustes kasutatavate seadmete müra direktiivi kohasel.



Helivõimsustase Austraalia NSW mürakontrolli määruse kohaselt

## Kavandatud kasutus

Masin on ette nähtud akutoitel töötavate esemete peale laadimiseks ja vedamiseks.

## Müra

Tüüpiline A-korrigeeritud müratase, määratud standardi EN62841-1 kohaselt:

Helirõhutatase ( $L_{pA}$ ): 70 dB (A) või vähem  
Määramatus (K): 3 dB (A)

Töötamisel võib müratase ületada 80 dB (A).

**MÄRKUS:** Deklareeritud müra väärtust (väärtuseid) on mõõdetud kooskõlas standardse katsemetodiga ning seda võib kasutada ühe seadme võrdlemiseks teisega.

**MÄRKUS:** Deklareeritud müra väärtust (väärtuseid) võib kasutada ka mürataseme esmaseks hindamiseks.

**!HOIATUS:** Kasutage kõrvakaitsmeid.

**!HOIATUS:** Müratase võib elektritööriista tegelikkuses kasutamise ajal erineda deklareeritud väärtus(t)est olenevalt tööriista kasutusviisidest ja eriti töödeldavast toorikust.

**!HOIATUS:** Rakendage operaatori kaitsmiseks kindlasti piisavaid ohutusabinõusid, mis põhinevad hinnangulisel müratasemel tegelikus tööolukorras (võttes arvesse tööperioodi kõiki osasid, näiteks korrad, kui seade lülitatakse välja ja seade töötab tühikäigul, lisaks tööajale).

## Vibratsioon

Vibratsiooni koguväärtus (kolmeteljeliste vektorite summa) määratud standardi EN62841-1 kohaselt:  
Tõrežiim: töötamine ilma laenguta  
Vibratsiooniheid ( $a_{h1}$ ): 2,5 m/s<sup>2</sup> või vähem  
Määramatus (K): 1,5 m/s<sup>2</sup>

**MÄRKUS:** Deklareeritud vibratsiooni koguväärtust (-väärtuseid) on mõõdetud kooskõlas standardse katsemetodiga ning seda võib kasutada ühe seadme võrdlemiseks teisega.

**MÄRKUS:** Deklareeritud vibratsiooni koguväärtust (-väärtuseid) võib kasutada ka mürataseme esmaseks hindamiseks.

**!HOIATUS:** Vibratsioonitase võib elektritööriista tegelikkuses kasutamise ajal erineda deklareeritud väärtus(t)est olenevalt tööriista kasutusviisidest ja eriti töödeldavast toorikust.

**!HOIATUS:** Rakendage operaatori kaitsmiseks kindlasti piisavaid ohutusabinõusid, mis põhinevad hinnangulisel müratasemel tegelikus tööolukorras (võttes arvesse tööperioodi kõiki osasid, näiteks korrad, kui seade lülitatakse välja ja seade töötab tühikäigul, lisaks tööajale).

## EÜ vastavusdeklaratsioon

*Ainult Euroopa riikide puhul*

EÜ vastavusdeklaratsioon sisaldub käesoleva juhendi Lisas A.

## OHUTUSHOIATUSED

### Üldised elektritööriistade ohutushoiatused

**!HOIATUS:** Lugege läbi kõik selle elektritööriistaga kaasas olevad ohutushoiatused, juhised, joonised ja tehnilised andmed. Järgnevate juhiste eiramine võib põhjustada elektrilöögi, süttimise ja/või raske kehavigastuse.

### Hoidke edaspidisteks viideks alles kõik hoiatused ja juhtnöörid.

Hoiatustes kasutatud termini „elektritööriist“ all peetakse silmas elektriga töötavaid (juhtmega) elektritööriistu või akuga töötavaid (juhtmata) elektritööriistu.

### Akutoitega aiakäru ohutushoiatused

1. Kandke masinaga töötamise ajal alati mittelibisevaid ja kaitsvaid jalatsmeid. Libisemisvastased, suletud varbaosaga turvasaapad ja -kingad vähendavad vigastuste ohtu.
2. Enne esemete/materjalide vedamist kontrollige tee üle. Kui olete teega tuttav ja kindel, et see on koormaga masina ohutuks juhtimiseks piisavalt lai, aitab see vähendada masina üle kontrolli kaotamise ohtu.

3. **Olge libedal, lahtise pinnasega ja ebastabiilsele maastikule eriti ettevaatlik.** Märjad ja libedad pinnad, näiteks märg rohuga kaetud ala, lumi või jää ning lahtise pinnaga ja ebastabiilne maastik, näiteks liivased ja kruusaga kaetud pinnad, võivad põhjustada masina haarde kadumise ning mõjutada juhtimist, pidurdamist ja stabiilsust ebasoodsal viisil.
  4. **Ärge kasutage masinat liiga järskudel kallakutel.** See vähendab kontrolli kaotamise, libisemise ja kukkumise ohtu, mis võib põhjustada kehavigastusi. Kallakud, mis on suuremääral soovitatavast määrast ja kaasnevast määrast suuremad, võivad suurendada ebastabiilsuse ohtu ja mõjutada ohutu peatumise võimet.
  5. **Kallakutel töötades veenduge alati, et teie jalgealune oleks kindel, töötage alati kallaku esiküljega risti, mitte kunagi üles või alla, ning olge suunda muutes alati väga ettevaatlik.** See vähendab kontrolli kaotamise, libisemise ja kukkumise ohtu, mis võib põhjustada kehavigastusi.
  6. **Võimaluse korral kasutage peatumiseks, koorma peale ja maha laadimiseks alati tase-seid pindu ning ärge jätke masinat kunagi kallakule järelevalveta.** Masin on kallakul seistes ebastabiilsem kui tasasel pinnal seistes.
  7. **Kallakul peatudes suunake masina esiosa üles- või allamäge ja blokeerige pidurdamata rattad.** Masin on kallakuga risti seistes vähem stabiilne. Pidurdamata rattad, eriti rulliku tüüpi, võivad pöörata ja allamäge veereda isegi siis, kui esiratta seisupidur on rakendatud.
  8. **Jättes masina järelevalveta, rakendage seisupidur kohe, kui masin on ohutule alale paigutatud.** Seisupidur hoiab ära esiratta soovimatu liikumise ja võib stabiilsust parandada.
  9. **Veenduge, et kaldteed oleks puhtad, tugevad ja turvalised.** Vigastuste ohu vähendamiseks peavad kõik kaldteed olema ilma lahtise prahita ja piisavalt tugevad, et pidada vastu eeldatavale koormusele, mida neist üle liigutatakse. Nende all ja külgedel peab olema piisav blokeering, et hoida ära koormuse all kõrvalekaldumist ja küljelt-küljele liikumist. Kõik kaldteed peavad olema piisavalt laiad, et koormaid neist üle lükates oleks kindel jalgealune.
  10. **Veenduge, et kolu oleks all ning kolu ja maha-laadimisluugid oleks koorma mittemahalaadimise ajal ja masinat hoiustades kindlalt riiviga kinnitatud.** Riiviga kinnitamata kolu või mahalaadimisluugid võivad ootamatult avaneda või nihkuda.
  11. **Vältige kaldteede pikendamist ilma lisakateteta või rõbasteta üle avatud alade.** Tõstetud avatud alad ja avatud sooned kutsuvad esile ootamatuid kukkumisi ning suurendavad tõsiste vigastuste tekkimise tõenäosust. Kasutage kaldteedel lisakateteid või rõbaid, et masin ei sõidaks kaldteelt maha.
  12. **Enne kasutamist veenduge, et kõik fiksaatorkrivid oleks tugevalt kinni.** Tagaratta fiksaatorkrivid ning avatud tüüpi kanduri esi- ja küljesead peavad olema kinnitatud, et hoida ära nende reguleeritavate masinaosade soovimatu liikumine.
  13. **Ärge kasutage masinat kunagi ülekoormatuna.** Veenduge, et masinal oleks veetavatele esemetele või materjalidele vastav kandevõime. Üleliigne koorem muudab masina raskemini manööverdavatavaks ja peatatavaks, suurendab peatumise aega ja teekonda ning ebastabiilsuse ohtu.
  14. **Ärge kasutage oma masinat kunagi üleliia vinnastatuna.** Vinnastatud materjal, mis ulatub üle aluse serva või üle aluse külgedele, võib põhjustada masina mittekontrollitava tasakaalustatuse ja juhitavuse.
  15. **Kasutage koormate kinnitamiseks ümbriseid ja kinniseid.** Lahtised ja/või ebakindlad koormad nihkuvad suurema tõenäosusega paigast ning selle tulemuseks on stabiilsuse ja juhitavuse kadumine.
  16. **Hoidke alati kindlalt käepidemetest kinni.** Kontrolli kaotamine võib suurendada kehavigastuste ohtu.
  17. **Mittekasutamise korral eemaldage turvavõti.** Turvavõti hoiab ära masina soovimatu akutoitega kasutamise, näiteks laste või teiste väljaõppeta või loolitamata isikute poolt. Ilma võtmeta ei saa elektoritoidet sisse lülitada.
  18. **Seda masinat ei tohi kasutada avalikult kasutatavatel teedel.** Kärü kasutamine avalikel teedel on ebaseaduslik ja võib kaasa tuua kohaliku kohtualluvuse karistuse ning põhjustada kehavigastusi.
  19. **Kasutage tugevat plaati, millel on libisemis- ja eraldumisvastane funktsioon, kui seda masinat laaditakse transportimiseks peale/maha või liigutatakse erinevate tasandite vahel.** Veenduge, et plaadi kalle ei ületaks 12°, ning tegutsege masinaga aeglaselt ja ettevaatlikult. Ebastabiilse ja kiire tegutsemise tulemuseks võib olla ümberminek ja/või kukkumine.
  20. **Ärge võtke osadeks lahti, parandage ega muutke seda masinat.**
- Kasutamine**
1. **Masinat kasutades seiske selle taga ja hoidke tugevalt käepidemetest.**
  2. **Ärge kasutage masinat sellel sõites.**
  3. **Ärge lubage teistel masinal sõita.**
  4. **Kui kasutate masinat tagasisuunas ja tagurpidi kõndides, vaadake enda taha ning olge ettevaatlik, et te ei libiseks ega komistaks.**
  5. **Ärge kasutage masinat halva nähtavuse korral, kuna sel juhul on oht takistuste otsa sõitmiseks.**
  6. **Masinat keerulisel pinnasel kasutades vähendage kiirust ja olge ettevaatlik.**
  7. **Masinat kasutades vältige pehmet pinnast, et vältida ümberminekut tee serva kokkulangemise tõttu.**
  8. **Ärge kasutage masinat ülespoole suunduvat kallakutel, mille kalle on suurem kui 12°.**
  9. **Kui märkate kõrvalekallet, peatage masin tasasel pinnasel.** Enne masina kontrollimist tõmmake pidurihooba ja lukustage pidur, seejärel lülitage toide välja.
  10. **Enne masina kasutamist veenduge, et lukustushoob oleks täielikult alla tõmmatud ja täielikult lukustatud.** Kui lukustus ei ole täielik, esineb õnnetuse või vigastuste oht, kuna kandur või korv võib olla kaldus ja esemed võivad allamäge liikudes kukkuda.
  11. **Olge hoolikas, et juhtmed ei takerduks koorma või takistuste külge.**
- Töötamine kallakutel**
1. **Ärge sõitke kallakutel ristisuunas.**
  2. **Vähendage kiirust ja olge ettevaatlik.**
  3. **Masinat kallakutel käivitades või peatades olge ettevaatlik.**



4. Kuna koorem muutub kallakutel vähem stabiilseks, kinnitage see kindlalt kõitega.
5. Kuna masin muutub ebastabiilseks olenevalt tingimustest teel, hoidke koorem minimaalsena.
6. Kuna vaateväli on kallakutel varjatud, hoidke koorma kõrgus minimaalsena.
7. Ärge kunagi parkige masinat järskudel kallakutel. Parkige masin tasasele pinnale, tõmmake pidurihooba ja lukustage pidur, seejärel lülitage toide välja.
8. Ärge muutke järskudel kallakutel suunda ega kiiruse režiimi.
9. Ärge vabastage ülespoole suunatud kallakutel lüliti päästikut. Masin võib tagasisuunas liikuda ja õnnetuse põhjustada.
10. Enne kallakutel töötamist veenduge, et aku jääkmahutavus oleks piisav. Kui aku jääkmahutavus ei ole piisav, laadige akut või vahetage see täislaetud aku vastu.

#### Esemete pealelaadimine

1. Ärge laadige peale liiga palju esemeid. Esemeid laadides järgige juhendis toodud juhiseid ja laadimispiiranguid.
2. Kinnitage esemed tugevalt kõitega.
3. Laadige esemed kanduri või korvi sisse. Kui esemed tungivad kandurist või korvist välja, on oht välja kukkuvate esemete põhjustatud õnnetuste tekkeks või kokkupuuteks objektidega, näiteks seintega.
4. Veenduge, et peale laaditud objektid oleks silmadest allpool. Kui koorem on liiga kõrge, on see ohtlik, kuna vaateväli on varjatud. Samuti esineb ümbermineku- ja vigastusohu, kuna koorem on suure tõenäosusega tasakaalust väljas.
5. Laadige esemed kandurile või korvi ühtlaselt. Kui esemed on ebaühtlaselt laaditud, esineb ümbermineku- ja vigastusohu, kuna koorem on suure tõenäosusega tasakaalust väljas.
6. Enne esemete pealelaadimist või masina kasutamist veenduge, et lukustushoob oleks täielikult alla tõmmatud ja täielikult lukustatud.
7. Laadige rasked objektid tasakaalu hoidmiseks esimesena.
8. Ärge pikendage eesmisi ja külgmisi rööpaid järskudel kallakutel. Pikendage külgmiseid rööpaid, kui kerged esemed on peale laaditud.
9. Eesmisi ja külgmisi rööpaid pikendades ärge kasutage neid üle pikendamise piirangu. Pikendage külgmiseid rööpaid nii, et parem ja vasak külg oleks sama pikkusega, ja laadige esemed peale ühtlaselt.
10. Laadige esemed peale ja maha tasasel pinnasel.
11. Kandurit või korvi tõstes ja kallutades hoidke käepidemeid ja raami tugevalt ning töötage stabiilses asendis.

#### Hooldus

1. Parkige masin alati tasasele pinnasele ja lukustage pidurihoob enne hoiundamist, ülevaatus või hooldust.

## HOIDKE JUHEND ALLES.

**⚠️ HOIATUS: ÄRGE UNUSTAGE** järgida toote ohutusnõudeid mugavuse või toote (korduskasutamisega saavutatud) hea tundmise tõttu. **VALE KASUTUS** või kasutusjuhendi ohutuseeskirjade eiramine võib põhjustada tervisekahjustusi.

## Akukassetiga seotud olulised ohutusjuhised

1. Enne akukassetti kasutamist lugege (1) akulaadidajal, (2) akul ja (3) seadmel olevad juhtnõidid ja hoiatused läbi.
2. Ärge võtke akukassetti lahti ega muutke seda. See võib põhjustada tulekahju, liigset kuumust või plahvatus.
3. Kui tööaeg järsult lüheneb, siis lõpetage kohe kasutamine. Edasise kasutamise tulemuseks võib olla ülekuumenemisoht, võimalikud põletused või isegi plahvatus.
4. Kui elektrolüüti satub silma, siis loputage silma puhta veega ja pöörduge koheselt arsti poole. Selline õnnetus võib põhjustada pimedaksjäämist.
5. Ärge tekitage akukassetti lühisid:
  - (1) Ärge puutuge klemme elektrijuhtidega.
  - (2) Ärge hoidke akukassetti tööriistakassis koos metall-esemetega, nagu naelad, mündid jne.
  - (3) Ärge tehke akukassetti märjaks ega jätke seda vihma kätte.
 Aku lühis võib põhjustada tugevat elektri-voolu, ülekuumenemist, põletusi ning ka seadet tõsiselt kahjustada.
6. Ärge hoidke ega kasutage tööriista ja akukassetti kohtades, kus temperatuur võib tõusta üle 50 °C (122 °F).
7. Ärge põletage akukassetti isegi siis, kui see on saanud tõsiselt vigastada või on täiesti kulunud. Akukassett võib tules plahvatada.
8. Ärge naelutage, löigake, muljuge, visake akukassetti ega laske sel kukkuda, samuti ärge lööge selle pihta kõva esemega. Selline tegevus võib põhjustada tulekahju, liigset kuumust või plahvatus.
9. Ärge kasutage kahjustatud akut.
10. Sisalduvatele liitium-ioonakudele võivad kohalduda ohtlike kaupade õigusaktide nõuded. Kaubanduslikul transportimisel, näiteks kolmandate poolte või transpordiettevõtete poolt, tuleb järgida pakendil ja siltidel toodud erinõudeid. Transportimiseks ettevalmistamisel on vajalik pidada nõu ohtliku materjali ekspordiga. Samuti tuleb järgida võimalike riiklike regulatsioonide üksikasjalikumaid nõudeid. Katke teibiga või varjake avatud kontaktid ja pakendage aku selliselt, et see ei saaks pakendis liikuda.
11. Kasutuskõlbmatuks muutunud akukassetti kõrvaldamiseks eemaldage see tööriistast ja viige selleks ette nähtud kohta. Järgige kasutuskõlbmatuks muutunud aku kõrvaldamisel kohalikke eeskirju.

12. **Kasutage akusid ainult Makita heaks kiidetud toodetega.** Akude paigaldamine selleks mitte ettenähtud toodetele võib põhjustada süttimist, ülemääraast kuumust, plahvatamist või elektrolüüdi lekkimist.
13. **Kui tööriista ei kasutata pika ajaperioodi jooksul, tuleb aku tööriistast eemaldada.**
14. **Kasutamise ajal ja pärast kasutamist võib akukassett kuumeneda, mis võib põhjustada põletusi või madala temperatuuri põletusi. Olge kuumade akukassettide kandmisel ettevaatlik.**
15. **Ärge puudutage tööriista klemmi kohe pärast kasutamist, sest see võib olla kuum ja põhjustada põletusi.**
16. **Hoidke akukassettide klemmid, avad ja sooned tükikestest, tolmust ja mullast puhtad.** Muidu võib tööriist või akukassett halvasti töötada või puruneda.
17. **Kui tööriist ei kannata kasutamist kõrgepingeliinide lähedal, ärge kasutage akukassettide kõrgepingeliinide lähedal.** Muidu võib tööriist või akukassett puruneda või sellel tõrge tekkida.
18. **Hoidke akut lastele kättesaamatult.**

## HOIDKE JUHEND ALLES.

**⚠ETTEVAATUST:** Kasutage ainult Makita originaalakusid. Mitte Makita originaalakude või muudetud akude kasutamine võib põhjustada akude süttimise, kehavigastuse ja kahjustuse. Samuti muudab see kehtetuks Makita tööriista ja laadija Makita garantii.

## Vihjeid aku maksimaalse kasutusaja tagamise kohta

1. **Laadige akukassett enne selle täielikku tühjenemist.** Kui märkate, et tööriist töötab väiksema võimsusega, peatage töö ja laadige akukassett.
2. **Ärge laadige täielikult laetud akukassett.** Ülelaadimine lühendab akude kasutusiga.
3. **Laadige akukassett toatemperatuuril 10 °C - 40 °C.** Enne laadimist laske kuumenenud akukassettil maha jahtuda.
4. **Kui te ei kasuta parajasti akukassett, eemaldage see tööriistast või laadurist.**
5. **Kui te ei kasuta akukassett kauem kui kuus kuud, laadige see.**

## OSADE KIRJELDUS

### Osade kirjeldus (kui kandur on paigaldatud)

#### ► Joon.1

1	Juhtpaneel	2	Käepide
3	Lüliti päästik	4	Akukarp
5	Pidurihoob esirattale	6	Tagaratas
7	Pidurihoob tagarattale	8	Lamp
9	Esiratas	10	Kandur

### Osade kirjeldus (kui korv on paigaldatud)

#### ► Joon.2

1	Juhtpaneel	2	Käepide
3	Lüliti päästik	4	Akukarp
5	Pidurihoob esirattale	6	Tagaratas
7	Pidurihoob tagarattale	8	Lamp
9	Esiratas	10	Korv

## KOKKUPANEK

**⚠ETTEVAATUST:** Kandke alati hoolt selle eest, et masin oleks enne igasuguseid hooldustöid välja lülitatud ja akukassett eemaldatud.

### Põhikomponendi kokkupanek

1. Võtke aluskomponent ja käepidemed karbist välja.

#### ► Joon.3

**TÄHELEPANU:** võtke aluskomponent ja käepidemed kindlasti koos välja, nii et juhtmetele ei rakenduks liigset jõudu.

2. Paigutage pakkematerjal aluskomponendi tagumise külje alla.

#### ► Joon.4: 1. Pakkematerjal

3. Sisestage tagarattad raami.

#### ► Joon.5: 1. Tagaratas

#### ► Joon.6: 1. Tagaratas

**MÄRKUS:** Tagarastaste asemel võib kinnitada tugijalad.

4. Kinnitage vedruseib ja seib lühikese kuuskantpoldi külge ja seejärel pingutage nad, kasutades pakendis olevat mutrivõtit.

#### ► Joon.7: 1. Lühike kuuskantpolt 2. Vedruseib 3. Seib

#### ► Joon.8

**TÄHELEPANU:** Kasutage tagarastaste pingutamiseks kindlasti lühikesi kuuskantpolte.

**TÄHELEPANU:** Kinnitage tagarattad mõlemal küljel samas asendis.

5. Tõstke käepidemed üles, seejärel sisestage nad aluskomponenti.

#### ► Joon.9

**TÄHELEPANU:** Ärge laske juhtmetel sattuda joonisel märgitud alasse „A”. Pikad esemed võivad juhtmetesse takerduda ja õnnetusi põhjustada.

**TÄHELEPANU:** Ärge rakendage käepidemeid tõstes ja sisestades juhtmetele üleliigset jõudu.

**TÄHELEPANU:** Tõstke käepidemed mõlema käega üles.

6. Avage kanduri raam ettepoole suunas.

#### ► Joon.10: 1. Kanduri raam

7. Voltige käepidemed lahti, seejärel sisestage pikad kuuskantpoldid aluskomponenti ning pingutage mutrid pakendis oleva mutrivõtmega.

► **Joon.11:** 1. Pikk kuuskantpolt

8. Pingutage õlapoldid tagantpoolt, kasutades pakendis olevat mutrivõtit.

► **Joon.12:** 1. Õlapolt

9. Pingutage lühikesed kuuskantpoldid mõlemalt küljelt, kasutades käepidemete kinnitamiseks pakendis olevat mutrivõtit.

► **Joon.13:** 1. Lühike kuuskantpolt

**TÄHELEPANU:** Ärge pingutage lühikesi kuuskantpolte liigse jõuga. Pingutage neid sobiva jõuga, nii et käepidemed oleks stabiilselt kinnitatud.

**TÄHELEPANU:** Ärge suruge juhtmeid poltidega kokku.

10. Kinnitage juhtmed klambritega.

► **Joon.14:** 1. Klamber

11. Voltige kanduri raam.

► **Joon.15:** 1. Kanduri raam

12. Vajutage lukustusnuppu, samal ajal piduri lukustamiseks pidurihooba tõmmates.

► **Joon.16:** 1. Lukustusnupp 2. Pidurihoob

**⚠ETTEVAATUST:** Kui tagarattad on paigaldatud, vajutage tagaratta lukustamiseks tagaratas-tele mõeldud piduripedaali.

13. Kinnitage kanduri lukk konksuga ja seejärel tõmmake lukustushoob kanduri lukustamiseks alla.

► **Joon.17:** 1. Kanduri lukk 2. Lukustushoob

**TÄHELEPANU:** Veenduge, et lukustushoob oleks kindlalt lukustatud.

**TÄHELEPANU:** Ärge suruge juhtmeid lukustus-  
hoovaga kokku.

**MÄRKUS:** Kui kinnitate tagarastaste asemel tugijalad, eemaldage tagarattad raamidelt ja kinnitage tugijalad raamidele.

► **Joon.18:** 1. Tagaratas 2. Tugijalg

## Kanduri kokkupanek ja paigaldamine

### Lisatarvik

1. Võtke kandur kastist välja, kinnitage külgmised rõõpad alusraamile ning pingutage rõõbaste kinnitamiseks tiibmuttreid.

► **Joon.19:** 1. Tiibmutter

2. Paigutage kandur aluskomponentidele ning sisestage seejärel kuuskantpoldid ja seibid ülevalt raamidesse. Pingutage seibid ja vedruseibid ning liblikmutrid altpoolt, et kandur kinnitada.

► **Joon.20:** 1. Pikk kuuskantpolt 2. Lühike kuuskantpolt 3. Seib 4. Vedruseib 5. Liblikmutter

**TÄHELEPANU:** Kasutage pikki polte ees ja lühikesi taga.

## Korvi paigaldamine

### Lisatarvik

Paigutage korv aluskomponentidele, sisestage kuuskantpoldid raamidesse, seejärel pingutage seibid ja vedruseibid ning liblikmutrid korvi kinnitamiseks altpoolt.

► **Joon.21:** 1. Kuuskantpolt 2. Seib 3. Vedruseib 4. Liblikmutter

## FUNKTSIONAALNE KIRJELDUS

### Akukasseti paigaldamine või eemaldamine

**⚠ETTEVAATUST:** Lülitage masin alati enne akukasseti paigaldamist või eemaldamist välja.

**⚠ETTEVAATUST:** Enne kasutamist lukustage kindlasti akukate. Muidu võivad pori, muld või vesi põhjustada toote või akukasseti kahjustuse.

**⚠ETTEVAATUST:** Paigaldage akukassett alati täies ulatuses nii, et punane näidik poleks nähtaval. Muidu võib see juhuslikult masinast välja kukkuda ning põhjustada teile või läheduses viibivatele isikutele vigastusi.

**⚠ETTEVAATUST:** Ärge rakendage akukasseti paigaldamisel jõudu. Kui kassett ei lähe kergesti sisse, pole see õigesti paigaldatud.

**⚠ETTEVAATUST:** Ärge kasutage kõrge temperatuuriga akukassetti. Kui kasutatakse kõrge temperatuuriga akukassetti, peatub masin automaatselt, enne kui kõlab lühike piiksuv toon, ja võib vigastusi põhjustada.

### Akukasseti paigaldamine

1. Pöörake lukustushooba ja seejärel avage akukarbi kate.

► **Joon.22:** 1. Lukustushoob 2. Kate

2. Viige akukasseti keel kohakuti akukarbil asuva pesaga ja lükake kassetti, kuni see klõpsatusega oma kohale kinnitub. Kui näete nupu ülaosas punast näidikut, pole akukassett täielikult lukustunud.

► **Joon.23:** 1. Akukassett

3. Sisestage lukustusvõti joonisel näidatud kohta nii sügavale kui võimalik.

► **Joon.24:** 1. Lukustusvõti

**MÄRKUS:** Kui lukustusvõti ei ole täielikult sisestatud, siis masin ei tööta.

4. Sulgege akukarbi kate ja seejärel pöörake lukustushooba.

► **Joon.25:** 1. Lukustushoob 2. Kate

## Akukasseti eemaldamine

1. Pöörake lukustushooba ja seejärel avage akukarbi kate.
2. Tõmmake akukassett akukarbist välja, lükates samal ajal kasseti esiküljel paiknevat nuppu.  
► **Joon.26:** 1. Nupp
3. Tõmmake lukustusvõti välja.
4. Sulgege akukarbi kate ja seejärel pöörake lukustushooba.

## Masina/aku kaitsesüsteem

Masin on varustatud masina/aku kaitsesüsteemiga. Süsteem lülitab mootori automaatselt välja, et pikendada masina ja aku tööiga. Masin seiskub käitamise ajal automaatselt, kui masina või akukasseti kohta kehtib üks järgmistest tingimustest. Enne masina automaatset peatumist kõlab lühike piiksuv heli. Akunäidikud ja LED-näidikud vilguvad, samal ajal kui kõlab piiksuv heli.

## Ülekoormuskaitse

Kui masina kasutamise käigus hakkab see tarbima ebanormaalset palju voolu, peatub masin automaatselt ilma igasuguse signaalita. Sellisel juhul lülitage masin välja ja eemaldage ülekoormuse põhjus ning seejärel lülitage masin taaskäivitamiseks sisse.

## Ülekuumenemiskaitse

Masina ülekuumenemisel seiskub masin automaatselt. Laske masinal maha jahtuda, enne kui selle uuesti sisse lülitate. Ülekuumenemiskaitse töötab tõenäoliselt kõrge temperatuuriga keskkonnas.

## Ülelaadimiskaitse

Kui aku laetuse tase on madal, siis seiskub masin automaatselt. Kui masin ei hakka tööle ka lülitate kasutamisel, eemaldage masinast akukassett ja laadige seda.

## Akukasseti vahetamine

- **Joon.27:** 1. Aku valikulüliti







Akukarpi saab paigaldada kuni kaks akukassetti, kuigi masin kasutab töötamiseks üht akukassetti. Enne masina kasutamist valige töötamiseks kasutatav akukassett, vajutades aku valikulüliti numbrit.

**TÄHELEPANU:** Kui akukarpi on paigaldatud ainult üks akukassett, valige kindlasti akukarp, millesse on akukassett paigaldatud.

## Aku jääkmahutavuse näitamine akukarbil

**ÄTTEVAATUST:** Enne aku järelejäänud mahutavuse kontrollimist või akukasseti vahetamist tuleb masin kindlasti seisata.

- **Joon.28:** 1. Akunäidik 2. Kontrollimise nupp  
Aku järelejäänud mahutavuse kontrollimiseks vajutage kontrollimise nuppu. Kummalgi akul on oma akuindikaator.

Akunäidiku olek		Aku jääkmahutavus
 Pöleb	 Ei põle	
		50–100%
		20–50%
		0–20%
		Aku ei ole paigaldatud

**ÄTTEVAATUST:** Kui aku jääkmahutavus on väike, kõlab lühike piiksuv heli. Kui jätkate masinaga töötamist aku väikese jääkmahutavusega, kõlab pikk piiksuv heli ja masin peatub automaatselt. Kui kuulete lühikest piiksuvat heli, tõmmake pidurihooba ja lukustage pidur ning seejärel vahetage akukassett laetud aku vastu või laadige akukassett. Kui allesjäänud aku mahutavus saab otsa, peatub masin äkki automaatselt ja võib põhjustada vigastusi.

**MÄRKUS:** Kui jätkate lüliti päästiku tõmbamist, isegi kui kuulete lühikest piiksuvat heli, peatub masin automaatselt. Kui masin on automaatselt peatunud, piiksuv heli jätkub ja tugipidur (elektripidur) aktiveeritakse. Piiksuva heli tühistamiseks ja tugipiduri vabastamiseks tõmmake pidurihooba ja vabastage lüliti päästik. Ärge lükake masinat jõuga, ilma tugipidurit vabastamata. Pärast tugipiduri vabastamist saate aru, milline akukaitsesüsteem töötab, kontrollides akunäidiku olekut.

- **Joon.29:** 1. Pöleb 2. Vilgub 3. Välja lülitatud 4. Ülekuumenemiskaitse 5. Ülelaadimiskaitse 6. Ülekoormuskaitse

**ÄTTEVAATUST:** Kui piiksuv heli kõlab kallakutel töötamise ajal või masin peatub automaatselt kallakutel, liigutage masin ohutusse kohta, lukustage pidur ja seejärel vahetage akukassett laetud aku vastu või laadige akukassett.

Kui tegu on suure koormaga ja piiksuv heli kõlab kallakutel töötamise ajal või kui masin peatub automaatselt kallakutel, ärge liigutage masinat jõuga. Lukustage pidur, pöörake tähelepanu ohutusele ja vahetage akukassett laetud aku vastu, seejärel liigutage masin ohutusse kohta. Vähendage enne masina uuesti kasutamist koormat.











**MÄRKUS:** Aku jääkmahutavust saate kontrollida ka siis, kui lukustusvõti ei ole sisestatud.

## Aku jääkmahutavuse näit

### Ainult näidikuga akukassetidele

► **Joon.30:** 1. Märkulambid 2. Kontrollimise nupp

Akukasseti järelejäänud mahutavuse kontrollimiseks vajutage kontrollimise nuppu. Märkulambid süttivad mõneks sekundiks.

Märkulambid			Jääkmahutavus
 Põleb	 Ei põle	 Vilgub	
			75 - 100%
			50 - 75%
			25 - 50%
			0 - 25%
			Laadige akut.
 ↑ ↓ 			Akul võib olla tõrge.

**MÄRKUS:** Näidatud mahutavus võib veidi erineda tegelikust mahutavusest olenevalt kasutustingimustest ja ümbritseva keskkonna temperatuurist.

**MÄRKUS:** Esimene (taga vasakul asuv) märgutuli vilgub, kui akukaitsesüsteem töötab.

## Juhtpaneel

► **Joon.31:** 1. Toitenupp 2. Edasi/tagasi liikumise nupp 3. Kiiruse nupp

Toite sisselülitamiseks vajutage mõne sekundi jooksul toitenuppu. Vajutage edasi/tagasi liikumise nuppu, et lülitada edasi- ja tagasisuunas liikumise režiimi vahel. Vajutage kiiruse nuppu, et lülitada väikese ja suure kiiruse vahel. Kui toide on sisse lülitatud, seadistatakse edasilikumise režiim ja väike kiirus. Toite väljalülitamiseks vajutage mõne sekundi jooksul toitenuppu.

**MÄRKUS:** Edasi/tagasi liikumise nupp ei ole lülitil päästikut tömmates kättesaadav.

**MÄRKUS:** Masinat tagasisuunas kasutades kõlab lühike piiksuv heli.

**MÄRKUS:** Kiiruse nupp ei ole masinat tagasisuunas liikumiseks kasutades kättesaadav.

## Lüliti ja piduri toimimine

**⚠ HOIATUS:** Kontrollige alati enne akukasseti masina külge paigaldamist, kas lüliti päästik funktsioneerib nõuetekohaselt ja liigub lahtilaskmisel tagasi väljalülitatud asendisse.

Masina käivitamiseks tömmake lüliti päästikut. Masina peatamiseks vabastage lüliti päästik ja tömmake pidurihooba. Pidurihoova lukustamiseks vajutage pidurihoova tömbamise ajal lukustusnuppu. Luku vabastamiseks tömmake pidurihooba.

► **Joon.32:** 1. Lüliti päästik

► **Joon.33:** 1. Lukustusnupp 2. Pidurihoob

## Tagaratta pidur

Tagaratastel on pidurid. Pidurite kasutamiseks vajutage piduripedaale esiosa suunas. Pidurite vabastamiseks vajutage piduripedaale tagaosa suunas.

► **Joon.34:** 1. Pedaal

## Eesmistele lampide süütamine

Lampide süütamiseks vajutage akukarbil olevale lambi nupule. Lampide väljalülitamiseks vajutage uuesti lambi nupule.

► **Joon.35:** 1. Lambi nupp 2. Lamp

**MÄRKUS:** Lampid kustuvad, kui masin jäetakse umbes 10 minutiks järelevalveta.

**MÄRKUS:** Lampid kustuvad, kui toide on välja lülitatud.

**MÄRKUS:** Lampid saate süüdata ka siis, kui lukustusvõti ei ole sisestatud.

## Käepideme kõrguse reguleerimine

Eemaldage lühikesed kuuskantpolidid ja õlapoldid, kasutades pakendis olevat mutrivõtit, ja seejärel reguleerige käepideme kõrgust. Kõrgust saab reguleerida kolmele tasemele. Pingutage käepideme kinnitamiseks õlapolte ja lühikesi kuuskantpolte.

► **Joon.36:** 1. Lühike kuuskantpolt 2. Õlapolt

**TÄHELEPANU:** Kinnitage vasak ja parem käepide samale kõrgusele.

**TÄHELEPANU:** Ärge pingutage lühikesi kuuskantpolte liigse jõuga. Pingutage neid sobiva jõuga, nii et käepidemed oleks stabiilselt kinnitatud.

**TÄHELEPANU:** Ärge suruge juhtmeid poltidega kokku.

## Kanduri lause reguleerimine

Lõdvendage 4 tiibmutrit ning seejärel libistage küljerööpad kohale. Pingutage tiibmutrit ning kinnitage küljerööpad.

► **Joon.37:** 1. Tiibmutter 2. Rööbas

**⚠ ETTEVAATUST:** Ärge libistage küljerööpaid üle piirangu märgistuse.

► **Joon.38**

## TÖÖRIISTA KASUTAMINE

### Masinaga töötamine

**TÄHELEPANU:** Esiratask veab selle masina akutoide. Kasutage masinat vedamistöödel.

**TÄHELEPANU:** Sisestage kindlasti lukustusvõti enne töötamist akukarpi. Kui lukustusvõti ei sisestata, kõlab lüliti päästikut tömmates lühike piiksuv heli. Piiksuv heli lõpeb, kui vabastate lüliti päästikut ja tõmbate pidurihooba.

Enne masina kasutamist kontrollige, kas pidurihoob töötab korralikult.

► **Joon.39:** 1. Pidurihoob

**⚠HOIATUS:** Kui pidurihoob jõuab hoova tõmbamise ajal käepidemeni, ei tööta pidur õigesti. Reguleerige pidurit või pöörduge remontimiseks kohalikku Makita hoolduskeskuse.

1. Valige aku valikulülitiga akukassett.
2. Toite sisselülitamiseks vajutage juhtpaneelil olevat toitenuppu mõne sekundi vältel.  
▶ **Joon.40:** 1. Toitenupp
3. Pidurihoova luku vabastamiseks tõmmake pidurihooba.  
▶ **Joon.41:** 1. Lukustusnupp 2. Pidurihoob

**MÄRKUS:** Vabastage tagaratta pidur, kui tagarattad on paigaldatud.

4. Hoidke käepidemeid kindlalt kahe käega.  
▶ **Joon.42**
5. Tõmmake lüliti päästikut.  
▶ **Joon.43:** 1. Lüliti päästik

## Esemete pealeladimine

**⚠ETTEVAATUST:** Enne esemete masinale laadimist veenduge, et toide oleks väljas ja pidurihoob lukustatud.

**⚠ETTEVAATUST:** Kui tagarattad on paigaldatud, veenduge enne esemete masinale laadimist, et tagaratta pidur oleks lukustatud.

**⚠ETTEVAATUST:** Enne esemete masinale laadimist veenduge, et kandur või korv oleks lukustatud.

**⚠ETTEVAATUST:** Laadige esemed kindlasti kanduri või korvi sisse. Kui esemed ulatuvad kandurist või korvist välja, võivad nad takistusi puudutades kukkuda või kokku variseda.

▶ **Joon.44**

**⚠ETTEVAATUST:** Laadige esemed kindlasti silmadest allapoole. Kui koorem on liiga kõrge, on see ohtlik, kuna vaateväli on varjatud. Samuti esineb ümbermineku- ja vigastusohu, kuna koorem on suure tõenäosusega tasakaalust väljas.

▶ **Joon.45**

Esemeid kandurisse laadides kinnitage nad köitega ja siduge need köiekonksude külge.

▶ **Joon.46**

## Esemete mahapanek

**⚠ETTEVAATUST:** Tõstke kandurit või korvi tasasel ja stabiilsel pinnasel. Töötamine ebastabiilsel pinnasel võib põhjustada õnnetuse või vigastuse.

Objekte saate maha panna kandurit või korvi tõeses ja kallutatades.

1. Peatage masin ja seejärel lukustage pidurid.

**TÄHELEPANU:** Soovitav on esirattad masina stabiliseerimiseks blokeerida.

2. Vabastage lukustushoob.

3. Seiske masina küljel, hoidke käepidet ühe käega ning seejärel tõstke ja kallutage kandurit või korvi, lukustades kanduri raami teise käega üles.

▶ **Joon.47**

**⚠ETTEVAATUST:** Hoidke käepidet ja kanduri raami tugevalt ning töötage stabiilses asendis.

**⚠ETTEVAATUST:** Hoidke koorem minimaalsena. Suure koorma korral ärge üritage kandurit tõsta. Vähendage koormat ja seejärel tõstke kandurit.

**⚠ETTEVAATUST:** Pärast objektide mahapanekut lukustage kindlasti kandur või korv.

## HOOLDUS

**⚠ETTEVAATUST:** Parkige masin alati tasasele pinnasele ja lukustage pidurihoob enne hoiundamist, ülevaastust või hooldust.

**⚠ETTEVAATUST:** Kui tagarattad on paigaldatud, veenduge enne hoiundamist, kontrollimist või hooldamist, et tagaratta pidur oleks lukustatud.

**⚠ETTEVAATUST:** Veenduge alati enne masina hoiundamist, kontrollimist või hooldamist, et lukustusvõti ja akukassett oleksid masinast eemaldatud.

**⚠ETTEVAATUST:** Kui masinat ei kasutata, eemaldage alati lukustusvõti. Hoidke lukustusvõtit turvalises ja lastele kättesaamatus kohas.

## Perioodilised kontrollimised

- Kontrollige, et poldid ja mutrid oleks tugevalt kinnitatud.

▶ **Joon.48**

- Kontrollige, et kandur oleks lukustatud, kui lukustushoob on täielikult alla tõmmatud.

▶ **Joon.49:** 1. Kanduri lukk 2. Lukustushoob

- Kontrollige, et pidurihoob töötaks õigesti.

▶ **Joon.50:** 1. Pidurihoob

**⚠HOIATUS:** Kui pidurihoob jõuab hoova tõmbamise ajal käepidemeni, ei tööta pidur õigesti. Reguleerige pidurit või pöörduge remontimiseks kohalikku Makita hoolduskeskuse.

- Kontrollige, ega esiratas ei ole kahjustatud või tühi. Kontrollige, kas esiratta rehvis on piisavalt õhku.

## Masina puhastamine

**TÄHELEPANU:** Ärge kunagi kasutage bensiini, vedeldit, alkoholi ega midagi muud sarnast. Selle tulemuseks võib olla luitumine, deformatsioon või pragunemine.

**TÄHELEPANU:** Masinat jooksva veega puhastades kallake vett kanduri või korvi alla. Ärge kasutage puhastamiseks kõrgsurvepesurit.

Eemaldage masinalt muda, pori ja muu sarnane. Puhastage masinat voolava veega. Pärast puhastamist kuivatage masin kuiva lapiga.

## Hoiundamine

Eemaldage lukustusvõti. Hoiundage masinat turvalises ja lastele kättesaamatus kohas.

Masinat hoiundades võib käepidemed ettepoole pöörata. Eemaldage lühikesed kuuskantpoldid ja õlapoldid, kasutades pakendis olevat mutrivõtit. Pöörake käepidemeid väliskülje poole ja seejärel pöörake käepidemeid ettepoole. Pingutage käepideme kinnitamiseks õlapolte ja lühikesi kuuskantpolte.

► **Joon.51:** 1. Õlapolt 2. Lühike kuuskantpolt

**TÄHELEPANU:** Ärge pingutage lühikesi kuuskantpolte liigse jõuga. Pingutage neid sobiva jõuga, nii et käepidemed oleks stabiilselt kinnitatud.

**TÄHELEPANU:** Ärge suruge juhtmeid poltidega kokku.

## Piduri reguleerimine

**⚠ETTEVAATUST:** Kui tagarattad on paigaldatud, veenduge enne piduri reguleerimist, et tagaratta pidur oleks lukustatud.

1. Eemaldage kandur või korv ja seejärel avage kanduri raam.  
► **Joon.52:** 1. Kanduri raam
2. Pidurihoova lukustusnupu vabastamiseks tõmake pidurihooba.  
► **Joon.53:** 1. Lukustusnupp 2. Pidurihoob
3. Lõdvendage reguleerimismuhv ja kinnitusmutter.  
► **Joon.54:** 1. Muhvi reguleerimine 2. Kinnitusmutter
4. Pingutage ainult kinnitusmutrit.  
► **Joon.55:** 1. Kinnitusmutter
5. Lõdvendage reguleerimismuhv ja kinnitusmutter.  
► **Joon.56:** 1. Muhvi reguleerimine 2. Kinnitusmutter
6. Pingutage ainult kinnitusmutrit.  
► **Joon.57:** 1. Kinnitusmutter
7. Veenduge, et pidurihoob oleks selle täielikul tõmbamisel poolel teel olevas asendis. Kui pidurihoob on poolel teel olevas asendis, minge sammu 13 juurde. Kui pidurihoob ei ole poolel teel olevas asendis, minge sammu 8 juurde.  
► **Joon.58:** 1. Pidurihoob

8. Lõdvendage ainult kinnitusmutter.

► **Joon.59:** 1. Kinnitusmutter

9. Pingutage kinnitusmutrit ja reguleerimismuhvi koos.

► **Joon.60:** 1. Muhvi reguleerimine 2. Kinnitusmutter

10. Lõdvendage ainult kinnitusmutter.

► **Joon.61:** 1. Kinnitusmutter

11. Pingutage kinnitusmutrit ja reguleerimismuhvi koos.

► **Joon.62:** 1. Muhvi reguleerimine 2. Kinnitusmutter

12. Veenduge, et pidurihoob oleks selle täielikul tõmbamisel poolel teel olevas asendis.

► **Joon.63:** 1. Pidurihoob

13. Voltige kanduri raam kokku ja seejärel kinnitage kandur või korv.

► **Joon.64:** 1. Kanduri raam

## Rehvi taastäitmine õhuga

Kontrollige, kas esiratta rehvis on õhku. Kui rehvis on liiga vähe õhku, siis täitke rehvi täispuhumiseadme abil õhuga. Soovitav rehvirõhk on 230 KPa.

► **Joon.65**

## VALIKULISED TARVIKUD

**⚠ETTEVAATUST:** Neid tarvikuid ja lisaseadiseid on soovitatav kasutada koos Makita tööriistaga, mille kasutamist selles kasutusjuhendis kirjeldatakse. Muude tarvikute ja lisaseadiste kasutamisega kaasneb vigastada saamise oht. Kasutage tarvikuid ja lisaseadiseid ainult otstarbekohaselt.

**⚠ETTEVAATUST:** Kasutage masinass ainult Makita lisaseadmeid või tarvikuid. Muu lisaseadme või tarviku kasutamine võib lõppeda tõsise vigastusega.

Saate vajaduse korral kohalikust Makita teeninduskeskusest lisateavet nende tarvikute kohta.

- Kandur
- Korv
- Lisarattad
- Makita algupärane aku ja laadija

**MÄRKUS:** Mõned nimekirjas loetletud tarvikud võivad kuuluda standardvarustusse ning need on lisatud tööriista pakendisse. Need võivad riigiti erineda.

## ТЕХНИЧЕСКИЕ ХАРАКТЕРИСТИКИ

Модель:		DCU180
Размеры (Д x Ш x В)	Если установлена грузовая тележка	Во время работы: 1 315 мм x 1 060 мм x 900 мм При хранении: 1 110 мм x 820 мм x 820 мм
	Если установлен кузов	Во время работы: 1 310 мм x 820 мм x 900 мм При хранении: 1 110 мм x 820 мм x 820 мм
Скорость передвижения	Передний ход	1,5 или 3,5 км/ч
	Задний ход	1,0 км/ч
Минимальный радиус поворота		1 075 мм (наружный диаметр при повороте с передним колесом в качестве оси)
Максимальный преодолеваемый уклон		12°
Максимальная грузоподъемность		130 кг
Тормоз	Переднее колесо	Дисковый тормоз с тросом
	Заднее колесо	Фиксированный с педалью
Шина	Переднее колесо	Бескамерная шина
	Заднее колесо	Самозаклеивающаяся шина
Номинальное напряжение		18 В пост. тока
Масса нетто	Если установлена грузовая тележка	43,7 - 44,0 кг
	Если установлен кузов	40,7 - 41,0 кг

- Благодаря нашей постоянно действующей программе исследований и разработок указанные здесь технические характеристики могут быть изменены без предварительного уведомления.
- Технические характеристики и аккумуляторный блок могут отличаться в зависимости от страны.
- Масса может отличаться в зависимости от дополнительного оборудования. Обратите внимание, что блок аккумулятора также считается дополнительным оборудованием. В таблице представлены комбинации с наибольшим и наименьшим весом в соответствии с процедурой EPTA 01/2014.

### Подходящий блок аккумулятора и зарядное устройство

Блок аккумулятора	BL1815N / BL1820B / BL1830B / BL1840B / BL1850B / BL1860B
Зарядное устройство	DC18RC / DC18RD / DC18RE / DC18SD / DC18SE / DC18SF / DC18SH

- В зависимости от региона проживания некоторые блоки аккумуляторов и зарядные устройства, перечисленные выше, могут быть недоступны.

**⚠ ОСТОРОЖНО:** Используйте только перечисленные выше блоки аккумуляторов и зарядные устройства. Использование других блоков аккумуляторов и зарядных устройств может привести к травме и/или пожару.

**⚠ ОСТОРОЖНО:** Не используйте с этой машиной проводной источник электропитания, например переходник зарядного устройства или портативный блок питания. Кабель этого источника электропитания может помешать работе и стать причиной травмы.

### Символы

Ниже приведены символы, которые могут использоваться для обозначения оборудования. Перед использованием убедитесь в том, что вы понимаете их значение.



Прочитайте руководство по эксплуатации.





Только для стран ЕС  
В связи с наличием в оборудовании опасных компонентов отходы электрического и электронного оборудования, аккумуляторы и батареи могут оказывать негативное влияние на окружающую среду и здоровье человека.  
Не выбрасывайте электрические и электронные устройства или батареи вместе с бытовыми отходами! В соответствии с директивой ЕС по отходам электрического и электронного оборудования, по аккумуляторам, батареям и отходам аккумуляторов и батарей, а также в соответствии с ее адаптацией к национальному законодательству, отходы электрического оборудования, батареи и аккумуляторы следует хранить отдельно и доставлять на пункт раздельного сбора коммунальных отходов, работающий с соблюдением правил охраны окружающей среды.  
Это обозначено символом в виде перечеркнутого мусорного контейнера на колесах, нанесенным на оборудование.



Опустите рычаг вниз до упора и убедитесь, что тележка или кузов заблокированы.



Во время работы на крутых склонах не меняйте направление движения.



Производите загрузку и разгрузку на ровной поверхности.



Равномерно загружайте материал в тележку или кузов.



Данная тачка не предназначена для использования на проезжих дорогах.



Не используйте для перевозки людей.



Берегите от дождя.



Для отключения звукового сигнала отпустите триггерный переключатель и потяните рычаг тормоза.



Не смотреть на луч.



Гарантированный уровень звуковой мощности в соответствии с Директивой ЕС по шумам вне помещений.



Уровень звуковой мощности в соответствии с Регламентом Австралии (Новый Южный Уэльс) по контролю за шумом

## Назначение

Данное устройство предназначено для погрузки и перевозки различных грузов с использованием аккумуляторного электропривода.

## Шум

Типичный уровень взвешенного звукового давления (A), измеренный в соответствии с EN62841-1:  
Уровень звукового давления (L<sub>pA</sub>): 70 дБ (или менее)  
Погрешность (K): 3 дБ (A)

Уровень шума при выполнении работ может превышать 80 дБ (A).

**ПРИМЕЧАНИЕ:** Заявленное значение распространения шума измерено в соответствии со стандартной методикой испытаний и может быть использовано для сравнения инструментов.

**ПРИМЕЧАНИЕ:** Заявленное значение распространения шума можно также использовать для предварительных оценок воздействия.

**⚠ОСТОРОЖНО:** Используйте средства защиты слуха.

**⚠ОСТОРОЖНО:** Распространение шума во время фактического использования электроинструмента может отличаться от заявленного значения в зависимости от способа применения инструмента и в особенности от типа обрабатываемой детали.

**⚠ОСТОРОЖНО:** Обязательно определите меры безопасности для защиты оператора, основанные на оценке воздействия в реальных условиях использования (с учетом всех этапов рабочего цикла, таких как выключение инструмента, работа без нагрузки и включение).

## Вибрация

Суммарное значение вибрации (сумма векторов по трем осям), определенное в соответствии с EN62841-1:

Рабочий режим: работа без нагрузки  
Распространение вибрации (a<sub>n</sub>): 2,5 м/с<sup>2</sup> или менее  
Погрешность (K): 1,5 м/с<sup>2</sup>

**ПРИМЕЧАНИЕ:** Заявленное общее значение распространения вибрации измерено в соответствии со стандартной методикой испытаний и может быть использовано для сравнения инструментов.

**ПРИМЕЧАНИЕ:** Заявленное общее значение распространения вибрации можно также использовать для предварительных оценок воздействия.

**⚠ОСТОРОЖНО:** Распространение вибрации во время фактического использования электроинструмента может отличаться от заявленного значения в зависимости от способа применения инструмента и в особенности от типа обрабатываемой детали.

**⚠ОСТОРОЖНО:** Обязательно определите меры безопасности для защиты оператора, основанные на оценке воздействия в реальных условиях использования (с учетом всех этапов рабочего цикла, таких как выключение инструмента, работа без нагрузки и включение).

## Декларация о соответствии ЕС

*Только для европейских стран*

Декларация о соответствии ЕС включена в руководство по эксплуатации (Приложение А).

## МЕРЫ БЕЗОПАСНОСТИ

### Общие рекомендации по технике безопасности для электроинструментов

**▲ ОСТОРОЖНО:** Ознакомьтесь со всеми представленными инструкциями по технике безопасности, указаниями, иллюстрациями и техническими характеристиками, прилагаемыми к данному электроинструменту. Несоблюдение каких-либо инструкций, указанных ниже, может привести к поражению электрическим током, пожару и/или серьезной травме.

### Сохраните брошюру с инструкциями и рекомендациями для дальнейшего использования.

Термин "электроинструмент" в предупреждениях относится ко всему инструменту, работающему от сети (с проводом) или на аккумуляторах (без провода).

### Предупреждения о соблюдении техники безопасности при эксплуатации аккумуляторной самоходной тачки

- Во время эксплуатации тачки обязательно надевайте нескользящую защитную обувь.** Нескользящая защитная обувь с закрытым носком снижает риск получения травмы.
- Перед перевозкой предметов/материалов проверьте маршрут движения.** Ознакомьтесь с маршрутом движения и удостоверьтесь, что проходы достаточно широки для безопасного движения тачки в нагруженном состоянии, т. к. это поможет снизить вероятность потери управления.
- Соблюдайте особую осторожность при движении по скользкой, рыхлой и нетвердой поверхности.** Мокрые и скользкие поверхности, например мокрые травянистые участки, снег или лед, а также рыхлые и нетвердые поверхности, например песок или гравий, могут привести к потере сцепления тачки с поверхностью и негативно повлиять на рулевое управление, торможение и устойчивость.
- Не используйте тачку на чрезмерно крутых склонах.** Это снижает риск потери управления, проскальзывания и падения, что может привести к травме. Склоны с уклоном, превышающим максимальный рекомендуемый уклон, и боковые уклоны способствуют увеличению риска потери устойчивости и могут отрицательно сказаться на возможности безопасной остановки.
- При работе на склонах всегда крепко стойте на ногах, двигайтесь поперек склона, не двигайтесь вверх или вниз по склону и соблюдайте особую осторожность при изменении направления движения.** Это снижает риск потери управления, проскальзывания и падения, что может привести к травме.
- По мере возможности останавливайтесь и проводите загрузку и разгрузку на ровной поверхности. Никогда не оставляйте тачку на склоне без присмотра.** Тачка менее устойчива при остановке на склоне, чем при остановке на ровной поверхности.
- При остановке тачки на склоне поверните ее так, чтобы она была обращена в сторону вершины или подошвы склона, и заблокируйте колеса без тормозов.** Тачка будет менее устойчивой при остановке поперек склона. Колеса без тормозов, особенно колеса роликового типа, могут повернуться и показаться вниз, даже когда включен стояночный тормоз переднего колеса.
- Если вы собираетесь оставить тачку без присмотра, остановите ее в безопасной зоне остановки и включите стояночный тормоз.** Стояночный тормоз предотвращает нежелательное движение переднего колеса и помогает улучшить устойчивость тачки.
- Следите за тем, чтобы ramпы были чистыми, прочными и надежными.** Чтобы снизить риск получения травмы, все ramпы должны быть очищены от мусора и иметь достаточную прочность, чтобы выдерживать вес перемещаемого по ним груза. Они должны иметь под собой и с обеих сторон соответствующие блоки для опоры и устранения прогибов и поперечного перемещения под нагрузкой. Все ramпы должны быть достаточно широкими, чтобы гарантировать прочную опору при перемещении по ним грузов.
- Бункер должен быть опущен, а бункеры и разгрузочные затворы надежно зафиксированы, когда вы не сбрасываете груз или когда вы оставляете тачку на хранение.** Незафиксированные бункеры или разгрузочные затворы могут неожиданно открыться или сместиться.
- Не удлиняйте ramпы без оградительных планок или перил над открытыми пространствами.** Расположенные на высоте открытые пространства и открытые траншеи увеличивают вероятность случайных падений и серьезных травм. При работе над открытыми пространствами устанавливайте на ramпы оградительные планки или перила, чтобы тачка не могла съехать с ramпы.
- Перед использованием тачки убедитесь, что все стопорные винты надежно закреплены.** Стопорные винты на задних колесах и передней и боковых стенках тележки открытого типа должны быть надежно закреплены для предотвращения непреднамеренного перемещения этих регулируемых частей тачки.

13. **Запрещается эксплуатировать тачку при перегрузке.** Убедитесь, что тачка имеет надлежащую грузоподъемность для перевозки необходимого объема материала или предметов. При чрезмерных нагрузках тачка становится менее управляемой, затрудняется остановка тачки, увеличиваются дистанция и время торможения, что повышает риск потери устойчивости.
14. **Запрещается эксплуатировать тачку при чрезмерном укладывании материала друг на друга.** Материал, уложенный выше задней стенки тележки или ее боковых сторон, может привести к потере устойчивости и управляемости.
15. **Используйте контейнеры и крепежные устройства для фиксации груза.** Незакрепленный/непрочно закрепленный груз в большей степени предрасположен к смещению, что может привести к потере устойчивости и управляемости.
16. **Всегда крепко держитесь за рукоятки.** Потеря контроля над тачкой может привести к травме.
17. **Когда тачка не используется, извлеките из нее предохранительный ключ.** Предохранительный ключ предотвращает нежелательное включение тачки, например, детьми или другими невалифицированными или посторонними лицами. Без ключа на тачку не может быть подано электропитание.
18. **Данное устройство не предназначено для использования на проезжих дорогах.** Использование тачки на проезжих дорогах запрещено и может повлечь за собой санкции, предусмотренные местным законодательством, а также привести к травмам.
19. **Во время загрузки и/или разгрузки этой тачки используйте надежную противоскользящую платформу с функцией предотвращения отсоединения для транспортировки или перемещения тачки между разными уровнями.** Убедитесь, что угол наклона платформы не превышает 12°, управляйте тачкой медленно и аккуратно. Нестабильное и быстрое управление может привести к опрокидыванию и/или падению.
20. **Запрещается разбирать, ремонтировать или вносить изменения в конструкцию тачки.**

#### Работа на склонах

1. **Не пересекайте склоны.**
2. **Обязательно уменьшите скорость и соблюдайте осторожность.**
3. **Соблюдайте осторожность во время начала движения и остановки тачки на склонах.**
4. **Поскольку груз становится менее устойчивым на склонах, надежно закрепляйте его тросами.**
5. **Поскольку в зависимости от состояния дороги тачка может стать неустойчивой, сведите количество груза (нагрузку) к минимуму.**
6. **При движении по склонам обзор затруднен, поэтому следует свести к минимуму высоту укладки груза.**
7. **Запрещено ставить тачку на стоянку на крутых склонах.** Остановите тачку на ровной поверхности, нажмите рычаг тормоза, заблокируйте тормоз и выключите питание.
8. **Во время работы на крутых склонах не меняйте направление и скорость движения.**
9. **Не отпускайте триггерный переключатель во время движения вверх по склону.** Тачка может начать движение задним ходом, что может привести к несчастному случаю.
10. **Прежде чем приступить к работе на склоне, убедитесь, что оставшейся емкости аккумулятора достаточно.** Если оставшейся емкости аккумулятора недостаточно для работы, зарядите аккумулятор или замените его заряженным.

#### Эксплуатация

1. **Во время эксплуатации тачки стойте за ней и крепко держите рукоятки.**
2. **Не включайте тачку, если кто-либо находится на ней.**
3. **Не позволяйте посторонним лицам взбираться на тачку.**
4. **Во время движения тачки задним ходом следите за обстановкой позади вас и соблюдайте осторожность, чтобы не споткнуться и не поскользнуться.**
5. **Не используйте тачку в условиях плохой видимости, т. к. существует риск наезда на препятствия.**
6. **При движении по неровной поверхности уменьшите скорость и соблюдайте осторожность.**

#### Загрузка материала

1. **Не нагружайте тачку сверх меры.** Во время загрузки материала обязательно следуйте инструкциям и не превышайте максимально допустимую нагрузку, указанную в данном руководстве.
2. **Надежно закрепите груз тросами.**
3. **Загрузка материала в тележку или кузов.** Если загруженный материал выступает из тележки или кузова, существует риск несчастных случаев из-за падения груза или его контакта с препятствиями, например стенами.

4. Убедитесь, что загруженный материал находится ниже уровня глаз. Слишком высокое расположение груза на тачке представляет опасность, т. к. перекрывает оператору обзор. Кроме того, существует риск опрокидывания и травмы, поскольку груз с большей вероятностью будет неустойчивым.
5. Равномерно загружайте материал в тележку или кузов. Если материал загружен неравномерно, существует риск опрокидывания и травмы, поскольку груз с большей вероятностью будет неустойчивым.
6. Перед погрузкой или началом эксплуатации тачки убедитесь, что стопорный рычаг полностью опущен и заблокирован.
7. Для сохранения равновесия в первую очередь загружайте тяжелые предметы.
8. Не выдвигайте передний и боковые поручни на крутых склонах. Выдвиньте боковые поручни во время загрузки легких предметов.
9. При выдвигании переднего и боковых поручней не выдвигайте их дальше допустимого предела. Убедитесь, что боковые поручни выдвинуты так, что правая и левая стороны имеют одинаковую длину, равномерно загрузите материал.
10. Загрузка и разгрузка на ровной поверхности.
11. При подъеме и наклоне тележки или кузова крепко держите рукоятки и раму и примите устойчивое положение.

#### Обслуживание

1. Перед помещением на хранение или выполнением осмотра/технического обслуживания обязательно остановите тачку на ровной поверхности и заблокируйте рычаг тормоза.

## СОХРАНИТЕ ДАННЫЕ ИНСТРУКЦИИ.

**▲ОСТОРОЖНО:** НЕ ДОПУСКАЙТЕ, чтобы удобство или опыт эксплуатации данного устройства (полученный от многократного использования) доминировали над строгим соблюдением правил техники безопасности при обращении с этим устройством. **НЕПРАВИЛЬНОЕ ИСПОЛЬЗОВАНИЕ** инструмента или несоблюдение правил техники безопасности, указанных в данном руководстве, может привести к тяжелой травме.

### Важные правила техники безопасности для работы с аккумуляторным блоком

1. Перед использованием аккумуляторного блока прочитайте все инструкции и предупреждающие надписи на (1) зарядном устройстве, (2) аккумуляторном блоке и (3) инструменте, работающем от аккумуляторного блока.
2. Не разбирайте блок аккумулятора и не меняйте его конструкцию. Это может привести к пожару, перегреву или взрыву.
3. Если время работы аккумуляторного блока значительно сократилось, немедленно прекратите работу. В противном случае, может возникнуть перегрев блока, что приведет к ожогам и даже к взрыву.
4. В случае попадания электролита в глаза промойте их обильным количеством чистой воды и немедленно обратитесь к врачу. Это может привести к потере зрения.
5. Не замыкайте контакты аккумуляторного блока между собой:
  - (1) Не прикасайтесь к контактам какими-либо токопроводящими предметами.
  - (2) Не храните аккумуляторный блок в контейнере вместе с другими металлическими предметами, такими как гвозди, монеты и т. п.
  - (3) Не допускайте попадания на аккумуляторный блок воды или дождя.
- Замыкание контактов аккумуляторного блока между собой может привести к возникновению большого тока, перегреву, возможным ожогам и даже поломке блока.
6. Не храните и не используйте инструмент и аккумуляторный блок в местах, где температура может достигать или превышать 50 °C (122 °F).
7. Не бросайте аккумуляторный блок в огонь, даже если он сильно поврежден или полностью вышел из строя. Аккумуляторный блок может взорваться под действием огня.
8. Запрещено вбивать гвозди в блок аккумулятора, резать, ломать, бросать, ронять блок аккумулятора или ударять его твердым предметом. Это может привести к пожару, перегреву или взрыву.
9. Не используйте поврежденный аккумуляторный блок.
10. Входящие в комплект литий-ионные аккумуляторы должны эксплуатироваться в соответствии с требованиями законодательства об опасных товарах.
 

При коммерческой транспортировке, например, третьей стороной или экспедитором, необходимо нанести на упаковку специальные предупреждения и маркировку.

В процессе подготовки устройства к отправке обязательно проконсультируйтесь со специалистом по опасным материалам. Также соблюдайте местные требования и нормы. Они могут быть строже.

Закройте или закрепите разомкнутые контакты и упакуйте аккумулятор так, чтобы он не перемещался по упаковке.
11. Для утилизации блока аккумулятора извлеките его из инструмента и утилизируйте безопасным способом. Выполняйте требования местного законодательства по утилизации аккумуляторного блока.
12. Используйте аккумуляторы только с продукцией, указанной Makita. Установка аккумуляторов на продукцию, не соответствующую требованиям, может привести к пожару, перегреву, взрыву или утечке электролита.

13. Если инструментом не будут пользоваться в течение длительного периода времени, извлеките аккумулятор из инструмента.
14. Во время и после использования блок аккумулятора может нагреваться, что может стать причиной ожогов или низкотемпературных ожогов. Будьте осторожны при обращении с горячим блоком аккумулятора.
15. Не прикасайтесь к контактам инструмента сразу после использования, поскольку они могут быть достаточно горячими, чтобы вызвать ожоги.
16. Не допускайте, чтобы обломки, пыль или земля прилипали к контактам, отверстиям и пазам на блоке аккумулятора. Это может привести к снижению эксплуатационных параметров, поломке инструмента или блока аккумулятора.
17. Если инструмент не рассчитан на использование вблизи высоковольтных линий электропередач, не используйте блок аккумулятора вблизи высоковольтных линий электропередач. Это может привести к неисправности, поломке инструмента или блока аккумулятора.
18. Храните аккумулятор в недоступном для детей месте.

## СОХРАНИТЕ ДАННЫЕ ИНСТРУКЦИИ.

**▲ВНИМАНИЕ:** Используйте только фирменные аккумуляторные батареи Makita. Использование аккумуляторных батарей, не произведенных Makita, или батарей, которые были подвергнуты модификациям, может привести к взрыву аккумулятора, пожару, травмам и повреждению имущества. Это также автоматически аннулирует гарантию Makita на инструмент и зарядное устройство Makita.

## Советы по обеспечению максимального срока службы аккумулятора

1. Заряжайте блок аккумуляторов перед его полной разрядкой. Обязательно прекратите работу с инструментом и зарядите блок аккумуляторов, если вы заметили снижение мощности инструмента.
2. Никогда не подзаряжайте полностью заряженный блок аккумуляторов. Перезарядка сокращает срок службы аккумулятора.
3. Заряжайте блок аккумуляторов при комнатной температуре в 10 - 40 °C (50 - 104 °F). Перед зарядкой горячего блока аккумуляторов дайте ему остыть.
4. Если блок аккумулятора не используется, извлеките его из инструмента или зарядного устройства.
5. Зарядите ионно-литиевый аккумуляторный блок, если вы не будете пользоваться инструментом длительное время (более шести месяцев).

## ОПИСАНИЕ ДЕТАЛЕЙ

### Описание деталей (если установлена грузовая тележка)

► Рис.1

1	Панель управления	2	Рукоятка
3	Триггерный переключатель	4	Аккумуляторный отсек
5	Рычаг тормоза переднего колеса	6	Заднее колесо
7	Педали тормоза заднего колеса	8	Лампа
9	Переднее колесо	10	Грузовая тележка

### Описание деталей (если установлен кузов)

► Рис.2

1	Панель управления	2	Рукоятка
3	Триггерный переключатель	4	Аккумуляторный отсек
5	Рычаг тормоза переднего колеса	6	Заднее колесо
7	Педали тормоза заднего колеса	8	Лампа
9	Переднее колесо	10	Кузов

## СБОРКА

**▲ВНИМАНИЕ:** Перед проведением каких-либо работ с тачкой обязательно убедитесь, что она отключена, а блок аккумулятора снят.

### Сборка основного блока

1. Извлеките из коробки базовый блок и рукоятки.
- Рис.3

**ПРИМЕЧАНИЕ:** При извлечении базового блока и рукояток не прилагайте слишком большого усилия, чтобы не повредить шнуры.

2. Поместите упаковочный материал под заднюю сторону базового блока.  
► Рис.4: 1. Упаковочный материал
3. Вставьте задние колеса в раму.  
► Рис.5: 1. Заднее колесо  
► Рис.6: 1. Заднее колесо

**ПРИМЕЧАНИЕ:** Вместо задних колес можно установить опорные ножки.

4. Наденьте пружинную и обычную шайбу на короткий шестигранный болт, а затем затяните их с помощью ключа, входящего в комплект.  
► Рис.7: 1. Короткий шестигранный болт  
2. Пружинная шайба 3. Шайба

► Рис.8

**ПРИМЕЧАНИЕ:** Для затяжки задних колес используйте только короткие шестигранные болты.

**ПРИМЕЧАНИЕ:** Зафиксируйте задние колеса в одном и том же положении с обеих сторон.

5. Поднимите рукоятки и вставьте их в базовый блок.  
► **Рис.9**

**ПРИМЕЧАНИЕ:** Не допускайте нахождения шнуров в зоне "А", указанной на рисунке. Длинные предметы могут запутаться в шнурях, что может привести к несчастному случаю.

**ПРИМЕЧАНИЕ:** При подъеме и установке рукояток не допускайте слишком сильного натяжения шнуров.

**ПРИМЕЧАНИЕ:** Обязательно поднимайте рукоятки обеими руками.

6. Откройте раму тележки по направлению вперед.  
► **Рис.10:** 1. Рама тележки

7. Разверните рукоятки в рабочее положение, вставьте длинные шестигранные болты в базовый блок и затяните гайки ключом, входящим в комплект.  
► **Рис.11:** 1. Длинный шестигранный болт

8. Затяните находящиеся в задней части ступенчатые болты ключом, входящим в комплект.  
► **Рис.12:** 1. Ступенчатый болт

9. Затяните короткие шестигранные болты с обеих сторон ключом, входящим в комплект, чтобы закрепить рукоятки.  
► **Рис.13:** 1. Короткий шестигранный болт

**ПРИМЕЧАНИЕ:** Не затягивайте слишком сильно короткие шестигранные болты. Затяните их оптимальным усилием, чтобы рукоятки были надежно закреплены.

**ПРИМЕЧАНИЕ:** Не зажимайте шнуры болтами.

10. Закрепите шнуры зажимами.  
► **Рис.14:** 1. Зажим

11. Сложите раму тележки.  
► **Рис.15:** 1. Рама тележки

12. Одновременно нажмите кнопку блокировки и рычаг тормоза, чтобы заблокировать тормоз.  
► **Рис.16:** 1. Кнопка блокировки 2. Рычаг тормоза

**ВНИМАНИЕ:** Если на тачке установлены задние колеса, нажмите на педаль тормоза заднего колеса, чтобы заблокировать заднее колесо.

13. Наденьте фиксатор тележки на крючок и потяните вниз стопорный рычаг, чтобы зафиксировать тележку.  
► **Рис.17:** 1. Фиксатор тележки 2. Стопорный рычаг

**ПРИМЕЧАНИЕ:** Убедитесь, что стопорный рычаг надежно заблокирован.

**ПРИМЕЧАНИЕ:** Не зажимайте шнуры стопорным рычагом.

**ПРИМЕЧАНИЕ:** Если вместо задних колес вы желаете установить опорные ножки, снимите задние колеса с рам, а затем прикрепите опорные ножки к рамам.

- **Рис.18:** 1. Заднее колесо 2. Опорная ножка

## Сборка и установка тележки

### Дополнительные принадлежности

1. Извлеките тележку из коробки, прикрепите боковые поручни к опорной раме и затяните накатные гайки для фиксации поручней.  
► **Рис.19:** 1. Накатная гайка

2. Установите тележку на базовый блок и вставьте шестигранные болты и шайбы в рамы сверху. Затяните шайбы, пружинные шайбы и барашковые гайки в нижней части, чтобы зафиксировать тележку.

- **Рис.20:** 1. Длинный шестигранный болт  
2. Короткий шестигранный болт  
3. Шайба 4. Пружинная шайба  
5. Барашковая гайка

**ПРИМЕЧАНИЕ:** В передней части используйте длинные болты, а в задней — короткие.

## Установка кузова

### Дополнительные принадлежности

Установите кузов на базовый блок, вставьте шестигранные болты в рамы, затем снизу затяните шайбы, пружинные шайбы и барашковые гайки для фиксации кузова.

- **Рис.21:** 1. Шестигранный болт 2. Шайба  
3. Пружинная шайба 4. Барашковая гайка

## ОПИСАНИЕ РАБОТЫ

### Установка или снятие блока аккумулятора

**ВНИМАНИЕ:** Обязательно выключайте тачку перед установкой и извлечением блока аккумулятора.

**ВНИМАНИЕ:** Перед использованием убедитесь, что заперли крышку блока аккумулятора. В противном случае грязь, мусор или вода могут повредить изделие или блок аккумулятора.

**ВНИМАНИЕ:** Обязательно устанавливайте блок аккумулятора до конца, чтобы красный индикатор не был виден. В противном случае блок может выпасть из тачки и нанести травму вам или другим людям.

**ВНИМАНИЕ:** Не прилагайте чрезмерных усилий при установке блока аккумулятора. Если блок не двигается свободно, значит он вставлен неправильно.

**ВНИМАНИЕ:** Не используйте высокотемпературный блок аккумулятора. При использовании высокотемпературного блока аккумулятора тачка автоматически останавливается перед тем, как прозвучит короткий звуковой сигнал, что может привести к травме.

## Установка блока аккумулятора

1. Поверните стопорный рычаг и откройте крышку аккумуляторного отсека.

► **Рис.22:** 1. Стопорный рычаг 2. Крышка

2. Выровняйте язычок на блоке аккумулятора с канавкой на аккумуляторном отсеке, затем вставьте блок до щелчка. Если вы можете видеть красный индикатор на верхней части клавиши, то блок аккумулятора не до конца закреплен на месте.

► **Рис.23:** 1. Блок аккумулятора

3. Вставьте ключ блокировки до упора в точку, показанной на рисунке.

► **Рис.24:** 1. Ключ блокировки

**ПРИМЕЧАНИЕ:** Если ключ блокировки вставлен не полностью, тачка не будет работать.

4. Закройте крышку аккумуляторного отсека и поверните стопорный рычаг.

► **Рис.25:** 1. Стопорный рычаг 2. Крышка

## Извлечение блока аккумулятора

1. Поверните стопорный рычаг и откройте крышку аккумуляторного отсека.

2. Потяните блок аккумулятора, удерживая нажатой кнопку на лицевой стороне, и извлеките блок из отсека.

► **Рис.26:** 1. Кнопка

3. Извлеките ключ блокировки.

4. Закройте крышку аккумуляторного отсека и поверните стопорный рычаг.

## Система защиты тачки/ аккумулятора

На тачке предусмотрена система защиты тачки/аккумулятора. Данная система автоматически отключает питание двигателя для продления срока службы тачки и аккумулятора.

Тачка автоматически остановится во время работы при возникновении указанных ниже ситуаций, относящихся к тачке или блоку аккумулятора. Перед автоматической остановкой тачки прозвучит короткий звуковой сигнал. Индикаторы аккумулятора и светодиодные индикаторы будут мигать во время звукового сигнала.

## Защита от перегрузки

Если из-за способа эксплуатации тачка потребляет очень большое количество тока, она автоматически остановится без включения каких-либо индикаторов. В этом случае выключите тачку и устраните причину перегрузки, а затем включите тачку для повторного запуска.

## Защита от перегрева

При перегреве тачка останавливается автоматически. Дайте ей остыть перед повторным включением. Защита от перегрева с большей вероятностью срабатывает в условиях высокой температуры.

## Защита от переразрядки

При истощении заряда аккумулятора тачка автоматически останавливается. Если тачка не работает даже после нажатия переключателей, снимите блок аккумулятора и зарядите его.

## Переключение блока аккумулятора

► **Рис.27:** 1. Переключатель аккумуляторов

В аккумуляторный отсек можно установить максимум два блока аккумулятора, хотя для работы тачки используется один блок аккумулятора. Перед началом работы выберите блок аккумулятора, нажав номер на переключателе аккумуляторов.







**ПРИМЕЧАНИЕ:** Если в отсеке аккумулятора установлен только один блок аккумулятора, обязательно выберите отсек, в котором установлен блок аккумулятора.

## Индикация оставшейся емкости аккумулятора в аккумуляторном отсеке

**ВНИМАНИЕ:** Прежде чем проверять оставшуюся емкость аккумулятора или переключаться на другой блок аккумулятора, обязательно остановите тачку.

► **Рис.28:** 1. Индикатор аккумулятора 2. Кнопка проверки

Нажмите кнопку проверки для проверки заряда аккумулятора. Индикаторы соответствуют каждому аккумулятору.

Состояние индикатора аккумуляторной батареи		Уровень емкости аккумулятора
 Вкл.	 Выкл.	
		50 - 100 %
		20 - 50 %
		0 - 20 %
		Аккумулятор не установлен

**ВНИМАНИЕ:** Когда уровень заряда аккумулятора становится низким, раздастся короткий звуковой сигнал. Если вы продолжите эксплуатацию тачки с низкой емкостью аккумулятора, прозвучит длинный звуковой сигнал, а тачка автоматически остановится. Когда вы услышите короткий звуковой сигнал, нажмите рычаг тормоза и заблокируйте тормоз, затем переключитесь на заряженный блок аккумулятора или зарядите блок аккумулятора. При полном разряде аккумулятора тачка внезапно автоматически остановится, что может привести к травме.

**ПРИМЕЧАНИЕ:** Если вы продолжите нажимать на триггерный переключатель, даже если вы услышите короткий звуковой сигнал, тачка остановится автоматически. После автоматической остановки тачки звуковой сигнал продолжит звучать и включится вспомогательный тормоз (электрический тормоз). Чтобы отключить звуковой сигнал и вспомогательный тормоз, нажмите рычаг тормоза и отпустите триггерный переключатель. Не пытайтесь толкать тачку силой, не отключив вспомогательный тормоз. После отключения вспомогательного тормоза вы можете определить, какая система защиты аккумулятора работает, проверив состояние индикатора аккумулятора.

- **Рис.29:** 1. Горит 2. Мигает 3. Не горит 4. Защита от перегрева 5. Защита от переразрядки 6. Защита от перегрузки

**ВНИМАНИЕ:** Если во время движения по склону прозвучит звуковой сигнал или тачка автоматически остановится, переместите ее в безопасное место, заблокируйте тормоз, затем переключитесь на заряженный блок аккумулятора или зарядите блок аккумулятора.

Если при большой нагрузке во время движения по склону прозвучит звуковой сигнал или тачка автоматически остановится, не пытайтесь сдвинуть ее силой. Заблокируйте тормоз, соблюдайте требования техники безопасности, переключитесь на заряженный блок аккумулятора и переместите тачку в безопасное место. Перед возобновлением работы уменьшите нагрузку.
















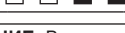

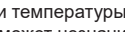
**ПРИМЕЧАНИЕ:** Вы можете увидеть оставшуюся емкость аккумулятора, даже если ключ блокировки не вставлен.

## Индикация оставшегося заряда аккумулятора

Только для блоков аккумулятора с индикатором

- **Рис.30:** 1. Индикаторы 2. Кнопка проверки

Нажмите кнопку проверки на аккумуляторном блоке для проверки заряда. Индикаторы загорятся на несколько секунд.

Индикаторы			Уровень заряда
 Горит	 Выкл.	 Мигает	
			от 75 до 100%
			от 50 до 75%
			от 25 до 50%
			от 0 до 25%
			Зарядите аккумуляторную батарею.
			Возможно, аккумуляторная батарея неисправна.
			

**ПРИМЕЧАНИЕ:** В зависимости от условий эксплуатации и температуры окружающего воздуха индикация может незначительно отличаться от фактического значения.

**ПРИМЕЧАНИЕ:** Зарядка (дальняя левая) индикаторная лампа будет мигать во время работы защитной системы аккумулятора.

## Панель управления

- **Рис.31:** 1. Кнопка питания 2. Кнопка переднего/заднего хода 3. Кнопка выбора скорости

Чтобы включить питание, нажмите кнопку питания и удерживайте ее в течение нескольких секунд. Нажмите кнопку переднего/заднего хода, чтобы переключиться между режимами переднего и заднего хода. Нажмите кнопку скорости для переключения между низкой и высокой скоростью. При включении питания устанавливаются режимы переднего хода и низкой скорости. Чтобы выключить питание, нажмите кнопку питания и удерживайте ее в течение нескольких секунд.

**ПРИМЕЧАНИЕ:** Во время нажатия на триггерный переключатель кнопка переднего/заднего хода будет недоступна.

**ПРИМЕЧАНИЕ:** Во время движения тачки задним ходом издается короткий звуковой сигнал.

**ПРИМЕЧАНИЕ:** Во время движения тачки задним ходом кнопка выбора скорости будет недоступна.

## Использование переключателя и тормоза

**ОСТОРОЖНО:** Перед установкой блока аккумулятора в тачку обязательно убедитесь, что триггерный переключатель работает должным образом и возвращается в положение "OFF" (ВЫКЛ.) при отпускании.



Для запуска тачки нажмите на триггерный переключатель. Чтобы остановить тачку, отпустите триггерный переключатель и потяните рычаг тормоза. Чтобы заблокировать рычаг тормоза, нажмите на кнопку блокировки, продолжая тянуть рычаг. Чтобы отключить блокировку, потяните рычаг тормоза.

► **Рис.32:** 1. Триггерный переключатель

► **Рис.33:** 1. Кнопка блокировки 2. Рычаг тормоза

## Тормоз заднего колеса

Задние колеса оборудованы тормозами. Для блокировки тормозов нажмите на переднюю часть педалей тормозов. Чтобы отключить тормоза, нажмите на заднюю часть педалей тормозов.

► **Рис.34:** 1. Педаль

## Включение передних ламп

Нажмите кнопку подсветки, расположенную на отсеке аккумулятора, чтобы включить лампы. Чтобы выключить лампы, нажмите на кнопку подсветки еще раз.

► **Рис.35:** 1. Кнопка подсветки 2. Лампа

**ПРИМЕЧАНИЕ:** Лампы гаснут, если тачка остается без присмотра в течение приблизительно 10 минут.

**ПРИМЕЧАНИЕ:** Лампы также гаснут при отключении питания.

**ПРИМЕЧАНИЕ:** Вы можете включить лампы, даже если ключ блокировки не вставлен.

## Регулировка высоты рукоятки

Снимите короткие шестигранные болты и ступенчатые болты ключом, входящим в комплект, и отрегулируйте высоту рукоятки. Вы можете установить один из трех уровней высоты. Затяните короткие шестигранные болты и ступенчатые болты, чтобы зафиксировать рукоятку.

► **Рис.36:** 1. Короткий шестигранный болт  
2. Ступенчатый болт

**ПРИМЕЧАНИЕ:** Зафиксируйте левую и правую рукоятки на одинаковой высоте.

**ПРИМЕЧАНИЕ:** Не затягивайте слишком сильно короткие шестигранные болты. Затяните их оптимальным усилием, чтобы рукоятки были надежно закреплены.

**ПРИМЕЧАНИЕ:** Не зажимайте шнуры болтами.

## Регулировка ширины тележки

Ослабьте 4 накатные гайки, а затем сдвиньте боковые поручни. Затяните накатные гайки, чтобы зафиксировать боковые поручни.

► **Рис.37:** 1. Накатная гайка 2. Поручень

**ВНИМАНИЕ:** Не сдвигайте поручни дальше ограничительной отметки.

► **Рис.38**

# ЭКСПЛУАТАЦИЯ

## Эксплуатация тачки

**ПРИМЕЧАНИЕ:** Переднее колесо приводится в движение аккумулятором тачки. Используйте данную тачку для транспортировки различных грузов/материалов.

**ПРИМЕЧАНИЕ:** Перед началом эксплуатации тачки обязательно вставьте ключ блокировки в аккумуляторный отсек. В случае отсутствия ключа блокировки при нажатии на триггерный переключатель прозвучит короткий звуковой сигнал. Звуковой сигнал отключится, как только оператор отпустит триггерный переключатель и нажмет на рычаг тормоза.

Прежде чем приступить к эксплуатации изделия, убедитесь в том, что рычаг тормоза работает надлежащим образом.

► **Рис.39:** 1. Рычаг тормоза

**ОСТОРОЖНО:** Если рычаг тормоза доходит до рукоятки при полном нажатии рычага, тормоз не работает должным образом. Отрегулируйте тормоз или обратитесь в местный сервисный центр Makita для ремонта.

1. С помощью переключателя аккумуляторов выберите блок аккумулятора.

2. Нажмите кнопку питания, расположенную на приборной панели, и удерживайте ее в течение нескольких секунд, чтобы включить питание.

► **Рис.40:** 1. Кнопка питания

3. Потяните рычаг тормоза, чтобы отключить блокировку рычага тормоза.

► **Рис.41:** 1. Кнопка блокировки 2. Рычаг тормоза

**ПРИМЕЧАНИЕ:** Если на тачке установлены задние колеса, отключите тормоз заднего колеса.

4. Крепко держите рукоятки обеими руками.

► **Рис.42**

5. Нажмите на триггерный переключатель.

► **Рис.43:** 1. Триггерный переключатель

## Загрузка материала

**ВНИМАНИЕ:** Перед загрузкой тачки убедитесь, что питание выключено и рычаг тормоза заблокирован.

**ВНИМАНИЕ:** Если на тачке установлены задние колеса, перед ее загрузкой убедитесь, что тормоз заднего колеса заблокирован.

**ВНИМАНИЕ:** Перед загрузкой тачки убедитесь, что тележка или кузов зафиксированы.

**ВНИМАНИЕ:** Убедитесь, что загруженные предметы не выступают за пределы тележки или кузова. Если загруженные предметы выступают за пределы тележки или кузова, они могут упасть или опрокинуться в случае соприкосновения с какими-либо препятствиями.

► **Рис.44**

**▲ВНИМАНИЕ:** Убедитесь, что загруженные материалы/предметы находятся ниже уровня глаз. Слишком высокое расположение груза на тачке представляет опасность, т. к. перекрывает оператору обзор. Кроме того, существует риск опрокидывания и травмы, поскольку груз с большей вероятностью будет неустойчивым.

► Рис.45

При загрузке предметов на тележку закрепите их тросами и веревочными крючками.

► Рис.46

## Разгрузка

**▲ВНИМАНИЕ:** Поднимайте тележку или кузов, когда тачка находится на ровной и твердой поверхности. Разгрузка на нетвердой поверхности может привести к несчастному случаю или травме.

Вы можете выгрузить объекты/материалы, подняв и наклонив тележку или кузов.

1. Остановите тачку и заблокируйте тормоза.

**ПРИМЕЧАНИЕ:** Для придания тачке большей устойчивости рекомендуется заблокировать переднее колесо.

2. Отпустите стопорный рычаг.

3. Встаньте сбоку от тачки, держите рукоятку одной рукой, а затем поднимите и наклоните тележку или кузов, толкая раму тележки вверх другой рукой.

► Рис.47

**▲ВНИМАНИЕ:** Крепко держите рукоятку и раму тележки, работайте, находясь в устойчивом положении.

**▲ВНИМАНИЕ:** Сведите количество груза в тачке (нагрузку) к минимуму. Если нагрузка слишком велика, не пытайтесь поднять тележку. Уменьшите нагрузку и затем поднимите тележку.

**▲ВНИМАНИЕ:** После осуществления разгрузки зафиксируйте тележку или кузов.

## ОБСЛУЖИВАНИЕ

**▲ВНИМАНИЕ:** Перед помещением на хранение или выполнением осмотра/технического обслуживания обязательно остановите тачку на ровной поверхности и заблокируйте рычаг тормоза.

**▲ВНИМАНИЕ:** Если на тачке установлены задние колеса, перед помещением на хранение или выполнением осмотра/технического обслуживания убедитесь, что тормоз заднего колеса заблокирован.

**▲ВНИМАНИЕ:** Перед помещением тачки на хранение или выполнением осмотра/технического обслуживания обязательно извлеките ключ блокировки и блок аккумулятора.

**▲ВНИМАНИЕ:** Если тачка не используется, обязательно извлеките ключ блокировки. Храните ключ блокировки в безопасном месте, недоступном для детей.

## Периодические проверки

• Проверьте надежность затяжки болтов и гаек.

► Рис.48

• Проверьте фиксацию тележки при полном опускании стопорного рычага.

► Рис.49: 1. Фиксатор тележки 2. Стопорный рычаг

• Проверьте исправное функционирование рычага тормоза.

► Рис.50: 1. Рычаг тормоза

**▲ОСТОРОЖНО:** Если рычаг тормоза доходит до рукоятки при полном нажатии рычага, тормоз не работает должным образом. Отрегулируйте тормоз или обратитесь в местный сервисный центр Makita для ремонта.

• Проверьте переднее колесо на наличие повреждений и проколов. Убедитесь в том, что шина переднего колеса достаточно накачана.

## Очистка тачки

**ПРИМЕЧАНИЕ:** Запрещается использовать бензин, растворители, спирт и другие подобные жидкости. Это может привести к обесцвечиванию, деформации и трещинам.

**ПРИМЕЧАНИЕ:** При очистке тачки проточной водой подавайте воду под тележку или кузов. Не используйте для очистки водоструйный аппарат высокого давления.

Удалите грязь, грунт и прочие загрязнения с тачки. Очистите тачку проточной водой. После очистки протрите тачку сухой тканью.

## Хранение

Извлеките ключ блокировки. Храните тачку в безопасном месте, недоступном для детей.

При хранении тачки рукоятки можно повернуть вперед. Снимите короткие шестигранные болты и ступенчатые болты ключом, входящим в комплект. Поверните рукоятки наружу, а затем поверните их вперед. Затяните короткие шестигранные болты и ступенчатые болты, чтобы зафиксировать рукоятки.

► **Рис.51:** 1. Ступенчатый болт 2. Короткий шестигранный болт

**ПРИМЕЧАНИЕ:** Не затягивайте слишком сильно короткие шестигранные болты. Затяните их оптимальным усилием, чтобы рукоятки были надежно закреплены.

**ПРИМЕЧАНИЕ:** Не зажимайте шнуры болтами.

## Регулировка тормоза

**ВНИМАНИЕ:** Если на тачке установлены задние колеса, перед регулировкой тормоза убедитесь, что тормоз заднего колеса заблокирован.

1. Снимите тележку или кузов, затем откройте раму тележки.

► **Рис.52:** 1. Рама тележки

2. Потяните рычаг тормоза, чтобы разблокировать кнопку блокировки рычага тормоза.

► **Рис.53:** 1. Кнопка блокировки 2. Рычаг тормоза

3. Ослабьте регулировочную втулку и фиксирующую гайку.

► **Рис.54:** 1. Регулировочная втулка  
2. Фиксирующая гайка

4. Затяните только фиксирующую гайку.

► **Рис.55:** 1. Фиксирующая гайка

5. Ослабьте регулировочную втулку и фиксирующую гайку.

► **Рис.56:** 1. Регулировочная втулка  
2. Фиксирующая гайка

6. Затяните только фиксирующую гайку.

► **Рис.57:** 1. Фиксирующая гайка

7. Убедитесь, что рычаг тормоза при полном нажатии останавливается на половине хода. Если рычаг тормоза останавливается на половине хода, перейдите к шагу 13. Если рычаг тормоза не останавливается на половине хода, перейдите к шагу 8.

► **Рис.58:** 1. Рычаг тормоза

8. Ослабьте только фиксирующую гайку.

► **Рис.59:** 1. Фиксирующая гайка

9. Затяните фиксирующую гайку и регулировочную втулку.

► **Рис.60:** 1. Регулировочная втулка  
2. Фиксирующая гайка

10. Ослабьте только фиксирующую гайку.

► **Рис.61:** 1. Фиксирующая гайка

11. Затяните фиксирующую гайку и регулировочную втулку.

► **Рис.62:** 1. Регулировочная втулка  
2. Фиксирующая гайка

12. Убедитесь, что рычаг тормоза при полном нажатии останавливается на половине хода.

► **Рис.63:** 1. Рычаг тормоза

13. Сложите раму тележки и установите тележку или ковш.

► **Рис.64:** 1. Рама тележки

## Подкачка шины

Проверьте накачку шины переднего колеса. Если шина недостаточно накачана, подкачайте ее насосом для шин. Рекомендуется поддерживать в шине давление 230 кПа.

► **Рис.65**

## ДОПОЛНИТЕЛЬНЫЕ ПРИНАДЛЕЖНОСТИ

**ВНИМАНИЕ:** Данные принадлежности или приспособления рекомендуются для использования с инструментом Makita, указанным в настоящем руководстве. Использование других принадлежностей или приспособлений может привести к получению травмы. Используйте принадлежность или приспособление только по указанному назначению.

**ВНИМАНИЕ:** Используйте только принадлежности и насадки Makita, предназначенные для данного изделия. Использование любых других принадлежностей или насадок может привести к тяжелым травмам.

Если вам необходимо содействие в получении дополнительной информации по этим принадлежностям, свяжитесь с вашим сервис-центром Makita.

- Грузовая тележка
- Кузов
- Дополнительные диски
- Оригинальный аккумулятор и зарядное устройство Makita

**ПРИМЕЧАНИЕ:** Некоторые элементы списка могут входить в комплект инструмента в качестве стандартных приспособлений. Они могут отличаться в зависимости от страны.

**Makita Europe N.V.** Jan-Baptist Vinkstraat 2,  
3070 Kortenberg, Belgium

**Makita Corporation** 3-11-8, Sumiyoshi-cho,  
Anjo, Aichi 446-8502 Japan

[www.makita.com](http://www.makita.com)

885584E982  
EN, SV, NO, FI, DA,  
LV, LT, ET, RU  
20210122