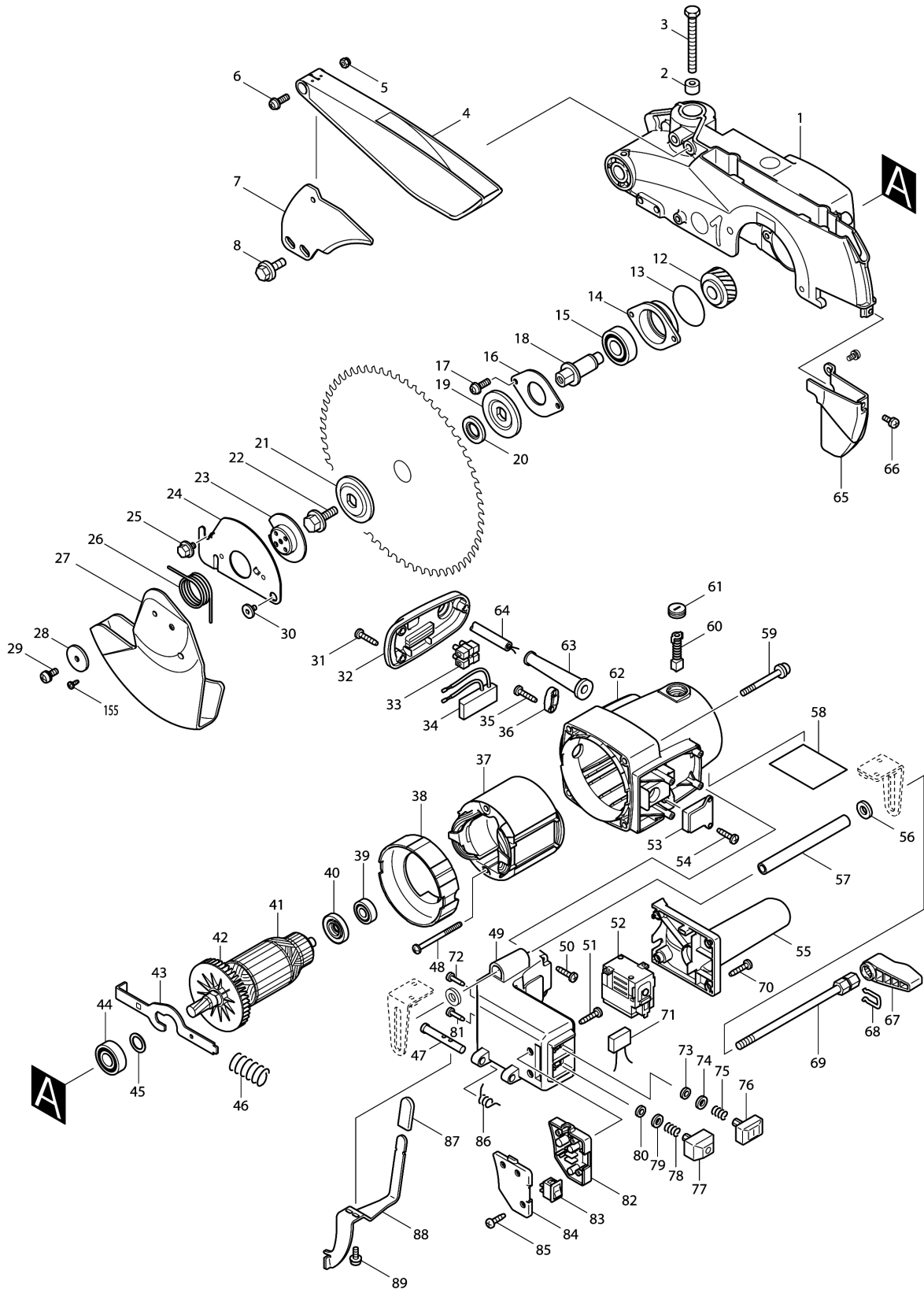
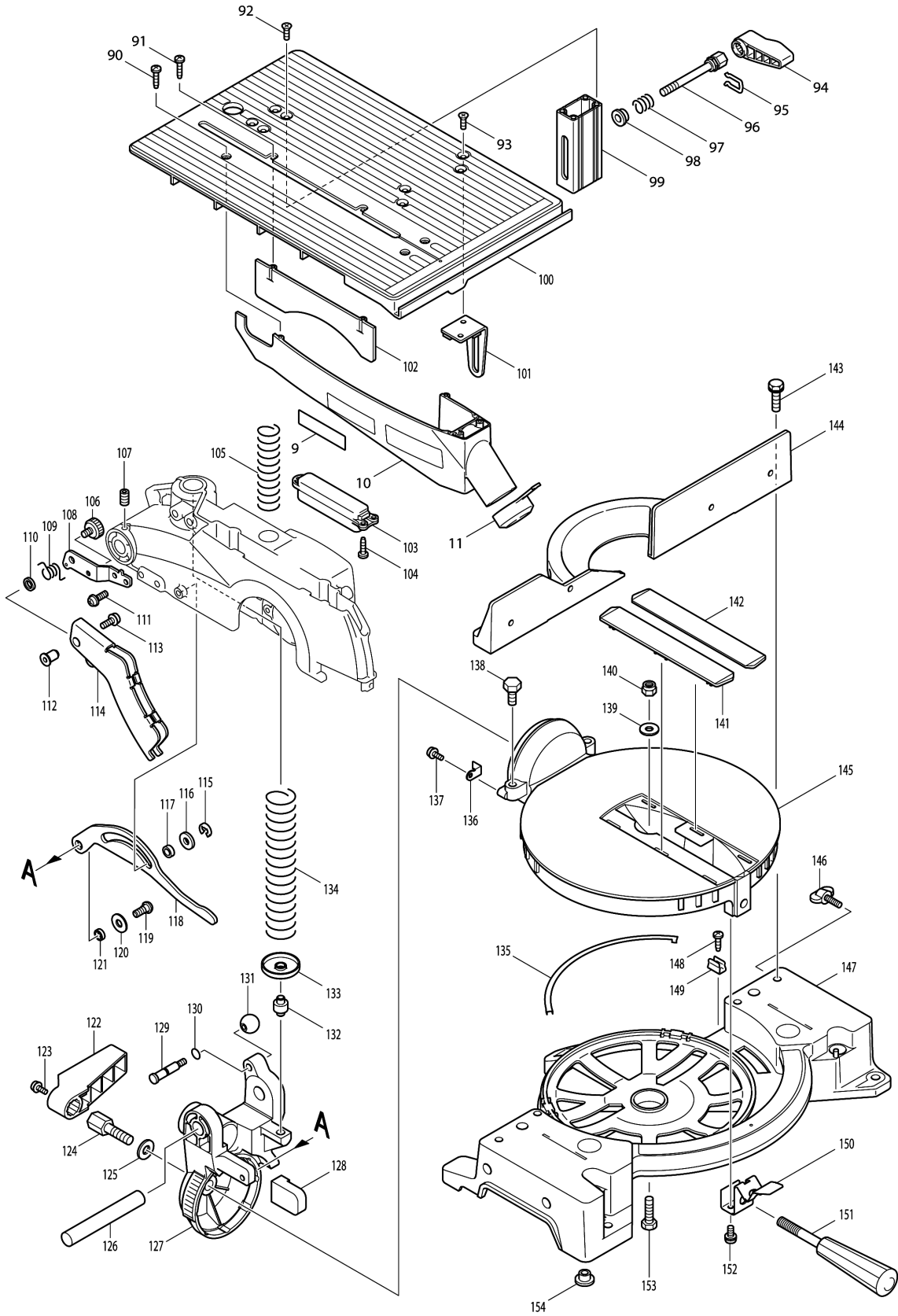


Model No.LH1040F TABLE TOP MITER SAW 260MM



Model No.LH1040F TABLE TOP MITER SAW 260MM



Model No.LH1040F TABLE TOP MITER SAW 260MM

Item	Parts No.	Description	I/C	Qty	New/Old	Opt. 1	Opt. 2	Note
001	153993-1	BLADE CASE COMPLETE		1	*			
C10	263005-3	RUBBER PIN 6		1	*			
C20	810968-0	CAUTION LABEL		1	*			
C30	817667-5	CAUTION LABEL		1	*			
001-1	141142-2	BLADE CASE COMPLETE	O	1	*			
C10	263005-3	RUBBER PIN 6		1	*			
C20	810968-0	CAUTION LABEL		1	*			
C30	817667-5	CAUTION LABEL		1	*			
001-2	141629-4	BLADE CASE COMPLETE	<	1	*			
C10	263005-3	RUBBER PIN 6		1	*			
C20	810968-0	CAUTION LABEL		1	*			
C30	817667-5	CAUTION LABEL		1	*			
001-3	142818-4	BLADE CASE COMPLETE	<	1				
C10	263005-3	RUBBER PIN 6		1				
C20	810968-0	CAUTION LABEL		1				
C30	817667-5	CAUTION LABEL		1				
002	262511-5	RUBBER SLEEVE 6		1				
003	251667-9	HEX. BOLT M8X75		1				
004	154521-5	COVER COMPLETE		1	*			
C10	817283-3	CAUTION LABEL		1	*			
004-1	141144-8	COVER COMPLETE	O	1				
C10	817283-3	CAUTION LABEL		1				
C20	890408-4	CAUTION LABEL		1				
005	252103-8	HEX. LOCK NUT M5-8		1				
006	911223-4	PAN HEAD SCREW M5X16		1				
007	345423-8	RIVING KNIFE		1				
008	251644-1	HEX. FLANGE HEAD BOLT M8X20		2				
009	819064-1	MAKITA MARK		1				
010	183881-8	UNDER GUARD L		1	*			
C10	810063-6	CAUTION LABEL		1	*			
D10		INC. 9			*			
010-1	187136-3	UNDER GUARD L	O	1				
C10	810063-6	CAUTION LABEL		1				
D10		INC. 9						
011	421362-7	CAP		1				
012	226465-0	HELICAL GEAR 42		1				
013	213621-1	O RING 46		1				
014	316821-3	BEARING BOX		1				
015	211256-2	BALL BEARING 6203LLB		1				
016	285685-5	BEARING RETAINER 64		1				
017	911223-4	PAN HEAD SCREW M5X16		2				
018	322865-3	SPINDLE		1				

Please order the parts with part number.

Print Date 31/3/2020

Model No.LH1040F TABLE TOP MITER SAW 260MM

Item	Parts No.	Description	I/C	Qty	New/Old	Opt. 1	Opt. 2	Note
019	224333-1	FLANGE 53		1				
020	257262-3	RING 16		1				
021	224333-1	FLANGE 53		1				
022	265355-2	HEX. FLANGE HEAD BOLT M8X20		1				
023	343639-9	CENTER PLATE		1				
024	344380-7	CENTER COVER		1	*			
024-1	346516-4	CENTER COVER	O	1				
025	265324-3	HEX. FLANGE HEAD BOLT M8X12		1				
026	231593-8	TORSION SPRING 36		1				
027	418625-0	SAFETY COVER		1	*			
027-1	453026-5	SAFETY COVER	O	1				
028	267136-0	FLAT WASHER 5		1				
029	911213-7	PAN HEAD SCREW M5X12		1	*			
029-1	922211-6	HEX. SOCKET HEAD BOLT M5X12	<	1				
030	265985-9	HEX.SOCKET HEAD BOLT M6		1				
031	265995-6	TAPPING SCREW 4X18		3				
032	418620-0	HOUSING COVER		1				
033	654561-8	TERMINAL BLOCK		1				
034	631613-2	SOFT START CIRCUIT		1				
035	265995-6	TAPPING SCREW 4X18		2				
036	687052-4	STRAIN RELIEF		1	*			
036-1	687124-5	STRAIN RELIEF	O	1				
037	599519-9	FIELD ASS'Y 220-240V		1				
C10	654020-2	RING TERMINAL		2				
C20	654502-4	CONNECTOR P-2		2				
038	418621-8	BAFFLE PLATE		1				
039	211061-7	BALL BEARING 6000LLB		1				
040	681640-9	INSULATION WASHER		1				
041	516718-8	ARMATURE ASS'Y 220V		1				
D10		INC. 39,40,42,44,45						
042	241909-9	FAN 80		1				
043	343641-2	SHAFT LOCK		1				
044	211206-7	BALL BEARING 6202LLB		1				
045	267280-3	FLAT WASHER 15		1				
046	231297-2	COMPRESSION SPRING 9		1				
047	324496-4	LOCK PIN 8		1				
048	266029-8	TAPPING SCREW 5X65		2				
049	418630-7	SWITCH BOX		1				
050	265995-6	TAPPING SCREW 4X18		4				
051	265995-6	TAPPING SCREW 4X18		2				
052	652772-9	RELAY 305.232.01		1				

Please order the parts with part number.

Print Date 31/3/2020

Model No.LH1040F TABLE TOP MITER SAW 260MM

Item	Parts No.	Description	I/C	Qty	New/Old	Opt. 1	Opt. 2	Note
053	153996-5	CLAMP PLATE COMPLETE		1				
054	266020-6	TAPPING SCREW 4X12		2				
055	153995-7	HANDLE COMPLETE		1				
056	941201-0	FLAT WASHER 8		2				
057	331683-8	PIPE 9-126		1				
058	860810-5	NAME PLATE LH1040F		1	*			
058-1	864416-1	LH1040F NAME PLATE	O	1				
059	911383-2	PAN HEAD SCREW M6X60		4				
060	181044-0	CARBON BRUSH CB-153		1				
061	643650-4	BRUSH HOLDER CAP 6.5-13.5		2	*			
061-1	643650-4	BRUSH HOLDER CAP 6.5-13.5	O	2				
062	153994-9	MOTOR HOUSING COMPLETE		1	*			
C10	643660-1	BRUSH HOLDER 6.5-13.5		2	*			
062-1	158561-5	MOTOR HOUSING COMPLETE	O	1				
C10	643653-8	BRUSH HOLDER 6.5-13.5		2	*			
C11	643536-2	BRUSH HOLDER 6.5X13.5	<	2				
063	682516-3	CORD GUARD 9.3-85		1				
064	665865-3	POWER SUPPLY CORD 1.0-2-2.5		1				
065	165389-4	BLADE GUARD		1	*			
065-1	165659-1	BLADE GUARD	O	1				
066	911206-4	PAN HEAD SCREW M5X10		2				
067	272230-5	LEVER 54		1				
068	231955-0	RING SPRING 12		1				
069	331682-0	LOCK BOLT M8X150		1				
070	265995-6	TAPPING SCREW 4X18		4				
071	645200-1	NOISE SUPPRESSOR		1				
072	418618-7	PIN		1				
073	443103-1	FELT RING 6		1				
074	253186-1	FLAT WASHER 7		1				
075	231025-5	COMPRESSION SPRING 8		1				
076	418616-1	SWITCH BUTTON ON		1				
077	418617-9	SWITCH BUTTON OFF		1				
078	231025-5	COMPRESSION SPRING 8		1				
079	253186-1	FLAT WASHER 7		1				
080	443103-1	FELT RING 6		1				
081	418618-7	PIN		1				
082	418623-4	LIGHT SWITCH BOX		1				
083	651522-9	SWITCH SLE6A		1				
084	418624-2	LIGHT SWITCH BOX COVER		1				
085	265893-4	TAPPING SCREW 3X12		3				
086	231674-8	TORSION SPRING 9		1				
087	421589-9	CAP		1				

Please order the parts with part number.

Print Date 31/3/2020

Model No.LH1040F TABLE TOP MITER SAW 260MM

Item	Parts No.	Description	I/C	Qty	New/Old	Opt. 1	Opt. 2	Note
088	345427-0	LOCK LEVER		1				
089	911113-1	PAN HEAD SCREW M4X10 WITH WR		2				
090	265995-6	TAPPING SCREW 4X18		3				
091	265995-6	TAPPING SCREW 4X18		2				
092	912222-9	COUNTERSUNK HEAD SCREW M5X16		4				
093	912222-9	COUNTERSUNK HEAD SCREW M5X16		4				
094	272230-5	LEVER 54		1				
095	231955-0	RING SPRING 12		1				
096	331681-2	LOCK BOLT M8X70		1				
097	233042-1	COMPRESSION SPRING 14		1				
098	257675-8	SLEEVE 8		1				
099	317779-9	TABLE SUPPORT		1				
100	153992-3	TABLE COMPLETE		1	*			
C10	816818-7	SCALE PLATE		1	*			
100-1	141630-9	TABLE COMPLETE	<	1				
C10	816818-7	SCALE PLATE		1				
101	165388-6	SUPPORT PLATE		2				
102	418619-5	UNDER GUARD R		1	*			
102-1	453029-9	UNDER GUARD R	O	1				
103	631611-6	LIGHT CIRCUIT		1				
104	266034-5	TAPPING SCREW CT 4X16		4				
105	233415-8	COMPRESSION SPRING 21		1				
106	251812-6	SCREW M5X10		1				
107	251961-9	H.S.SET SCREW(FLAT POINT)M6X10		1				
108	345425-4	GUARD HOLDER		1				
109	231675-6	TORSION SPRING 11		1				
110	267070-4	FLAT WASHER 10		1				
111	911223-4	PAN HEAD SCREW M5X16		2				
112	324497-2	GUARD SHAFT		1				
113	911223-4	PAN HEAD SCREW M5X16		1				
114	345426-2	GUARD		1				
115	961018-5	STOP RING E-5		1				
116	253804-1	FLAT WASHER 6		1				
117	257163-5	RING 6		1				
118	344377-6	LINK PLATE		1				
119	265984-1	HEX.SOCKET BUTTON HEAD BOLT M6		1				
120	253823-7	FLAT WASHER 7		1				
121	257162-7	RING 7		1				
122	416006-2	LEVER 100		1				
123	911113-1	PAN HEAD SCREW M4X10 WITH WR		1				

Please order the parts with part number.

Print Date 31/3/2020

Model No.LH1040F TABLE TOP MITER SAW 260MM

Item	Parts No.	Description	I/C	Qty	New/Old	Opt. 1	Opt. 2	Note
124	265437-0	HEX. BOLT M10		1				
125	253024-7	FLAT WASHER 10		1				
126	256836-7	ROD 16		1				
127	154463-3	ARM COMPLETE		1	*			
127-1	141139-1	ARM COMPLETE	O	1				
128	421867-7	CAP		1				
129	324183-5	STOPPER PIN		1				
130	213021-5	O RING 5		1				
131	271601-3	KNOB 20		1				
132	256280-8	PIN 8		1				
133	344464-1	SPRING HOLDER		1				
134	233414-0	COMPRESSION SPRING 27		1				
135	343799-7	SLIDE PLATE		3				
136	344385-7	POINTER		1				
137	911113-1	PAN HEAD SCREW M4X10 WITH WR		1				
138	265455-8	HEX. BOLT M8X28		2				
139	253762-1	FLAT WASHER 8		1				
140	252105-4	HEX. LOCK NUT M8-13		1				
141	418615-3	KERF BOARD		1	*			
141-1	453028-1	KERF BOARD	O	1				
142	418615-3	KERF BOARD		1	*			
142-1	453028-1	KERF BOARD	O	1				
143	265488-3	HEX. BOLT M8X30		4				
144	317782-0	GUIDE FENCE		1	*			
144-1	318798-8	GUIDE FENCE	O	1	*			
144-2	318895-0	GUIDE FENCE	<	1	*			
144-3	319200-4	GUIDE FENCE	<	1				
145	316824-7	TURN BASE		1	*			
145-1	318800-7	TURN BASE	O	1				
146	265708-5	THUMB SCREW M6X20		1	*			
146-1	911333-7	PAN HEAD SCREW M6X20	<	2				
147	153998-1	BASE COMPLETE		1	*			
C10	816311-1	MITER SCALE PLATE		1	*			
C20	810965-6	CAUTION LABEL		1	*			
C30	817283-3	CAUTION LABEL		2	*			
147-1	141140-6	BASE COMPLETE	O	1				
C10	816311-1	MITER SCALE PLATE		1				
C20	810965-6	CAUTION LABEL		1				
C30	817283-3	CAUTION LABEL		2				
148	266034-5	TAPPING SCREW CT 4X16		1				
149	232075-3	LEAF SPRING		1				
150	344381-5	KNOCK SPRING		1				

Please order the parts with part number.

Print Date 31/3/2020

Model No.LH1040F TABLE TOP MITER SAW 260MM

Item	Parts No.	Description	I/C	Qty	New/Old	Opt. 1	Opt. 2	Note
151	273495-2	GRIP 32		1				
152	911213-7	PAN HEAD SCREW M5X12		2				
153	921452-1	HEX. BOLT M8X30		1				
154	286212-1	CAP 20		4				
155	265954-0	TAPPING SCREW BIND PT3X8		1				
A01	122472-0	SET PLATE ASS'Y		1	*			
C10	251887-5	SCREW M6X10		1	*			
A01-1	122472-0	SET PLATE ASS'Y	O	1				
C10	251887-5	SCREW M6X10		1				
A02	122523-9	DUST BAG ASS'Y		1	*			
C10	410602-8	FASTENER		1	*			
A02-1	122852-0	DUST BAG ASS'Y	<	1				
C10	410602-8	FASTENER		1				
A03	122707-9	RULER ASS'Y		1				
C10	165392-5	RULE HOLDER		1				
C20	251858-2	DIAL SCREW M6X15		1				
C30	265730-2	THUMB SCREW M6X35		1				
C40	345424-6	GUIDE PLATE		1				
C50	345440-8	LOCK PLATE		1				
C60	418662-4	RULE GUIDE		1				
C70	911159-7	PAN HEAD SCREW M4X30		2				
C80	941151-9	FLAT WASHER 6		1				
C90	317793-5	RULER		1				
A04	257022-3	RING 16		1				
A05	762001-3	TRIANGULAR RULE		1				
A06	122716-8	SUB PLATE ASS'Y		1				
C10	252148-6	SQUARE NUT M8		1				
C20	921431-9	HEX. BOLT M8X20		1				
C30	922206-9	HEX. SOCKET HEAD BOLT M5X10		2				
A07	322312-4	HOLDER		1	*			
A07-1	123101-8	HOLDER ASSEMBLY	<	2				
C10	286212-1	CAP 20		4				
C20	326182-3	HOLDER		2				
C30	332036-4	ADJUSTER		4				
A08	416772-1	PUSH STICK		1				
A09	418626-8	BLADE COVER		1	*			
A09-1	453727-5	BLADE COVER	<	1				
A10	B-03838	T.C.T.SAW BLADE 260X30X60T		1	*			
A10-1	D-46408	TCT SAW BLADE 260 X 30 X 60T	O	1				
A11	782212-4	SOCKET WRENCH 13		1				
A13	122536-0	WISE ASS'Y		1				

Please order the parts with part number.

Print Date 31/3/2020

Model No.LH1040F TABLE TOP MITER SAW 260MM

Item	Parts No.	Description	I/C	Qty	New/Old	Opt. 1	Opt. 2	Note
C10	251370-2	+ PAN HEAD SCREW M5		1				
C20	251887-5	SCREW M6X10		1				
C30	253804-1	FLAT WASHER 6		1				
C40	271286-5	KNOB 40		1				
C50	316938-2	WISE ARM		1				
C60	322313-2	WISE ROD		1				
C70	343651-9	WISE PLATE		1				
E05	346605-5	CAM PLATE		1				
E06	266026-4	TAPPING SCREW BIND CT 4X12		2				
E07	346606-3	GUARD PLATE		1				
E08	265011-4	+ BINDING HEAD SCREW M5		1				
E09	253823-7	FLAT WASHER 7		1				
E10	231684-5	TORSION SPRING 11		1				
E11	251887-5	SCREW M6X10		1				
E12	142817-6	SUB FENCE COMPLETE		1				
E13	253715-0	FLAT WASHER 6		1				
E14	265031-8	+ COUNTERSUNK HEAD SCREW M6X20		1				
E15	344476-4	SUB FENCE PLATE		1				
E16	931302-2	HEX. NUT M6		1				

Please order the parts with part number.

Print Date 31/3/2020