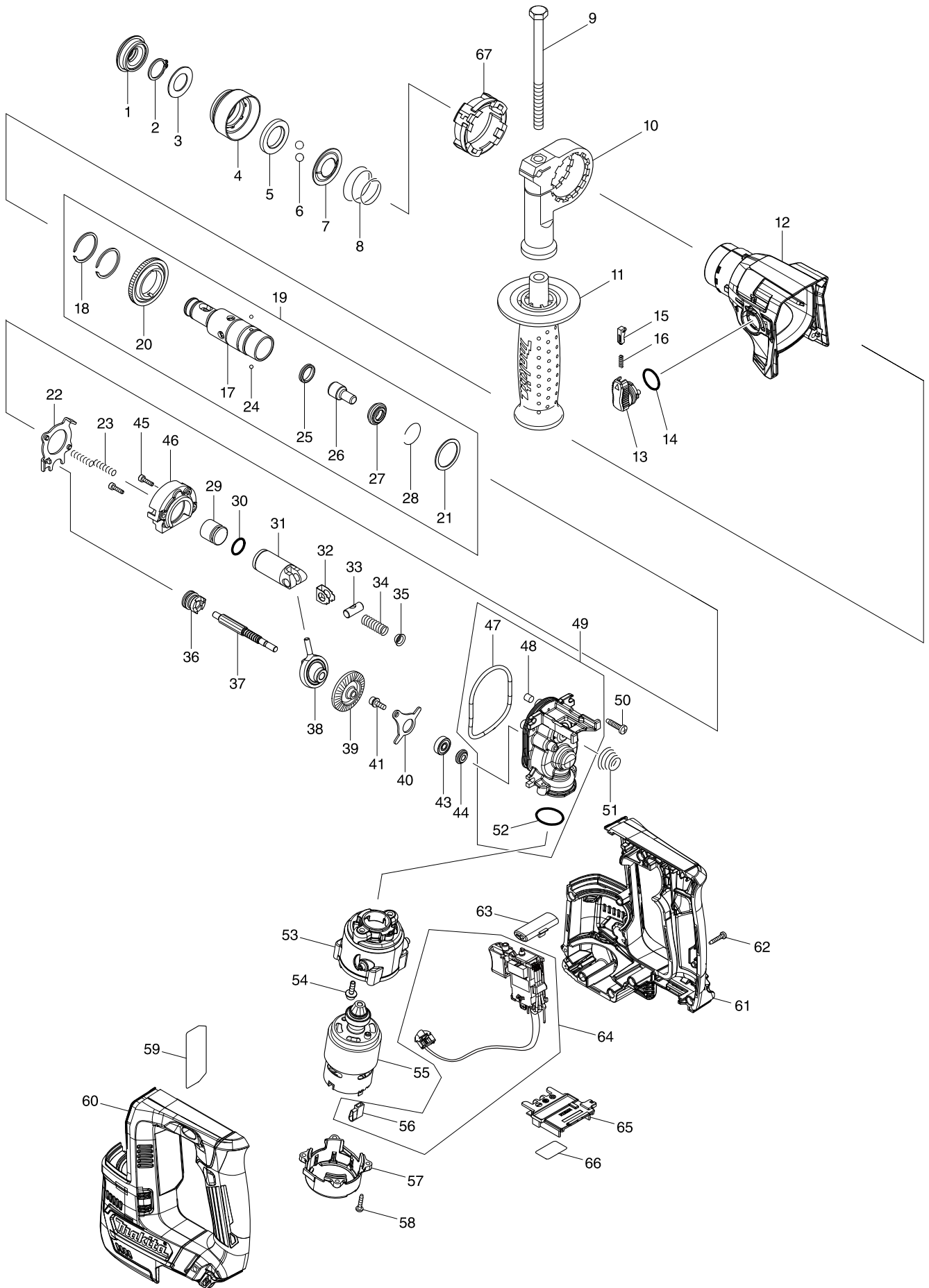


Model No. HR140D 14MM CORDLESS ROTARY HAMMER



Model No. HR140D 14MM CORDLESS ROTARY HAMMER

Item	Parts No.	Description	I/C	Qty	N/O	Opt. 1	Opt. 2	Note
001	286037-3	CAP 34		1				
002	961057-5	RETAINING RING S-17		1				
003	253377-4	FLAT WASHER 17		1				
004	457214-6	CHUCK COVER		1				
005	257416-2	RING 21		1				
006	216022-2	STEEL BALL 7.0		2				
007	346177-0	GUIDE WASHER		1				
008	232347-6	CONICAL COMP. SPRING 21-29		1				
009	921923-8	HEX. BOLT M8X120		1				
010	417911-6	GRIP BASE		1				
011	158057-6	GRIP 36 COMPLETE		1				
C10	931402-8	HEX. NUT M8		1				
012	144575-0	GEAR HOUSING COMPLETE		1				
C10	211375-4	BALL BEARING 6805LLB		1				
C20	213788-5	OIL SEAL 25		1				
013	161569-0	CHANGE LEVER COMPLETE		1				
014	213278-8	O RING 17		1				
015	161568-2	LOCK BUTTON COMPLETE		1				
016	232344-2	COMPRESSION SPRING 3		1				
017	326841-9	TOOL HOLDER		1				
018	961135-1	RETAINING(EXT) WR-25		2				
019	135933-1	TOOL HOLDER ASS'Y		1				
D10		INC. 17,18,20,21,24-28						
020	221483-3	SPUR GEAR 57		1				
021	267175-0	FLAT WASHER 24		1				
022	161570-5	CHANGE PLATE COMPLITE		1				
023	233194-8	COMPRESSION SPRING 4		2				
024	216019-1	STEEL BALL 3		2				
025	213183-9	X RING 13		1				
026	326843-5	IMPACT BOLT		1				
027	326842-7	RING 10		1				
028	232343-4	RING SPRING 23		1				
029	326995-2	STRIKER		1				
030	213128-7	O RING 12		1				
031	319510-9	PISTON CYLINDER		1				
032	347101-6	GUIDE PLATE		1				
033	326846-9	PISTON JOINT		1				
034	232346-8	COMPRESSION SPRING 8		1				
035	347102-4	SPRING GUIDE		1				
036	326845-1	CLUTCH CAM		1				
037	221482-5	SPUR GEAR 8		1				
038	219026-3	SWASH BEARING 6		1				
039	221553-8	SPIRAL BEVEL GEAR 37		1				
040	347100-8	BEARING RETAINER		1				
041	266273-7	HEX. SOCKET HEAD BOLT M4X12		1				
043	210065-6	BALL BEARING 625ZZ		1				
044	326847-7	RING 5		1				
045	265910-0	HEX. SOCKET HEAD BOLT M3X12		2				

Model No. HR140D 14MM CORDLESS ROTARY HAMMER

Item	Parts No.	Description	I/C	Qty	N/O	Opt. 1	Opt. 2	Note
046	144219-2	INNER SUPPORT COMPLETE		1				
047	213092-2	O-RING 60		1				
048	443138-2	FILTER		1				
049	135926-8	INNER HOUSING ASSEMBLY		1				
D10		INC. 47,48,52						
050	265995-6	TAPPING SCREW 4X18		4				
051	232345-0	CONICAL COMP. SPRING 8-19		1				
052	213008-7	O RING 22.4		1				
053	457784-5	MOTOR CASE A		1				
054	251565-7	H. S. HEAD BOLT M4X14		2				
055	629285-5	DC MOTOR		1				
C10	213162-7	O RING 14		1				
056	686039-3	RECEPTACLE SLEEVE		1				
057	457785-3	MOTOR CASE B		1				
058	266130-9	TAPPING SCREW BIND PT 3X16		4				
059	853R39-8	HR140D NAME PLATE		1				
060	183H16-9	HOUSING SET		1				
C10	252126-6	HEX. LOCKING NUT M4-7		2				
C20	262182-8	RUBBER RING 6		2				
C30	263002-9	RUBBER PIN 4		2				
D10		INC. 61						
061	183H16-9	HOUSING SET		1				
C10	252126-6	HEX. LOCKING NUT M4-7		2				
C20	262182-8	RUBBER RING 6		2				
C30	263002-9	RUBBER PIN 4		2				
D10		INC. 60						
062	266130-9	TAPPING SCREW BIND PT 3X16		9				
063	457786-1	F/R CHANGE LEVER		1				
064	539236-9	SWITCH UNIT ASS'Y		1				
D10		INC. 56						
065	644813-5	TERMINAL		1				
066	853R45-3	HR140D SERIAL NO. LABEL		1				
A01	415486-9	DEPTH GAUGE		1				