

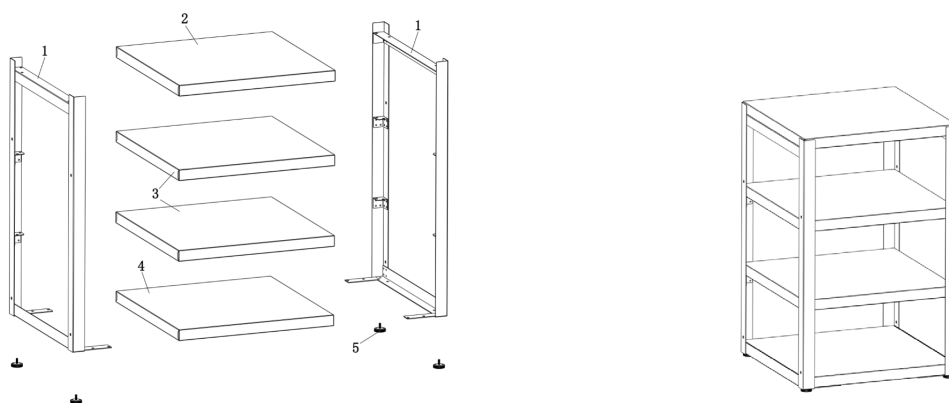
**MODEL: SUNC-ST600-7965SS/ SUNC-ST600-7977BLACK**

**SUNC-ST1200-7966SS/ SUNC-ST1200-7978BLACK**

**SUNC-ST1800-7967SS/ SUNC-ST1800-7979BLACK**

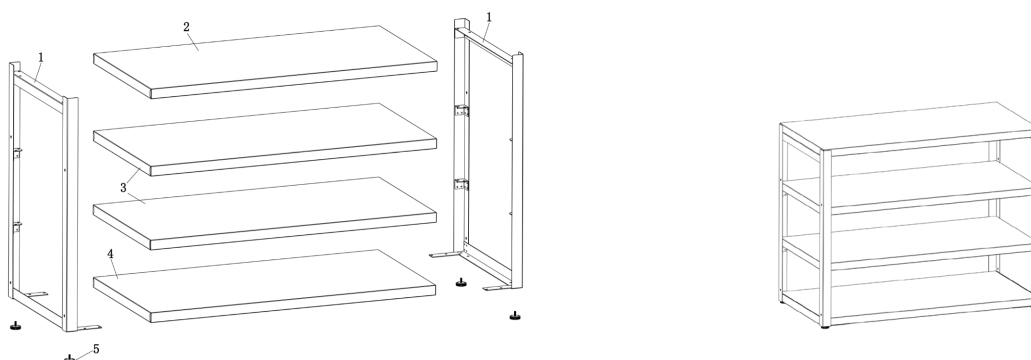
**1. Side table, x 1 (600mm)**

**MODEL: SUNC-ST600-7965SS/ SUNC-ST600-7977BLACK**



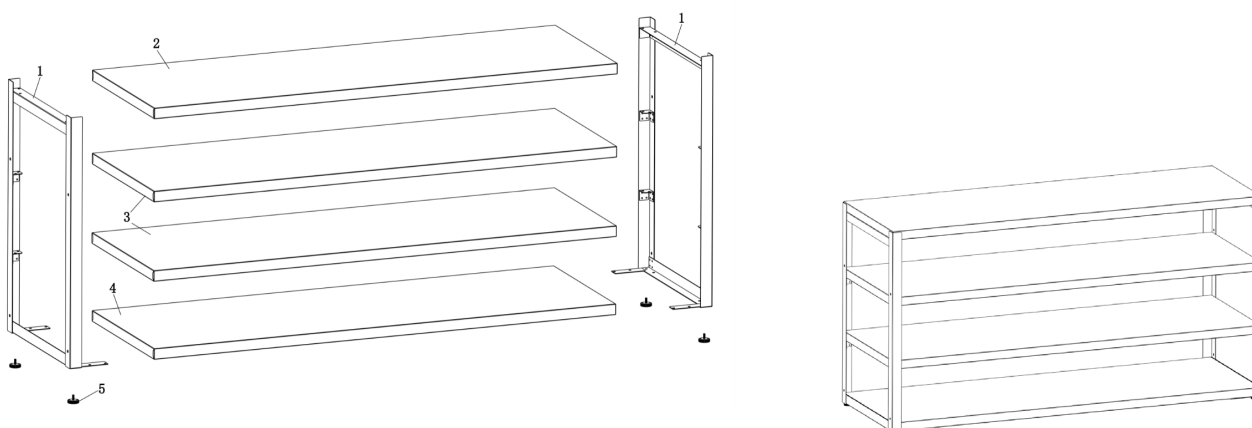
**2. Side table, x 2 (1200mm)**

**MODEL: SUNC-ST1200-7966SS/ SUNC-ST1200-7978BLACK**



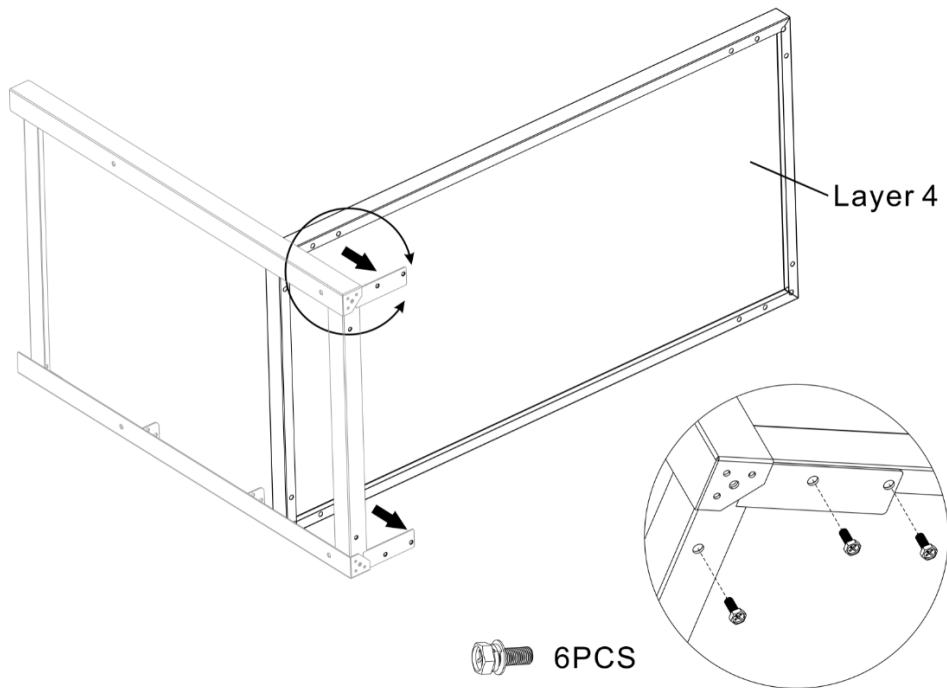
**3. Side table, x 3 (1800mm)**

**MODEL: SUNC-ST1800-7967SS/ SUNC-ST1800-7979BLACK**

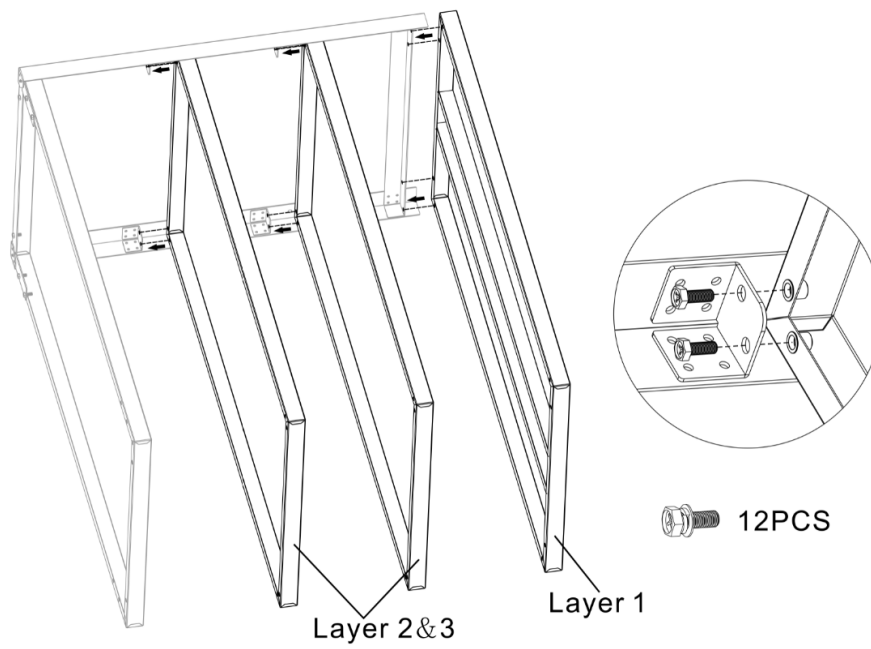


## 4.Connection Steps

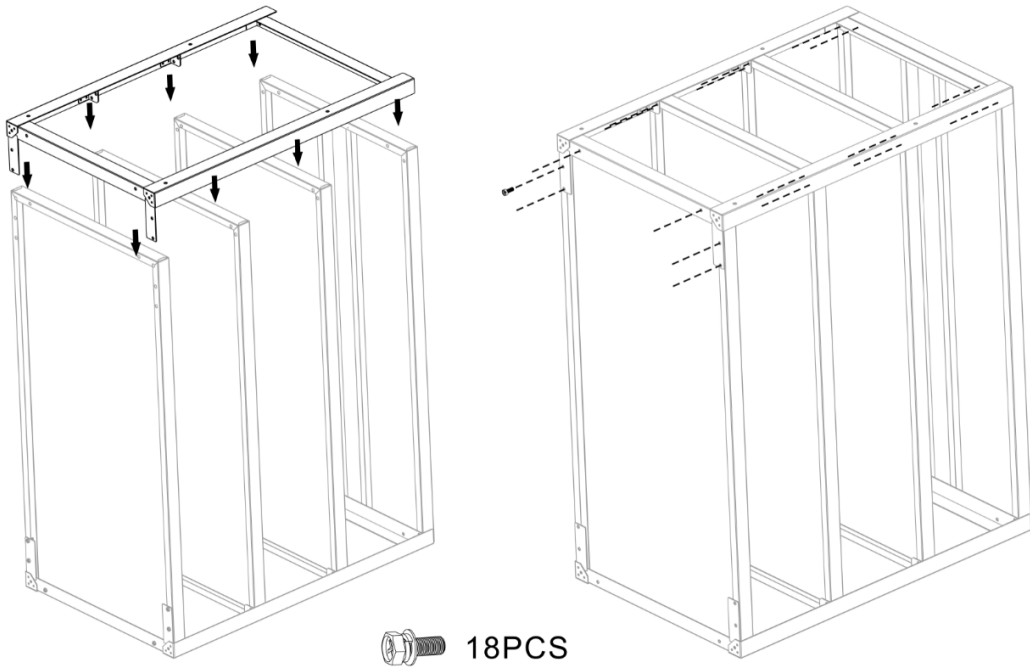
### 1) Step 1



### 2) Step 2



3) Step 3



4) Step 4

