

X32000110
X32000120

25 VERSION: V1.01
PRINT DATE: 20.08.2025

PACKAGING: ASSEMBLY
SIZE: 216 x 297 mm

ARTWORK BY: BYE
REVISOR BY: TRANSFER
TRANSFER: ROSITA

COLORS: BICO



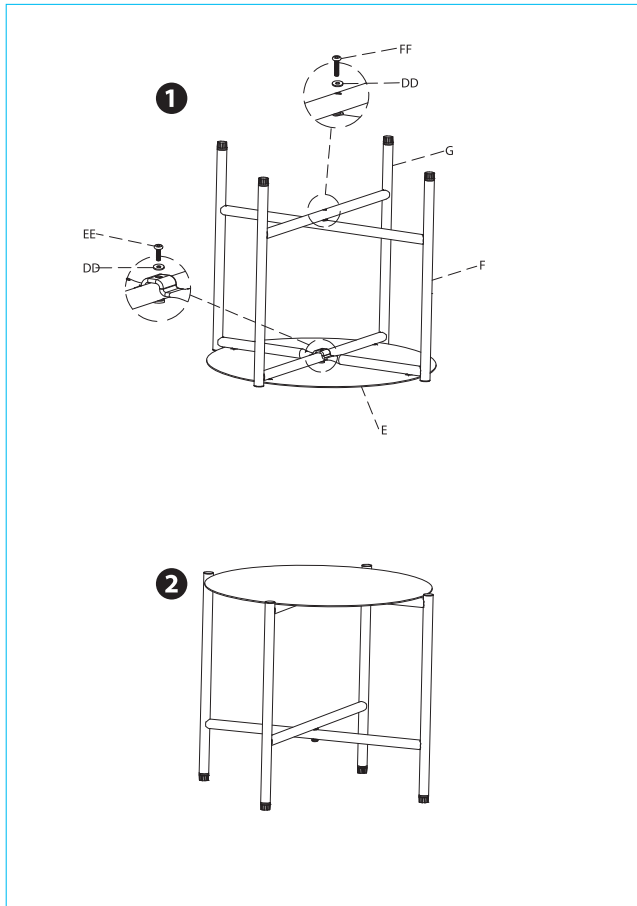
PLEASE MAKE SURE TO:
- USE GOOD QUALITY PAPER
- USE SHINY FINISH
- USE BEEP PAPER-OFF QUALITY STICKER
- KEEP FORMAT OF ARTWORK AS MADE BY US
- DO NOT PRINT THE DOTTED LINES
- MAKE SURE THAT AFTER PRINTING THE BARCODE IS STILL SCANNABLE
- USE 20 GRAMS PAPER FOR INSTRUCTIONS, WARNINGS, AND/OR ASSEMBLY MANUALS
- ALWAYS USE PERMANENT QUALITY STICKER FOR DOTTED LINES

THIS DIMENSION MEASURES 4 cm WHEN PRINTED AT 100%. IF MOST THE ARTWORK IS NOT PRINTED AT 100% ORIGINAL SIZE

WARNINGS/INSTRUCTIONS
FUR006

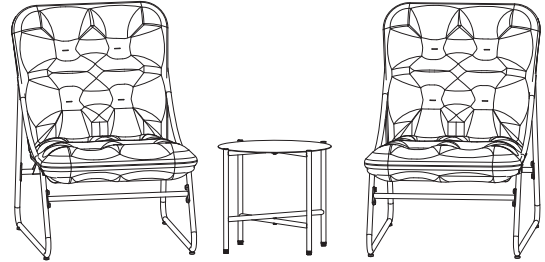
PLEASE ENSURE THAT THE CORRECT MANUAL(S) AND/OR WARNING(S) IS/ARE ADDED TO THE ITEM WHERE APPLICABLE

PAGE 4



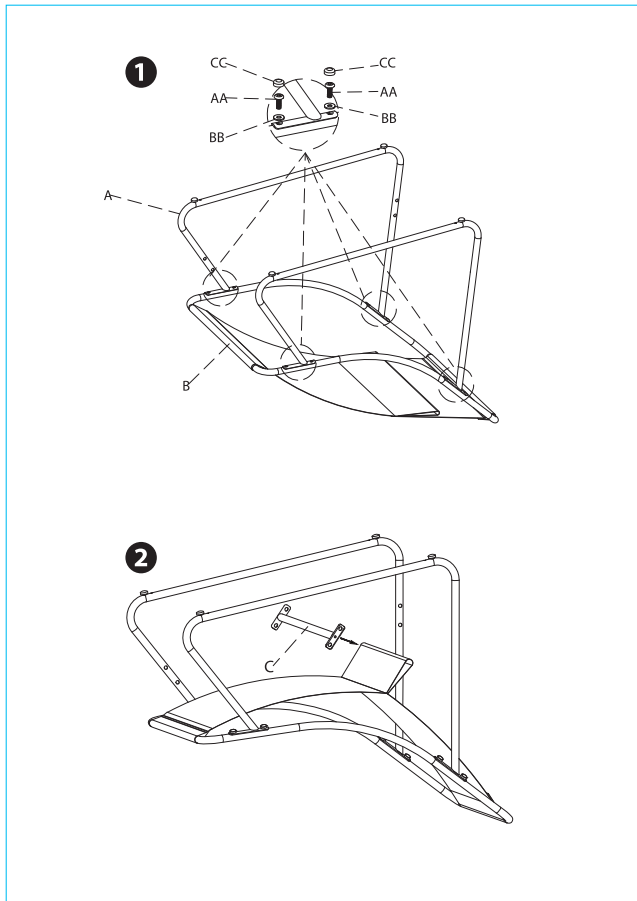
PAGE 1

ASSEMBLY INSTRUCTIONS



A	B	C	D	E	F	G
4PCS	2PCS	4PCS	2PCS	1PCS	1PCS	1PCS
AA	BB	CC	DD	EE	FF	
M6x15L 32PCS	M6 32PCS	M6 32PCS	M6 2PCS	M6x20L 1PCS	M6x30L 1PCS	M6 1PCS

PAGE 2



PAGE 3

