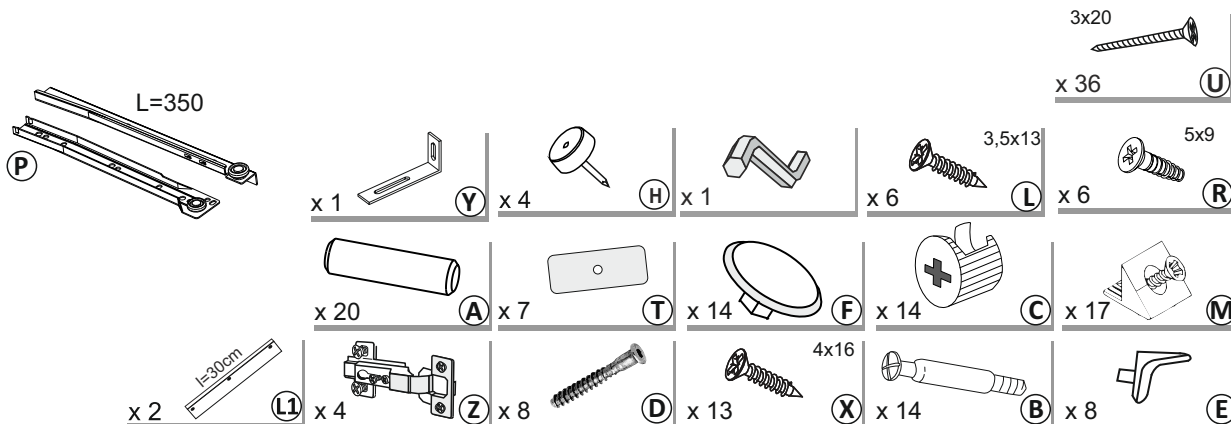
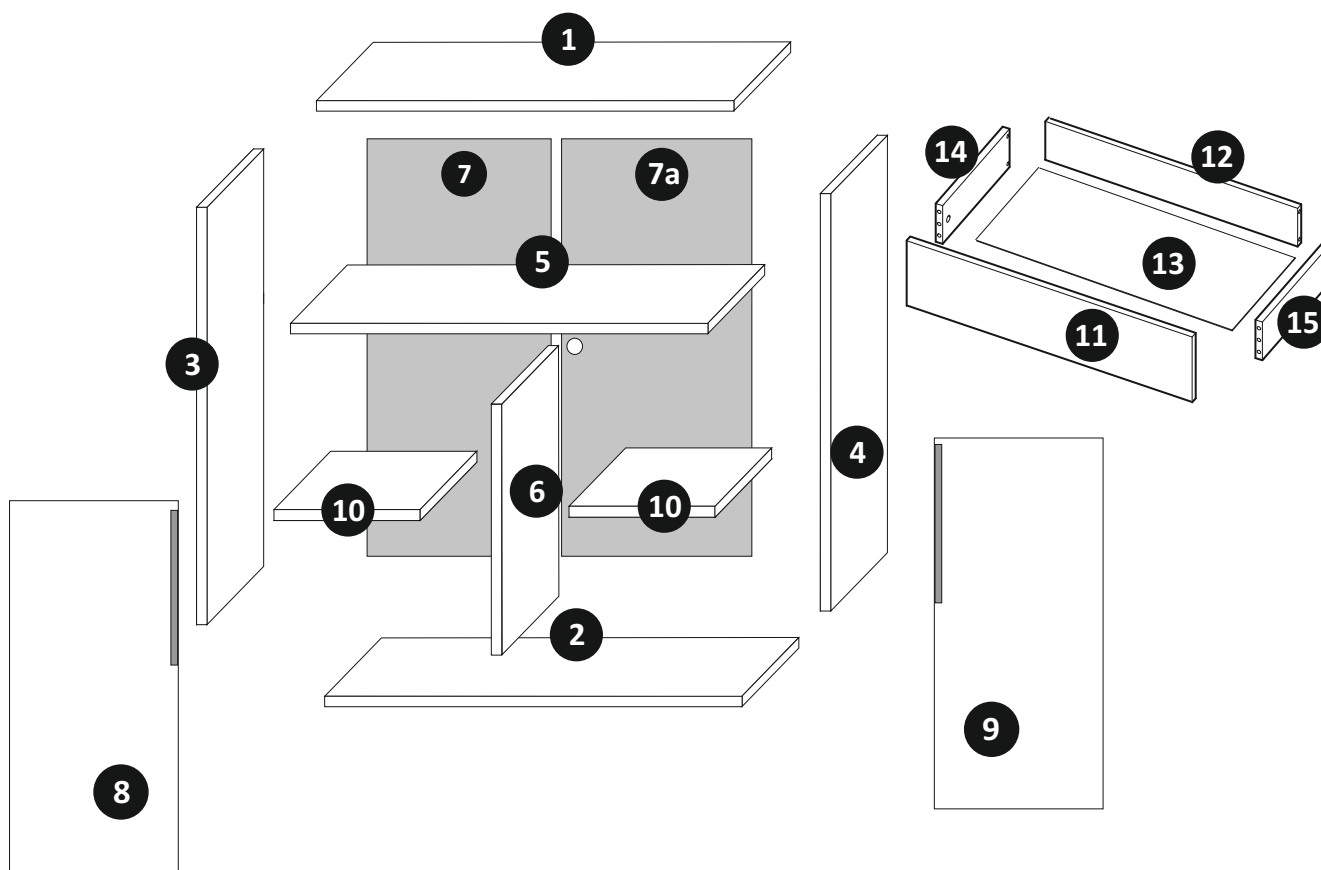
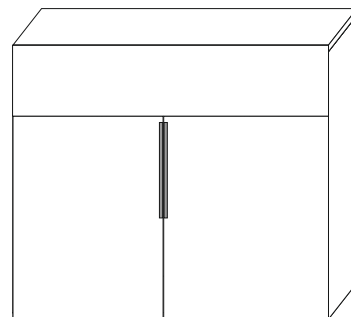
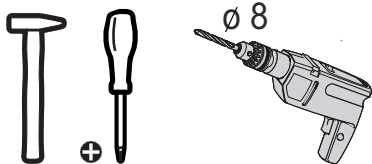
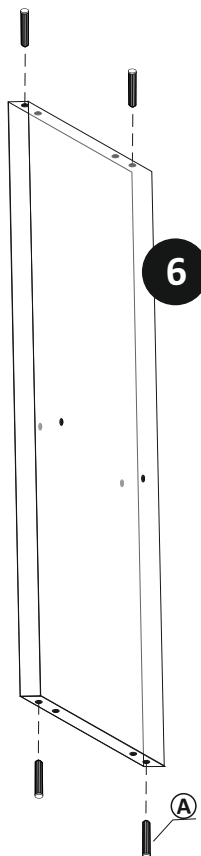
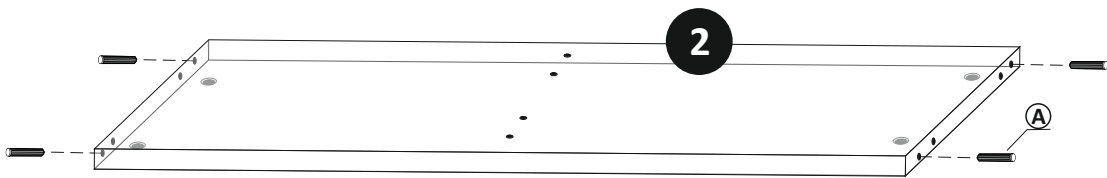
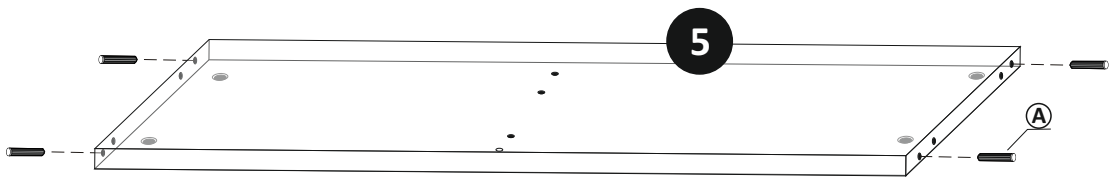
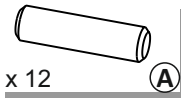


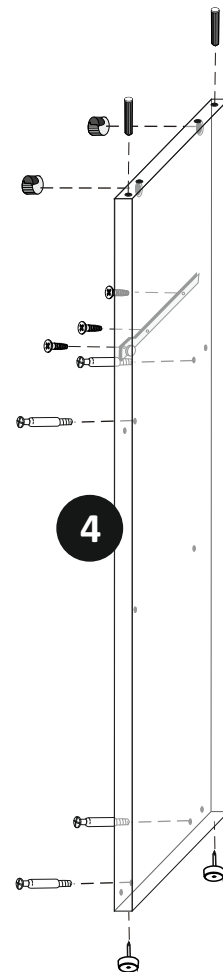
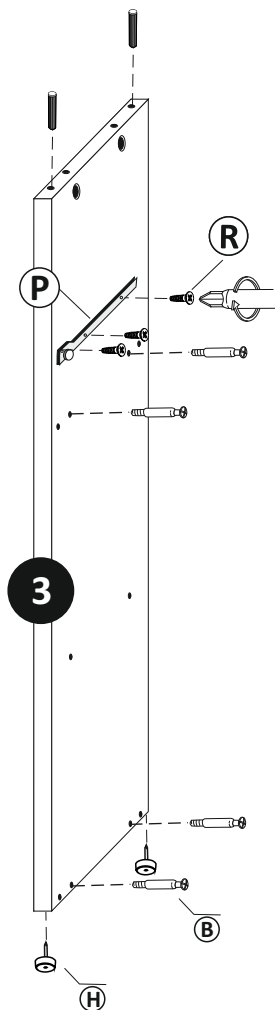
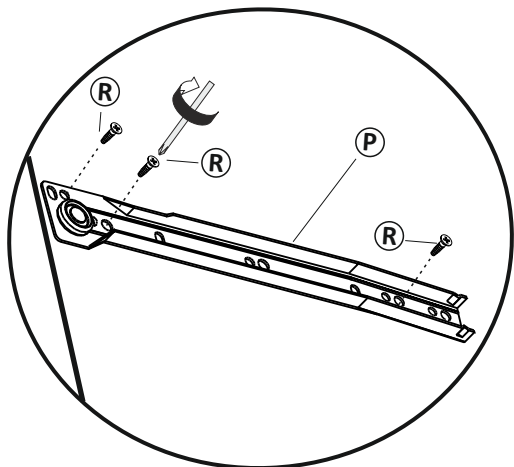
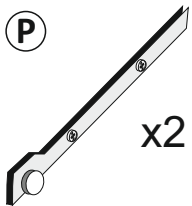
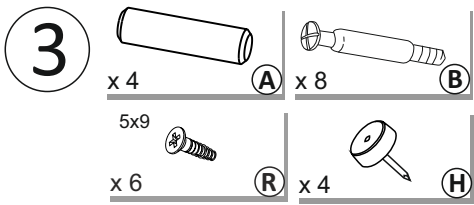
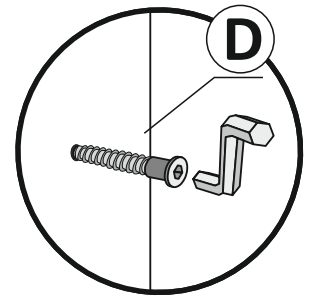
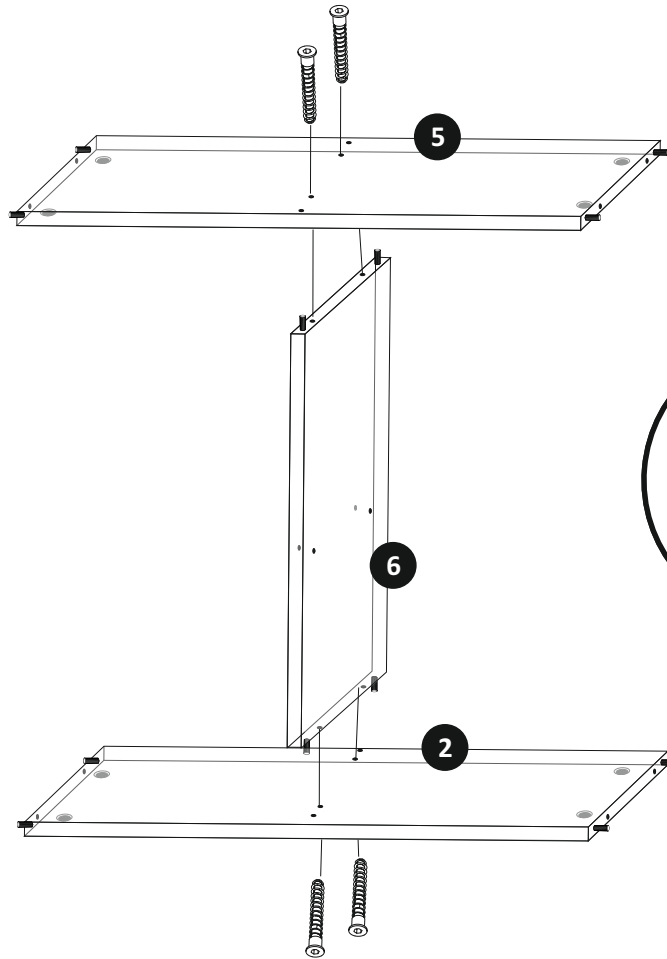
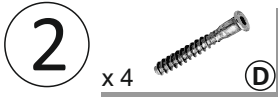
# KERKIN KOMODA 2D1SZ

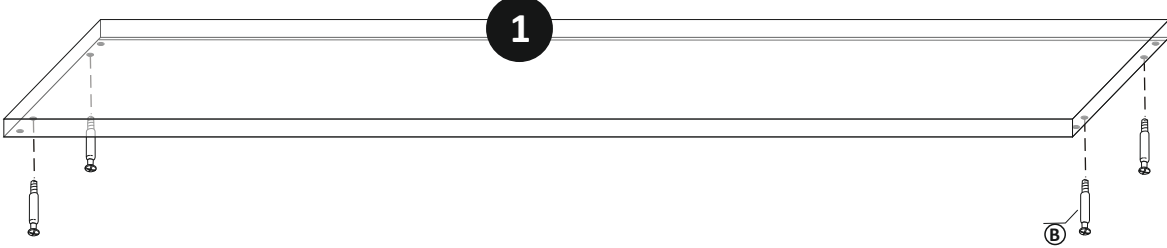
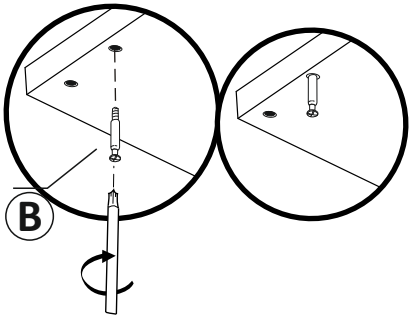
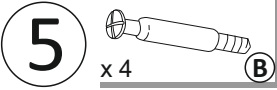
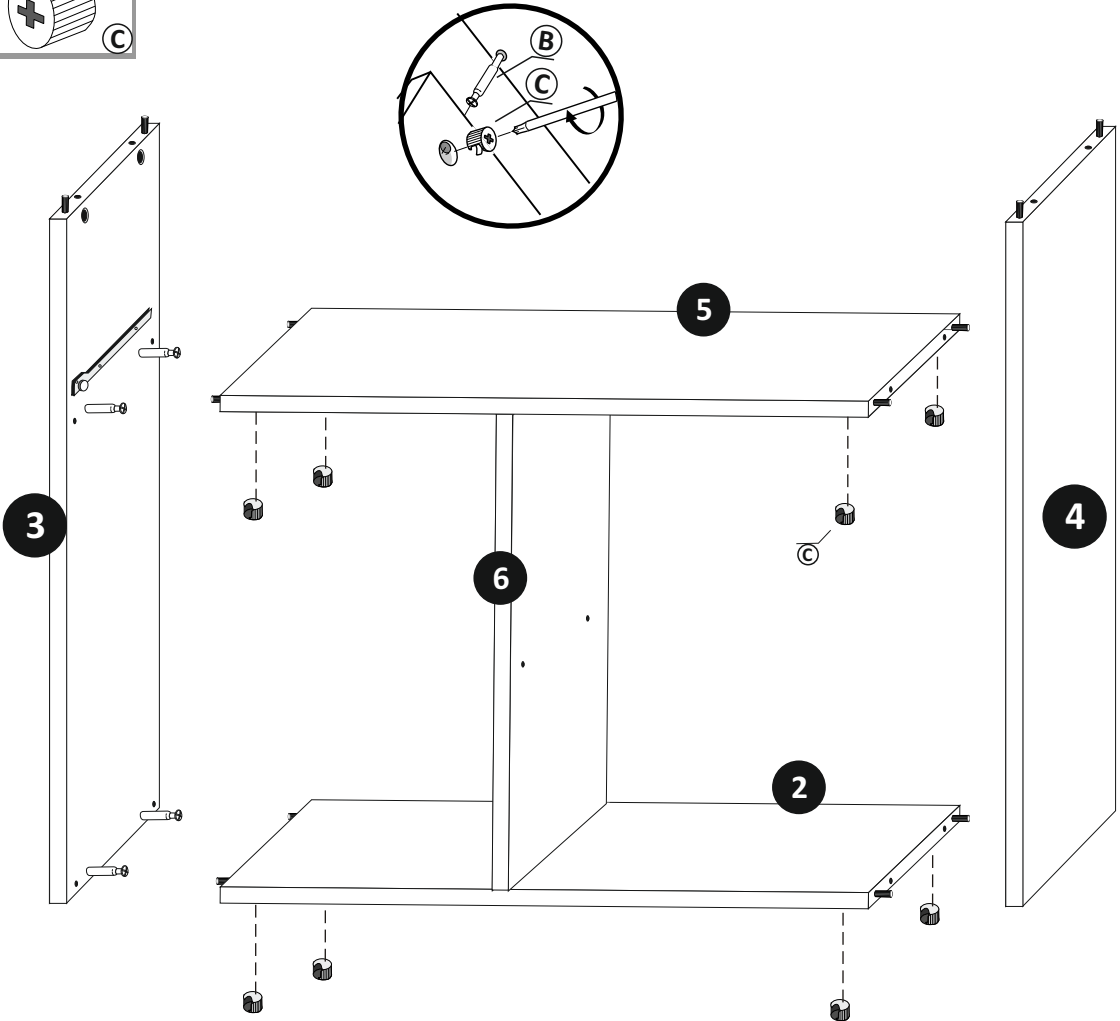
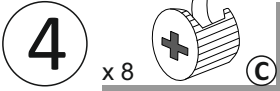


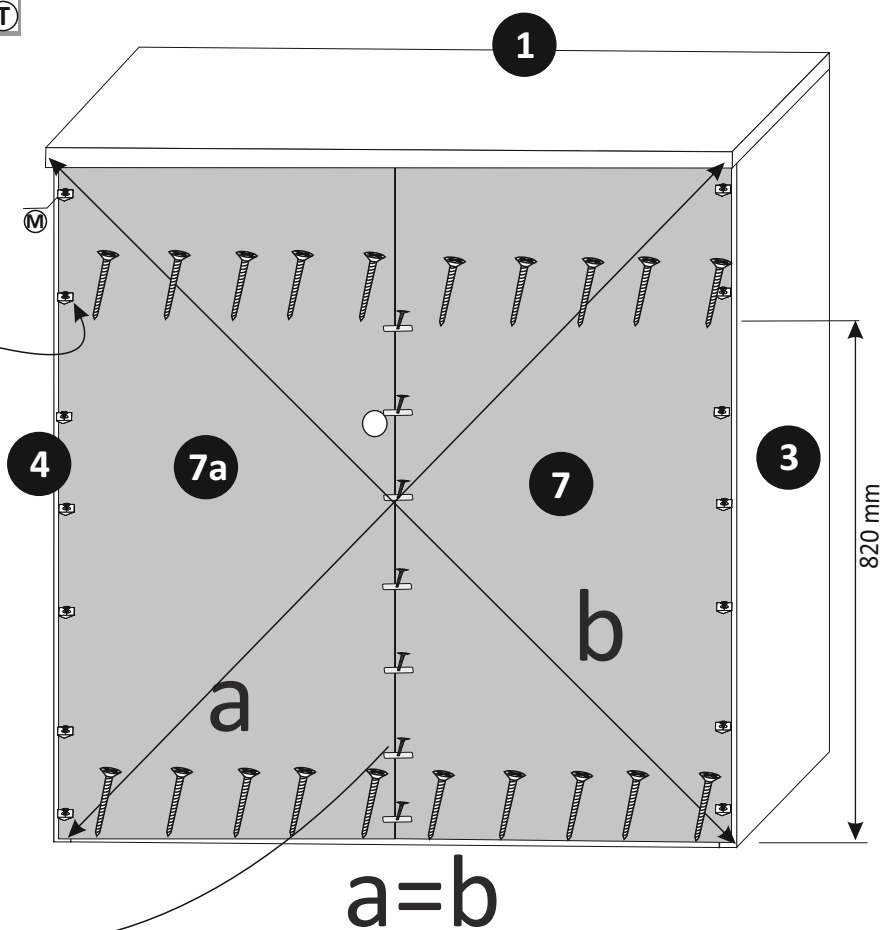
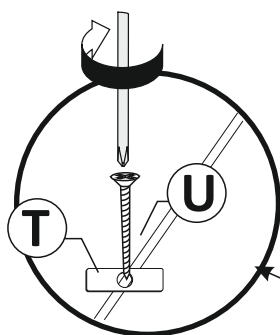
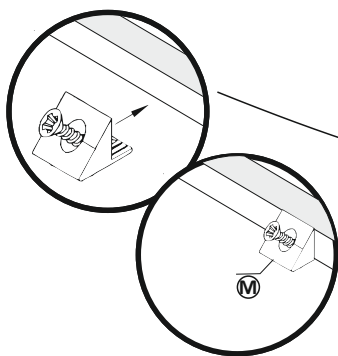
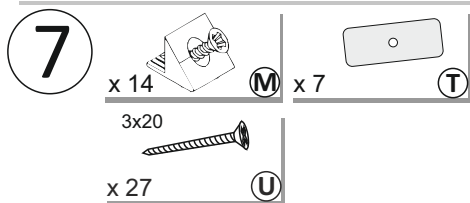
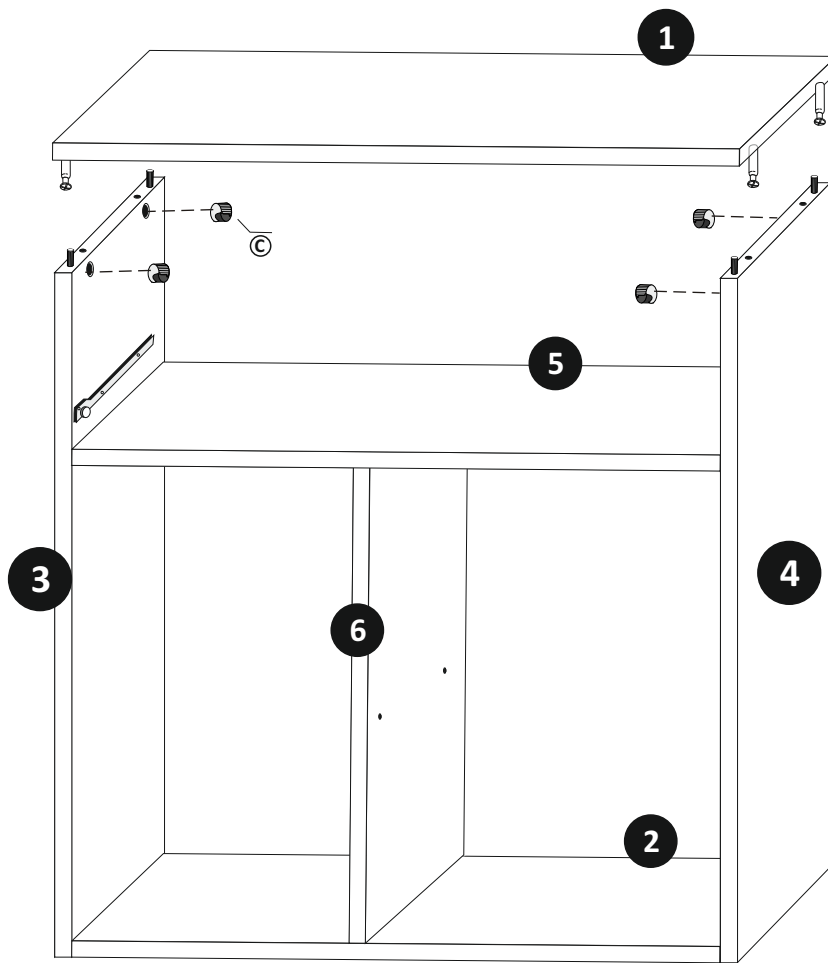
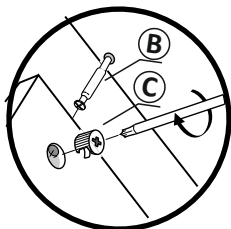
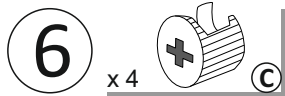


1

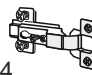
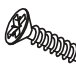

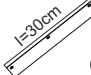


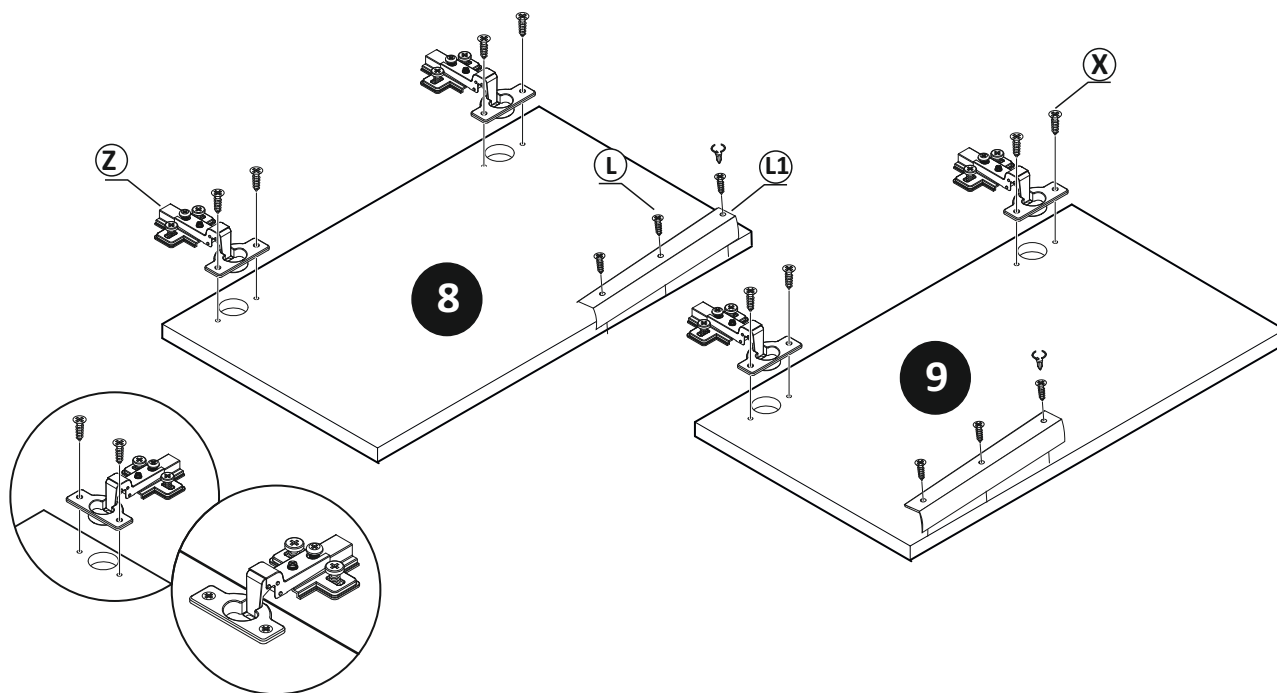





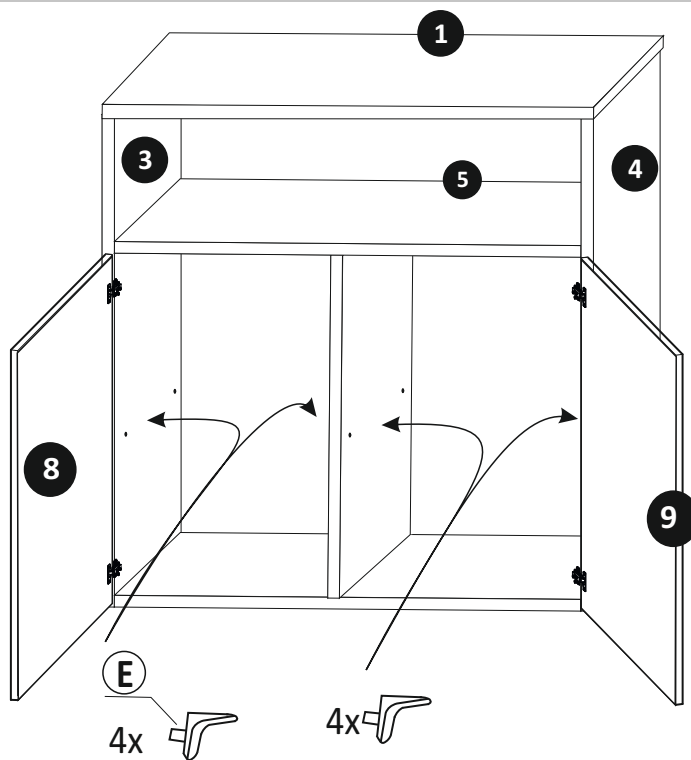
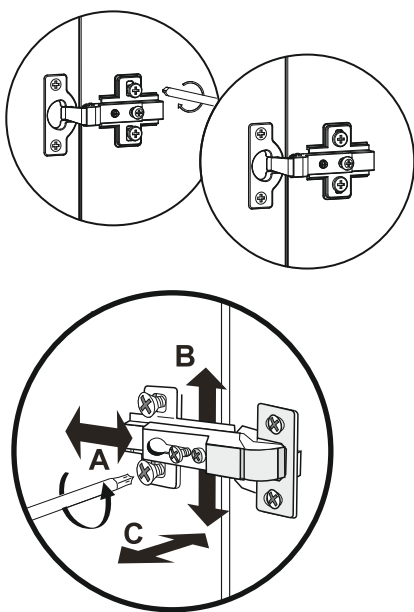


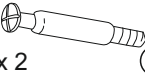
$a=b$

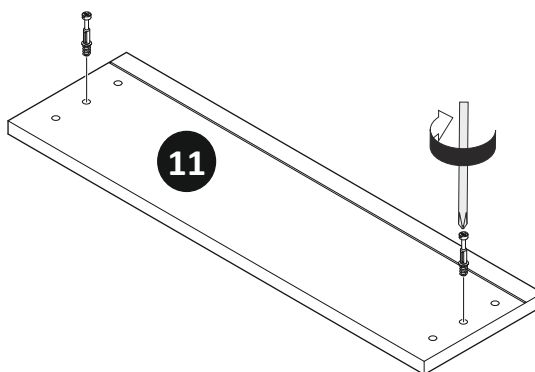
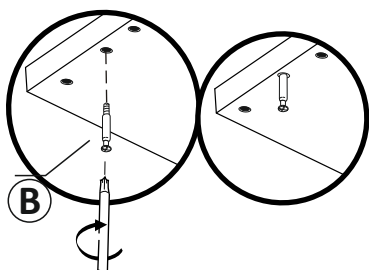
- 8 x 4  (Z)
- x 8  (X) 4x16
- x 6  (L) 3,5x13
- x 2  (L1) l=30cm

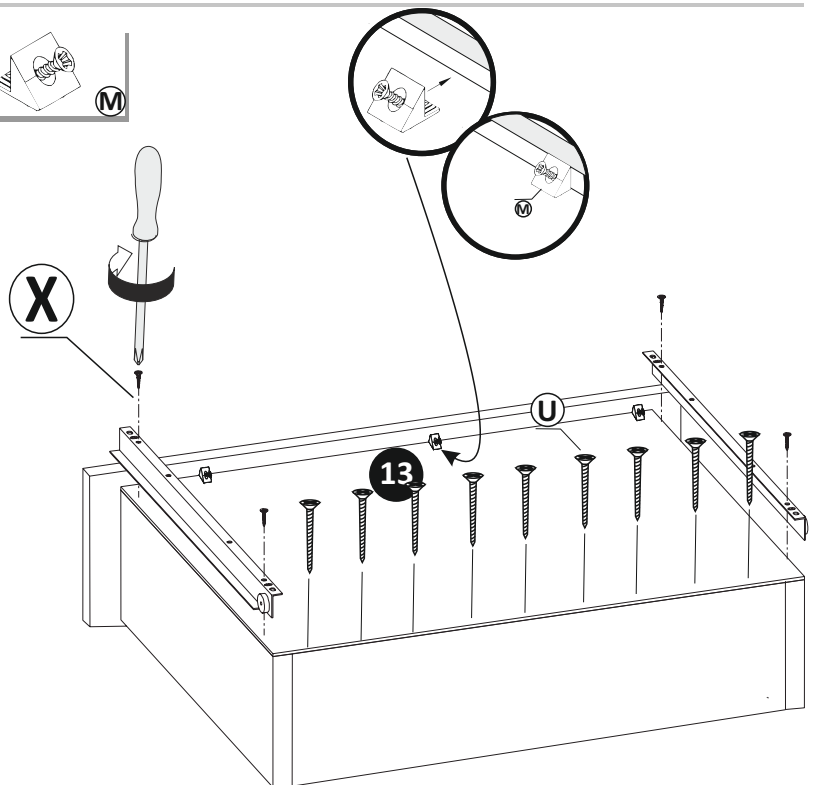
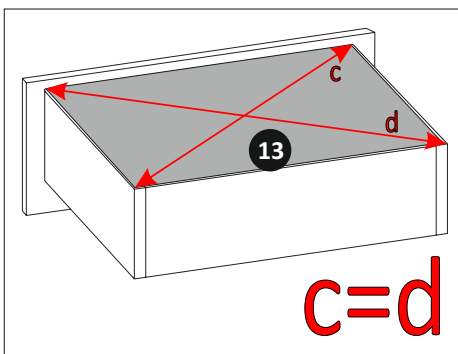
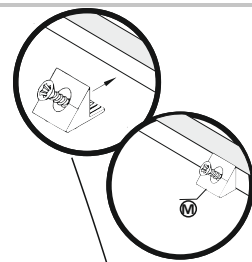
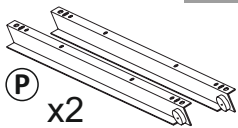
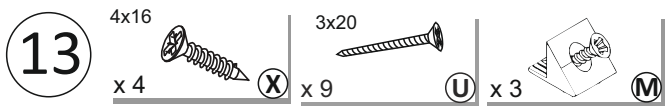
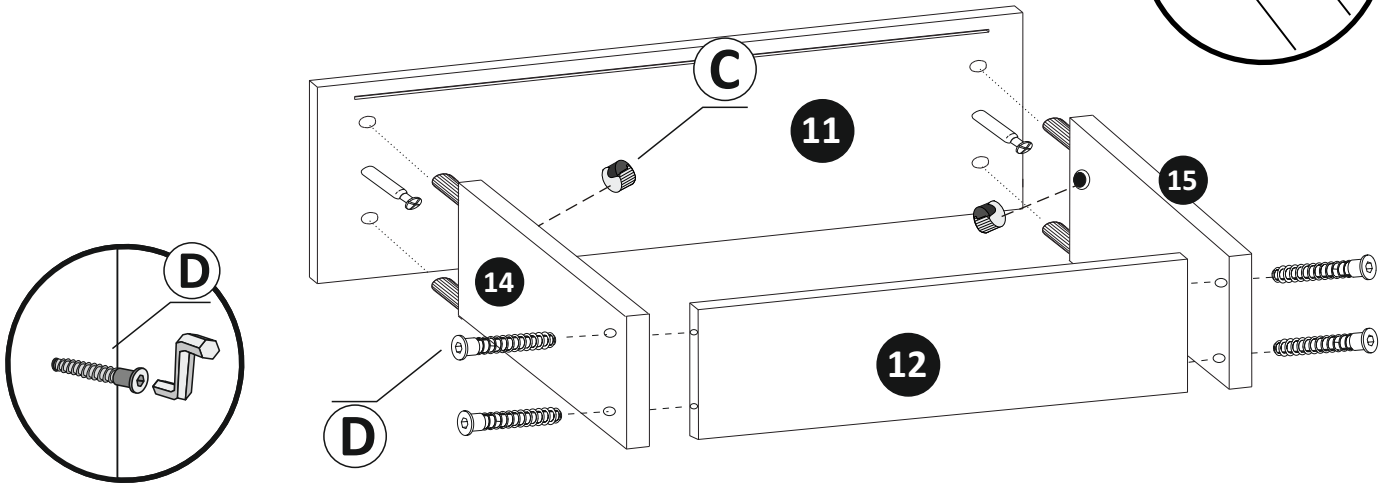
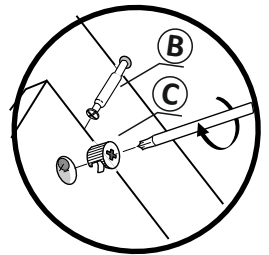
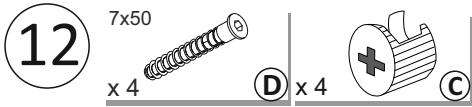
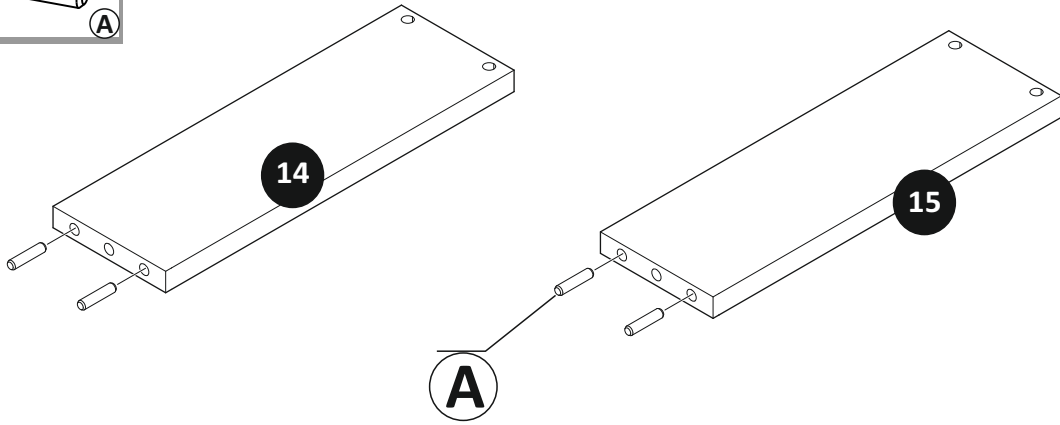
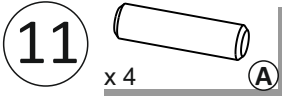


- 9 x 8  (E)

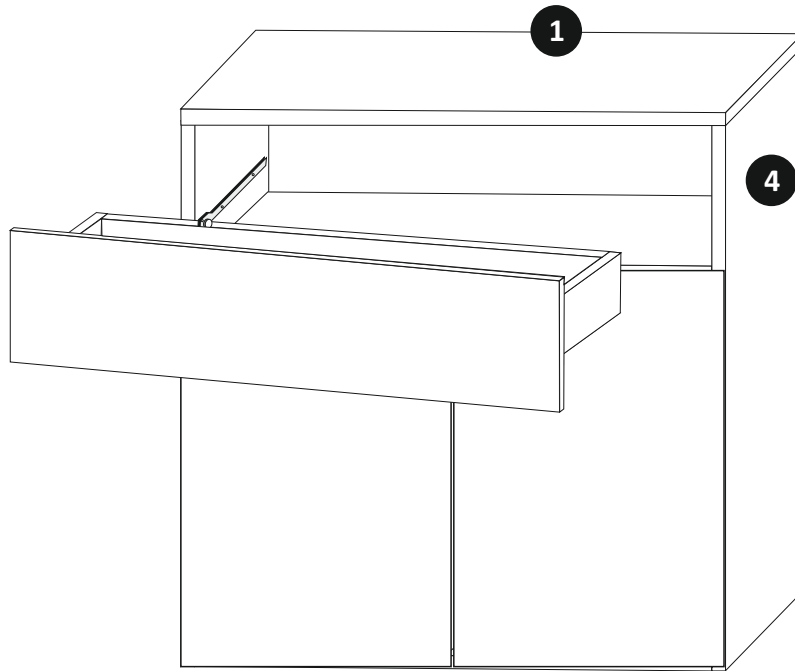


- 10 x 2  (B)





14



15

