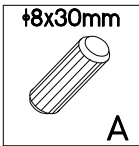
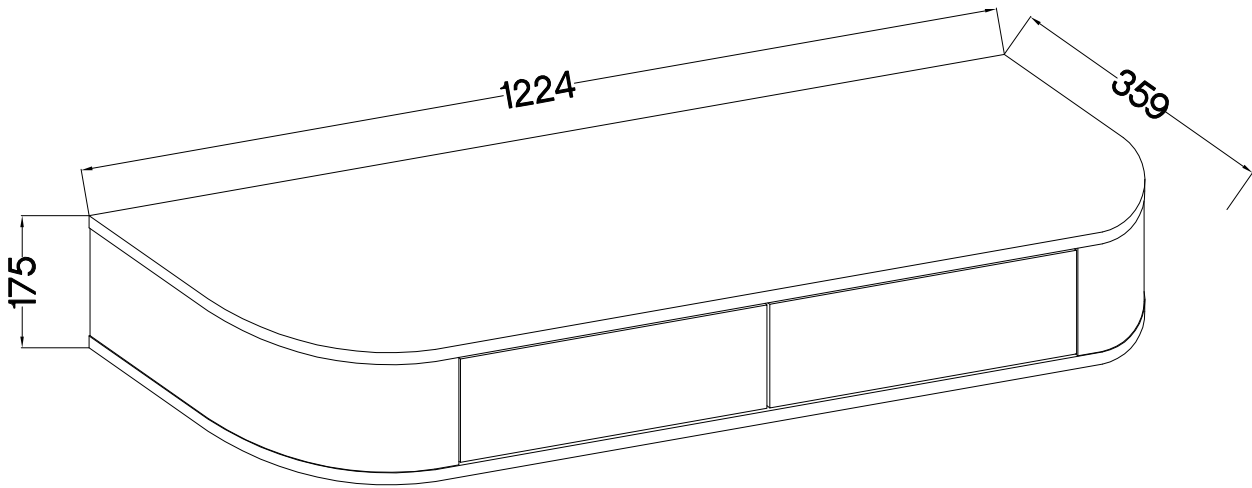
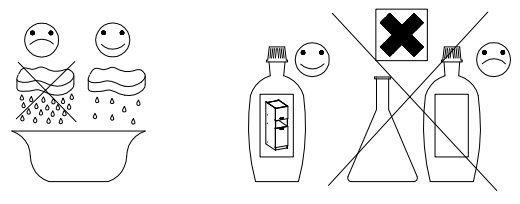


TYP 202



A

64

6,4 x 50mm

6x42mm

15/12mm

12/10mm

L=20mm

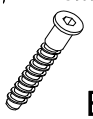
L=300mm

20/8mm

L

R

L



B



B2



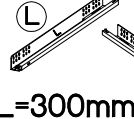
C



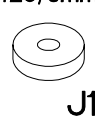
C5



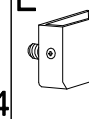
D2



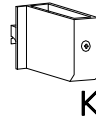
I14



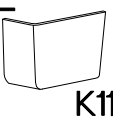
J14



K9



K10



K11

2

4

16

4

20

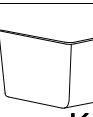
2

8

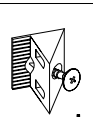
1

1

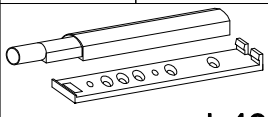
1



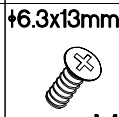
K12



L



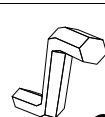
L46



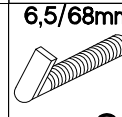
M2



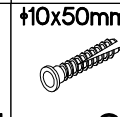
M3



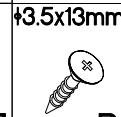
O



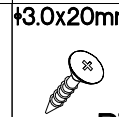
O4



O7



P5



P7

1

12

2

8

8

1

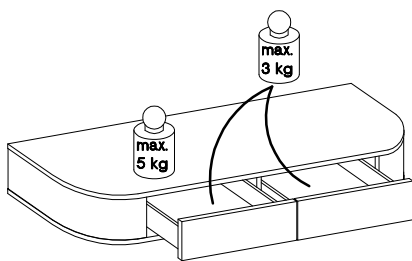
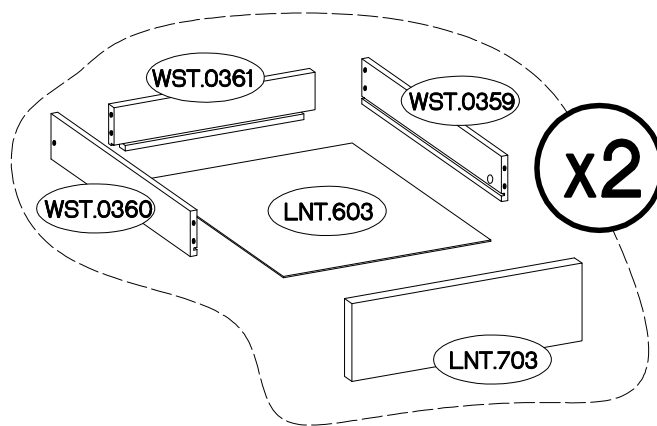
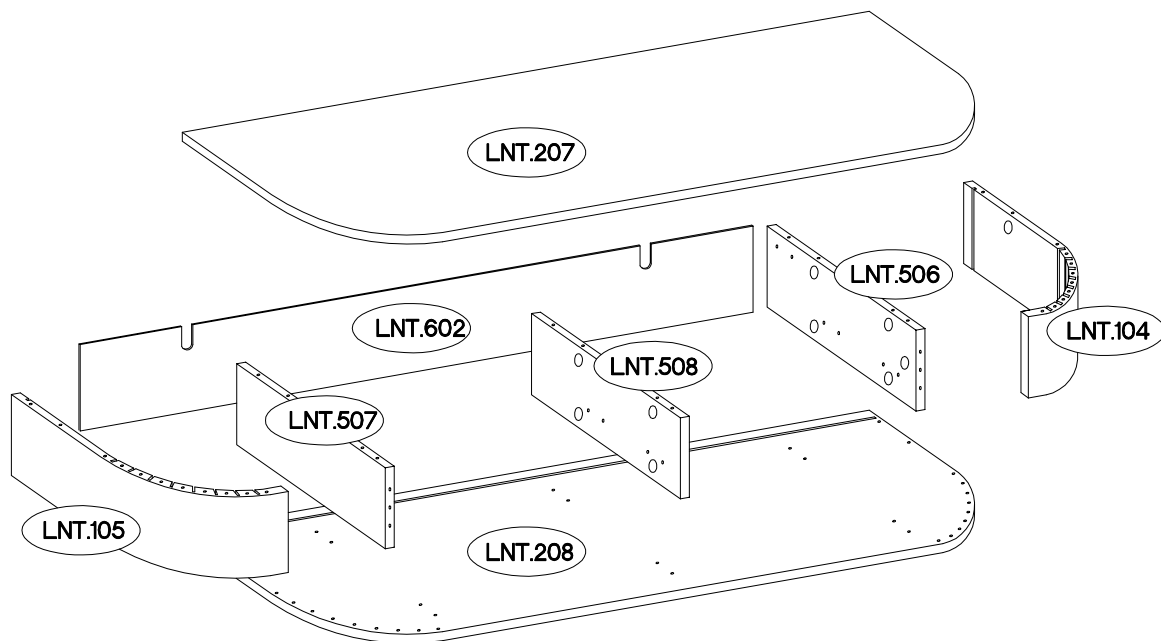
2

2

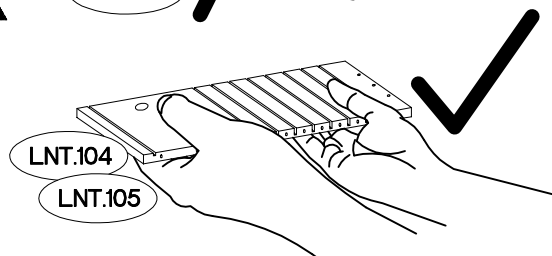
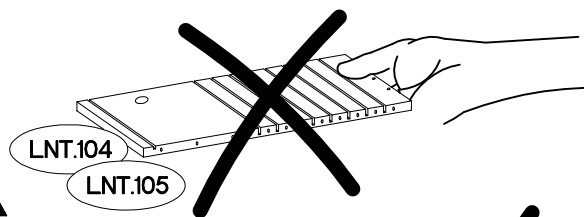
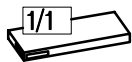
4

4


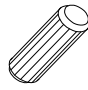
ISM-LNT-006

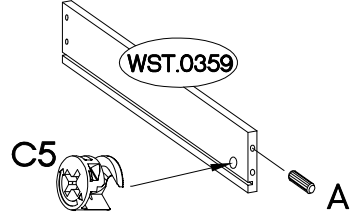
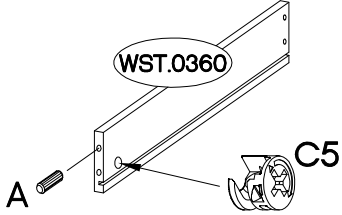
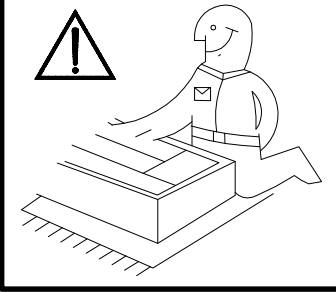
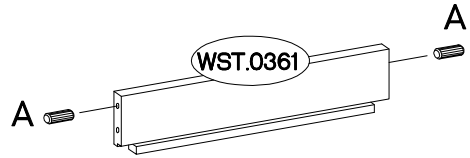


	Ersatzteil Nummer	Dimension
	LNT.207	1224x359x16
	LNT.208	1224x359x16
	LNT.506	143x320x16
	LNT.507	143x320x16
	LNT.508	143x317x16
	LNT.602	152x1199x2,5
	LNT.603 x2	371x298x2,5
	WST.0359 x2	300x80x12
	WST.0360 x2	300x80x12
	WST.0361 x2	360x80x12
	LNT.703 x2	137x412x16
	LNT.104	143x483x16
	LNT.105	143x483x16

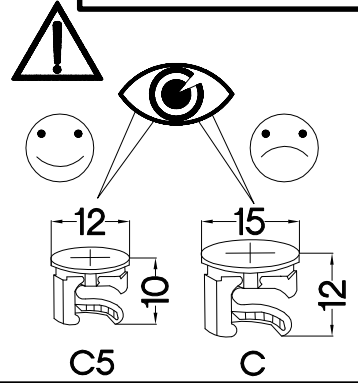


1


+12/10mm  C5 4	+8x30mm  A 8
---	---

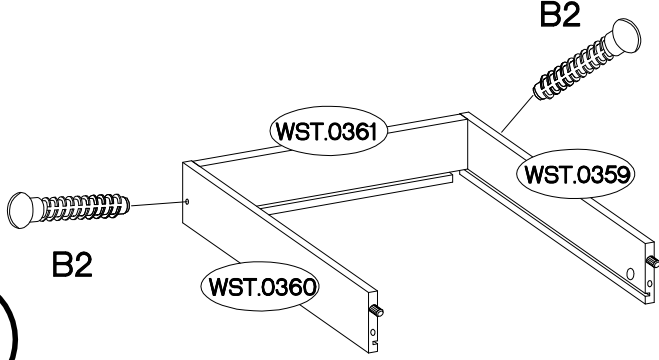
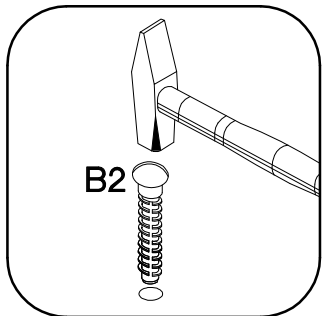
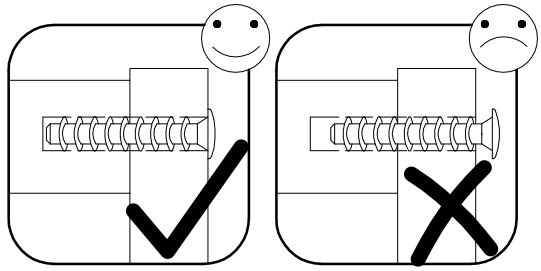
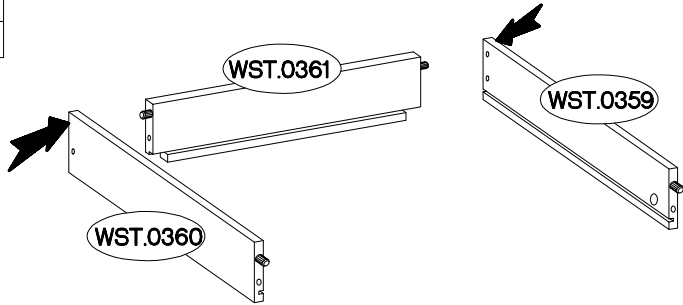


x2




2

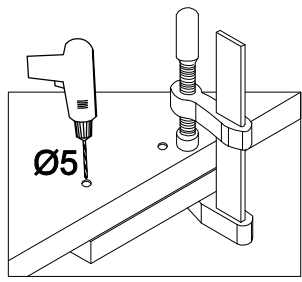
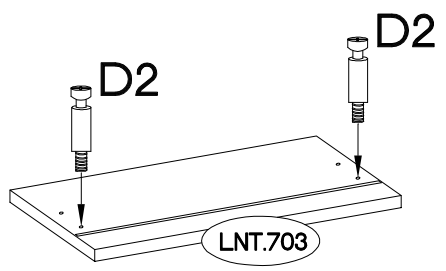
+6x42mm  B2 4



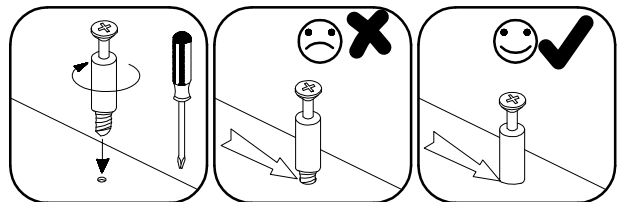
x2

3

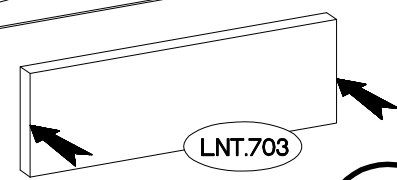
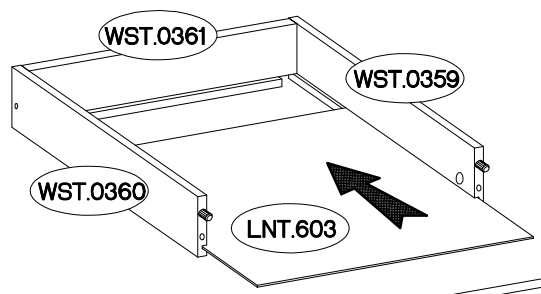
L=20mm  D2 4
--



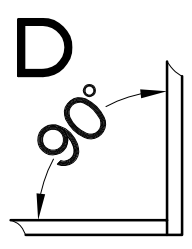
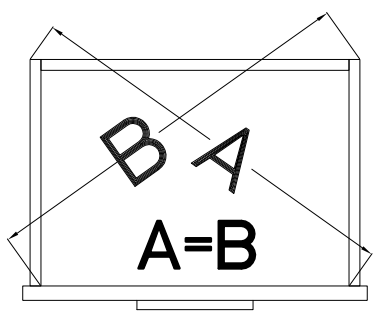
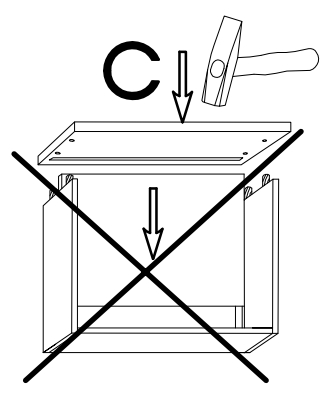
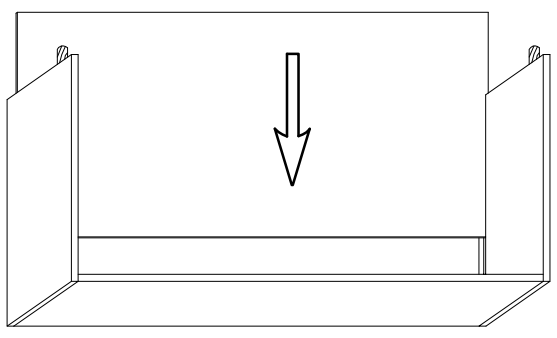
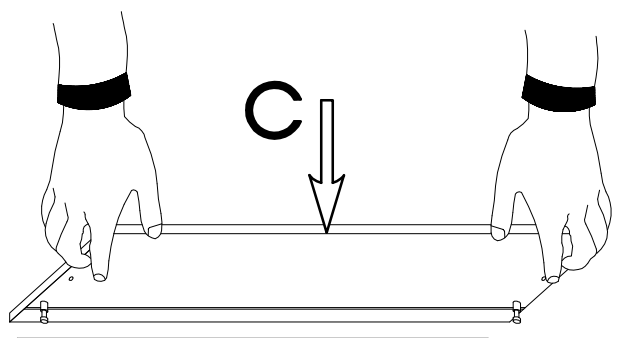
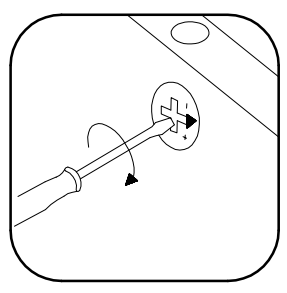
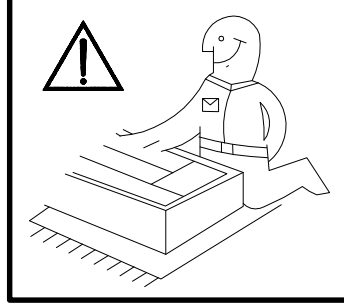
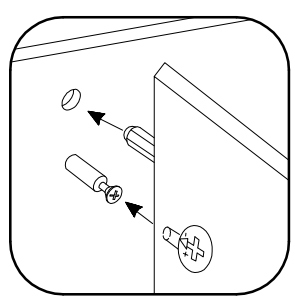
x2



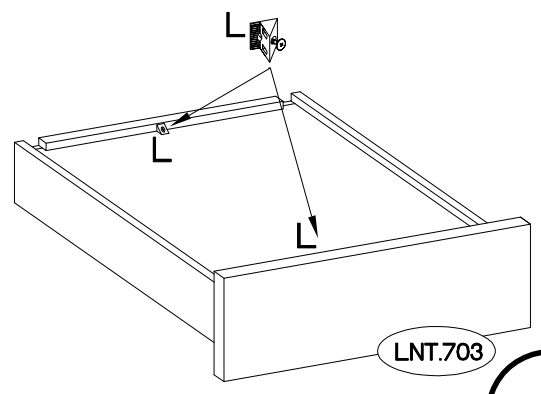
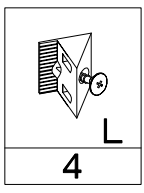
4



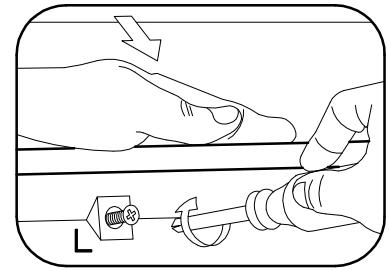
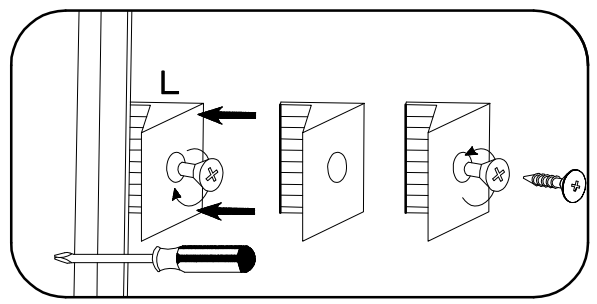
x2

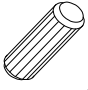


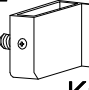
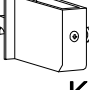


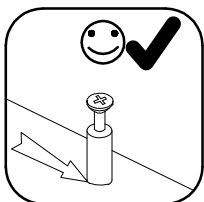
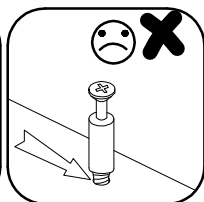
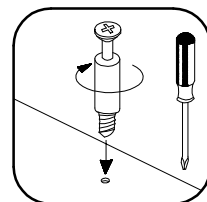
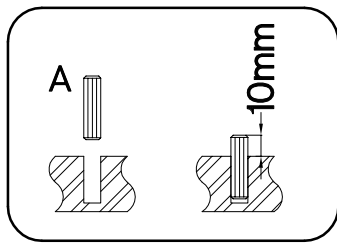
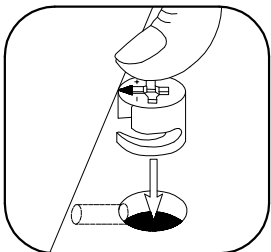
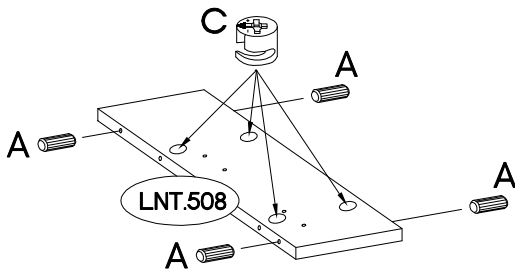
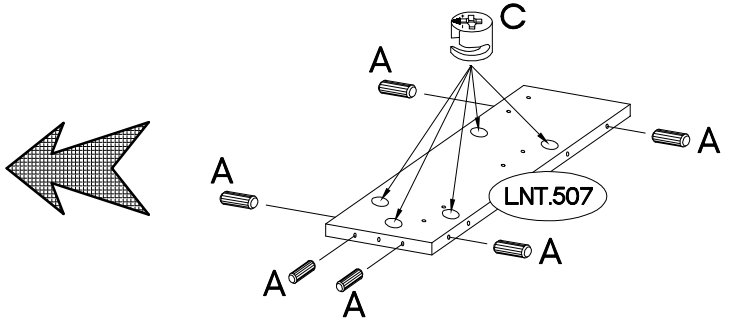
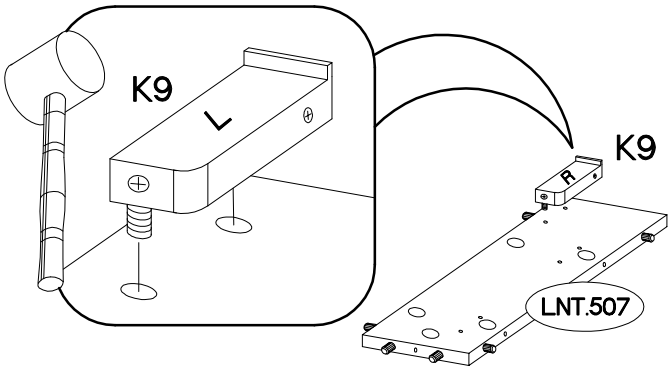
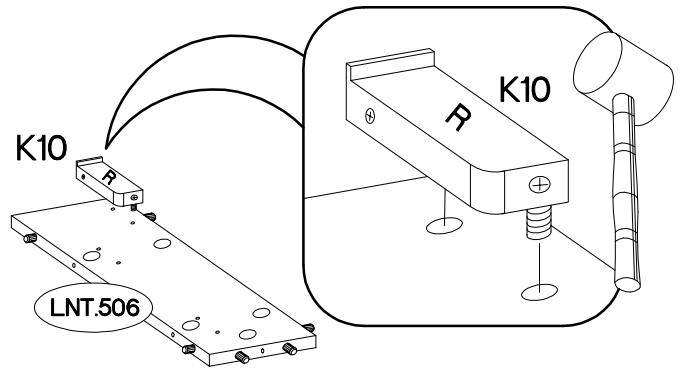
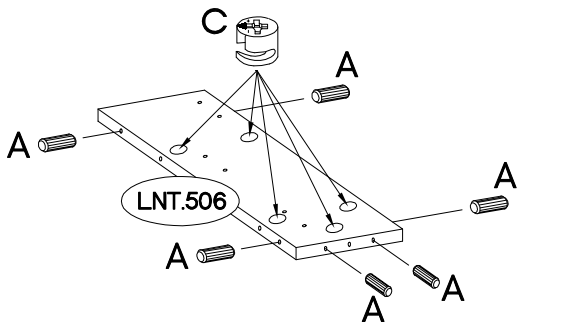
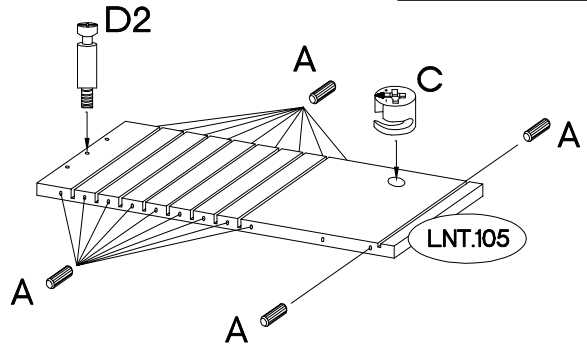
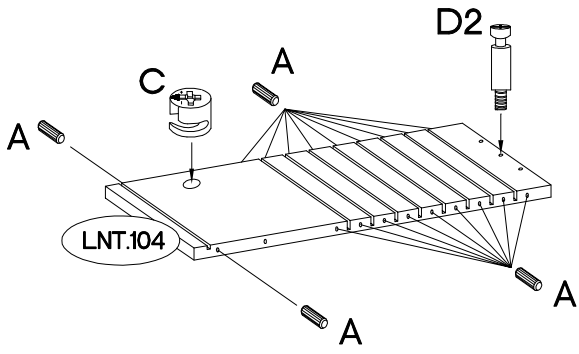
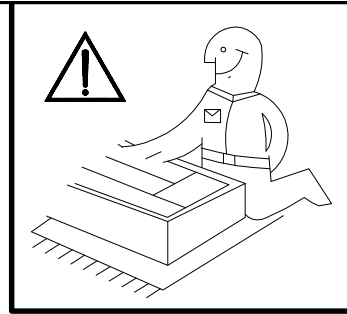
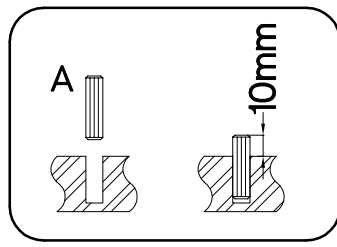
5




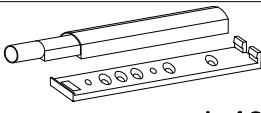

x2

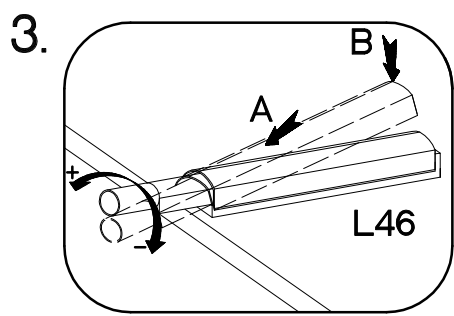
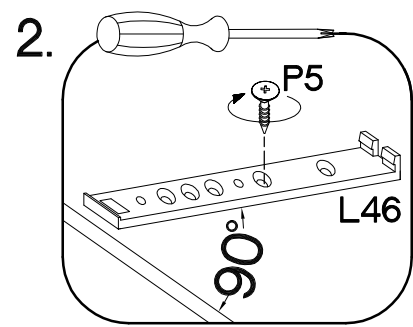
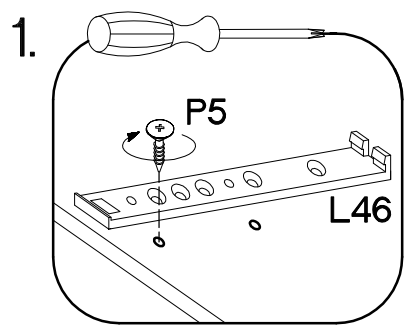
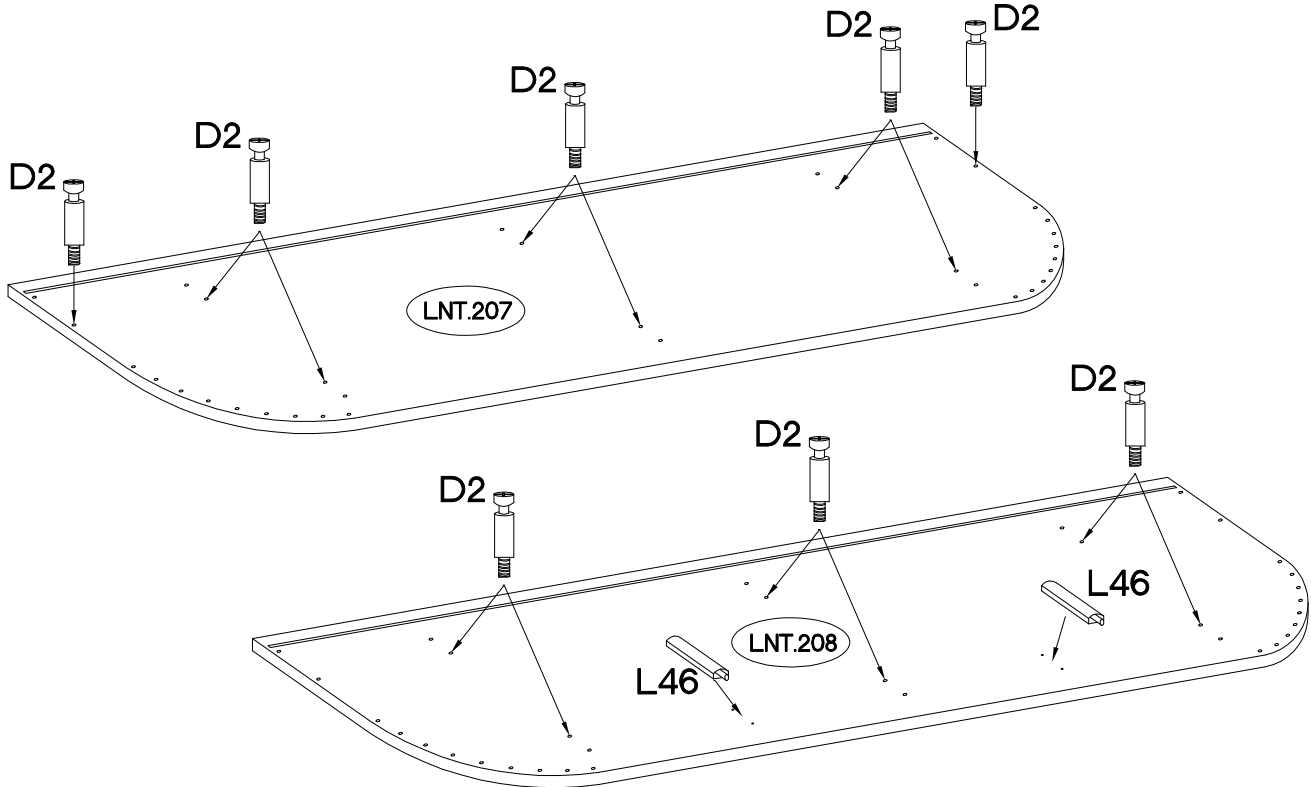
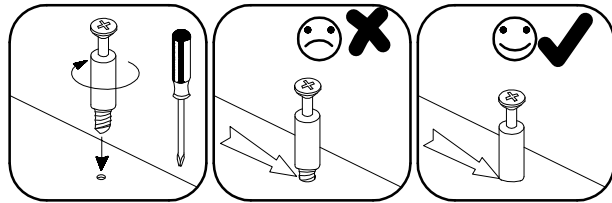


$\pm 8 \times 30 \text{mm}$  A 56	$\pm 15/12 \text{mm}$  C 16	$L=20 \text{mm}$  D2 2	L  K9 1	R  K10 1
--	--	---	--	---

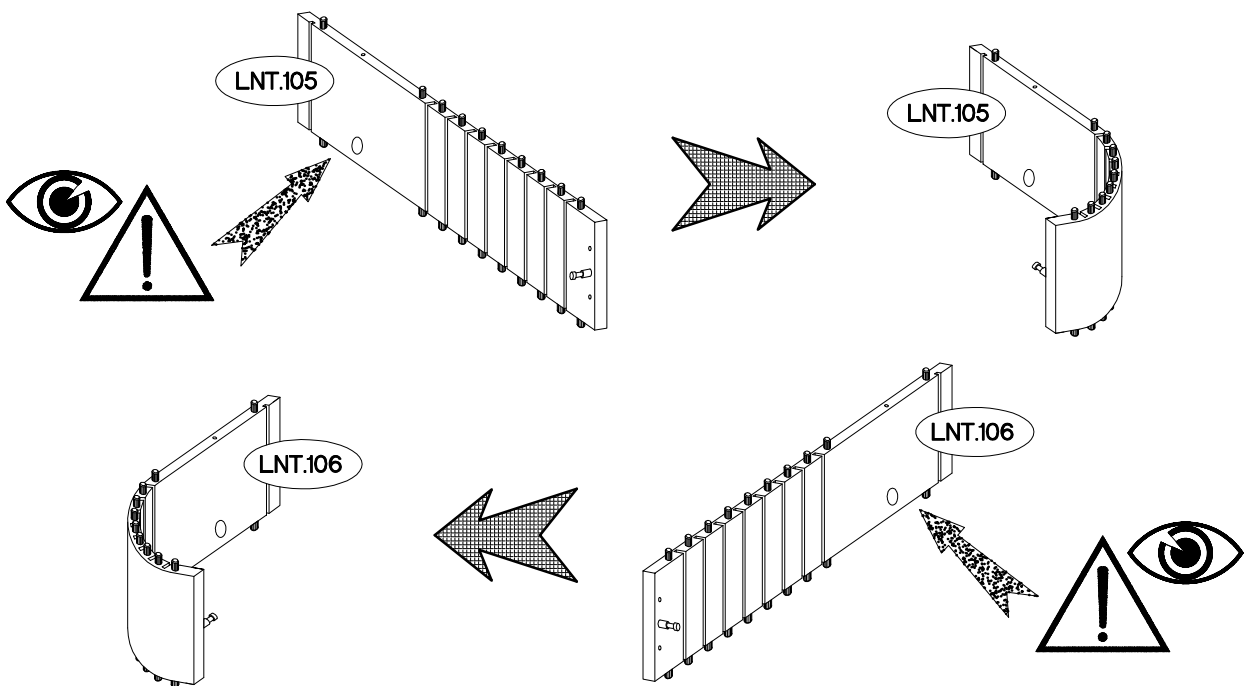


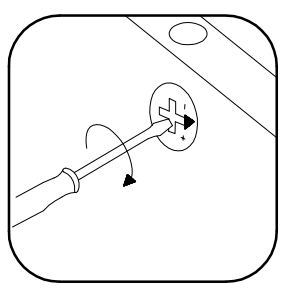
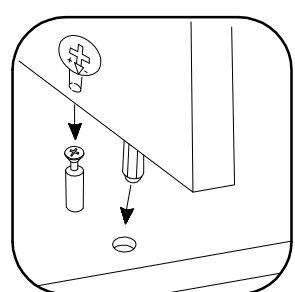
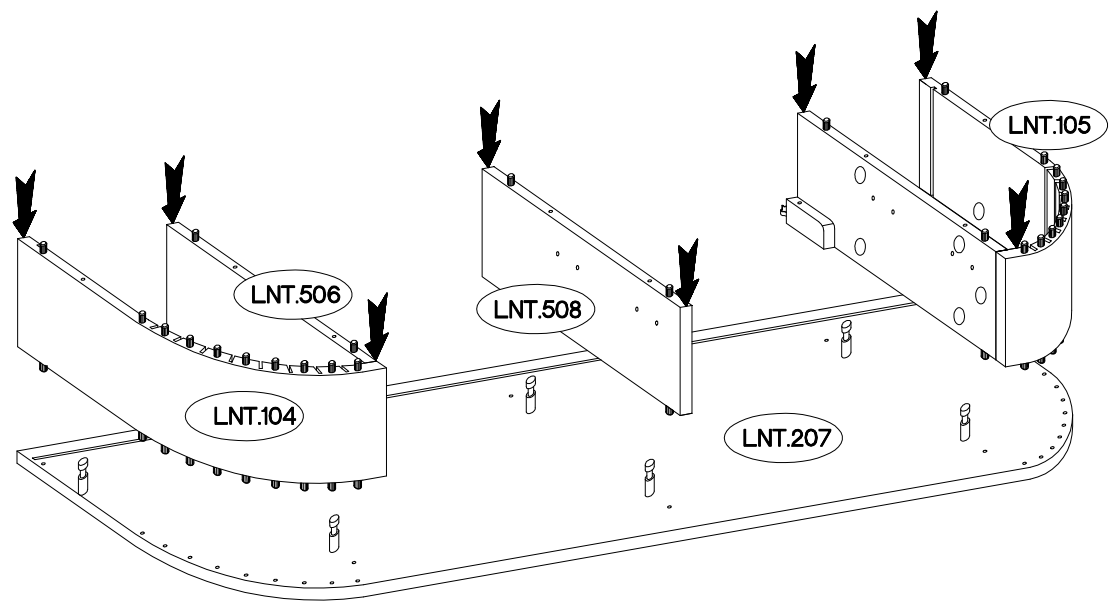
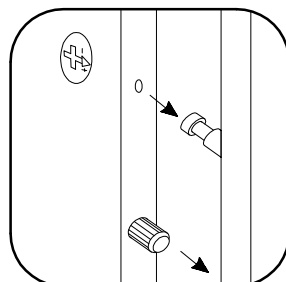
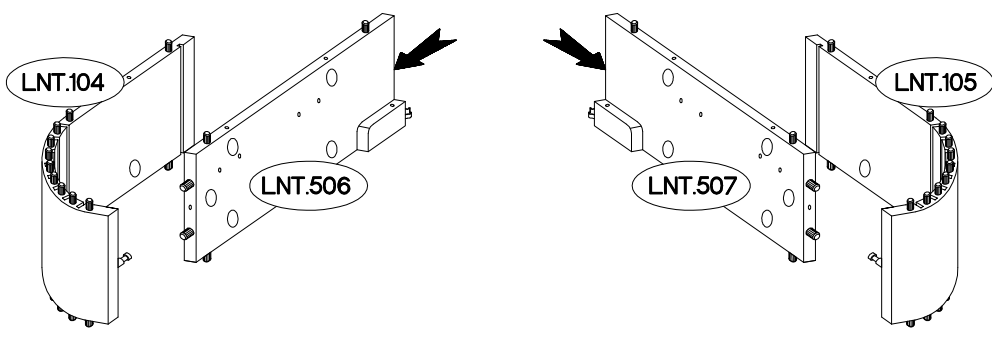
7

L=20mm  D2 14	 L46 2	±3.5x13mm  P5 4
--	--	--

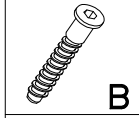


8



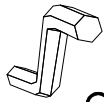


6,4 x 50mm



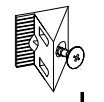
B

2



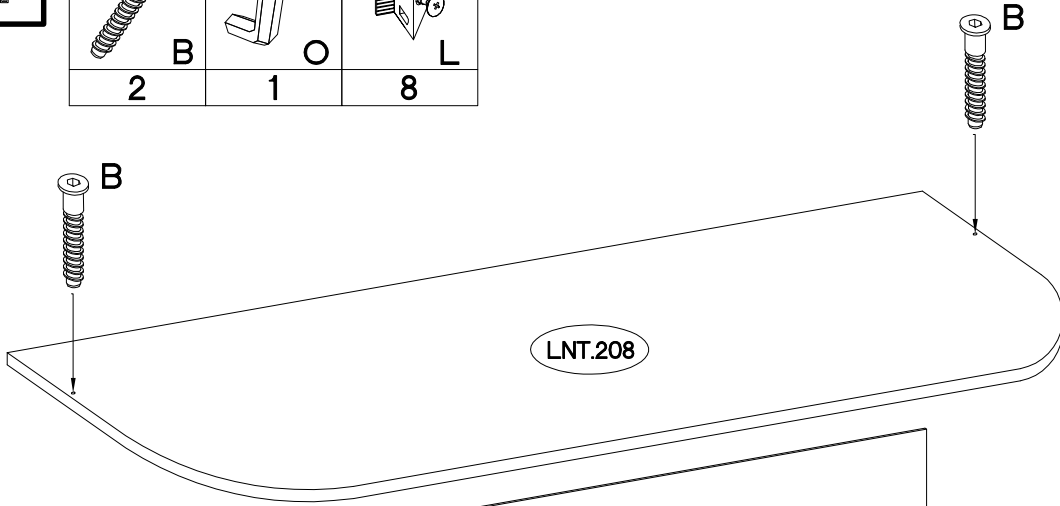
O

1

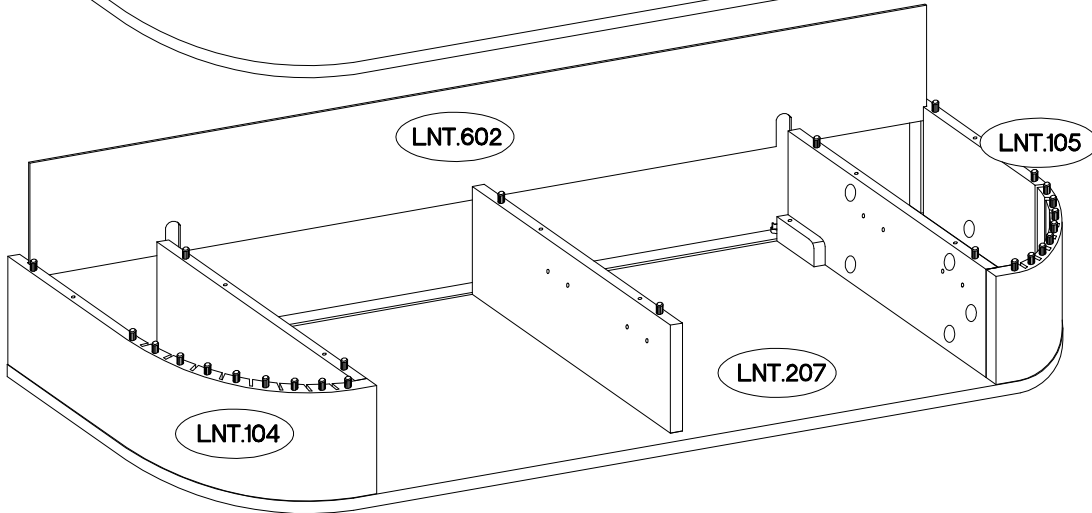


L

8



LNT.208

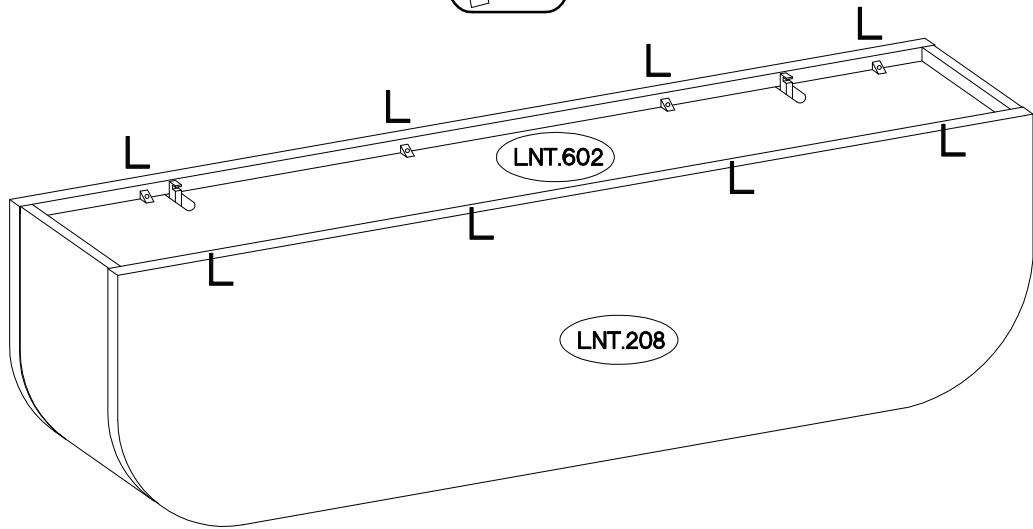
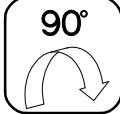
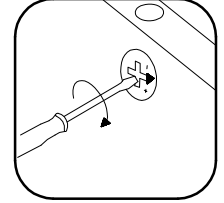
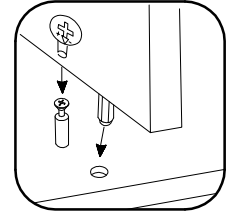
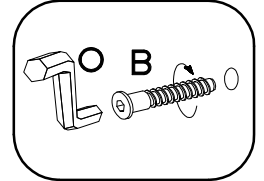
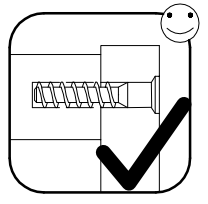
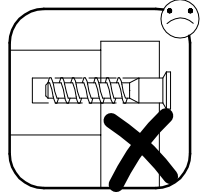


LNT.602

LNT.105

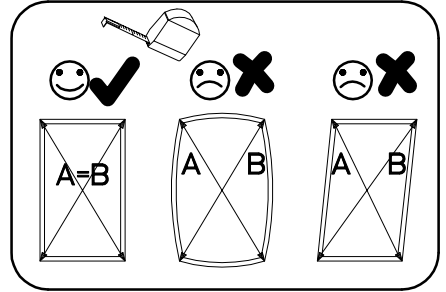
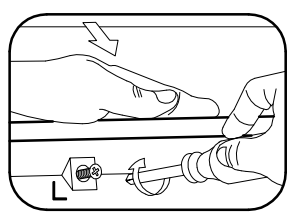
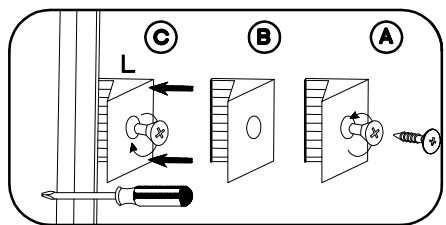
LNT.207




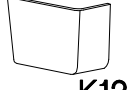
LNT.104

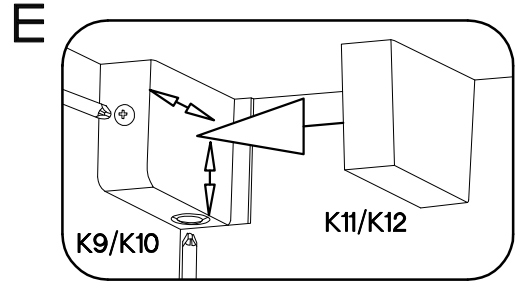
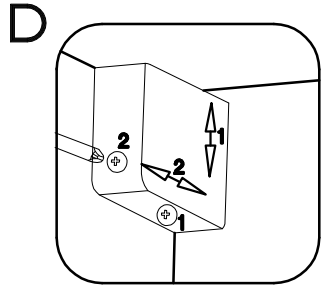
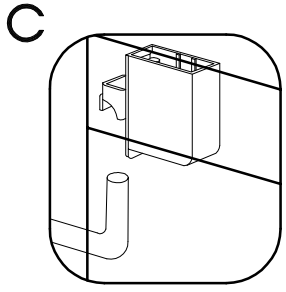
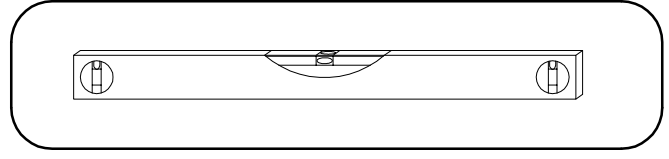
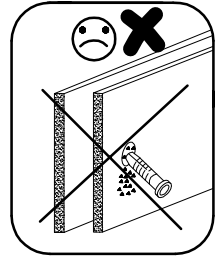
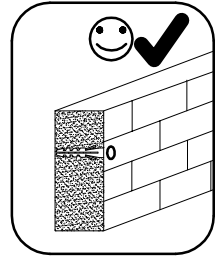
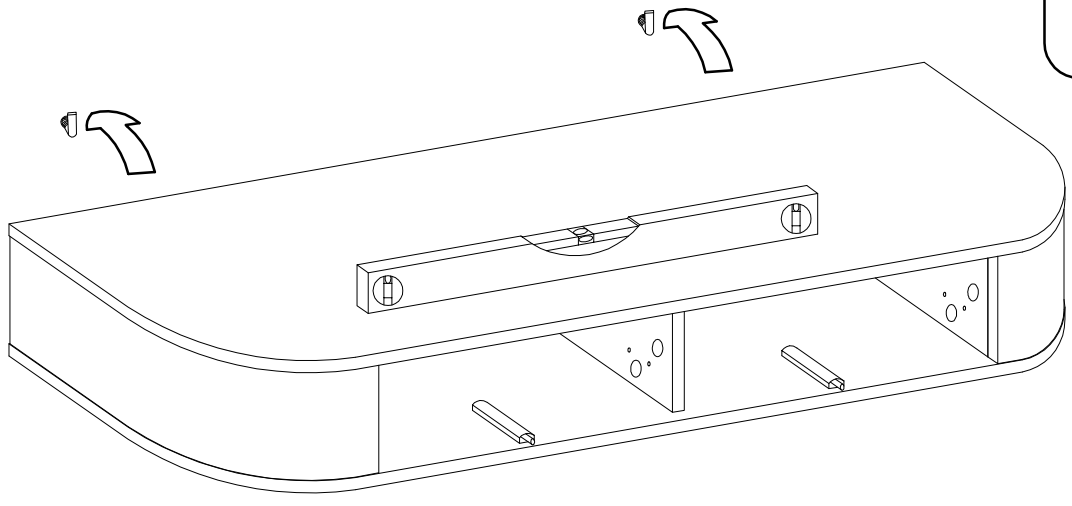
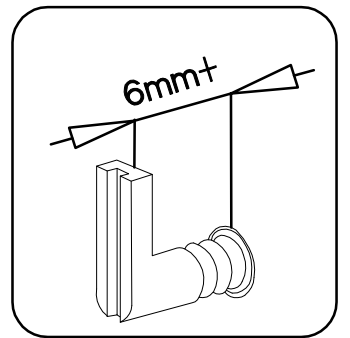
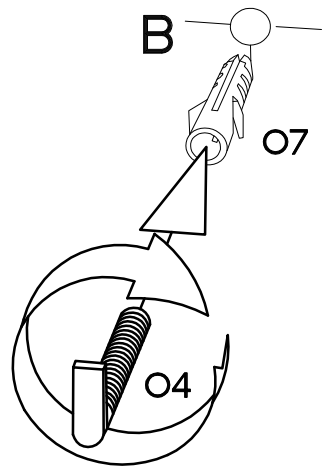
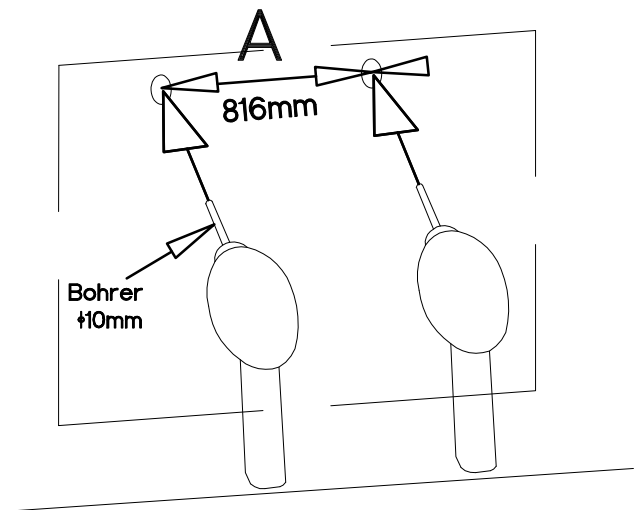


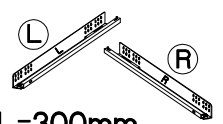
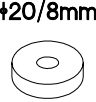


LNT.602

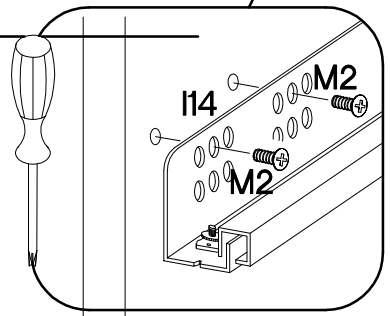
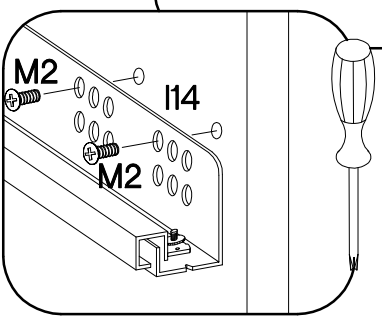
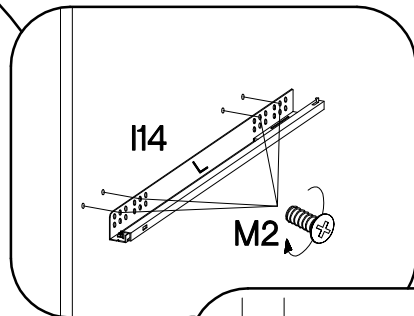
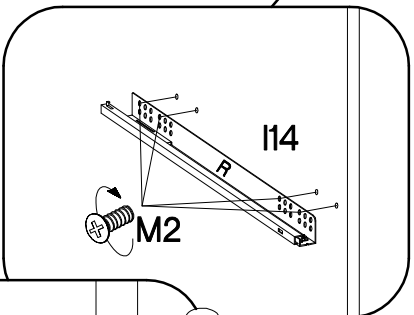
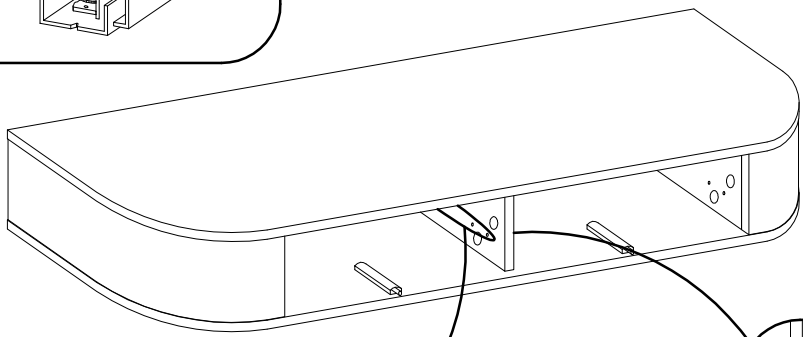
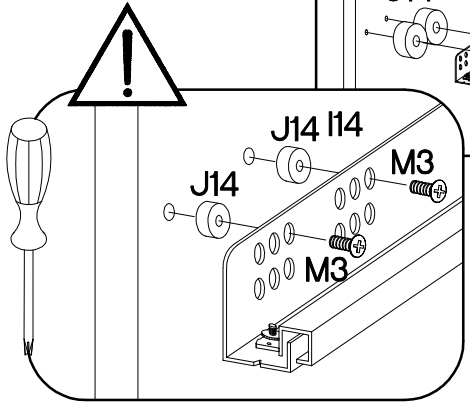
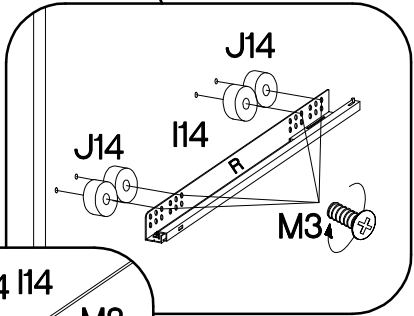
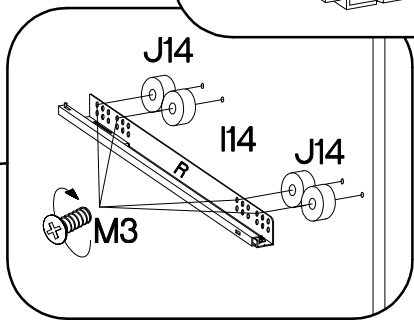
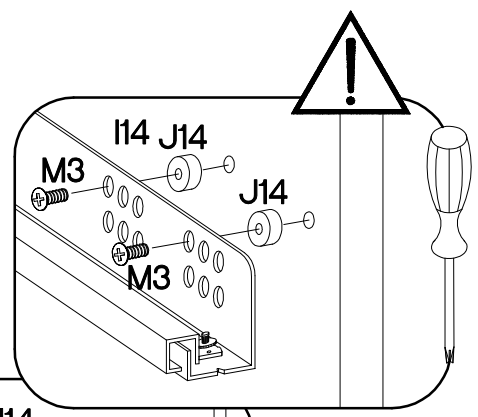
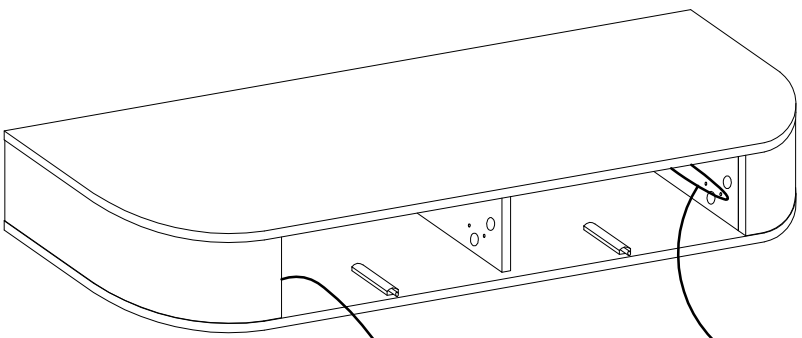
LNT.208




$\pm 10 \times 50 \text{mm}$  O7 2	$6,5/68 \text{mm}$  O4 2	L  K11 1	R  K12 1
---	---	---	---



 L=300mm 2	 +20/8mm 8	 +6.3x13mm 8	 +6.3x20mm 8
--	--	--	--



±3.0x20mm
 P7
4

