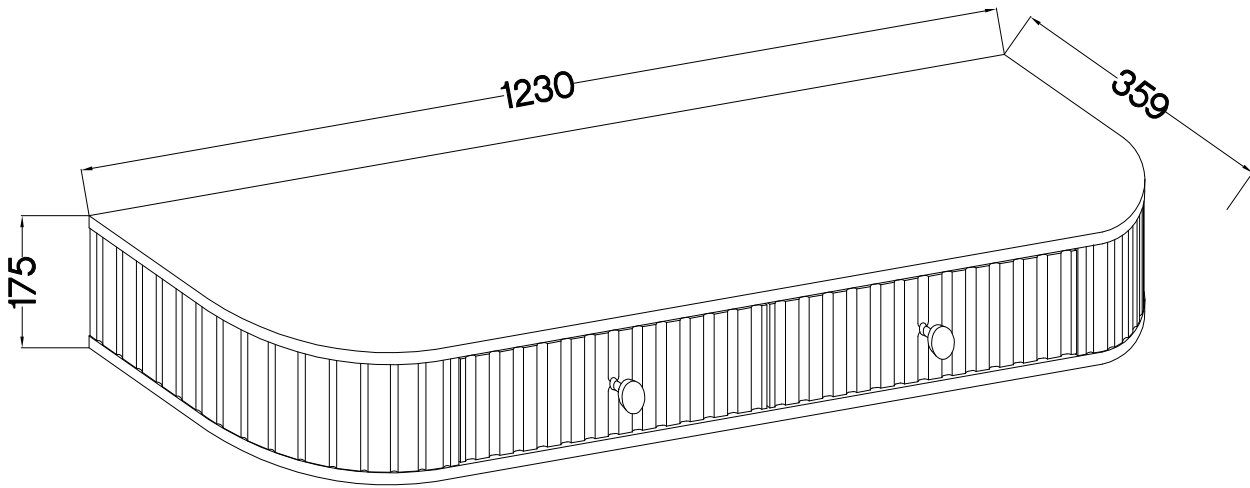
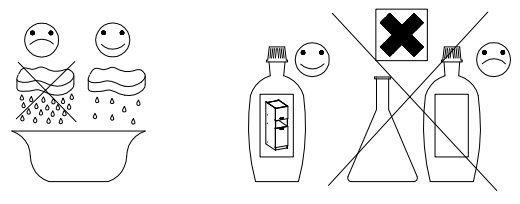
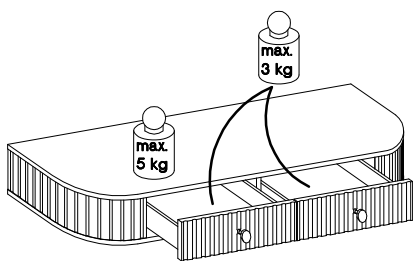
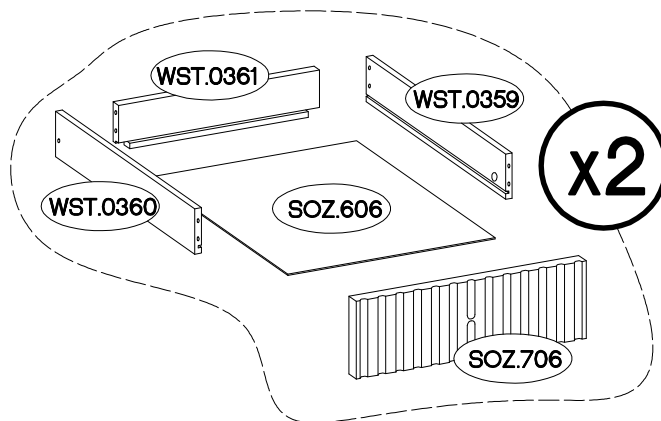
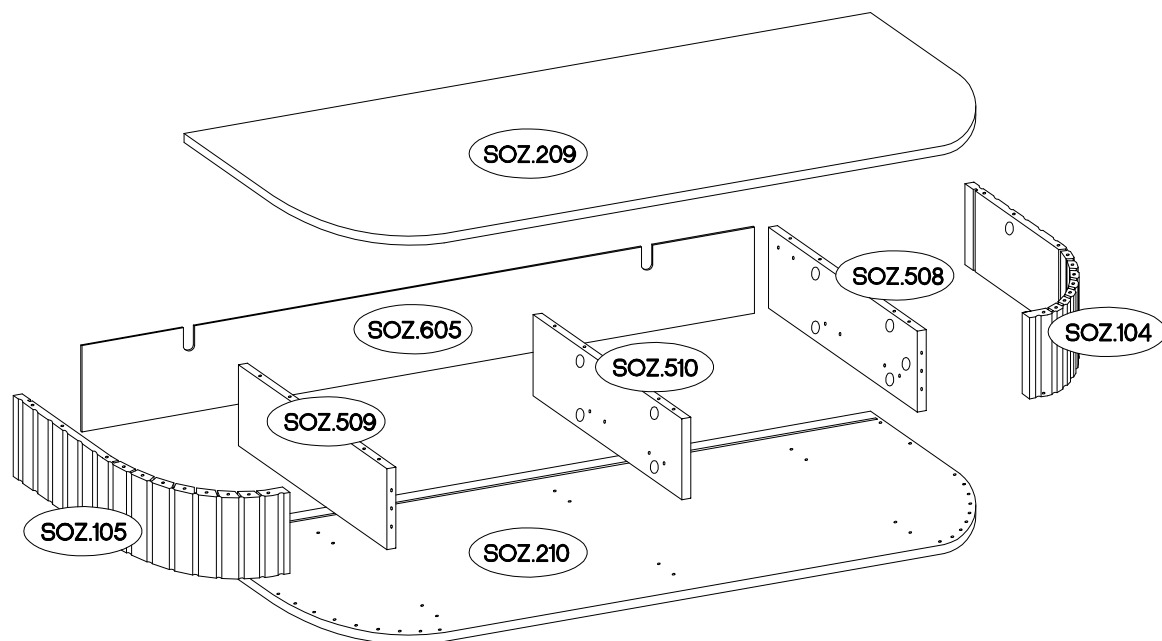



TYP 202

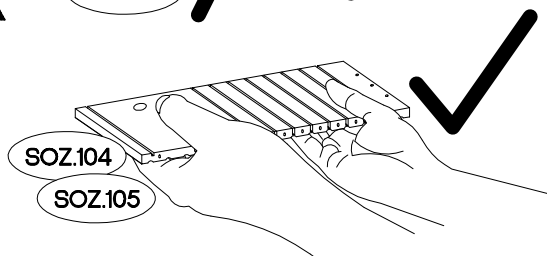
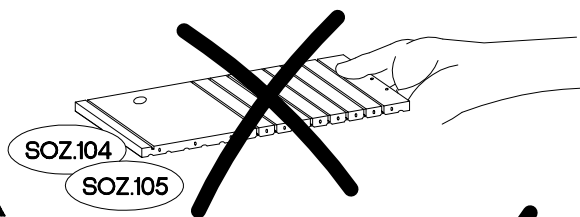


 A 64	 B 2	 B2 4	 C 16	 C5 4	 D2 20	 L=300mm 2	[CD]  I14	 J14 8	 K9 1	 K10 1
 L 1	 R 1	 L 12	 M2 8	 M3 8	 O 1	 O4 2	 O7 2	 P7 4	 S 2	 U 2
			 M2 8	 M3 8		 O4 2	 O7 2	 P7 4		


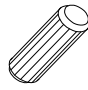
ISM-SOZ-005

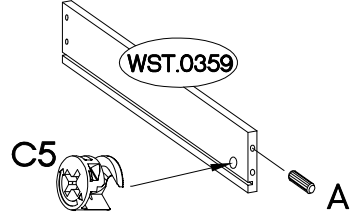
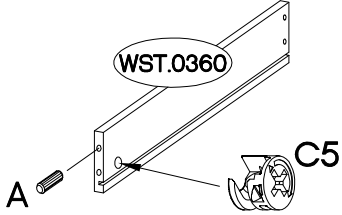
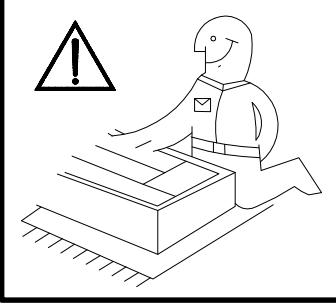
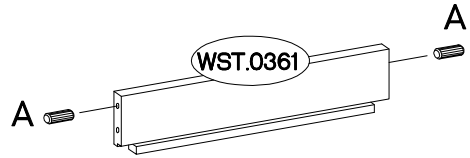


	Ersatzteil Nummer	Dimension
	SOZ.209	1230x359x16
	SOZ.210	1230x359x16
	SOZ.508	143x320x16
	SOZ.509	143x320x16
	SOZ.510	143x320x16
	SOZ.605	152x1205x2,5
	SOZ.606 x2	371x298x2,5
	WST.0359 x2	300x80x12
	WST.0360 x2	300x80x12
	WST.0361 x2	360x80x12
	SOZ.706 x2	137x412x16
	SOZ.104	143x480x16
	SOZ.105	143x480x16

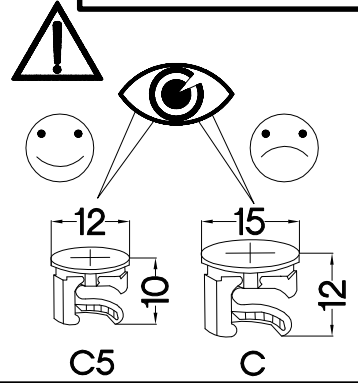


1


+12/10mm  C5 4	+8x30mm  A 8
---	---

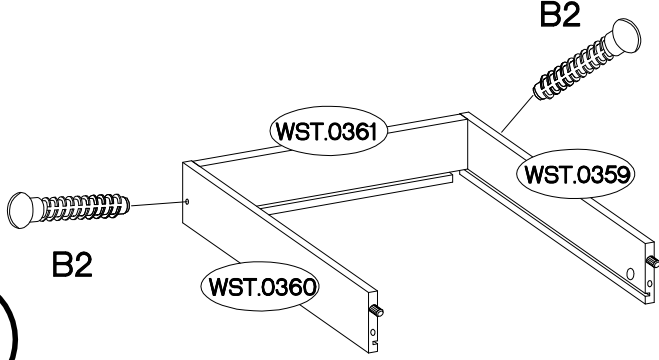
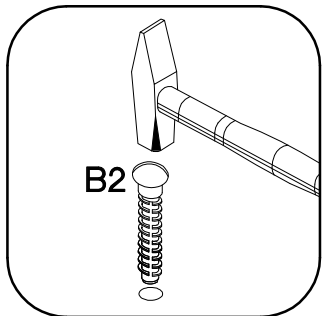
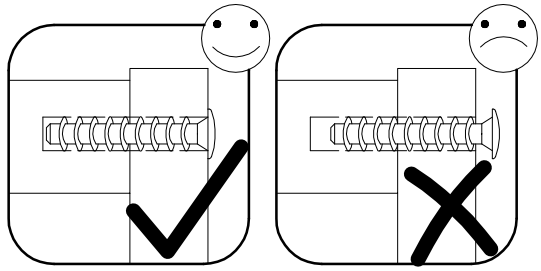
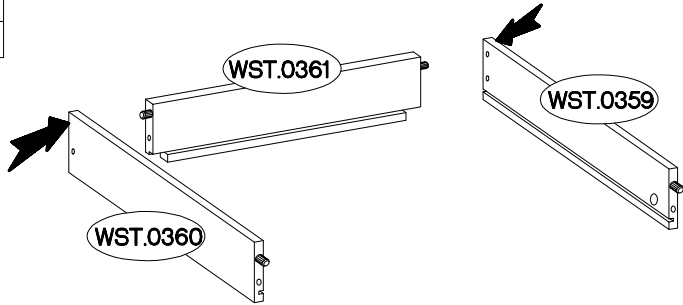


x2




2

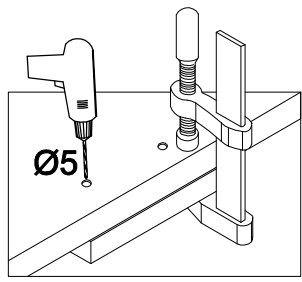
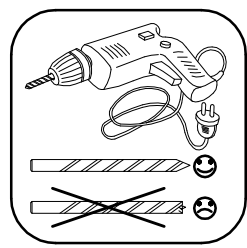
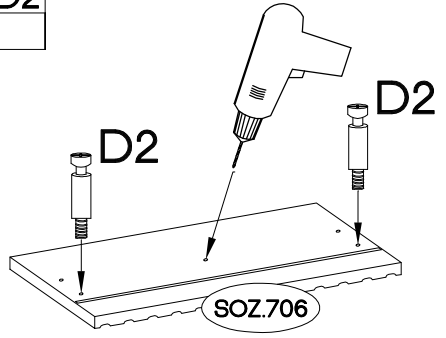
+6x42mm  B2 4
---



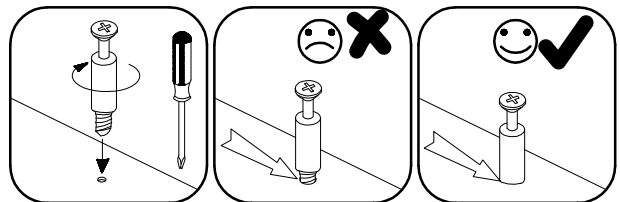
x2

3

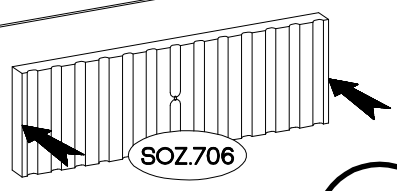
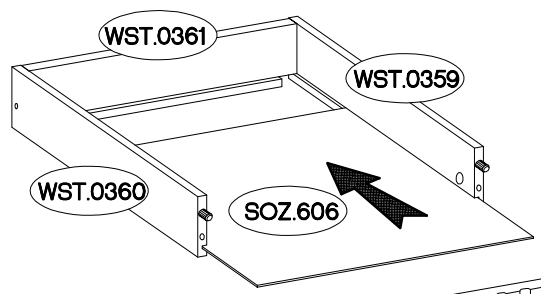
L=20mm  D2 4
--



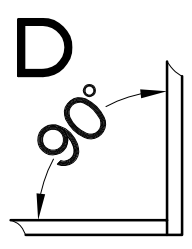
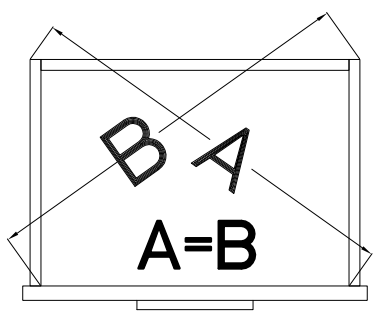
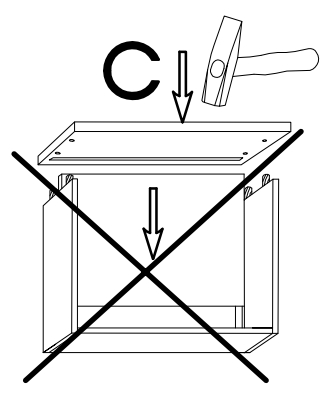
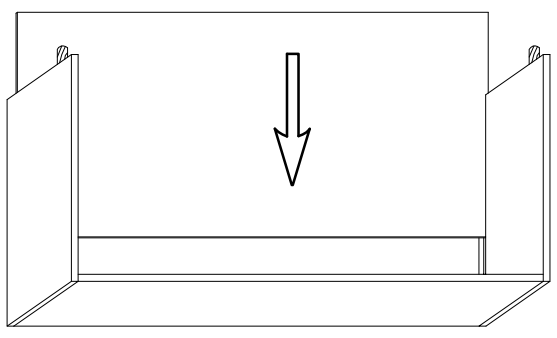
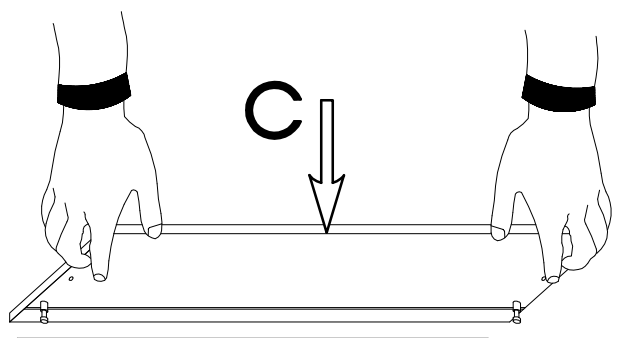
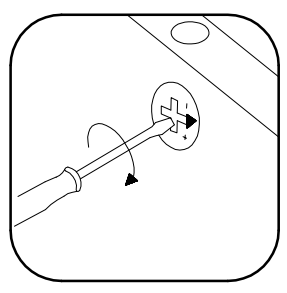
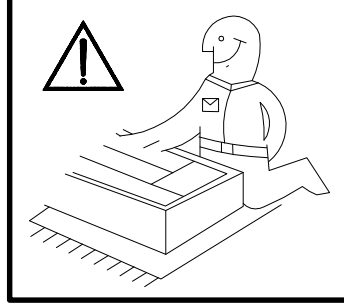
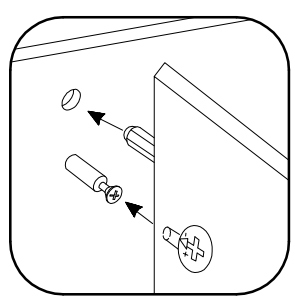
x2



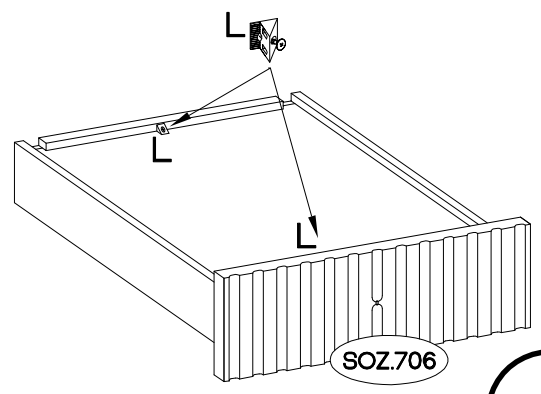
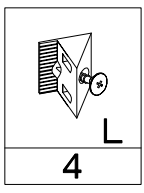
4



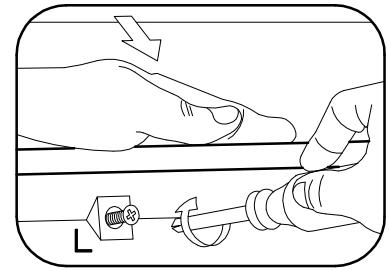
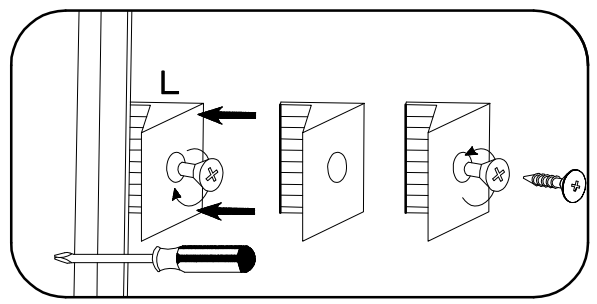
x2

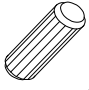


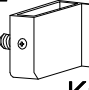
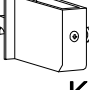


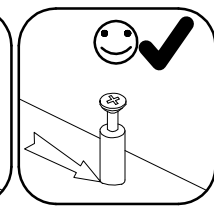
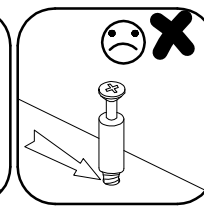
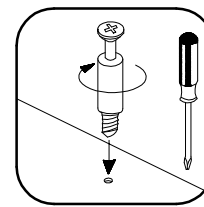
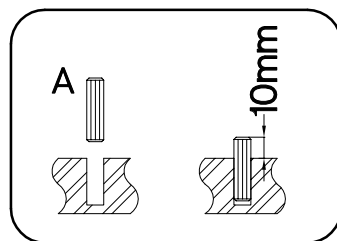
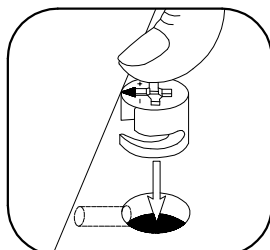
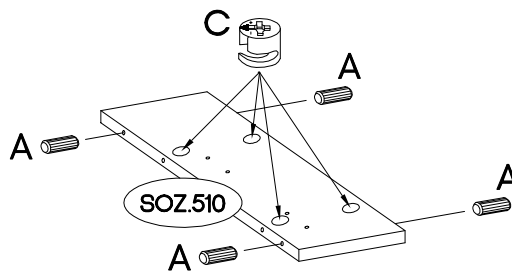
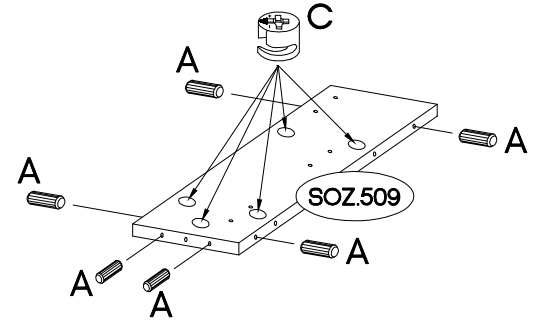
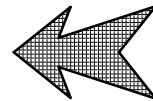
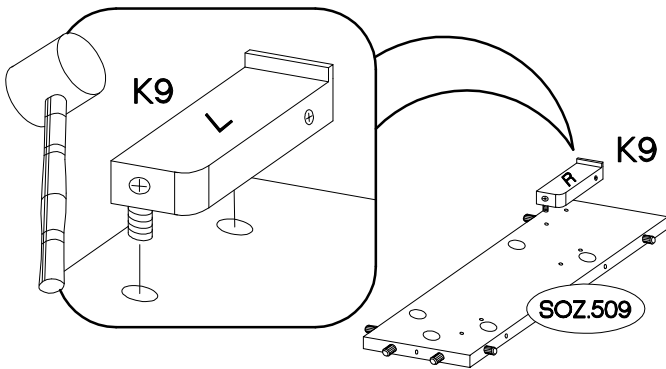
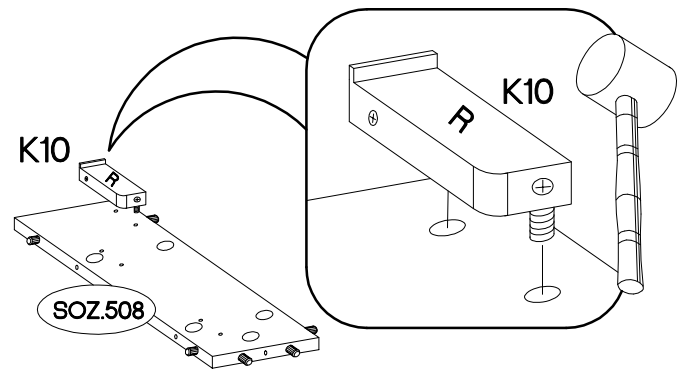
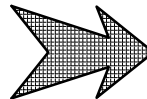
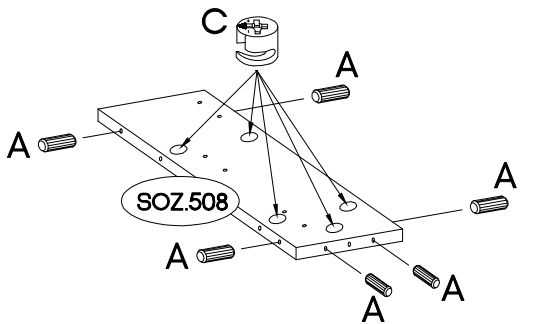
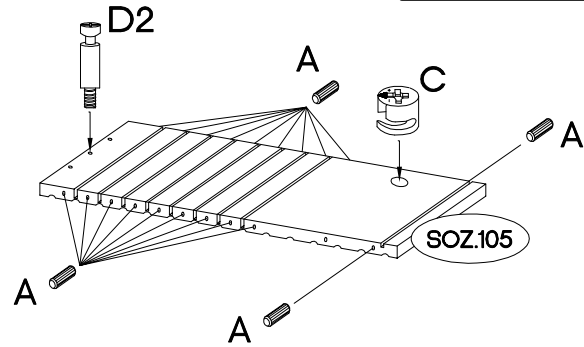
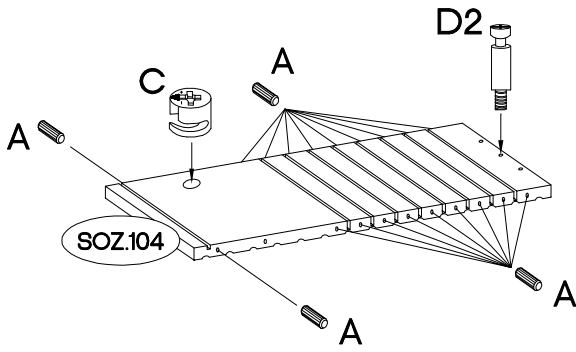
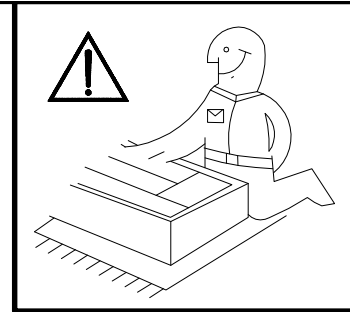
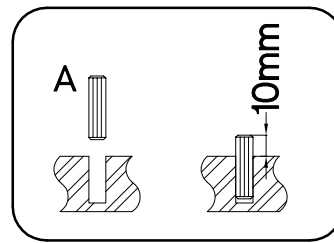
5



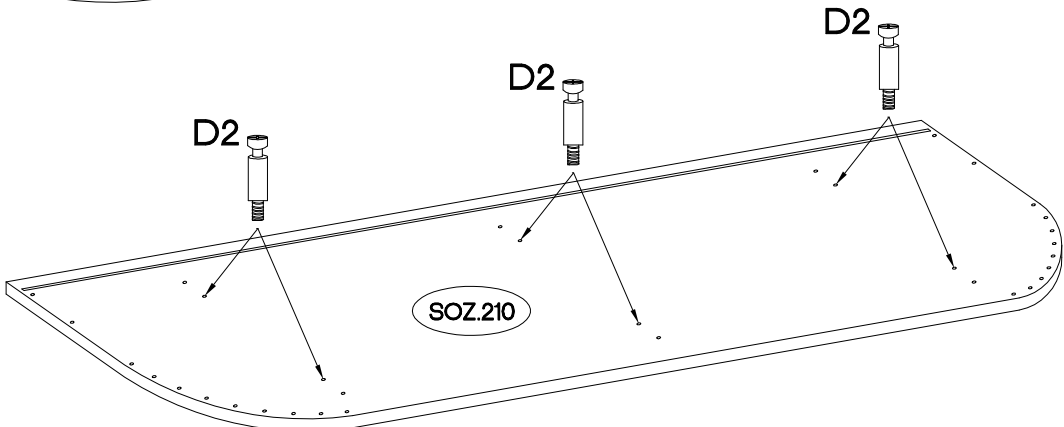
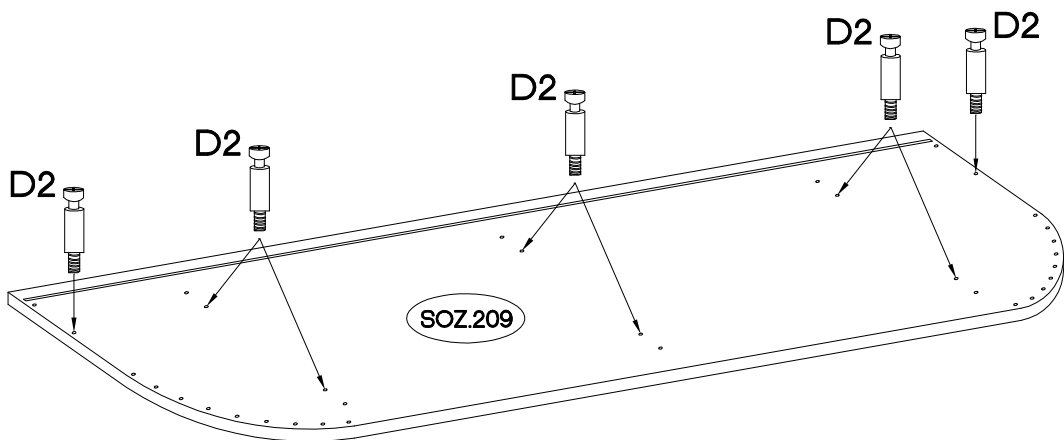
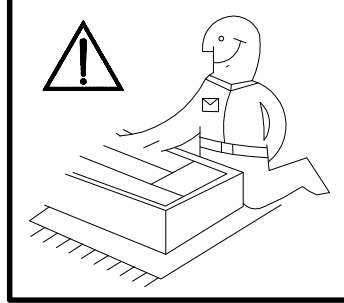
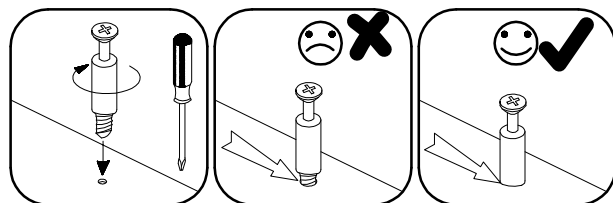
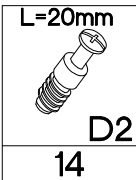
x2



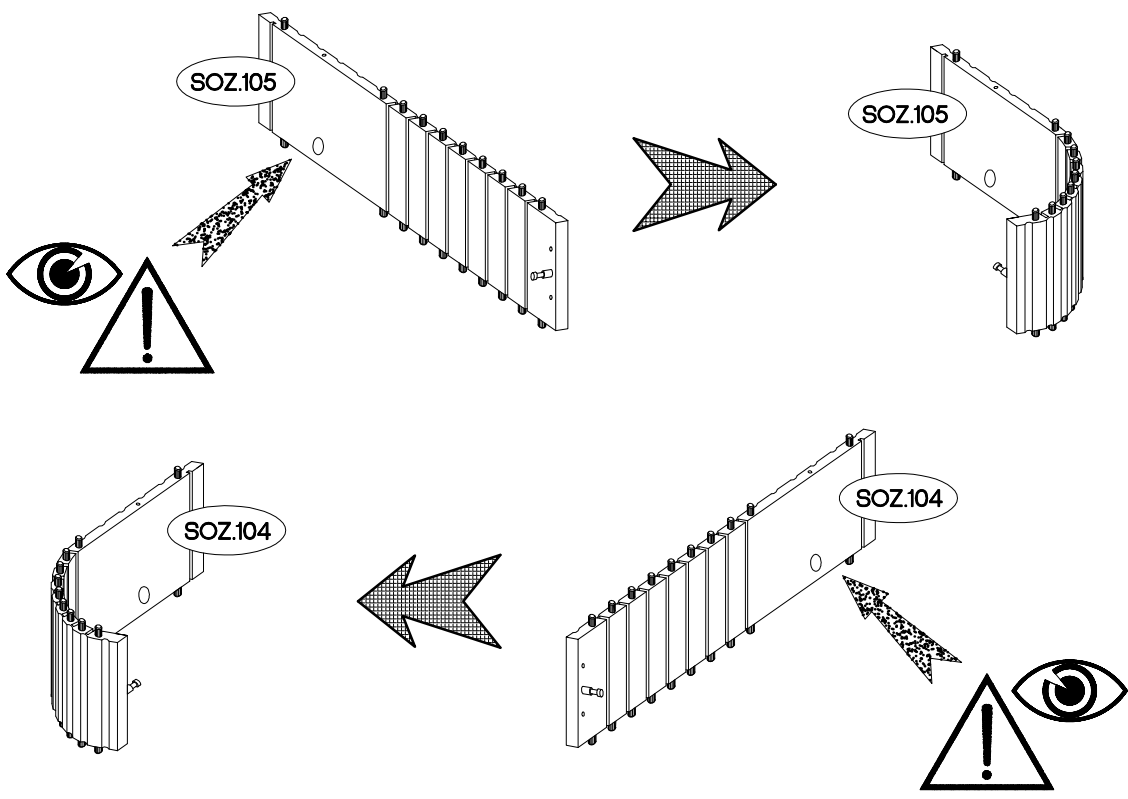
$\pm 8 \times 30 \text{mm}$  A 56	$\pm 15/12 \text{mm}$  C 16	$L=20 \text{mm}$  D2 2	L  K9 1	R  K10 1
--	--	---	--	---

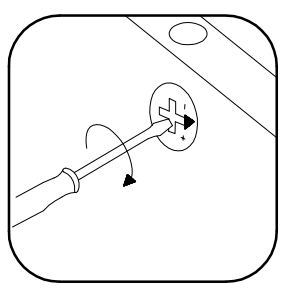
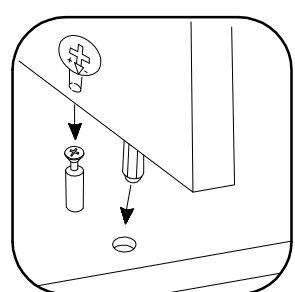
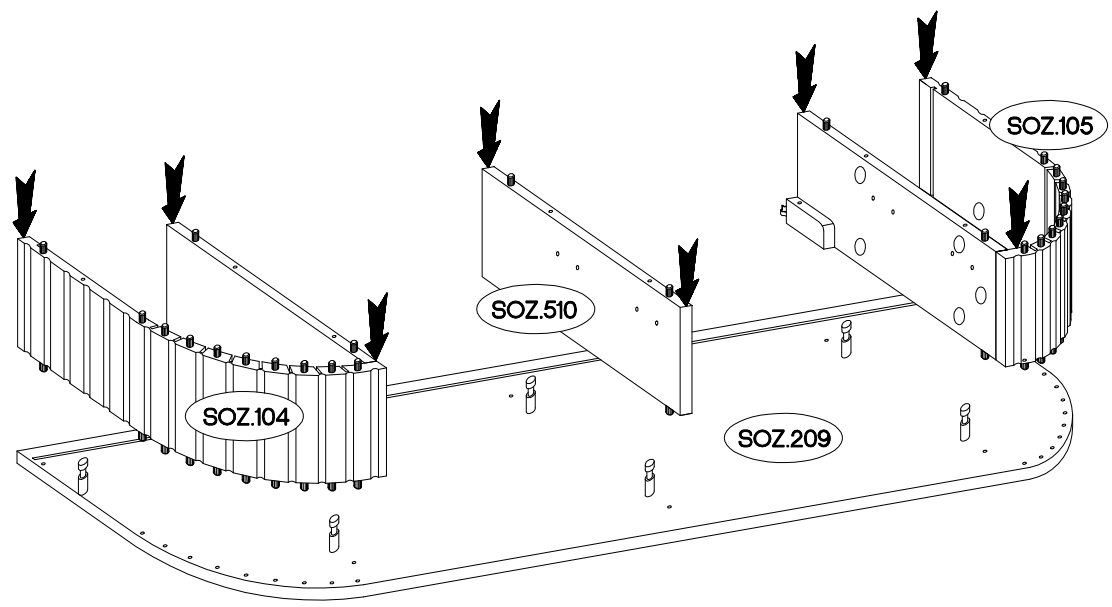
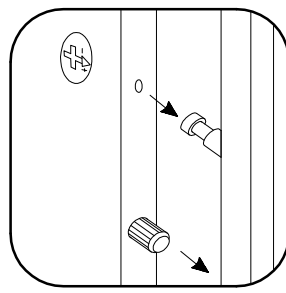
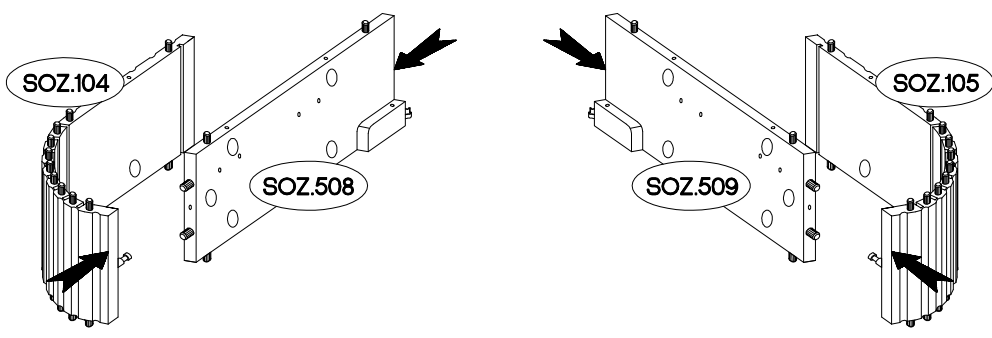


7

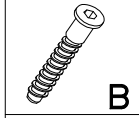


8





6,4 x 50mm



B

2



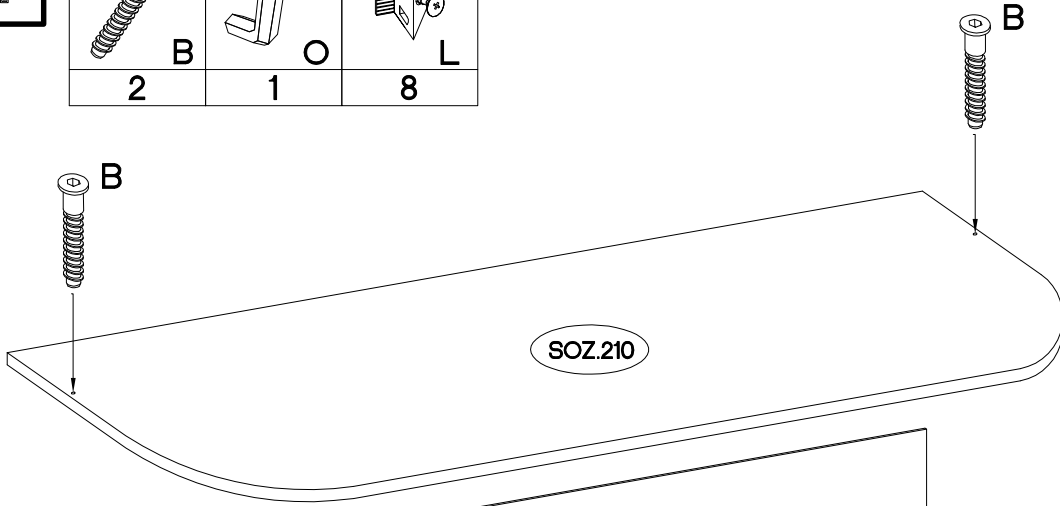
O

1



L

8



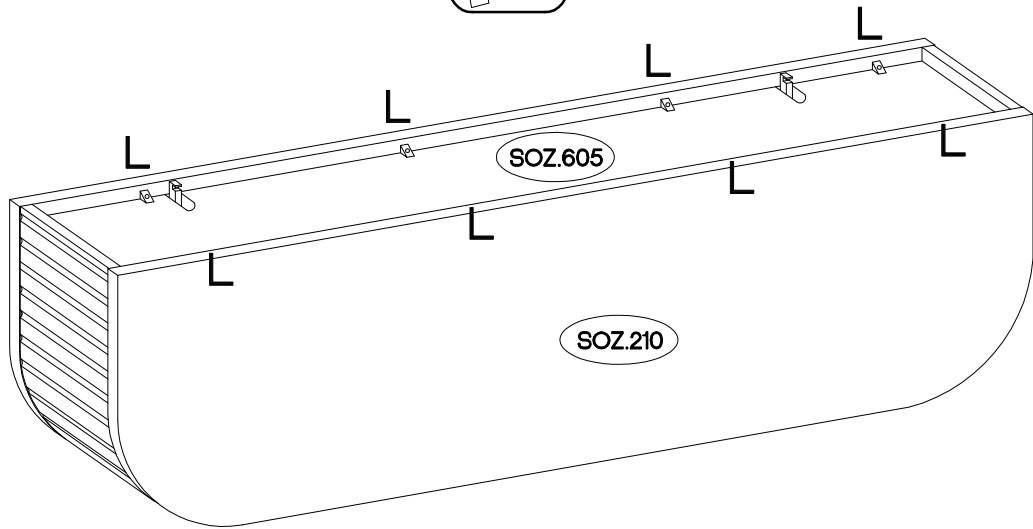
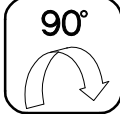
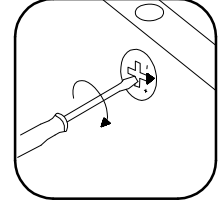
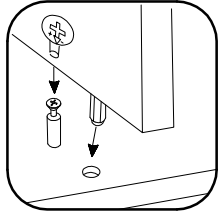
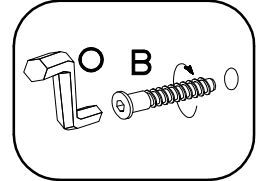
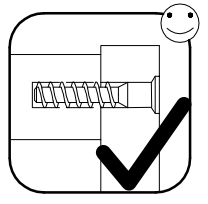
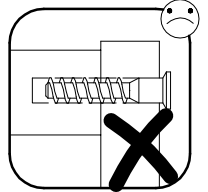
SOZ.210

SOZ.605

SOZ.105

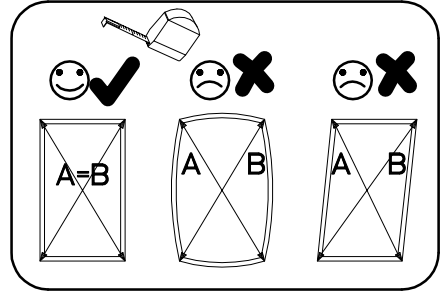
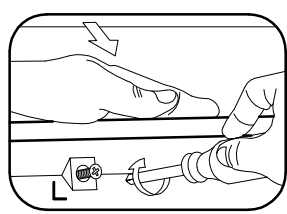
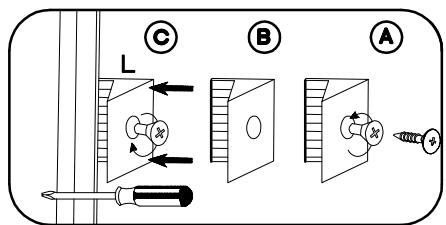
SOZ.209




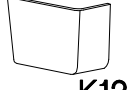
SOZ.104

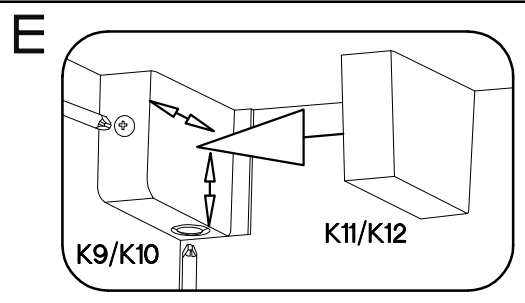
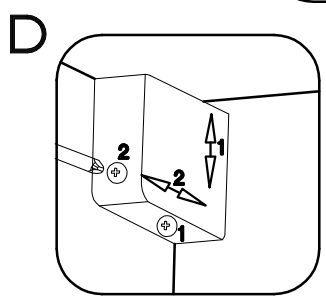
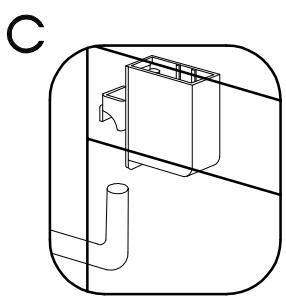
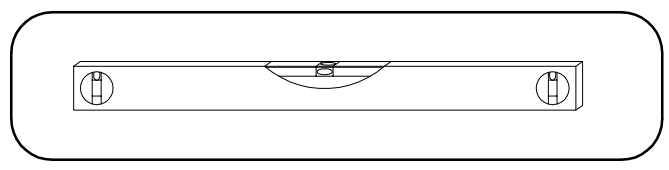
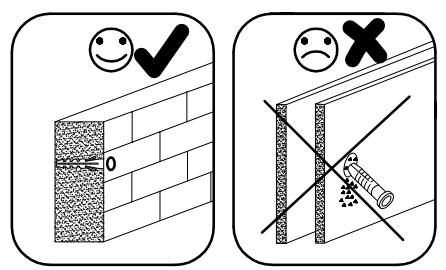
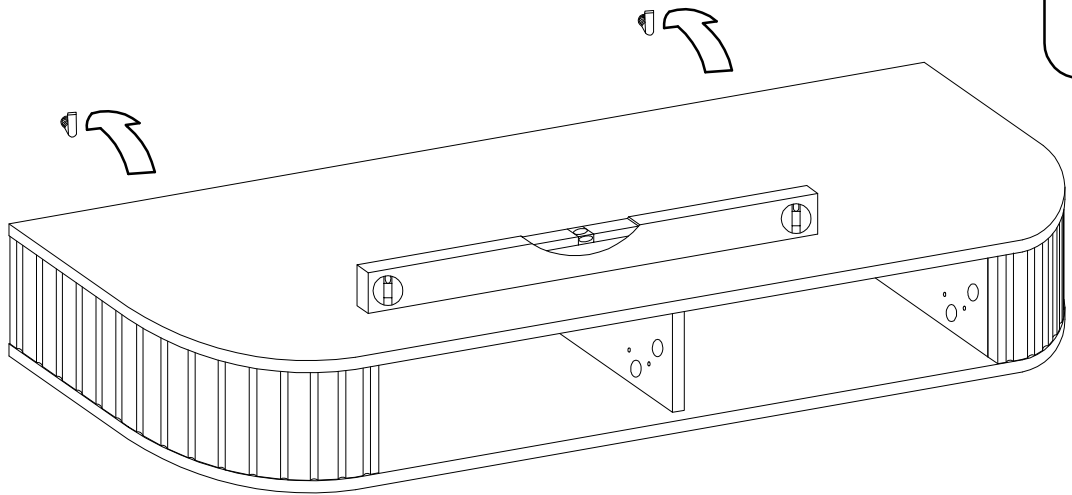
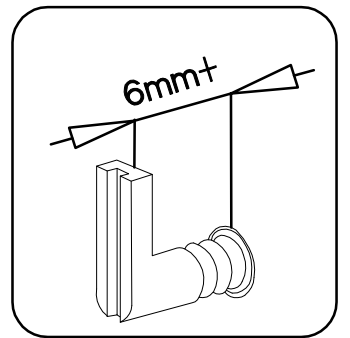
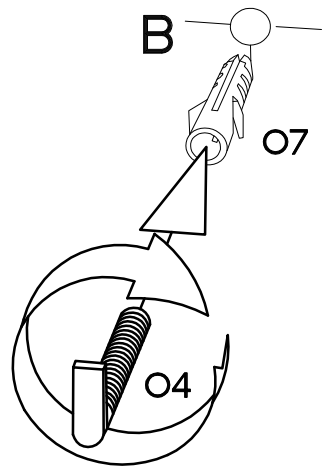
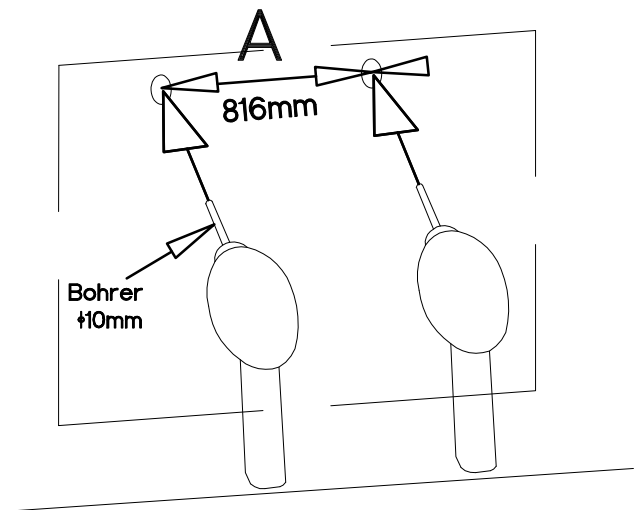


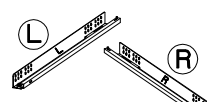
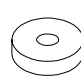


SOZ.605

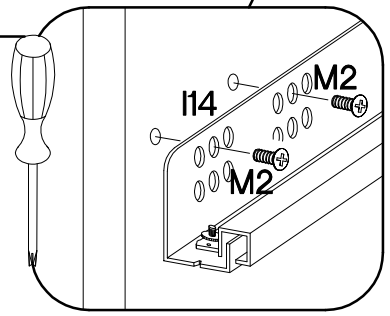
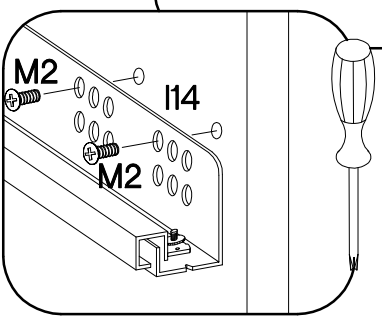
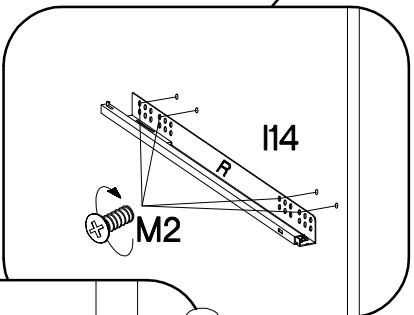
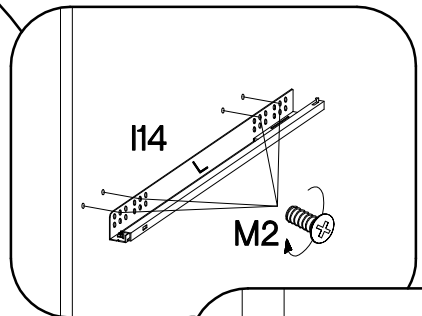
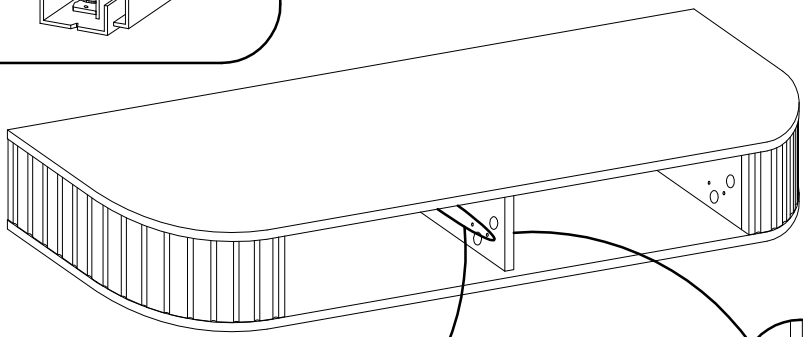
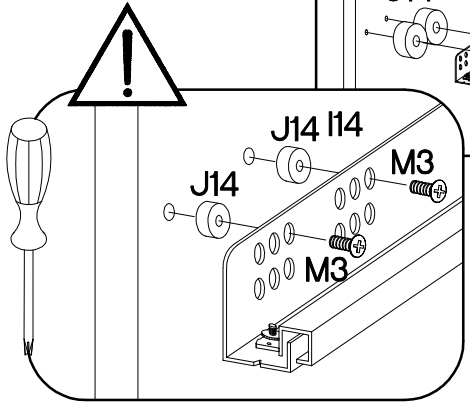
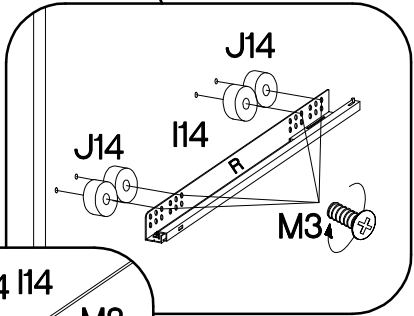
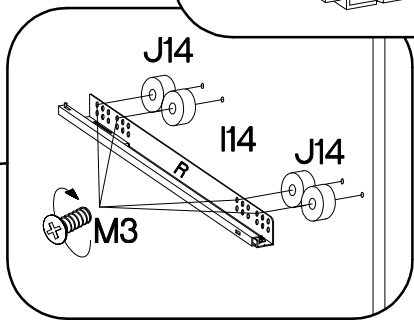
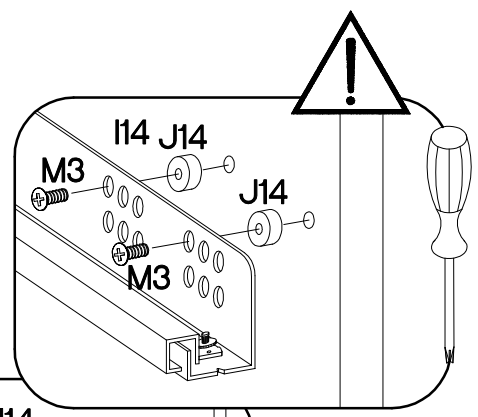
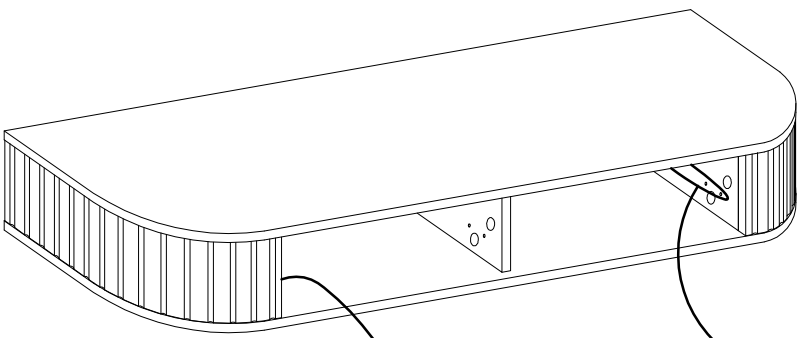
SOZ.210






$\pm 10 \times 50 \text{mm}$  O7 2	$6,5/68 \text{mm}$  O4 2	L  K11 1	R  K12 1
---	---	---	---



[CD]	+20/8mm	+6.3x13mm	+6.3x20mm
 L=300mm 2	 J14 8	 M2 8	 M3 8



 S	M4x22mm  U	+3.0x20mm  P7
2	2	4

