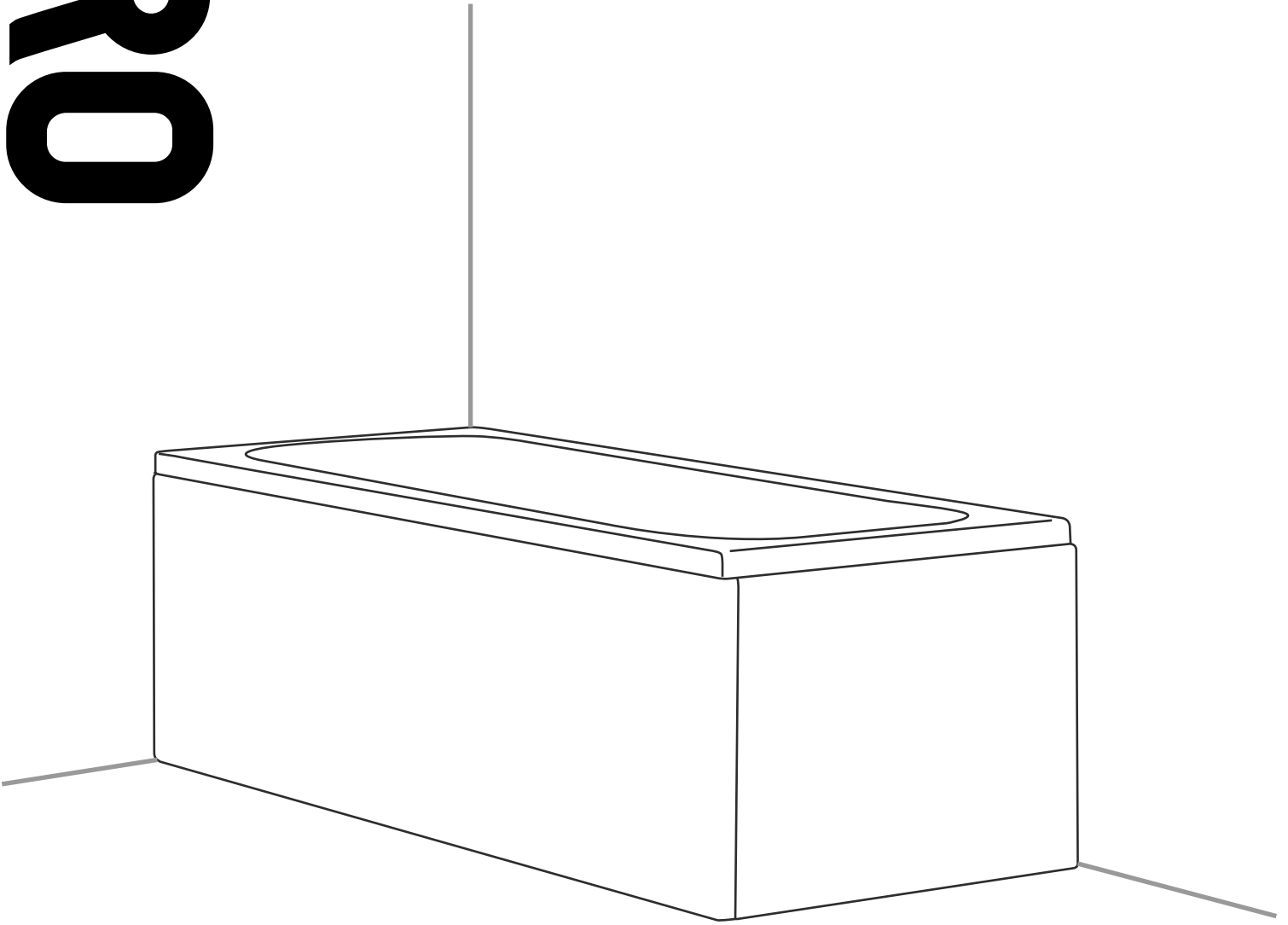

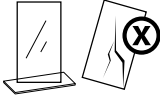




NORO

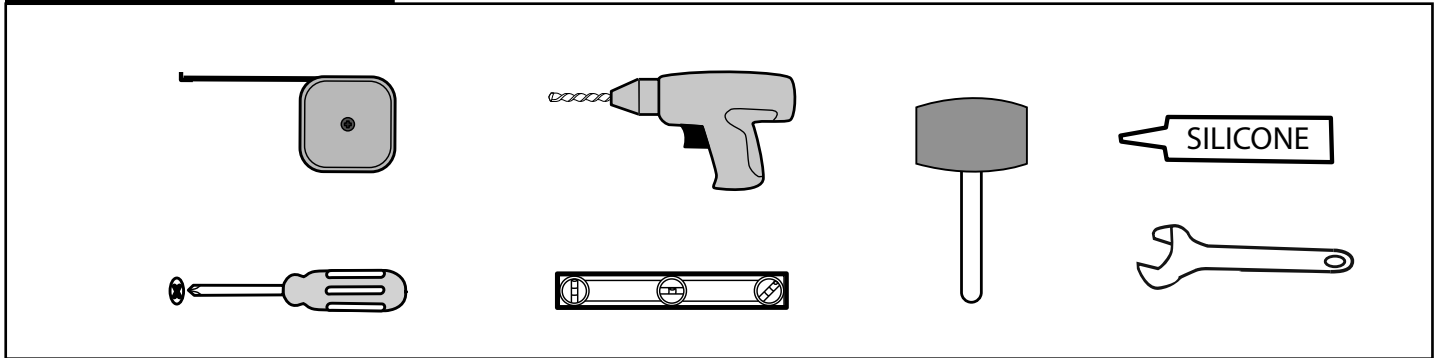


SINGLE

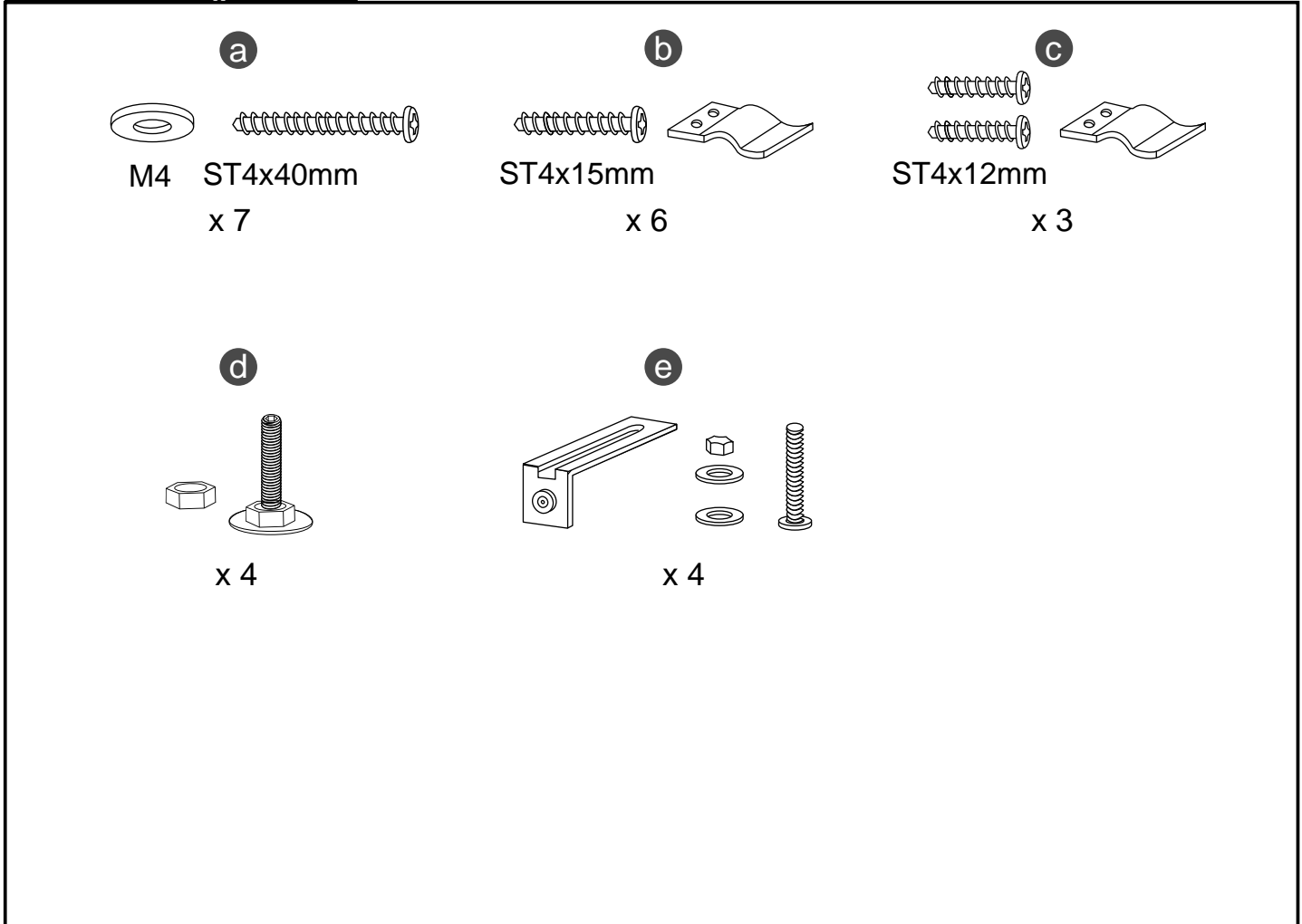
Getting Start

	<p>Googles are recommended to protect the eyes</p>		<p>Caution: Always Handle Glass With Care! Always protect the edges and corners of the glass when assembling.</p>
	<p>2 people are recommended to assemble this shower enclosure</p>		<p>Gloves are recommended to prevent slippery on glass</p>

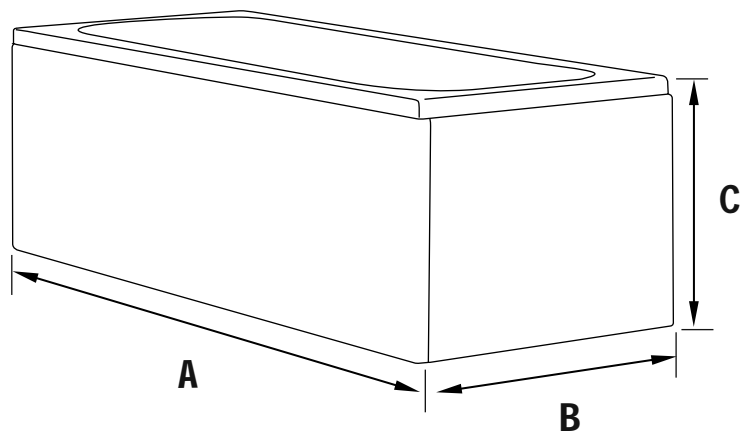
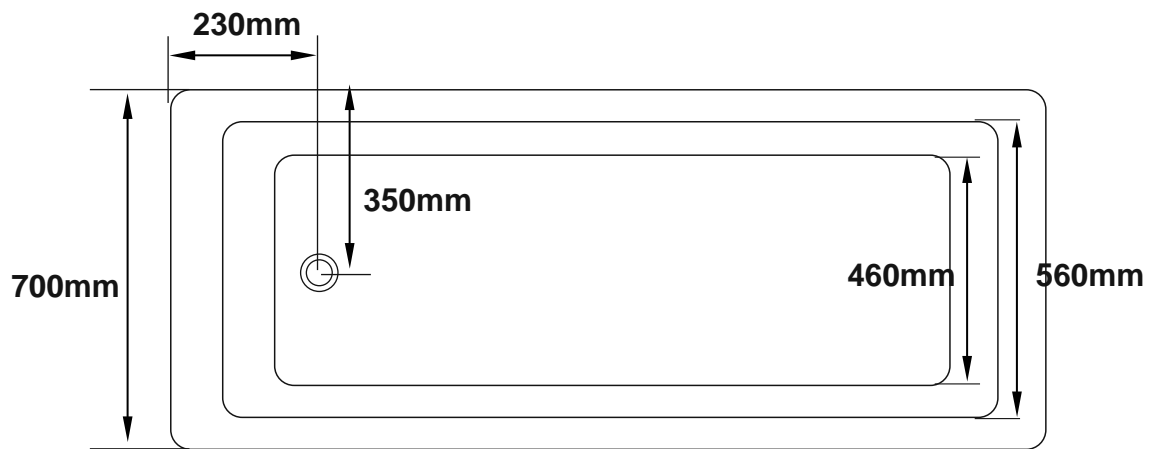
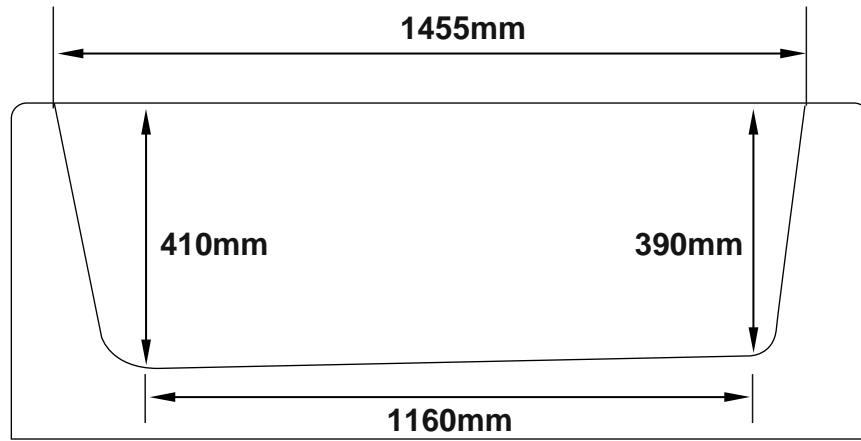
Tools Needed:



Accessories Bags:

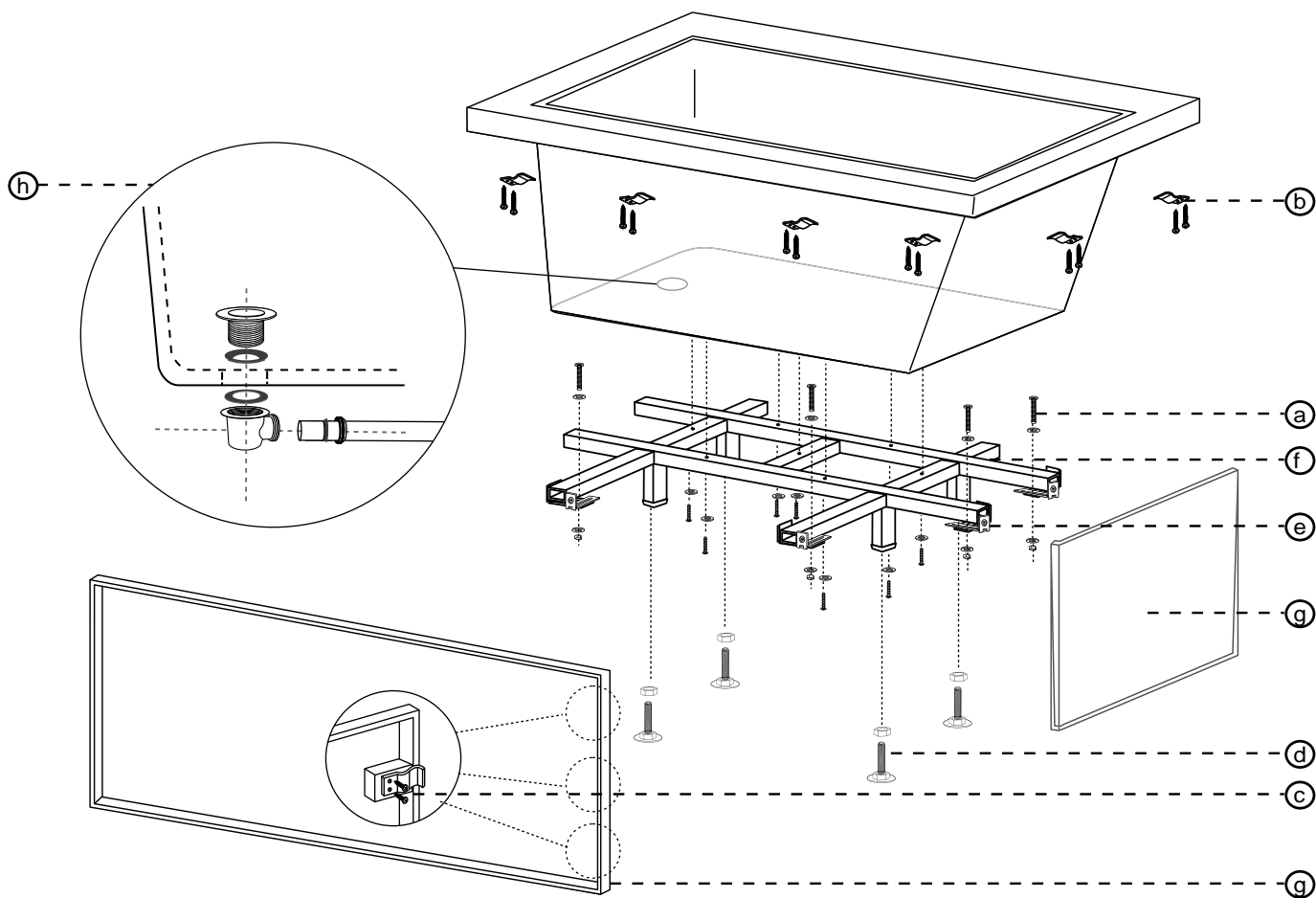


Measurement



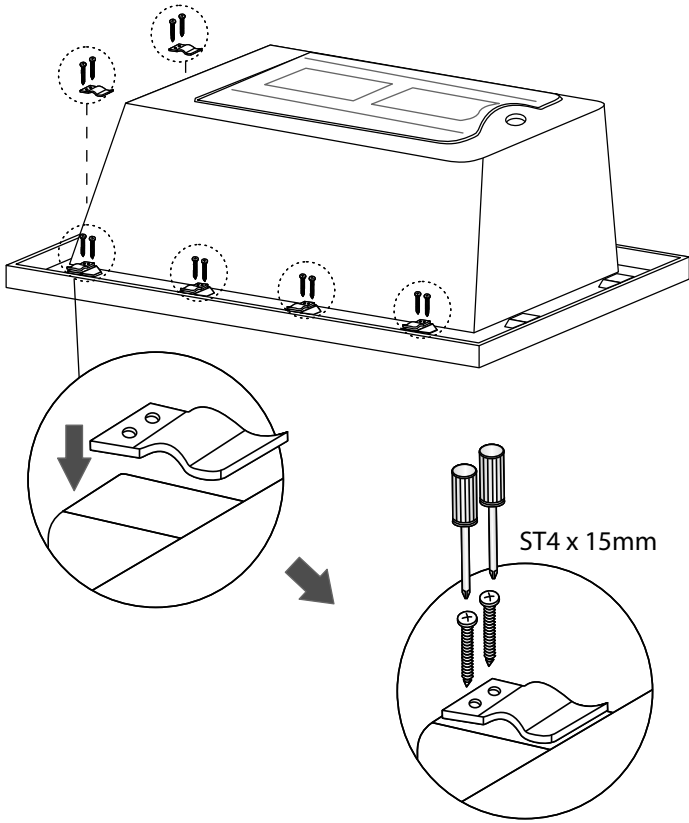
Model	A	B	C
SINGLE	1595mm	700mm	560-585mm

Exploded View:

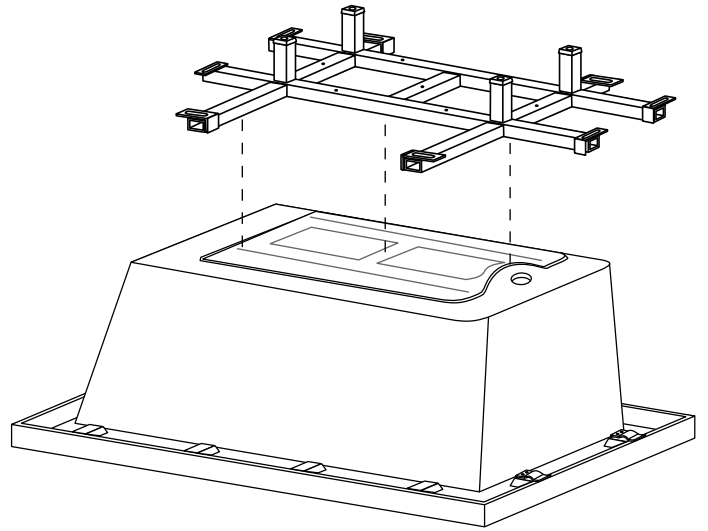


Drawing Nr.	Art Nr.	Description	Unit
a	9237	ST4x40mm screws and washer	Set
b		ST4x15mm screws with clips	
c		ST4x12mm screws with clips	
d		Bathtub legs	
e		L-connector for stand	
f	9234	Stainless-steel stand with screws	Set
g	9230	Skirt panels - long and short	Set
h	9238	Drainage complete kit	Set

1

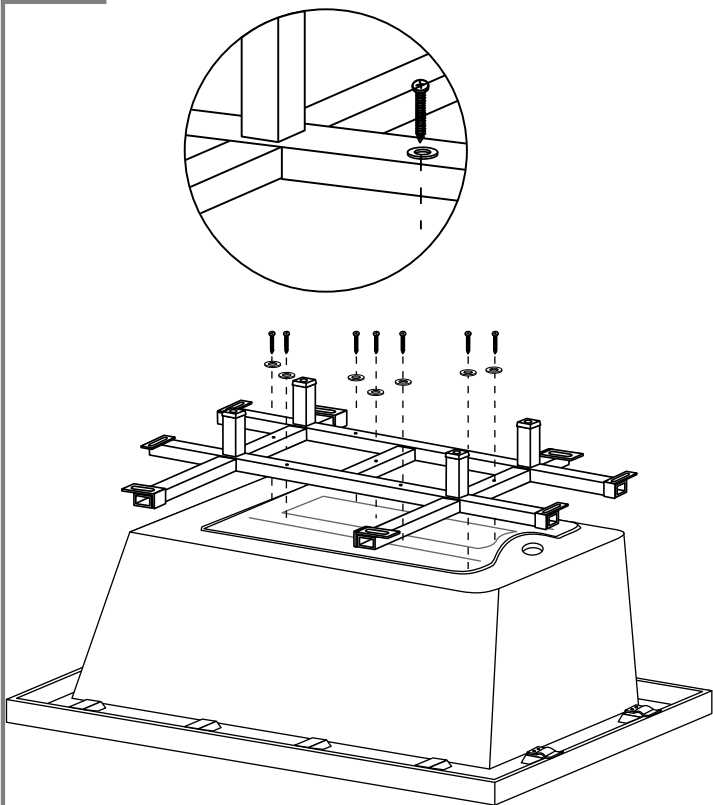


2

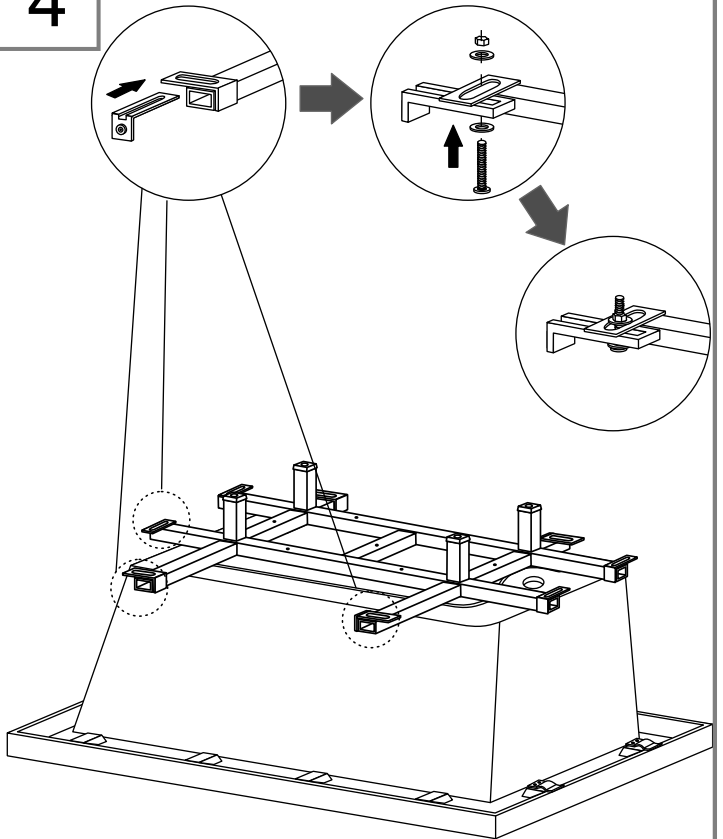


3

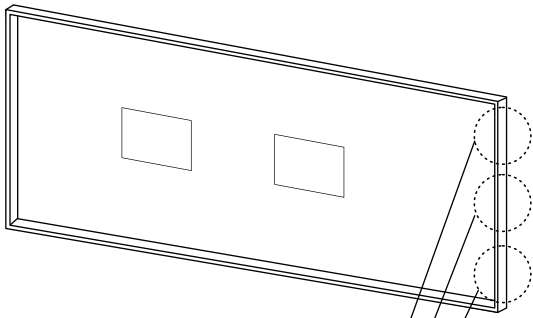
ST4 x 40mm



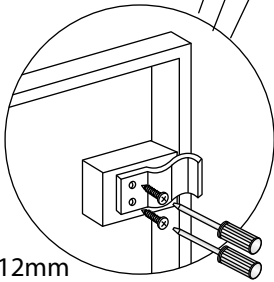
4



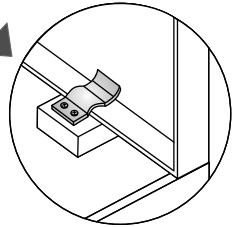
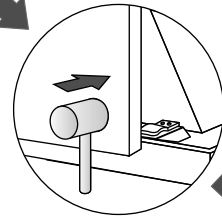
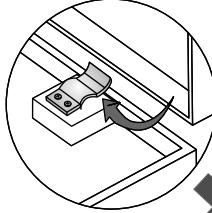
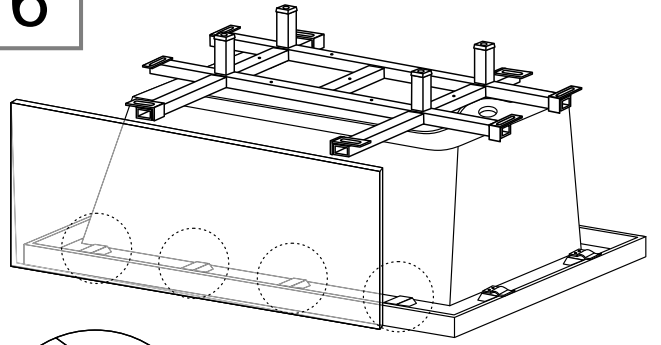
5



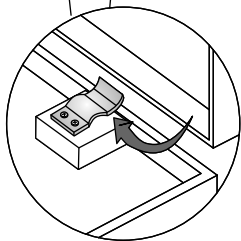
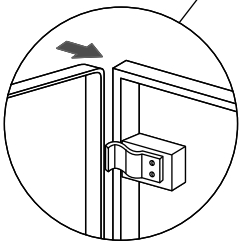
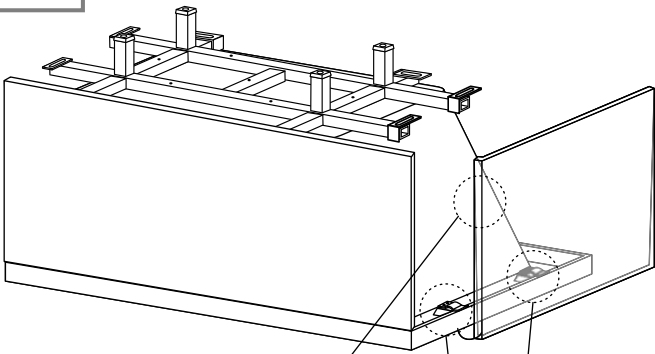
ST4 x 12mm



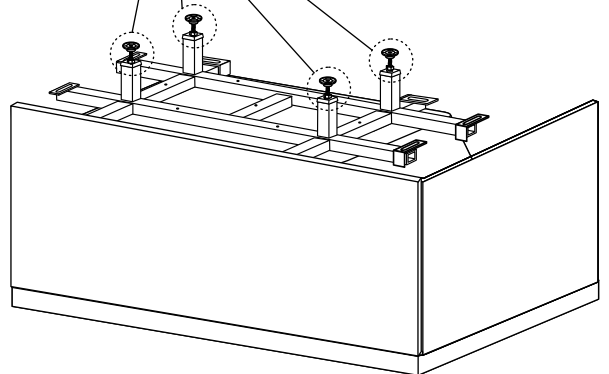
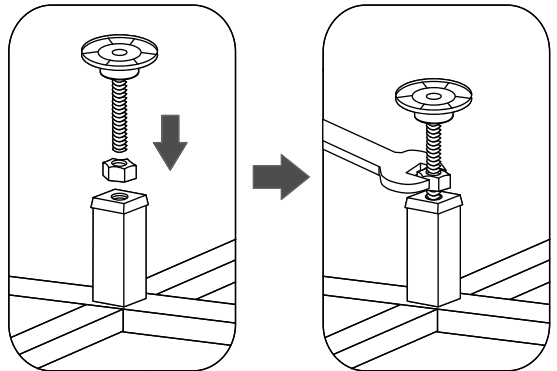
6



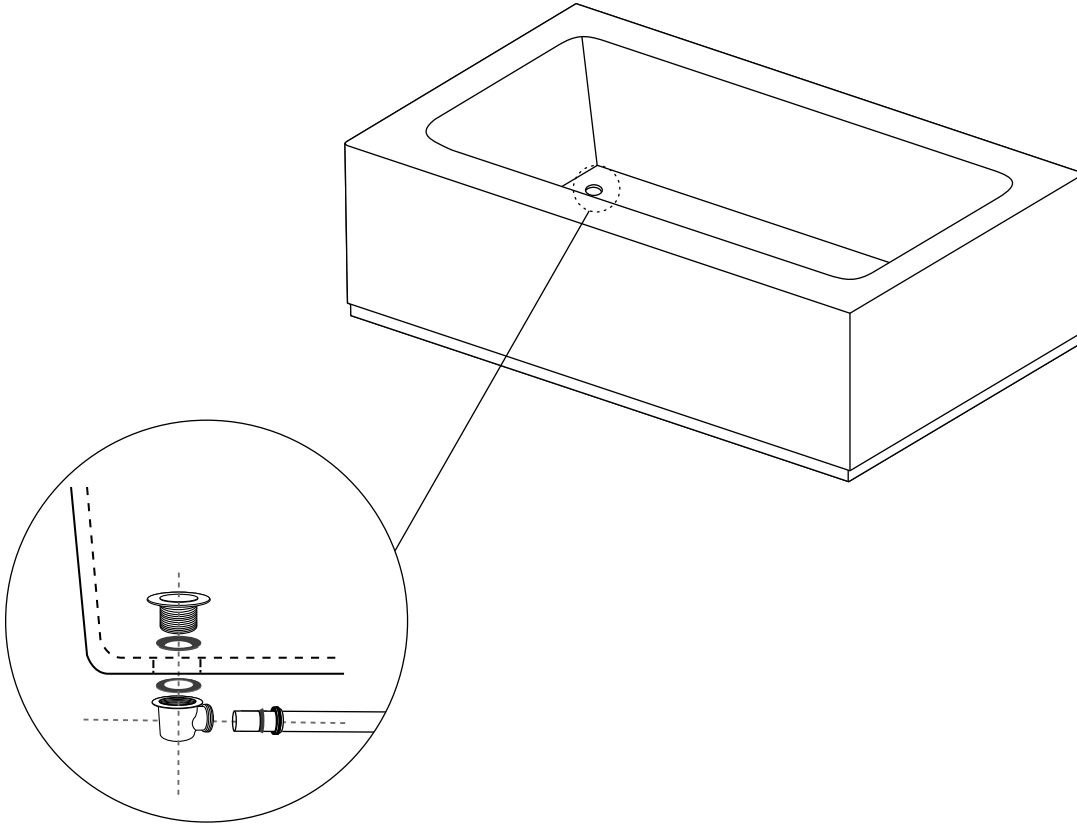
7



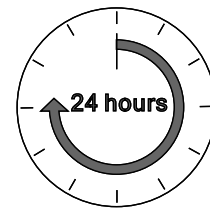
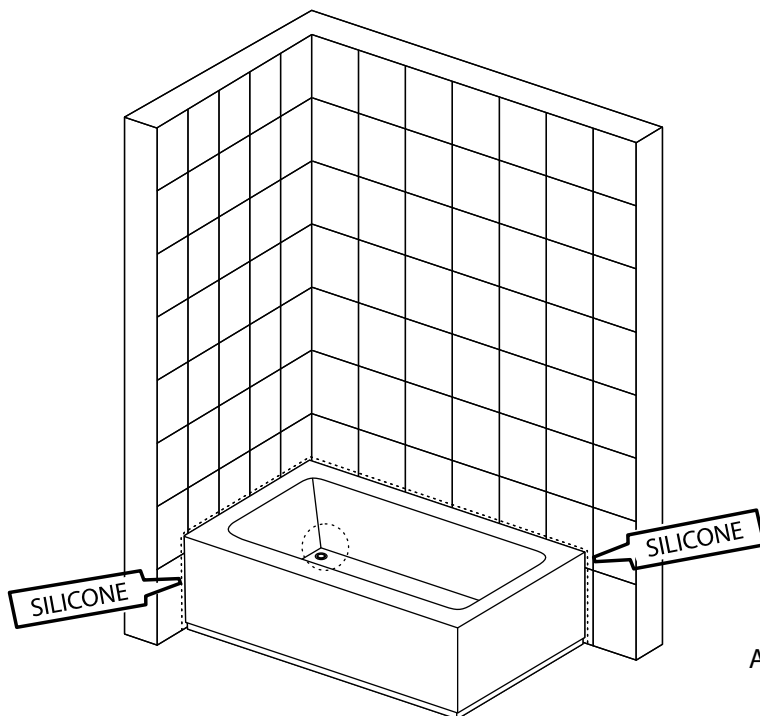
8



9

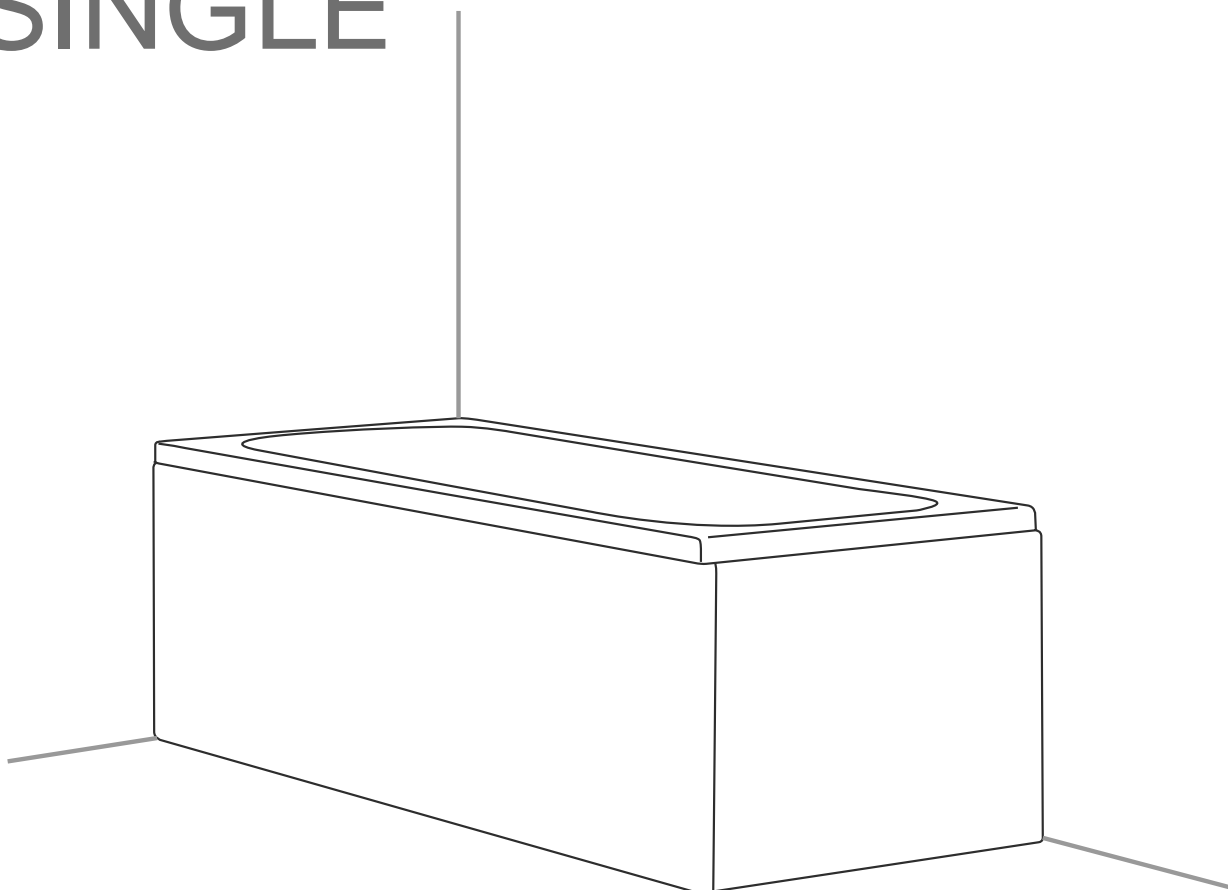


10



Allow 24 hours for silicone to dry before use.

SINGLE



Address:
Montörgatan 7, 2 tr,
S-302 60 Halmstad, Sweden.
+46 (0)35 166430

Noro Scandinavia
Ver.001