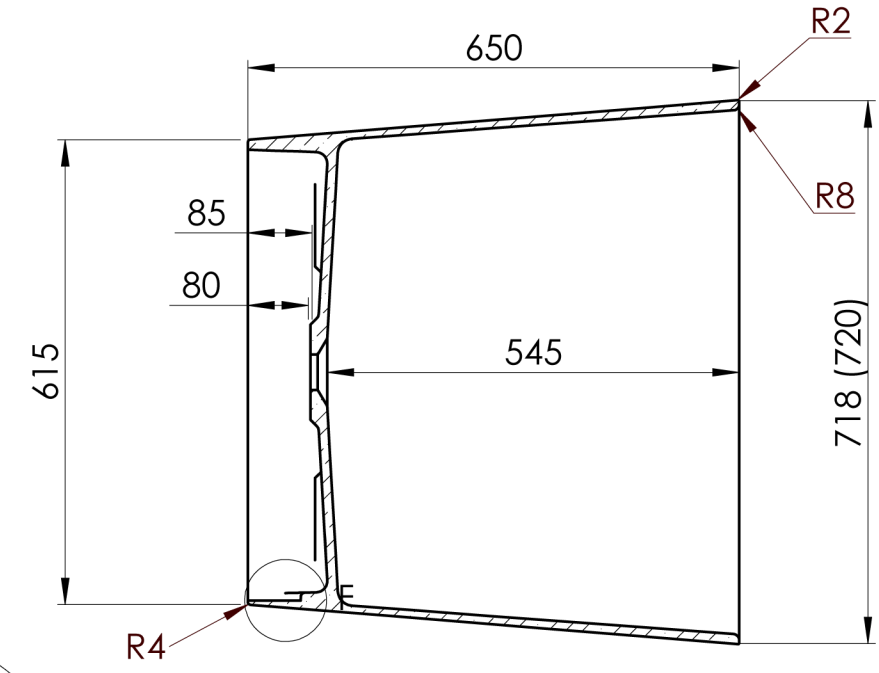
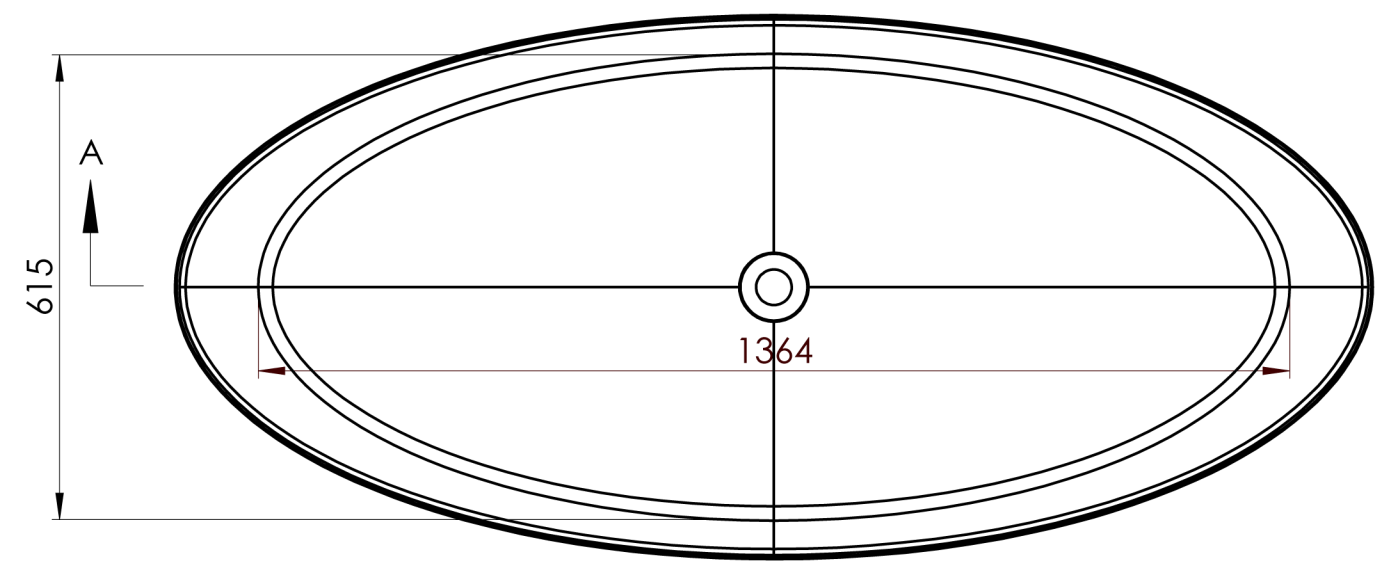
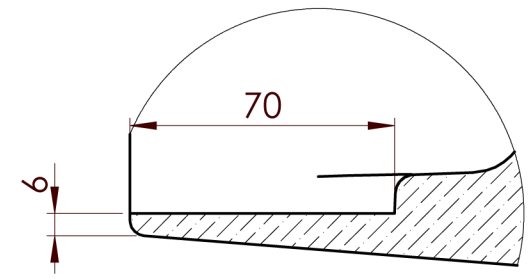
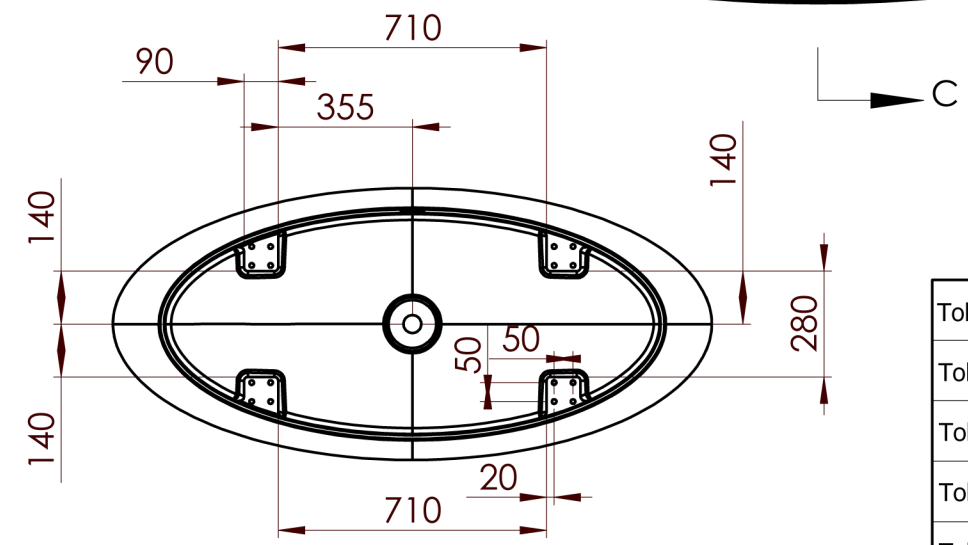


A-A (1 : 10)



C-C (1 : 10)



| | | | | | | | | |
|---------------------------------|--------------|--------------|------------|----------------------|------------------|------------------------------------|------------------|-------|
| Tolerance length | +3/-0 mm | Skapad Datum | 2010-12-20 | Tolerans Length (mm) | +3/-0 | Skala | 1:20 | |
| Tolerance length granite | +1.5/-1.5 mm | Projekt ID | 2010 | Kund | NORDEXA | Titel / Benämning SAND 1582 | | |
| Tolerance Taphole Location | +3/-3 mm | Ågar | F (1 : 2) | NORO | | MM Art.nr | 6132800210XX | |
| Tolerance overflowhole Location | +3/-3 mm | | | SCANDINAVIA | | Dimensions | 1582 X 718 / 650 | |
| Tolerance plane bending | +1.5/-1.5 mm | | | Client ID | SAND 1582 | Rev | Blad | 1 (4) |

This document must not be copied without our written permission, and the contents thereof must not be imparted to a third party nor be used for any unauthorized purpose. Contravention will be prosecuted.