

SEASIDE

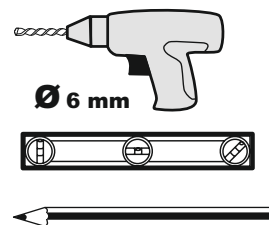
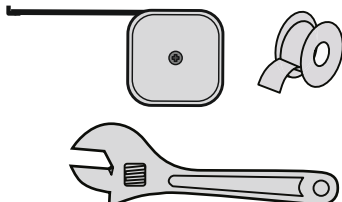
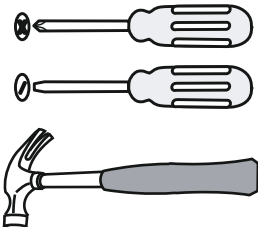
## Before installation

- review instruction carefully before installation
- installation should be completed by a suitably qualified person
- please dispose of packaging in a responsible manner



The electric heating element shall be fitted only in the lower hole of vertical tube - collector, which is marked with the red label (behind the collector). The electric heating element could be fitted both on the right and on the left side of the radiator. To choose the required side of fitting the heating element, turn the radiator 180 degrees (make U-turn).

## Tools Required



## Accessories Bags

1



1x

2



2x

3



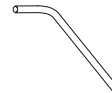
2x

4



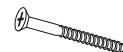
2x

5



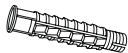
1x

6



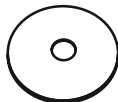
4x

7



4x

8



4x

9



4x

10



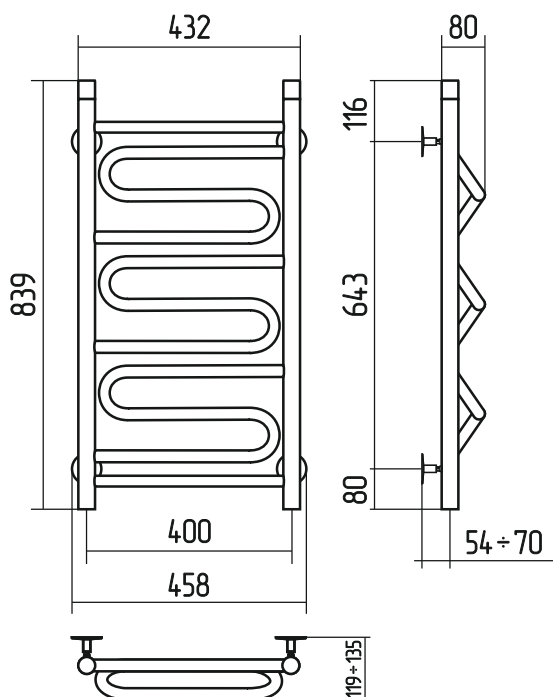
4x

11



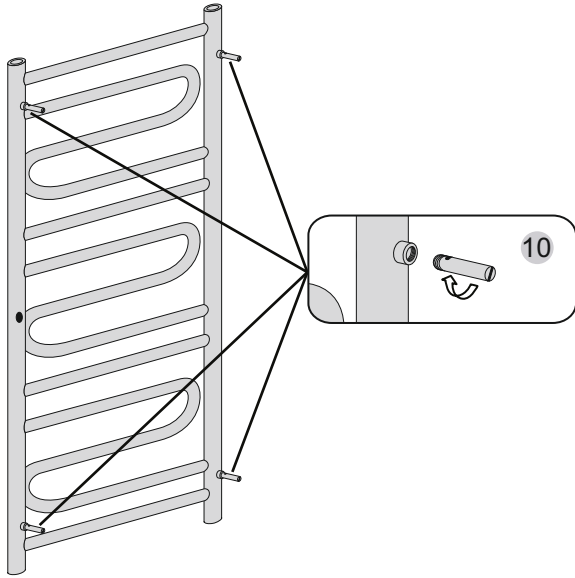
1x

## Series

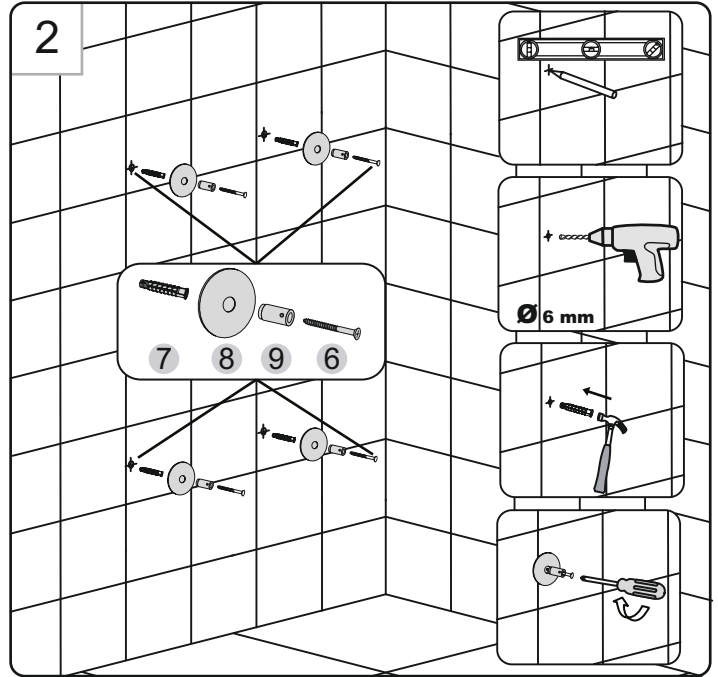


# For The Electrical Heater

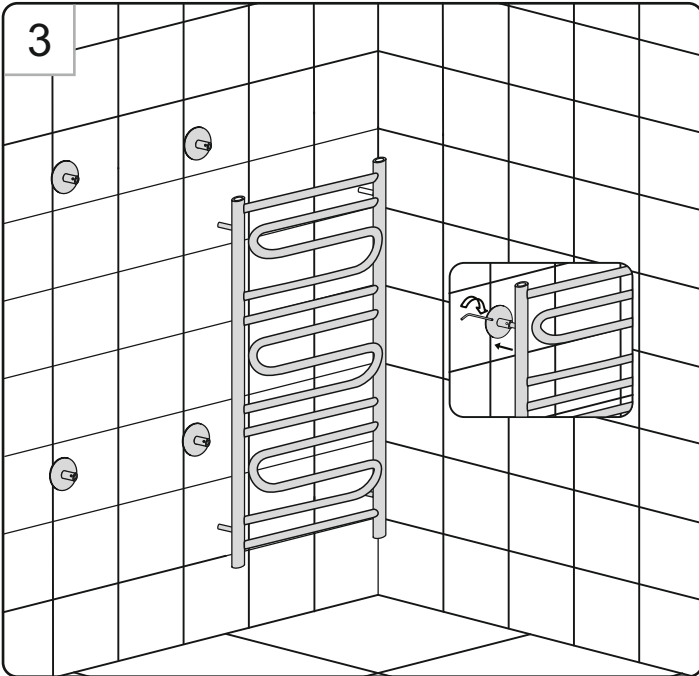
1



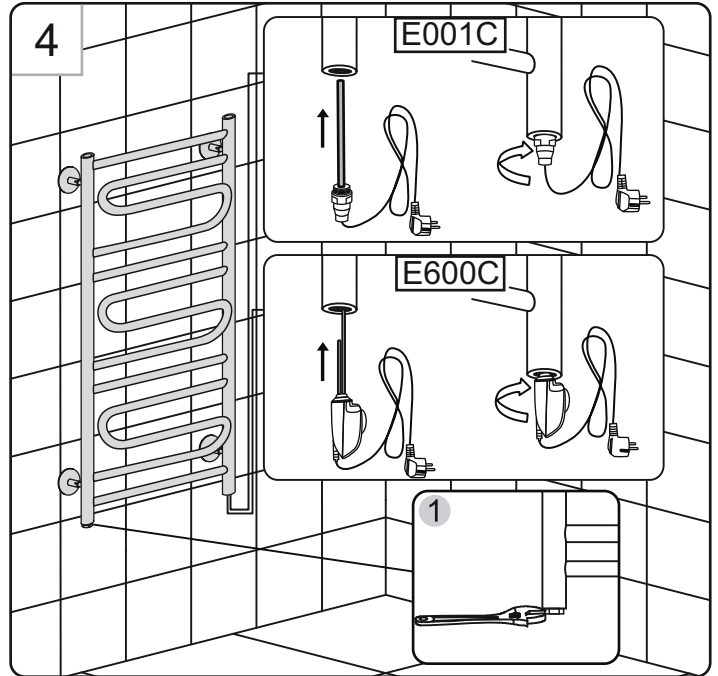
2



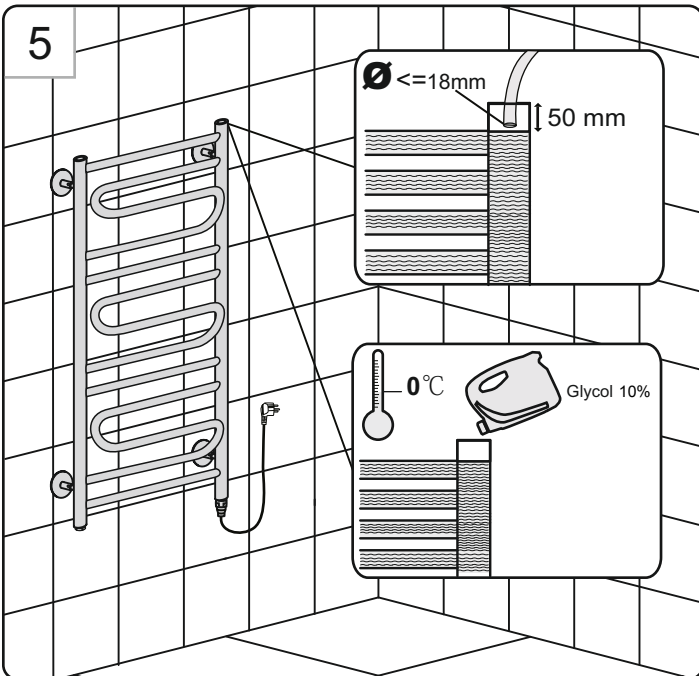
3



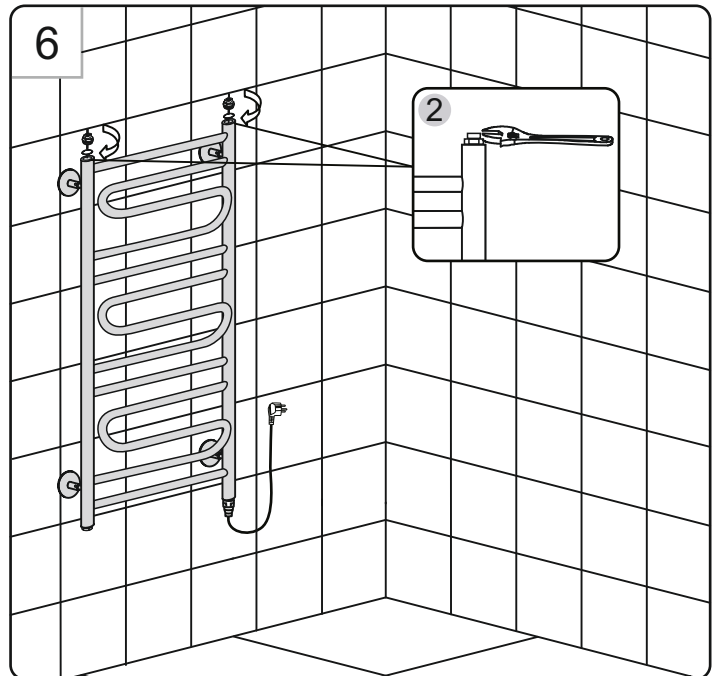
4

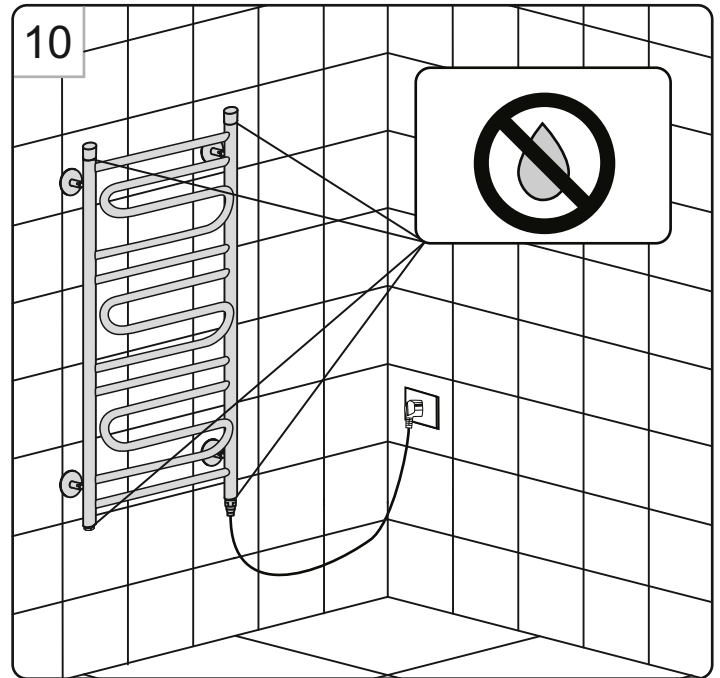
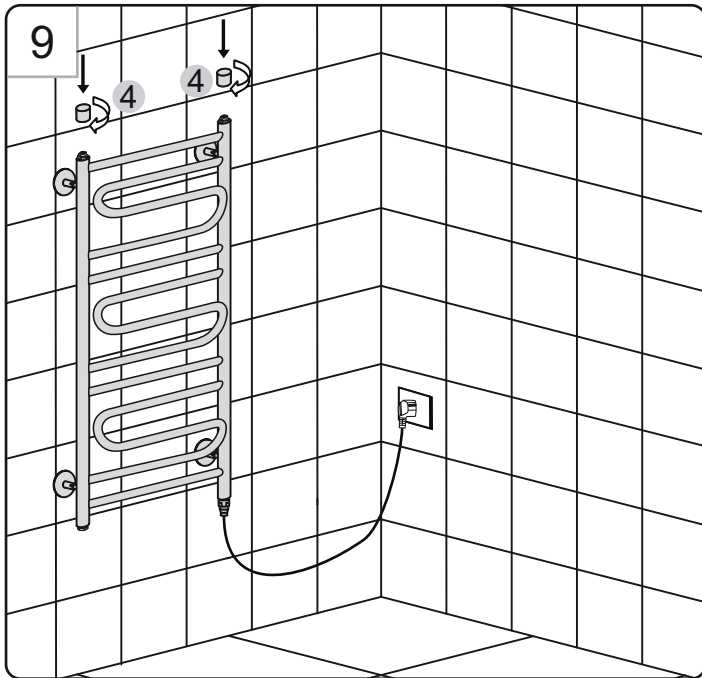
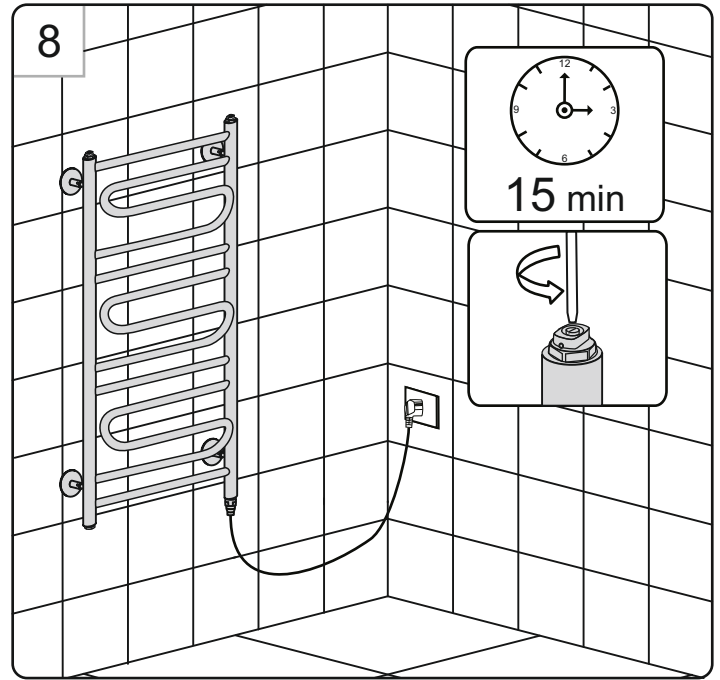
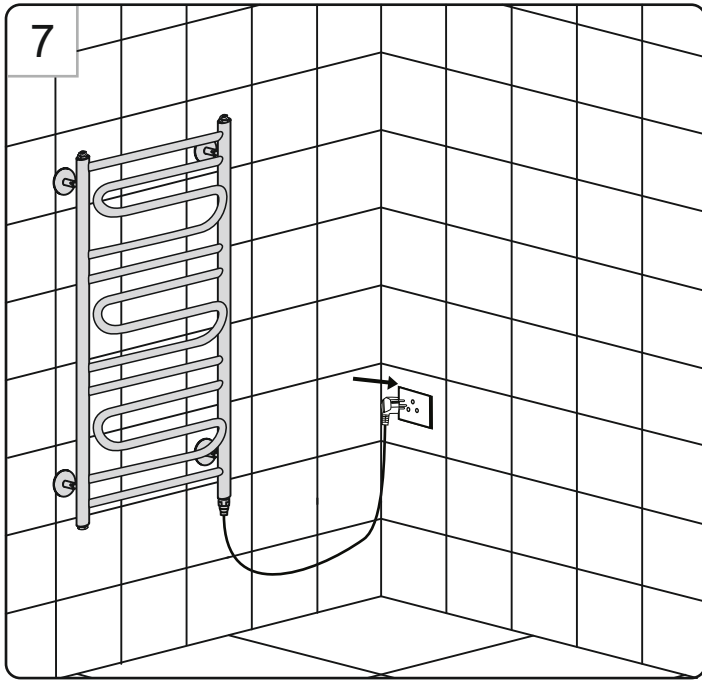


5



6





## After installation

.The outside of the radiator can be cleaned using warm soapy water. Do not use scouring powders or acid based products as these could damage the finish.

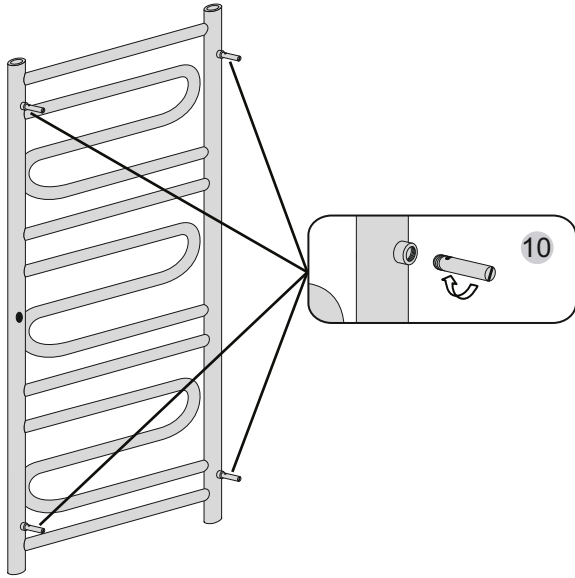
.It is recommend that the unit should be drained if it not in use and ambient temperature are below 0°C (32°F) to prevent damage from the filling freezing, to remove any oxidization.

.If the water temperature in the system exceeds 50°C (122°F), please install a warning mark near the radiator to avoid being scalded.

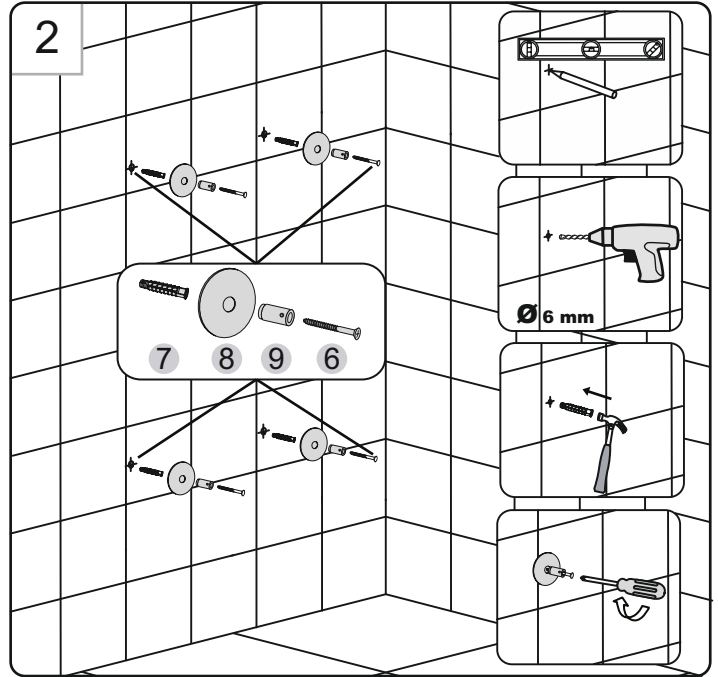
.This product should only be used with a maximum pressure of PN<= 2,5 MPa (25 kg/cm2, 25 Bar). Maximum heat carrier temperature t<=105°C (221°F).

# For The Central Water Heating System

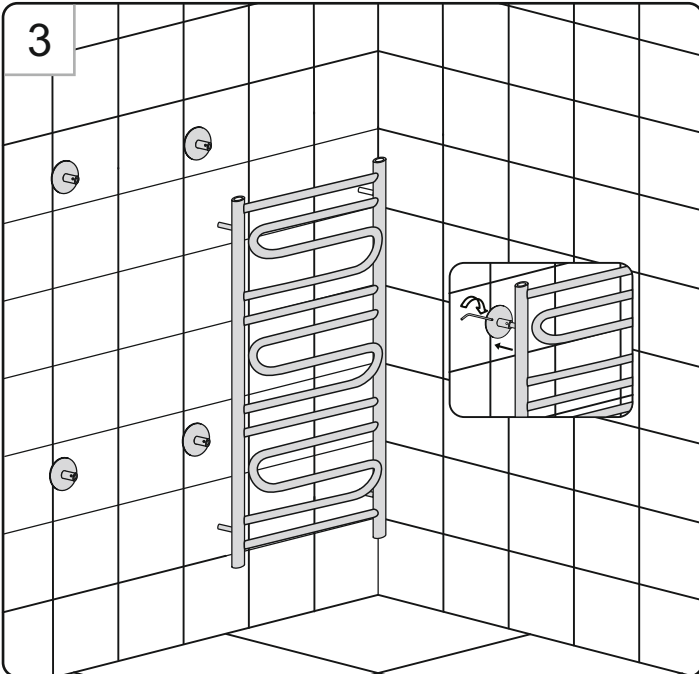
1



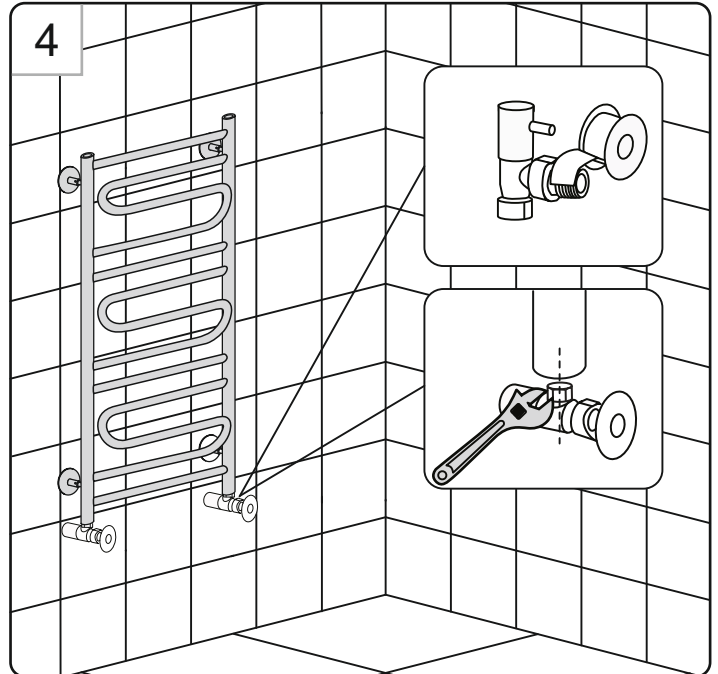
2



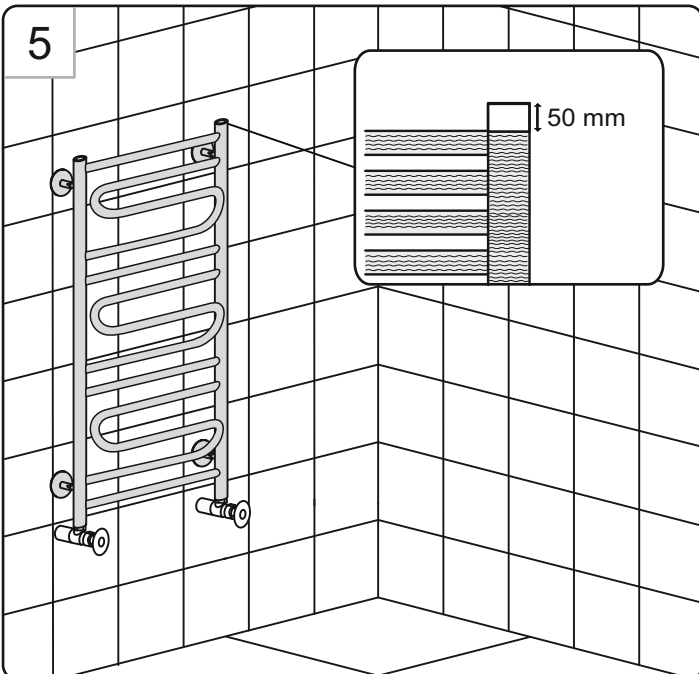
3



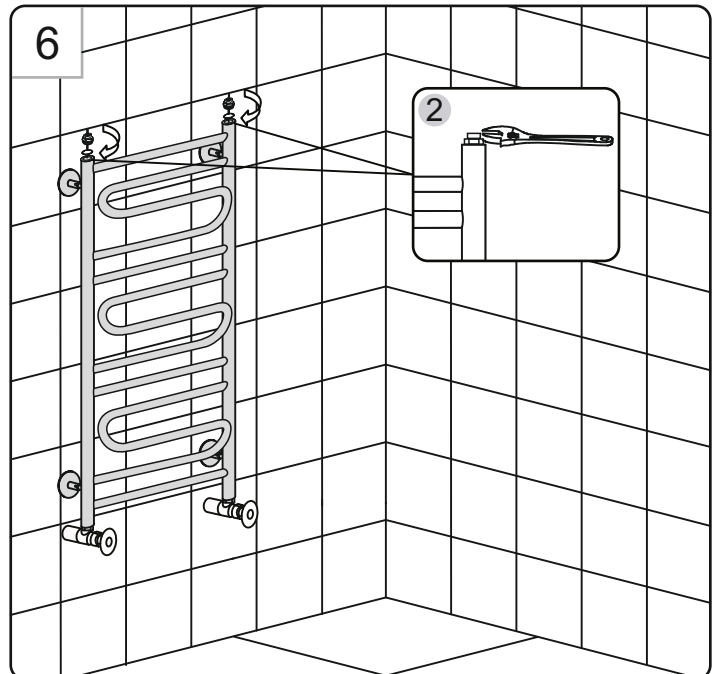
4

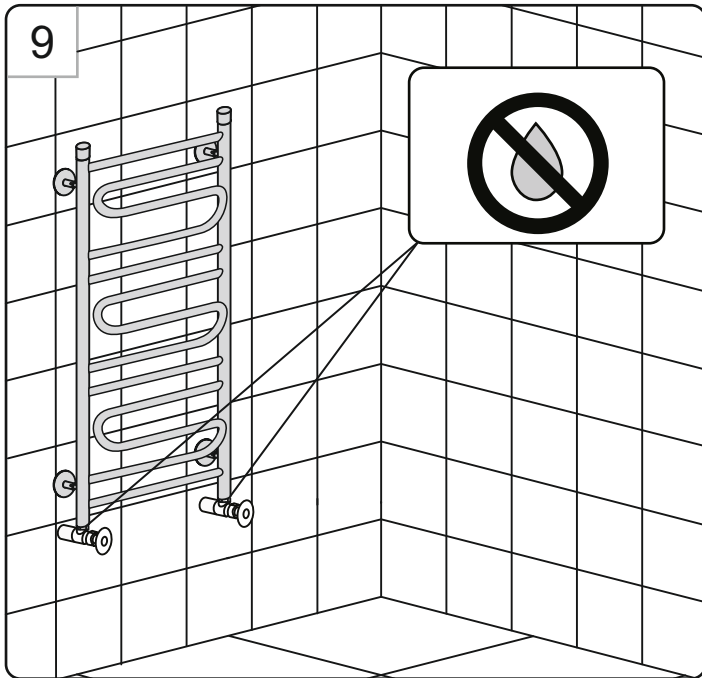
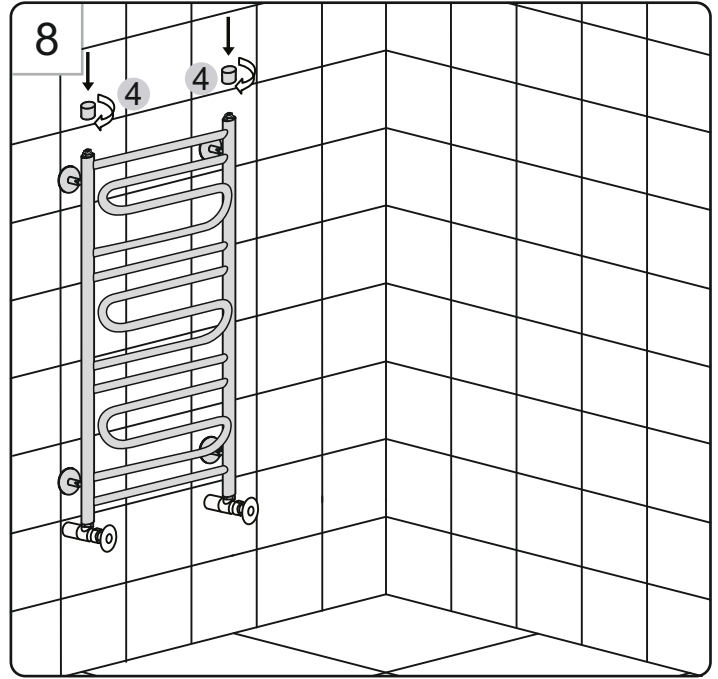
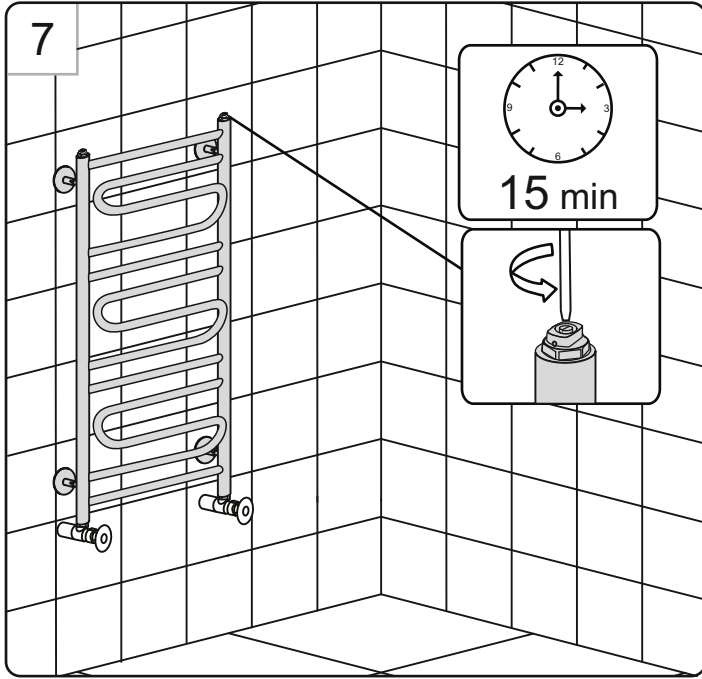


5



6





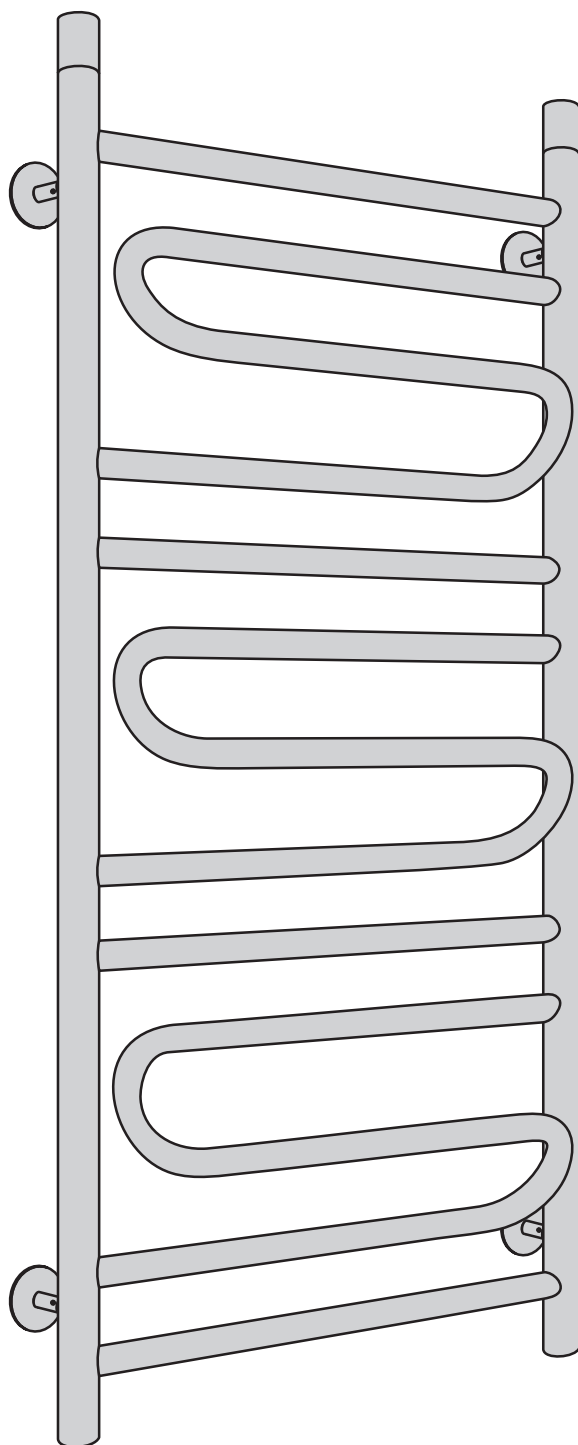
## After installation

.The outside of the radiator can be cleaned using warm soapy water. Do not use scouring powders or acid based products as these could damage the finish.


.It is recommend that the unit should be drained if it not in use and ambient temperature are below 0°C (32°F) to prevent damage from the filling freezing, to remove any oxidization.


.If the water temperature in the system exceeds 50°C (122°F), please install a warning mark near the radiator to avoid being scalded.


.This product should only be used with a maximum pressure of PN<= 2,5 MPa (25 kg/cm2, 25 Bar). Maximum heat carrier temperature t<=105°C (221°F).




# SEASIDE

035 166430   
info@noro.se

020 7435740   
info@norokylpyhuone.fi

216 28860   
info@noro.se

702 52822   
info@noro.dk