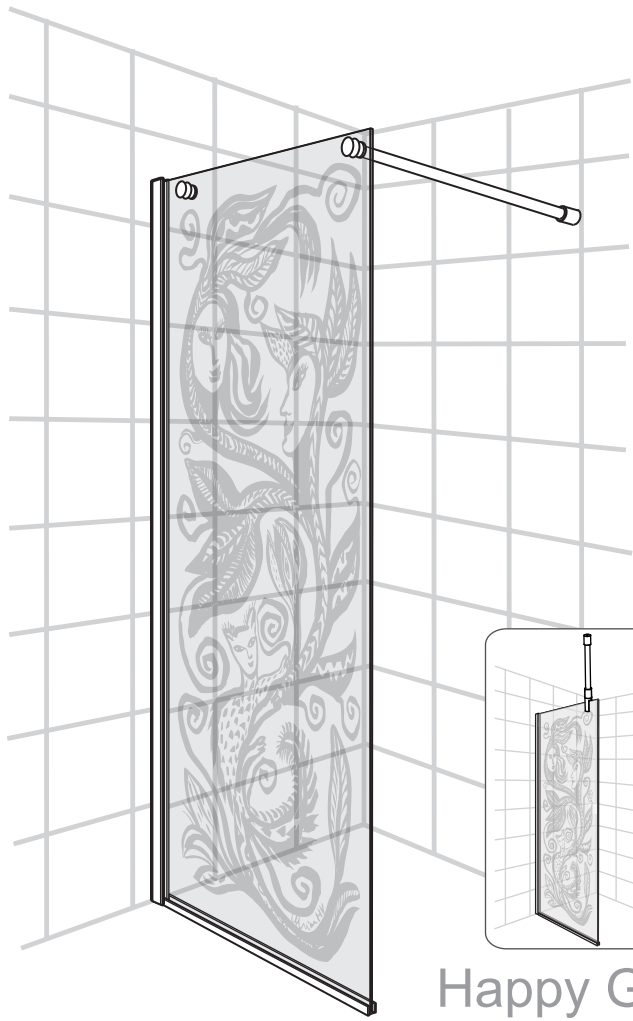
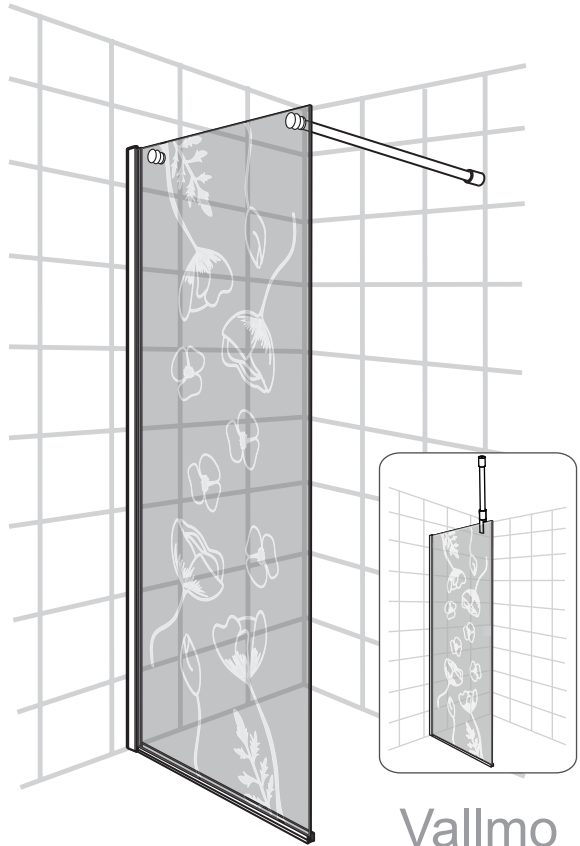
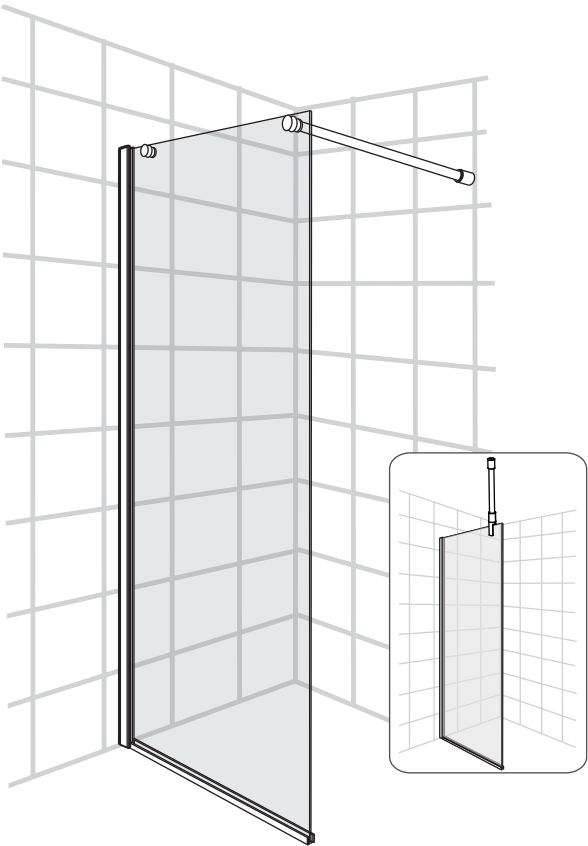


NORO®






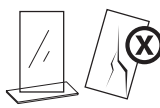


Happy Going



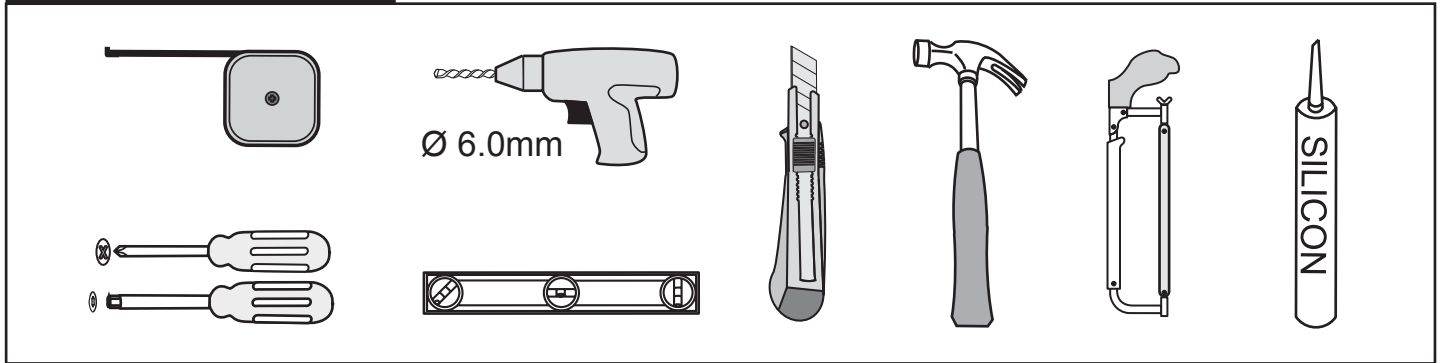
Vallmo

Frost DV

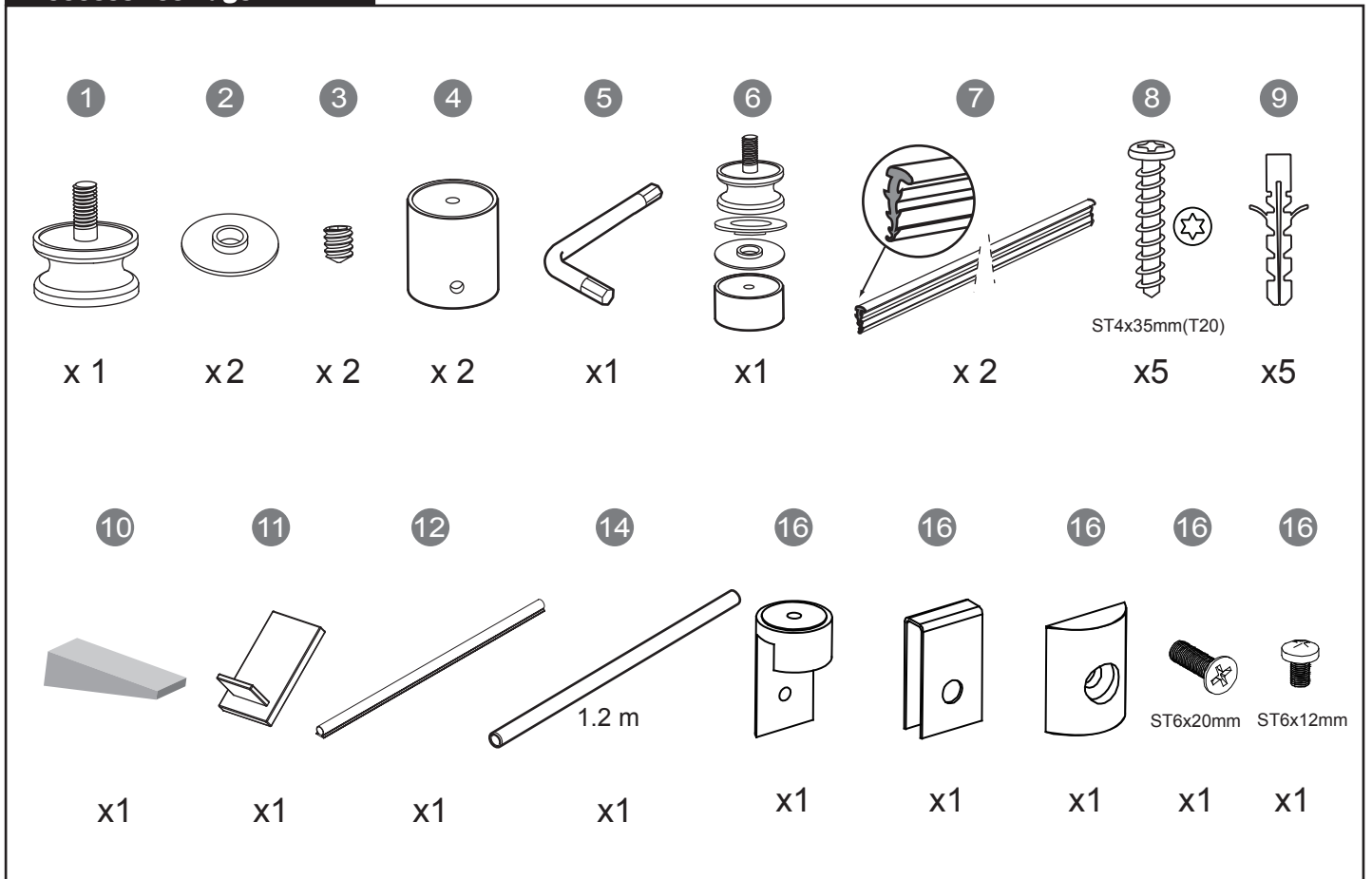
Getting Start:

 <p>EN14428</p>	<p>This product fulfils the EN14428 standard</p>		<p>Goggles are recommended to protect the eyes</p>
 <p>EN12150</p>	<p>All glass used are tempered security glass</p>		<p>Caution: Always Handle Glass With Care! Always protect the edges and corners of the glass when assembling.</p>
	<p>2 people are recommended to assemble this shower enclosure</p>		<p>Gloves are recommended to prevent slippery on glass</p>

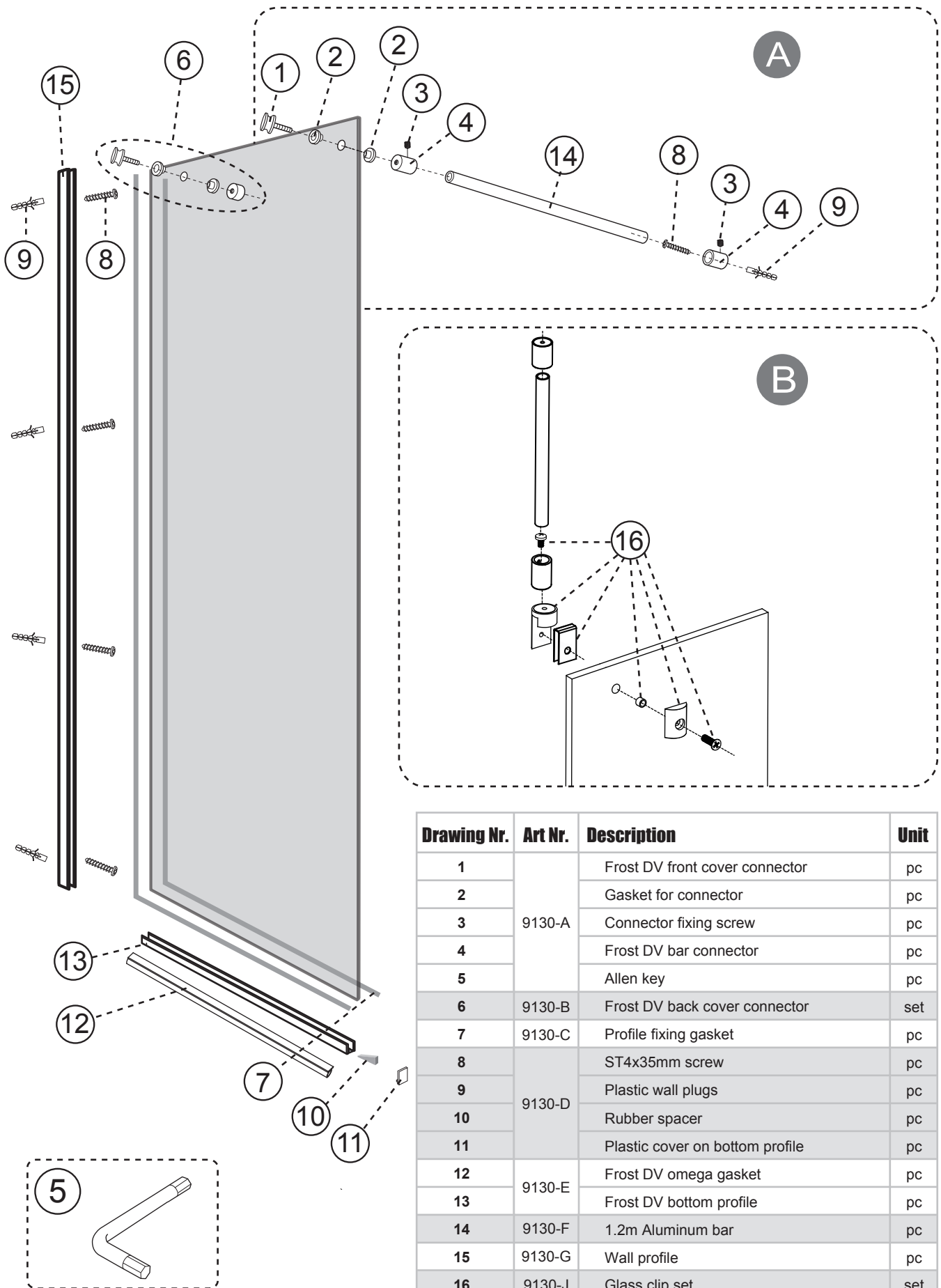
Tools Needed:



Accessories Bags:



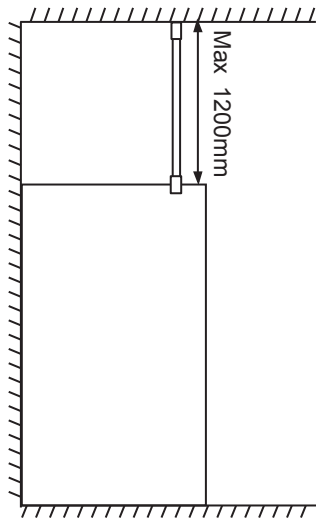
Exploded View:



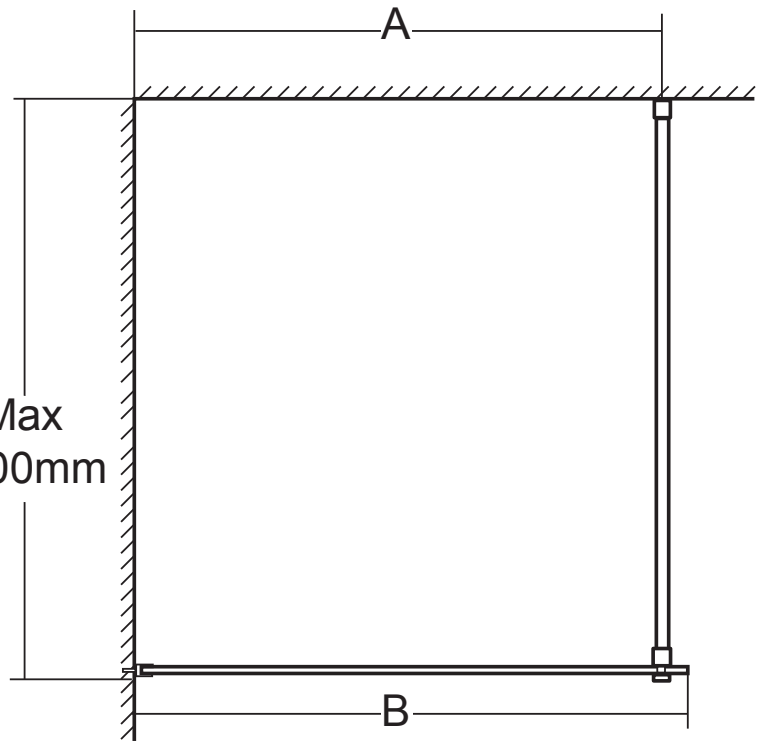
Drawing Nr.	Art Nr.	Description	Unit
1		Frost DV front cover connector	pc
2		Gasket for connector	pc
3	9130-A	Connector fixing screw	pc
4		Frost DV bar connector	pc
5		Allen key	pc
6	9130-B	Frost DV back cover connector	set
7	9130-C	Profile fixing gasket	pc
8		ST4x35mm screw	pc
9	9130-D	Plastic wall plugs	pc
10		Rubber spacer	pc
11		Plastic cover on bottom profile	pc
12	9130-E	Frost DV omega gasket	pc
13		Frost DV bottom profile	pc
14	9130-F	1.2m Aluminum bar	pc
15	9130-G	Wall profile	pc
16	9130-J	Glass clip set	set

Measurement:

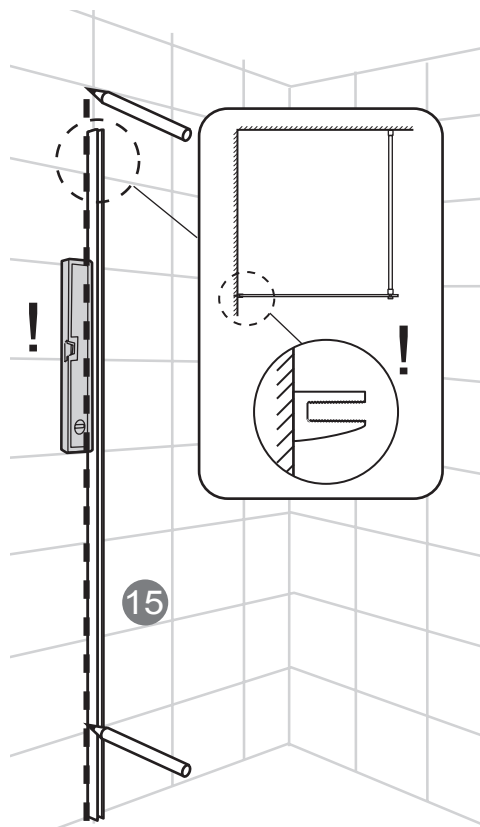
Model	A	B
70	651mm	700mm
80	751mm	800mm
90	851mm	900mm



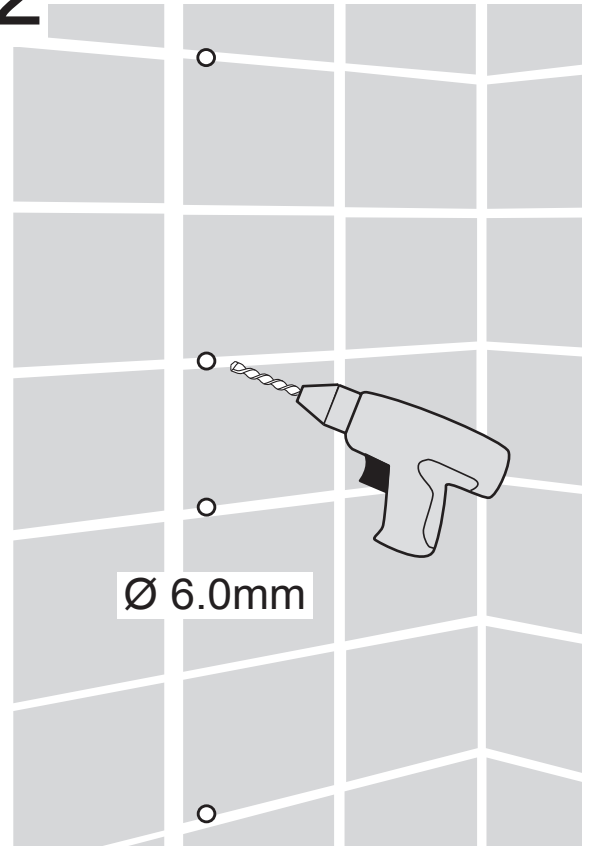
Max
1200mm

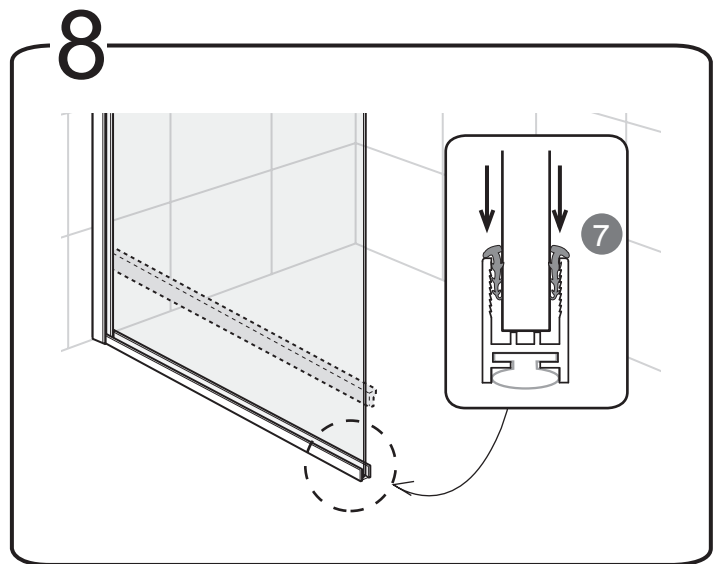
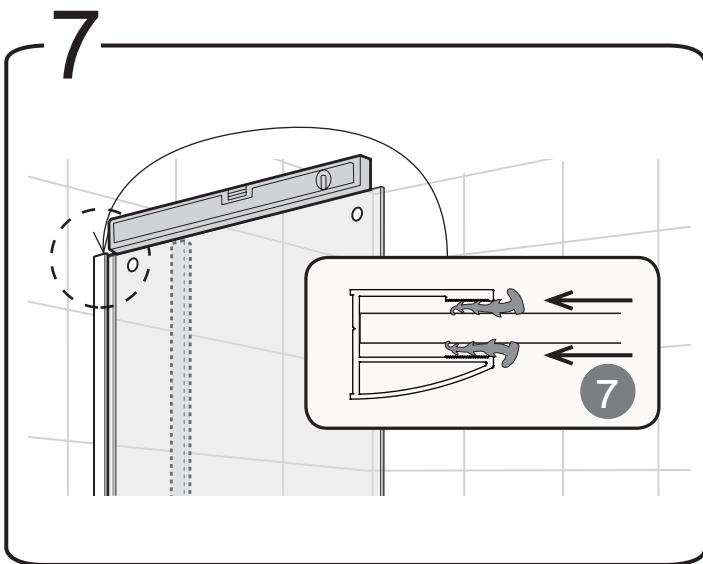
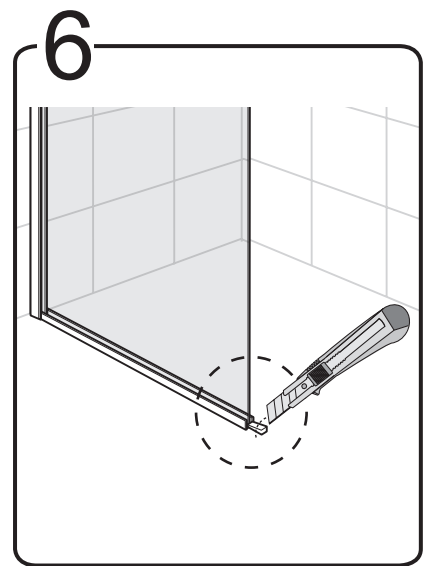
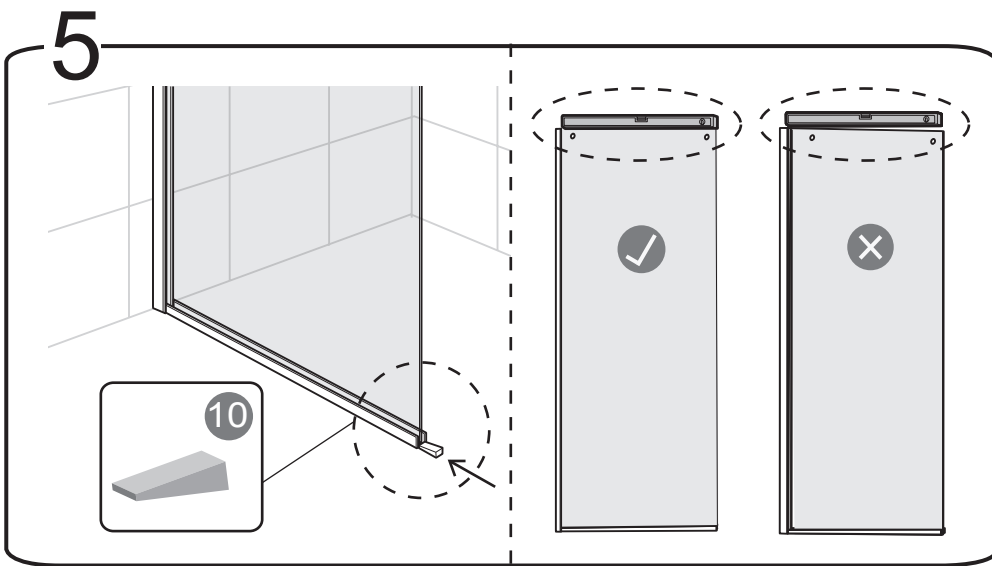
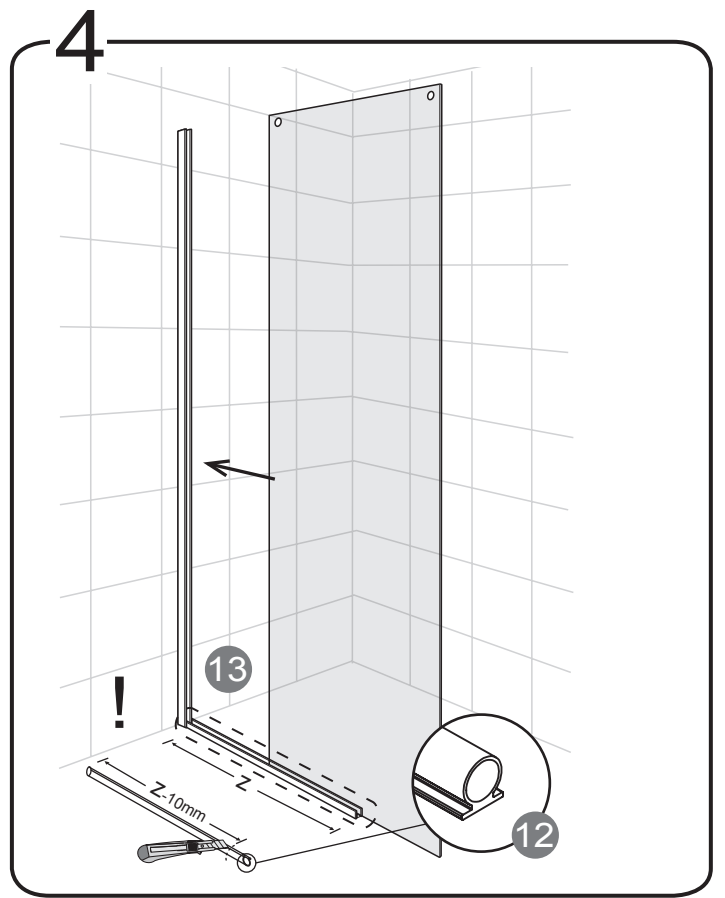
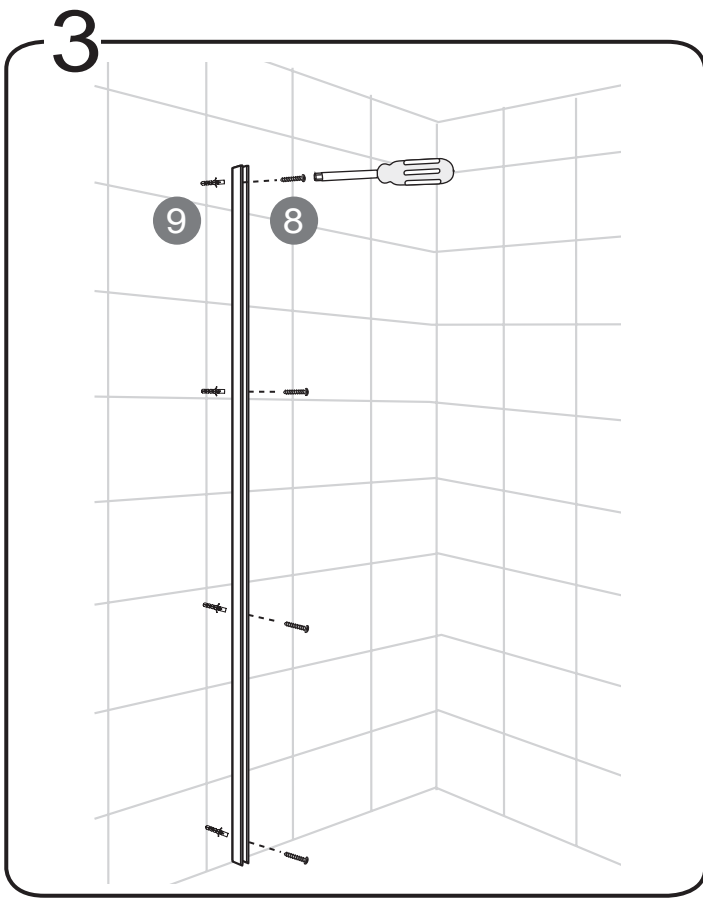


1

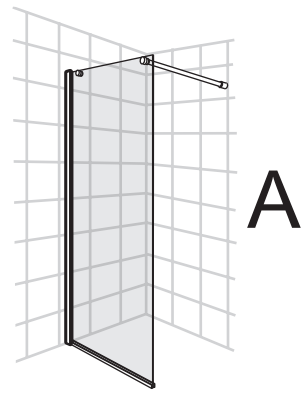
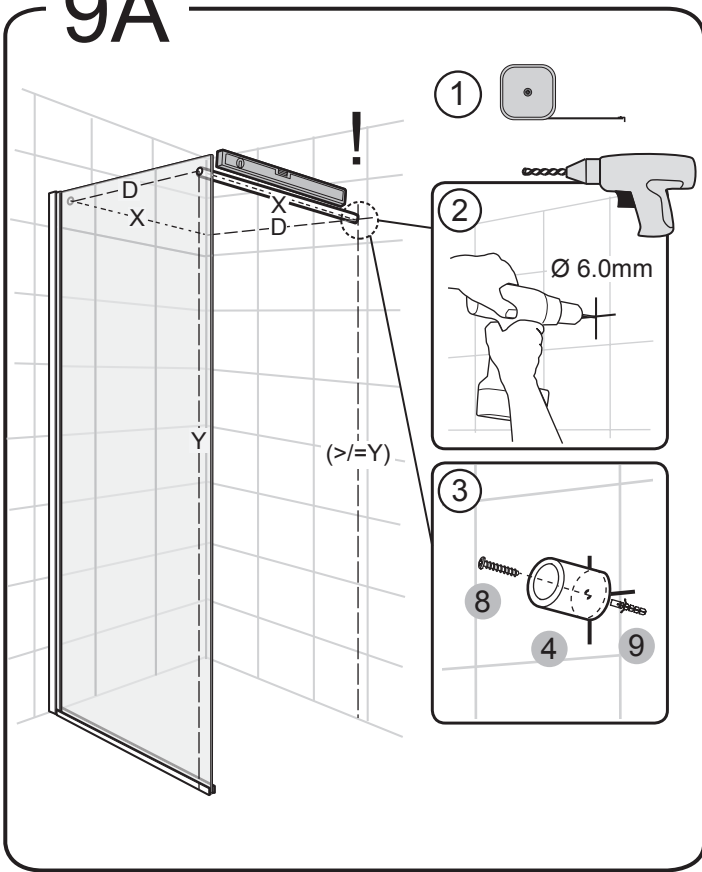


2

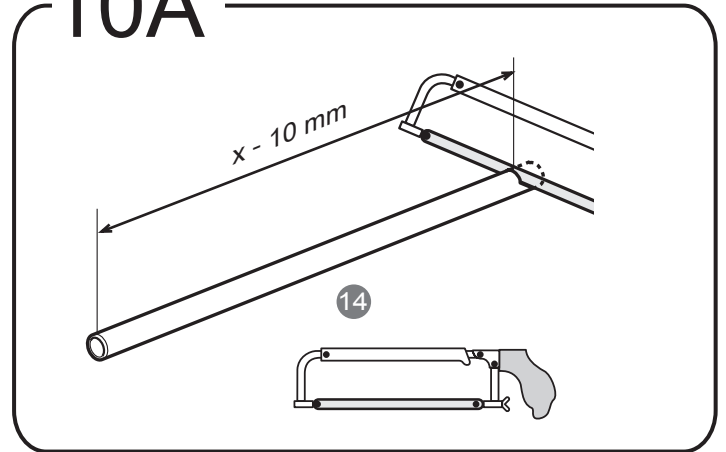




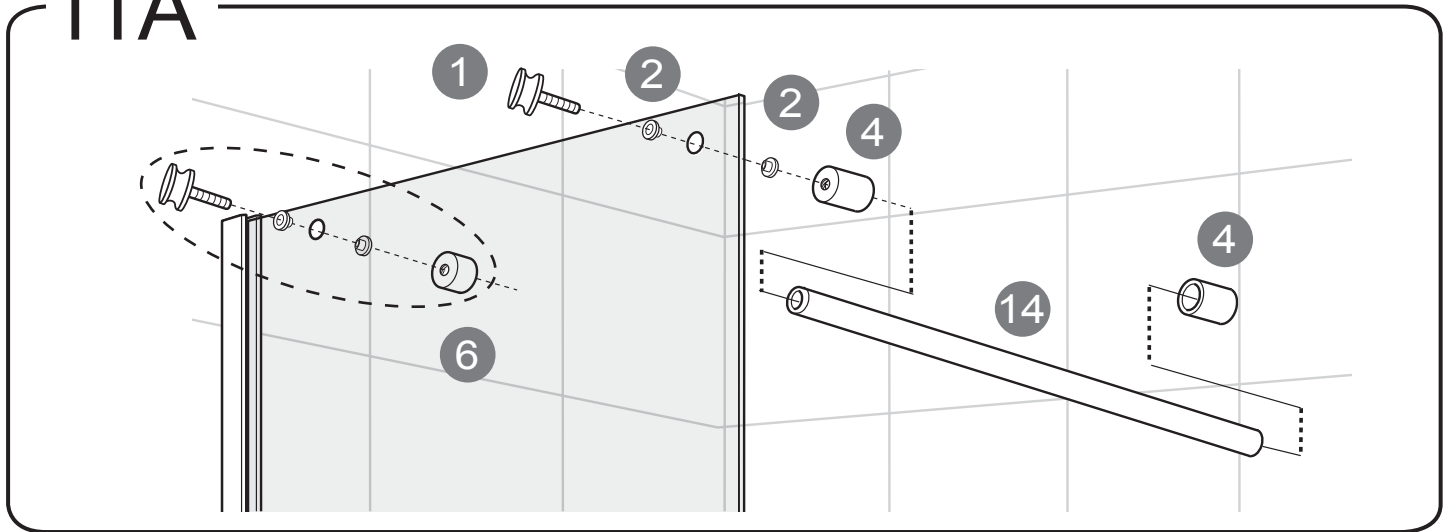
9A



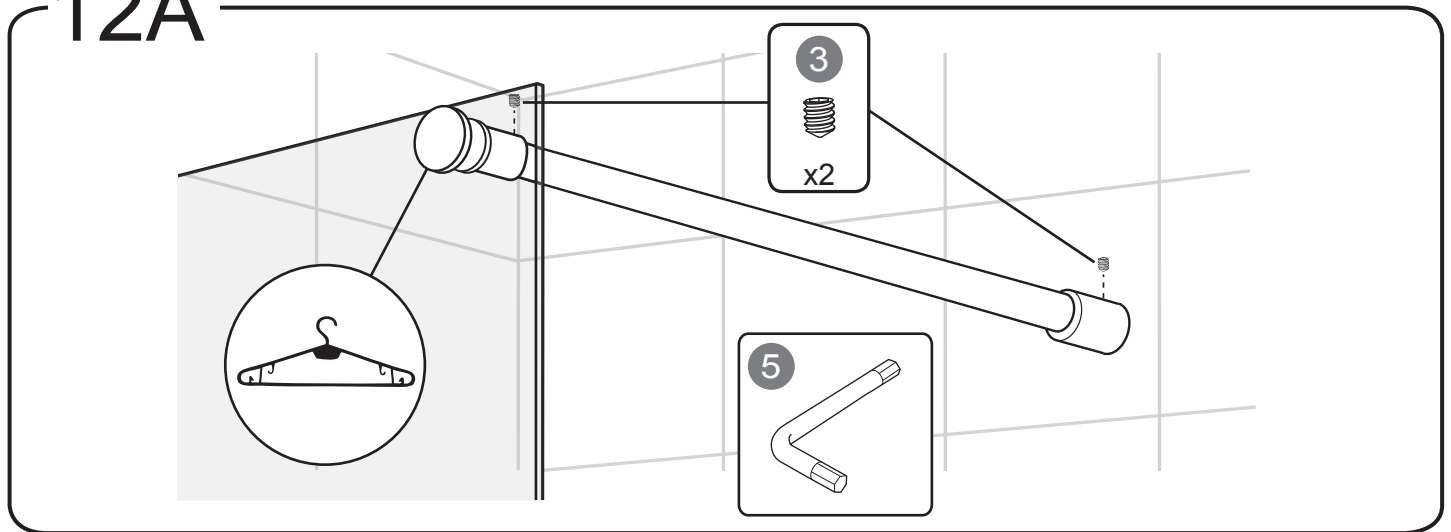
10A



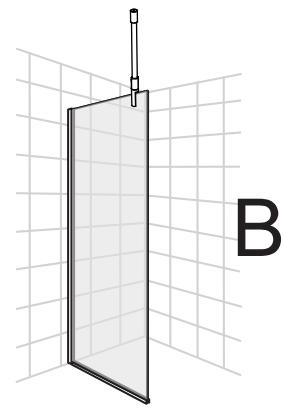
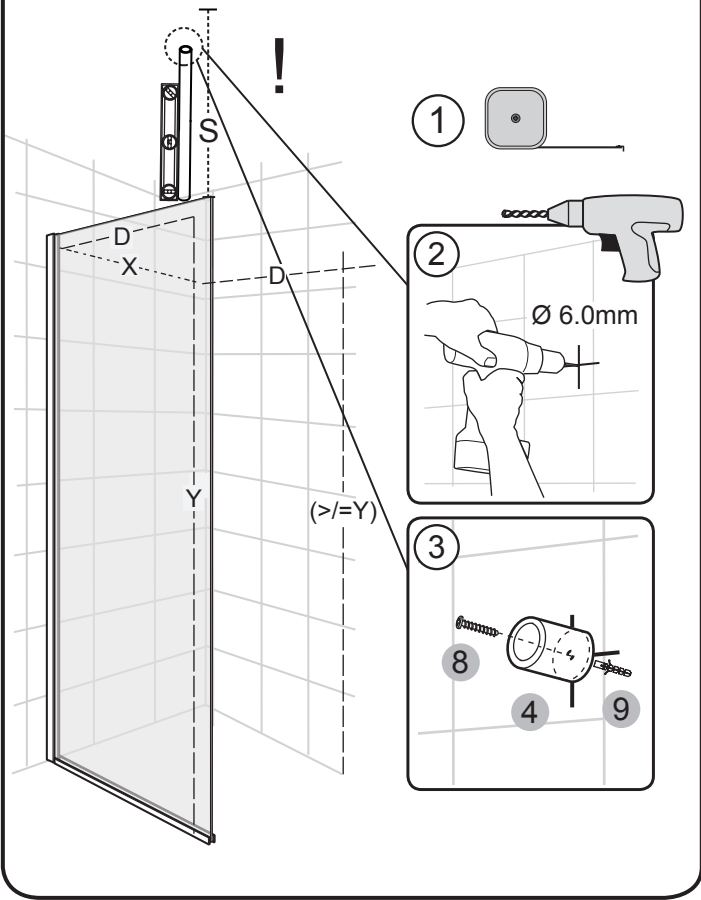
11A



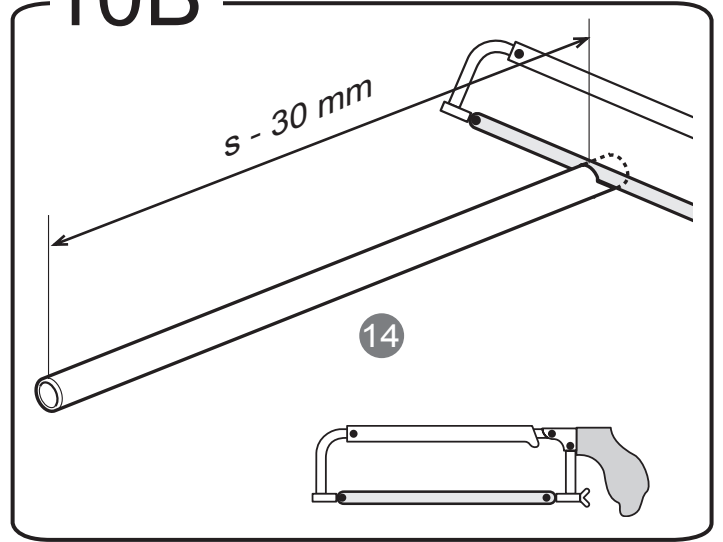
12A



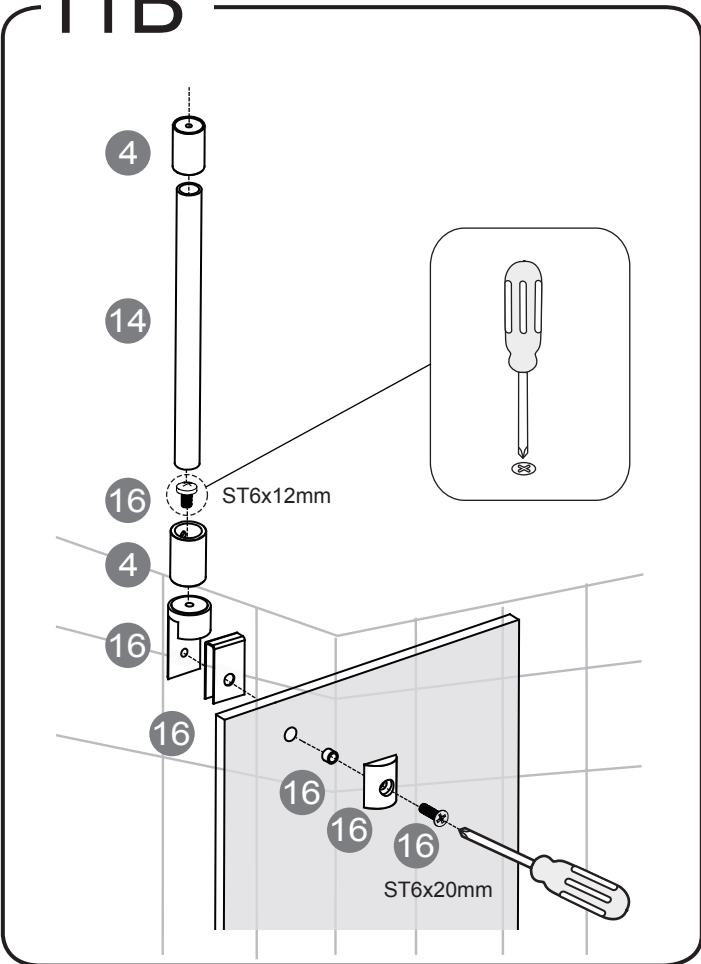
9B



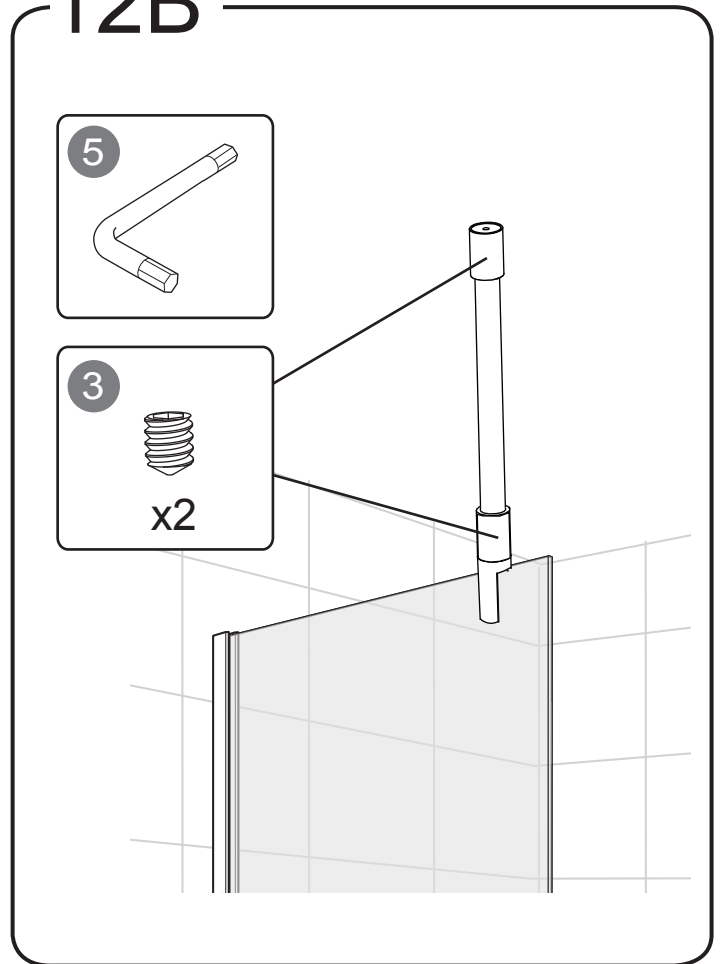
10B

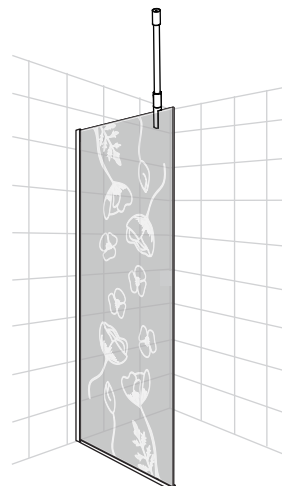
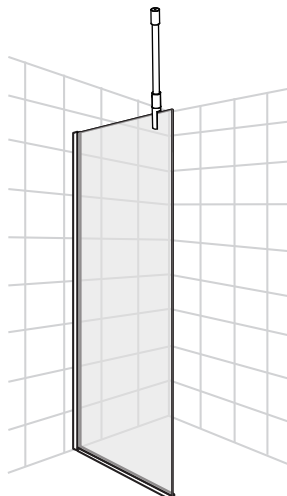
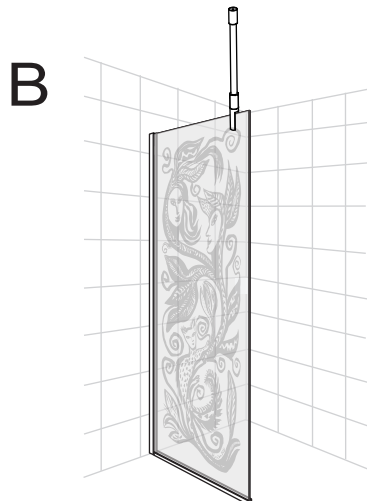
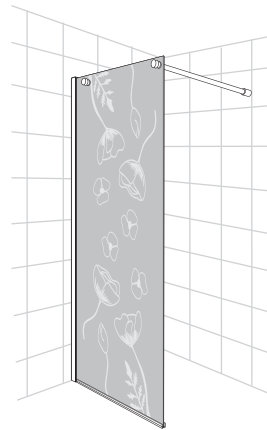
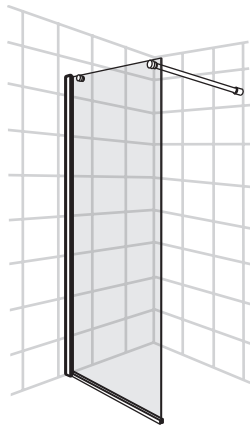
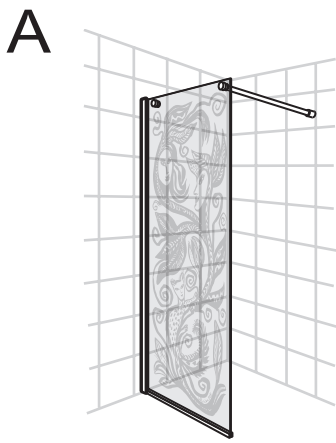
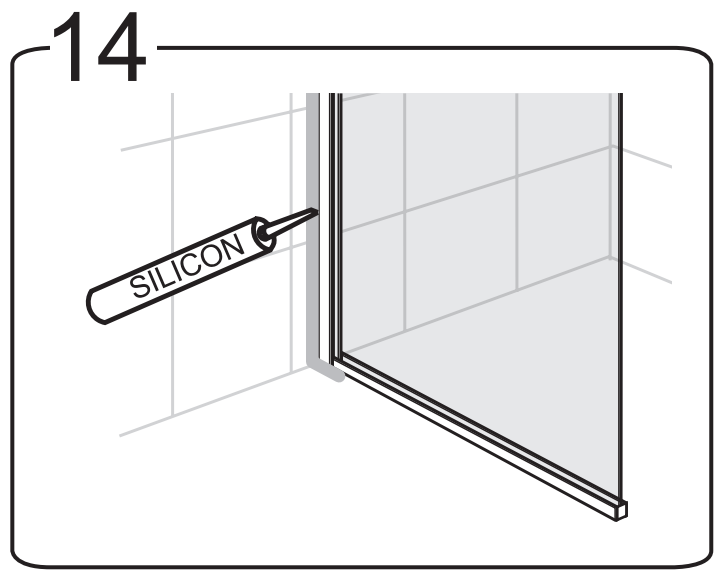
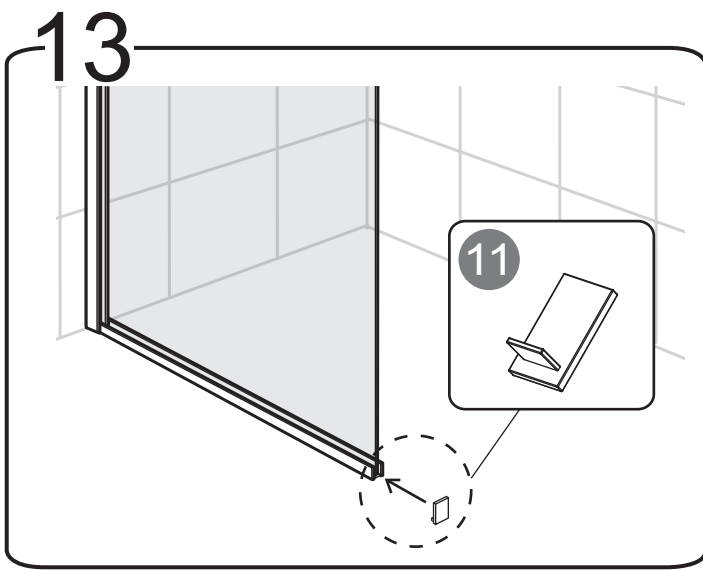


11B



12B





Frost DV

035 166430 **SE**
 info@noro.se

020 7435740 **FI**
 info@norokylpyhuone.fi

692 36170 **NO**
 info@noro.se

070 252822 **DK**
 info@noro.se