



Paulmann

### Safety Instructions

1, 2, 3, 4, 5, 6, 8, 9, 11, 13, 19,  
22, 23, 24, 25, 26, 27, 28, 33, 34



Info

[www.paulmann.com](http://www.paulmann.com)

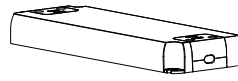
Paulmann Licht GmbH  
Quezinger Feld 2  
31832 Springe  
Germany

[www.paulmann.com](http://www.paulmann.com)

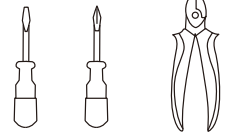
Art.-Nr.: 799.68  
799.69  
799.70  
799.71  
799.72



799.68/799.69/799.70/799.71/799.72



1X



(+MA 326) PLU 03/23



**A**

**! Safety Instructions Nr. 5**

off

**! Safety Instructions Nr. 13,22,23,26**

min. cm

**! Safety Icons**

min. 20cm

**! Power Supply 20W**  
Art.-Nr.: 799.68

**! Power Supply 40W**  
Art.-Nr.: 799.69

**! Power Supply 60W**  
Art.-Nr.: 799.70

**! Power Supply 100W**  
Art.-Nr.: 799.71

**! Power Supply 150W**  
Art.-Nr.: 799.72

**! Nr. 11**

**! Nr. 11**

**B**

**! Safety Instructions Nr. 5**

off

**! 24V-DC SEC**

**! 230V~ PRI**

H03VVH2-F  
H05VVH2-F

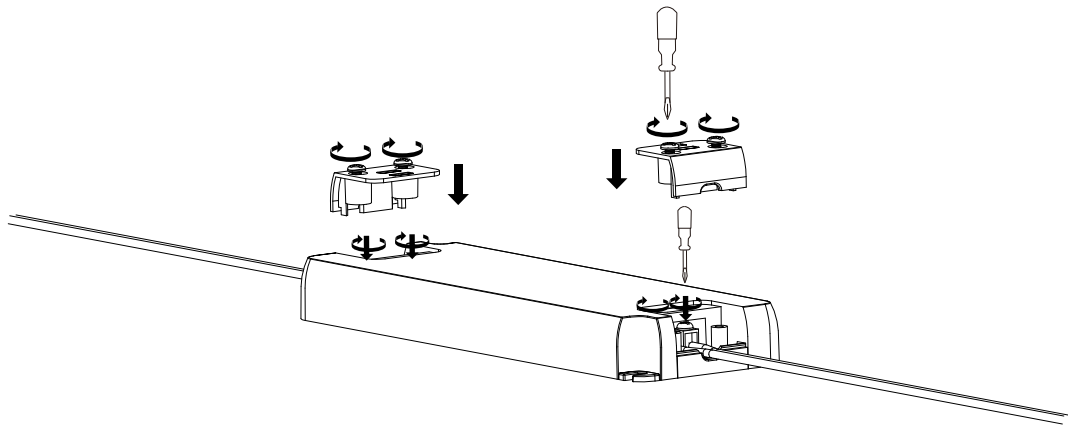
min. 2x 0,75mm<sup>2</sup>

**C**

**! ✓**

**! ✓**

**! ✗**

**D****E**